



**Department of
Design and
Construction**

**THE CITY OF NEW YORK
DEPARTMENT OF DESIGN AND CONSTRUCTION
DIVISION OF INFRASTRUCTURE**

30-30 THOMSON AVENUE
LONG ISLAND CITY, NEW YORK 11101-3045
TELEPHONE (718) 391-1000
WEBSITE www1.nyc.gov/site/ddc/index.page

VOLUME 1 OF 3

LAW

BID BOOKLET

FOR FURNISHING ALL LABOR AND MATERIALS NECESSARY AND REQUIRED FOR:

PROJECT ID: SEQ200490

**CONSTRUCTION OF STORM SEWER AND WATER MAIN IN
95TH STREET
BETWEEN 160TH AVE. AND 162ND AVE., ETC.**

Together With All Work Incidental Thereto
**BOROUGH OF QUEENS
CITY OF NEW YORK**

FOR THE DEPARTMENT OF ENVIRONMENTAL PROTECTION
PREPARED BY
IN-HOUSE DESIGN

October 24, 2017



8-033

Bid Tab – REVISED*

Description	CONSTRUCTION OF STORM SEWER AND WATER MAIN IN 95TH STREET BETWEEN 160TH AVE. & 162ND AVE., ETC. - BOROUGH OF QUEENS		
Bid Date	01/16/2018	FMS ID	SEQ200490
Estimated Cost	\$9,010,933.00*	Client Agency	DEP
Bid Security	Not less than 2% of Total Bid Price	PLA	No
Time Allowed	910 CCD	Contract Manager	Nilofer Rajput
Addendum	3	Project Manager	Alla Geyman
PIN	8502016SE0034C	E-PIN	85018B0057
Selective Bidding	<input type="checkbox"/> Yes <input checked="" type="checkbox"/> No	Funding	City

Bid Rank	Vendor	Bid Amount	Security Type
1	PAUL J. SCARIANO INC.	\$9,745,979.71	Bond
2	C.A.C. INDUSTRIES, INC.	\$10,871,788.50	Bond
3	HUICATAO CORP	\$10,876,543.00	Bond
4	A.L.A.C. CONTRACTING CORP.	\$11,111,111.11	Bond
5	NYCC JPL JV	\$11,924,333.00	Bond
6	JR CRUZ CORP	\$12,499,072.04	Bond
7	TRIUMPH CONSTRUCTION CORP.*	\$15,379,299.62	Bond
8	AKELA CONTRACTING LLC.*	\$17,382,913.00*	Bond

Recorder: Laverne Clarke ext. 1873

Approver: *Sorani Holley*

Justin Walter
Chief Administrative Officer
Administration

April 24, 2018

CERTIFIED MAIL - RETURN RECEIPT REQUEST

PAUL J. SCARIANO INC.
12 POTTER AVENUE
NEW ROCHELLE, NY 10801

RE: FMS ID: SEQ200490
E-PIN: 85018B0057001
DDC PIN: 8502016SE0034C
CONSTRUCTION OF STORM SEWER
AND WATER MAIN IN 95TH STREE
BETWEEN 160TH AVE & 162ND AVE,
ETC.-BOROUGH OF QUEENS
NOTICE OF AWARD

Dear Contractor:

You are hereby awarded the above referenced contract based upon your bid in the amount of \$9,745,979.71 submitted at the bid opening on January 16, 2018. Within ten (10) days of your receipt of this notice of award, you are required to take the actions set forth in Paragraphs (1) through (3) below. For your convenience, attached please find a copy of Schedule A of the General Conditions to the Contract, which sets forth the types and amounts of insurance coverage required for this contract.

- (1) Execute two copies of the Agreement in the Contracts Unit, 30-30 Thomson Avenue, 1st Floor, Long Island City, New York (IDCNY Building). A Commissioner of Deeds will be available to witness and notarize your signature. The Agreement must be signed by an officer of the corporation or a partner of the firm.
- (2) Submit to the Contracts Unit two properly executed performance and payment bonds. If required for this contract, copies of performance and payment bonds are attached.
- (3) Submit to the Contracts Unit the following insurance documentation: (a) original certificate of insurance for general liability in the amount required by Schedule A, and (b) original certificates of insurance or other proof of coverage for workers' compensation and disability benefits, as required by New York State Law. The insurance documentation specified in this paragraph is required for registration of the contract with the Comptroller's Office.



**Department of
Design and
Construction**

On or before the contract commencement date, you are required to submit all other certificates of insurance and/or policies in the types and amounts required by Schedule A. Such certificates of Insurance and/or policies must be submitted to the Agency Chief Contracting Office, Attention: Risk Manager, Fourth Floor at the above indicated department address.

Your attention is directed to the section of the Information for Bidders entitled "Failure to Execute Contract". As indicated in this section, in the event you fail to execute the contract and furnish the required bonds within the (10) days of your receipt of this notice of award, your bid security will be retained by the City and you will be liable for the difference between your bid price and the price for which the contract is subsequently awarded, less the amount of the bid security retained.

Sincerely,

A handwritten signature in black ink, appearing to read 'Michael Shipman', written over a horizontal line.

Michael Shipman
Director of Contracts

Notices to Bidders

Pre-Bid Questions (PBQs)

Please be advised that PBQs should be submitted to the Agency Contact Person (CSB_projectinquiries@ddc.nyc.gov) at least five (5) business days (by 5:00 PM EST) prior to the bid opening date as indicated in ATTACHMENT 1 - BID INFORMATION, page A-1 and SCHEDULE B, page 13, VOLUME 1 OF 3 of this BID BOOKLET.

All PBQs must reference the Project ID. If a Bidder has multiple PBQs for the same Project ID, the PBQs must be numbered sequentially, even if they are submitted separately.

Apprenticeship Program

If Apprenticeship Program is required as noted on Page 19 of this BID BOOKLET, the following notice applies:

Please be advised that, pursuant to the authority granted to the City under Labor Law §816-b, the New York City Department of Design and Construction hereby requires that the contractor awarded a contract as a result of this solicitation, and any of its subcontractors with subcontracts worth two million dollars or over, have, prior to entering into such contract or subcontract, apprenticeship agreements appropriate for the type and scope of work to be performed that have been registered with, and approved by, the New York State Commissioner of Labor. In addition, the contractor and its subcontractors will be required to show that such apprenticeship program/s have successfully passed the two year Probation period following the initial registration date of such program/s with the New York State Department of Labor.

The failure to prove, upon request, that these requirements have been met shall result in the contract not being awarded to the contractor or the subcontractor not being approved.

Please be further advised that, pursuant to Labor Law §220, the allowable ratio of apprentices to journeypersons in any craft classification shall not be greater than the ratio permitted to the contractor as to its workforce on any job under the registered apprenticeship program.

Notices to Bidders

PASSPort Disclosure Filing

All vendors that intend to do business with the City of New York must complete a disclosure process in order to be considered for a contract. This disclosure process was formerly completed using Vendor Information Exchange System (VENDEX) paper-based forms. Beginning in summer 2017, the City of New York will move collection of vendor disclosure information online. In early August 2017, the New York City Mayor's Office of Contract Services (MOCS) launched the **Procurement and Sourcing Solutions Portal (PASSPort)**, a new online procurement system that will replace the paper-VENDEX process. In anticipation of awards, all bidders must create online accounts in the new PASSPort system, and file all disclosure information when the system becomes available. **Paper submissions, including certifications of no changes to existing VENDEX packages will not be accepted in lieu of complete online filings.**

Vendors that fall into any of the following categories are encouraged to complete early enrollment in August 2017:

- Have a pending award with a City Agency; or
- Hold a current contract with a City Agency and have either an expiring VENDEX or expiring Certificate of No Change; and
- Currently working on an Agency-prioritized paper submission that may not be fully complete and delivered to MOCS before late July 2017.

The Department of Design and Construction (DDC) and the Mayor's Office of Contract Services (MOCS) will notify all proposers when the PASSPort system becomes available and it is time to file, and disclosure filing completion will be required prior to any award through this competitive bid. After PASSPort launches, you will be able to register for training and log in. Prior to launch, you may sign up for one of the weekly briefings offered by MOCS.

Q: Who should enroll in PASSPort and to access the PASSPort website, please visit nyc.gov/passport. Contact MOCS at passport@mocs.nyc.gov for additional information and technical support.

Notices to Bidders

NYC Construction Loan Pilot Program

The New York City Department of Small Business Services (SBS), in conjunction with the New York Business Development Corporation (NYBDC), have established a **NYC Construction Loan** pilot program to provide prime contractors and subcontractors financing for mobilization costs on certain City construction projects.

Under this initiative, loans are available for early stage mobilization needs such as insurance, labor, supplies and equipment. Bidders are strongly encouraged to visit "Growing Your Business" at www.nyc.gov/nycbusiness to learn more about the loan or contact constructionloan@sbs.nyc.gov / (212) 513-6444 to obtain details and to determine preliminary eligibility.

A successful loan applicant will be required to make an assignment of its contract (or subcontract) payments to the lender NYBDC until the loan is repaid. If the loan is to a subcontractor, a prime contractor must honor the terms of such an assignment.

A prime contractor may not discriminate against a subcontractor or potential subcontractor by reason of the subcontractor's participation, or nonparticipation, in the NYC Construction loan program.

Notices to Bidders

(NO TEXT THIS PAGE)

CITY OF NEW YORK
DEPARTMENT OF
DESIGN AND CONSTRUCTION
DIVISION OF INFRASTRUCTURE

BID BOOKLET

FOR FURNISHING ALL LABOR AND MATERIALS NECESSARY AND
REQUIRED FOR:

PROJECT ID: SEQ200490

CONSTRUCTION OF STORM SEWER AND WATER MAIN IN
95TH STREET
BETWEEN 160TH AVE. AND 162ND AVE., ETC.

Together With All Work Incidental Thereto
BOROUGH OF QUEENS
CITY OF NEW YORK

NO TEXT ON THIS PAGE

CITY OF NEW YORK
DEPARTMENT OF DESIGN AND CONSTRUCTION
DIVISION OF INFRASTRUCTURE

BID BOOKLET

TABLE OF CONTENTS

SECTION	PAGE
PART A	
1. Table of Contents.....	1
2. Special Notice to Bidders.....	2
3. Attachment 1 – Bid Information.....	A-1
4. Bid Schedule.....	B-1
5. Bid Form.....	C-1
6. Affirmation.....	C-6
7. Bid Bond	C-7
8. M/WBE Program: M/WBE Utilization Plan.....	5
9. Apprenticeship Program Requirements	19
PART B	
10. Safety Questionnaire	22
11. Pre-award Process.....	25
12. Project Reference Form.....	27
13. Contract Certificate.....	30
14. Vendex Compliance.....	31
15. Iran Divestment Act Compliance Rider	32
16. Construction Employment Report.....	34

(NO TEXT ON THIS PAGE)

**CITY OF NEW YORK
DEPARTMENT OF DESIGN AND CONSTRUCTION
DIVISION OF INFRASTRUCTURE**

SPECIAL NOTICE TO BIDDERS

BID SUBMISSION REQUIREMENTS

THE FOLLOWING DOCUMENTS ARE TO BE COMPLETED AND SUBMITTED WITH THE BID:

1. Bid Schedule and Bid Form, including Affirmation
2. Bid Security (if required, see Attachment 1 on Page A-1)
3. Schedule B: M/WBE Utilization Plan (if participation goals have been established)

**FAILURE TO SUBMIT ITEMS (1), (2) AND (3)
WILL RESULT IN THE DISQUALIFICATION OF THE BID.**

4. Safety Questionnaire
5. Construction Employment Report (if bid is \$1,000,000 or more)
6. Contract Certificate (if bid is less than \$1,000,000)
7. Confirmation of Vendex Compliance
8. Bidder's Certification of Compliance with Iran Divestment Act
9. Special Experience Requirements (if applicable)
10. Apprenticeship Program Questionnaire (if applicable)
11. Any addenda issued prior to the receipt of bids

**FAILURE TO SUBMIT ITEMS (4) THROUGH (11)
MAY RESULT IN THE DISQUALIFICATION OF THE BID.**

NOTES:

(1) All of the above referred to blank forms to be completed and submitted with the bid are included in the BID BOOKLET.

(2) If the bidder has any questions or requires additional information, please contact the Department of Design and Construction by phone (718-391- 2601) or by fax (718-391-2627).

(3) **VENDEX QUESTIONNAIRES:** The Bidder is advised that Vendex Questionnaires and procedures have been changed. Vendex Questionnaires, as well as detailed instructions, may be obtained at www.nyc.gov/vendex. The bidder may also obtain Vendex forms and instructions by contacting the Agency Chief Contracting Officer or the contact person for this contract.

(4) **SPECIAL EXPERIENCE REQUIREMENTS:** The Bidder is advised that Special Experience Requirements may apply to this contract. Such requirements are set forth on pages 3, 3a, 3b, and 4 of this Bid Booklet.

SPECIAL NOTICE TO BIDDERS

SPECIAL EXPERIENCE REQUIREMENTS (Revised 03/2014)

- (A) **SPECIAL EXPERIENCE REQUIREMENTS FOR THE BIDDER:** The Special Experience Requirements set forth below apply to the bidder. Compliance with such Special Experience Requirements will be determined solely by the City prior to an award of contract. Failure to comply with the Special Experience Requirements will result in rejection of the bid as non-responsive.

The requirements in this Section (A) apply to this contract where indicated by a blackened box (■).

- The bidder must, within the last seven (7) consecutive years prior to the bid opening, have successfully completed in a timely fashion at least one (1) project similar in scope and type to the required work. Such prior project may have been performed as a prime contractor, subcontractor or sub-subcontractor.

The Special Experience Requirements next to the blackened box below apply to the bidder. If the bidder intends to perform such work itself, it must demonstrate compliance with the Special Experience Requirements. If the bidder intends to subcontract this work, the proposed subcontractor or sub-subcontractor must demonstrate compliance with the Special Experience Requirements. The contractor, subcontractor or sub-subcontractor (hereinafter referred to as the "entity") that will perform any specific area of work indicated by the blackened box below, may have performed the required prior project(s) as a prime contractor, subcontractor or sub-subcontractor. Once approved, no substitution will be permitted, unless the qualifications of the proposed replacement have been approved in writing in advance by the City.

- Trunk Water Main Work:** The entity that will perform the trunk water main work must, within the last seven (7) consecutive years prior to the bid opening, have successfully completed in a timely fashion at least one (1) project similar in scope and type to the required work.
- **Best Management Practice Work:** Best Management Practice ("BMP") Work is any item of work in the Bid Schedule that begins with the prefix "BMP". The entity that will perform any BMP Work must, within the last five (5) consecutive years prior to the bid opening, have successfully completed in a timely fashion at least three (3) projects similar in scope and type to the required work.

For professional services in connection with BMP Work, (i.e., monitoring and reporting services), the individual who will perform the required services must, within the last five (5) consecutive years prior to the bid opening, have successfully completed in a timely fashion at least three (3) projects similar in scope and type to the required work. Additional requirements are set forth below.

- The individual serving as the Restoration Specialist (Construction Monitor) must be a Registered Landscape Architect licensed by the state of New York, or must have equivalent professional experience.
- The individual serving as the Erosion and Sediment Control Licensed/Certified Professional must be a Certified Professional in Erosion and Sediment Control (CPESC), certified by CPESC, Inc.
- Micro-Tunneling/Pipe Jacking Work:** The entity that will perform the micro-tunneling/pipe jacking work must, within the last five (5) consecutive years prior to the bid opening, have successfully completed in a timely fashion at least two (2) projects similar in scope and type to the required work.
- OTHER:** _____

*

(B) **SPECIAL EXPERIENCE REQUIREMENTS FOR SPECIFIC AREAS OF WORK (to be provided after an award of contract):**

The requirements in this Section (B) apply to this contract where indicated by a blackened box (■).

The Special Experience Requirements set forth below apply to the contractor, subcontractor or sub-subcontractor that will perform the specific area of work. **Compliance with such Special Experience Requirements will be determined solely by the City after an award of contract.** After an award of contract, when requested by the City, the contractor will be required to submit the qualifications of the contractor, subcontractor or sub-subcontractor that will perform the specific area of work. If the bidder intends to perform such work itself, it must demonstrate compliance with the Special Experience Requirements. If the bidder intends to subcontract this work, the proposed subcontractor or sub-subcontractor must demonstrate compliance with the Special Experience Requirements. Once approved, no substitution will be permitted, unless the qualifications of the proposed replacement have been approved in writing in advance by the City.

Special Experience Requirements apply to the contractor, subcontractor or sub-subcontractor (hereinafter referred to as the "entity") that will perform any specific area of work indicated by a blackened box. The entity may have performed the required prior project(s) as a prime contractor, subcontractor or sub-subcontractor.

- **Hazmat Work:** Hazmat Work is any item of work in the Bid Schedule that begins with the prefix 8.01. The entity that will perform any Hazmat Work must, within the last three (3) consecutive years prior to the bid opening, have successfully completed in a timely fashion at least five (5) projects similar in scope and type to the required work.
- **Pile, CFA Pile, and/or Mini-Pile Work:** The entity that will perform the Pile, CFA Pile and/or Mini-Pile Work must, within the last three (3) consecutive years prior to the bid opening, have successfully completed in a timely fashion at least two (2) projects similar in scope and type to the required work.

For professional services in connection with Pile Work, (i.e., engineering and inspection services), the individual who will perform the required services must be a Professional Engineer licensed by the state of New York. Such individual must also comply with the above requirements for prior projects.

- **Construction Report, Monitoring And Post-Construction Report, and Continuous Real-Time Monitoring For Vibrations And Movements And Post-Construction Report Work:** The entity that will perform the Construction Report, Monitoring For Vibrations And Movements, and Post-Construction Report Work must, within the last three (3) consecutive years prior to the bid opening, have successfully completed in a timely fashion at least two (2) projects similar in scope and type to the required work.

For professional services in connection with Reporting and Monitoring Work, (i.e., engineering and inspection services), the individual who will perform the required services must be a Professional Engineer licensed by the state of New York. Such individual must also comply with the above requirements for prior projects.

- **OTHER:** _____

(C) **SPECIFICATIONS:** In the event of any conflict, omission or inconsistency between (1) the Specifications and/or Contract Drawings, and (2) the Special Experience Requirements in Section (B) of the Special Notice To Bidders, the special experience listed in the Specifications and/or Contract Drawings shall be controlling. The Special Experience Requirements in Section (B) of this Special Notice To Bidders are only for the convenience of the bidders.

(D) **SUBMISSION REQUIREMENTS:** For each project submitted to demonstrate compliance with the Special Experience Requirements, the bidder must complete and submit the Qualification Form included in the Bid Booklet. The City will only evaluate a project if the following criteria are met: (1) the project is described on the Qualification Form, and (2) all information on the Qualification Form is provided. The City will not evaluate any project which does not comply with the criteria set forth herein, including any project which is referred to only on the resume of an individual.

If Special Experience Requirements are indicated for any specific area of work, the submission requirement set forth above shall apply to the entity that will perform the specific area of work.

(E) **CONDITIONS:** In determining compliance with the Special Experience Requirements for the bidder set forth above, the City may consider prior projects completed by principal(s) or other employees of the bidder while affiliated with another entity, subject to the conditions set forth below.

- Any principal or other employee on whose prior experience the bidder is relying to demonstrate compliance with this special experience requirement must have held the following: (a) a significant management role in the prior entity with which he/she was affiliated, and (b) a significant management role in the entity submitting the bid for a period of six (6) months or more from the inception of the bidding entity.
- The bidder may not rely on the experience of its principals or other employees to demonstrate compliance with any other requirements, including without limitation, financial requirements or requirements for a specified minimum amount of annual gross revenues.

(F) **JOINT VENTURES:** In the event the bidder is a joint venture, at least one firm in the joint venture must meet the above described experience requirements.

Qualification Form

List previous projects completed to meet the special experience requirements for this contract. Please photocopy this form for submission of all required projects.

Name of Contractor: Paul J. Scariano Inc

Name of Project: Storm Sewers Elvira Ave SEQ200548

Location of Project: Beach 8th St Queen, N.Y.

Owner or Owner's representative (Architect or Engineer) who is familiar with the work performed:

Name: Pat Larkin P.E.

Title: Project Engineer Phone Number: 718-391-1908

Brief description of the Project completed or the Project in progress:

Construction of storm sewer, watermain, utility work

Was the Project performed as a prime, a subcontractor or a sub-subcontractor: Prime

Amount of Contract, Subcontract or Sub-subcontract: \$1,747,360.

Start Date and Completion Date: 7/2011 - 11/2012

Name of Contractor: Paul J. Scariano Inc

Name of Project: Construction of Storm Sewers Kirschner Ave

Location of Project: Staten Island, N.Y.

Owner or Owner's representative (Architect or Engineer) who is familiar with the work performed:

Name: Sam Reed

Title: Engineer in Charge Phone Number: 718-391-1820

Brief description of the Project completed or the Project in progress:

Construction of storm sewer in Kirschner Ave - Paddock Ave

Storm sewers, watermain

Was the Project performed as a prime, a subcontractor or a sub-subcontractor: Prime

Amount of Contract, Subcontract or Sub-subcontract: \$1,022,868.

Start Date and Completion Date: 1/07 - 7/07

For Restoration Specialist
Both Erosion - Sediment

Gary L. Gentile, ASLA, RLA, CPSWPPP
Senior Landscape Architect
L. K. McLean Associates, P.C.
437 South Country Road
Brookhaven, New York 11719
Cell Phone-516-641-1444
Office Phone- 631-286-8668
Office Fax - (631)-776-0260



L. K. McLean Associates, P.C.

437 South Country Road • Brookhaven • New York • 11719

CONSULTING ENGINEERS

(631) 286-8668 • FAX (631) 286-6314 • lkma@lkma.com

RAYMOND G. DIBIASE, P.E., PTOE, PTP, PRESIDENT and CEO
ROBERT A. STEELE, P.E., EXECUTIVE VICE PRESIDENT
DANIEL P. JEDLIKA, P.L.S., VICE PRESIDENT

Associates

CHRISTOPHER F. DWYER
JAMES L. DeKONING, P.E.
STEVEN W. EISENBERG, P.E.
ANDREW B. SPEISER
MATTHEW C. JEDLIKA, LEED AP
KEITH J. MASSERIA, P.E.
VINCENT A. CORRADO, P.E.

January 16, 2018

Tarek Ismail, Senior Project Manager
PJS GROUP
12 Potter Avenue
New Rochelle, NY 10801

RE: 95th Street Sewers and Water Main

Dear Mr. Ismail:

This is to confirm that Gary Gentile, RLA, is qualified in Best Management Practices activities for:

1. Restoration Specialist
2. Erosion & Sediment Control as a Licensed/Certified Professional

If you have any questions, please do not hesitate to contact us.

Very truly yours,

Raymond DiBiase, PE
President & CEO

RGD:efr

Qualification Form

List previous projects completed to meet the special experience requirements for this contract. Please photocopy this form for submission of all required projects.

Name of Contractor: URS Corporation

Name of Project: Oakland Lake Park Wetlands Restoration

Location of Project: Queens, NY

Owner or Owner's representative (Architect or Engineer) who is familiar with the work performed:

Name: Dean Cavallaro, RLA, NY City D.E.P.

Title: Deputy Chief, Bluebelt Program Phone Number: 718-595-7457

Brief description of the Project completed or the Project in progress:
Wetland Restoration Inspection Services - \$12 Million Project

Was the Project performed as a prime, a subcontractor or a sub-subcontractor: Subcontractor

Amount of Contract, Subcontract or Sub-subcontract: \$150,000

Start Date and Completion Date: 2009-2011

Name of Contractor: Posillico Civil Inc.

Name of Project: Reconstruction of NY 347, Phase 3

Location of Project: Smithtown, NY

Owner or Owner's representative (Architect or Engineer) who is familiar with the work performed:

Name: Peter Brindley

Title: CEO Phone Number: 631-249-1872

Brief description of the Project completed or the Project in progress:
SWPP Inspections on a \$25 Million Highway Reconstruction Project

Was the Project performed as a prime, a subcontractor or a sub-subcontractor: Subcontractor

Amount of Contract, Subcontract or Sub-subcontract: \$2,000,000

Start Date and Completion Date: 2016-2018 (substantially complete)

For reference project, within the five years, use the following design/build projects (most finished):

- **2012:**
 - 11087.000 – Town of Islip – East Islip Marina
 - Tidal Wetlands
 - 08017.000 – Town of Islip - Bayshore Mill Pond
 - Freshwater Wetlands

- **2013:**
 - 13050.000 - Town of Southold - Dike Rehabilitation
 - Tidal and Freshwater wetlands
 - 13031.000 - Town of Brookhaven - Swan River Restoration Trailhead.
 - Freshwater Wetlands
 - 10086.000 – Town of Brookhaven - Wincoram Commons
 - Freshwater Wetlands
 - 13022.000 – NYC Blue Belt Program - Oakland Lake Monitoring
 - Freshwater Wetlands
 - 14001.000 – Town of Brookhaven - Miller Place Pond
 - Freshwater Wetlands

- **2014:**
 - 13081.000 – Suffolk County – L.I. Maritime Museum
 - Tidal Wetlands
 - 13053.000 – Town of Brookhaven - Gully Landing Shoreline Stabilization
 - Tidal Wetlands

- **2015:**
 - 13089.006 - NYSDOT – Route 110 Channel Restoration
 - Freshwater/Tidal Creek
 - 15105.000 – Town of Hempstead – Path to Park Living Shoreline
 - Freshwater/ Tidal Wetlands

- **2016**
 - 16071.000 – Private – Site plan and Bluff Restoration.

(NO TEXT ON THIS PAGE)

ATTACHMENT 1 - BID INFORMATION

**PROJECT ID: SEQ200490
PIN: 8502016SE0034C**

Description and Location of Work:

**CONSTRUCTION OF STORM SEWER AND WATER MAIN IN
95TH STREET
BETWEEN 160TH AVE. AND 162ND AVE., ETC.**

Together With All Work Incidental Thereto

**BOROUGH OF QUEENS
CITY OF NEW YORK**

Documents Available At:

**30-30 Thomson Avenue
First Floor Bid Procurement Room
Long Island City, New York 11101
8:30 A.M. to 4:00 P.M. – Monday through Friday**

Submission of Bids To:

**30-30 Thomson Avenue
First Floor Bid Procurement Room
Long Island City, New York 11101
Before 11:00 A.M. on JANUARY 3, 2018**

Bid Opening:

**30-30 Thomson Avenue
First Floor Bid Procurement Room
Long Island City, New York 11101

Time and Date: 11:00 A.M. on JANUARY 3, 2018**

Pre-Bid Conference:

**Yes _____ No _____ X
If Yes, Mandatory _____ Optional: _____
Time and Date: _____
Location: _____**

Bid Security:

Bid Security is required in the amount set forth below; provided, however, bid security is not required if the TOTAL BID PRICE set forth on the Bid Form is less than \$ 1,000,000.00.

- (1) Bond in an amount not less than 10% of the TOTAL BID PRICE set forth on the Bid Form, OR**
- (2) Certified Check in an amount not less than 2% of the TOTAL BID PRICE set forth on the Bid Form.**

Performance and Payment Security: Required for contracts in the amount of \$1,000,000 or more. Performance Security and Payment Security shall each be in an amount equal to 100% of the Contract Price.

Agency Contact Person:

**Lorraine Holley
Phone: 718-391-2601 FAX: 718-391-2627
Email: CSB_projectinquiries@ddc.nyc.gov**

(NO TEXT ON THIS PAGE)

LIST OF DRAWINGS**PROJECT ID: SEQ200490****PIN: 8502016SE0034C**

LIST OF DRAWINGS		
SHEET NO.	DRAWING NO.	DESCRIPTION
1	T1	TITLE SHEET
2 THRU 6	U1 THRU U5	PLAN AND PROFILE
7	U6	CHAMBER 1
8	U7	CHAMBER 2
9	U8	CHAMBER 3
10	U9	CHAMBER 4
11	U10	SPECIAL SHALLOW MANHOLE
12 THRU 13	U11 - U12	OUT FALL 1-2
14 THRU 17	MPT1 THRU MPT4	MAINTENANCE AND PROTECTION OF TRAFFIC
18 THRU 19	FD1 THRU FD2	FIRE DEPARTMENT BASE MAP
20 THRU 23	C1 THRU C4	BEST MANAGEMENT PRACTICE WORK
24 THRU 28	B1 THRU B5	RECORDS OF BORING

(NO TEXT ON THIS PAGE)

BID SCHEDULE

The following pages contain the Bid Schedule. Items listed in the Bid Schedule shall comply with the requirements of the corresponding sections of the specifications detailed in the table below. All references to the Standard Specifications, Details, Standards, and Drawings shall be to the version in effect at the time of bid.

NOTES:

- “XXX” in the table below signifies any possible combination of characters and spaces.
- The table below may contain item formats which are not included in the Bid Schedule.
- ***Please refer to the Bid Schedule to determine which specifications apply.***

Item Number Format	Applicable Specifications
4.XXX 6.XXX 7.XXX 8.XXX <i>(Except 8.01 XXX; see below)</i> 9.XXX	NYC Department of Transportation (“DOT”) Standard Highway Specifications, as amended in the R-Pages, located in Volume 3 of 3 herein; <p style="text-align: center;">AND</p> NYC DOT Standard Details of Construction; <p style="text-align: center;">OR,</p> <i>if the item is not contained within the Standard Specifications</i> , then see the applicable New Sections in the I-Pages, located in Volume 3 of 3 herein.
1.XXX 50.XXX through 55.XXX 60.XXX through 66.XXX 70.XXX through 79.XXX <i>(Except 79.11XXX; see below)</i> DSS XXX DSW XXX	NYC Department of Environmental Protection (“DEP”) Standard Sewer and Water Main Specifications, as amended in the R-Pages and SW-Pages, located in Volume 3 of 3 herein; <p style="text-align: center;">AND</p> NYC DOT Specifications for Trunk Main Work; <p style="text-align: center;">AND</p> NYC DOT Sewer Design Standards; <p style="text-align: center;">AND</p> NYC DOT Water Main Standard Drawings; <p style="text-align: center;">OR,</p> <i>if the item is not contained within the Standard Specifications</i> , then see the Amendments to the Standard Sewer and Water Main Specifications in the SW-Pages, located in Volume 3 of 3 herein.
GI-XXX PM-XXX ROW XXX	New Sections in the I-Pages, located in Volume 3 of 3 herein <p style="text-align: center;">AND</p> NYC DEP Standards for Green Infrastructure.
UTL-XXX	Gas Cost Sharing Standard Specifications in the EP7-Pages, located in Volume 3 of 3 herein.

BID SCHEDULE

Item Number Format	Applicable Specifications
83X.XXX HW-XXX MX.XXX MP XXX NYC-XXX NYCT-XXX NYPD-XXX P XXX PK-XXX	New Sections in the I-Pages, located in Volume 3 of 3 herein.
BMP-XXX	Specifications for Construction of Best Management Practice (BMP) and Mitigation Area in the BMP-Pages, located in Volume 3 of 3 herein.
E XXX ME XXX	Specifications for the Specialty Electrical Works in the EL-Pages, located in Volume 3 of 3 herein.
SL-XXX	NYC DOT Division of Street Lighting Specifications AND NYC Division of Street Lighting Standard Drawings.
T-XXX	NYC DOT Specifications for Traffic Signals and Intelligent Transportation Systems AND NYC DOT Traffic Signal Standard Drawings.
JB XXX	Joint Bid Specifications in the JB-Pages, located in Volume 3 of 3 herein.
8.01 XXX	Specifications for Handling, Transportation and Disposal of Nonhazardous and Potentially Hazardous Contaminated Materials in the HAZ-Pages, located in Volume 3 of 3 herein.
67.XXX	Specifications for Abatement of Coal Tar Wrap Asbestos Containing Materials in the ASB-Pages, located in Volume 3 of 3 herein.
79.11XXX	Specifications for Abatement of Transit Authority Duct Insulation Asbestos Containing Materials in the ASB-Pages, located in Volume 3 of 3 herein.

(NO FURTHER TEXT ON THIS PAGE)

11/2/2017 11:50 AM

BID SCHEDULE

- NOTE:** (1) The Agency may reject a bid if it contains unbalanced bid prices. An unbalanced bid is considered to be one containing lump sum or unit items which do not reflect reasonable actual costs plus a reasonable proportionate share of the Bidder's anticipated profit, overhead costs, and other indirect costs, anticipated for the performance of the items in question.
- (2) The following bid prices on Unit Price Contracts are to be paid for the actual quantities of the item numbers in the completed work or structure, and they cover the cost of all work, labor, material, tools, plant and appliances of every description necessary to complete the entire work, as specified, and the removal of all debris, temporary work and appliances.
- (3) PLEASE BE SURE A LEGIBLE BID IS ENTERED, IN INK, FOR EACH ITEM.
Alterations must be initialed in ink by the bidder.
- (4) The Extended Amount entered in Column 6 shall be the product of the Estimated Quantity in Column 3 times the Unit Price Bid in Column 5.
- (5) Prospective bidders must examine the Bid Schedule carefully and, before bidding, must advise the Commissioner, in writing, if any pages are missing, and must request that such missing pages be furnished them. The pages of this Bid Schedule are numbered consecutively, as follows:
B - 3 Through B - 28

PLEASE BE SURE A LEGIBLE BID IS ENTERED FOR EACH ITEM.
THE BIDDER SHALL INSERT THE TOTAL BID PRICE IN
THE BID FORM ON PAGE C-4 OF THIS BID BOOKLET.



11/2/2017 11:50 AM

BID SCHEDULE FORM

COL 1 SEQ. NO	COL 2 ITEM NUMBER AND DESCRIPTION	COL 3 ENGINEER'S ESTIMATE OF QUANTITY	COL 4 UNIT	COL 5 UNIT PRICE (IN FIGURES) DOLLARS CTS	COL 6 EXTENDED AMOUNT (IN FIGURES) DOLLARS CTS
001	4.02 AB-R ASPHALTIC CONCRETE WEARING COURSE, 1-1/2" THICK	4,500.00	S.Y.	30 00	135,000 00
002	4.02 AF-R ASPHALTIC CONCRETE WEARING COURSE, 2" THICK	7,530.00	S.Y.	25 00	188,250 00
003	4.02 CA BINDER MIXTURE	2,320.00	TONS	70 00	162,400 00
004	4.04 H CONCRETE BASE FOR PAVEMENT, VARIABLE THICKNESS FOR TRENCH RESTORATION, (HIGH-EARLY STRENGTH)	120.00	C.Y.	300 00	36,000 00
005	4.08 AA CONCRETE CURB (18" DEEP)	300.00	L.F.	40 00	12,000 00
006	4.09 AD STRAIGHT STEEL FACED CONCRETE CURB (18" DEEP)	780.00	L.F.	65 00	50,700 00

11/2/2017 11:50 AM

BID SCHEDULE FORM

COL 1 SEQ. NO	COL 2 ITEM NUMBER and DESCRIPTION	COL 3 ENGINEER'S ESTIMATE OF QUANTITY	COL 4 UNIT	COL 5 UNIT PRICE (IN FIGURES) DOLLARS	COL 6 EXTENDED AMOUNT (IN FIGURES) DOLLARS	CTS
007	4.09 BD DEPRESSED STEEL FACED CONCRETE CURB (18" DEEP)	200.00	L.F.	65.00	13,000.00	00
008	4.09 CD CORNER STEEL FACED CONCRETE CURB (18" DEEP)	750.00	L.F.	175.00	131,250.00	00
009	4.13 AAS 4" CONCRETE SIDEWALK (UNPIGMENTED)	1,400.00	S.F.	7.00	9,800.00	00
010	4.13 BAS 7" CONCRETE SIDEWALK (UNPIGMENTED)	3,300.00	S.F.	10.00	33,000.00	00
011	4.13 DE EMBEDDED PREFORMED DETECTABLE WARNING UNITS	300.00	S.F.	20.00	6,000.00	00
012	4.15 TOPSOIL	10.00	C.Y.	25.00	250.00	00

11/2/2017 11:50 AM

BID SCHEDULE FORM

COL. 1 SEQ. NO.	COL. 2 ITEM NUMBER and DESCRIPTION	COL. 3 ENGINEER'S ESTIMATE OF QUANTITY	COL. 4 UNIT	COL. 5 UNIT PRICE (IN FIGURES) DOLLARS CTS	COL. 6 EXTENDED AMOUNT (IN FIGURES) DOLLARS CTS
013	4.16 AA TREES REMOVED (4" TO UNDER 12" CALIPER)	1.00	EACH	375 00	375 00
014	4.16 AC TREES REMOVED (18" TO UNDER 24" CALIPER)	1.00	EACH	1250 00	1250 00
015	4.16 BA405 TREES PLANTED, 2-1/2" TO 3" CALIPER, ALL TYPES, IN 4' X 5' TREE PITS	50.00	EACH	1250 00	62,500 00
016	4.16 STUMP STUMP REMOVAL	3.00	UNITS	500 00	1500 00
017	4.18 A MAINTENANCE TREE PRUNING (UNDER 12" CAL.)	30.00	EACH	125 00	3750 00
018	4.18 B MAINTENANCE TREE PRUNING (12" TO UNDER 18" CAL.)	17.00	EACH	170 00	2890 00



Department of
Design and
Construction

NEW YORK CITY DEPARTMENT OF DESIGN AND CONSTRUCTION PROJECT ID: SEQ200490
DIVISION OF INFRASTRUCTURE - BUREAU OF DESIGN CONTRACT PIN: 8502016SE0034C

11/2/2017 11:50 AM

BID SCHEDULE FORM

COL 1 SEQ. NO	COL 2 ITEM NUMBER and DESCRIPTION	COL 3 ENGINEER'S ESTIMATE OF QUANTITY	COL 4 UNIT	COL 5 UNIT PRICE (IN FIGURES) DOLLARS CTS	COL 6 EXTENDED AMOUNT (IN FIGURES) DOLLARS CTS
019	4.18 C MAINTENANCE TREE PRUNING (18" TO UNDER 24" CAL.)	4.00	EACH	225 00	900 00
020	4.18 D MAINTENANCE TREE PRUNING (24" CAL. AND OVER)	1.00	EACH	330 00	330 00
021	4.21 TREE CONSULTANT	300.00	P/HR	1 00	300 00
022	50.21M3E024D 24" R.C.P. CLASS III STORM SEWER, ENCASED IN CONCRETE	160.00	L.F.	1600 00	256,000 00
023	50.21M3E038W 38"W X 24"H R.C.P. CLASS HE-III STORM SEWER, ENCASED IN CONCRETE	1,180.00	L.F.	1650 00	1,947,000 00
024	50.21M3E045W 45"W X 29"H R.C.P. CLASS HE-III STORM SEWER, ENCASED IN CONCRETE	280.00	L.F.	1700 00	476,000 00

11/2/2017 11:50 AM

BID SCHEDULE FORM

COL 1 SEQ. NO	COL 2 ITEM NUMBER AND DESCRIPTION	COL 3 ENGINEER'S ESTIMATE OF QUANTITY	COL 4 UNIT	COL 5 UNIT PRICE (IN FIGURES) DOLLARS : CTS	COL 6 EXTENDED AMOUNT (IN FIGURES) DOLLARS : CTS
025	50.21M3E080W 60" X 38" H R.C.P. CLASS HE-III STORM SEWER, ENCASED IN CONCRETE	130.00	L.F.	1950 00	253,500 00
026	50.31SC10 10" E.S.V.P. SANITARY SEWER, ON CONCRETE CRADLE	20.00	L.F.	1350 00	27,000 00
027	50.41M6E12 12" D.I.P. CLASS 56 STORM SEWER, ENCASED IN CONCRETE	260.00	L.F.	1500 00	390,000 00
028	50.41M6E18 18" D.I.P. CLASS 56 STORM SEWER, ENCASED IN CONCRETE	110.00	L.F.	1600 00	176,000 00
029	51.11C001 CHAMBER NO. 1	1.00	EACH	150,000 00	150,000 00
030	51.11C002 CHAMBER NO. 2	1.00	EACH	150,000 00	150,000 00



11/2/2017 11:50 AM

BID SCHEDULE FORM

COL 1 SEQ. NO	COL 2 ITEM NUMBER and DESCRIPTION	COL 3 ENGINEER'S ESTIMATE OF QUANTITY	COL 4 UNIT	COL 5 UNIT PRICE (IN FIGURES) DOLLARS	COL 6 EXTENDED AMOUNT (IN FIGURES) DOLLARS	CTS
031	51.11C003 CHAMBER NO. 3	1.00	EACH	150,000	150,000	00
032	51.11C004 CHAMBER NO. 4	1.00	EACH	150,000	150,000	00
033	51.21L001000V SPECIAL MANHOLE NO. 1	1.00	EACH	500	500	00
034	51.21L002000V SPECIAL MANHOLE NO. 2	1.00	EACH	500	500	00
035	51.21L003000V SPECIAL MANHOLE NO. 3	1.00	EACH	500	500	00
036	51.21L004000V SPECIAL MANHOLE NO. 4	1.00	EACH	500	500	00



11/2/2017 11:50 AM

BID SCHEDULE FORM

COL 1 SEQ. NO.	COL 2 ITEM NUMBER and DESCRIPTION	COL 3 ENGINEER'S ESTIMATE OF QUANTITY	COL 4 UNIT	COL 5 UNIT PRICE (IN FIGURES) DOLLARS : CTS	COL 6 EXTENDED AMOUNT (IN FIGURES) DOLLARS : CTS
037	51.21L005000V SPECIAL MANHOLE NO. 5	1.00	EACH	5700 00	5700 00
038	51.21L006000V SPECIAL MANHOLE NO. 6	1.00	EACH	5700 00	5700 00
039	51.21L007000V SPECIAL MANHOLE NO. 7	1.00	EACH	5700 00	5700 00
040	51.21L008000V SPECIAL MANHOLE NO. 8	1.00	EACH	5700 00	5700 00
041	51.21S0A3000V STANDARD SHALLOW MANHOLE TYPE A-3	13.00	EACH	5700 00	65000 00
042	51.41S001 STANDARD CATCH BASIN, TYPE 1	38.00	EACH	10,000 00	380,000 00

11/2/2017 11:50 AM

BID SCHEDULE FORM

COL 1 SEQ. NO	COL 2 ITEM NUMBER and DESCRIPTION	COL 3 ENGINEER'S ESTIMATE OF QUANTITY	COL 4 UNIT	COL 5 UNIT PRICE (IN FIGURES) DOLLARS CTS	COL 6 EXTENDED AMOUNT (IN FIGURES) DOLLARS CTS
043	51.61F000 OUTFALL	1.00	EACH	603,575 ⁰⁰	603,575 ⁰⁰
044	52.11D12 12" DUCTILE IRON PIPE BASIN CONNECTION	760.00	L.F.	310 ⁰⁰	235,600 ⁰⁰
045	52.31V06S10 6" E.S.V.P. SPUR FOR HOUSE CONNECTION ON 10" E.S.V.P. SANITARY SEWER	35.00	EACH	160 ⁰⁰	5,600 ⁰⁰
046	52.41D06R 6" D.I.P. HOUSE CONNECTION DRAIN ON CONCRETE CRADLE (RECONNECTION)	800.00	L.F.	1 ⁰⁰	800 ⁰⁰
047	53.11DR TELEVISION INSPECTION AND DIGITAL AUDIO-VISUAL RECORDING OF SEWERS	4,240.00	L.F.	- 01	42 ⁴⁰
048	6.01 AC CLEARING AND GRUBBING	340.00	S.Y.	50 ⁰⁰	17,000 ⁰⁰



11/2/2017 11:50 AM

BID SCHEDULE FORM

COL 1 SEQ. NO.	COL 2 ITEM NUMBER and DESCRIPTION	COL 3 ENGINEER'S ESTIMATE OF QUANTITY	COL 4 UNIT	COL 5 UNIT PRICE (IN FIGURES) DOLLARS CTS	COL 6 EXTENDED AMOUNT (IN FIGURES) DOLLARS CTS
049	6.02 AAN UNCLASSIFIED EXCAVATION	1,265.00	C.Y.	95 ⁰⁰	120,175 ⁰⁰
050	6.25 RS TEMPORARY SIGNS	13,000.00	S.F.	— .01	130 ⁰⁰
051	6.26 TIMBER CURB	3,500.00	L.F.	— .01	35 ⁰⁰
052	6.28 AA LIGHTED TIMBER BARRICADES	3,900.00	L.F.	— .01	39 ⁰⁰
053	6.40 C ENGINEER'S FIELD OFFICE (TYPE C)	36.00	MONTH	7000 ⁰⁰	252,000 ⁰⁰
054	6.44 THERMOPLASTIC REFLECTORIZED PAVEMENT MARKINGS (4" WIDE)	6,456.00	L.F.	2 ⁰⁰	12,912 ⁰⁰

11/2/2017 11:50 AM

BID SCHEDULE FORM

COL 1 SEQ. NO.	COL 2 ITEM NUMBER and DESCRIPTION	COL 3 ENGINEER'S ESTIMATE OF QUANTITY	COL 4 UNIT	COL 5 UNIT PRICE (IN FIGURES) DOLLARS . CTS	COL 6 EXTENDED AMOUNT (IN FIGURES) DOLLARS . CTS
055	6.49 TEMPORARY PAVEMENT MARKINGS (4" WIDE)	8,456.00	L.F.	- .01	64 56
056	6.52 CG CROSSING GUARD	1,000.00	P/HR	25 00	25000 -
057	6.53 REMOVE EXISTING LANE MARKINGS (4" WIDE)	6,456.00	L.F.	- .01	64 56
058	6.87 PLASTIC BARRELS	3,600.00	EACH	1 00	3600 00
059	60.11R608 FURNISHING AND DELIVERING 6-INCH DUCTILE IRON RESTRAINED JOINT PIPE (CLASS 56)	200.00	L.F.	40 00	8000 00
060	60.11R608 FURNISHING AND DELIVERING 8-INCH DUCTILE IRON RESTRAINED JOINT PIPE (CLASS 56)	3,300.00	L.F.	60 00	198,000 00



11/2/2017 11:50 AM

BID SCHEDULE FORM

COL 1 SEQ. NO	COL 2 ITEM NUMBER and DESCRIPTION	COL 3 ENGINEERS ESTIMATE OF QUANTITY	COL 4 UNIT	COL 5 UNIT PRICE (IN FIGURES) DOLLARS	COL 6 EXTENDED AMOUNT (IN FIGURES) DOLLARS	CTS
061	60.12D06 LAYING 6-INCH DUCTILE IRON PIPE AND FITTINGS	240.00	L.F.	100.00	24,000.00	00
062	60.12D08 LAYING 8-INCH DUCTILE IRON PIPE AND FITTINGS	3,560.00	L.F.	145.00	516,200.00	00
063	60.13M0A24 FURNISHING AND DELIVERING DUCTILE IRON MECHANICAL JOINT 24- -INCH DIAMETER AND SMALLER FITTINGS, INCLUDING WEDGE TYPE RETAINER GLANDS	8.00	TONS	1.00	8.00	00
064	60.18BJC20EL FURNISHING, DELIVERING AND INSTALLING BELL JOINT CLAMPS, COMPLETE FOR 20-INCH PIPE AND LESS	9.00	EACH	-.01	0.09	00
065	61.11DMM06 FURNISHING AND DELIVERING 6-INCH MECHANICAL JOINT DUCTILE IRON GATE VALVE COMPLETE WITH WEDGE TYPE RETAINER GLANDS	14.00	EACH	1,100.00	15,400.00	00

11/2/2017 11:50 AM

BID SCHEDULE FORM

COL. 1 SEQ. NO.	COL. 2 ITEM NUMBER AND DESCRIPTION	COL. 3 ENGINEER'S ESTIMATE OF QUANTITY	COL. 4 UNIT	COL. 5 UNIT PRICE (IN FIGURES) DOLLARS CTS	COL. 6 EXTENDED AMOUNT (IN FIGURES) DOLLARS CTS
066	61.11DMM08 FURNISHING AND DELIVERING 8-INCH MECHANICAL JOINT DUCTILE IRON GATE VALVE COMPLETE WITH WEDGE TYPE RETAINER GLANDS	16.00	EACH	1650 00	26,400 00
067	61.11TWC03 FURNISHING AND DELIVERING 3-INCH WET CONNECTION TAPPING VALVE COMPLETE WITH WEDGE TYPE RETAINER GLANDS	5.00	EACH	1 00	5 00
068	61.11TWC04 FURNISHING AND DELIVERING 4-INCH WET CONNECTION TAPPING VALVE COMPLETE WITH WEDGE TYPE RETAINER GLANDS	5.00	EACH	1 00	5 00
069	61.12DMM06 SETTING 6-INCH MECHANICAL JOINT DUCTILE IRON GATE VALVE COMPLETE WITH WEDGE TYPE RETAINER GLANDS	14.00	EACH	200 00	2,800 00
070	61.12DMM08 SETTING 8-INCH MECHANICAL JOINT DUCTILE IRON GATE VALVE COMPLETE WITH WEDGE TYPE RETAINER GLANDS	16.00	EACH	800 00	12,800 00
071	61.12TWC03 SETTING 3-INCH WET CONNECTION TAPPING VALVE COMPLETE WITH WEDGE TYPE RETAINER GLANDS	5.00	EACH	1 00	5 00



11/2/2017 11:50 AM

BID SCHEDULE FORM

COL 1 SEQ. NO.	COL 2 ITEM NUMBER and DESCRIPTION	COL 3 ENGINEERS ESTIMATE OF QUANTITY	COL 4 UNIT	COL 5 UNIT PRICE (IN FIGURES)		COL 6 EXTENDED AMOUNT (IN FIGURES)	
				DOLLARS	CTS	DOLLARS	CTS
072	61.12TWC04 SETTING 4-INCH WET CONNECTION TAPPING VALVE COMPLETE WITH WEDGE TYPE RETAINER GLANDS	5.00	EACH	1	00	5	00
073	62.11SD FURNISHING AND DELIVERING HYDRANTS	14.00	EACH	3000	00	42,000	00
074	62.12SG SETTING HYDRANTS COMPLETE WITH WEDGE TYPE RETAINER GLANDS	14.00	EACH	2000	00	28,000	00
075	62.13RH REMOVING HYDRANTS	8.00	EACH	1	00	8	00
076	62.14FS FURNISHING, DELIVERING AND INSTALLING HYDRANT FENDERS	28.00	EACH	3000	00	8400	00
077	63.11VC FURNISHING AND DELIVERING VARIOUS CASTINGS	25.00	TONS	1	00	25	00

11/2/2017 11:50 AM

BID SCHEDULE FORM

COL. 1 SEQ. NO.	COL. 2 ITEM NUMBER and DESCRIPTION	COL. 3 ENGINEER'S ESTIMATE OF QUANTITY	COL. 4 CGL. 4 UNIT	COL. 5 UNIT PRICE (IN FIGURES) DOLLARS	COL. 6 EXTENDED AMOUNT (IN FIGURES) DOLLARS	C.T.S.
078	64.11EL WITHDRAWING AND REPLACING HOUSE SERVICES USING 1-1/2- INCH OR LARGER SCREW TAPS	10.00	EACH	400	4000	00
079	64.11ST WITHDRAWING AND REPLACING HOUSE SERVICES USING SMALLER THAN 1-1/2-INCH SCREW TAPS	120.00	EACH	400	48000	00
080	64.12COEG CUTTING AND OFFSETTING HOUSE SERVICE WATER CONNECTIONS (EQUAL TO OR GREATER THAN 3-INCH DIAMETER)	170.00	L.F.	1	170	00
081	64.12COLT CUTTING AND OFFSETTING HOUSE SERVICE WATER CONNECTIONS (LESS THAN 3-INCH DIAMETER)	2,040.00	L.F.	1	2040	00
082	64.12ESEG EXTENDING HOUSE SERVICE WATER CONNECTIONS (EQUAL TO OR GREATER THAN 3-INCH DIAMETER)	170.00	L.F.	1	170	00
083	64.12ESLT EXTENDING HOUSE SERVICE WATER CONNECTIONS (LESS THAN 3- INCH DIAMETER)	2,040.00	L.F.	1	2040	00



11/2/2017 11:50 AM

BID SCHEDULE FORM

COL 1 SEQ. NO	COL 2 ITEM NUMBER and DESCRIPTION	COL 3 ENGINEER'S ESTIMATE OF QUANTITY	COL 4 UNIT	COL 5 UNIT PRICE (IN FIGURES) DOLLARS CTS	COL 6 EXTENDED AMOUNT (IN FIGURES) DOLLARS CTS
084	64.13WC08 FURNISHING, DELIVERING AND INSTALLING WET CONNECTION SLEEVE ON 8-INCH WATER MAIN PIPE WITH VARIOUS OUTLETS	10.00	EACH	1 00	10 00
085	65.11BR FURNISHING, DELIVERING AND INSTALLING BANDS, RODS, WASHERS, ETC., COMPLETE, FOR RESTRAINING JOINTS	7,000.00	LBS.	01	70 00
086	65.21PS FURNISHING AND PLACING POLYETHYLENE SLEEVE Unit price bid shall not be less than: \$ 0.50	1,690.00	L.F.	050	845 00
087	65.31FF FURNISHING, DELIVERING AND PLACING FILTER FABRIC Unit price bid shall not be less than: \$ 0.10	80,200.00	S.F.	10	8020 00
088	65.51PC FURNISHING AND PLACING CAST-IN-PLACE CONCRETE CLASS 40 AND PRECAST CONCRETE CLASS 50	5.00	C.Y.	500 00	250 00
089	65.61SS FURNISHING, DELIVERING AND PLACING STRUCTURAL, REINFORCING AND MISCELLANEOUS STEEL	3,000.00	LBS.	2 50	7,500 00

11/2/2017 11:50 AM

BID SCHEDULE FORM

COL 1 SEC. NO	COL 2 ITEM NUMBER and DESCRIPTION	COL 3 ENGINEERS ESTIMATE OF QUANTITY	COL 4 UNIT	COL 5 UNIT PRICE (IN FIGURES) DOLLARS : CTS	COL 6 EXTENDED AMOUNT (IN FIGURES) DOLLARS : CTS
090	65.71SG FURNISHING, DELIVERING AND PLACING SCREENED GRAVEL OR SCREENED BROKEN STONE BEDDING	200.00	C.Y.	45.00	9000.00
091	7.13 B MAINTENANCE OF SITE Unit price bid shall not be less than: \$ 8,000.00	30.00	MONTH	800.00	240,000.00
092	7.36 PEDESTRIAN STEEL BARRICADES	14,000.00	L.F.	1.00	14,000.00
093	7.88 AA RODENT INFESTATION SURVEY AND MONITORING Unit price bid shall not be less than: \$ 3,250.00	1.00	L.S.	3250.00	3250.00
094	7.88 AB RODENT BAIT STATIONS Unit price bid shall not be less than: \$ 60.00	120.00	EACH	60.00	7200.00
095	7.88 AC BAITING OF RODENT BAIT STATIONS Unit price bid shall not be less than: \$ 9.50	120.00	EACH	9.50	1140.00

BID SCHEDULE FORM

COL 1 SEQ. NO	COL 2 ITEM NUMBER and DESCRIPTION	COL 3 ENGINEER'S ESTIMATE OF QUANTITY	COL 4 UNIT	COL 5 UNIT PRICE (IN FIGURES) DOLLARS	COL 6 EXTENDED AMOUNT (IN FIGURES) DOLLARS	CTS
096	7.88 AD WATERBUG BAIT APPLICATIONS Unit price bid shall not be less than: \$ 65.00	390.00	BLOCK	65 N	25,350 00	00
097	70.11TT TIMBER PILES (TREATED) Unit price bid shall not be less than: \$ 12.50	28,800.00	V.F.	12 50	360,000 00	00
098	70.21DK DECKING	250.00	S.Y.	1 N	250 N	N
099	70.31FN FENCING Unit price bid shall not be less than: \$ 2.00	11,500.00	L.F.	2 N	23000 00	00
100	70.51EO EXCAVATION OF BOULDERS IN OPEN CUT Unit price bid shall not be less than: \$ 75.00	40.00	C.Y.	75 N	3000 00	00
101	70.61RE ROCK EXCAVATION	40.00	C.Y.	— .01	—	40

BID SCHEDULE FORM

COL 1 SEQ. NO	COL 2 ITEM NUMBER and DESCRIPTION	COL 3 ENGINEER'S ESTIMATE OF QUANTITY	COL 4 UNIT	COL 5 UNIT PRICE (IN FIGURES) DOLLARS CTS	COL 6 EXTENDED AMOUNT (IN FIGURES) DOLLARS CTS
102	70.71SB STONE BALLAST Unit price bid shall not be less than: \$ 15.00	800.00	C.Y.	15 00	12 000 00
103	70.81CB CLEAN BACKFILL Unit price bid shall not be less than: \$ 15.00	2,427.00	C.Y.	15 00	36,405 00
104	70.91SW12 FURNISHING AND PLACING SHEETING AND BRACING IN TRENCH FOR WATER MAIN PIPE 12-INCH IN DIAMETER AND LESS	11,000.00	S.F.	— .01	110 00
105	72.11HF HYDRAULIC FILL FOR ABANDONED SEWERS AND WATER MAINS	20.00	C.Y.	— .01	— 20
106	73.11AB ADDITIONAL BRICK MASONRY Unit price bid shall not be less than: \$ 62.50	183.00	C.Y.	62 50	11,437 50
107	73.21AC ADDITIONAL CONCRETE Unit price bid shall not be less than: \$ 62.50	580.00	C.Y.	62 50	36,250 00



Department of
Design and
Construction

NEW YORK CITY DEPARTMENT OF DESIGN AND CONSTRUCTION PROJECT ID: SEQ200490
DIVISION OF INFRASTRUCTURE - BUREAU OF DESIGN CONTRACT PIN: 8502016SE0034C

11/2/2017 11:50 AM

BID SCHEDULE FORM

COL 1 SEQ. NO.	COL 2 ITEM NUMBER and DESCRIPTION	COL 3 ENGINEER'S ESTIMATE OF QUANTITY	COL 4 UNIT	COL 5 UNIT PRICE (IN FIGURES)		COL 6 EXTENDED AMOUNT (IN FIGURES)	
				DOLLARS	CTS	DOLLARS	CTS
108	73.31AE0 ADDITIONAL EARTH EXCAVATION INCLUDING TEST PITTS (ALL DEPTHS) Unit price bid shall not be less than: \$ 20.00	530.00	C.Y.	20	00	10,600	00
109	73.41AG ADDITIONAL SELECT GRANULAR BACKFILL Unit price bid shall not be less than: \$ 15.00	160.00	C.Y.	15	00	2,400	00
110	73.51AS ADDITIONAL STEEL REINFORCING BARS Unit price bid shall not be less than: \$ 1.00	84,000.00	LBS.	1	00	84,000	00
111	76.11CR CONSTRUCTION REPORT	1.00	L.S.	30,000	00	30,000	00
112	76.21MR MONITORING AND POST-CONSTRUCTION REPORT	1.00	L.S.	75,000	00	75,000	00
113	8.01 C1 HANDLING, TRANSPORTING AND DISPOSAL OF NON-HAZARDOUS CONTAMINATED SOIL	2,000.00	TONS	34	00	68,000	00

11/2/2017 11:50 AM

BID SCHEDULE FORM

COL. 1 SEQ. NO.	COL. 2 ITEM NUMBER and DESCRIPTION	COL. 3 ENGINEER'S ESTIMATE OF QUANTITY	COL. 4 UNIT	COL. 5 UNIT PRICE (IN FIGURES) DOLLARS	COL. 6 EXTENDED AMOUNT (IN FIGURES) DOLLARS	CTS
114	8.01 C2 SAMPLING AND TESTING OF CONTAMINATED/POTENTIALLY HAZARDOUS SOIL FOR DISPOSAL PURPOSES	10.00	SETS	2000	20,000	00
115	8.01 H HANDLING, TRANSPORTING AND DISPOSAL OF HAZARDOUS SOIL	200.00	TONS	1	200	00
116	8.01 S HEALTH AND SAFETY	1.00	L.S.	20,000	20,000	00
117	8.01 W1 REMOVAL, TREATMENT, AND DISCHARGE/DISPOSAL OF CONTAMINATED WATER	30.00	DAY	2000	60,000	00
118	8.01 W2 SAMPLING AND TESTING OF CONTAMINATED WATER	10.00	SETS	2000	20,000	00
119	8.02 A SPECIAL CARE EXCAVATION AND RESTORATION FOR SIDEWALK WORK	6,600.00	S.F.	-	66	00



11/2/2017 11:50 AM

BID SCHEDULE FORM

COL 1 SEQ. NO.	COL 2 ITEM NUMBER and DESCRIPTION	COL 3 ENGINEERS ESTIMATE OF QUANTITY	COL 4 UNIT	COL 5 UNIT PRICE (IN FIGURES) DOLLARS CTS	COL 6 EXTENDED AMOUNT (IN FIGURES) DOLLARS CTS
120	8.02 B SPECIAL CARE EXCAVATION AND RESTORATION FOR CURB WORK	700.00	L.F.	- .01	7 00
121	BMP-7.09 LICENSED SURVEYOR	2.00	DAY	2000 00	4000 00
122	BMP-7.107-B RIP-RAP AND ANGULAR NATURAL FIELD STONE	20.00	C.Y.	100 00	2000 00
123	BMP-7.109 GEOTEXTILE FABRIC	150.00	S.F.	1 00	150 00
124	BMP-7.307-A GRADING	420.00	S.F.	5 00	2100 00
125	BMP-7.401-I SEEDING	230.00	S.F.	1 00	230 00

11/2/2017 11:50 AM

BID SCHEDULE FORM

COL 1 SEQ. NO	COL 2 ITEM NUMBER and DESCRIPTION	COL 3 ENGINEER'S ESTIMATE OF QUANTITY	COL 4 UNIT	COL 5 UNIT PRICE (IN FIGURES) DOLLARS : CTS	COL 6 EXTENDED AMOUNT (IN FIGURES) DOLLARS : CTS
126	BMP-7.401-J HERBACEOUS PLANTS (PLUGS)	270.00	EACH	150 00	40,500 00
127	BMP-7.404-A RESTORATION SPECIALIST	290.00	HRS	170 00	29,000 00
128	BMP-7.404-B EROSION AND SEDIMENT CONTROL LICENSED/CERTIFIED PROFESSIONAL	52.00	DAY	900 00	46,800 00
129	BMP-7.418 CLEAN SAND FOR RESTORED AREA	180.00	C.Y.	45 00	8,100 00
130	BMP-7.504A SILT FENCE	210.00	L.F.	5 00	1,050 00
131	BMP-7.509-A STABILIZED CONSTRUCTION ENTRANCE	1.00	EACH	15,000 00	15,000 00



11/2/2017 11:50 AM

BID SCHEDULE FORM

COL 1 SEQ. NO.	COL 2 ITEM NUMBER and DESCRIPTION	COL 3 ENGINEER'S ESTIMATE OF QUANTITY	COL 4 UNIT	COL 5 UNIT PRICE (IN FIGURES)		COL 6 EXTENDED AMOUNT (IN FIGURES)	
				DOLLARS	CTS	DOLLARS	CTS
132	BMP-7.510 PORTABLE SEDIMENT TANK	1.00	EACH	15000	00	15000	00
133	BMP-7.516 TURBIDITY CURTAIN	60.00	L.F.	100	00	6000	00
134	UTL-6.01.2A GAS MAIN CROSSING 38"W X 24"H HORIZONTAL ELLIPTICAL REINFORCED CONCRETE STORM SEWER (\$6.01) Unit price bid shall not be less than: \$ 1,590.00	1.00	EACH	1590	00	1590	00
135	UTL-6.01.5B GAS MAIN CROSSING 60"W X 38"H HORIZONTAL ELLIPTICAL REINFORCED CONCRETE STORM SEWER (\$6.01) Unit price bid shall not be less than: \$ 1,905.00	1.00	EACH	1905	00	1905	00
136	UTL-6.01.8 GAS SERVICES CROSSING TRENCHES AND/OR EXCAVATIONS (\$6.01) Unit price bid shall not be less than: \$ 465.00	80.00	EACH	465	00	37200	00
137	UTL-6.01.9 GAS MAIN CROSSING WATER MAIN UP TO 20" IN DIAMETER (\$6.01) Unit price bid shall not be less than: \$ 485.00	6.00	EACH	485	00	2910	00

BID SCHEDULE FORM

COL 1 SEQ. NO.	COL 2 ITEM NUMBER and DESCRIPTION	COL 3 ENGINEER'S ESTIMATE OF QUANTITY	COL 4 UNIT	COL 5 UNIT PRICE (IN FIGURES) DOLLARS CTS	COL 6 EXTENDED AMOUNT (IN FIGURES) DOLLARS CTS
138	UTL-6.02 EXTRA EXCAVATION FOR THE INSTALLATION OF CATCH BASIN SEWER DRAIN PIPES WITH GAS INTERFERENCES (S6.02) Unit price bid shall not be less than: \$ 715.00	2.00	EACH	715 00	1430 00
139	UTL-6.03 REMOVAL OF ABANDONED GAS FACILITIES. ALL SIZES. (S6.03) Unit price bid shall not be less than: \$ 15.00	4,000.00	L.F.	15 00	60,000 00
140	UTL-6.03.1 REMOVAL OF ABANDONED GAS FACILITIES WITH POSSIBLE COAL TAR WRAP. ALL SIZES. (FOR NATIONAL GRID WORK ONLY) (S6.03) Unit price bid shall not be less than: \$ 25.00	100.00	L.F.	25 00	2500 00
141	UTL-6.04 ADJUST HARDWARE TO GRADE USING SPACER RINGS/ADAPTORS. (STREET REPAVING.) (S6.04) Unit price bid shall not be less than: \$ 35.00	80.00	EACH	35 00	2800 00
142	UTL-6.05 ADJUST HARDWARE TO GRADE BY RESETTING. (ROAD RECONSTRUCTION.) (S6.05) Unit price bid shall not be less than: \$ 65.00	80.00	EACH	65 00	5,200 00
143	UTL-6.06 SPECIAL CARE EXCAVATION AND BACKFILLING (S6.06) Unit price bid shall not be less than: \$ 180.00	800.00	C.Y.	180 00	144,000 00

11/2/2017 11:50 AM

BID SCHEDULE FORM

COL. 1 SEQ. NO.	COL. 2 ITEM NUMBER and DESCRIPTION	COL. 3 ENGINEER'S ESTIMATE OF QUANTITY	COL. 4 UNIT	COL. 5 UNIT PRICE (IN FIGURES) DOLLARS	COL. 6 EXTENDED AMOUNT (IN FIGURES) DOLLARS	COL. 7 CTS
144	UTL-6.07 TEST PITS FOR GAS FACILITIES (86.07) Unit price bid shall not be less than: \$ 100.00	50.00	C.Y.	100 00	5000 00	00
145	UTL-GCS-2WS GAS INTERFERENCES AND ACCOMMODATIONS PRICE BID SHALL BE FOR THE FIXED SUM OF \$ 50,000.00	1.00	F.S.	50,000 00	\$50,000 00	00

SUB-TOTAL: \$ 9,371,139.71

146	6.39 A MOBILIZATION BID PRICE OF MOBILIZATION SHALL NOT EXCEED 4% OF THE ABOVE SUB-TOTAL PRICE.	1.00	L.S.	374,840 00	374,840 00	00
-----	---	------	------	------------	------------	----

TOTAL BID PRICE: \$ 9,745,979.71

PLEASE BE SURE A LEGIBLE BID IS ENTERED FOR EACH ITEM.
 THE BIDDER SHALL INSERT THE TOTAL BID PRICE IN
 THE BID FORM ON PAGE C-4 OF THIS BID BOOKLET.

BID FORM
THE CITY OF NEW YORK
DEPARTMENT OF DESIGN AND CONSTRUCTION
DIVISION OF INFRASTRUCTURE

**BID FOR FURNISHING ALL LABOR AND
MATERIAL NECESSARY AND REQUIRED FOR:**

PROJECT ID: SEQ200490

**CONSTRUCTION OF STORM SEWER AND WATER MAIN IN
95TH STREET
BETWEEN 160TH AVE. AND 162ND AVE., ETC.**

**Together With All Work Incidental Thereto
BOROUGH OF QUEENS
CITY OF NEW YORK**

Name of Bidder: PAUL J. Scariano Inc

Date of Bid Opening: January 16, 2018

Bidder is: (Check one, whichever applies) Individual () Partnership () Corporation ()

Place of Business of Bidder: 12 Potter Avenue New Rochelle N.Y. 10801

Bidder's Telephone Number: 914-623-9200 Fax Number: 914-623-9201

Bidder's E-Mail Address: bidadmin@ipj's.com

Residence of Bidder (If Individual): _____

If Bidder is a Partnership, fill in the following blanks:

Names of Partners

Residence of Partners

If Bidder is a Corporation, fill in the following blanks:

Organized under the laws of the State of New York

Name and Home Address of President: Domini Parisi PE
9 SHIPPEN Road Armonk, N.Y.

Name and Home Address of Secretary: Paul Scariano
88 Rockledge Rd Bronxville N.Y.

Name and Home Address of Treasurer: _____

BID FORM

Paul J. Scarano Inc

The above-named Bidder affirms and declares:

1. The said bidder is of lawful age and the only one interested in this bid; and no person, firm or corporation other than hereinbefore named has any interest in this bid, or in the Contract proposed to be taken.
2. By submission of this bid, each bidder and each person signing on behalf of any bidder certifies, and in the case of a joint bid each party thereto certifies as to its own organization, under penalty of perjury, that to the best of its knowledge and belief: (1) the prices in this bid have been arrived at independently without collusion, consultation, communication or agreement, for the purpose of restricting competition, as to any matter relating to such prices with any other bidder or with any competitor; (2) unless otherwise required by law, the prices quoted in this bid have not been knowingly disclosed by the bidder and will not knowingly be disclosed by the bidder prior to opening, directly or indirectly, to any other bidder or to any competitor; and (3) No attempt has been made or will be made by the bidder to induce any other person, partnership or corporation to submit or not to submit a bid for the purpose of restricting competition.
3. No councilman or other officer or employee or person whose salary is payable in whole or in part from the City Treasury is directly or indirectly interested in this bid, or in the supplies, materials, equipment, work or labor to which it relates, or in any of the profits thereof.
4. The bidder is not in arrears to the City of New York upon debt or contract or taxes, and is not a defaulter, as surety or otherwise, upon any obligation of the City of New York, and has not been declared not responsible, or disqualified, by any agency of the City of New York or State of New York, nor is there any proceeding pending relating to the responsibility or qualification of the bidder to receive public contracts except as set forth on the Affirmation included as page C-6 of this Bid Booklet.

The bidder hereby affirms that it has paid all applicable City income, excise and other taxes for all years it has conducted business activities in New York City.

5. The bidder, as an individual, or as a member, partner, director or officer of the bidder, if the same be a firm, partnership or corporation, executes this document expressly warranting and representing that should this bid be accepted by the City and the Contract awarded to him, he and his subcontractors engaged in the performance: (1) will comply with the provisions of Section 6-108 of the Administrative Code of the City of New York and the non-discrimination provisions of Section 220a of the New York State Labor Law, as more expressly and in detail set forth in the Agreement; (2) will comply with Section 6-109 of the Administrative Code of the City of New York in relation to minimum wages and other stipulations as more expressly and in detail set forth in the Agreement; (3) have complied with the provisions of the aforesaid laws since their respective effective dates, and (4) will post notices to be furnished by the City, setting forth the requirements of the aforesaid laws in prominent and conspicuous places in each and every plant, factory, building and structure where employees engaged in the performance of the Contract can readily view it, and will continue to keep such notices posted until the supplies, materials and equipment, or work labor and services required to be furnished or rendered by the Contractor have been finally accepted by the City. In the event of any breach or violation of the foregoing, the Contractor may be subject to damages, liquidated or otherwise, cancellation of the Contract and suspension as a bidder for a period of three years. (The words, "the bidder", "he", "his", and "him" where used herein shall mean the individual bidder, firm, partnership or corporation executing this bid).

6. Compliance Report

The bidder, as an individual, or as a member, partner, director, or officer of the bidder, if the same be a firm, partnership, or corporation, (1) represents that his attention has been specifically drawn to Executive Order No. 50, dated, April 25, 1980, on Equal Employment Compliance of the contract, and (2) warrants that he will comply with the provisions of Executive Order No. 50. The Employment Report must be submitted as part of the bid.

The bidder, as an individual, or as a member, partner, director, or officer of the bidder, if the same be a firm, partnership, or corporation, executes this document expressly warranting that he will comply with: (1) the provision of the contract on providing records, Chapter 8.

7. By submission of this bid, the bidder certifies that it now has and will continue to have the financial capability to fully perform the work required for this contract. Any award of this contract will be made in reliance upon such certification. Upon request therefor, the bidder will submit written verification of such financial capability in a form that is acceptable to the department.

8. In accordance with Section 165 of the State Finance Law, the bidder agrees that tropical hardwoods, as defined in Section 165 of the State Finance Law, shall not be utilized in the performance of this Contract, except as the same are permitted by the foregoing provision of law.

9. The bidder has visited and examined the site of the work and has carefully examined the Contract in the form approved by the Corporation Counsel, and will execute the Contract and perform all its items, covenants and conditions, and will provide, furnish and deliver all the work, materials, supplies, tools and appliances for all labor and materials necessary or required for the hereinafter named work, all in strict conformity with the Contract, for the prices set forth in the Bid Schedule:

10. **M/WBE UTILIZATION PLAN:** By signing its bid, the bidder agrees to the Vendor Certification and Required Affirmations set forth below, unless a full waiver of the Participation Goals is granted. The Vendor Certification and Required Affirmations will be deemed to satisfy the requirement to complete Section V of Part II of Schedule B: M/WBE Utilization Plan.

Section V: Vendor Certification and Required Affirmations:

I hereby:

- 1) acknowledge my understanding of the M/WBE participation requirements as set forth in this Contract and the pertinent provisions of Section 6-129 of the Administrative Code of the City of New York and the rules promulgated thereunder;
- 2) affirm that the information supplied in support of the M/WBE Utilization Plan is true and correct;
- 3) agree, if awarded this Contract, to comply with the M/WBE participation requirements of this Contract, the pertinent provisions of Section 6-129, and the rules promulgated thereunder, all of which shall be deemed to be material terms of this Contract;
- 4) agree and affirm that it is a material term of this Contract that the Vendor will award the total dollar value of the M/WBE Participation Goals to certified MBEs and/or WBEs, unless a full waiver is obtained or such goals are modified by the Agency; and
- 5) agree and affirm, if awarded this Contract, to make all reasonable, good faith efforts to meet the M/WBE Participation Goals, or If a partial waiver is obtained or such goals are modified by the Agency, to meet the modified Participation Goals by soliciting and obtaining the participation of certified MBE and/or WBE firms.

(NO TEXT ON THIS PAGE)

BID FORM

PROJECT ID. : SEQ200490

TOTAL BID PRICE: In the space provided below, the Bidder shall indicate its Total Bid Price in figures. Such Total Bid Price is set forth on the final page of the Bid Schedule.

**TOTAL BID PRICE:
(a/k/a BID PROPOSAL)**


\$ 9,745,979.71

J.C.
1/16/18

BIDDER'S SIGNATURE AND AFFIDAVIT

Bidder: PAUL J. Scariano Inc

By: 
(Signature of Partner or corporate officer)



Attest:
(Corporate Seal)

Secretary of Corporate Bidder

Affidavit on the following page should be subscribed
and sworn to before a Notary Public

4

BID FORM (TO BE NOTARIZED)

AFFIDAVIT WHERE BIDDER IS AN INDIVIDUAL

STATE OF NEW YORK, COUNTY OF _____ ss:

_____ being duly sworn says:
I am the person described in and who executed the foregoing bid, and the several matters therein stated are in all respects true.

(Signature of the person who signed the Bid)

Subscribed and sworn to before me this
_____ day of _____,

Notary Public

AFFIDAVIT WHERE BIDDER IS A PARTNERSHIP

STATE OF NEW YORK, COUNTY OF _____ ss:

_____ being duly sworn says:
I am a member of _____ the firm described in and which executed the foregoing bid. I subscribed the name of the firm thereto on behalf of the firm, and the several matters therein stated are in all respects true.

(Signature of Partner who signed the Bid)

Subscribed and sworn to before me this
_____ day of _____,

Notary Public

AFFIDAVIT WHERE BIDDER IS A CORPORATION

STATE OF NEW YORK, COUNTY OF Westchester ss:

I am the Dominic Parisi PE being duly sworn says:
President of the above named corporation whose name is subscribed to and which executed the foregoing bid. I reside at Armonk N.Y.
I have knowledge of the several matters therein stated, and they are in all respects true.


(Signature of Corporate Officer who signed the Bid)

Subscribed and sworn to before me this
16th day of January, 2018


Notary Public

LAURA EISENHARDT
NOTARY PUBLIC, STATE OF NEW YORK
NO. 43-4985933
QUALIFIED IN RICHMOND COUNTY
TERM EXPIRES SEPT. 3, 2021

AFFIRMATION

PROJECT ID. SEO200490

The undersigned bidder affirms and declares that said bidder is not in arrears to the City of New York upon debt, contract or taxes and is not a defaulter, as surety or otherwise, upon obligation to the City of New York, and has not been declared not responsible, or disqualified, by any agency of the City of New York, nor is there any proceeding pending relating to the responsibility or qualification of the bidder to receive public contracts except: NONE

(If none, the bidder shall insert the word "None" in the space provided above.)

Full Name of Bidder: Paul J. Scariano Inc
Address: 12 Potter Avenue
City New Rochelle State New York Zip Code 10801

CHECK ONE BOX AND INCLUDE APPROPRIATE NUMBER:

A - Individual or Sole Proprietorship*
SOCIAL SECURITY NUMBER

B - Partnership, Joint Venture or other unincorporated organization
EMPLOYER IDENTIFICATION NUMBER

C - Corporation
EMPLOYER IDENTIFICATION NUMBER

 11-3304697

By: *[Signature]*
Signature

Title: President

If a corporation, place seal here

This affirmation must be signed by an officer or duly authorized representative.

*Under the Federal Privacy Act the furnishing of Social Security Numbers by bidders on City contracts is voluntary. Failure to provide a Social Security Number will not result in a bidder's disqualification. Social Security Numbers will be used to identify bidders, proposers or vendors to ensure their compliance with laws, to assist the City in enforcement of laws, as well as to provide the City a means of identifying of businesses which seek City contracts.

(NO TEXT ON THIS PAGE)

**BID BOND 1
FORM OF BID BOND**

KNOW ALL MEN BY THESE PRESENTS. That we, _____
PAUL J. SCARIANO, INC.

12 POTTER AVENUE, NEW ROCHELLE, NY 10801

hereinafter referred to as the "Principal", and _____
FIDELITY AND DEPOSIT COMPANY OF MARYLAND

300 INTERPACE PARKWAY, MORRIS CORP, I

PARSIPPANY, NJ 07054

hereinafter referred to as the "Surety" are held and firmly bound to **THE CITY OF NEW YORK**,
hereinafter referred to as the "CITY", or to its successors and assigns in the penal sum of _____

TEN PERCENT OF AMOUNT BID

(~~\$ 10% OF BID AMOUNT~~), Dollars lawful money of the United States, for the payment of which said sum of money well and truly to be made, we, and each of us, bind ourselves, our heirs, executors, administrators, successors and assigns, jointly and severally, firmly by these presents.

Whereas, the Principal is about to submit (or has submitted) to the City the accompanying proposal, hereby made a part hereof, to enter into a contract in writing for **CONSTRUCTION OF** _____

STORM SEWER AND WATER MAIN IN 95TH STREET BETWEEN 160TH AVE. AND 162ND AVE., ETC.

BOROUGH OF QUEENS PROJECT ID: SEQ200490 PIN: 8502016SE0034C

NOW, THEREFORE, the conditions of this obligation are such that if the Principal shall not withdraw said Proposal without the consent of the City for a period of forty-five (45) days after the opening of bids and in the event of acceptance of the Principal's Proposal by the City, if the Principal shall:

(a) Within ten (10) days after notification by the City, execute in quadruplicate and deliver to the City all the executed counterparts of the Contract in the form set forth in the Contract Documents, in accordance with the proposal as accepted, and

(b) Furnish a performance bond and separate payment bond, as may be required by the City, for the faithful performance and proper fulfillment of such Contract, which bonds shall be satisfactory in all respects to the City and shall be executed by good and sufficient sureties, and

(c) In all respects perform the agreement created by the acceptance of said Proposal as provided in the Information for Bidders, bound herewith and made a part hereof, or if the City shall reject the aforesaid Proposal, then this obligation shall be null and void; otherwise to remain in full force and effect.

BID BOND 2

In the event that the Proposal of the Principal shall be accepted and the Contract be awarded to him the Surety hereunder agrees subject only to the payment by the Principal of the premium therefore, if requested by the City, to write the aforementioned performance and payment bonds in the form set forth in the Contract Documents.

It is expressly understood and agreed that the liability of the Surety for any and all claims hereunder shall in no event exceed the penal amount of this obligation as herein stated.

There shall be no liability under this bond if, in the event of the acceptance of the Principal's Proposal by the City, either a performance bond or payment bond, or both, shall not be required by the City on or before the 30th day after the date on which the City signs the Contract.

The surety, for the value received, hereby stipulates and agrees that the obligations of the Surety and its bond shall in no way be impaired or affected by any postponements of the date upon which the City will receive or open bids, or by any extensions of the time within which the City may accept the Principal's Proposal, or by any waiver by the City of any of the requirements of the Information for Bidders, and the Surety hereby waives notice of any such postponements, extensions, or waivers.

IN WITNESS WHEREOF, the Principal and the Surety have hereunto set their hands and seals and such of them as are corporations have caused their corporate seals to be hereto affixed and these presents to be signed by their proper officers the 19TH day of DECEMBER, 2017.

(Seal)

PAUL J. SCARIANO, INC. (L.S.)

Principal

By:



(Seal)

FIDELITY AND DEPOSIT COMPANY OF MARYLAND

Surety

By:


DAVID A. GOLDSTEIN, ATTORNEY - IN - FACT

BID BOND 3

ACKNOWLEDGMENT OF PRINCIPAL, IF A CORPORATION

State of New York County of Westchester ss:
On this 19th day of December, 2017, before me personally came
Dominic Paroli P.E. to me known, who, being by me duly sworn, did depose and say
that he resides at ARMONK, N.Y.
that he is the PRESIDENT of Paul J. Scariano Inc
the corporation described in and which executed the foregoing instrument; that he knows the seal of said
corporation; that one of the seals affixed to said instrument is such seal; that it was so affixed by order of
the directors of said corporation, and that he signed his name thereto by like order.

LAURA EISENHARDT
NOTARY PUBLIC, STATE OF NEW YORK
NO. 43-4985933
QUALIFIED IN RICHMOND COUNTY
TERM EXPIRES SEPT. 3, 2021

Laura Eisenhardt
Notary Public

ACKNOWLEDGMENT OF PRINCIPAL, IF A PARTNERSHIP

State of _____ County of _____ ss:
On this _____ day of _____, _____, before me personally appeared
_____ to me known and known to me to be one of the members of the
firm of _____ described in and who executed the foregoing
instrument, and he acknowledged to me that he executed the same as and for the act and deed of said
firm.

Notary Public

ACKNOWLEDGMENT OF PRINCIPAL, IF AN INDIVIDUAL

State of _____ County of _____ ss:
On this _____ day of _____, _____, before me personally appeared
_____ to me known and known to me to be the person described in
and who executed the foregoing instrument and acknowledged that he executed the same.

Notary Public

AFFIX ACKNOWLEDGMENTS AND JUSTIFICATION OF SURETIES

ACKNOWLEDGEMENT OF SURETY

State of NEW YORK)

:ss:

County of SUFFOLK)

On the 19th day of ^{December}, 2017, before me personally came DAVID A. GOLDSTEIN to me known, who, being by me duly sworn, did depose and say the (s)he resides at MERRICK, NEW YORK that (s)he is the Attorney-In-Fact of FIDELITY AND DEPOSIT COMPANY OF MARYLAND the Corporation described in and which executed the above instrument; that (s)he knows the seal of said Corporation; that one of the seals affixed by order of the Board of Directors of said Corporation; and that (s)he signed his/her name thereto by like order.



Notary Public

JOSEPH M. SCHEPIS
Notary Public, State of New York
No. 01SC5081870
Qualified in Suffolk County
Commission Expires August 9, 20 18

**ZURICH AMERICAN INSURANCE COMPANY
COLONIAL AMERICAN CASUALTY AND SURETY COMPANY
FIDELITY AND DEPOSIT COMPANY OF MARYLAND
POWER OF ATTORNEY**

KNOW ALL MEN BY THESE PRESENTS: That the ZURICH AMERICAN INSURANCE COMPANY, a corporation of the State of New York, the COLONIAL AMERICAN CASUALTY AND SURETY COMPANY, a corporation of the State of Maryland, and the FIDELITY AND DEPOSIT COMPANY OF MARYLAND a corporation of the State of Maryland (herein collectively called the "Companies"), by **MICHAEL BOND**, Vice President, in pursuance of authority granted by Article V, Section 8, of the By-Laws of said Companies, which are set forth on the reverse side hereof and are hereby certified to be in full force and effect on the date hereof, do hereby nominate, constitute, and appoint **Glenn GLUBIAK, Jennifer SPADARO, Penny ROCCO and David A. GOLDSTEIN**, all of Smithtown, New York, **EACH** its true and lawful agent and Attorney-in-Fact, to make, execute, seal and deliver, for, and on its behalf as surety, and as its act and deed: **any and all bonds and undertakings**, and the execution of such bonds or undertakings in pursuance of these presents, shall be as binding upon said Companies, as fully and amply, to all intents and purposes, as if they had been duly executed and acknowledged by the regularly elected officers of the ZURICH AMERICAN INSURANCE COMPANY at its office in New York, New York, the regularly elected officers of the COLONIAL AMERICAN CASUALTY AND SURETY COMPANY at its office in Owings Mills, Maryland., and the regularly elected officers of the FIDELITY AND DEPOSIT COMPANY OF MARYLAND at its office in Owings Mills, Maryland., in their own proper persons.

The said Vice President does hereby certify that the extract set forth on the reverse side hereof is a true copy of Article V, Section 8, of the By-Laws of said Companies, and is now in force.

IN WITNESS WHEREOF, the said Vice-President has hereunto subscribed his/her names and affixed the Corporate Seals of the said ZURICH AMERICAN INSURANCE COMPANY, COLONIAL AMERICAN CASUALTY AND SURETY COMPANY, and FIDELITY AND DEPOSIT COMPANY OF MARYLAND, this 22nd day of June, A.D. 2017.

ATTEST:

**ZURICH AMERICAN INSURANCE COMPANY
COLONIAL AMERICAN CASUALTY AND SURETY COMPANY
FIDELITY AND DEPOSIT COMPANY OF MARYLAND**



By: *Dawn E. Brown*
Assistant Secretary
Dawn E. Brown

Michael Bond
Vice President
Michael Bond

State of Maryland
County of Baltimore

On this 22nd day of June, A.D. 2017, before the subscriber, a Notary Public of the State of Maryland, duly commissioned and qualified, **MICHAEL BOND, Vice President, and DAWN E. BROWN, Assistant Secretary**, of the Companies, to me personally known to be the individuals and officers described in and who executed the preceding instrument, and acknowledged the execution of same, and being by me duly sworn, depose and saith, that he/she is the said officer of the Company aforesaid, and that the seals affixed to the preceding instrument are the Corporate Seals of said Companies, and that the said Corporate Seals and the signature as such officer were duly affixed and subscribed to the said instrument by the authority and direction of the said Corporations.

IN TESTIMONY WHEREOF, I have hereunto set my hand and affixed my Official Seal the day and year first above written.

Constance A. Dunn



Constance A. Dunn, Notary Public
My Commission Expires: July 9, 2019

FIDELITY AND DEPOSIT COMPANY

OF MARYLAND

600 Red Brook Blvd., Suite 600, Owings Mills, MD 21117

Statement of Financial Condition

As Of December 31, 2016

ASSETS

Bonds	\$ 141,903,342
Stocks	22,845,654
Cash and Short Term Investments	3,080,053
Reinsurance Recoverable	13,996,720
Other Accounts Receivable	27,147,872
TOTAL ADMITTED ASSETS	\$ 208,973,641

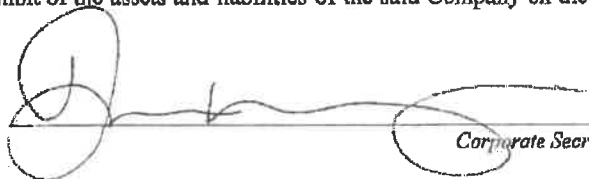
LIABILITIES, SURPLUS AND OTHER FUNDS

Reserve for Taxes and Expenses	\$ 896,428
Ceded Reinsurance Premiums Payable	40,193,693
Securities Lending Collateral Liability	0
TOTAL LIABILITIES	\$ 41,090,121
Capital Stock, Paid Up	\$ 5,000,000
Surplus	162,883,521
Surplus as regards Policyholders	167,883,520
TOTAL	\$ 208,973,641

Securities carried at \$62,166,344 in the above statement are deposited with various states as required by law.

Securities carried on the basis prescribed by the National Association of Insurance Commissioners. On the basis of market quotations for all bonds and stocks owned, the Company's total admitted assets at December 31, 2016 would be \$209,350,832 and surplus as regards policyholders \$168,260,711.

I, DENNIS F. KERRIGAN, Corporate Secretary of the FIDELITY AND DEPOSIT COMPANY OF MARYLAND, do hereby certify that the foregoing statement is a correct exhibit of the assets and liabilities of the said Company on the 31st day of December, 2016.



 Corporate Secretary

State of Illinois }
City of Schaumburg } SS:

Subscribed and sworn to, before me, a Notary Public of the State of Illinois, in the City of Schaumburg, this 1st day of March, 2017.



 Notary Public



M/WBE PROGRAM

M/WBE UTILIZATION PLAN

M/WBE Program Requirements: The requirements for the M/WBE Program are set forth on the following pages of this Bid Booklet, in the section entitled “Notice to All Prospective Contractors”.

Schedule B: M/WBE Utilization Plan: Schedule B: M/WBE Utilization Plan for this Contract is set forth in this Bid Booklet on the pages following the section entitled “Notice to All Prospective Contractors”. The M/WBE Utilization Plan (Part I) indicates whether Participation Goals have been established for this Contract. If Participation Goals have been established for this Contract, the bidder must submit an M/WBE Utilization Plan (Part II) with its bid.

Waiver: The bidder may seek a full or partial pre-award waiver of the Participation Goals in accordance with the “Notice to All Prospective Contractors” (See Part A, Section 10). The bidder’s request for a waiver must be submitted at least seven (7) calendar days prior to the bid date. Waiver requests submitted after the deadline will not be considered. The form for requesting a waiver of the Participation Goals is set forth in the M/WBE Utilization Plan (Part III).

Rejection of the Bid: The bidder must complete Schedule B: M/WBE Utilization Plan (Part II) set forth in this Bid Booklet on the pages following the section entitled “Notice to All Prospective Contractors”. A Schedule B submitted by the bidder which does not include the Vendor Certification and Required Affirmations (See Section V of Part II) will be deemed to be non-responsive, unless a full waiver of the Participation Goals is granted (Schedule B, Part III). In the event that the City determines that the bidder has submitted a Schedule B where the Vendor Certification and Required Affirmations are completed but other aspects of the Schedule B are not complete, or contain a copy or computation error that is at odds with the Vendor Certification and Required Affirmations, the bidder will be notified by the Agency and will be given four (4) calendar days from receipt of notification to cure the specified deficiencies and return a completed Schedule B to the Agency. Failure to do so will result in a determination that the Bid is non-responsive. Receipt of notification is defined as the date notice is emailed or faxed (if the bidder has provided an email address or fax number), or no later than five (5) calendar days from the date of mailing or upon delivery, if delivered.

Impact on LBE Requirements: If Participation Goals have been established for the participation of M/WBEs, the contractor is not required to comply with the Locally Based Enterprise Program (“LBE”). The LBE Program is set forth in Article 67 of the Contract.

NOTICE TO ALL PROSPECTIVE CONTRACTORS

PARTICIPATION BY MINORITY-OWNED AND WOMEN-OWNED BUSINESS ENTERPRISES IN CITY PROCUREMENT

ARTICLE I. M/WBE PROGRAM

Local Law No. 129 of 2005 added and Local Law 1 of 2013 amended Section 6-129 of the Administrative Code of the City of New York (hereinafter "Section 6-129"). Section 6-129 establishes the program for participation in City procurement ("M/WBE Program") by minority-owned business enterprises ("MBEs") and women-owned business enterprises ("WBEs"), certified in accordance with Section 1304 of the New York City Charter. As stated in Section 6-129, the intent of the program is to address the impact of discrimination on the City's procurement process, and to promote the public interest in avoiding fraud and favoritism in the procurement process, increasing competition for City business, and lowering contract costs. The contract provisions contained herein are pursuant to Section 6-129, and the rules of the Department of Small Business Services ("DSBS") promulgated thereunder.

If this Contract is subject to the M/WBE Program established by Section 6-129, the specific requirements of MBE and/or WBE participation for this Contract are set forth in Schedule B of the Contract (entitled the "M/WBE Utilization Plan"), and are detailed below. The Contractor must comply with all applicable MBE and WBE requirements for this Contract.

All provisions of Section 6-129 are hereby incorporated in the Contract by reference and all terms used herein that are not defined herein shall have the meanings given such terms in Section 6-129. Article I, Part A, below, sets forth provisions related to the participation goals for construction, standard and professional services contracts. Article I, Part B, below, sets forth miscellaneous provisions related to the M/WBE Program.

PART A

PARTICIPATION GOALS FOR CONSTRUCTION, STANDARD AND PROFESSIONAL SERVICES CONTRACTS OR TASK ORDERS

1. The MBE and/or WBE Participation Goals established for this Contract or Task Orders issued pursuant to this Contract, ("Participation Goals"), as applicable, are set forth on Schedule B, Part I to this Contract (see Page 1, line 1 Total Participation Goals) or will be set forth on Schedule B, Part I to Task Orders issued pursuant to this Contract, as applicable.

The Participation Goals represent a percentage of the total dollar value of the Contract or Task Order, as applicable, that may be achieved by awarding subcontracts to firms certified with New York City Department of Small Business Services as MBEs and/or WBEs, and/or by crediting the participation of prime contractors and/or qualified joint ventures as provided in Section 3 below, unless the goals have been waived or modified by Agency in accordance with Section 6-129 and Part A, Sections 10 and 11 below, respectively.

2. If Participation Goals have been established for this Contract or Task Orders issued pursuant to this Contract, Contractor agrees or shall agree as a material term of the Contract that Contractor shall be subject to the Participation Goals, unless the goals are waived or modified by Agency in accordance with Section 6-129 and Part A, Sections 10 and 11 below, respectively.

3. If Participation Goals have been established for this Contract or Task Order issued pursuant to this Contract, a Contractor that is an MBE and/or WBE shall be permitted to count its own participation toward fulfillment of the relevant Participation Goal, provided that in accordance with Section 6-129 the value of Contractor's participation shall be determined by subtracting from the total value of the Contract or Task Order, as applicable, any amounts that the Contractor pays to direct subcontractors (as defined in Section 6-129(c)(13)), and provided further that a Contractor that is certified as both an MBE and a WBE may count its own participation either toward the goal for MBEs or the goal for WBEs, but not both.

A Contractor that is a qualified joint venture (as defined in Section 6-129(c)(30)) shall be permitted to count a percentage of its own participation toward fulfillment of the relevant **Participation Goal**. In accordance with Section 6-129, the value of Contractor's participation shall be determined by subtracting from the total value of the Contract or Task Order, as applicable, any amounts that Contractor pays to direct subcontractors, and then multiplying the remainder by the percentage to be applied to total profit to determine the amount to which an MBE or WBE is entitled pursuant to the joint venture agreement, provided that where a participant in a joint venture is certified as both an MBE and a WBE, such amount shall be counted either toward the goal for MBEs or the goal for WBEs, but not both.

4. A. If **Participation Goals** have been established for this Contract, a prospective contractor shall be required to submit with its bid or proposal, as applicable, a completed Schedule B, M/WBE Utilization Plan, Part II (see Pages 2-4) indicating: (a) whether the contractor is an MBE or WBE, or qualified joint venture; (b) the percentage of work it intends to award to direct subcontractors; and (c) in cases where the contractor intends to award direct subcontracts, a description of the type and dollar value of work designated for participation by MBEs and/or WBEs, and the time frames in which such work is scheduled to begin and end. In the event that this M/WBE Utilization Plan indicates that the bidder or proposer, as applicable, does not intend to meet the **Participation Goals**, the bid or proposal, as applicable, shall be deemed non-responsive, unless Agency has granted the bidder or proposer, as applicable, a pre- award waiver of the Participation Goals in accordance with Section 6-129 and Part A, Section 10 below.

B. (i) If this Contract is for a master services agreement or other requirements type contract that will result in the issuance of Task Orders that will be individually registered ("Master Services Agreement") and is subject to M/WBE **Participation Goals**, a prospective contractor shall be required to submit with its bid or proposal, as applicable, a completed Schedule B, M/WBE Participation Requirements for Master Services Agreements That Will Require Individually Registered Task Orders, Part II (page 2) indicating the prospective contractor's certification and required affirmations to make all reasonable good faith efforts to meet participation goals established on each individual Task Order issued pursuant to this Contract, or if a partial waiver is obtained or such goals are modified by the Agency, to meet the modified **Participation Goals** by soliciting and obtaining the participation of certified MBE and/or WBE firms. In the event that the Schedule B indicates that the bidder or proposer, as applicable, does not intend to meet the **Participation Goals** that may be established on Task Orders issued pursuant to this Contract, the bid or proposal, as applicable, shall be deemed nonresponsive.

(ii) **Participation Goals** on a Master Services Agreement will be established for individual Task Orders issued after the Master Services Agreement is awarded. If **Participation Goals** have been established on a Task Order, a contractor shall be required to submit a Schedule B – M/WBE Utilization Plan For Independently Registered Task Orders That Are Issued Pursuant to Master Services Agreements, Part II (see Pages 2-4) indicating: (a) whether the contractor is an MBE or WBE, or qualified joint venture; (b) the percentage of work it intends to award to direct subcontractors; and (c) in cases where the contractor intends to award direct subcontracts, a description of the type and dollar value of work designated for participation by MBEs and/or WBEs, and the time frames in which such work is scheduled to begin and end. The contractor must engage in good faith efforts to meet the **Participation Goals** as established for the Task Order unless Agency has granted the contractor a pre-award waiver of the Participation Goals in accordance with Section 6-129 and Part A, Section 10 below.

C. **THE BIDDER/PROPOSER MUST COMPLETE THE SCHEDULE B INCLUDED HEREIN (SCHEDULE B, PART II). A SCHEDULE B SUBMITTED BY THE BIDDER/PROPOSER WHICH DOES NOT INCLUDE THE VENDOR CERTIFICATION AND REQUIRED AFFIRMATIONS (SEE SECTION V OF PART II) WILL BE DEEMED TO BE NON-RESPONSIVE, UNLESS A FULL WAIVER OF THE PARTICIPATION GOALS IS GRANTED (SCHEDULE B, PART III). IN THE EVENT THAT THE CITY DETERMINES THAT THE BIDDER/PROPOSER HAS SUBMITTED A SCHEDULE B WHERE THE VENDOR CERTIFICATION AND REQUIRED AFFIRMATIONS ARE COMPLETED BUT OTHER ASPECTS OF THE SCHEDULE B ARE NOT COMPLETE, OR CONTAIN A COPY OR COMPUTATION ERROR THAT IS AT ODDS WITH THE VENDOR CERTIFICATION AND AFFIRMATIONS, THE BIDDER/PROPOSER WILL BE NOTIFIED BY THE AGENCY AND WILL BE GIVEN FOUR (4) CALENDAR DAYS FROM RECEIPT OF NOTIFICATION TO CURE THE SPECIFIED DEFICIENCIES AND RETURN A COMPLETED SCHEDULE B TO THE AGENCY. FAILURE TO DO**

SO WILL RESULT IN A DETERMINATION THAT THE BID/PROPOSAL IS NON-RESPONSIVE. RECEIPT OF NOTIFICATION IS DEFINED AS THE DATE NOTICE IS E-MAILED OR FAXED (IF THE BIDDER/PROPOSER HAS PROVIDED AN E-MAIL ADDRESS OR FAX NUMBER), OR NO LATER THAN FIVE (5) CALENDAR DAYS FROM THE DATE OF MAILING OR UPON DELIVERY, IF DELIVERED.

5. Where an **M/WBE** Utilization Plan has been submitted, the Contractor shall, within 30 days of issuance by Agency of a notice to proceed, submit a list of proposed persons or entities to which it intends to award subcontracts within the subsequent 12 months. In the case of multiyear contracts, such list shall also be submitted every year thereafter. The Agency may also require the Contractor to report periodically about the contracts awarded by its direct subcontractors to indirect subcontractors (as defined in Section 6-129(c)(22)). **PLEASE NOTE: If this Contract is a public works project subject to GML §101(5) (i.e., a contract valued at or below \$3M for projects in New York City) or if the Contract is subject to a project labor agreement in accordance with Labor Law §222, and the bidder is required to identify at the time of bid submission its intended subcontractors for the Wicks trades (plumbing and gas fitting; steam heating, hot water heating, ventilating and air conditioning (HVAC); and electric wiring), the Contractor must identify all those to which it intends to award construction subcontracts for any portion of the Wicks trade work at the time of bid submission, regardless of what point in the life of the contract such subcontracts will occur. In identifying intended subcontractors in the bid submission, bidders may satisfy any Participation Goals established for this Contract by proposing one or more subcontractors that are MBEs and/or WBEs for any portion of the Wicks trade work. In the event that the Contractor's selection of a subcontractor is disapproved, the Contractor shall have a reasonable time to propose alternate subcontractors.**

6. MBE and WBE firms must be certified by DSBS in order for the Contractor to credit such firms' participation toward the attainment of the **Participation Goals**. Such certification must occur prior to the firms' commencement of work. A list of MBE and WBE firms may be obtained from the DSBS website at www.nyc.gov/buycertified, by emailing DSBS at buyer@sbs.nyc.gov, by calling (212) 513-6356, or by visiting or writing DSBS at 110 William St., New York, New York, 10038, 7th floor. Eligible firms that have not yet been certified may contact DSBS in order to seek certification by visiting www.nyc.gov/getcertified, emailing MWBE@sbs.nyc.gov, or calling the DSBS certification helpline at (212) 513-6311. A firm that is certified as both an MBE and a WBE may be counted either toward the goal for MBEs or the goal for WBEs, but not both. No credit shall be given for participation by a graduate MBE or graduate WBE, as defined in Section 6-129(c)(20).

7. Where an **M/WBE** Utilization Plan has been submitted, the Contractor shall, with each voucher for payment, and/or periodically as Agency may require, submit statements, certified under penalty of perjury, which shall include, but not be limited to, the total amount the Contractor paid to its direct subcontractors, and, where applicable pursuant to Section 6-129(j), the total amount direct subcontractors paid to indirect subcontractors; the names, addresses and contact numbers of each MBE or WBE hired as a subcontractor by the Contractor, and, where applicable, hired by any of the Contractor's direct subcontractors; and the dates and amounts paid to each MBE or WBE. The Contractor shall also submit, along with its voucher for final payment: the total amount it paid to subcontractors, and, where applicable pursuant to Section 6-129(j), the total amount its direct subcontractors paid directly to their indirect subcontractors; and a final list, certified under penalty of perjury, which shall include the name, address and contact information of each subcontractor that is an MBE or WBE, the work performed by, and the dates and amounts paid to each.

8. If payments made to, or work performed by, MBEs or WBEs are less than the amount specified in the Contractor's **M/WBE** Utilization Plan, Agency shall take appropriate action, in accordance with Section 6-129 and Article II below, unless the Contractor has obtained a modification of its **M/WBE** Utilization Plan in accordance with Section 6-129 and Part A, Section 11 below.

9. Where an **M/WBE** Utilization Plan has been submitted, and the Contractor requests a change order the value of which exceeds the greater of 10 percent of the Contract or Task Order, as applicable, or \$500,000, Agency shall review the scope of work for the Contract or Task Order, as applicable, and the scale and types of work involved in the change order, and determine whether the **Participation Goals** should be modified.

10. Pre-award waiver of the **Participation Goals**. (a) A bidder or proposer, or contractor with respect to a Task Order, may seek a pre-award full or partial waiver of the **Participation Goals** in accordance with Section 6-129, which requests that Agency change one or more **Participation Goals** on the grounds that the **Participation Goals** are unreasonable in light of the availability of certified firms to perform the services required, or by demonstrating that it has legitimate business reasons for proposing a lower level of subcontracting in its M/WBE Utilization Plan.

(b) To apply for a full or partial waiver of the **Participation Goals**, a bidder, proposer, or contractor, as applicable, must complete Part III (Page 5) of Schedule B and submit such request no later than seven (7) calendar days prior to the date and time the bids, proposals, or Task Orders are due, in writing to the Agency by email at zhangji@ddc.nyc.gov or via facsimile at (718) 391-1886. Bidders, proposers, or contractors, as applicable, who have submitted requests will receive an Agency response by no later than two (2) calendar days prior to the due date for bids, proposals, or Task Orders; provided, however, that if that date would fall on a weekend or holiday, an Agency response will be provided by close-of-business on the business day before such weekend or holiday date.

(c) If the Agency determines that the **Participation Goals** are unreasonable in light of the availability of certified firms to perform the services required, it shall revise the solicitation and extend the deadline for bids and proposals, or revise the Task Order, as applicable.

(d) Agency may grant a full or partial waiver of the **Participation Goals** to a bidder, proposer or contractor, as applicable, who demonstrates—before submission of the bid, proposal or Task Order, as applicable—that it has legitimate business reasons for proposing the level of subcontracting in its M/WBE Utilization Plan. In making its determination, Agency shall consider factors that shall include, but not be limited to, whether the bidder, proposer or contractor, as applicable, has the capacity and the bona fide intention to perform the Contract without any subcontracting, or to perform the Contract without awarding the amount of subcontracts represented by the **Participation Goals**. In making such determination, Agency may consider whether the M/WBE Utilization Plan is consistent with past subcontracting practices of the bidder, proposer or contractor, as applicable, whether the bidder, proposer or contractor, as applicable, has made efforts to form a joint venture with a certified firm, and whether the bidder, proposer, or contractor, as applicable, has made good faith efforts to identify other portions of the Contract that it intends to subcontract.

11. Modification of M/WBE Utilization Plan. (a) A Contractor may request a modification of its M/WBE Utilization Plan after award of this Contract. **PLEASE NOTE: If this Contract is a public works project subject to GML §101(5) (i.e., a contract valued at or below \$3M for projects in New York City) or if the Contract is subject to a project labor agreement in accordance with Labor Law §222, and the bidder is required to identify at the time of bid submission its intended subcontractors for the Wicks trades (plumbing and gas fitting; steam heating, hot water heating, ventilating and air conditioning (HVAC); and electric wiring), the Contractor may request a Modification of its M/WBE Utilization Plan as part of its bid submission.** The Agency may grant a request for Modification of a Contractor's M/WBE Utilization Plan if it determines that the Contractor has established, with appropriate documentary and other evidence, that it made reasonable, good faith efforts to meet the **Participation Goals**. In making such determination, Agency shall consider evidence of the following efforts, as applicable, along with any other relevant factors:

- (i) The Contractor advertised opportunities to participate in the Contract, where appropriate, in general circulation media, trade and professional association publications and small business media, and publications of minority and women's business organizations;
- (ii) The Contractor provided notice of specific opportunities to participate in the Contract, in a timely manner, to minority and women's business organizations;
- (iii) The Contractor sent written notices, by certified mail or facsimile, in a timely manner, to advise MBEs or WBEs that their interest in the Contract was solicited;
- (iv) The Contractor made efforts to identify portions of the work that could be substituted for portions originally designated for participation by MBEs and/or WBEs in the M/WBE Utilization Plan, and for which the Contractor claims an inability to retain MBEs or WBEs;

- (v) The Contractor held meetings with MBEs and/or WBEs prior to the date their bids or proposals were due, for the purpose of explaining in detail the scope and requirements of the work for which their bids or proposals were solicited;
- (vi) The Contractor made efforts to negotiate with MBEs and/or WBEs as relevant to perform specific subcontracts, or act as suppliers or service providers;
- (vii) Timely written requests for assistance made by the Contractor to Agency's M/WBE liaison officer and to DSBS;
- (viii) Description of how recommendations made by DSBS and Agency were acted upon and an explanation of why action upon such recommendations did not lead to the desired level of participation of MBEs and/or WBEs.

Agency's M/WBE officer shall provide written notice to the Contractor of the determination.

(b) The Agency may modify the **Participation Goals** when the scope of the work has been changed by the Agency in a manner that affects the scale and types of work that the Contractor indicated in its **M/WBE Utilization Plan** would be awarded to subcontractors.

12. If this Contract is for an indefinite quantity of construction, standard or professional services or is a requirements type contract and the Contractor has submitted an **M/WBE Utilization Plan** and has committed to subcontract work to MBEs and/or WBEs in order to meet the **Participation Goals**, the Contractor will not be deemed in violation of the M/WBE Program requirements for this Contract with regard to any work which was intended to be subcontracted to an MBE and/or WBE to the extent that the Agency has determined that such work is not needed.

13. If **Participation Goals** have been established for this Contract or a Task Order issued pursuant to this Contract, at least once annually during the term of the Contract or Task Order, as applicable, Agency shall review the Contractor's progress toward attainment of its M/WBE Utilization Plan, including but not limited to, by reviewing the percentage of work the Contractor has actually awarded to MBE and/or WBE subcontractors and the payments the Contractor made to such subcontractors.

14. If **Participation Goals** have been established for this Contract or a Task Order issued pursuant to this Contract, Agency shall evaluate and assess the Contractor's performance in meeting those goals, and such evaluation and assessment shall become part of the Contractor's overall contract performance evaluation.

PART B: MISCELLANEOUS

1. The Contractor shall take notice that, if this solicitation requires the establishment of an **M/WBE Utilization Plan**, the resulting contract may be audited by DSBS to determine compliance with Section 6-129. See §6-129(e)(10). Furthermore, such resulting contract may also be examined by the City's Comptroller to assess compliance with the **M/WBE Utilization Plan**.

2. Pursuant to DSBS rules, construction contracts that include a requirement for an **M/WBE Utilization Plan** shall not be subject to the law governing Locally Based Enterprises set forth in Section 6-108.1 of the Administrative Code of the City of New York.

3. DSBS is available to assist contractors and potential contractors in determining the availability of MBEs and/or WBEs to participate as subcontractors, and in identifying opportunities that are appropriate for participation by MBEs and/or WBEs in contracts.

4. Prospective contractors are encouraged to enter into qualified joint venture agreements with MBEs and/or WBEs as defined by Section 6-129(c)(30).

5. By submitting a bid or proposal the Contractor hereby acknowledges its understanding of the M/WBE Program requirements set forth herein and the pertinent provisions of Section 6-129, and any rules promulgated thereunder, and if awarded this Contract, the Contractor hereby agrees to comply with the M/WBE Program requirements of this Contract and pertinent provisions of Section 6-129, and any rules promulgated thereunder, all of which shall be deemed to be material terms of this Contract. The Contractor hereby agrees to make all reasonable, good faith efforts to solicit and obtain the participation of MBEs and/or WBEs to meet the required **Participation Goals**.

ARTICLE II. ENFORCEMENT

1. If Agency determines that a bidder or proposer, as applicable, has, in relation to this procurement, violated Section 6-129 or the DSBS rules promulgated pursuant to Section 6-129, Agency may disqualify such bidder or proposer, as applicable, from competing for this Contract and the Agency may revoke such bidder's or proposer's prequalification status, if applicable.

2. Whenever Agency believes that the Contractor or a subcontractor is not in compliance with Section 6-129 or the DSBS rules promulgated pursuant to Section 6-129, or any provision of this Contract that implements Section 6-129, including, but not limited to any M/WBE Utilization Plan, Agency shall send a written notice to the Contractor describing the alleged noncompliance and offering the Contractor an opportunity to be heard. Agency shall then conduct an investigation to determine whether such Contractor or subcontractor is in compliance.

3. In the event that the Contractor has been found to have violated Section 6-129, the DSBS rules promulgated pursuant to Section 6-129, or any provision of this Contract that implements Section 6-129, including, but not limited to, any M/WBE Utilization Plan, Agency may determine that one of the following actions should be taken:

- (a) entering into an agreement with the Contractor allowing the Contractor to cure the violation;
- (b) revoking the Contractor's pre-qualification to bid or make proposals for future contracts;
- (c) making a finding that the Contractor is in default of the Contract;
- (d) terminating the Contract;
- (e) declaring the Contractor to be in breach of Contract;
- (f) withholding payment or reimbursement;
- (g) determining not to renew the Contract;
- (h) assessing actual and consequential damages;
- (i) assessing liquidated damages or reducing fees, provided that liquidated damages may be based on amounts representing costs of delays in carrying out the purposes of the M/WBE Program, or in meeting the purposes of the Contract, the costs of meeting utilization goals through additional procurements, the administrative costs of investigation and enforcement, or other factors set forth in the Contract;
- (j) exercising rights under the Contract to procure goods, services or construction from another contractor and charge the cost of such contract to the Contractor that has been found to be in noncompliance; or
- (k) taking any other appropriate remedy.

4. If an M/WBE Utilization Plan has been submitted, and pursuant to this Article II, Section 3, the Contractor has been found to have failed to fulfill its **Participation Goals** contained in its M/WBE Utilization Plan or the **Participation Goals** as modified by Agency pursuant to Article I, Part A, Section 11, Agency may assess liquidated damages in the amount of ten percent (10%) of the difference between the dollar amount of work required to be awarded to MBE and/or WBE firms to meet the **Participation Goals** and the dollar amount the Contractor actually awarded and paid, and/or credited, to MBE and/or WBE firms. In view of the difficulty of accurately ascertaining the loss which the City will suffer by reason of Contractor's failure to meet the **Participation Goals**, the foregoing amount is hereby fixed and agreed as the liquidated damages that the City will suffer by reason of such failure, and not as a penalty. Agency may deduct and retain out of any monies which may become due under this Contract the amount of any such liquidated damages; and in case the amount which may become due under this Contract shall be less than the amount of liquidated damages suffered by the City, the Contractor shall be liable to pay the difference.

5. Whenever Agency has reason to believe that an MBE and/or WBE is not qualified for certification, or is participating in a contract in a manner that does not serve a commercially useful function (as defined in Section 6-129(c)(8)), or has violated any provision of Section 6-129, Agency shall notify the Commissioner of DSBS who shall determine whether the certification of such business enterprise should be revoked.

6. Statements made in any instrument submitted to Agency pursuant to Section 6-129 shall be submitted under penalty of perjury and any false or misleading statement or omission shall be grounds for the application of any applicable criminal and/or civil penalties for perjury. The making of a false or fraudulent statement by an MBE and/or WBE in any instrument submitted pursuant to Section 6-129 shall, in addition, be grounds for revocation of its certification.

7. The Contractor's record in implementing its **M/WBE** Utilization Plan shall be a factor in the evaluation of its performance. Whenever Agency determines that a Contractor's compliance with an **M/WBE** Utilization Plan has been unsatisfactory, Agency shall, after consultation with the City Chief Procurement Officer, file an advice of caution form for inclusion in VENDEX as caution data.

Tax ID #: 11-3304697
SCHEDULE B – M/WBE Utilization Plan
Part I: M/WBE Participation Goals

APT E-
 PIN #: 85018B0057

Part I to be completed by contracting agency

Contract Overview

APT E- Pin # 85018B0057 FMS Project ID#: SEQ200490
 Project Title/ Agency PIN # CONSTRUCTION OF STORM SEWER AND WATER MAIN IN 95TH STREET BETWEEN 160TH AVE. AND 162ND AVE./8502016SE0034C
 Bid/Proposal Response Date JANUARY 3, 2018
 Contracting Agency Department of Design and Construction
 Agency Address 30-30 Thomson Avenue City Long Island City State NY Zip Code 11101
 Contact Person Emmanuel K. Charles Title MWBE Compliance Analyst
 Telephone # 718-391-1450 Email charlesem@ddc.nyc.gov

Project Description (attach additional pages if necessary)

PROJECT ID: SEQ200490
 CONSTRUCTION OF STORM SEWER AND WATER MAIN IN
 95TH STREET
 BETWEEN 160TH AVE. AND 162ND AVE., ETC.
 Together With All Work Incidental Thereto
 BOROUGH OF QUEENS
 CITY OF NEW YORK

M/WBE Participation Goals for Services

Enter the percentage amount for each group or for an unspecified goal. Please note that there are no goals for Asian Americans in Professional Services.

Prime Contract Industry: Construction

Group	Percentage
Unspecified*	7%
or	
Black American	UNSPECIFIED*
Hispanic American	UNSPECIFIED*
Asian American	UNSPECIFIED*
Women	UNSPECIFIED*
Total Participation Goals	7% Line 1

**Note: For this procurement, individual ethnicity and gender goals are not specified. The Total Participation Goal for construction contracts may be met by using either Black-American, Hispanic-American, Asian American, or Women certified firms or any combination of such firms.*

Tax ID #: 11-3304697

PIN #: _____

SCHEDULE B - Part II: M/WBE Participation Plan

Part II to be completed by the bidder/proposer.

Please note: For Non-M/WBE Prime Contractors who will NOT subcontract any services and will self-perform the entire contract, you must obtain a FULL waiver by completing the Waiver Application on pages 17 and 18 and timely submitting it to the contracting agency pursuant to the Notice to Prospective Contractors. Once a FULL WAIVER is granted, it must be included with your bid or proposal and you do not have to complete or submit this form with your bid or proposal.

Section I: Prime Contractor Contact Information

Tax ID #	<u>11-3304697</u>	FMS Vendor ID #	<u>0001382664</u>
Business Name	<u>Paul J Scariano Inc</u>	Contact Person	<u>Laura Eisenhardt</u>
Address	<u>12 Potter Avenue New Rochelle N.Y. 10801</u>		
Telephone #	<u>914-623-9200</u>	Email	<u>bidadmin@ipjs.com</u>

Section II: M/WBE Utilization Goal Calculation: Check the applicable box and complete subsection.

PRIME CONTRACTOR ADOPTING AGENCY M/WBE PARTICIPATION GOALS

<input checked="" type="checkbox"/> For Prime Contractors (including Qualified Joint Ventures and M/WBE firms) adopting Agency M/WBE Participation Goals. Calculate the total dollar value of your total bid that you agree will be awarded to M/WBE subcontractors for services and/or credited to an M/WBE prime contractor or Qualified Joint Venture. Please review the Notice to Prospective Contractors for more information on how to obtain credit for M/WBE participation.	Total Bid/Proposal Value	Agency Total Participation Goals (Line 1, Page 13)	Calculated M/WBE Participation Amount
	\$ <u>9,745,980</u> X	<u>7%</u>	= \$ <u>682,219.-</u> Line 2

PRIME CONTRACTOR OBTAINED PARTIAL WAIVER APPROVAL: ADOPTING MODIFIED M/WBE PARTICIPATION GOALS

<input type="checkbox"/> For Prime Contractors (including Qualified Joint Ventures and M/WBE firms) adopting Modified M/WBE Participation Goals. Calculate the total dollar value of your total bid that you agree will be awarded to M/WBE subcontractors for services and/or credited to an M/WBE prime contractor or Qualified Joint Venture. Please review the Notice to Prospective Contractors for more information on how to obtain credit for M/WBE participation.	Total Bid/Proposal Value	Adjusted Participation Goal (From Partial Waiver)	Calculated M/WBE Participation Amount
	\$ _____ X	_____	= \$ _____ Line 3

Section III: M/WBE Utilization Plan: How Proposer/Bidder Will Fulfill M/WBE Participation Goals. Please review the Notice to Prospective Contractors for more information on how to obtain credit for M/WBE participation. Check applicable box. The Proposer or Bidder will fulfill the M/WBE Participation Goals:

As an M/WBE Prime Contractor that will self-perform and/or subcontract to other M/WBE firms a portion of the contract the value of which is at least the amount located on Lines 2 or 3 above, as applicable. The value of any work subcontracted to non-M/WBE firms will not be credited towards fulfillment of M/WBE Participation Goals. Please check all that apply to Prime Contractor:

MBE WBE

As a Qualified Joint Venture with an M/WBE partner, in which the value of the M/WBE partner's participation and/or the value of any work subcontracted to other M/WBE firms is at least the amount located on Lines 2 or 3 above, as applicable. The value of any work subcontracted to non M/WBE firms will not be credited towards fulfillment of M/WBE Participation Goals.

As a non M/WBE Prime Contractor that will enter into subcontracts with M/WBE firms the value of which is at least the amount located on Lines 2 or 3 above, as applicable.

Section IV: General Contract Information

What is the expected percentage of the total contract dollar value that you expect to award in subcontracts for services, regardless of M/WBE status? % 4

Enter brief description of the type(s) and dollar value of subcontracts for all any services you plan on subcontracting if awarded this contract. For each item, indicate whether the work is designated for participation by MBEs and/or WBEs and the time frame in which such work is scheduled to begin and end. Use additional sheets if necessary.

- 1. Asphalt/Paving +/- 400K (m/wbe) duration
- 2. _____
- 3. Landscaping +/- 150K (m/wbe) last phase
- 4. _____
- 5. Hauling +/- 150K (m/wbe) duration
- 6. _____
- 7. Testing +/- 10K - duration
- 8. _____
- 9. _____
- 10. _____
- 11. _____
- 12. _____
- 13. _____
- 14. _____
- 15. _____
- 16. _____
- 17. _____

✓ **Scopes of Subcontract Work**

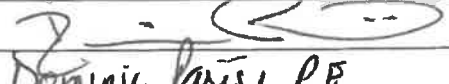
Tax ID #: 11-3304697

APT E-
PIN #: _____

Section V: Vendor Certification and Required Affirmations

I hereby:

- 1) acknowledge my understanding of the M/WBE participation requirements as set forth herein and the pertinent provisions of Section 6-129 of the Administrative Code of the City of New York ("Section 6-129"), and the rules promulgated thereunder;
- 2) affirm that the information supplied in support of this M/WBE Utilization Plan is true and correct;
- 3) agree, if awarded this Contract, to comply with the M/WBE participation requirements of this Contract, the pertinent provisions of Section 6-129, and the rules promulgated thereunder, all of which shall be deemed to be material terms of this Contract;
- 4) agree and affirm that it is a material term of this Contract that the Vendor will award the total dollar value of the M/WBE Participation Goals to certified MBEs and/or WBEs, unless a full waiver is obtained or such goals are modified by the Agency; and
- 5) agree and affirm, if awarded this Contract, to make all reasonable, good faith efforts to meet the M/WBE Participation Goals, or If a partial waiver is obtained or such goals are modified by the Agency, to meet the modified Participation Goals by soliciting and obtaining the participation of certified MBE and/or WBE firms.

Signature		Date	<u>1-15-18</u>
Print Name	<u>Dominic Parisi, P.E.</u>	Title	<u>President</u>

SCHEDULE B – PART III – REQUEST FOR WAIVER OF M/WBE PARTICIPATION REQUIREMENT

Contract Overview

Tax ID # _____ FMS Vendor ID # _____
 Business Name _____
 Contact Name _____ Telephone # _____ Email _____
 Type of Procurement Competitive Sealed Bids Other Bid/Response Due Date _____
 APT E-PIN # (for this procurement): _____ Contracting Agency: _____

M/WBE Participation Goals as described in bid/solicitation documents

_____ % Agency M/WBE Participation Goal

Proposed M/WBE Participation Goal as anticipated by vendor seeking waiver

_____ % of the total contract value anticipated in good faith by the bidder/proposer to be subcontracted for services and/or credited to an M/WBE Prime Contractor or Qualified Joint Venture.

Basis for Waiver Request: Check appropriate box & explain in detail below (attach additional pages if needed)

- Vendor does not subcontract services, and has the capacity and good faith intention to perform all such work itself with its own employees.
- Vendor subcontracts *some* of this type of work but at a *lower* % than bid/solicitation describes, and has the capacity and good faith intention to do so on this contract. (Attach subcontracting plan outlining services that the vendor will self-perform and subcontract to other vendors or consultants.)
- Vendor has other legitimate business reasons for proposing the M/WBE Participation Goal above. Explain under separate cover.

References

List 3 most recent contracts performed for NYC agencies (if any). Include information for each subcontract awarded in performance of such contracts. Add more pages if necessary.

CONTRACT NO. _____	AGENCY _____	DATE COMPLETED _____
Total Contract Amount \$ _____	Total Amount Subcontracted \$ _____	
Item of Work Subcontracted and Value of subcontract _____	Item of Work Subcontracted and Value of subcontract _____	Item of Work Subcontracted and Value of subcontract _____
CONTRACT NO. _____	AGENCY _____	DATE COMPLETED _____
Total Contract Amount \$ _____	Total Amount Subcontracted \$ _____	
Item of Work Subcontracted and Value of subcontract _____	Item of Work Subcontracted and Value of subcontract _____	Item of Work Subcontracted and Value of subcontract _____
CONTRACT NO. _____	AGENCY _____	DATE COMPLETED _____
Total Contract Amount \$ _____	Total Amount Subcontracted \$ _____	
Item of Work Subcontracted and Value of subcontract _____	Item of Work Subcontracted and Value of subcontract _____	Item of Work Subcontracted and Value of subcontract _____

List 3 most recent contracts performed for other entities. Include information for each subcontract awarded in performance of such contracts. Add more pages if necessary.

(Complete ONLY if vendor has performed fewer than 3 New York City contracts.)

TYPE OF Contract	ENTITY	DATE COMPLETED
Manager at entity that hired vendor (Name/Phone No./Email)		
Total Contract Amount \$	Total Amount Subcontracted \$	
Type of Work Subcontracted		

TYPE OF Contract	AGENCY/ENTITY	DATE COMPLETED
Manager at agency/entity that hired vendor (Name/Phone No./Email)		
Total Contract Amount \$	Total Amount Subcontracted \$	
Item of Work Subcontracted and Value of subcontract	Item of Work Subcontracted and Value of subcontract	Item of Work Subcontracted and Value of subcontract

TYPE OF Contract	AGENCY/ENTITY	DATE COMPLETED
Manager at entity that hired vendor (Name/Phone No./Email)		
Total Contract Amount \$	Total Amount Subcontracted \$	
Item of Work Subcontracted and Value of subcontract	Item of Work Subcontracted and Value of subcontract	Item of Work Subcontracted and Value of subcontract

VENDOR CERTIFICATION: I hereby affirm that the information supplied in support of this waiver request is true and correct, and that this request is made in good faith.

Signature: _____ **Date:** _____

Print Name: _____ **Title:** _____

Shaded area below is for agency completion only

AGENCY CHIEF CONTRACTING OFFICER APPROVAL

Signature: _____ **Date:** _____

CITY CHIEF PROCUREMENT OFFICER APPROVAL

Signature: _____ **Date:** _____

Waiver Determination

Full Waiver Approved:

Waiver Denied:

Partial Waiver Approved:

Revised Participation Goal: _____ %

APPRENTICESHIP PROGRAM REQUIREMENTS

Bidders are advised that the Apprenticeship Program Requirements set forth below apply to each contract for which a check mark is indicated before the word "Yes". Compliance with these requirements will be determined solely by the City.

YES NO

(1) Apprenticeship Program Requirements

Notice to Bidders: Please be advised that, pursuant to the authority granted to the City under Labor Law Section 816-b, the Department of Design and Construction hereby requires that the contractor awarded a contract as a result of this Invitation for Bids, and any of its subcontractors with subcontracts worth two million dollars or over, have, prior to entering into such contract or subcontract, apprenticeship agreements appropriate for the type and scope of work to be performed that have been registered with, and approved by, the New York State Commissioner of Labor. In addition, the contractor and its subcontractors will be required to show that such apprenticeship program/s have successfully passed the two year Probation period following the initial registration date of such program/s with the New York State Department of Labor.

The failure to prove, upon request, that these requirements have been met shall result in the contract not being awarded to the contractor or the subcontract not being approved.

Please be further advised that, pursuant to Labor Law Section 220, the allowable ratio of apprentices to journeypersons in any craft classification shall not be greater than the ratio permitted to the contractor as to its workforce on any job under the registered apprenticeship program.

(2) Apprenticeship Program Questionnaire

The bidder must submit a completed and signed Apprenticeship Program Questionnaire. The Questionnaire is set forth on the following page of the Bid Booklet.

APPRENTICESHIP PROGRAM QUESTIONNAIRE ("APQ")

Bidder Name: Paul J. Scariano Inc
Project ID Number: SEA 200490

The Bidder MUST complete, sign, and submit this Apprenticeship Program Questionnaire with its bid.

1. Does the bidder have any Apprenticeship Program agreement(s) appropriate for the type and scope of work to be performed? (Note: Participation may be by either direct sponsorship or through collective bargaining agreement(s).)

YES NO

2. Has/have the bidder's Apprenticeship Program agreement(s) been registered with, and approved by the New York State Commissioner of Labor ("NYSDOL Commissioner")?

YES NO

3. Has/have the bidder's Apprenticeship Program successfully passed the two-year Probation period following its initial registration with the New York State Department of Labor ("NYSDOL")?

YES NO

If the answers to Questions 1, 2, and 3 are "Yes". The bidder shall, in the space below (and/or attached herewith where applicable), provide the contact information for such Apprenticeship Program(s) as well as information demonstrating that such Apprenticeship Program(s) have passed the two-year Probation period following its initial registration with the NYSDOL. (The bidder may attach additional pages if necessary).

• Where the bidder directly sponsors any such apprenticeship Program(s), the bidder shall provide the following:

- The trade classification(s) covered by such program(s), and the date(s) such program(s) was/were approved by the NYSDOL Commissioner; and/or
- A copy of a letter(s) from the NYSDOL, on NYSDOL's letterhead, executed by an official thereof, which verifies/verify the trade classification(s) covered by such program(s), and the date(s) such program(s) was/were approved by the NYSDOL Commissioner and the Active status of such program(s).

• Where the bidder participates in any such Apprenticeship Program(s) through its membership in an employer organization(s) that directly sponsors such program(s) or where the employer association(s) participates in such program(s) through collective bargaining, the bidder shall provide the following:

- The contact information for the employer organization(s), and the apprenticeable trade(s) covered pursuant to the bidder's affiliation therewith, and the date such program(s) was/were approved by the NYSDOL Commissioner; or
- A letter(s) from such employer organization(s), on letterhead of such organization(s), executed by an officer, delegate or official thereof, which verifies/verify the trade classification(s) covered by such program(s) was/were approved by the NYSDOL Commissioner, and that the bidder is both a member in good standing of the identified employer organization and is subject to the provisions of the Apprenticeship Program agreement(s) sponsored thereby.

APPRENTICESHIP PROGRAM QUESTIONNAIRE ("APQ")

Project ID Number: SEQ 200480

- Where the bidder participates in any such Apprenticeship Programs through collective bargaining agreements, the bidder shall provide the following:
 - The contact information for such collective bargaining entity(ies) and the apprenticeable trade(s) covered pursuant to the bidder's affiliation therewith;
 - A letter(s) from such collective bargaining entity(ies), on letterhead of such entity(ies), executed by an officer, delegate or official thereof, which verifies/verify the bidder's status as a signatory/participant in good standing to such collective bargaining entity(ies) Apprenticeship Program Agreements.

*We have apprenticeship programs through affiliated unions.
We are members of the GCA.*

Bidder: _____

By: _____

(Signature of Partner or Corporate Officer)

Title: _____

President

Date: _____

1-15-18



THE GENERAL CONTRACTORS ASSOCIATION OF NEW YORK, INC.

Denise M. Richardson
Executive Director

June 20, 2017

Paul J. Scariano, Inc.
Attn: Ms. Laura Eisenhardt
12 Potter Avenue
New Rochelle, NY 10801

Dear Ms. Eisenhardt:

Paul J. Scariano, Inc. is a member in good standing of the General Contractors Association of New York ("GCA"). Through your membership in the GCA, you have authorized the GCA to enter into collective bargaining agreements on your behalf.

As such, your firm is signatory to the collective bargaining agreements and participates in, upholds and is subject to all provisions of those agreements, including the union(s) established and approved apprenticeship programs.

The General Contractors Association has collective bargaining agreements with the following unions:

- Laborers International Union of North America
Local 731, Heavy Construction Laborers
Local 29 Drillers and Blasters
Local 147 Tunnel Workers
Local 1010 Asphalt Pavers
- New York District Council of Carpenters
Local 1556 Dockbuilders/Timbermen
- International Union of Operating Engineers
Local 14 / 15 Operating Engineers
Local 15 C Operating Engineers Mechanics & Helpers
Local 15 D Surveyors
- International Brotherhood of Teamsters Local 282
- Metallic Lathers Local 46

Please contact me if you require additional information.

Sincerely,

William G. Tyson
Director, Labor Relations

SAFETY QUESTIONNAIRE

The bidder must include, with its bid, all information requested on this Safety Questionnaire. Failure to provide a completed and signed Safety Questionnaire at the time of bid opening may result in disqualification of the bid as non-responsive.

1. Bidder Information:

Company Name: Paul J. Scariano Inc

DDC Project Number: SEQ200490

Company Size: _____ Ten (10) employees or less
 Greater than ten (10) employees

Company has previously worked for DDC YES _____ NO

2. Type(s) of Construction Work

TYPE OF WORK	LAST 3 YEARS	THIS PROJECT
General Building Construction	/	/
Residential Building Construction	/	/
Nonresidential Building Construction	/	/
Heavy Construction, except building	/	/
Highway and Street Construction	/	/
Heavy Construction, except highways	/	/
Plumbing, Heating, HVAC	/	/
Painting and Paper Hanging	/	/
Electrical Work	/	/
Masonry, Stonework and Plastering	/	/
Carpentry and Floor Work	/	/
Roofing, Siding, and Sheet Metal	/	/
Concrete Work	/	/
Specialty Trade Contracting	/	/
Asbestos Abatement	/	/
Other (specify)	/	/

3. Experience Modification Rate:

The Experience Modification Rate (EMR) is a rating generated by the National Council of Compensation Insurance (NCCI). This rating is used to determine the contractor's premium for worker's compensation insurance. The contractor may obtain its EMR by contacting its insurance broker or the NCCI. If the contractor cannot obtain its EMR, it must submit a written explanation as to why.

The Contractor must indicate its Intrastate and Interstate EMR for the past three years. [Note: For contractors with less than three years of experience, the EMR will be considered to be 1.00].

YEAR	INTRASTATE RATE	INTERSTATE RATE
<u>2017</u>	<u>.82</u>	_____
<u>2016</u>	<u>.78</u>	_____
<u>2015</u>	<u>.76</u>	_____

If the Intrastate and/or Interstate EMR for any of the past three years is greater than 1.00, the contractor must attach, to this questionnaire, a written explanation for the rating and identify what corrective action was taken to correct the situation resulting in that rating.

4. OSHA Information:

YES NO Contractor has received a willful violation issued by OSHA or New York City Department of Buildings (NYCDOB) within the last three years.

YES NO Contractor has had an incident requiring OSHA notification within 8 hours (all work-related fatalities) or an incident requiring OSHA notification within 24 hours (all work-related in-patient hospitalizations, all amputations and all losses of an eye).

The Occupational Safety and Health Act (OSHA) of 1970 requires employers with ten or more employees, on a yearly basis to complete and maintain on file the form entitled "Log of Work-related Injuries and Illnesses". This form is commonly referred to as the OSHA 300 Log (OSHA 200 Log for 2001 and earlier).

The OSHA 300 Log must be submitted for the last three years for contractors with more than ten employees.

The Contractor must indicate the total number of hours worked by its employees, as reflected in payroll records for the past three years.

The contractor must submit the Incident Rate for Lost Time Injuries (the Incident Rate) for the past three years. The Incident Rate is calculated in accordance with the formula set forth below. For each given year, the total number of incidents is the total number of non-fatal injuries and illnesses reported on the OSHA 300 Log. The 200,000 hours represents the equivalent of 100 employees working forty hours a week, fifty weeks per year.

$$\text{Incident Rate} = \frac{\text{Total Number of Incidents} \times 200,000}{\text{Total Number of Hours Worked by Employees}}$$

YEAR	TOTAL NUMBERS OF HOURS WORKED BY EMPLOYEES	INCIDENT RATE
<u>2016</u>	<u>175,791</u>	<u>3.41</u>
<u>2015</u>	<u>156,563</u>	<u>1.28</u>
<u>2014</u>	<u>159,292</u>	<u>2.51</u>

If the contractor's Incident Rate for any of the past three years is one point higher than the Incident Rate for the type of construction it performs (listed below), the contractor must attach, to this questionnaire, a written explanation for the relatively high rate.

General Building Construction	8.5
Residential Building Construction	7.0
Nonresidential Building Construction	10.2
Heavy Construction, except building	8.7
Highway and Street Construction	9.7
Heavy Construction, except highways	8.3
Plumbing, Heating, HVAC	11.3
Painting and Paper Hanging	6.9
Electrical Work	9.5
Masonry, Stonework and Plastering	10.5
Carpentry and Floor Work	12.2
Roofing, Siding, and Sheet Metal	10.3
Concrete Work	8.6
Specialty Trade Contracting	8.6

5. Safety Performance on Previous DDC Project(s)

YES NO Contractor previously audited by the DDC Office of Site Safety.
 DDC Project Number(s): _____, _____, _____

YES NO Accident on previous DDC Project(s).
 DDC Project Number(s): _____, _____, _____

YES NO Fatality or Life-altering Injury on DDC Project(s) within the last three years.
 [Examples of a life-altering injury include loss of limb, loss of a sense (e.g., sight, hearing), or loss of neurological function].
 DDC Project Number(s): _____, _____, _____

Date: 1-15-18

By: 
 (Signature of Owner, Partner, Corporate Officer)

Title: President

Pre-Award Process

The bidder is advised that as part of the pre-award review of its bid, it may be required to submit the information described in Sections (A) through (D) below. If required, such information must be submitted by the bidder within five (5) business days following receipt of notification from DDC that it is among the low bidders. Such notification from DDC will be by facsimile or in writing and will specify the types of information must be submitted. The types of information the bidder may be required to submit are described below. In the event the bidder fails to submit the required information within the specified time frame, its bid may be rejected as nonresponsive.

(A) **Project Reference Form:** If required, the bidder must complete and submit the Project Reference Form set forth on pages 27 through 29 of this Bid Booklet. The Project Reference Form consists of 3 parts: (1) Contracts Completed by the Bidder, (2) Contracts Currently Under Construction by the Bidder, and (3) Pending Contracts Not Yet Started by the Bidder.

(B) **Copy of License:** If required, the bidder must submit a copy of the license under which the bidder will be performing the work. Such license must clearly show the following: (1) Name of the Licensee, (2) License Number, and (3) Expiration date of the License. A copy of the license will be required from bidders for the following contracts: Plumbing Work, Electrical Work and Asbestos Abatement.

(C) **Financial Information:** If required, the bidder must submit the financial information described below:

- (1) **Audited Financial Statements:** Financial statements (Balance Sheet and Income Statement) of the entity submitting the bid, as audited by an independent auditor licensed to practice as a certified public accountant (CPA). Audited financial statements for the three most recent fiscal years must be submitted. Each such financial statement must include the auditor's standard report.

If the bidder does not have audited financial statements, it must submit an affidavit attesting to the fact that the bidder does not have such statements. In addition, the bidder must submit the following documentation covering the three most recent fiscal years: signed federal tax returns, unaudited financial statements, and a "certified review letter" from a certified public accountant (CPA) verifying the unaudited financial statements.

Unless the most recent audited or unaudited financial statement was issued within ninety (90) days, the bidder must submit interim financial information that includes data on financial position and results of operation (income data) for the current fiscal year. Such information may be summarized on a monthly or quarterly basis or at other intervals.

- (2) **Schedule of Aged Accounts Receivable,** including portion due within ninety (90) days.

- (D) **Project Specific Information:** If required, the bidder must submit the project specific information described below:
- (1) Statement indicating the number of years of experience the bidder has had and in what type of construction.
 - (2) Resumes of all key personnel to be involved in the project, including the proposed project superintendent.
 - (3) List of significant pieces of equipment expected to be used for the contract, and whether such equipment is owned or leased.
 - (4) Description of work expected to be subcontracted, and to what firms, if known.
 - (5) List of key material suppliers.
 - (6) Preliminary bar chart time schedule
 - (7) Contractor's expected means of financing the project. This should be based on the assumption that the contractor is required to finance 2X average monthly billings throughout the contract period.
 - (8) Any other issues the contractor sees as impacting his ability to complete the project according to the contract.

In addition to the information described in Sections (A) through (D) above, the bidder shall submit such additional information as the Commissioner may require, including without limitation, an explanation or justification for specific unit price items.

The bidder is further advised that it may be required to attend a pre-award meeting with DDC representatives. If such a meeting is convened, the bidder will be advised as to any additional material to be provided.

Paul J. Scariano, Inc.

A. PROJECT REFERENCES – CONTRACTS COMPLETED BY THE BIDDER

List all contracts substantially completed within the last 4 years, up to a maximum of 10, in descending order of date of substantial completion.

Project & Location	Contract Type	Contract Amount (\$000)	Date Completed	Owner Reference & Tel. No.	Architect/Engineer Reference & Tel. No. if different from owner
BP-694.504A - Brooklyn Cruise Terminal-Pier 12 Shore Power Brooklyn, NY	Heavy Construction	\$ 10,835,000	March 2016	Port Authority NY NJ Ron Shaw, PE 718-551-9219	
WTC 324.828.S-01- WTC Streets Utilities-Liberty Park (Structural) WTC - Manhattan	Heavy Construction	\$ 12,543,443	September 2015	Port /authority NYNJ/ Tishman Constinction Mourad Rahman - 212-435-5516	
HH-88A - Henry Hudson Bridge Administration Building New York, NY	Heavy Construction	\$ 19,706,000	April 2017	MTA TBTA William Neubauer 212-304-5026	
D262798 - ITS Truck intrusion Warning System Bronx, NY	Heavy Construction	\$ 4,811,097	February 2017	NYS DOT Ruben Cabrera 347-996-2952	
A-36937R - Stackable Logs & Marine Doors at Three Stations Manhattan, NY	Heavy Construction	\$ 1,937,123	January 2017	NYC Transit Authority Mike Antonio 646-619-3442	
A-36908 - Component Repairs 3 Stations - Various Locations NYC	Heavy Construction	\$ 10,270,000	March 2017	NYC Transit Authority Syed Flizvi 917-789-1900	
No. 4380014 - Bush Terminal Open Piers - Brooklyn, NY	Heavy Construction	\$ 9,575,506	November 2014	NYC EDC Paul Menzel 201-803-8624	

Paul J. Scariano, Inc.

A. PROJECT REFERENCES – CONTRACTS COMPLETED BY THE BIDDER

List all contracts substantially completed within the last 4 years, up to a maximum of 10, in descending order of date of substantial completion.

Project & Location	Contract Type	Contract Amount (\$000)	Date Completed	Owner Reference & Tel. No.	Architect/Engineer Reference & Tel. No. if different from owner
WTC 324.359.01 - Final Streets & Sidewalks Streetscape-Memorial WTC Manhattan	Heavy Construction	\$ 5,314,058	May 2015	Port Authority NY NJ Tishman Construction Mourad Rahman-212-435-5516	
WTC 324.828.S-01 - WTC Streets Utilities-Liberty Park (Structural) WTC - Manhattan	Heavy Construction	\$ 12,543,443	September 2015	Port /authority NYNJ/ Tishman Construction Mourad Rahman - 212-435-5516	
WTC 324.359.02 - Final Streets & Sidewalk Surfaces- Tower II New York, NY	Heavy Construction	\$ 4,954,376	November 2014	Port Authority NY NJ Tishman Construction Mourad Rahman - 212-435-5516	
WTC 324.350.03 - Final Streets & Sidewalk Open Spaces Tower 4 WTC Manhattan	Heavy Construction	\$ 11,961,972	June 2015	Port Authority NY & NJ Tishman Construction Mourad Rahman - 212-435-5516	

Paul J. Scariano, Inc.

B. PROJECT REFERENCES - CONTRACTS CURRENTLY UNDER CONSTRUCTION BY THE BIDDER

List all contracts currently under construction even if they are not similar to the contract being awarded.

Project & Location	Contract Type	Contract Amount (\$000)	Subcontracted to Others (\$000)	Uncompleted Portion (\$000)	Date Scheduled to Complete	Owner Reference & Tel. No.	Architect/Engineer Reference & Tel. No. if different from owner
WTC 974.880.13 Vehicle Security Center WTC, Manhattan	Heavy Construction	\$ 25,767,000	\$ 15,000,000	\$ 23,035,849	April 2020	Port Authority NY & NJ Thomas White 646-837-8502	
RK-75- Demolition of Occupied Spaces Under RFK Bridge, Bronx	Heavy Construction	\$ 16,147,000	\$ 6,000,000	\$ 4,488,000	June 2018	MTA TBTA Ruben Patel 212-360-2922	
CNYG-3215M Construction of 5 Comfort Stations- Various Locations	Heavy Construction	\$ 14,736,000	\$ 5,000,000	\$ 9,363,000	Oct 2018	NYC Parks & Recreation Hamid Sabzwari 718-393-7377	
Lehman College Apex Roof - Lehman College	Heavy Construction	\$ 6,077,465	\$ 3,500,000	\$ 1,459,000	April 2018	DASNY Chris Wuest 347-590-9041	
Citywide Ferry Service Upland Work Various Locations	Heavy Construction	\$ 8,791,500	\$ 4,000,000	\$ 2,411,500	May 2018	NYCEDC/Skanska Nancy Santora 646-369-9675	
Louis Armstrong House Museum Education Center Queens, NY	Heavy Construction	\$ 16,448,136	\$ 8,000,000	\$ 16,000,000	Dec 2018	DASNY Esteban Flores 718-997-4954	

Paul J. Scariano, Inc.

B. PROJECT REFERENCES – CONTRACTS CURRENTLY UNDER CONSTRUCTION BY THE BIDDER

List all contracts currently under construction even if they are not similar to the contract being awarded.

Project & Location	Contract Type	Contract Amount (\$000)	Subcontracted to Others (\$000)	Uncompleted Portion (\$000)	Date Scheduled to Complete	Owner Reference & Tel. No.	Architect/Engineer Reference & Tel. No. if different from owner
WTC 964.944 Flood Mitigation WTC, Manhattan	Heavy Construction	\$ 11,532,000	\$ 1,000,000	\$ 10,634,000	June 2018	Port Authority NY & NJ Mourad Rahman 212-435-5516	
SEQNS001 - Sewer When & Where	Heavy Construction	\$ 7,000,000	-0-	\$ 4,500,000	Oct 2018	NYC DDC DeBoe Construction	
B-269-116M - Jesse Owens Playground Bronx	Heavy Construction	\$ 5,974,252	\$ 3,000,000	\$ 3,291,000	Sept 2018	NYC Parks & Recreation Paul Erbsoll	631-704-2851

Paul J. Scariano, Inc.

C. PROJECT REFERENCES – PENDING CONTRACTS NOT YET STARTED BY THE BIDDER

List all contracts awarded to or won by the bidder but not yet started.

Project & Location	Contract Type	Contract Amount (\$000)	Date Scheduled to Start	Owner Reference & Tel. No.	Architect/Engineer Reference & Tel. No. if different from owner
Q448-112MA Roy Wilkins Recreation Center, Queens	Roofing, Drainage, Construction of kitchen	\$ 4,369,415	February 8, 2018	NYC Parks & Recreation C. Dawson 718-760-6553	
c-40243 - Shoreline Upgrades at Kingsbridge Bus Depot, Manhattan	Installation riprap to restore & prevent erosion at shoreline	\$ 1,882,000	February 15, 2018	NYC Transit Authority Vladimir Zhadanovsky 646-252-4288	

**OFFICE OF THE MAYOR
BUREAU OF LABOR SERVICES
CONTRACT CERTIFICATE**

To be completed if the contract is less than \$1,000,000

Contractor: _____

Address: _____

Telephone Number: _____

Name and Title of Signatory: _____

Contracting Agency or Owner: _____

Project Number: _____

Proposed Contract Amount: _____

Description and Address of Proposed Contract: _____

Names of Subcontractors in the amount of 750,000 or more on this contract (if not known at this time, so state indicating that trades will be subcontracted):

I, (fill in name of person signing) _____,
hereby affirm that I am authorized by the above-named contractor to certify that said contractor's proposed contract with the above-named owner or city agency is less than \$1,000,000. This affirmation is made in accordance with Executive Order No. 50 (1980) as amended and its implementing regulations.

Date

Signature

**WILLFUL OR FRAUDULENT FALSIFICATION OF ANY DATA OR INFORMATION
SUBMITTED HEREWITH MAY RESULT IN THE TERMINATION OF ANY CONTRACT
BETWEEN THE CITY AND THE BIDDER OR CONTRACTOR AND BAR THE BIDDER OR
CONTRACTOR FROM PARTICIPATION IN ANY CITY CONTRACT FOR A PERIOD OF UP TO
THREE YEARS. FURTHER, SUCH FALSIFICATION MAY RESULT IN CRIMINAL
PROSECUTION.**

(NO TEXT ON THIS PAGE)

VENDEX COMPLIANCE

(A) **Vendex Fees:** Pursuant to Procurement Policy Board Rule 2-08(f)(2), the contractor will be charged a fee for the administration of the VENDEX system, including the Vendor Name Check process, if a Vendor Name Check review is required to be conducted by the Department of Investigation. The contractor shall also be required to pay the applicable required fees for any of its subcontractors for which Vendor Name Check reviews are required. The fee(s) will be deducted from payments made to the contractor under the contract. For contracts with an estimated value of less than or equal to \$1,000,000, the fee will be \$175 per Vendor Name Check review. For contracts with an estimated value of greater than \$1,000,000, the fee will be \$350 per Vendor Name Check review.

(B) **Confirmation of Vendex Compliance:** The Bidder shall submit this Confirmation of Vendex Compliance to the Department of Design and Construction, Contracts Section, 30-30 Thomson Avenue – First Floor, Long Island City, NY 11101.

Bid Information: The Bidder shall complete the bid information set forth below.

Name of Bidder: PAUL J. Scariano Inc
Bidder's Address: 12 Potter Avenue New Rochelle NY 10801
Bidder's Telephone Number: 914-623-9200
Bidder's Fax Number: 914-623-9201
Date of Bid Opening: 1-16-18
PROJECT ID: SE0200490

Vendex Compliance: To demonstrate compliance with Vendex requirements, the Bidder shall complete either Section (1) or Section (2) below, whichever applies.

- (1) **Submission of Vendex Questionnaires to MOCS:** By signing in the space provided below, the Bidder certifies that as of the date specified below, the Bidder has submitted Vendex Questionnaires to the Mayor's Office of Contract Services, Attn: VENDEX, 253 Broadway, 9th Floor, New York, New York 10007.

Date of Submission: _____

By: _____
(Signature of Partner or corporate officer)

Print Name: _____

- (2) **Submission of Certification of No Change to DDC:** By signing in the space provided below, the Bidder certifies that it has read the instructions in a "Vendor's Guide to Vendex" and that such instructions do not require the Bidder to submit Vendex Questionnaires. The Bidder has completed **TWO ORIGINALS** of the Certification of No Change set forth on the next page of this Bid Booklet.

By: _____
(Signature of Partner or corporate officer)

Print Name: Dominic Parisi P.E.

(NO TEXT ON THIS PAGE)

Certificate of No Change Form



- Please fill in all the fields and DO NOT leave any field blank.
- Please submit two completed forms. Copies will not be accepted.
- Please send both copies to the agency that requested it, unless you are advised to send it directly to the Mayor's Office of Contract Services (MOCS).
- A materially false statement willfully or fraudulently made in connection with this certification, and/or the failure to conduct appropriate due diligence in verifying the information that is the subject of this certification, may result in rendering the submitting entity non-responsible for the purpose of contract award.
- A materially false statement willfully or fraudulently made in connection with this certification may subject the person making the false statement to criminal charges

I, Dominic Parisi, being duly sworn, state that I have read
Enter Your Name

and understand all the items contained in the vendor questionnaire and any submission of change as identified on page one of this form and certify that as of this date, these items have not changed. I further certify that, to the best of my knowledge, information and belief, those answers are full, complete, and accurate; and that, to the best of my knowledge, information, and belief, those answers continue to be full, complete, and accurate.

In addition, I further certify on behalf of the submitting vendor that the information contained in the principal questionnaire(s) and any submission of change identified on page two of this form have not changed and have been verified and continue, to the best of my knowledge, to be full, complete and accurate.

I understand that the City of New York will rely on the information supplied in this certification as additional inducement to enter into a contract with the submitting entity.

Vendor Questionnaire *This section is required.*

This refers to the vendor questionnaire(s) submitted for the vendor doing business with the City.

Name of Submitting Entity: Paul J. Scariano, Inc.

Vendor's Address: 12 Potter Avenue New Rochelle, NY 10801

Vendor's EIN or TIN: 11-3304697 Requesting Agency: NYC ISDC

Are you submitting this Certification as a parent? (Please circle one) Yes No

Signature date on the last full vendor questionnaire signed by the submitting vendor: 10/31/16

Signature date on changed submission, if applicable, for the submitting vendor: 2/23/2017

	Principal Name	Date of Signature on last full Principal Questionnaire	Date(s) of Signature on Changed Submission (If applicable)
7	Laura Eisenhardt	10/31/2016	
8	Kenneth DeLasho	10/31/2016	

**IRAN DIVESTMENT ACT COMPLIANCE RIDER
FOR NEW YORK CITY CONTRACTORS**

The Iran Divestment Act of 2012, effective as of April 12, 2012, is codified at State Finance Law (“SFL”) §165-a and General Municipal Law (“GML”) §103-g. The Iran Divestment Act, with certain exceptions, prohibits municipalities, including the City, from entering into contracts with persons engaged in investment activities in the energy sector of Iran. Pursuant to the terms set forth in SFL §165-a and GML §103-g, a person engages in investment activities in the energy sector of Iran if:

- (a) The person provides goods or services of twenty million dollars or more in the energy sector of Iran, including a person that provides oil or liquefied natural gas tankers, or products used to construct or maintain pipelines used to transport oil or liquefied natural gas, for the energy sector of Iran; or
- (b) The person is a financial institution that extends twenty million dollars or more in credit to another person, for forty-five days or more, if that person will use the credit to provide goods or services in the energy sector in Iran and is identified on a list created pursuant to paragraph (b) of subdivision three of Section 165-a of the State Finance Law and maintained by the Commissioner of the Office of General Services.

A bid or proposal shall not be considered for award nor shall any award be made where the bidder or proposer fails to submit a signed and verified bidder’s certification.

Each bidder or proposer must certify that it is not on the list of entities engaged in investment activities in Iran created pursuant to paragraph (b) of subdivision 3 of Section 165-a of the State Finance Law. In any case where the bidder or proposer cannot certify that they are not on such list, the bidder or proposer shall so state and shall furnish with the bid or proposal a signed statement which sets forth in detail the reasons why such statement cannot be made. The City of New York may award a bid to a bidder who cannot make the certification on a case by case basis if:

- (1) The investment activities in Iran were made before the effective date of this section (i.e., April 12, 2012), the investment activities in Iran have not been expanded or renewed after the effective date of this section and the person has adopted, publicized and is implementing a formal plan to cease the investment activities in Iran and to refrain from engaging in any new investments in Iran; or
- (2) The City makes a determination that the goods or services are necessary for the City to perform its functions and that, absent such an exemption, the City would be unable to obtain the goods or services for which the contract is offered. Such determination shall be made in writing and shall be a public document.

**BIDDER'S CERTIFICATION OF COMPLIANCE WITH
IRAN DIVESTMENT ACT**


Pursuant to General Municipal Law §103-g, which generally prohibits the City from entering into contracts with persons engaged in investment activities in the energy sector of Iran, the bidder/proposer submits the following certification:

[Please Check One]

BIDDER'S CERTIFICATION

- By submission of this bid or proposal, each bidder/proposer and each person signing on behalf of any bidder/proposer certifies, and in the case of a joint bid each party thereto certifies as to its own organization, under penalty of perjury, that to the best of its knowledge and belief, that each bidder/proposer is not on the list created pursuant to paragraph (b) of subdivision 3 of Section 165-a of the State Finance Law.

- I am unable to certify that my name and the name of the bidder/proposer does not appear on the list created pursuant to paragraph (b) of subdivision 3 of Section 165-a of the State Finance Law. I have attached a signed statement setting forth in detail why I cannot so certify.




SIGNATURE
Dominik Parisi, P.E.

PRINTED NAME
President

TITLE

Sworn to before me this
15 day of Jan 2018



Notary Public

Dated: 1-15-18

**THE CITY OF NEW YORK
DEPARTMENT OF SMALL BUSINESS SERVICES
DIVISION OF LABOR SERVICES
CONTRACT COMPLIANCE UNIT
110 WILLIAMS STREET
NEW YORK, NEW YORK 10038
PHONE: (212) 513-6323
FAX: (212) 618-8879**

CONSTRUCTION

EMPLOYMENT

REPORT

(NO TEXT ON THIS PAGE)

The City of New York
 Department of Small Business Services
 Division of Labor Services
 Contract Compliance Unit
 110 William Street
 New York, New York 10038
 Phone: (212) 513 – 6323
 Fax: (212) 618-8879

**CONSTRUCTION EMPLOYMENT REPORT
 INSTRUCTIONS**

WHO MUST FILE A CONSTRUCTION EMPLOYMENT REPORT

A Construction Employment Report (ER) must be filed if you meet the following conditions:

CONTRACT FUNDING SOURCE	CONTRACTOR	CONTRACT VALUE	SUBMISSION REQUIREMENT
Federal/Federally assisted	Prime and subcontractors	\$10,000 or greater	Construction Employment Report
City and state funded	Prime contractor	\$1,000,000 or greater	
	Subcontractor	\$750,000 or greater	
			Less than \$750,000

Prime Contractor:

- A general contractor or construction manager selected to perform work on a construction project funded (in whole or in part) by the federal government with a proposed contract value of \$10,000 or more.
- A general contractor or construction manager selected to perform work on a construction project funded or assisted by the City of New York with a proposed contract value of \$1,000,000 or more.

Subcontractor:

- A subcontractor selected to perform work on a construction project funded (in whole or in part) by the federal government with a proposed contract value of \$10,000 or more.
- A subcontractor selected to perform work on a construction project funded or assisted by the City of New York with a proposed contract value of \$750,000 or more.
- A subcontractor selected to perform work on a construction project funded or assisted by the City of New York with a proposed contract value of less than \$750,000 must submit a "Less than \$750,000" certificate.

WHERE TO FILE

Employment Reports must be filed with the City agency awarding the contract. If you are a contractor or subcontractor who will be working for a private developer in receipt of funding or assistance from the City, the ER must be filed with the City agency with jurisdiction over the developer's project.

DLS REVIEW PROCESS

In accordance with Executive Order 50 (EO 50), upon receipt by DLS of a completed ER, DLS conducts a review of the contractor's current employment policies, practices and procedures, as well as perform a statistical analysis of the contractor's workforce, if necessary. The process is as follows:

1. Within five (5) business days, DLS will review the ER for completeness and accuracy. If any information is omitted or incorrect, or if necessary documents are not submitted, the submission shall be deemed incomplete and DLS will inform the contractor. The substantive compliance review does not commence until the submission is complete. **An incomplete submission will delay the review process and may preclude or interrupt the contract approval.**
2. If the ER submission is complete, the compliance review will proceed, resulting in one of the following:

Certificate of Approval

The contractor is found to be in compliance with all applicable laws and regulations. The approval is valid for 36 months.

Continued Approval Certificate

The contractor has been issued a Certificate of Approval in the previous 36 months which is good for the applicable contract.

Conditional Certificate of Compliance

The contractor is required to take corrective actions in order to be in compliance with EO 50. The contractor must meet the conditions within one month of the issue of the Conditional Certificate.

Determination of Nonperformance

The contractor has failed to take the required corrective actions stipulated in the Conditional Certificate. A determination of nonperformance may prevent a contractor from receiving an award of a contract.

HOW TO COMPLETE THE EMPLOYMENT REPORT

Contents

General Information

Part I: Contractor/Subcontractor Information

Part II: Employment Policies and Practices

Part III: Contract Bid Information and Projected and Current Workforce Forms

Signature Page

PART I: CONTRACTOR/SUBCONTRACTOR INFORMATION

- Questions 7 – 11: Please provide the required contact information for your company. All contracts must have a designated Equal Employment Officer.
- Question 12: If you are a subcontractor, you must state the name of the contractor for whom you are providing the construction services.
- Question 13: Please provide the number of permanent employees in your company.
- Question 14a-g: The Project Identification Number (PIN) and the Contract Registration ID Number (CT#) can be obtained from the City agency. Provide a description of the trade work you will perform on this project and the address where the work will be performed. Subcontractors can obtain this information from the contract they have with the prime contractor.
- Questions 15 – 18: If your company has received a valid Certificate of Approval within the past 36 months, been audited by the United States Department of Labor, Office of Federal Contract Compliance Programs (OFCCP), or if your company has submitted an ER for a different contract for which you have not yet received a compliance certificate, then you only need to complete and submit the following:
- General Information section
 - Part I - Contractor/Subcontractor Information
 - Form B - Projected Workforce
 - Signature Page

If your company is currently waiting for an approval on another contract previously submitted, be certain to identify the date on which you submitted the completed Employment Report, the name of the City contracting agency with which the contract was made, and the name and telephone number of the person to whom the Employment Report was submitted.

If your company was issued a Conditional Certificate of Approval, all required corrective actions must have been taken or DLS will not issue a Continued Certificate.

- Question 18: If the company was audited by the OFCCP, also provide the following:
- Identify the reviewing OFCCP office by its name and address
 - If an unconditional certificate of compliance was issued by the OFCCP, attach a copy of the certificate in lieu of completing Parts II and III;
 - Include copies of all corrective actions and documentation of OFCCP's performance; and
 - Provide a copy of all stated OFCCP findings.

Question 19: Please provide a copy of any Collective Bargaining Agreement(s) which is negotiated through an employer trade association on behalf of your organization or any of its affiliates.

PART II: EMPLOYMENT POLICIES AND PRACTICES

Remember to label all documents with the question number for which they are submitted.

Questions 20a – j: You must respond to the questions as to whether or not your firm has documents reflecting written policies, benefits and procedures. If so, then you must identify by name each document in which the policy(ies), procedure(s) and benefit(s) is located and submit copies of all of the document(s). If your firm follows unwritten practices or procedures, include an explanation of how they operate. Please submit the most current document(s), including all applicable amendments. Label each document and/or unwritten practice according to the question to which it corresponds (e.g. 20a, 20b, etc.)

Questions 21a – h: Inquires about the manner/methods by which you comply with the requirements of the Immigration Reform and Control Act of 1986 (IRCA).

Question 22: Inquires into where and how I-9 forms are maintained and stored.

Questions 23a – e: Inquires into whether or not there is a requirement that an applicant or employee be subjected to a medical examination at any given time. Copies of the medical information questionnaire and instructions must be submitted with the Employment Report.

Question 24: Indicate the existence and location of all statements of your firm's Equal Employment Opportunity policy and attach a copy of each statement.

Question 25: Submit any current Affirmative Action Plan(s) created pursuant to Executive Order 11246.

Question 26: If your firm or collective bargaining agreement has an internal grievance procedure, indicate this and submit a copy of the policy and procedure. If unwritten, explain its nature and operation. Explain how your firm's procedure addresses EEO complaints.

Question 27: If your employees have used the procedure in the last three (3) years, please submit an explanation in the format indicated below:

1. Number of complaint(s)	2. Nature of the complaint(s)	3. Position(s) of the complainant(s)	4. Was an investigation conducted? Y/N	5. Current status of the disposition
---------------------------	-------------------------------	--------------------------------------	---	--------------------------------------

Question 28: Indicate whether in the past three (3) years complaints have been filed with a court of law or administrative agency, naming your company as a defendant (or respondent) in a complaint alleging violation of any anti-discrimination or affirmative action laws. If yes, develop and submit a log to show, for each administrative/and or judicial action filed, the following information:

1. Name(s) of complainant(s)	2. Administrative agency or court in which action was filed	3. Nature of the complaint(s)	4. Current status	5. If not pending, the complaint's disposition
------------------------------	---	-------------------------------	-------------------	--

Question 29: Identify each job for which a physical qualification exists. Identify and explain the physical qualification(s) for each stated job. Submit job descriptions for each job and the reasons for the qualifications.

Question 30: Identify each job for which there exists any qualification related to age, race, color, national origin, sex, creed, disability, marital status, sexual orientation or citizenship status. Identify and explain the specific related qualification for each job stated. Submit job descriptions for each job and the reasons for the qualifications.

PART III: CONTRACT BID INFORMATION AND PROJECTED AND CURRENT WORKFORCE FORMS

FORM A: CONTRACT BID INFORMATION – USE OF SUBCONTRACTORS/TRADES

Your projections for the utilization of subcontractors on the proposed contract are to be provided in this section. A chart has been provided for the identification of subcontractors. Information is to be provided to the extent known at the time the ER is filed for review by DLS. If the subcontractor's name is unknown, then write "unknown". Under "ownership", enter the appropriate race/ethnic and gender code. If the contract is federally funded or assisted and the subcontractor is being utilized in accordance with applicable federal requirements with respect to Minority Business Enterprise or Woman Business Enterprise requirements, enter the appropriate code. This will also apply to state funded contracts with similar requirements for minority and female owned businesses.

FORM B: PROJECTED WORKFORCE FOR WORK TO BE PERFORMED ON THIS PROJECT

For each trade to be engaged by your company for this project, enter the projected workforce for Males and Females by trade classification in the charts provided.

FORM C: CURRENT WORKFORCE FOR WORK TO BE PERFORMED ON THIS PROJECT

For each trade *currently* engaged by your company for all work performed in NYC, enter the current workforce for Males and Females by trade classification in the charts provided.

SIGNATURE PAGE

The signatory of this Employment Report and all other documents submitted to DLS must be an official authorized to enter into a binding legal agreement. The signature page must be completed in its entirety and notarized. Only original signatures will be accepted.

The City of New York Department of Small Business Services
Division of Labor Services Contract Compliance Unit
110 William Street, New York, New York 10038
Phone: (212) 513 - 6323
Fax: (212) 618-8879

CONSTRUCTION EMPLOYMENT REPORT

GENERAL INFORMATION

1. Your contractual relationship in this contract is: Prime contractor Subcontractor
- 1a. Are M/WBE goals attached to this project? Yes No
2. Please check one of the following if your firm would like information on how to certify with the City of New York as a:
- Minority Owned Business Enterprise Locally Based Business Enterprise
 Women Owned Business Enterprise Emerging Business Enterprise
 Disadvantaged Business Enterprise
- 2a. If you are certified as an MBE, WBE, LBE, EBE or DBE, what city/state agency are you certified with? _____ Are you DBE certified? Yes No
3. Please indicate if you would like assistance from SBS in identifying certified M/WBEs for contracting opportunities: Yes No
4. Is this project subject to a project labor agreement? Yes No
5. Are you a Union contractor? Yes No If yes, please list which local(s) you affiliated with Newburgh GCA
6. Are you a Veteran owned company? Yes No

PART I: CONTRACTOR/SUBCONTRACTOR INFORMATION

7. 11-3304697 bidadmin@ipjs.com
Employer Identification Number or Federal Tax I.D. Email Address
8. Paul J. Scariano Inc
Company Name
9. 12 Potter Avenue New Rochelle NY 10801
Company Address and Zip Code
10. Paul Scariano 914-623-9200
Chief Operating Officer Telephone Number
11. Laura Eisenhart 914-623-9201
Designated Equal Opportunity Compliance Officer Telephone Number
(If same as Item #10, write "same")
12. Same
Name of Prime Contractor and Contact Person
(If same as Item #8, write "same")

13. Number of employees in your company: 125

14. Contract information:

(a) NYC DDC Contracting Agency (City Agency) (b) _____ Contract Amount

(c) _____ Procurement Identification Number (PIN) (d) _____ Contract Registration Number (CT#)

(e) _____ Projected Commencement Date (f) _____ Projected Completion Date

(g) Description and location of proposed contract:

CONSTRUCTION OF STORM SEWER - WATER MAIN IN 95th ST.
BORO - QUEENS

15. Has your firm been reviewed by the Division of Labor Services (DLS) within the past 36 months and issued a Certificate of Approval? Yes No

If yes, attach a copy of certificate.

16. Has DLS within the past month reviewed an Employment Report submission for your company and issued a Conditional Certificate of Approval? Yes No

If yes, attach a copy of certificate.

NOTE: DLS WILL NOT ISSUE A CONTINUED CERTIFICATE OF APPROVAL IN CONNECTION WITH THIS CONTRACT UNLESS THE REQUIRED CORRECTIVE ACTIONS IN PRIOR CONDITIONAL CERTIFICATES OF APPROVAL HAVE BEEN TAKEN.

17. Has an Employment Report already been submitted for a different contract (not covered by this Employment Report) for which you have not yet received compliance certificate? Yes No If yes,

Date submitted: _____
Agency to which submitted: _____
Name of Agency Person: _____
Contract No: _____
Telephone: _____

18. Has your company in the past 36 months been audited by the United States Department of Labor, Office of Federal Contract Compliance Programs (OFCCP)? Yes No

If yes,



careers
businesses
neighborhoods

Gregg Bishop
Commissioner

REC'D
SEP 17 2017

BY:

216CY455

August 31, 2017

Mr. Gus Klidas, Deputy Executive VP
Paul J. Scariano, Inc.
12 Potter Avenue
New Rochelle, NY 10801

Re: NYC Department of Design and Construction Contract (DDC); **Sub to Deboe Construction Corp.**; Project ID SEQNS001; Pin No. 8502016SE0038C; Sewer and water main installation in various locations; Borough of Queens; Contract Value: \$7,000,000.00; **Continued Certificate of Approval.**

Dear Mr. Klidas:

Please be advised that Paul J. Scariano, Inc. has already received notice of its approval status for the three (3) year period indicated in the Department of Small Business Services/Division of Labor Services' (DLS') Certificate of Approval dated **December 18, 2015 for File # 215CY390.**

As your organization continues to meet the equal employment opportunity requirements of the City of New York, DLS approves the awarding of the above-referenced contract. This approval does not extend the initial three (3) year approval (**November 18, 2015 – November 17, 2018**) referred to above.

Page 2
August 31, 2017

If you have any questions, please call **Mr. Irving Angrum** at **(212) 513-6431** or by email iangrum@sbs.nyc.gov.

Very truly yours,

Helen Wilson (TW)

Helen Wilson
Assistant Commissioner
Division of Labor Services

ia
cc: Charlette Hamamgian
Irving Angrum
File

(a) Name and address of OFCCP office.

(b) Was a Certificate of Equal Employment Compliance issued within the past 36 months?
Yes ___ No ___

If yes, attach a copy of such certificate.

(c) Were any corrective actions required or agreed to? Yes ___ No ___

If yes, attach a copy of such requirements or agreements.

(d) Were any deficiencies found? Yes ___ No ___

If yes, attach a copy of such findings.

19. Is your company or its affiliates a member or members of an employers' trade association which is responsible for negotiating collective bargaining agreements (CBA) which affect construction site hiring? Yes No ___

If yes, attach a list of such associations and all applicable CBA's.

PART II: DOCUMENTS REQUIRED

20. For the following policies or practices, attach the relevant documents (e.g., printed booklets, brochures, manuals, memoranda, etc.). If the policy(ies) are unwritten, attach a full explanation of the practices. See instructions.

- (a) Health benefit coverage/description(s) for all management, nonunion and union employees (whether company or union administered)
- (b) Disability, life, other insurance coverage/description
- (c) Employee Policy/Handbook
- (d) Personnel Policy/Manual
- (e) Supervisor's Policy/Manual *in office*
- (f) Pension plan or 401k coverage/description for all management, nonunion and union employees, whether company or union administered
- (g) Collective bargaining agreement(s).
- (h) Employment Application(s)
- (i) Employee evaluation policy/form(s).
- (j) Does your firm have medical and/or non-medical (i.e. education, military, personal, pregnancy, child care) leave policy?

21. To comply with the Immigration Reform and Control Act of 1986 when and of whom does your firm require the completion of an I-9 Form?

- | | | |
|--|---|--|
| (a) Prior to job offer | Yes ___ | No <input checked="" type="checkbox"/> |
| (b) After a conditional job offer | Yes ___ | No <input checked="" type="checkbox"/> |
| (c) After a job offer | Yes ___ | No <input checked="" type="checkbox"/> |
| (d) Within the first three days on the job | Yes <input checked="" type="checkbox"/> | No ___ |
| (e) To some applicants | Yes ___ | No <input checked="" type="checkbox"/> |
| (f) To all applicants | Yes ___ | No <input checked="" type="checkbox"/> |
| (g) To some employees | Yes ___ | No <input checked="" type="checkbox"/> |
| (h) To all employees | Yes <input checked="" type="checkbox"/> | No ___ |

22. Explain where and how completed I-9 Forms, with their supportive documentation, are maintained and made accessible.

in Employee file in office

23. Does your firm or any of its collective bargaining agreements require job applicants to take a medical examination? Yes ___ No

If yes, is the medical examination given:

- | | | |
|-----------------------------------|---------|--------|
| (a) Prior to a job offer | Yes ___ | No ___ |
| (b) After a conditional job offer | Yes ___ | No ___ |
| (c) After a job offer | Yes ___ | No ___ |
| (d) To all applicants | Yes ___ | No ___ |
| (e) Only to some applicants | Yes ___ | No ___ |

If yes, list for which applicants below and attach copies of all medical examination or questionnaire forms and instructions utilized for these examinations.

24. Do you have a written equal employment opportunity (EEO) policy? Yes No ___

If yes, list the document(s) and page number(s) where these written policies are located.

in corporate handbook

25. Does the company have a current affirmative action plan(s) (AAP)

- Minorities and Women
 Individuals with handicaps
 Other. Please specify _____

26. Does your firm or collective bargaining agreement(s) have an internal grievance procedure with respect to EEO complaints? Yes No ___

If yes, please attach a copy of this policy.

If no, attach a report detailing your firm's unwritten procedure for handling EEO complaints.

27. Has any employee, within the past three years, filed a complaint pursuant to an internal grievance procedure or with any official of your firm with respect to equal employment opportunity? Yes___ No

If yes, attach an internal complaint log. See instructions.

28. Has your firm, within the past three years, been named as a defendant (or respondent) in any administrative or judicial action where the complainant (plaintiff) alleged violation of any anti-discrimination or affirmative action laws? Yes___ No

If yes, attach a log. See instructions.

29. Are there any jobs for which there are physical qualifications? Yes___ No

If yes, list the job(s), submit a job description and state the reason(s) for the qualification(s).

30. Are there any jobs for which there are age, race, color, national origin, sex, creed, disability, marital status, sexual orientation, or citizenship qualifications? Yes___ No

If yes, list the job(s), submit a job description and state the reason(s) for the qualification(s).

SIGNATURE PAGE

I, (print name of authorized official signing) Dominic Parisi PO hereby certify that the information submitted herewith is true and complete to the best of my knowledge and belief and submitted with the understanding that compliance with New York City's equal employment requirements, as contained in Chapter 56 of the City Charter, Executive Order No. 50 (1980), as amended, and the implementing Rules and Regulations, is a contractual obligation. I also agree on behalf of the company to submit a certified copy of payroll records to the Division of Labor Services on a monthly basis.

Paul J. Scarianolac
Contractor's Name

Laura Eisenhardt Vice Pres BID Administration
Name of person who prepared this Employment Report Title

Dominic Parisi PO President
Name of official authorized to sign on behalf of the contractor Title

914-623-9200
Telephone Number

[Signature] 1-15-18
Signature of authorized official Date

If contractors are found to be underutilizing minorities and females in any given trade based on Chapter 56 Section 3H, the Division of Labor Services reserves the right to request the contractor's workforce data and to implement an employment program.

Contractors who fail to comply with the above mentioned requirements or are found to be in noncompliance may be subject to the withholding of final payment.

Willful or fraudulent falsifications of any data or information submitted herewith may result in the termination of the contract between the City and the bidder or contractor and in disapproval of future contracts for a period of up to five years. Further, such falsification may result in civil and/or criminal prosecution.

To the extent permitted by law and consistent with the proper discharge of DLS' responsibilities under Charter Chapter 56 of the City Charter and Executive Order No. 50 (1980) and the implementing Rules and Regulations, all information provided by a contractor to DLS shall be confidential.

Only original signatures accepted.

Sworn to before me this 15th day of January 2018

Laura Eisenhardt [Signature] 1-15-18
Notary Public Authorized Signature Date

FORM A. CONTRACT BID INFORMATION: USE OF SUBCONTRACTORS/TRADES

1. Do you plan to subcontractor work on this contract? Yes No
2. If yes, complete the chart below.

NOTE: All proposed subcontractors with a subcontract in excess of \$750,000 must complete an Employment Report for review and approval before the contract may be awarded and work commences.

SUBCONTRACTOR'S NAME*	OWNERSHIP (ENTER APPROPRIATE CODE LETTERS BELOW)	WORK TO BE PERFORMED BY SUBCONTRACTOR	TRADE PROJECTED FOR USE BY SUBCONTRACTOR	PROJECTED DOLLAR VALUE OF SUBCONTRACT
TBD				

*If subcontractor is presently unknown, please enter the trade (craft name).

OWNERSHIP CODES

- W: White
- B: Black
- H: Hispanic
- A: Asian
- N: Native American
- F: Female

ORM B: PROJECTED WORKFORCE

TRADE CLASSIFICATION CODES

- (J) Journeylevel Workers
- (H) Helper
- (TOT) Total by Column
- (A) Apprentice (TRN) Trainee

For each trade to be engaged by your company for this project, enter the projected workforce for Males and Females by trade classification on the charts below.

Trade: Operators

Union Affiliation, if applicable
14 / 15

Total (Col. #1-10):
2

Total Minority, Male & Female
Col. #2,3,4,5,7,8,9, & 10):
1

Total Female
Col. #6 - 10):
0

	MALES					FEMALES												
	(1)		(2)		(3)	(4)		(5)		(6)		(7)		(8)	(9)		(10)	
	White Non Hisp.	White Non Hisp.	Black Non Hisp.	Black Non Hisp.	Hisp.	Asian	Asian	Native Amer.	Native Amer.	White Non Hisp.	White Non Hisp.	Black Non Hisp.	Black Non Hisp.	Hisp.	Asian	Asian	Native Amer.	Native Amer.
J	1		1		0		0	0										
H																		
A																		
TRN																		
TOT	1		1		0		0	0										

What are the recruitment sources for you projected hires (i.e., unions, government employment office, job tap center, community outreach)?

FORM B: PROJECTED WORKFORCE

Grade: laborer

Union Affiliation, if applicable

731

Total (Col. #1-10):

6

Total Minority, Male & Female
Col. #2,3,4,5,7,8,9, & 10):

0

Total Female
Col. #6 -- 10):

0

	MALES					FEMALES				
	(1) White Non Hisp.	(2) Black Non Hisp.	(3) Hisp.	(4) Asian	(5) Native Amer.	(6) White Non Hisp.	(7) Black Non Hisp.	(8) Hisp.	(9) Asian	(10) Native Amer.
J	2	1	3	0	0					
H										
A										
TRN										
TOT	2	1	3	0	0					

What are the recruitment sources for you projected hires (i.e., unions, government employment office, job tap center, community outreach)?

ORM C: CURRENT WORKFORCE

TRADE CLASSIFICATION CODES

- (J) Journeylevel Workers
- (H) Helper
- (TOT) Total by Column
- (A) Apprentice (TRN) Trainee

For each trade currently engaged by your company for all work performed in New York City, enter the current workforce for Males and Females by trade classification on the charts below.

Trade: Carpenter

Union Affiliation, if applicable: USJ6

Total (Col. #1-10): 2

Total Minority, Male & Female (Col. #2,3,4,5,7,8,9, & 10): 0

Total Female (Col. #6 - 10): 0

	MALES					FEMALES				
	(1) White Non Hisp.	(2) Black Non Hisp.	(3) Hisp.	(4) Asian	(5) Native Amer.	(6) White Non Hisp.	(7) Black Non Hisp.	(8) Hisp.	(9) Asian	(10) Native Amer.
J	2	0	0	0	0					
H										
A										
TRN										
TOT	2	0	0	0	0					

What are the recruitment sources for you projected hires (i.e., unions, government employment office, job tap center, community outreach)?

FORM C: CURRENT WORKFORCE

Grade: laborer

Union Affiliation, if applicable
1010

Total (Col. #1-10):
4

Total Minority, Male & Female
Col. #2,3,4,5,7,8,9, & 10):
3

Total Female
Col. #6 - 10):
0

	MALES					FEMALES				
	(1) White Non Hisp.	(2) Black Non Hisp.	(3) Hisp.	(4) Asian	(5) Native Amer.	(6) White Non Hisp.	(7) Black Non Hisp.	(8) Hisp.	(9) Asian	(10) Native Amer.
J	1	0	3	0	0					
H										
A										
TRN										
TOT	1	0	3	0	0					

What are the recruitment sources for you projected hires (i.e., unions, government employment office, job tap center, community outreach)?

(NO TEXT ON THIS PAGE)

The City of New York Department of Small Business Services
Division of Labor Services Contract Compliance Unit
110 William Street, New York, New York 10038
Phone: (212) 513 - 6323
Fax: (212) 618-8879

CONSTRUCTION EMPLOYMENT REPORT

GENERAL INFORMATION

1. Your contractual relationship in this contract is: Prime contractor ___ Subcontractor x
- 1a. Are M/WBE goals attached to this project? Yes ___ No ___
2. Please check one of the following if your firm would like information on how to certify with the City of New York as a:

<input type="checkbox"/> Minority Owned Business Enterprise	<input type="checkbox"/> Locally Based Business Enterprise
<input type="checkbox"/> Women Owned Business Enterprise	<input type="checkbox"/> Emerging Business Enterprise
<input type="checkbox"/> Disadvantaged Business Enterprise	
- 2a. If you are certified as an **MBE, WBE, LBE, EBE** or **DBE**, what city/state agency are you certified with? _____ Are you DBE certified? Yes ___ No ___
3. Please indicate if you would like assistance from SBS in identifying certified M/WBEs for contracting opportunities: Yes ___ No ___
4. Is this project subject to a project labor agreement? Yes ___ No ___
5. Are you a Union contractor? Yes ___ No ___ If yes, please list which local(s) you affiliated with _____
6. Are you a Veteran owned company? Yes ___ No ___

PART I: CONTRACTOR/SUBCONTRACTOR INFORMATION

7. _____
Employer Identification Number or Federal Tax I.D. Email Address
8. _____
Company Name
9. _____
Company Address and Zip Code
10. _____
Chief Operating Officer Telephone Number
11. _____
Designated Equal Opportunity Compliance Officer Telephone Number
(If same as Item #10, write "same")
12. _____
Name of Prime Contractor and Contact Person
(If same as Item #8, write "same")

13. Number of employees in your company: _____

14. Contract information:

(a) _____ (b) _____
Contracting Agency (City Agency) Contract Amount

(c) _____ (d) _____
Procurement Identification Number (PIN) Contract Registration Number (CT#)

(e) _____ (f) _____
Projected Commencement Date Projected Completion Date

(g) Description and location of proposed contract:

15. Has your firm been reviewed by the Division of Labor Services (DLS) within the past 36 months and issued a Certificate of Approval? Yes ___ No ___

If yes, attach a copy of certificate.

16. Has DLS within the past month reviewed an Employment Report submission for your company and issued a Conditional Certificate of Approval? Yes ___ No ___

If yes, attach a copy of certificate.

NOTE: DLS WILL NOT ISSUE A CONTINUED CERTIFICATE OF APPROVAL IN CONNECTION WITH THIS CONTRACT UNLESS THE REQUIRED CORRECTIVE ACTIONS IN PRIOR CONDITIONAL CERTIFICATES OF APPROVAL HAVE BEEN TAKEN.

17. Has an Employment Report already been submitted for a different contract (not covered by this Employment Report) for which you have not yet received compliance certificate? Yes ___ No ___ If yes,

Date submitted: _____

Agency to which submitted: _____

Name of Agency Person: _____

Contract No: _____

Telephone: _____

18. Has your company in the past 36 months been audited by the United States Department of Labor, Office of Federal Contract Compliance Programs (OFCCP)? Yes ___ No ___

If yes,

(a) Name and address of OFCCP office.

(b) Was a Certificate of Equal Employment Compliance issued within the past 36 months?
Yes___ No___

If yes, attach a copy of such certificate.

(c) Were any corrective actions required or agreed to? Yes___ No___

If yes, attach a copy of such requirements or agreements.

(d) Were any deficiencies found? Yes___ No___

If yes, attach a copy of such findings.

19. Is your company or its affiliates a member or members of an employers' trade association which is responsible for negotiating collective bargaining agreements (CBA) which affect construction site hiring? Yes___ No___

If yes, attach a list of such associations and all applicable CBA's.

PART II: DOCUMENTS REQUIRED

20. For the following policies or practices, attach the relevant documents (e.g., printed booklets, brochures, manuals, memoranda, etc.). If the policy(ies) are unwritten, attach a full explanation of the practices. See instructions.

- ___ (a) Health benefit coverage/description(s) for all management, nonunion and union employees (whether company or union administered)
- ___ (b) Disability, life, other insurance coverage/description
- ___ (c) Employee Policy/Handbook
- ___ (d) Personnel Policy/Manual
- ___ (e) Supervisor's Policy/Manual
- ___ (f) Pension plan or 401k coverage/description for all management, nonunion and union employees, whether company or union administered
- ___ (g) Collective bargaining agreement(s).
- ___ (h) Employment Application(s)
- ___ (i) Employee evaluation policy/form(s).
- ___ (j) Does your firm have medical and/or non-medical (i.e. education, military, personal, pregnancy, child care) leave policy?

21. To comply with the Immigration Reform and Control Act of 1986 when and of whom does your firm require the completion of an I-9 Form?

- | | | |
|--|-----|----|
| (a) Prior to job offer | Yes | No |
| (b) After a conditional job offer | Yes | No |
| (c) After a job offer | Yes | No |
| (d) Within the first three days on the job | Yes | No |
| (e) To some applicants | Yes | No |
| (f) To all applicants | Yes | No |
| (g) To some employees | Yes | No |
| (h) To all employees | Yes | No |

22. Explain where and how completed I-9 Forms, with their supportive documentation, are maintained and made accessible.

23. Does your firm or any of its collective bargaining agreements require job applicants to take a medical examination? Yes___ No___

If yes, is the medical examination given:

- | | | |
|-----------------------------------|-----|----|
| (a) Prior to a job offer | Yes | No |
| (b) After a conditional job offer | Yes | No |
| (c) After a job offer | Yes | No |
| (d) To all applicants | Yes | No |
| (e) Only to some applicants | Yes | No |

If yes, list for which applicants below and attach copies of all medical examination or questionnaire forms and instructions utilized for these examinations.

24. Do you have a written equal employment opportunity (EEO) policy? Yes___ No___

If yes, list the document(s) and page number(s) where these written policies are located.

25. Does the company have a current affirmative action plan(s) (AAP)

___ Minorities and Women

___ Individuals with handicaps

___ Other. Please specify _____

26. Does your firm or collective bargaining agreement(s) have an internal grievance procedure with respect to EEO complaints? Yes___ No___

If yes, please attach a copy of this policy.

If no, attach a report detailing your firm's unwritten procedure for handling EEO complaints.

27. Has any employee, within the past three years, filed a complaint pursuant to an internal grievance procedure or with any official of your firm with respect to equal employment opportunity? Yes___ No___

If yes, attach an internal complaint log. See instructions.

28. Has your firm, within the past three years, been named as a defendant (or respondent) in any administrative or judicial action where the complainant (plaintiff) alleged violation of any anti-discrimination or affirmative action laws? Yes___ No___

If yes, attach a log. See instructions.

29. Are there any jobs for which there are physical qualifications? Yes___ No___

If yes, list the job(s), submit a job description and state the reason(s) for the qualification(s).

30. Are there any jobs for which there are age, race, color, national origin, sex, creed, disability, marital status, sexual orientation, or citizenship qualifications? Yes___ No___

If yes, list the job(s), submit a job description and state the reason(s) for the qualification(s).

SIGNATURE PAGE

I, (print name of authorized official signing) _____ hereby certify that the information submitted herewith is true and complete to the best of my knowledge and belief and submitted with the understanding that compliance with New York City's equal employment requirements, as contained in Chapter 56 of the City Charter, Executive Order No. 50 (1980), as amended, and the implementing Rules and Regulations, is a contractual obligation. I also agree on behalf of the company to submit a certified copy of payroll records to the Division of Labor Services on a monthly basis.

Contractor's Name

Name of person who prepared this Employment Report Title

Name of official authorized to sign on behalf of the contractor Title

Telephone Number

Signature of authorized official Date

If contractors are found to be underutilizing minorities and females in any given trade based on Chapter 56 Section 3H, the Division of Labor Services reserves the right to request the contractor's workforce data and to implement an employment program.

Contractors who fail to comply with the above mentioned requirements or are found to be in noncompliance may be subject to the withholding of final payment.

Willful or fraudulent falsifications of any data or information submitted herewith may result in the termination of the contract between the City and the bidder or contractor and in disapproval of future contracts for a period of up to five years. Further, such falsification may result in civil and/or criminal prosecution.

To the extent permitted by law and consistent with the proper discharge of DLS' responsibilities under Charter Chapter 56 of the City Charter and Executive Order No. 50 (1980) and the implementing Rules and Regulations, all information provided by a contractor to DLS shall be confidential.

Only original signatures accepted.

Sworn to before me this _____ day of _____ 20 _____

Notary Public

Authorized Signature

Date

FORM A. CONTRACT BID INFORMATION: USE OF SUBCONTRACTORS/TRADES

1. Do you plan to subcontract work on this contract? Yes ___ No ___
2. If yes, complete the chart below.

NOTE: All proposed subcontractors with a subcontract in excess of \$750,000 must complete an Employment Report for review and approval before the contract may be awarded and work commences.

SUBCONTRACTOR'S NAME*	OWNERSHIP (ENTER APPROPRIATE CODE LETTERS BELOW)	WORK TO BE PERFORMED BY SUBCONTRACTOR	TRADE PROJECTED FOR USE BY SUBCONTRACTOR	PROJECTED DOLLAR VALUE OF SUBCONTRACT

*If subcontractor is presently unknown, please enter the trade (craft name).

OWNERSHIP CODES

- W: White
- B: Black
- H: Hispanic
- A: Asian
- N: Native American
- F: Female

FORM B: PROJECTED WORKFORCE

TRADE CLASSIFICATION CODES

- (J) Journeylevel Workers
- (H) Helper
- (TOT) Total by Column
- (A) Apprentice
- (TRN) Trainee

For each trade to be engaged by your company for this project, enter the projected workforce for Males and Females by trade classification on the charts below.

Trade:

Union Affiliation, if applicable

Total (Col. #1-10):

Total Minority, Male & Female
Col. #2,3,4,5,7,8,9, & 10):

Total Female
Col. #6 - 10):

	MALES					FEMALES				
	(1) White Non Hisp.	(2) Black Non Hisp.	(3) Hisp.	(4) Asian	(5) Native Amer.	(6) White Non Hisp.	(7) Black Non Hisp.	(8) Hisp.	(9) Asian	(10) Native Amer.
J										
H										
A										
TRN										
TOT										

What are the recruitment sources for you projected hires (i.e., unions, government employment office, job tap center, community outreach)?

FORM B: PROJECTED WORKFORCE

Grade: _____

Union Affiliation, if applicable _____

Total (Col. #1-10): _____

Total Minority, Male & Female
Col. #2,3,4,5,7,8,9, & 10): _____

Total Female
Col. #6 – 10): _____

	MALES				FEMALES					
	(1) White Non Hisp.	(2) Black Non Hisp.	(3) Hisp.	(4) Asian	(5) Native Amer.	(6) White Non Hisp.	(7) Black Non Hisp.	(8) Hisp.	(9) Asian	(10) Native Amer.
J										
H										
A										
TRN										
TOT										

What are the recruitment sources for you projected hires (i.e., unions, government employment office, job tap center, community outreach)?

FORM C: CURRENT WORKFORCE

TRADE CLASSIFICATION CODES

- (J) Journeylevel Workers
- (H) Helper
- (A) Apprentice
- (TRN) Trainee
- (TOT) Total by Column

For each trade currently engaged by your company for all work performed in New York City, enter the current workforce for Males and Females by trade classification on the charts below.

Trade:	MALES					FEMALES												
	(1)		(2)		(3)	(4)		(5)		(6)		(7)		(8)	(9)		(10)	
	White Non Hisp.	Black Non Hisp.	White Non Hisp.	Black Non Hisp.	Hisp.	Asian	Native Amer.	White Non Hisp.	Black Non Hisp.	White Non Hisp.	Black Non Hisp.	Hisp.	Asian	Native Amer.				
J																		
H																		
A																		
TRN																		
TOT																		

What are the recruitment sources for you projected hires (i.e., unions, government employment office, job tap center, community outreach)?

FORM C: CURRENT WORKFORCE

Trade:

Union Affiliation, if applicable

Total (Col. #1-10):

Total Minority, Male & Female
Col. #2,3,4,5,7,8,9, & 10):

Total Female
Col. #6 - 10):

MALES

	(1)		(2)		(3)		(4)		(5)	
	White Non Hisp.	Black Non Hisp.	White Non Hisp.	Black Non Hisp.	Hisp.	Asian	Hisp.	Asian	Native Amer.	Native Amer.
J										
H										
A										
TRN										
TOT										

FEMALES

	(6)		(7)		(8)		(9)		(10)	
	White Non Hisp.	Black Non Hisp.	White Non Hisp.	Black Non Hisp.	Hisp.	Asian	Hisp.	Asian	Native Amer.	Native Amer.
J										
H										
A										
TRN										
TOT										

What are the recruitment sources for you projected hires (i.e., unions, government employment office, job tap center, community outreach)?

(NO TEXT ON THIS PAGE)

The City of New York Department of Small Business Services
Division of Labor Services Contract Compliance Unit
110 William Street, New York, New York 10038
Phone: (212) 513 - 6323 Fax: (212) 618-8879

Date _____

File Number _____

**LESS THAN \$750,000 SUBCONTRACT CERTIFICATE
(CITY, STATE AND ICIP ONLY)**

Are you currently certified as one of the following? Please check yes or no:

MBE Yes ___ No ___ WBE Yes ___ No ___ LBE Yes ___ No ___

DBE Yes ___ No ___ EBE Yes ___ No ___

If you are certified as an MBE, WBE, LBE, EBE or DBE, what city/state agency are you certified with?

Please check one of the following if your firm would like information on how to certify with the City of New York as a:

___ Minority Owned Business Enterprise

___ Locally based Business Enterprise

___ Women Owned Business Enterprise

___ Emerging Business Enterprise

___ Disadvantaged Business Enterprise

Company Name

Employer Identification Number or Federal Tax I.D

Company Address and Zip Code

Contact Person (First Name, Last Name)

Telephone Number

Fax Number

E-mail Address

Description and location of proposed subcontract: _____

Are you a Union contractor? Yes ___ No ___ If yes, please list which local(s) you affiliated with

Are you a Veteran owned company? Yes ___ No ___

Procurement Identification Number (PIN)
(City contracts only)

Contract Registration Number (CT#)
(City contracts only)

Revised 8/13

FOR OFFICIAL USE ONLY: File No. _____

Block and Lot Number
(ICIP projects only)

Contract Amount

I, (print name of authorized official signing) _____ hereby certify that I am authorized by the above-named subcontractor to certify that said subcontractor's proposed contract with the above named owner or City agency is less than \$750,000. This affirmation is made in accordance with NYC Charter Chapter 56, Executive Order No. 50 (1980) and the implementing Rules.

Willful or fraudulent falsifications of any data or information submitted herewith may result in the termination of the contract between the City and the bidder or contractor and in disapproval of future contracts for a period of up to five years. Further, such falsification may result in civil and/or criminal prosecution.

Signature of authorized official

Date

Only original signatures accepted.

Sworn to before me this _____ day of _____ 20____

Notary Public

Authorized Signature

Date



Paul J. Scariano, Inc
PJS Electric, Inc
PJS Drilling & Drilling, Inc
R. Fisher Properties, LLC
iPJS, LLC

Equal Employment Opportunity (EEO) Policy

THIS POLICY IS IN EFFECT FROM 7-22-15 UNTIL SUPERCEDED
EXECUTIVE APPROVAL: Paul S DATE: 7-22-15

Purpose:

To ensure the equal treatment of all employees and applicants for employment without unlawful discrimination as to race, creed, color, national origin, sex, age, disability, marital status, sexual orientation, religious beliefs, or citizenship status in all employment decisions, including but not limited to recruitment, hiring, compensation, training, and apprenticeship, promotion, upgrading, demotion, downgrading, layoff, recall, transfer, leaves of absence, compensation and training.

Policy Statement:

It is the strict policy of Paul J. Scariano, Inc. at each level within its organization to ensure that all individuals are treated fairly and with a uniform code of standards that apply only to each employees' ability to perform his/her job description. In this way we can ensure the equal treatment of all employees and applicants for employment without unlawful discrimination as to race, creed, color, national origin, sex, age, disability, marital status, sexual orientation, religious beliefs, genetic information, veterans status or citizenship status in all employment decisions including but not limited to recruitment, hiring, compensation, training and apprenticeship, promotion, upgrading, demotion, downgrading, transfer, lay-off and termination, and all other terms and conditions of employment.

Outreach Initiatives:

Advertise in general circulation, trade publications, State agency publications of minority or women's business focused media, etc., concerning employment opportunities. Maintain a list of minority or women's business-focused publications that may be utilized to solicit MBEs or WBEs.

Record Keeping:

We will review the qualification of all applicants and employees to ensure qualified individuals are treated in a nondiscriminatory manner when hiring, promoting and transferring.

Enforcement:

As with any corporate policy, suspected infraction of this policy are to be immediately brought to the attention of an employee's immediate supervisor. If the supervisor is the suspected party or takes no substantial action, then the employee should contact the Organizations EEO supervisor, Laura Eisenhardt by any means necessary and reasonable. An employee deemed to be working contrary to this policy will be subject to disciplinary action, including termination if so merited by the gravity of the infraction.

We have set up a website dedicated to reporting misconduct - whistleblower@ipjs.com. We are committed to keeping your issues and identity confidential. If you use our anonymous e-mail address, your information will be shared only with those who have a need to investigate or audit the claim.

THIS IS A POLICY IN THE EMPLOYEE MANUAL

Rev. 6/5/15

CITY OF NEW YORK
DEPARTMENT OF DESIGN AND CONSTRUCTION
DIVISION OF INFRASTRUCTURE

ADDENDA CONTROL SHEET

BID OPENING DATE: JANUARY 16, 2018

PROJECT NO.: SEQ200490

DESCRIPTION: CONSTRUCTION OF STORM SEWER AND WATER MAIN IN 95TH STREET

Addendum		Addendum Contains:				
No.	Date	Revised Bid Date/Time	Revised Bid Schedule	Questions & Responses	Additional Ammendments	Drawings (number)
1	12/20/2017	<input checked="" type="checkbox"/>	<input type="checkbox"/>	<input type="checkbox"/>	<input checked="" type="checkbox"/>	<input type="checkbox"/> (0)
		<input type="checkbox"/>	<input type="checkbox"/>	<input type="checkbox"/>	<input type="checkbox"/>	<input type="checkbox"/> (0)
		<input type="checkbox"/>	<input type="checkbox"/>	<input type="checkbox"/>	<input type="checkbox"/>	<input type="checkbox"/> (0)
		<input type="checkbox"/>	<input type="checkbox"/>	<input type="checkbox"/>	<input type="checkbox"/>	<input type="checkbox"/> (0)
		<input type="checkbox"/>	<input type="checkbox"/>	<input type="checkbox"/>	<input type="checkbox"/>	<input type="checkbox"/> (0)
		<input type="checkbox"/>	<input type="checkbox"/>	<input type="checkbox"/>	<input type="checkbox"/>	<input type="checkbox"/> (0)
		<input type="checkbox"/>	<input type="checkbox"/>	<input type="checkbox"/>	<input type="checkbox"/>	<input type="checkbox"/> (0)
		<input type="checkbox"/>	<input type="checkbox"/>	<input type="checkbox"/>	<input type="checkbox"/>	<input type="checkbox"/> (0)
		<input type="checkbox"/>	<input type="checkbox"/>	<input type="checkbox"/>	<input type="checkbox"/>	<input type="checkbox"/> (0)
		<input type="checkbox"/>	<input type="checkbox"/>	<input type="checkbox"/>	<input type="checkbox"/>	<input type="checkbox"/> (0)
		<input type="checkbox"/>	<input type="checkbox"/>	<input type="checkbox"/>	<input type="checkbox"/>	<input type="checkbox"/> (0)
		<input type="checkbox"/>	<input type="checkbox"/>	<input type="checkbox"/>	<input type="checkbox"/>	<input type="checkbox"/> (0)
		<input type="checkbox"/>	<input type="checkbox"/>	<input type="checkbox"/>	<input type="checkbox"/>	<input type="checkbox"/> (0)
		<input type="checkbox"/>	<input type="checkbox"/>	<input type="checkbox"/>	<input type="checkbox"/>	<input type="checkbox"/> (0)

The Table above is a guide. Refer to the referenced Addendum for specific information.

ATTACH TO CONTRACT DOCUMENTS

THE CITY OF NEW YORK
DEPARTMENT OF DESIGN AND CONSTRUCTION
INFRASTRUCTURE DIVISION
BUREAU OF DESIGN

PROJECT ID: SEQ200490

CONSTRUCTION OF STORM SEWER AND WATER MAIN IN
95TH STREET
BETWEEN 160TH AVE. AND 162ND AVE., ETC.

Together With All Work Incidental Thereto

BOROUGH OF QUEENS
CITY OF NEW YORK

ADDENDUM NO. 1

DATED: DECEMBER 20, 2017

THIS ADDENDUM IS HEREBY MADE A PART OF THE CONTRACT DOCUMENTS

1. Refer to the Bid and Contract Documents, VOLUME 1 OF 3, Attachment 1 – Bid Information on Page A-1;
Change the dates shown for Submission of Bids and for Bid Opening from “January 3, 2018” to read “January 16, 2018”.
2. Refer to the Bid and Contract Documents, VOLUME 1 OF 3, SCHEDULE B – M/WBE Utilization Plan on Page 13;
Change the date shown for Bid/Proposal Response Date from “January 3, 2018” to read “January 16, 2018”.
3. Refer to the Bid and Contract Documents, Volume 3 of 3, SCHEDULE A;
Delete Page SA-4 in its entirety;
Substitute the revised attached Page SA-4R.

END OF ADDENDUM NO. 1

By signing in the space provided below, the bidder acknowledges receipt of this Addendum consisting of ONE (1) page, and attachments consisting of ONE (1) page.

THIS ADDENDUM MUST BE SIGNED BY ALL BIDDERS AND ATTACHED TO THEIR BID

Paul J. Scavone Inc
Name of Bidder

G. Saini
GURDIP SAINI, P.E.
Associate Commissioner/Design I

By: Laura Eisenhart

Date for Substantial Completion (Reference: Article 14)

The Contractor shall substantially complete the Work within the Final Contract Duration determined in accordance with the terms and conditions set forth herein.

The Base Contract Duration for this project is 910 consecutive calendar days ("ccds").

The Final Contract Duration shall be the Base Contract Duration when a check mark is indicated before the word "NO", below, and shall be the Base Contract Duration adjusted by the table set forth below when a check mark is indicated before the word "YES", below.

YES NO

When the Final Contract Duration is indicated above to be adjusted by the table below, the table may increase the Base Contract Duration depending on the date of scheduled substantial completion to avoid a scheduled substantial completion of the Work during the winter months. The date of scheduled substantial completion shall be determined by adding the Base Contract Duration to the date specified to commence work in the written Notice to Proceed. The Final Contract Duration shall then be determined as follows:

- (a) Find the row that corresponds to the month of substantial completion based on the Base Contract Duration added to the date specified to commence work in the written Notice to Proceed.
- (b) Find the number of days to be added to the Base Contract Duration in the table below. Add that number of days to the Base Contract Duration to obtain the Final Contract Duration in consecutive calendar days.

Month of Substantial Completion based on the Base Contract Duration	Number of Days of adjustment
January	150
February	120
March	90
April	60
May	30
June	0
July	0
August	0
September	0
October	0
November –December 15	0
December 16 – December 31	180

In addition, should Item No. 9.30, "Storm Water Pollution Prevention," exist in the Contract and the required Storm Water Pollution Prevention Plan (SWPPP) does not conform to NYSDEC's recommended Standards, an additional 60 ccd shall be added to the above Final Contract Duration.

**CITY OF NEW YORK
DEPARTMENT OF DESIGN AND CONSTRUCTION
DIVISION OF INFRASTRUCTURE**

ADDENDA CONTROL SHEET

BID OPENING DATE: JANUARY 16, 2018

PROJECT NO.: SEQ200490

DESCRIPTION: CONSTRUCTION OF STORM SEWER AND WATER MAIN IN 95TH STREET

Addendum		Addendum Contains:				
No.	Date	Revised Bid Date/Time	Revised Bid Schedule	Questions & Responses	Additional Ammendments	Drawings (number)
1	12/20/2017	<input checked="" type="checkbox"/>	<input type="checkbox"/>	<input type="checkbox"/>	<input checked="" type="checkbox"/>	<input type="checkbox"/> (0)
2	12/21/2017	<input type="checkbox"/>	<input type="checkbox"/>	<input checked="" type="checkbox"/>	<input checked="" type="checkbox"/>	<input type="checkbox"/> (0)
		<input type="checkbox"/>	<input type="checkbox"/>	<input type="checkbox"/>	<input type="checkbox"/>	<input type="checkbox"/> (0)
		<input type="checkbox"/>	<input type="checkbox"/>	<input type="checkbox"/>	<input type="checkbox"/>	<input type="checkbox"/> (0)
		<input type="checkbox"/>	<input type="checkbox"/>	<input type="checkbox"/>	<input type="checkbox"/>	<input type="checkbox"/> (0)
		<input type="checkbox"/>	<input type="checkbox"/>	<input type="checkbox"/>	<input type="checkbox"/>	<input type="checkbox"/> (0)
		<input type="checkbox"/>	<input type="checkbox"/>	<input type="checkbox"/>	<input type="checkbox"/>	<input type="checkbox"/> (0)
		<input type="checkbox"/>	<input type="checkbox"/>	<input type="checkbox"/>	<input type="checkbox"/>	<input type="checkbox"/> (0)
		<input type="checkbox"/>	<input type="checkbox"/>	<input type="checkbox"/>	<input type="checkbox"/>	<input type="checkbox"/> (0)
		<input type="checkbox"/>	<input type="checkbox"/>	<input type="checkbox"/>	<input type="checkbox"/>	<input type="checkbox"/> (0)
		<input type="checkbox"/>	<input type="checkbox"/>	<input type="checkbox"/>	<input type="checkbox"/>	<input type="checkbox"/> (0)
		<input type="checkbox"/>	<input type="checkbox"/>	<input type="checkbox"/>	<input type="checkbox"/>	<input type="checkbox"/> (0)
		<input type="checkbox"/>	<input type="checkbox"/>	<input type="checkbox"/>	<input type="checkbox"/>	<input type="checkbox"/> (0)

The Table above is a guide. Refer to the referenced Addendum for specific information.

ATTACH TO CONTRACT DOCUMENTS

THE CITY OF NEW YORK
DEPARTMENT OF DESIGN AND CONSTRUCTION
INFRASTRUCTURE DIVISION
BUREAU OF DESIGN

PROJECT ID: SEQ200490

CONSTRUCTION OF STORM SEWER AND WATER MAIN IN
95TH STREET
BETWEEN 160TH AVE. AND 162ND AVE., ETC.

Together With All Work Incidental Thereto

BOROUGH OF QUEENS
CITY OF NEW YORK

ADDENDUM NO. 2

DATED: DECEMBER 21, 2017

THIS ADDENDUM IS HEREBY MADE A PART OF THE CONTRACT DOCUMENTS

1. Refer to the Bid and Contract Documents, VOLUME 1 OF 3, page 3;
Delete page 3 in its entirety;
Substitute the revised attached page 3R.
2. For additional information, see the attached ONE (1) page of "Questions Submitted by Bidders and DDC's Responses".

END OF ADDENDUM NO. 2

By signing in the space provided below, the bidder acknowledges receipt of
this Addendum consisting of ONE (1) page, and attachments consisting of TWO (2) pages.

THIS ADDENDUM MUST BE SIGNED BY ALL BIDDERS AND ATTACHED TO THEIR BID



GURDIP SAINI, P.E.
Associate Commissioner/Design I



Name of Bidder

By:



Questions Submitted by Bidders and DDC's Responses

QUESTION #1:

There is a conflict regarding the Special Experience Requirements in Volume I of 3. While the option for "Best Management Practice Work" is blackened, neither of the two sub-options (Restoration Specialist or Erosion and Sediment Control Licensed/Certified Professional) have been checked off. This has created confusion as to whether or not the Qualification Forms are needed. Please clarify if we need to submit a Qualification Form for either a Restoration Specialist or an Erosion and Sediment Control Licensed/Certified Professional.

DDC'S RESPONSE:

Please refer to article 1 of this Addendum.

SPECIAL NOTICE TO BIDDERS

SPECIAL EXPERIENCE REQUIREMENTS (Revised 03/2014)

- (A) **SPECIAL EXPERIENCE REQUIREMENTS FOR THE BIDDER:** The Special Experience Requirements set forth below apply to the bidder. Compliance with such Special Experience Requirements will be determined solely by the City prior to an award of contract. Failure to comply with the Special Experience Requirements will result in rejection of the bid as non-responsive.

The requirements in this Section (A) apply to this contract where indicated by a blackened box (■).

- The bidder must, within the last seven (7) consecutive years prior to the bid opening, have successfully completed in a timely fashion at least one (1) project similar in scope and type to the required work. Such prior project may have been performed as a prime contractor, subcontractor or sub-subcontractor.

The Special Experience Requirements next to the blackened box below apply to the bidder. If the bidder intends to perform such work itself, it must demonstrate compliance with the Special Experience Requirements. If the bidder intends to subcontract this work, the proposed subcontractor or sub-subcontractor must demonstrate compliance with the Special Experience Requirements. The contractor, subcontractor or sub-subcontractor (hereinafter referred to as the "entity") that will perform any specific area of work indicated by the blackened box below, may have performed the required prior project(s) as a prime contractor, subcontractor or sub-subcontractor. Once approved, no substitution will be permitted, unless the qualifications of the proposed replacement have been approved in writing in advance by the City.

- Trunk Water Main Work:** The entity that will perform the trunk water main work must, within the last seven (7) consecutive years prior to the bid opening, have successfully completed in a timely fashion at least one (1) project similar in scope and type to the required work.
- **Best Management Practice Work:** Best Management Practice ("BMP") Work is any item of work in the Bid Schedule that begins with the prefix "BMP". The entity that will perform any BMP Work must, within the last five (5) consecutive years prior to the bid opening, have successfully completed in a timely fashion at least three (3) projects similar in scope and type to the required work.

For professional services in connection with BMP Work, (i.e., monitoring and reporting services), the individual who will perform the required services must, within the last five (5) consecutive years prior to the bid opening, have successfully completed in a timely fashion at least three (3) projects similar in scope and type to the required work. Additional requirements are set forth below.

- The individual serving as the Restoration Specialist (Construction Monitor) must be a Registered Landscape Architect licensed by the state of New York, or must have equivalent professional experience.
- The individual serving as the Erosion and Sediment Control Licensed/Certified Professional must be a Certified Professional in Erosion and Sediment Control (CPESC), certified by CPESC, Inc.
- Micro-Tunneling/Pipe Jacking Work:** The entity that will perform the micro-tunneling/pipe jacking work must, within the last five (5) consecutive years prior to the bid opening, have successfully completed in a timely fashion at least two (2) projects similar in scope and type to the required work.
- OTHER:** _____

CITY OF NEW YORK
DEPARTMENT OF DESIGN AND CONSTRUCTION
DIVISION OF INFRASTRUCTURE

ADDENDA CONTROL SHEET

BID OPENING DATE: JANUARY 16, 2018

PROJECT NO.: SEQ200490

DESCRIPTION: CONSTRUCTION OF STORM SEWER AND WATER MAIN IN 95TH STREET

Addendum		Addendum Contains:				
No.	Date	Revised Bid Date/Time	Revised Bid Schedule	Questions & Responses	Additional Ammendments	Drawings (number)
1	12/20/2017	<input checked="" type="checkbox"/>	<input type="checkbox"/>	<input type="checkbox"/>	<input checked="" type="checkbox"/>	<input type="checkbox"/> (0)
2	12/21/2017	<input type="checkbox"/>	<input type="checkbox"/>	<input checked="" type="checkbox"/>	<input checked="" type="checkbox"/>	<input type="checkbox"/> (0)
3	12/28/2017	<input type="checkbox"/>	<input type="checkbox"/>	<input type="checkbox"/>	<input checked="" type="checkbox"/>	<input checked="" type="checkbox"/> (1)
		<input type="checkbox"/>	<input type="checkbox"/>	<input type="checkbox"/>	<input type="checkbox"/>	<input type="checkbox"/> (0)
		<input type="checkbox"/>	<input type="checkbox"/>	<input type="checkbox"/>	<input type="checkbox"/>	<input type="checkbox"/> (0)
		<input type="checkbox"/>	<input type="checkbox"/>	<input type="checkbox"/>	<input type="checkbox"/>	<input type="checkbox"/> (0)
		<input type="checkbox"/>	<input type="checkbox"/>	<input type="checkbox"/>	<input type="checkbox"/>	<input type="checkbox"/> (0)
		<input type="checkbox"/>	<input type="checkbox"/>	<input type="checkbox"/>	<input type="checkbox"/>	<input type="checkbox"/> (0)
		<input type="checkbox"/>	<input type="checkbox"/>	<input type="checkbox"/>	<input type="checkbox"/>	<input type="checkbox"/> (0)
		<input type="checkbox"/>	<input type="checkbox"/>	<input type="checkbox"/>	<input type="checkbox"/>	<input type="checkbox"/> (0)
		<input type="checkbox"/>	<input type="checkbox"/>	<input type="checkbox"/>	<input type="checkbox"/>	<input type="checkbox"/> (0)
		<input type="checkbox"/>	<input type="checkbox"/>	<input type="checkbox"/>	<input type="checkbox"/>	<input type="checkbox"/> (0)
		<input type="checkbox"/>	<input type="checkbox"/>	<input type="checkbox"/>	<input type="checkbox"/>	<input type="checkbox"/> (0)

The Table above is a guide. Refer to the referenced Addendum for specific information.

ATTACH TO CONTRACT DOCUMENTS

THE CITY OF NEW YORK
DEPARTMENT OF DESIGN AND CONSTRUCTION
INFRASTRUCTURE DIVISION
BUREAU OF DESIGN

PROJECT ID: SEQ200490

CONSTRUCTION OF STORM SEWER AND WATER MAIN IN
95TH STREET
BETWEEN 160TH AVE. AND 162ND AVE., ETC.

Together With All Work Incidental Thereto

BOROUGH OF QUEENS
CITY OF NEW YORK

ADDENDUM NO. 3

DATED: DECEMBER 28, 2017

THIS ADDENDUM IS HEREBY MADE A PART OF THE CONTRACT DOCUMENTS

1. Refer to the Contract Drawings, sheet 13 of 28;
Delete sheet 13 of 28 in its entirety;
Substitute the revised attached sheet 13R of 28.
2. Refer to the Bid and Contract Documents, Volume 1 of 3;
Insert the following "NEW NOISE REQUIREMENTS" behind the hard cover:

The bidder is notified that conformance with NYC City Council Introduction 1653-2017 (<https://laws.council.nyc.gov/legislation/int-1653-2017/>) is required for all work to be performed under this contract.

No separate payment will be made for conformance with this requirement, and the costs thereof must be included in the prices bid for all items of work.

END OF ADDENDUM NO. 3

By signing in the space provided below, the bidder acknowledges receipt of this Addendum consisting of ONE (1) page, and attachments consisting of ONE (1) page.

THIS ADDENDUM MUST BE SIGNED BY ALL BIDDERS AND ATTACHED TO THEIR BID

Pav J. Scamardo Inc
Name of Bidder

Purnima Sharma
for GURDIP SAINI, P.E.
Associate Commissioner/Design I

By: Laura Kankhant



**INFRASTRUCTURE DIVISION
BUREAU OF DESIGN**

VOLUME 1 OF 3

PROJECT ID: SEQ200490

CONSTRUCTION OF STORM SEWER AND WATER MAIN IN
95TH STREET
BETWEEN 160TH AVE. AND 162ND AVE., ETC.

Together With All Work Incidental Thereto
BOROUGH OF QUEENS
CITY OF NEW YORK

Contractor

Dated _____, 20__



**Department of
Design and
Construction**

**THE CITY OF NEW YORK
DEPARTMENT OF DESIGN AND CONSTRUCTION
DIVISION OF INFRASTRUCTURE**

30-30 THOMSON AVENUE
LONG ISLAND CITY, NEW YORK 11101-3045
TELEPHONE (718) 391-1000
WEBSITE www1.nyc.gov/site/ddc/index.page

VOLUME 2 OF 3

**INFORMATION FOR BIDDERS
CONTRACT
PERFORMANCE AND PAYMENT BONDS
PREVAILING WAGE SCHEDULE**

FOR FURNISHING ALL LABOR AND MATERIALS NECESSARY AND REQUIRED FOR:

PROJECT ID: SEQ200490

**CONSTRUCTION OF STORM SEWER AND WATER MAIN IN
95TH STREET
BETWEEN 160TH AVE. AND 162ND AVE., ETC.**

Together With All Work Incidental Thereto
**BOROUGH OF QUEENS
CITY OF NEW YORK**

FOR THE DEPARTMENT OF ENVIRONMENTAL PROTECTION
PREPARED BY
IN-HOUSE DESIGN

October 24, 2017



18-033



**Department of
Design and
Construction**

**THE CITY OF NEW YORK
DEPARTMENT OF DESIGN AND CONSTRUCTION
DIVISION OF INFRASTRUCTURE**

30-30 THOMSON AVENUE
LONG ISLAND CITY, NEW YORK 11101-3045
TELEPHONE (718) 391-1000
WEBSITE www1.nyc.gov/site/ddc/index.page

VOLUME 2 OF 3

**INFORMATION FOR BIDDERS
CONTRACT
PERFORMANCE AND PAYMENT BONDS
PREVAILING WAGE SCHEDULE**

FOR FURNISHING ALL LABOR AND MATERIALS NECESSARY AND REQUIRED FOR:



FOR THE DEPARTMENT OF ENVIRONMENTAL PROTECTION
PREPARED BY
IN-HOUSE DESIGN

October 24, 2017

CITY OF NEW YORK

**DEPARTMENT OF
DESIGN AND CONSTRUCTION
DIVISION OF INFRASTRUCTURES**

INFORMATION FOR BIDDERS

JUNE 2015

(NO TEXT ON THIS PAGE)

*CITY OF NEW YORK CITY
DEPARTMENT OF DESIGN AND CONSTRUCTION
INFORMATION FOR BIDDERS*

TABLE OF CONTENTS

SECTION 1.	DESCRIPTION AND LOCATION OF WORK	1
SECTION 2.	TIME AND PLACE FOR RECEIPT OF BIDS	1
SECTION 3.	DEFINITIONS	1
SECTION 4.	INVITATION FOR BIDS AND CONTRACT DOCUMENTS	1
SECTION 5.	PRE-BID CONFERENCE	2
SECTION 6.	AGENCY CONTACT	2
SECTION 7.	BIDDER'S OATH	2
SECTION 8.	EXAMINATION AND VIEWING OF SITE, CONSIDERATION OF OTHER SOURCES OF INFORMATION AND CHANGED CONDITIONS	2
SECTION 9.	EXAMINATION OF PROPOSED CONTRACT	3
SECTION 10.	FORM OF BID	3
SECTION 11.	IRREVOCABILITY OF BID	3
SECTION 12.	ACKNOWLEDGMENT OF AMENDMENTS	4
SECTION 13.	BID SAMPLES AND DESCRIPTIVE LITERATURE	4
SECTION 14.	PROPRIETARY INFORMATION/TRADE SECRETS	4
SECTION 15.	PRE-OPENING MODIFICATION OR WITHDRAWAL OF BIDS	4
SECTION 16.	BID EVALUATION AND AWARD	4
SECTION 17.	LATE BIDS, LATE WITHDRAWALS AND LATE MODIFICATIONS	5
SECTION 18.	WITHDRAWAL OF BIDS.	5
SECTION 19.	MISTAKE IN BIDS	5
SECTION 20.	LOW TIE BIDS	6
SECTION 21.	REJECTION OF BIDS	6
SECTION 22.	RIGHT TO APPEAL DETERMINATIONS OF NON-RESPONSIVENESS OR NON-RESPONSIBILITY AND RIGHT TO PROTEST SOLICITATIONS AND AWARD	7
SECTION 23.	AFFIRMATIVE ACTION AND EQUAL EMPLOYMENT OPPORTUNITY	7
SECTION 24.	VENDEX QUESTIONNAIRES	7
SECTION 25.	COMPLAINTS ABOUT THE BID PROCESS	8
SECTION 26.	BID, PERFORMANCE AND PAYMENT SECURITY	8
SECTION 27.	FAILURE TO EXECUTE CONTRACT	9
SECTION 28.	BIDDER RESPONSIBILITIES AND QUALIFICATIONS	9
SECTION 29.	EMPLOYMENT REPORT	10
SECTION 30.	LABOR LAW REQUIREMENTS	10
SECTION 31.	INSURANCE	10
SECTION 32.	LUMP SUM CONTRACTS	11
SECTION 33.	UNIT PRICE CONTRACTS	11
SECTION 34.	EXCISE TAX	11
SECTION 35.	LICENSES AND PERMITS	11
SECTION 36.	MULTIPLE PRIME CONTRACTORS	11
SECTION 37.	LOCALLY BASED ENTERPRISE REQUIREMENTS (LBE)	12
SECTION 38.	BID SUBMISSION REQUIREMENTS	13
SECTION 39.	COMPTROLLER'S CERTIFICATE	14
SECTION 40.	PROCUREMENT POLICY BOARD RULES	14
SECTION 41.	DDC SAFETY REQUIREMENTS	14

(NO TEXT ON THIS PAGE)

INFORMATION FOR BIDDERS

1. Description and Location of Work

The description and location of the work for which bids are requested are specified in Attachment 1, "Bid Information". Attachment 1 is included as page A-1 of the Bid Booklet.

2. Time and Place for Receipt of Bids

Sealed bids shall be received on or before the date and hour specified in Attachment 1, at which time they will be publicly opened and read aloud in the presence of the Commissioner or his or her representative, and any bidders who may desire to be present.

3. Definitions

The definitions set forth in the Procurement Policy Board Rules shall apply to this Invitation For Bids.

4. Invitation For Bids and Contract Documents

(A) Except for titles, sub-titles, headings, running headlines, tables of contents and indices (all of which are printed herein merely for convenience) the following, except for such portions thereof as may be specifically excluded, shall be deemed to be part of the Contract and the Invitation for Bids.

- (1) All provisions required by law to be inserted in this Contract, whether actually inserted or not
- (2) The Contract Drawings and Specifications
- (3) The General Conditions, the General Requirements and the Special Conditions, if any
- (4) The Contract
- (5) The Information for Bidders; Request for Proposals; Notice of Solicitation and Proposal For Bids; Bid or Proposal, and, if used, the Bid Booklet
- (6) The Budget Director's Certificate; all Addenda issued prior to the receipt of the bids; the Notice of Award; Performance and Payment Bonds, if required; and the Notice to Proceed with the Work.

(B) For particulars as to this procurement, including quantity and quality of the purchase, extent of the work or labor to be performed, delivery and performance schedule, and any other special instructions, prospective bidders are referred to the Invitation For Bids Documents. A copy of such documents can be obtained at the location set forth in Attachment 1.

(C) Deposit for Copy of Invitation For Bids Documents: Prospective bidders may obtain a copy of the Invitation For Bids Documents by complying with the conditions set forth in the Notice of Solicitation. The deposit must be in the form of a check or money order made payable to the City of New York, and drawn upon a state or national bank or trust company, or a check of such bank or trust company signed by a duly authorized officer thereof.

(D) Return of Invitation For Bids Documents: All Invitation For Bids Documents must be returned to the Department upon request. If the bidder elects not to submit a bid thereunder, the

Invitation For Bids Documents shall be returned to the Department, along with a statement that no bid will be submitted.

(E) Return of Deposit: Such deposit will be returned within 30 days after the award of the contract or the rejection of all bids as set forth in the advertisement, provided the Invitation For Bids Documents are returned to the location specified in Attachment 1, in physical condition satisfactory to the Commissioner.

(F) Additional Copies: Additional copies of the Invitation For Bids Documents may be obtained, subject to the conditions set forth in the advertisement for bids.

5. Pre-Bid Conference

A pre-bid conference shall be held as set forth in Attachment 1. Nothing stated at the pre-bid conference shall change the terms or conditions of the Invitation For Bids Documents, unless a change is made by written amendment as provided in Section 9 below. Failure to attend a mandatory pre-bid conference shall constitute grounds for the rejection of the bid.

6. Agency Contact

Any questions or correspondence relating to this bid solicitation shall be addressed to the Agency Contact person specified in Attachment 1.

7. Bidder's Oath

(A) The bid shall be properly signed by an authorized representative of the bidder and the bid shall be verified by the written oath of the authorized representative who signed the bid, that the several matters stated and information furnished therein are in all aspects true.

(B) A materially false statement willfully or fraudulently made in connection with the bid or any of the forms completed and submitted with the bid may result in the termination of any Contract between the City and the Bidder. As a result, the Bidder may be barred from participating in future City contracts as well as be subject to possible criminal prosecution.

8. Examination and Viewing of Site

(A) Pre-Bidding (Investigation) Viewing of Site - Bidders must carefully view and examine the site of the proposed work, as well as its adjacent area, and seek other usual sources of information, for they will be conclusively presumed to have full knowledge of any and all conditions on, about or above the site relating to or affecting in any way the performance of the work to be done under the Contract which were or should have been indicated to a reasonably prudent bidder. To arrange a date for visiting the work site, bidders are to contact the Agency Contact person specified in Attachment 1.

(B) Should the contractor encounter during the progress of the work subsurface conditions at the site materially differing from any shown on the Contract Drawings or indicated in the Specifications or such subsurface conditions as could not reasonably have been anticipated by the contractor and were not anticipated by the City, which conditions will materially affect the cost of the work to be done under the

Contract, the attention of the Commissioner must be called immediately to such conditions before they are disturbed. The Commissioner shall thereupon promptly investigate the conditions. If he finds that they do so materially differ, or that they could not have been reasonably anticipated by the contractor and were not anticipated by the City, the Contract may be modified with his written approval.

9. Examination of Proposed Contract

(A) Request for Interpretation or Correction: Prospective bidders must examine the Contract Documents carefully and before bidding must request the Commissioner in writing for an interpretation or correction of every patent ambiguity, inconsistency or error therein which should have been discovered by a reasonably prudent bidder. Such interpretation or correction, as well as any additional contract provisions the Commissioner may decide to include, will be issued in writing by the Commissioner as an addendum to the Contract, which will be transmitted to each person recorded as having received a copy of the Contract Documents from the Department. Transmission of such addendum will be by mail, e-mail, facsimile or hand delivery. Such addendum will also be posted at the place where the Contract Documents are available for the inspection of prospective bidders. Upon transmission as provided for herein, such addendum shall become a part of the Contract Documents, and binding on all bidders, whether or not actual notice of such addendum is shown.

(B) Only Commissioner's Interpretation or Correction Binding: Only the written interpretation or correction so given by the Commissioner shall be binding, and prospective bidders are warned that no other officer, agent or employee of the City is authorized to give information concerning, or to explain or interpret, the Contract.

(C) Documents given to a subcontractor for the purpose of soliciting the subcontractor's bid shall include either a copy of the bid cover sheet or a separate information sheet setting forth the project name, the Contract number (if available), the contracting agency and the Project's location.

10. Form of Bid

Each bid must be submitted upon the prescribed form and must contain; a) the name, residence and place of business of the person or persons making the same; b) the names of all persons interested therein, and if no other person is so interested, such fact must be distinctly stated; c) a statement to the effect that it is made without any connection with any other person making a bid for the same purpose and that it is in all respects fair and without collusion or fraud; d) a statement that no Council member or other officer or employee or person whose salary is payable in whole or part from the City Treasury is directly or indirectly interested therein or in the supplies, materials or equipment and work or labor to which it relates, or in any portion of the profits thereof; e) a statement that the bidder is not in arrears to the City or to any agency upon a debt or contract or taxes, and is not a defaulter as surety or otherwise upon any obligation to the City to any agency thereof, except as set forth in the bid.

THE BID SHALL BE TYPEWRITTEN OR WRITTEN LEGIBLY IN INK. THE BID SHALL BE SIGNED IN INK. ERASURES OR ALTERATIONS SHALL BE INITIALED BY THE SIGNER IN INK. FAILURE TO CONFORM TO THE REQUIREMENTS OF THIS SECTION 10 SHALL RESULT IN THE REJECTION OF THE BID.

11. Irrevocability of Bid

The prices set forth in the bid cannot be revoked and shall be effective until the award of the Contract, unless the bid is withdrawn as provided for in Sections 15 and 18 below.

12. Acknowledgment of Amendments

The receipt of any amendment to the Contract Documents shall be acknowledged by the bidder in its bid submission.

13. Bid Samples and Descriptive Literature

Bid samples and descriptive literature shall not be submitted by the bidder, unless expressly requested elsewhere in the Contract or Contract Documents. Any unsolicited bid samples or descriptive literature which are submitted shall not be examined or tested and shall not be deemed to vary any of the provisions of this Contract.

14. Proprietary Information/Trade Secrets

(A) The bidder shall identify those portions of the bid which it deems to be confidential, proprietary information or trade secrets, and provide justification why such materials shall not be disclosed by the City. All such materials shall be clearly indicated by stamping the pages on which such information appears, at the top and bottom thereof with the word "Confidential". Such materials stamped "Confidential" must be easily separable from the non-confidential sections of the bid.

(B) All such materials so indicated shall be reviewed by the Agency and any decision not to honor a request for confidentiality shall be communicated in writing to the bidder. For those bids which are unsuccessful, all such confidential materials shall be returned to the bidder. Prices, makes and model or catalog numbers of the items offered, deliveries, and terms of payment shall be publicly available after bid opening, regardless of any designation of confidentiality made by the bidder.

15. Pre-Opening Modification or Withdrawal of Bids

Bids may be modified or withdrawn by written notice received in the office designated in Attachment 1, before the time and date set for the bid opening. If a bid is withdrawn in accordance with this Section, the bid security, if any, shall be returned to the bidder.

16. Bid Evaluation and Award

In accordance with the New York City Charter, the Procurement Policy Board Rules and the terms and conditions of this Invitation For Bids, this Contract shall be awarded, if at all, to the responsible bidder whose bid meets the requirements and evaluation criteria set forth in the Invitation For Bids, and whose bid price is either the most favorable bid price or, if the Invitation For Bids so states, the most favorable evaluated bid price. A bid may not be evaluated for any requirement or criterion that is not disclosed in the Invitation For Bids.

Restriction: No negotiations with any bidder shall be allowed to take place except under the circumstances and in the manner set forth in Section 21. Nothing in this Section shall be deemed to permit a contract award to a bidder submitting a higher quality item than that designated in the Invitation For Bids, if that bid is not also the most favorable bid.

17. Late Bids, Late Withdrawals and Late Modifications

Any bid received at the place designated in the solicitation after the time and date set for receipt of bids is late and shall not be considered. Any request for withdrawal or modification received at the place designated in the solicitation after the time and date set for receipt of bids is late and shall not be considered. The exception to this provision is that a late modification of a successful bid that makes the bid terms more favorable to the City shall be considered at any time it is received.

18. Withdrawal of Bids

Except as provided for in Section 15, above, a bidder may not withdraw its bid before the expiration of forty-five (45) days after the date of the opening of bids; thereafter, a bidder may withdraw its bid only in writing and in advance of an actual award. If within sixty (60) days after the execution of the Contract, the Commissioner fails to fix the date for commencement of work by written notice to the bidder, the bidder, at his option, may ask to be relieved of his obligation to perform the work called for by written notice to the Commissioner. If such notice is given to the Commissioner, and the request to withdraw is granted, the bidder waives all claims in connection with this Contract.

19. Mistake in Bids

(A) Mistake Discovered Before Bid Opening: A bidder may correct mistakes discovered before the time and date set for bid opening by withdrawing or correcting the bid as provided in Section 15 above.

(B) Mistakes Discovered Before Award

(1) In accordance with General Municipal Law (Section 103, subdivision 11), where a unilateral error or mistake is discovered in a bid, such bid may be withdrawn upon written approval of the Agency Chief Contracting Officer if the following conditions are met:

- (a) The mistake is known or made known to the agency prior to the awarding of the Contract or within 3 days after the opening of the bid, whichever period is shorter; and
- (b) The price bid was based upon an error of such magnitude that enforcement would be unconscionable; and
- (c) The bid was submitted in good faith and the bidder submits credible evidence that the mistake was a clerical error as opposed to a judgment error; and
- (d) The error in the bid is actually due to an unintentional and substantial arithmetic error or an unintentional omission of a substantial quantity of work, labor, material or services made directly in the compilation of the bid, which unintentional arithmetic error or unintentional omission can be clearly shown by objective evidence drawn from inspection of the original work paper, documents, or materials used in the preparation of the bid sought to be withdrawn; and
- (e) It is possible to place the agency in the same position as existed prior to the bid.

(2) Unless otherwise required by law, the sole remedy for a bid mistake in accordance with this Article shall be withdrawal of the bid, and the return of the bid bond, or other security, if any, to the bidder. Thereafter, the agency may, in its discretion, award the Contract to the next lowest bidder or rebid the Contract. Any amendment to or reformation of a bid or a Contract to rectify such an error or mistake

therein is strictly prohibited.

(3) If the mistake and the intended correct bid are clearly evident on the face of the bid document, the bid shall be corrected to the intended correct bid and may not be withdrawn. Examples of mistakes that may be corrected are typographical errors, errors in extending unit prices, transposition errors and arithmetical errors.

20. Low Tie Bids

(A) When two or more low responsive bids from responsible bidders are identical in price, meeting all the requirements and criteria set forth in the Invitation For Bids, the Agency Chief Contracting Officer will break the tie in the following manner and order of priority:

- (1) Award to a certified New York City small, minority or woman-owned business entity bidder;
- (2) Award to a New York City bidder;
- (3) Award to a certified New York State small, minority or woman-owned business bidder;
- (4) Award to a New York State bidder.

(B) If two or more bidders still remain equally eligible after application of paragraph (A) above, award shall be made by a drawing by lot limited to those bidders. The bidders involved shall be invited to attend the drawing. A witness shall be present to verify the drawing and shall certify the results on the bid tabulation sheet.

21. Rejection of Bids

(A) Rejection of Individual Bids: The Agency may reject a bid if:

- (1) The bidder fails to furnish any of the information required pursuant to Section 24 or 28 hereof; or if
- (2) The bidder is determined to be not responsible pursuant to the Procurement Policy Board Rules; or if
- (3) The bid is determined to be non-responsive pursuant to the Procurement Policy Board Rules; or if
- (4) The bid, in the opinion of the Agency Chief Contracting Officer, contains unbalanced bid prices and is thus non-responsive, unless the bidder can show that the prices are not unbalanced for the probable required quantity of items, or if the imbalance is corrected pursuant to Section 15.

(B) Rejection of All Bids: The Agency, upon written approval by the Agency Chief Contracting Officer, may reject all bids and may elect to resolicit bids if in its sole opinion it shall deem it in the best interest of the City so to do.

(C) Rejection of All Bids and Negotiation With All Responsible Bidders: The Agency Head may determine that it is appropriate to cancel the Invitation For Bids after bid opening and before award and to complete the acquisition by negotiation. This determination shall be based on one of the following reasons:

- (1) All otherwise acceptable bids received are at unreasonable prices, or only one bid is received and the Agency Chief Contracting Officer cannot determine the reasonableness of the bid price, or no responsive bid has been received from a responsible bidder; or
- (2) In the judgment of the Agency Chief Contracting Officer, the bids were not independently arrived at in open competition, were collusive, or were submitted in bad faith.

(D) When the Agency has determined that the Invitation for Bids is to be canceled and that use of negotiation is appropriate to complete the acquisition, the contracting officer may negotiate and award the Contract without issuing a new solicitation, subject to the following conditions:

- (1) prior notice of the intention to negotiate and a reasonable opportunity to negotiate have been given by the contracting officer to each responsible bidder that submitted a bid in response to the Invitation for Bids;
- (2) the negotiated price is the lowest negotiated price offered by a responsible bidder; and
- (3) the negotiated price is lower than the lowest rejected bid price of a responsible bidder that submitted a bid in response to the Invitation for Bids.

22. Right to Appeal Determinations of Non-Responsiveness or Non-Responsibility and Right to Protest Solicitations and Award

The bidder has the right to appeal a determination of non-responsiveness or non-responsibility and has the right to protest a solicitation and award. For further information concerning these rights, the bidder is directed to the Procurement Policy Board Rules.

23. Affirmative Action and Equal Employment Opportunity

This Invitation For Bids is subject to applicable provisions of Federal, State and Local Laws and executive orders requiring affirmative action and equal employment opportunity.

24. VENDEX Questionnaires

(A) Requirement: Pursuant to Administrative Code Section 6-116.2 and the PPB Rules, bidders may be obligated to complete and submit VENDEX Questionnaires. Generally, if this bid is \$100,000 or more, or if this bid when added to the sum total of all contracts, concessions and franchises the bidder has received from the City and any subcontracts received from City contractors over the past twelve months, equals or exceeds \$100,000, Vendex Questionnaires must be completed. If required, Vendex Questionnaires must be completed and submitted before any award of contract may be made or before approval is given for a proposed subcontractor. Non-compliance with these submission requirements may result in the disqualification of the bid, disapproval of a subcontractor, subsequent withdrawal of approval for the use of an approved subcontractor, or the cancellation of the contract after its award.

(B) Submission: Vendex Questionnaires must be submitted directly to the Mayor's Office of Contract Services, ATTN: Vendex, 253 Broadway, 9th Floor, New York, New York 10007. In addition, the bidder must submit a Confirmation of Vendex Compliance to the agency. A form for this confirmation is set forth in the Bid Booklet.

(C) Obtaining Forms: Vendex Questionnaires, as well as detailed instructions, may be obtained at www.nyc.gov/vendex. The bidder may also obtain Vendex forms and instructions by contacting the

Agency Chief Contracting Office or the contract person for this contract.

25. Complaints About the Bid Process

The New York City Comptroller is charged with the audit of contracts in New York City. Any vendor who believes that there has been unfairness, favoritism or impropriety in the bid process should inform the Comptroller, Office of Contract Administration, One Centre Street, Room 835, New York, New York; telephone number (212)669-2797.

26. Bid, Performance and Payment Security

(A) Bid Security: Each bid must be accompanied by bid security in an amount and type specified in Attachment 1 (page A-1 of the Bid Booklet). The bid security shall assure the City of New York of the adherence of the bidder to its proposal, the execution of the Contract, and the furnishing of Performance and Payment Bonds by the bidder, if required in Attachment 1. Bid security shall be returned to the bidder as follows:

- (1) Within ten (10) days after the bid opening, the Comptroller will be notified to return the deposits of all but the three (3) lowest bidders. Within five (5) days after the award, the Comptroller will be notified to return the deposits of the remaining two unsuccessful bidders.
- (2) Within five (5) days after the execution of the Contract and acceptance of the Contractor's bonds, the Comptroller will be notified to return the bid security of the successful bidder or, if performance and payment bonds are not required, only after the sum retained under Article 21 of the Contract equals the amount of the bid security.
- (3) Where all bids are rejected, the Comptroller will be notified to return the deposit of the three (3) lowest bidders at the time of rejection.

(B) Performance and Payment Security: Performance and Payment Security must be provided in an amount and type specified in Attachment 1 (page A-1 of the Bid Booklet). The performance and payment security shall be delivered by the contractor prior to or at the time of execution of the Contract. If a contractor fails to deliver the required performance and payment security, its bid security shall be enforced, and an award of Contract may be made to the next lowest responsible and responsive bidder, or the contract may be rebid.

(C) Acceptable Types of Security: Acceptable types of security for bids, performance, and payment shall be limited to the following:

- (1) a one-time bond in a form satisfactory to the City;
- (2) a bank certified check or money order;
- (3) obligations of the City of New York; or
- (4) other financial instruments as determined by the Office of Construction in consultation with the Comptroller.

Whenever the successful bidder deposits obligations of the City of New York as performance and payment security, the Comptroller may sell and use the proceeds thereof for any purpose for which the principal or surety on such bond would be liable under the terms of the Contract. If the money is deposited with the Comptroller, the successful bidder shall not be entitled to receive interest on such money from the City.

(D) Form of Bonds: Security provided in the form of bonds must be prepared on the form of bonds authorized by the City of New York. Forms for bid, performance, and payment bonds are included in the Invitation for Bids Documents. Such bonds must have as surety thereunder such surety company or companies as are: (1) approved by the City of New York; (2) authorized to do business in the State of New York, and (3) approved by the Department of the Treasury of the United States. Premiums for any required bonds must be included in the base bid.

The bidder is advised that submission of a bid bond where the surety on such bond fails to meet the criteria set forth herein, shall result in the rejection of the bid as non-responsive.

The Department of the Treasury of the United States advises that information concerning approved surety companies may be obtained as follows: (1) from the Government Printing Office at 202-512-1800; (2) through the Internet at <http://www.fms.treas.gov/c570/index.html>, and (3) through a computerized public bulletin board, which can be accessed by using your computer modem and dialing 202-874-6887.

(E) Power of Attorney: Attorneys in fact who sign bid, performance, or payment bonds must file with each bond a certified copy of their power of attorney to sign said bonds.

27. Failure to Execute Contract

In the event of failure of the successful bidder to execute the Contract and furnish the required security within ten (10) days after notice of the award of the Contract, the deposit of the successful bidder or so much thereof as shall be applicable to the amount of the award made shall be retained by the City, and the successful bidder shall be liable for and hereby agrees to pay on demand the difference between the price bid and the price for which such Contract shall be subsequently awarded, including the cost of any required reletting and less the amount of such deposit. No plea of mistake in such accepted bid shall be available to the bidder for the recovery of the deposit or as a defense to any action based upon such accepted bid. Further, should the bidder's failure to comply with this Section cause any funding agency, body or group (Federal, State, City, Public, Private, etc.) to terminate, cancel or reduce the funding on this project, the bidder in such event shall be liable also to the City for the amount of actual funding withdrawn by such agency on this project, less the amount of the forfeited deposit.

28. Bidder Responsibilities and Qualifications

(A) Bidders must include with their bids all information necessary for a determination of bidder responsibility, as set forth in the Specifications.

(B) The Agency may require any bidder or prospective bidder to furnish all books of account, records, vouchers, statements or other information concerning the bidder's financial status for examination as may be required by the Agency to ascertain the bidder's responsibility and capability to perform the Contract. If required, a bidder must also submit a sworn statement setting forth such information as the Agency may require concerning present and proposed plant and equipment, the personnel and qualifications of his working organizations, prior experience and performance record.

(C) Oral Examination on Qualifications: In addition thereto, and when directed by the Agency, the bidder, or a responsible officer, agent or employee of the bidder, must submit to an oral examination to be conducted by the Agency in relation to his proposed tentative plan and schedule of

operations, and such other matters as the Agency may deem necessary in order to determine the bidder's ability and responsibility to perform the work in accordance with the Contract. Each person so examined must sign and verify a stenographic transcript of such examination noting thereon such corrections as such person may desire to make.

(D) If the bidder fails or refuses to supply any of the documents or information set forth in paragraph (B) hereof or fails to comply with any of the requirements thereof, the Agency may reject the bid.

29. Employment Report

In accordance with Executive Order No. 50 (1980) as modified by Executive Order 108 (1986), the filing of a completed Employment Report (ER) is a requirement of doing business with the City of New York for construction contractors with contracts of \$1,000,000 or more and subcontractors with construction subcontracts of \$750,000 or more. The required forms and information are included in the Bid Booklet.

30. Labor Law Requirements

(A) General: The successful bidder will be required to comply strictly with all Federal, State and local labor laws and regulations.

(B) New York State Labor Law: This Contract is subject to New York State Labor Law Section 220, which requires that construction workers on the site be paid prevailing wages and supplements. The Contractor is reminded that all wage provisions of this Contract will be enforced strictly and failure to comply will be considered when evaluating performance. Noncompliance may result in the contractor being debarred by the City from future contracts. Complaints filed with the Comptroller may result in decisions which may debar a contractor from bidding contracts with any state governmental entity and other political subdivisions.

(C) Records: The Contractor is expected to submit accurate payroll reports and other required documents and verify attendance and job classifications being utilized in compliance with the law, Contract provisions and agency procedures.

31. Insurance

(A) Bidders are advised that the insurance requirements contained herein are regarded as material terms of the Contract. As required by Article 22 of the Contract, the contractor must effect and maintain with companies licensed and authorized to do business in the State of New York, the types of insurance set forth therein, when required by and in the amounts set forth in Schedule A of the General Conditions. Such required insurance must be provided from the date the contractor is ordered to commence work and up to the date of final acceptance of all required work.

(B) The contractor must, within ten days of receipt of the notice of award, submit the following insurance documentation: (a) original certificate of insurance for general liability in the amount required by Schedule A of the General Conditions, and (b) original certificates of insurance or other proof of coverage for workers' compensation and disability benefits, as required by Section 57 of the New York State Workers' Compensation Law and Section 220 of the Disability Benefits Law.

32. Lump Sum Contracts

(A) Comparison of Bids: Bids on Lump Sum Contracts will be compared on the basis of the lump sum price bid, adjusted for alternate prices bid, if any.

(B) Lump Sum Bids for "General Construction Work" which include excavation shall include all necessary excavation work defined in the Specifications as being included in the lump sum bid. The bidder shall also bid a unit price for the additional cost of excavating material which is defined in the Specifications as excavation for which additional payment will be made. The total estimated additional cost of removing such material will be taken as the quantity set forth in the Engineer's Estimate multiplied by the unit price bid. This total estimated cost of additional excavation shall be added to the lump sum bid for the General Construction Work for the purpose of comparing bids to determine the low bidder.

(C) Variations from Engineer's Estimate: The Engineer's Estimate of the quantity of excavation for which additional payment will be made is approximate only and is given solely to be used as a uniform basis for the comparison of bids and such estimate is not to be considered as part of this contract. The quantities actually required to complete the contract work may be more or less than the quantities in the Engineer's Estimate and, if so, no action for damages or for loss of profits shall accrue to the contractor by reason thereof.

33. Unit Price Contracts

(A) Comparison of Bids: Bids on Unit Price Contracts will be compared on the basis of a total estimated price, arrived at by taking the sum of the estimated quantities of such items, in accordance with the Engineer's Estimate of Quantities set forth in the Bid Schedule, multiplied by the corresponding unit prices, and including any lump sum bids on individual items.

(B) Variations from Engineer's Estimate: Bidders are warned that the Engineer's Estimate of Quantities on the various items of work and materials is approximate only, given solely to be used as a uniform basis for the comparison of bids, and is not to be considered part of this contract. The quantities actually required to complete the contract work may be less or more than so estimated, and if so, no action for damages or for loss of profits shall accrue to the contractor by reason thereof.

(C) Overruns: The terms and conditions applicable to overruns of unit price items are set forth in Article 26 of the Contract.

34. Excise Tax

Bidders are referred to the Specifications for information on Federal Excise Tax exemptions.

35. Licenses and Permits

The successful bidder will be required to obtain all necessary licenses and permits necessary to perform the work.

36. Multiple Prime Contractors

If more than one prime contractor will be involved on this project, all contractors are required to examine the Invitation for Bid packages for all other parts of the project.

37. Locally Based Enterprise Requirements (LBE)

This Contract is subject to the requirements of Administrative Code, Section 6-108.1, and the regulations promulgated thereunder. No construction contract will be awarded unless and until these requirements have been complied with in their entirety. The bidder is advised of the provisions set forth below, as well as the provisions with respect to the Locally Based Enterprise Program contained in Article 67 of the Contract. The contractor is advised that:

(A) If any portion of the Contract is subcontracted, not less than ten percent of the total dollar amount of the contract shall be awarded to locally based enterprises ("LBEs"); except, where less than ten percent of the total dollar amount of the Contract is subcontracted, such lesser percentage shall be so awarded.

(B) No contractor shall require performance and payment bonds from LBE subcontractors.

(C) No Contract shall be awarded unless the contractor first identifies in its bid:

- (1) the percentage, dollar amount and type of work to be subcontracted; and
- (2) the percentage, dollar amount and type of work to be subcontracted to LBEs.

(D) Within ten calendar days after notification of low bid, the apparent low bidder shall submit an "LBE Participation Schedule" to the contracting agency. If such schedule does not identify sufficient LBE subcontractors to meet the requirements of Administrative Code Section 6-108.1, the apparent low bidder shall submit documentation of its good faith efforts to meet such requirements.

(1) The "LBE Participation Schedule" shall include:

- (a) the name and address of each LBE that will be given a subcontract,
- (b) the percentage, dollar amount and type of work to be subcontracted to the LBE, and
- (c) the dates when the LBE subcontract work will commence and end.

(2) The following documents shall be attached to the "LBE Participation Schedule":

- (a) verification letters from each subcontractor listed in the "LBE Participation Schedule" stating that the LBE will enter into a formal agreement for work,
- (b) certification documents of any proposed LBE subcontractor which is not on the LBE certified list, and
- (c) copies of the certification letter of any proposed subcontractor which is an LBE.

(3) Documentation of good faith efforts to achieve the required LBE percentage shall include as appropriate but not limited to the following:

- (a) attendance at prebid meetings, when scheduled by the agency, to advise bidders of contract requirements;

- (b) advertisement where appropriate in general circulation media, trade association publications and small business media of the specific subcontracts that would be at least equal to the percentage goal for LBE utilization specified by the contractor;
- (c) written notification to association of small, minority and women contractors soliciting specific subcontractors;
- (d) written notification by certified mail to LBE firms that their interest in the contract is solicited for specific work items and their estimated values;
- (e) demonstration of efforts made to select portions of the work for performance by LBE firms in order to increase the likelihood of achieving the stated goal;
- (f) documented efforts to negotiate with LBE firms for specific subcontracts, including at a minimum:
 - (i) The names, address and telephone numbers of LBE firms that are contacted;
 - (ii) A description of the information provided to LBE firms regarding the plans and specifications for portions of the work to be performed;
 - (iii) Documentation showing that no reasonable price can be obtained from LBE firms;
 - (iv) A statement of why agreements with LBE firms were not reached;
- (g) a statement of the reason for rejecting any LBE firm which the contractor deemed to be unqualified; and
- (h) documentation of efforts made to assist the LBE firms contacted that needed assistance in obtaining required insurance.

(E) Unless otherwise waived by the Commissioner with the approval of the Office of Economic and Financial Opportunity, failure of a proposed contractor to provide the information required by paragraphs (C) and (D) above may render the bid non-responsive and the Contract may not be awarded to the bidder. If the contractor states that it will subcontract a specific portion of the work, but can demonstrate despite good faith efforts it cannot achieve its required LBE percentage for subcontracted work until after award of Contract, the Contract may be awarded, subject to a letter of compliance from the contractor stating that it will comply with Administrative Code Section 6-108.1 and subject to approval by the Commissioner. If the contractor has not met its required LBE percentage prior to award, the contractor shall demonstrate that a good faith effort has been made subsequent to award to obtain LBEs on each subcontract until it meets the required percentage.

(F) When a bidder indicates prior to award that no work will be subcontracted, no work may be subcontracted without the prior written approval of the Commissioner, which shall be granted only if the contractor in good faith seeks LBE subcontractors at least six weeks prior to the start of work.

(G) The contractor may not substitute or change any LBE which was identified prior to award of the contract without the written permission of the Commissioner. The contractor shall make a written application to the Commissioner for permission to make such substitution or change, explaining why the contractor needs to change its LBE subcontractor and how the contractor will meet its LBE subcontracting requirement. Copies of such application must be served on the originally identified LBE by certified mail return receipt requested, as well as the proposed substitute LBE. The Commissioner shall determine whether or not to grant the contractor's request for substitution.

38. Bid Submission Requirements

The following forms, all of which are contained in the Bid Booklet, are to be completed and submitted with the bid:

- (1) Bid Schedule and Bid Form, including Affirmation
- (2) Bid Security (if required; see Attachment 1 on Page A-1)
- (3) M/WBE Subcontractor Utilization Plan (if participation goals have been established)

**FAILURE TO SUBMIT ITEMS (1), (2) AND (3)
WILL RESULT IN THE DISQUALIFICATION OF THE BID.**

- (4) Safety Questionnaire
- (5) Construction Employment Report (if bid is \$1,000,000 or more)
- (6) Contract Certificate (if bid is less than \$1,000,000)
- (7) Confirmation of Vendex Compliance
- (8) Special Experience Requirements (if applicable to this contract)
- (9) Apprenticeship Program Questionnaire (if applicable)

**FAILURE TO SUBMIT ITEMS (4) THROUGH (9)
MAY RESULT IN THE DISQUALIFICATION OF THE BID.**

39. Comptroller's Certificate

This Contract shall not be binding or of any force unless it is registered by the Comptroller in accordance with Section 328 of the City Charter and the Procurement Policy Board Rules. This Contract shall continue in force only after annual appropriation of funds by the City of New York and certification as hereinabove set forth.

40. Procurement Policy Board Rules

This Invitation For Bids is subject to the Rules of the Procurement Policy Board of the City of New York. In the event of a conflict between said Rules and a provision of this Invitation For Bids, the Rules shall take precedence.

41. DDC Safety Requirements

The DDC Safety Requirements apply to the work to be performed pursuant to the Contract. The DDC Safety Requirements are set forth on the following pages.

CITY OF NEW YORK
DEPARTMENT OF DESIGN AND CONSTRUCTION
SAFETY REQUIREMENTS

June 2015

THE DDC SAFETY REQUIREMENTS INCLUDE THE FOLLOWING SECTIONS:

- I. POLICY ON SITE SAFETY
- II. PURPOSE
- III. DEFINITIONS
- IV. RESPONSIBILITIES
- V. SAFETY QUESTIONNAIRE
- VI. SAFETY PROGRAM AND SITE SAFETY PLAN
- VII. KICK-OFF/PRE-CONSTRUCTION MEETINGS AND SAFETY REVIEW
- VIII. EVALUATION DURING WORK IN PROGRESS
- IX. SAFETY PERFORMANCE EVALUATION

City of New York Department of Design and Construction: Safety Requirements
Safety and Site Support- Quality Assurance and Construction Safety

I. POLICY ON SITE SAFETY

The City of New York Department of Design and Construction (DDC) is committed to a policy of injury and illness prevention and risk management for construction work that will ensure the safety and health of the workers engaged in the projects and the protection of the general public. Therefore, it is DDC's policy that work carried out by Contractors on DDC jobsites must, at a minimum, comply with applicable federal, state and city laws, rules and regulations, including without limitation:

- U. S. Department of Labor 29 Code of Federal Regulations (CFR) Part 1926 and applicable Sub-parts of Part 1910 – U.S. Occupational Safety and Health Administration (OSHA); New York State Department of Labor Industrial Code Rule 23 – Protection in Construction, Demolition and Excavation;
- New York City Construction Codes, Title 28
- NYC Department of Transportation Title 34 Chapter 2 – Highway Rules
- New York State Department of Labor Industrial Code Rule 16 NYCRR Part 753
- Title 15 of the Rules of the City of New York, Chapter 13 Citywide Construction Dust Mitigation
- Manual on Uniform Traffic Control Devices (MUTCD)
- Title 15 of the Rules of the City of New York, Chapter 28 Citywide Construction Noise Mitigation

II. PURPOSE

The purpose of this policy is to ensure that Contractors perform their work and supervise their employees in accordance with all applicable federal, state and city rules and regulations. Further, Contractors will be expected to minimize or eliminate jobsite and public hazards, through a planning, inspection, auditing and corrective action process. The goal is to control risks so that injuries, illnesses and accidents to contractors' employees, DDC employees and the general public, as well as damage to city-owned and private property, are reduced to the lowest level feasible.

III. DEFINITIONS

Agency Chief Contracting Officer (ACCO): The ACCO shall mean the person delegated authority by the Commissioner to organize and supervise the procurement activity of subordinate Agency staff in conjunction with the CCPO.

Competent Person: As defined by OSHA, an individual who is capable of identifying existing and predictable hazards in the surroundings or working conditions that are unsanitary, hazardous, or dangerous to employees or the general public, and who has authorization to take prompt corrective measures to eliminate them.

Construction Safety Auditor: A representative of the QA&CS Construction Safety Unit who provides inspection and assessment services to enhance health and safety on all DDC construction projects. The activities of the Construction Safety Auditor include performing site surveys, reviewing health and safety plans, reviewing construction permits, and rendering technical advice and assistance to DDC Resident Engineers and Project Managers.

Construction Safety Unit: A part of QA&CS within the Division of Program Management/ Safety & Site Support that assesses contractor safety on DDC jobsites and advises responsible parties of needed corrective actions.

City of New York Department of Design and Construction: Safety Requirements
Safety and Site Support- Quality Assurance and Construction Safety

Construction Superintendent: A representative of the contractor responsible for overseeing performance of the required construction work. This individual must engage in sound construction practices, and is responsible to maintain a safe work site. In the case of a project involving the demolition, alteration or new construction of buildings, the Construction Superintendent must be licensed by the NYC Department of Buildings.

Contractor: For purposes of these Safety Requirements, the term "Contractor" shall mean any person or entity that enters into a contract for the performance of construction work on a DDC project. The term "Contractor" shall include any person or entity which enters into any of the following types of contracts: (1) a prime construction contract for a specific project, (2) a prime construction contract using the Job Order Contracting System ("JOCS Contract"), and (3) a subcontract with a CM/Builder ("First Tier Subcontract").

Daily Safety Job Briefing: Daily jobsite safety meetings, giving to all jobsite personnel by contractor, with the purpose of discussing project specific safety procedures for the scheduled construction work.

Director - Quality Assurance and Construction Safety (QA&CS): Responsible for the operations of the QA&CS Construction Safety Unit and the DDC Site Safety management programs.

Job Hazard Analysis (JHA): A process of identifying the major job steps and any potential site-specific hazards that may be present during construction and establishing the means and methods to eliminate or control those hazards.

Qualified Person: As defined by OSHA, an individual who, by possession of a recognized degree, certificate, license or professional standing, or who by extensive knowledge, training, and experience, has successfully demonstrated his or her ability to solve problems relating to the subject matter, the work, or the project. Qualified Persons are required under regulation to address issues pertaining, but without limit, to fall protection, scaffold design and trenching and shoring, among others.

Project Site: Those areas indicated in the Contract Documents where the Work is to be performed.

Project Safety Representative: The designated project safety representative shall have completed an authorized 30 hour OSHA Construction Safety Course and other safety training applicable to Contractor's/subcontractor's project work. Except in instances where a dedicated Project Safety Manager is required, a Project Safety Representative may also function as a superintendent, foreman or crew leader on the Project, but must have sufficient experience and authority to undertake corrective actions and must qualify to be a competent person. No work is to be performed on site when a Project Safety Representative is not present.

Project Safety Manager: A dedicated, full-time project safety manager may be a contractual requirement on large projects or projects deemed by DDC to be particularly high risk. This would be in addition or in lieu of a Contractor's Project Safety Representative. This individual shall not have any other assigned duties. This individual shall have received, at a minimum an authorized 30 hour OSHA Construction Safety Course. Other examples of acceptable training are OSHA Safety and Health Standards for the Construction Industry training program (OSHA 510), Certified Safety Professional (CSP), Certified Industrial Hygienist (CIH) or a degree/certificate in a safety and health from a college-level curriculum. A Project Safety Manager shall possess the additional training, years of experience, and skills necessary to thoroughly understand the health and safety hazards and controls for large construction projects, including the full scope of the specific Work.

QA&CS - Quality Assurance and Construction Safety of the New York City Department of Design and Construction.

City of New York Department of Design and Construction: Safety Requirements
Safety and Site Support– Quality Assurance and Construction Safety

Resident Engineer (RE) / Construction Project Manager (CPM): Representative of the Commissioner duly designated by the Commissioner to be his/her representative at the site of the work. (The RE/CPM may be a third-party consultant, including a Construction Management firm, retained by DDC)

Safety Program: Established by the Contractor that covers all operations of that Contractor and establishes the Contractor's overall safety policy, regulatory compliance plan and minimum safety standards. The Safety Program must be submitted prior to the commencement of work at the site and is subject to review and acceptance by the Construction Safety Unit.

Safety Questionnaire: Used by DDC to evaluate Contractor's current and past safety performance. It is required to be completed by all Contractors initially when submitting bids for Construction work, or when being pre-qualified and updated annually or as requested by the DDC.

Site Safety Manager: For certain projects, as defined in NYC Construction Codes – Title 28, the Contractor shall provide a Site Safety Manager with a Site Safety Manager License issued by the NYC Department of Building.

Site Safety Plan: A site-specific safety plan developed by the Contractor for a specific project. The Site Safety Plan must identify hazards associated with the project, and include specific safety procedures and training appropriate and necessary to complete the work. The Site Safety Plan must be submitted prior to the commencement of work at the site and is subject to review and acceptance by the Construction Safety Unit.

Unsafe or Unhealthy Condition: A condition that could be potentially hazardous to the health and safety of personnel or the public, and/or damaging to equipment, machinery, property or the environment.

Weekly Safety Meetings: Weekly documented jobsite safety meetings, given to all jobsite personnel by contractor, with the purpose of discussing general safety topics and job specific requirements encountered at the DDC work site.

Work: The construction required by the Contract Documents whether completed or partially completed, performed by the Contractor/ subcontractors. Work refers to the furnishing of labor, furnishing and incorporating materials and equipment into the construction and providing any service required by the Contract Documents to fulfill the Contractor's obligation to complete the Project.

IV. RESPONSIBILITIES

All persons who manage, perform, and provide support for construction projects shall conduct operations in compliance with the requirements identified in this Policy and all applicable governing regulatory agency requirements and guidelines pertaining to safety in construction.

A. DDC or CM Resident Engineer / Construction Project Manager

- Monitors the issuance of safety- related permits, approvals and drawings and maintains copies on site.
- Monitors construction-related work activities to confirm that they are conducted in accordance with DDC policies and all applicable regulations that pertain to construction safety.
- Maintains documentation and periodically attends weekly safety meetings and daily safety job briefings.
- Notifies the Construction Safety Unit and the ACCO's Insurance and Risk Management Unit of project- related accidents and emergencies, as per DDC's Construction Safety Emergency and Accident Notification and Response Protocol.
- Gathers facts related to all accidents and prepares DDC Construction Accident Report.

City of New York Department of Design and Construction: Safety Requirements
Safety and Site Support- Quality Assurance and Construction Safety

- Notifies the Construction Safety Unit within two (2) hours of the start of an inspection by any outside regulatory agency personnel, including OSHA, NYC DOB or others and forwards a copy of the inspection report within three days of its receipt.
- Monitors the conditions at the site for conformance with the contractor's Site Safety Plan and DDC construction documents.
- Notifies the contractor and DDC in the event that any condition or activity exists that is not in compliance with the contractor's Site Safety Plan, applicable federal, state or local codes or any condition that presents a potential risk of injury to the public or workers or possible damage to property.
- Notifies DDC of any unsafe or unhealthy condition and directs the contractor to provide such labor, materials, equipment and supervision to abate such conditions.
- Escort and assist QA&CS Construction Safety Auditors during the field and record inspections.
- Reports emergency conditions to the Construction Safety Unit immediately.

B. Contractors

- Submit a completed Safety Questionnaire and other safety performance related documentation with its bid or as part of a pre-qualification package.
- Complete a written Job Hazard Analysis (JHA) that identifies safety hazards for project specific work tasks and hazard control methods. A written JHA shall be available at the site for reference and included in the Site Safety Plan submitted by the contractor.
- Submit a Site Safety Plan and Safety Program within 30 days from the Award Date or as otherwise directed. The Site Safety Plan and Safety Program are subject to review and acceptance by the Construction Safety Unit prior to the commencement of work at the site. The Site Safety Plan shall be revised and updated as necessary.
- Develop project specific safety procedures to protect general public during all construction activities for the duration of the project.
- Ensure that all employees are aware of the hazards associated with the project through documented formal and informal training and/or other communications. Conduct and document weekly safety meetings and daily job briefing sessions for the duration of the project. Documentation to be provided to the RE/CPM on a monthly basis.
- Name the Project Safety Representative and Project Safety Manager, if required. The Contractor will be required to identify the Project Safety Representative and Project Safety Manager in the Site Safety Plan. Resumes, outlining the qualification and experience for the Project Safety Representative and Project Safety Manager, shall be available upon request. DDC reserves the right to request that the Contractor replace any Project Safety Representative or Project Safety Manager for any reason at any time during the project.
- Name a Competent Person(s), The Contractor will be required to identify a Competent Person(s) in the Site Safety Plan.
- Comply with all mandated federal, state and local safety and health rules and regulations.
- Comply with all provisions of the Site Safety Plan.
- Conduct applicable safety training prior to the commencement of work at the site. All training records (OSHA 10-hour, flagger, scaffold, fall protection, confined space entry, etc.) shall be provided to the RE/CPM prior to mobilization, included in the Site Safety Plan, kept current during the course of the project, and available for review. Prior to performing any work on DDC project all employees shall have successfully completed, within the previous five calendar years, a 10 Hour OSHA construction safety course.
- As part of the Site Safety Plan, prepare a site specific programs and plans, such as MPT plan, steel erection plan, confined space program, fall protection plan, demolition plan, etc. (if not otherwise provided in the contract documents) and comply with all of its provisions.
- Conduct and document site-specific safety orientation for Contractor personnel to review the hazards associated with the project as identified in the Site Safety Plan and the specific safety procedures and

City of New York Department of Design and Construction: Safety Requirements
Safety and Site Support– Quality Assurance and Construction Safety

controls that will be used to protect workers, the general public and property. The Project Safety Representative and/or Project Safety Manager will conduct this training prior to mobilization and provide documentation to the RE/CPM.

- Provide, replace and adequately maintain at or around the project site, suitable and sufficient signage, lights, barricades and enclosures (fences, sidewalk sheds, netting, bracing, etc.).
- Report unsafe or unhealthy conditions to the RE/CPM as soon as practical, but no more than 24 hours after discovery, and take prompt actions to remove or abate such conditions.
- Report any accidents involving injuries to workers or the general public, as well as property damage, to the RE/CPM within one (1) hour.
- Following an accident, the Contractor shall not remove or alter any equipment, structure, material, or evidence related to the accident. Exception: Immediate emergency procedures taken to secure structures, temporary construction, operations, or equipment that pose a continued imminent danger or facilitate assistance for persons who are trapped or who have sustained bodily injury.
- Notify the RE/CPM within one (1) hour of the start of an inspection by any outside regulatory agency personnel, including OSHA, NYC DOB or others.
- Maintain all records pertaining to all required compliance documents and accident and injury reports.
- Address DDC recommendations on safety, which shall in no way relieve the Contractor of its responsibilities for safety on the project. The Contractor has sole responsibility for safety.

V. SAFETY QUESTIONNAIRE

DDC requires that all Contractors provide information regarding their current and past safety performance and programs. This will be accomplished by the use of the DDC Safety Questionnaire. As a part of the bid submittal package, the contractor must submit a completed DDC Safety Questionnaire listing company workers' compensation experience modification rating and OSHA Incident Rates for the three (3) years prior to the date of the bid opening. DDC may request a Contractor to update its Questionnaire at any time or to provide more detailed information. The Contractor must provide the requested information within 15 days.

The following criteria will be used by DDC in reviewing the Contractor's responsibility, which will be based on the information provided on the questionnaire:

- Criteria 1: OSHA Injury and Illness Rates (I&IR) are no greater than the average for the industry (based on the most current Bureau of Labor Statistics data for the Contractors SIC code); and
- Criteria 2: Insurance workers compensation Experience Modification Rate (EMR) equal to or less than 1.0; and
- Criteria 3: Any willful violations issued by OSHA or NYC DOB within the last three (3) years; and
- Criteria 4: A fatality (worker or member of public) and injuries, requiring OSHA notification, experienced on or near Contractor's worksite within the last three (3) years; and
- Criteria 5: Past safety performance on DDC projects (accidents; status of safety program and site safety plan submittals; etc.)
- Criteria 6: OSHA violation history for the last three (3) years;
- Criteria 7: Contractor shall provide OSHA Injury and Illness Records (currently OSHA 300 and 300A Logs) for the last three (3) years.

If the Contractor fails to meet the basic criteria listed above, the Construction Safety Unit may request, through the ACCO, more details concerning the Contractor's safety experience. DDC may request the Contractor to provide copies of, among other things, accident investigation reports, OSHA records, OSHA and NYC DOB citations, EPA citations and written corrective action plan.

City of New York Department of Design and Construction: Safety Requirements
Safety and Site Support- Quality Assurance and Construction Safety

VI. SAFETY PROGRAM AND SITE SAFETY PLAN

Within thirty (30) days from the Award Date, or as otherwise directed, the Contractor shall submit the following: (1) Safety Program, and (2) Site Safety Plan. The Safety Program shall set forth the Contractor's overall safety policy, regulatory compliance plan and minimum safety standards. The Site Safety Plan shall identify project work scope, safety hazards associated with the project tasks, and include specific safety procedures and training appropriate and necessary to complete the work. The Safety Program and the Site Safety Plan are subject to review and acceptance by the Construction Safety Unit prior to the commencement of work at the site. Failure by the Contractor to submit an acceptable Site Safety Plan and Safety Program shall be grounds for default.

Safety Program: Corporate Safety Program established by the Contractor that includes the Contractor's overall safety policy, regulatory compliance plan and basic safety procedures covering all aspects of construction operations, performed by the Contractor. The Safety Program shall be a written document with a separate section describing each element of the Safety Program. The Safety Program shall have at minimum the following elements applicable to the Contractor's operations:

- Responsibility and Organization – Contractor's company organization chart, including titles, names, contact information, roles and responsibilities for key personnel, etc.
- Safety Training Program – Contractor's corporate training program.
- Hazard Corrective Actions – Criteria for safety inspections, identification of safety non-compliances, implementation and verification of corrective actions, forms to document safety inspections results, etc.
- Accident/Exposure Investigation
- Recordkeeping and Reporting Injuries – Responsible staff; reporting and recording criteria; OSHA 300 and 300A form completion, etc.
- Fire Protection and Prevention Program
- Housekeeping
- Illumination
- Sanitation
- Personal Protective Equipment (PPE) – Company policy for the use of head protection, foot protection, hearing protection, eye and face protection, protective clothing, and any additional protective equipment based on work tasks; PPE inspection and replacement policy.
- Hazard Communication Program
- Employee Emergency Action Plan
- Protection of Underground Facilities and Utilities
- Ionizing/Nonionizing Radiation
- Material Handling, Storage, Use and Disposal
- Tools – Hand and Power
- Signs, Signals, and Barricades
- Scaffold – Local Law 52 requirements, installation, use, inspection, dismantling, training and general safety requirements.
- Welding and Cutting
- Electrical Safety
- Fall Protection
- Cranes, Derrick, Hoists, Elevators, Conveyors
- Excavation Safety
- Concrete and Masonry Construction
- Maintenance and Protection of Traffic
- Steel Erection
- Demolition
- Blasting and the Use of Explosives
- Stairways and Ladders

City of New York Department of Design and Construction: Safety Requirements
Safety and Site Support– Quality Assurance and Construction Safety

- Toxic and Hazardous Substances
- Alcohol and Drug Abuse Policy
- Rodents and Vermin
- Occupational Noise Exposure
- Confined Space Program – General confined Space Program: training requirements, confined space hazard evaluation procedure, atmospheric testing procedure, confined space classification, permit-required procedure, communication procedure, rescue procedure, forms, etc.
- Construction Vehicles/Heavy Equipment
- Dust Control Procedures

Site Safety Plan: The Site Safety Plan shall be a written document and shall apply to all project specific Contractor and subcontractor operations, and shall have at a minimum, the following elements with each element described in a separate section (It may be necessary to modify the basic format for certain unique or high-risk projects, such as tunnels or high-rise construction):

- Project Work Scope – Detailed information regarding work tasks that will be performed by contractor and subcontractors under the project.
- Responsibility and Organization – Contractor’s organization chart with responsible staff for the project, including titles, names, contact information, roles and responsibilities.
- Safety Training and Education – OSHA 10 Hours training, requirements for daily safety briefings and weekly safety meetings, any work task specific training, responsible staff for implementation of training program for the project.
- Job Hazard Analysis (JHA) – Project specific Job Hazard Analysis including work tasks, identified hazards, hazard control methods (administrative, engineering, PPE), contractor’s name, project id, location, name and signature of a certifying person, hazard assessment date.
- Protection of Public
- Hazard Corrective Actions – Responsible staff, forms, frequency of safety inspections and implementation of corrective actions.
- Accident/Exposure Investigation – Accident/incident notification procedure of DDC project staff. Project specific procedures for accident investigation and implementation of corrective actions.
- First Aid and Medical Attention – Responsible staff, location and inspection of First Aid kit, directions to local hospitals; emergency telephone numbers.
- Project Specific Fire Protection and Prevention Program.
- Project Specific Illumination Procedure.
- Project Specific Sanitation Procedure.
- Personal Protective Equipment (PPE)
- Hazard Communication Program – Responsible staff; training; SDS records, project specific list of chemical; location of the program and SDS records.
- Means of Egress – Information regarding free and unobstructed egress from all parts of the building or structure; exit marking; maintenance of means of egress, etc.
- Employee Emergency Action Plan – Project specific: responsible staff, emergency alarm system, evacuation procedure, procedure to account for employees after evacuation, etc.
- Evacuation Plan – Project specific evacuation plan (drawing/scheme) with exists and evacuation routes.
- Protection of Underground Facilities and Utilities, including responsible staff.
- Ionizing/Nonionizing Radiation – Competent person, license and qualification requirements, type of radiation, employees exposure and protection, etc.
- Material Handling, Storage, Use and Disposal – Project specific information regarding material storage and disposal.
- Signs, Signals, and Barricades – Use of danger/warning signs, sidewalk closure, safety instruction signs, pedestrian fencing and barricades, etc.
- Scaffold – Project specific scaffold types, training, scaffold drawings, competent person, criteria for project specific scaffold, falling object protection.

City of New York Department of Design and Construction: Safety Requirements
Safety and Site Support- Quality Assurance and Construction Safety

- Welding and Cutting – project specific procedure for welding and cutting, including all necessary safety requirements such as fire prevention, personal protective equipment, hot work permits, FDNY certificate requirements.
- Fall Protection – Project specific information regarding selected fall protection systems, fall protection plan.
- Cranes, Derrick, Hoists, Elevators, Conveyors – project specific equipment information including type, rated load capacity, manufacture specification requirements, competent person, exposure to falling load, inspection, recordkeeping, clearance requirements, communication procedure, ground lines, permits.
- Excavation Safety – Competent person, project specific protective system.
- Maintenance and Protection of Traffic Plan – Project specific MPT plan, flagmen training.
- Steel Erection – Site specific erection plan, requirements for applicable written notifications, competent person.
- Demolition – Engineering survey, including written evidence, disconnection of all effected utilities, identification of all hazardous chemicals, materials, gases, etc., floor openings, chutes, inspection and maintenance of all stairs/passageways, removal of materials/debris/structural elements, lock out/tag out, competent person.
- Blasting and the Use of Explosives – Project specific safety procedures, warning signs, training/qualification, transportation, storage and use of explosives, inspection.
- Toxic and Hazardous Substances – Safety procedures for substances to be used on project.
- Noise Mitigation Plan – Completed project specific Noise Mitigation Plan.
- Confined Space Program – Project specific Confined Space Program, responsible staff, training records, equipment information, rescue procedure, list of project specific confined spaces, forms.
- Construction Vehicles/Heavy Equipment – Type of construction vehicles/heavy equipment to be used on site.
- Dust Mitigation Plan – Completed project specific Dust Mitigation Plan.

The most critical component of the Site Safety Plan is the Job Hazard Analysis (JHA) section. The JHA form is a written document prepared by the contractor. The contractor must conduct a site and task assessment JHA to identify the major job steps and any potential safety or environmental hazards related to performance of the work, eliminate or implement controls for the potential hazards, and identify proper personal protective equipment for the task. The JHA shall be communicated to all contractor/subcontractor personnel on site.

The initial Job Hazard Assessment form shall be included in the contractor's Site Safety Plan and the current form shall be available at the construction site for reference.

Certain DDC programs, such as Job Order Contracting System (JOCS), may not necessarily require Site Safety Plans. The JOCS contractor shall submit a Safety Program. The Site Safety Plan requirement for the JOCS contractor will be determined by QA&CS based on a project work scope, construction activities and project location. In addition, certain DDC Operating Units may establish client-specific program or safety requirements. The contractor's Site Safety Plan must address such client-specific program or safety requirements.

VII. KICK-OFF MEETINGS/PRE-CONSTRUCTION AND SAFETY REVIEW

RE/CPM shall invite QA&CS Construction Safety Unit to the construction kick-off meeting. A QA&CS representative will participate in this meeting with the Contractor and RE/CPM prior to the start of the project for the purpose of:

- A. Reviewing the safety issues detailed in the contract.
- B. Reviewing the Site Safety Plan.
- C. Reviewing any new issues or information that was not previously addressed.
- D. Discussing planned inspections and audits of the site by QA&CS personnel.

City of New York Department of Design and Construction: Safety Requirements
Safety and Site Support– Quality Assurance and Construction Safety

VIII. EVALUATION DURING WORK IN PROGRESS

The Contractor's adherence to these Safety Requirements will be monitored throughout the project. This will be accomplished by the following:

- A. Use of a safety checklist by a representative of the Construction Safety Unit or other designated DDC representative or Consultant during regular, unannounced inspections of the job site. Field Exit Conferences will be held with the RE/CPM, Contractor Project Safety Representatives.
- B. The RE/CPM will continually monitor the safety and environmental performance of the contractor's employees and work methods. Deficiencies shall be brought to the attention of the contractor's representative on site for immediate correction. The DDC representative will maintain a written record of these deficiencies and have these records available upon request. Any critical deficiencies shall be immediately reported to QA&CS phone# (718) 391-1624 or (718) 391-1911.
- C. If the Contractor's safety performance during the project is not up to DDC standards (safety performance measure, accident/incident rate, etc.) the Director – QA&CS, or his/her designee will meet with the Contractor's Project Safety Representative and or Project Safety Manager, the DDC Project Manager, the RE/CPM, and the DDC Environmental Specialist (if environmental issues are involved). The purpose of this meeting is to 1) determine the level of non-compliance; 2) explain and clarify the safety/environmental provisions; 3) agree on a future course of action to correct the deficiencies.
- D. If the deficiencies continue to occur with inadequate attention by the contractor, this shall, among other remedies available, be grounds for default.
- E. The contractor shall within 1 hour inform the RE/CPM/CM of all accidents/incidents including all fatalities, any injuries to employees or members of the general public, and property damage (e.g., structural damage, equipment rollovers, utility damage, loads dropped from crane). The RE/CPM shall notify the Construction Safety Unit as per DDC's Construction Safety Emergency and Accident Notification and Response Protocol and shall maintain a record of all contractor accidents/incidents for the project.
- F. The Construction Safety Unit shall be notified within two (2) hours of the start of any NYS-DOL/ NYC-COSH/ OSHA/ EPA inspections.

IX. SAFETY PERFORMANCE EVALUATION

The contractor's safety record, including accident/incident history and DDC safety inspection results, will be considered as part of the Contractor's performance evaluation at the conclusion of the project. Poor safety performance during the course of the project shall be a reason to rate a Contractor unsatisfactory which may be reflected in the City's Vendex system and will be considered for future procurement actions as set forth in the City's Procurement Policy Board Rules.

CITY OF NEW YORK
STANDARD CONSTRUCTION CONTRACT

March 2017

(NO TEXT ON THIS PAGE)

**CITY OF NEW YORK
STANDARD CONSTRUCTION CONTRACT**

TABLE OF CONTENTS

CHAPTER I: THE CONTRACT AND DEFINITIONS	1
ARTICLE 1. THE CONTRACT	1
ARTICLE 2. DEFINITIONS	1
CHAPTER II: THE WORK AND ITS PERFORMANCE.....	4
ARTICLE 3. CHARACTER OF THE WORK.....	4
ARTICLE 4. MEANS AND METHODS OF CONSTRUCTION	4
ARTICLE 5. COMPLIANCE WITH LAWS.....	5
ARTICLE 6. INSPECTION	10
ARTICLE 7. PROTECTION OF WORK AND OF PERSONS AND PROPERTY; NOTICES AND INDEMNIFICATION	11
CHAPTER III: TIME PROVISIONS	12
ARTICLE 8. COMMENCEMENT AND PROSECUTION OF THE WORK	12
ARTICLE 9. PROGRESS SCHEDULES.....	13
ARTICLE 10. REQUESTS FOR INFORMATION OR APPROVAL	13
ARTICLE 11. NOTICE OF CONDITIONS CAUSING DELAY AND DOCUMENTATION OF DAMAGES CAUSED BY DELAY	14
ARTICLE 12. COORDINATION WITH OTHER CONTRACTORS.....	18
ARTICLE 13. EXTENSION OF TIME FOR PERFORMANCE	19
ARTICLE 14. COMPLETION AND FINAL ACCEPTANCE OF THE WORK	21
ARTICLE 15. LIQUIDATED DAMAGES	23
ARTICLE 16. OCCUPATION OR USE PRIOR TO COMPLETION	23
CHAPTER IV: SUBCONTRACTS AND ASSIGNMENTS	24
ARTICLE 17. SUBCONTRACTS.....	24
ARTICLE 18. ASSIGNMENTS	26
CHAPTER V: CONTRACTOR'S SECURITY AND GUARANTEE	26
ARTICLE 19. SECURITY DEPOSIT	26
ARTICLE 20. PAYMENT GUARANTEE.....	27
ARTICLE 21. RETAINED PERCENTAGE.....	29
ARTICLE 22. INSURANCE.....	30
ARTICLE 23. MONEY RETAINED AGAINST CLAIMS	36
ARTICLE 24. MAINTENANCE AND GUARANTY	37
CHAPTER VI: CHANGES, EXTRA WORK, AND DOCUMENTATION OF CLAIM	38
ARTICLE 25. CHANGES.....	38
ARTICLE 26. METHODS OF PAYMENT FOR OVERRUNS AND EXTRA WORK	38
ARTICLE 27. RESOLUTION OF DISPUTES.....	41
ARTICLE 28. RECORD KEEPING FOR EXTRA OR DISPUTED WORK OR WORK ON A TIME & MATERIALS BASIS.....	45
ARTICLE 29. OMITTED WORK.....	46
ARTICLE 30. NOTICE AND DOCUMENTATION OF COSTS AND DAMAGES; PRODUCTION OF FINANCIAL RECORDS	46
CHAPTER VII: POWERS OF THE RESIDENT ENGINEER, THE ENGINEER OR ARCHITECT AND THE COMMISSIONER	48
ARTICLE 31. THE RESIDENT ENGINEER.....	48
ARTICLE 32. THE ENGINEER OR ARCHITECT OR PROJECT MANAGER.....	48
ARTICLE 33. THE COMMISSIONER	48
ARTICLE 34. NO ESTOPPEL	49
CHAPTER VIII: LABOR PROVISIONS.....	49
ARTICLE 35. EMPLOYEES	49
ARTICLE 36. NO DISCRIMINATION	57
ARTICLE 37. LABOR LAW REQUIREMENTS	59

ARTICLE 38. PAYROLL REPORTS	64
ARTICLE 39. DUST HAZARDS	64
CHAPTER IX: PARTIAL AND FINAL PAYMENTS	65
ARTICLE 40. CONTRACT PRICE	65
ARTICLE 41. BID BREAKDOWN ON LUMP SUM.....	65
ARTICLE 42. PARTIAL PAYMENTS	65
ARTICLE 43. PROMPT PAYMENT.....	66
ARTICLE 44. SUBSTANTIAL COMPLETION PAYMENT.....	66
ARTICLE 45. FINAL PAYMENT.....	67
ARTICLE 46. ACCEPTANCE OF FINAL PAYMENT.....	68
ARTICLE 47. APPROVAL BY PUBLIC DESIGN COMMISSION.....	69
CHAPTER X: CONTRACTOR'S DEFAULT	69
ARTICLE 48. COMMISSIONER'S RIGHT TO DECLARE CONTRACTOR IN DEFAULT	69
ARTICLE 49. EXERCISE OF THE RIGHT TO DECLARE DEFAULT	71
ARTICLE 50. QUITTING THE SITE.....	71
ARTICLE 51. COMPLETION OF THE WORK.....	71
ARTICLE 52. PARTIAL DEFAULT	71
ARTICLE 53. PERFORMANCE OF UNCOMPLETED WORK.....	72
ARTICLE 54. OTHER REMEDIES.....	72
CHAPTER XI: MISCELLANEOUS PROVISIONS	72
ARTICLE 55. CONTRACTOR'S WARRANTIES.....	72
ARTICLE 56. CLAIMS AND ACTIONS THEREON.....	73
ARTICLE 57. INFRINGEMENT	73
ARTICLE 58. NO CLAIM AGAINST OFFICIALS, AGENTS OR EMPLOYEES	74
ARTICLE 59. SERVICE OF NOTICES	74
ARTICLE 60. UNLAWFUL PROVISIONS DEEMED STRICKEN FROM CONTRACT.....	74
ARTICLE 61. ALL LEGAL PROVISIONS DEEMED INCLUDED	74
ARTICLE 62. TAX EXEMPTION	74
ARTICLE 63. INVESTIGATION(S) CLAUSE.....	76
ARTICLE 64. TERMINATION BY THE CITY	78
ARTICLE 65. CHOICE OF LAW, CONSENT TO JURISDICTION AND VENUE	80
ARTICLE 66. PARTICIPATION IN AN INTERNATIONAL BOYCOTT	81
ARTICLE 67. LOCALLY BASED ENTERPRISE PROGRAM	82
ARTICLE 68. ANTITRUST	82
ARTICLE 69. MACBRIDE PRINCIPLES PROVISIONS	83
ARTICLE 70. ELECTRONIC FILING/NYC DEVELOPMENT HUB	85
ARTICLE 71. PROHIBITION OF TROPICAL HARDWOODS.....	85
ARTICLE 72. CONFLICTS OF INTEREST.....	85
ARTICLE 73. MERGER CLAUSE	85
ARTICLE 74. STATEMENT OF WORK.....	85
ARTICLE 75. COMPENSATION TO BE PAID TO CONTRACTOR	85
ARTICLE 76. ELECTRONIC FUNDS TRANSFER.....	85
ARTICLE 77. RECORDS RETENTION	86
ARTICLE 78. EXAMINATION AND VIEWING OF SITE, CONSIDERATION OF OTHER SOURCES OF INFORMATION AND CHANGED SITE CONDITIONS.....	86

**ARTICLE 79: PARTICIPATION BY MINORITY-OWNED AND WOMEN-OWNED
BUSINESS ENTERPRISES IN CITY PROCUREMENT87**

SIGNATURES95

ACKNOWLEDGMENT BY CORPORATION96

ACKNOWLEDGMENT BY PARTNERSHIP.....96

ACKNOWLEDGMENT BY INDIVIDUAL96

ACKNOWLEDGMENT BY COMMISSIONER97

AUTHORITY98

COMPTROLLER’S CERTIFICATE98

MAYOR’S CERTIFICATE99

PERFORMANCE BOND #1100

PERFORMANCE BOND #2.....104

PAYMENT BOND108

(NO TEXT ON THIS PAGE)

WITNESSETH:

The parties, in consideration of the mutual agreements contained herein, agree as follows:

CHAPTER I: THE CONTRACT AND DEFINITIONS

ARTICLE 1. THE CONTRACT

1.1 Except for titles, subtitles, headings, running headlines, tables of contents and indices (all of which are printed herein merely for convenience), the following, except for such portions thereof as may be specifically excluded, shall be deemed to be part of this **Contract**:

1.1.1 All provisions required by law to be inserted in this **Contract**, whether actually inserted or not;

1.1.2 The Contract Drawings and Specifications;

1.1.3 The General Conditions and Special Conditions, if any;

1.1.4 The **Contract**;

1.1.5 The Information for Bidders; Request for Proposals; Notice of Solicitation and Proposal For Bids; Bid or Proposal, and, if used, the Bid Booklet;

1.1.6 All Addenda issued prior to the receipt of the bids; the Notice of Award; Performance and Payment Bonds, if required; and the Notice to Proceed or the Order to Work.

1.2 Should any conflict occur in or between the Drawings and Specifications, the **Contractor** shall be deemed to have estimated the most expensive way of doing the **Work**, unless the **Contractor** shall have asked for and obtained a decision in writing from the **Commissioner** of the **Agency** that is entering into this **Contract**, before the submission of its bid, as to what shall govern.

ARTICLE 2. DEFINITIONS

2.1 The following words and expressions, or pronouns used in their stead, shall, wherever they appear in this Contract, be construed as follows, unless a different meaning is clear from the context:

2.1.1 “**Addendum**” or “**Addenda**” shall mean the additional Contract provisions and/or technical clarifications issued in writing by the Commissioner prior to the receipt of bids.

2.1.2 “**Agency**” shall mean a city, county, borough or other office, position, department, division, bureau, board or commission, or a corporation, institution or agency of government, the expenses of which are paid in whole or in part from the City treasury.

2.1.3 “**Agency Chief Contracting Officer**” (**ACCO**) shall mean a person delegated authority by the Commissioner to organize and supervise the procurement activity of subordinate Agency staff in conjunction with the CCPO, or his/her duly authorized representative.

2.1.4 **“Allowance”** shall mean a sum of money which the Agency may include in the total amount of the Contract for such specific contingencies as the Agency believes may be necessary to complete the Work, e.g., lead or asbestos remediation, and for which the Contractor will be paid on the basis of stipulated unit prices or a formula set forth in the Contract or negotiated between the parties provided, however, that if the Contractor is not directed to use the Allowance, the Contractor shall have no right to such money and it shall be deducted from the total amount of the Contract.

2.1.5 **“City”** shall mean the City of New York.

2.1.6 **“City Chief Procurement Officer” (CCPO)** shall mean a person delegated authority by the Mayor to coordinate and oversee the procurement activity of Mayoral agency staff, including the ACCO and any offices which have oversight responsibility for the procurement of construction, or his/her duly authorized representative.

2.1.7 **“Commissioner”** shall mean the head of the Agency that has entered into this Contract, or his/her duly authorized representative.

2.1.8 **“Comptroller”** shall mean the Comptroller of the City of New York.

2.1.9 **“Contract”** or **“Contract Documents”** shall mean each of the various parts of the contract referred to in Article 1 hereof, both as a whole and severally.

2.1.10 **“Contract Drawings”** shall mean only those drawings specifically entitled as such and listed in the Specifications or in any Addendum, or any drawings furnished by the Commissioner, pertaining or supplemental thereto.

2.1.11 **“Contract Work”** shall mean everything required to be furnished and done by the Contractor by any one or more of the parts of the Contract referred to in Article 1, except Extra Work as hereinafter defined.

2.1.12 **“Contractor”** shall mean the entity which executed this Contract, whether a corporation, firm, partnership, joint venture, individual, or any combination thereof, and its, their, his/her successors, personal representatives, executors, administrators, and assigns, and any person, firm, partnership, joint venture, individual, or corporation which shall at any time be substituted in the place of the Contractor under this Contract.

2.1.13 **“Days”** shall mean calendar days, except where otherwise specified.

2.1.14 **“Engineer”** or **“Architect”** or **“Project Manager”** shall mean the person so designated in writing by the Commissioner in the Notice to Proceed or the Order to Work to act as such in relation to this Contract, including a private Architect or Engineer or Project Manager, as the case may be. Subject to written approval by the Commissioner, the Engineer, Architect or Project Manager may designate an authorized representative.

2.1.15 **“Engineering Audit Officer” (EAO)** shall mean the person so designated by the Commissioner to perform responsible auditing functions hereunder.

2.1.16 **“Extra Work”** shall mean Work other than that required by the Contract at the time of award which is authorized by the Commissioner pursuant to Chapter VI of this Contract.

2.1.17 **“Federal-Aid Contract”** shall mean a contract in which the United States (federal) Government provides financial funding as so designated in the Information for Bidders.

2.1.18 **“Final Acceptance”** shall mean final written acceptance of all the Work by the Commissioner, a copy of which shall be sent to the Contractor.

2.1.19 **“Final Approved Punch List”** shall mean a list, approved pursuant to Article 14.2.2, specifying those items of Work to be completed by the Contractor after Substantial Completion and dates for the completion of each item of Work.

2.1.20 **“Law”** or **“Laws”** shall mean the Constitution of the State of New York, the New York City Charter, the New York City Administrative Code, a statute of the United States or of the State of New York, a local law of the City of New York, any ordinance, rule or regulation having the force of law, or common law.

2.1.21 **“Materialman”** shall mean any corporation, firm, partnership, joint venture, or individual, other than employees of the Contractor, who or which contracts with the Contractor or any Subcontractor, to fabricate or deliver, or who actually fabricates or delivers, plant, materials or equipment to be incorporated in the Work.

2.1.22 **“Means and Methods of Construction”** shall mean the labor, materials, temporary structures, tools, plant, and construction equipment, and the manner and time of their use, necessary to accomplish the result intended by this Contract.

2.1.23 **“Notice to Proceed”** or **“Order to Work”** shall mean the written notice issued by the Commissioner specifying the time for commencement of the Work and the Engineer, Architect or Project Manager.

2.1.24 **“Other Contractor(s)”** shall mean any contractor (other than the entity which executed this Contract or its Subcontractors) who or which has a contract with the City for work on or adjacent to the building or Site of the Work.

2.1.25 **“Payroll Taxes”** shall mean State Unemployment Insurance (SUI), Federal Unemployment Insurance (FUI), and payments pursuant to the Federal Insurance Contributions Act (FICA).

2.1.26 **“Project”** shall mean the public improvement to which this Contract relates.

2.1.27 **“Procurement Policy Board” (PPB)** shall mean the Agency of the City of New York whose function is to establish comprehensive and consistent procurement policies and rules which shall have broad application throughout the City.

2.1.28 **“Required Quantity”** in a unit price Contract shall mean the actual quantity of any item of Work or materials which is required to be performed or furnished in order to comply with the Contract.

2.1.29 **“Resident Engineer”** shall mean the representative of the Commissioner duly designated by the Commissioner to be his/her representative at the site of the Work.

2.1.30 **“Site”** shall mean the area upon or in which the Contractor’s operations are carried on, and such other areas adjacent thereto as may be designated as such by the Engineer.

2.1.31 “**Small Tools**” shall mean items that are ordinarily required for a worker’s job function, including but not limited to, equipment that ordinarily has no licensing, insurance or substantive storage costs associated with it; such as circular and chain saws, impact drills, threaders, benders, wrenches, socket tools, etc.

2.1.32 “**Specifications**” shall mean all of the directions, requirements, and standards of performance applying to the Work as hereinafter detailed and designated under the Specifications.

2.1.33 “**Subcontractor**” shall mean any person, firm or corporation, other than employees of the Contractor, who or which contracts with the Contractor or with its subcontractors to furnish, or actually furnishes labor, or labor and materials, or labor and equipment, or superintendence, supervision and/or management at the Site. Wherever the word Subcontractor appears, it shall also mean sub-Subcontractor.

2.1.34 “**Substantial Completion**” shall mean the written determination by the Engineer that the Work required under this Contract is substantially, but not entirely, complete and the approval of the **Final Approved Punch List**.

2.1.35 “**Work**” shall mean all services required to complete the Project in accordance with the Contract Documents, including without limitation, labor, material, superintendence, management, administration, equipment, and incidentals, and obtaining any and all permits, certifications and licenses as may be necessary and required to complete the Work, and shall include both Contract Work and Extra Work.

CHAPTER II: THE WORK AND ITS PERFORMANCE

ARTICLE 3. CHARACTER OF THE WORK

3.1 Unless otherwise expressly provided in the **Contract Drawings, Specifications, and Addenda**, the **Work** shall be performed in accordance with the best modern practice, utilizing, unless otherwise specified in writing, new and unused materials of standard first grade quality and workmanship and design of the highest quality, to the satisfaction of the **Commissioner**.

ARTICLE 4. MEANS AND METHODS OF CONSTRUCTION

4.1 Unless otherwise expressly provided in the **Contract Drawings, Specifications, and Addenda**, the **Means and Methods of Construction** shall be such as the **Contractor** may choose; subject, however, to the **Engineer’s** right to reject the **Means and Methods of Construction** proposed by the **Contractor** which in the opinion of the **Engineer**:

4.1.1 Will constitute or create a hazard to the **Work**, or to persons or property; or

4.1.2 Will not produce finished **Work** in accordance with the terms of the **Contract**; or

4.1.3 Will be detrimental to the overall progress of the **Project**.

4.2 The **Engineer’s** approval of the **Contractor’s Means and Methods of Construction**, or his/her failure to exercise his/her right to reject such means or methods, shall not relieve the **Contractor**

of its obligation to complete the **Work** as provided in this **Contract**; nor shall the exercise of such right to reject create a cause of action for damages.

ARTICLE 5. COMPLIANCE WITH LAWS

5.1 The **Contractor** shall comply with all **Laws** applicable to this **Contract** and to the **Work** to be done hereunder.

5.2 Procurement Policy Board Rules: This **Contract** is subject to the Rules of the **PPB** (“**PPB Rules**”) in effect at the time of the bid opening for this **Contract**. In the event of a conflict between the **PPB Rules** and a provision of this **Contract**, the **PPB Rules** shall take precedence.

5.3 Noise Control Code provisions.

5.3.1 In accordance with the provisions of Section 24-216(b) of the Administrative Code of the **City** (“**Administrative Code**”), Noise Abatement Contract Compliance, devices and activities which will be operated, conducted, constructed or manufactured pursuant to this **Contract** and which are subject to the provisions of the **City Noise Control Code** shall be operated, conducted, constructed, or manufactured without causing a violation of the **Administrative Code**. Such devices and activities shall incorporate advances in the art of noise control development for the kind and level of noise emitted or produced by such devices and activities, in accordance with regulations issued by the **Commissioner** of the **City Department of Environmental Protection**.

5.3.2 The **Contractor** agrees to comply with Section 24-219 of the Administrative Code and implementing rules codified at 15 Rules of the **City of New York** (“**RCNY**”) Section 28-100 *et seq.* In accordance with such provisions, the **Contractor**, if the **Contractor** is the responsible party under such regulations, shall prepare and post a Construction Noise Mitigation Plan at each **Site**, in which the **Contractor** shall certify that all construction tools and equipment have been maintained so that they operate at normal manufacturers operating specifications. If the **Contractor** cannot make this certification, it must have in place an Alternative Noise Mitigation Plan approved by the **City Department of Environmental Protection**. In addition, the **Contractor’s** certified Construction Noise Mitigation Plan is subject inspection by the **City Department of Environmental Protection** in accordance with Section 28-101 of Title 15 of **RCNY**. No **Contract Work** may take place at a **Site** unless there is a Construction Noise Mitigation Plan or approved Alternative Noise Mitigation Plan in place. In addition, the **Contractor** shall create and implement a noise mitigation training program. Failure to comply with these requirements may result in fines and other penalties pursuant to the applicable provisions of the **Administrative Code** and **RCNY**.

5.4 Ultra Low Sulfur Diesel Fuel: In accordance with the provisions of Section 24-163.3 of the **Administrative Code**, the **Contractor** specifically agrees as follows:

5.4.1 Definitions. For purposes of this Article 5.4, the following definitions apply:

5.4.1(a) “**Contractor**” means any person or entity that enters into a Public Works Contract with a **City Agency**, or any person or entity that enters into an agreement with such person or entity, to perform work or provide labor or services related to such Public Works Contract.

5.4.1(b) "Motor Vehicle" means any self-propelled vehicle designed for transporting persons or property on a street or highway.

5.4.1(c) "Nonroad Engine" means an internal combustion engine (including the fuel system) that is not used in a Motor Vehicle or a vehicle used solely for competition, or that is not subject to standards promulgated under Section 7411 or Section 7521 of Title 42 of the United States Code, except that this term shall apply to internal combustion engines used to power generators, compressors or similar equipment used in any construction program or project.

5.4.1(d) "Nonroad Vehicle" means a vehicle that is powered by a Nonroad Engine, fifty (50) horsepower and greater, and that is not a Motor Vehicle or a vehicle used solely for competition, which shall include, but not be limited to, excavators, backhoes, cranes, compressors, generators, bulldozers, and similar equipment, except that this term shall not apply to horticultural maintenance vehicles used for landscaping purposes that are powered by a Nonroad Engine of sixty-five (65) horsepower or less and that are not used in any construction program or project.

5.4.1(e) "Public Works Contract" means a contract with a **City Agency** for a construction program or project involving the construction, demolition, restoration, rehabilitation, repair, renovation, or abatement of any building, structure, tunnel, excavation, roadway, park or bridge; a contract with a **City Agency** for the preparation for any construction program or project involving the construction, demolition, restoration, rehabilitation, repair, renovation, or abatement of any building, structure, tunnel, excavation, roadway, park or bridge; or a contract with a **City Agency** for any final work involved in the completion of any construction program or project involving the construction, demolition, restoration, rehabilitation, repair, renovation, or abatement of any building, structure, tunnel, excavation, roadway, park or bridge.

5.4.1(f) "Ultra Low Sulfur Diesel Fuel" means diesel fuel that has a sulfur content of no more than fifteen parts per million (15 ppm).

5.4.2 Ultra Low Sulfur Diesel Fuel

5.4.2(a) All **Contractors** shall use Ultra Low Sulfur Diesel Fuel in diesel-powered Nonroad Vehicles in the performance of this **Contract**.

5.4.2(b) Notwithstanding the requirements of Article 5.4.2(a), **Contractors** may use diesel fuel that has a sulfur content of no more than thirty parts per million (30 ppm) to fulfill the requirements of this Article 5.4.2, where the Commissioner of the City Department of Environmental Protection ("DEP Commissioner") has issued a determination that a sufficient quantity of Ultra Low Sulfur Diesel Fuel is not available to meet the needs of **Agencies** and **Contractors**. Any such determination shall expire after six (6) months unless renewed.

5.4.2(c) **Contractors** shall not be required to comply with this Article 5.4.2 where the **City Agency** letting this **Contract** makes a written finding, which is approved, in writing, by the DEP Commissioner, that a sufficient quantity of Ultra Low Sulfur Diesel Fuel, or diesel fuel that has a sulfur content of no more than thirty parts per million (30 ppm) is not available to meet the requirements of Section 24-163.3 of the Administrative Code, provided that such **Contractor** in its fulfillment of the

requirements of this **Contract**, to the extent practicable, shall use whatever quantity of Ultra Low Sulfur Diesel Fuel or diesel fuel that has a sulfur content of no more than thirty parts per million (30 ppm) is available. Any finding made pursuant to this Article 5.4.2(c) shall expire after sixty (60) **Days**, at which time the requirements of this Article 5.4.2 shall be in full force and effect unless the **City Agency** renews the finding in writing and such renewal is approved by the DEP Commissioner.

5.4.2(d) **Contractors** may check on determinations and approvals issued by the DEP Commissioner pursuant to Section 24-163.3 of the Administrative Code, if any, at www.dep.nyc.gov or by contacting the **City Agency** letting this **Contract**.

5.4.2(e) The requirements of this Article 5.4.2 do not apply where they are precluded by federal or State funding requirements or where the **Contract** is an emergency procurement.

5.4.3 Best Available Technology

5.4.3(a) All **Contractors** shall utilize the best available technology for reducing the emission of pollutants for diesel-powered Nonroad Vehicles in the performance of this **Contract**. For determinations of best available technology for each type of diesel-powered Nonroad Vehicle, **Contractors** shall comply with the regulations of the **City Department of Environmental Protection**, as and when adopted, Chapter 14 of Title 15 of the Rules of the City of New York (RCNY). The **Contractor** shall fully document all steps in the best available technology selection process and shall furnish such documentation to the **City Agency** or the DEP Commissioner upon request. The **Contractor** shall retain all documentation generated in the best available technology selection process for as long as the selected best available technology is in use.

5.4.3(b) No **Contractor** shall be required to replace best available technology for reducing the emission of pollutants or other authorized technology utilized for a diesel-powered Nonroad Vehicle in accordance with the provisions of this Article 5.4.3 within three (3) years of having first utilized such technology for such vehicle.

5.4.3(c) This Article 5.4.3 shall not apply to any vehicle used to satisfy the requirements of a specific Public Works Contract for fewer than twenty (20) **Days**.

5.4.3(d) The **Contractor** shall not be required to comply with this Article 5.4.3 with respect to a diesel-powered Nonroad Vehicle under the following circumstances:

5.4.3(d)(i) Where the **City Agency** makes a written finding, which is approved, in writing, by the DEP Commissioner, that the best available technology for reducing the emission of pollutants as required by this Article 5.4.3 is unavailable for such vehicle, the **Contractor** shall use whatever technology for reducing the emission of pollutants, if any, is available and appropriate for such vehicle.

5.4.3(d)(ii) Where the DEP Commissioner has issued a written waiver based upon the **Contractor** having demonstrated to the DEP Commissioner that the use of the best available technology for reducing the emission of pollutants might endanger the operator of such vehicle or those working near such vehicle, due to engine malfunction, the **Contractor** shall use whatever technology for

reducing the emission of pollutants, if any, is available and appropriate for such vehicle, which would not endanger the operator of such vehicle or those working near such vehicle.

5.4.3(d)(iii) In determining which technology to use for the purposes of Articles 5.4.3(d)(i) and 5.4.3(d)(ii) above, the **Contractor** shall primarily consider the reduction in emissions of particulate matter and secondarily consider the reduction in emissions of nitrogen oxides associated with the use of such technology, which shall in no event result in an increase in the emissions of either such pollutant.

5.4.3(d)(iv) The **Contractor** shall submit requests for a finding or a waiver pursuant to this Article 5.4.3(d) in writing to the DEP Commissioner, with a copy to the **ACCO** of the **City Agency** letting this **Contract**. Any finding or waiver made or issued pursuant to Articles 5.4.3(d)(i) and 5.4.3(d)(ii) above shall expire after one hundred eighty (180) **Days**, at which time the requirements of Article 5.4.3(a) shall be in full force and effect unless the **City Agency** renews the finding, in writing, and the DEP Commissioner approves such finding, in writing, or the DEP Commissioner renews the waiver, in writing.

5.4.3(e) The requirements of this Article 5.4.3 do not apply where they are precluded by federal or State funding requirements or where the **Contract** is an emergency procurement.

5.4.4 Section 24-163 of the Administrative Code. The **Contractor** shall comply with Section 24-163 of the Administrative Code related to the idling of the engines of motor vehicles while parking.

5.4.5 Compliance

5.4.5(a) The **Contractor's** compliance with Article 5.4 may be independently monitored. If it is determined that the **Contractor** has failed to comply with any provision of Article 5.4, any costs associated with any independent monitoring incurred by the **City** shall be reimbursed by the **Contractor**.

5.4.5(b) Any **Contractor** who violates any provision of Article 5.4, except as provided in Article 5.4.5(c) below, shall be liable for a civil penalty between the amounts of one thousand (\$1,000) and ten thousand (\$10,000) dollars, in addition to twice the amount of money saved by such **Contractor** for failure to comply with Article 5.4.

5.4.5(c) No **Contractor** shall make a false claim with respect to the provisions of Article 5.4 to a **City Agency**. Where a **Contractor** has been found to have done so, such **Contractor** shall be liable for a civil penalty of twenty thousand (\$20,000) dollars, in addition to twice the amount of money saved by such **Contractor** in association with having made such false claim.

5.4.6 Reporting

5.4.6(a) For all Public Works Contracts covered by this Article 5.4, the **Contractor** shall report to the **City Agency** the following information:

5.4.6(a)(i) The total number of diesel-powered Nonroad Vehicles used to fulfill the requirements of this Public Works Contract;

5.4.6(a)(ii) The number of such Nonroad Vehicles that were powered by Ultra Low Sulfur Diesel Fuel;

5.4.6(a)(iii) The number of such Nonroad Vehicles that utilized the best available technology for reducing the emission of pollutants, including a breakdown by vehicle model and the type of technology;

5.4.6(a)(iv) The number of such Nonroad Vehicles that utilized such other authorized technology in accordance with Article 5.4.3, including a breakdown by vehicle model and the type of technology used for each such vehicle;

5.4.6(a)(v) The locations where such Nonroad Vehicles were used; and

5.4.6(a)(vi) Where a determination is in effect pursuant to Article 5.4.2(b) or 5.4.2(c), detailed information concerning the **Contractor's** efforts to obtain Ultra Low Sulfur Diesel Fuel or diesel fuel that has a sulfur content of no more than thirty parts per million (30 ppm).

5.4.6(b) The **Contractor** shall submit the information required by Article 5.4.6(a) at the completion of **Work** under the Public Works Contract and on a yearly basis no later than August 1 throughout the term of the Public Works Contract. The yearly report shall cover **Work** performed during the preceding fiscal year (July 1 - June 30).

5.5 Ultra Low Sulfur Diesel Fuel. In accordance with the Coordinated Construction Act for Lower Manhattan, as amended:

5.5.1 Definitions. For purposes of this Article 5.5, the following definitions apply:

5.5.1(a) "Lower Manhattan" means the area to the south of and within the following lines: a line beginning at a point where the United States pierhead line in the Hudson River as it exists now or may be extended would intersect with the southerly line of West Houston Street in the Borough of Manhattan extended, thence easterly along the southerly side of West Houston Street to the southerly side of Houston Street, thence easterly along the southerly side of Houston Street to the southerly side of East Houston Street, thence northeasterly along the southerly side of East Houston Street to the point where it would intersect with the United States pierhead line in the East River as it exists now or may be extended, including tax lots within or immediately adjacent thereto.

5.5.1(b) "Lower Manhattan Redevelopment Project" means any project in Lower Manhattan that is funded in whole or in part with federal or State funding, or any project intended to improve transportation between Lower Manhattan and the two air terminals in the City known as LaGuardia Airport and John F. Kennedy International Airport, or between Lower Manhattan and the air terminal in Newark known as Newark Liberty International Airport, and that is funded in whole or in part with federal funding.

5.5.1(c) "Nonroad Engine" means an internal combustion engine (including the fuel system) that is not used in a Motor Vehicle or a vehicle used solely for competition, or that is not subject to standards promulgated under Section 7411 or Section 7521 of Title 42 of the United States Code, except that this term shall apply to internal combustion engines used to power generators, compressors or similar equipment used in any construction program or project.

5.5.1(d) "Nonroad Vehicle" means a vehicle that is powered by a Nonroad Engine, fifty (50) horsepower (HP) and greater, and that is not a Motor Vehicle or a vehicle used solely for competition, which shall include, but not be limited to, excavators, backhoes, cranes, compressors, generators, bulldozers, and similar equipment, except that this terms shall not apply to horticultural maintenance vehicles used for landscaping purposes that are powered by a Nonroad Engine of sixty-five (65) HP or less and that are not used in any construction program or project.

5.5.1(e) "Ultra Low Sulfur Diesel Fuel" means diesel fuel that has a sulfur content of no more than fifteen parts per million (15 ppm).

5.5.2 Requirements. **Contractors** and **Subcontractors** are required to use only Ultra Low Sulfur Diesel Fuel to power the diesel-powered Nonroad Vehicles with engine HP rating of fifty (50) HP and above used on a Lower Manhattan Redevelopment Project and, where practicable, to reduce the emission of pollutants by retrofitting such Nonroad Vehicles with oxidation catalysts, particulate filters, or technology that achieves lowest particulate matter emissions.

5.6 Pesticides. In accordance with Section 17-1209 of the Administrative Code, to the extent that the **Contractor** or any **Subcontractor** applies pesticides to any property owned or leased by the **City**, the **Contractor**, and any **Subcontractor** shall comply with Chapter 12 of the Administrative Code.

5.7 Waste Treatment, Storage, and Disposal Facilities and Transporters. In connection with the **Work**, the **Contractor** and any **Subcontractor** shall use only those waste treatment, storage, and disposal facilities and waste transporters that possess the requisite license, permit or other governmental approval necessary to treat, store, dispose, or transport the waste, materials or hazardous substances.

5.8 Environmentally Preferable Purchasing. The **Contractor** shall ensure that products purchased or leased by the **Contractor** or any **Subcontractor** for the **Work** that are not specified by the **City** or are submitted as equivalents to a product specified by the **City** comply with the requirements of the New York City Environmentally Preferable Purchasing Program contained in Chapter 11 of Title 43 of the RCNY, pursuant to Chapter 3 of Title 6 of the Administrative Code.

ARTICLE 6. INSPECTION

6.1 During the progress of the **Work** and up to the date of **Final Acceptance**, the **Contractor** shall at all times afford the representatives of the **City** every reasonable, safe, and proper facility for inspecting all **Work** done or being done at the **Site** and also for inspecting the manufacture or preparation of materials and equipment at the place of such manufacture or preparation.

6.2 The **Contractor's** obligation hereunder shall include the uncovering or taking down of finished **Work** and its restoration thereafter; provided, however, that the order to uncover, take down and restore shall be in writing, and further provided that if **Work** thus exposed proves satisfactory, and if the **Contractor** has complied with Article 6.1, such uncovering or taking down and restoration shall be

considered an item of **Extra Work** to be paid for in accordance with the provisions of Article 26. If the **Work** thus exposed proves unsatisfactory, the **City** has no obligation to compensate the **Contractor** for the uncovering, taking down or restoration.

6.3 Inspection and approval by the **Commissioner**, the **Engineer**, **Project Manager**, or **Resident Engineer**, of finished **Work** or of **Work** being performed, or of materials and equipment at the place of manufacture or preparation, shall not relieve the **Contractor** of its obligation to perform the **Work** in strict accordance with the **Contract**. Finished or unfinished **Work** not found to be in strict accordance with the **Contract** shall be replaced as directed by the **Engineer**, even though such **Work** may have been previously approved and paid for. Such corrective **Work** is **Contract Work** and shall not be deemed **Extra Work**.

6.4 Rejected **Work** and materials shall be promptly taken down and removed from the **Site**, which must at all times be kept in a reasonably clean and neat condition.

ARTICLE 7. PROTECTION OF WORK AND OF PERSONS AND PROPERTY; NOTICES AND INDEMNIFICATION

7.1 During the performance of the **Work** and up to the date of **Final Acceptance**, the **Contractor** shall be under an absolute obligation to protect the finished and unfinished **Work** against any damage, loss, injury, theft and/or vandalism and in the event of such damage, loss, injury, theft and/or vandalism, it shall promptly replace and/or repair such **Work** at the **Contractor's** sole cost and expense, as directed by the **Resident Engineer**. The obligation to deliver finished **Work** in strict accordance with the **Contract** prior to **Final Acceptance** shall be absolute and shall not be affected by the **Resident Engineer's** approval of, or failure to prohibit, the **Means and Methods of Construction** used by the **Contractor**.

7.2 During the performance of the **Work** and up to the date of **Final Acceptance**, the **Contractor** shall take all reasonable precautions to protect all persons and the property of the **City** and of others from damage, loss or injury resulting from the **Contractor's**, and/or its **Subcontractors'** operations under this **Contract**. The **Contractor's** obligation to protect shall include the duty to provide, place or replace, and adequately maintain at or about the **Site** suitable and sufficient protection such as lights, barricades, and enclosures.

7.3 The **Contractor** shall comply with the notification requirements set forth below in the event of any loss, damage or injury to **Work**, persons or property, or any accidents arising out of the operations of the **Contractor** and/or its **Subcontractors** under this **Contract**.

7.3.1 The **Contractor** shall make a full and complete report in writing to the **Resident Engineer** within three (3) **Days** after the occurrence.

7.3.2 The **Contractor** shall also send written notice of any such event to all insurance carriers that issued potentially responsive policies (including commercial general liability insurance carriers for events relating to the **Contractor's** own employees) no later than twenty (20) days after such event and again no later than twenty (20) days after the initiation of any claim and/or action resulting therefrom. Such notice shall contain the following information: the number of the insurance policy, the name of the Named Insured, the date and location of the incident, and the identity of the persons injured or property damaged. For any policy on which the **City** and/or the **Engineer**, **Architect**, or **Project Manager** are Additional Insureds, such notice shall expressly specify that "this notice is

being given on behalf of the City of New York as Additional Insured, such other Additional Insureds, as well as the Named Insured.”

7.3.2(a) Whenever such notice is sent under a policy on which the **City** is an Additional Insured, the **Contractor** shall provide copies of the notice to the **Comptroller**, the **Commissioner** and the **City Corporation Counsel**. The copy to the **Comptroller** shall be sent to the Insurance Unit, NYC Comptroller’s Office, 1 Centre Street – Room 1222, New York, New York, 10007. The copy to the **Commissioner** shall be sent to the address set forth in Schedule A of the General Conditions. The copy to the **City Corporation Counsel** shall be sent to Insurance Claims Specialist, Affirmative Litigation Division, New York City Law Department, 100 Church Street, New York, New York 10007.

7.3.2(b) If the **Contractor** fails to provide any of the foregoing notices to any appropriate insurance carrier(s) in a timely and complete manner, the **Contractor** shall indemnify the **City** for all losses, judgments, settlements, and expenses, including reasonable attorneys’ fees, arising from an insurer’s disclaimer of coverage citing late notice by or on behalf of the **City**.

7.4 To the fullest extent permitted by law, the **Contractor** shall defend, indemnify, and hold the **City**, its employees, and officials (the “Indemnitees”) harmless against any and all claims (including but not limited to claims asserted by any employee of the **Contractor** and/or its **Subcontractors**) and costs and expenses of whatever kind (including but not limited to payment or reimbursement of attorneys’ fees and disbursements) allegedly arising out of or in any way related to the operations of the **Contractor** and/or its **Subcontractors** in the performance of this **Contract** or from the **Contractor’s** and/or its **Subcontractors’** failure to comply with any of the provisions of this **Contract** or of the **Law**. Such costs and expenses shall include all those incurred in defending the underlying claim and those incurred in connection with the enforcement of this Article 7.4 by way of cross-claim, third-party claim, declaratory action or otherwise. The parties expressly agree that the indemnification obligation hereunder contemplates (1) full indemnity in the event of liability imposed against the Indemnitees without negligence and solely by reason of statute, operation of **Law** or otherwise; and (2) partial indemnity in the event of any actual negligence on the part of the Indemnitees either causing or contributing to the underlying claim (in which case, indemnification will be limited to any liability imposed over and above that percentage attributable to actual fault whether by statute, by operation of **Law**, or otherwise). Where partial indemnity is provided hereunder, all costs and expenses shall be indemnified on a pro rata basis.

7.4.1 Indemnification under Article 7.4 or any other provision of the **Contract** shall operate whether or not **Contractor** or its **Subcontractors** have placed and maintained the insurance specified under Article 22.

7.5 The provisions of this Article 7 shall not be deemed to create any new right of action in favor of third parties against the **Contractor** or the **City**.

CHAPTER III: TIME PROVISIONS

ARTICLE 8. COMMENCEMENT AND PROSECUTION OF THE WORK

8.1 The **Contractor** shall commence the **Work** on the date specified in the **Notice to Proceed** or the **Order to Work**. The time for performance of the **Work** under the **Contract** shall be computed from

the date specified in the **Notice to Proceed** or the **Order to Work**. **TIME BEING OF THE ESSENCE** to the **City**, the **Contractor** shall thereafter prosecute the **Work** diligently, using such **Means and Methods of Construction** as are in accord with Article 4 herein and as will assure its completion not later than the date specified in this Contract, or on the date to which the time for completion may be extended.

ARTICLE 9. PROGRESS SCHEDULES

9.1 To enable the **Work** to be performed in an orderly and expeditious manner, the **Contractor**, within fifteen (15) **Days** after the **Notice to Proceed** or **Order to Work**, unless otherwise directed by the **Engineer**, shall submit to the **Engineer** a proposed progress schedule based on the Critical Path Method in the form of a bar graph or in such other form as specified by the **Engineer**, and monthly cash flow requirements, showing:

9.1.1 The anticipated time of commencement and completion of each of the various operations to be performed under this **Contract**; and

9.1.2 The sequence and interrelation of each of these operations with the others and with those of other related contracts; and

9.1.3 The estimated time required for fabrication or delivery, or both, of all materials and equipment required for the **Work**, including the anticipated time for obtaining required approvals pursuant to Article 10; and

9.1.4 The estimated amount in dollars the **Contractor** will claim on a monthly basis.

9.2 The proposed schedule shall be revised as directed by the **Engineer**, until finally approved by the **Engineer**, and after such approval, subject to the provisions of Article 11, shall be strictly adhered to by the **Contractor**.

9.3 If the **Contractor** shall fail to adhere to the approved progress schedule, or to the schedule as revised pursuant to Article 11, it shall promptly adopt such other or additional **Means and Methods of Construction**, at its sole cost and expense, as will make up for the time lost and will assure completion in accordance with the approved progress schedule. The approval by the **City** of a progress schedule which is shorter than the time allotted under the **Contract** shall not create any liability for the **City** if the approved progress schedule is not met.

9.4 The **Contractor** will not receive any payments until the proposed progress schedule is submitted.

ARTICLE 10. REQUESTS FOR INFORMATION OR APPROVAL

10.1 From time to time as the **Work** progresses and in the sequence indicated by the approved progress schedule, the **Contractor** shall submit to the **Engineer** a specific request in writing for each item of information or approval required by the **Contractor**. These requests shall state the latest date upon which the information or approval is actually required by the **Contractor**, and shall be submitted in a reasonable time in advance thereof to provide the **Engineer** a sufficient time to act upon such submissions, or any necessary re-submissions thereof.

10.2 The **Contractor** shall not have any right to an extension of time on account of delays due to the **Contractor's** failure to submit requests for the required information or the required approval in accordance with the above requirements.

ARTICLE 11. NOTICE OF CONDITIONS CAUSING DELAY AND DOCUMENTATION OF DAMAGES CAUSED BY DELAY

11.1 After the commencement of any condition which is causing or may cause a delay in completion of the **Work**, including conditions for which the **Contractor** may be entitled to an extension of time, the following notifications and submittals are required:

11.1.1 Within fifteen (15) **Days** after the **Contractor** becomes aware or reasonably should be aware of each such condition, the **Contractor** must notify the **Resident Engineer or Engineer**, as directed by the **Commissioner**, in writing of the existence, nature and effect of such condition upon the approved progress schedule and the **Work**, and must state why and in what respects, if any, the condition is causing or may cause a delay. Such notice shall include a description of the construction activities that are or could be affected by the condition and may include any recommendations the **Contractor** may have to address the delay condition and any activities the **Contractor** may take to avoid or minimize the delay.

11.1.2 If the **Contractor** shall claim to be sustaining damages for delay as provided for in this Article 11, within forty-five (45) **Days** from the time such damages are first incurred for each such condition, the **Contractor** shall submit to the **Commissioner** a verified written statement of the details and estimates of the amounts of such damages, including categories of expected damages and projected monthly costs, together with documentary evidence of such damages as the **Contractor** may have at the time of submission ("statement of delay damages"), as further detailed in Article 11.6. The **Contractor** may submit the above statement within such additional time as may be granted by the **Commissioner** in writing upon written request therefor.

11.1.3 Articles 11.1.1 and 11.1.2 do not relieve the **Contractor** of its obligation to comply with the provisions of Article 44.

11.2 Failure of the **Contractor** to strictly comply with the requirements of Article 11.1.1 may, in the discretion of the **Commissioner**, be deemed sufficient cause to deny any extension of time on account of delay arising out of such condition. Failure of the **Contractor** to strictly comply with the requirements of both Articles 11.1.1 and 11.1.2 shall be deemed a conclusive waiver by the **Contractor** of any and all claims for damages for delay arising from such condition and no right to recover on such claims shall exist.

11.3 When appropriate and directed by the **Engineer**, the progress schedule shall be revised by the **Contractor** until finally approved by the **Engineer**. The revised progress schedule must be strictly adhered to by the **Contractor**.

11.4 **Compensable Delays**

11.4.1 The **Contractor** agrees to make claim only for additional costs attributable to delay in the performance of this **Contract** necessarily extending the time for completion of the **Work** or resulting from acceleration directed by the **Commissioner** and required to maintain the progress schedule, occasioned solely by any act or omission to act of the **City** listed below. The **Contractor** also agrees that delay from any other cause shall be

compensated, if at all, solely by an extension of time to complete the performance of the **Work**.

- 11.4.1.1 The failure of the **City** to take reasonable measures to coordinate and progress the **Work** to the extent required by the **Contract**, except that the **City** shall not be responsible for the **Contractor's** obligation to coordinate and progress the **Work** of its **Subcontractors**.
- 11.4.1.2 Unreasonable delays attributable to the review of shop drawings, the issuance of change orders, or the cumulative impact of change orders that were not brought about by any act or omission of the **Contractor**.
- 11.4.1.3 The unavailability of the **Site** caused by acts or omissions of the **City**.
- 11.4.1.4 The issuance by the **Engineer** of a stop work order that was not brought about through any act or omission of the **Contractor**.
- 11.4.1.5 Differing site conditions or environmental hazards that were neither known nor reasonably ascertainable on a pre-bid inspection of the **Site** or review of the bid documents or other publicly available sources, and that are not ordinarily encountered in the **Project's** geographical area or neighborhood or in the type of **Work** to be performed.
- 11.4.1.6 Delays caused by the **City's** bad faith or its willful, malicious, or grossly negligent conduct;
- 11.4.1.7 Delays not contemplated by the parties;
- 11.4.1.8 Delays so unreasonable that they constitute an intentional abandonment of the **Contract** by the **City**; and
- 11.4.1.9 Delays resulting from the **City's** breach of a fundamental obligation of the **Contract**.

11.4.2 No claim may be made for any alleged delay in **Substantial Completion** of the **Work** if the **Work** will be or is substantially completed by the date of **Substantial Completion** provided for in Schedule A unless acceleration has been directed by the **Commissioner** to meet the date of **Substantial Completion** set forth in Schedule A, or unless there is a provision in the **Contract** providing for additional compensation for early completion.

11.4.3 The provisions of this Article 11 apply only to claims for additional costs attributable to delay and do not preclude determinations by the **Commissioner** allowing reimbursements for additional costs for **Extra Work** pursuant to Articles 25 and 26 of this **Contract**. To the extent that any cost attributable to delay is reimbursed as part of a change order, no additional claim for compensation under this Article 11 shall be allowed.

11.5 Non-Compensable Delays. The **Contractor** agrees to make no claim for, and is deemed to have included in its bid prices for the various items of the **Contract**, the extra/additional costs attributable to any delays caused by or attributable to the items set forth below. For such items, the **Contractor** shall be compensated, if at all, solely by an extension of time to complete the performance of the **Work**, in accordance with the provisions of Article 13. Such extensions of time will be granted, if at all, pursuant to the grounds set forth in Article 13.3.

11.5.1 The acts or omissions of any third parties, including but not limited to **Other Contractors**, public/ governmental bodies (other than **City Agencies**), utilities or private enterprises, who are disclosed in the **Contract Documents** or are ordinarily encountered or generally recognized as related to the **Work**;

11.5.2 Any situation which was within the contemplation of the parties at the time of entering into the **Contract**, including any delay indicated or disclosed in the **Contract Documents** or that would be generally recognized by a reasonably prudent contractor as related to the nature of the **Work**, and/or the existence of any facility or appurtenance owned, operated or maintained by any third party, as indicated or disclosed in the **Contract Documents** or ordinarily encountered or generally recognized as related to the nature of the **Work**;

11.5.3 Restraining orders, injunctions or judgments issued by a court which were caused by a Contractor's submission, action or inaction or by a Contractor's **Means and Methods of Construction**, or by third parties, unless such order, injunction or judgment was the result of an act or omission by the **City**;

11.5.4 Any labor boycott, strike, picketing, lockout or similar situation;

11.5.5 Any shortages of supplies or materials, or unavailability of equipment, required by the **Contract Work**;

11.5.6 Climatic conditions, storms, floods, droughts, tidal waves, fires, hurricanes, earthquakes, landslides or other catastrophes or acts of God, or acts of war or of the public enemy or terrorist acts, including the **City's** reasonable responses thereto; and

11.5.7 **Extra Work** which does not significantly affect the overall completion of the **Contract**, reasonable delays in the review or issuance of change orders or field orders and/or in shop drawing reviews or approvals.

11.6 Required Content of Submission of Statement of Delay Damages

11.6.1 In the verified written statement of delay damages required by Article 11.1.2, the following information shall be provided by the **Contractor**:

11.6.1.1 For each delay, the start and end dates of the claimed periods of delay and, in addition, a description of the operations that were delayed; an explanation of how they were delayed, and the reasons for the delay, including identifying the applicable act or omission of the **City** listed in Article 11.4.

11.6.1.2 A detailed factual statement of the claim providing all necessary dates, locations and items of **Work** affected by the claim.

11.6.1.3 The estimated amount of additional compensation sought and a breakdown of that amount into categories as described in Article 11.7.

11.6.1.4 Any additional information requested by the **Commissioner**.

11.7 Recoverable Costs

11.7.1 Delay damages may be recoverable for the following costs actually and necessarily incurred in the performance of the **Work**:

11.7.1.1 Direct labor, including payroll taxes (subject to statutory wage caps) and supplemental benefits, based on time and materials records;

11.7.1.2 Necessary materials (including transportation to the **Site**), based on time and material records;

- 11.7.1.3 Reasonable rental value of necessary plant and equipment other than small tools, plus fuel/energy costs according to the applicable formula set forth in Articles 26.2.4 and/or 26.2.8, based on time and material records;
- 11.7.1.4 Additional insurance and bond costs;
- 11.7.1.5 Extended **Site** overhead, field office rental, salaries of field office staff, on-site project managers and superintendents, field office staff vehicles, **Project-specific** storage, field office utilities and telephone, and field office consumables;
- 11.7.1.6 Labor escalation costs based on actual costs;
- 11.7.1.7 Materials and equipment escalation costs based on applicable industry indices unless documentation of actual increased cost is provided;
- 11.7.1.8 Additional material and equipment storage costs based on actual documented costs and additional costs necessitated by extended manufacturer warranty periods; and
- 11.7.1.9 Extended home office overhead calculated based on the following formula:
 - (1) Subtract from the original **Contract** amount the amount earned by original contractual **Substantial Completion** date (not including change orders);
 - (2) Remove 15% overhead and profit from the calculation in item (1) by dividing the results of item (1) by 1.15;
 - (3) Multiply the result of item (2) by 7.25% for the total home office overhead;
 - (4) Multiply the result of item (3) by 7.25% for the total profit; and
 - (5) The total extended home office overhead will be the total of items (3) and (4).

11.7.2 Recoverable Subcontractor Costs. When the **Work** is performed by a **Subcontractor**, the **Contractor** may be paid the actual and necessary costs of such subcontracted **Work** as outlined above in Articles 11.7.1.1 through 11.7.1.8, and an additional overhead of 5% of the costs outlined in Articles 11.7.1.1 through 11.7.1.3.

11.7.3 Non-Recoverable Costs. The parties agree that the **City** will have no liability for the following items and the **Contractor** agrees it shall make no claim for the following items:

- 11.7.3.1 Profit, or loss of anticipated or unanticipated profit, except as provided in Article 11.7.1.9;
- 11.7.3.2 Consequential damages, including, but not limited to, construction or bridge loans or interest paid on such loans, loss of bonding capacity, bidding opportunities, or interest in investment, or any resulting insolvency;
- 11.7.3.3 Indirect costs or expenses of any nature except those included in Article 11.7.1;
- 11.7.3.4 Direct or indirect costs attributable to performance of **Work** where the **Contractor**, because of situations or conditions within its control, has not progressed the **Work** in a satisfactory manner; and
- 11.7.3.5 Attorneys' fees and dispute and claims preparation expenses.

11.8 Any claims for delay under this Article 11 are not subject to the jurisdiction of the Contract Dispute Resolution Board pursuant to the dispute resolution process set forth in Article 27.

11.9 Any compensation provided to the **Contractor** in accordance with this Article 11 will be made pursuant to a claim filed with the **Comptroller**. Nothing in this Article 11 extends the time for the **Contractor** to file an action with respect to a claim within six months after **Substantial Completion** pursuant to Article 56.

ARTICLE 12. COORDINATION WITH OTHER CONTRACTORS

12.1 During the progress of the **Work**, **Other Contractors** may be engaged in performing other work or may be awarded other contracts for additional work on this **Project**. In that event, the **Contractor** shall coordinate the **Work** to be done hereunder with the work of such **Other Contractors** and the **Contractor** shall fully cooperate with such **Other Contractors** and carefully fit its own **Work** to that provided under other contracts as may be directed by the **Engineer**. The **Contractor** shall not commit or permit any act which will interfere with the performance of work by any **Other Contractors**.

12.2 If the **Engineer** determines that the **Contractor** is failing to coordinate its **Work** with the work of **Other Contractors** as the **Engineer** has directed, then the **Commissioner** shall have the right to withhold any payments otherwise due hereunder until the **Contractor** completely complies with the **Engineer's** directions.

12.3 The **Contractor** shall notify the **Engineer** in writing if any **Other Contractor** on this **Project** is failing to coordinate its work with the **Work** of this **Contract**. If the **Engineer** finds such charges to be true, the **Engineer** shall promptly issue such directions to the **Other Contractor** with respect thereto as the situation may require. The **City** shall not, however, be liable for any damages suffered by any **Other Contractor's** failure to coordinate its work with the **Work** of this **Contract** or by reason of the **Other Contractor's** failure to promptly comply with the directions so issued by the **Engineer**, or by reason of any **Other Contractor's** default in performance, it being understood that the **City** does not guarantee the responsibility or continued efficiency of any contractor. The **Contractor** agrees to make no claim against the **City** for any damages relating to or arising out of any directions issued by the **Engineer** pursuant to this Article 12 (including but not limited to the failure of any **Other Contractor** to comply or promptly comply with such directions), or the failure of any **Other Contractor** to coordinate its work, or the default in performance of any **Other Contractor**.

12.4 The **Contractor** shall indemnify and hold the **City** harmless from any and all claims or judgments for damages and from costs and expenses to which the **City** may be subjected or which it may suffer or incur by reason of the **Contractor's** failure to comply with the **Engineer's** directions promptly; and the **Comptroller** shall have the right to exercise the powers reserved in Article 23 with respect to any claims which may be made for damages due to the **Contractor's** failure to comply with the **Engineer's** directions promptly. Insofar as the facts and **Law** relating to any claim would preclude the **City** from being completely indemnified by the **Contractor**, the **City** shall be partially indemnified by the **Contractor** to the fullest extent provided by **Law**.

12.5 Should the **Contractor** sustain any damage through any act or omission of any **Other Contractor** having a contract with the **City** for the performance of work upon the **Site** or of work which may be necessary to be performed for the proper prosecution of the **Work** to be performed hereunder, or through any act or omission of a subcontractor of such **Other Contractor**, the **Contractor** shall have no claim against the **City** for such damage, but shall have a right to recover such damage from the **Other**

Contractor under the provision similar to the following provisions which apply to this **Contract** and have been or will be inserted in the contracts with such **Other Contractors**:

12.5.1 Should any **Other Contractor** having or who shall hereafter have a contract with the **City** for the performance of work upon the **Site** sustain any damage through any act or omission of the **Contractor** hereunder or through any act or omission of any **Subcontractor** of the **Contractor**, the **Contractor** agrees to reimburse such **Other Contractor** for all such damages and to defend at its own expense any action based upon such claim and if any judgment or claim (even if the allegations of the action are without merit) against the **City** shall be allowed the **Contractor** shall pay or satisfy such judgment or claim and pay all costs and expenses in connection therewith and agrees to indemnify and hold the **City** harmless from all such claims. Insofar as the facts and **Law** relating to any claim would preclude the **City** from being completely indemnified by the **Contractor**, the **City** shall be partially indemnified by the **Contractor** to the fullest extent provided by **Law**.

12.6 The **City's** right to indemnification hereunder shall in no way be diminished, waived or discharged by its recourse to assessment of liquidated damages as provided in Article 15, or by the exercise of any other remedy provided for by **Contract** or by **Law**.

ARTICLE 13. EXTENSION OF TIME FOR PERFORMANCE

13.1 If performance by the **Contractor** is delayed for a reason set forth in Article 13.3, the **Contractor** may be allowed a reasonable extension of time in conformance with this Article 13 and the **PPB Rules**.

13.2 Any extension of time may be granted only by the **ACCO** or by the Board for the Extension of Time (hereafter "Board") (as set forth below) upon written application by the **Contractor**:

13.3 Grounds for Extension: If such application is made, the **Contractor** shall be entitled to an extension of time for delay in completion of the **Work** caused solely:

13.3.1 By the acts or omissions of the **City**, its officials, agents or employees; or

13.3.2 By the act or omissions of **Other Contractors** on this **Project**; or

13.3.3 By supervening conditions entirely beyond the control of either party hereto (such as, but not limited to, acts of God or the public enemy, excessive inclement weather, war or other national emergency making performance temporarily impossible or illegal, or strikes or labor disputes not brought about by any act or omission of the **Contractor**).

13.3.4 The **Contractor** shall, however, be entitled to an extension of time for such causes only for the number of **Days** of delay which the **ACCO** or the Board may determine to be due solely to such causes, and then only if the **Contractor** shall have strictly complied with all of the requirements of Articles 9 and 10.

13.4 The **Contractor** shall not be entitled to receive a separate extension of time for each of several causes of delay operating concurrently, but, if at all, only for the actual period of delay in completion of the **Work** as determined by the **ACCO** or the Board, irrespective of the number of causes contributing to produce such delay. If one of several causes of delay operating concurrently results from any act, fault or omission of the **Contractor** or of its **Subcontractors** or **Materialmen**, and would of itself (irrespective

of the concurrent causes) have delayed the **Work**, no extension of time will be allowed for the period of delay resulting from such act, fault or omission.

13.5 The determination made by the **ACCO** or the Board on an application for an extension of time shall be binding and conclusive on the **Contractor**.

13.6 The **ACCO** or the Board acting entirely within their discretion may grant an application for an extension of time for causes of delay other than those herein referred.

13.7 Permitting the **Contractor** to continue with the **Work** after the time fixed for its completion has expired, or after the time to which such completion may have been extended has expired, or the making of any payment to the **Contractor** after such time, shall in no way operate as a waiver on the part of the **City** of any of its rights under this **Contract**.

13.8 Application for Extension of Time:

13.8.1 Before the **Contractor's** time extension request will be considered, the **Contractor** shall notify the **ACCO** of the condition which allegedly has caused or is causing the delay, and shall submit a written application to the **ACCO** identifying:

13.8.1(a) The **Contractor**; the registration number; and **Project** description;

13.8.1(b) Liquidated damage assessment rate, as specified in the **Contract**;

13.8.1(c) Original total bid price;

13.8.1(d) The original **Contract** start date and completion date;

13.8.1(e) Any previous time extensions granted (number and duration); and

13.8.1(f) The extension of time requested.

13.8.2 In addition, the application for extension of time shall set forth in detail:

13.8.2(a) The nature of each alleged cause of delay in completing the **Work**;

13.8.2(b) The date upon which each such cause of delay began and ended and the number of **Days** attributable to each such cause;

13.8.2(c) A statement that the **Contractor** waives all claims except for those delineated in the application, and the particulars of any claims which the **Contractor** does not agree to waive. For time extensions for **Substantial Completion** and final completion payments, the application shall include a detailed statement of the dollar amounts of each element of claim item reserved; and

13.8.2(d) A statement indicating the **Contractor's** understanding that the time extension is granted only for purposes of permitting continuation of **Contract** performance and payment for **Work** performed and that the **City** retains its right to conduct an investigation and assess liquidated damages as appropriate in the future.

13.9 Analysis and Approval of Time Extensions:

13.9.1 For time extensions for partial payments, a written determination shall be made by the ACCO who may, for good and sufficient cause, extend the time for the performance of the Contract as follows:

13.9.1(a) If the Work is to be completed within six (6) months, the time for performance may be extended for sixty (60) Days;

13.9.1(b) If the Work is to be completed within less than one (1) year but more than six (6) months, an extension of ninety (90) Days may be granted;

13.9.1(c) If the Contract period exceeds one (1) year, besides the extension granted in Article 13.9.1(b), an additional thirty (30) Days may be granted for each multiple of six (6) months involved beyond the one (1) year period; or

13.9.1(d) If exceptional circumstances exist, the ACCO may extend the time for performance beyond the extensions in Articles 13.9.1(a), 13.9.1(b), and 13.9.1(c). In that event, the ACCO shall file with the Mayor's Office of Contract Services a written explanation of the exceptional circumstances.

13.9.2 For extensions of time for Substantial Completion and final completion payments, the Engineer, in consultation with the ACCO, shall prepare a written analysis of the delay (including a preliminary determination of the causes of delay, the beginning and end dates for each such cause of delay, and whether the delays are excusable under the terms of this Contract). The report shall be subject to review by and approval of the Board, which shall have authority to question its analysis and determinations and request additional facts or documentation. The report as reviewed and made final by the Board shall be made a part of the Agency contract file. Neither the report itself nor anything contained therein shall operate as a waiver or release of any claim the City may have against the Contractor for either actual or liquidated damages.

13.9.3 Approval Mechanism for Time Extensions for Substantial Completion or Final Completion Payments: An extension shall be granted only with the approval of the Board which is comprised of the ACCO of the Agency, the City Corporation Counsel, and the Comptroller, or their authorized representatives.

13.9.4 Neither the granting of any application for an extension of time to the Contractor or any Other Contractor on this Project nor the papers, records or reports related to any application for or grant of an extension of time or determination related thereto shall be referred to or offered in evidence by the Contractor or its attorneys in any action or proceeding.

13.10 No Damage for Delay: The Contractor agrees to make no claim for damages for delay in the performance of this Contract occasioned by any act or omission to act of the City or any of its representatives, except as provided for in Article 11.

ARTICLE 14. COMPLETION AND FINAL ACCEPTANCE OF THE WORK

14.1 Date for Substantial Completion: The Contractor shall substantially complete the Work within the time fixed in Schedule A of the General Conditions, or within the time to which such Substantial Completion may be extended.

14.2 **Determining the Date of Substantial Completion:** The **Work** will be deemed to be substantially complete when the two conditions set forth below have been met.

14.2.1 **Inspection:** The **Engineer** or **Resident Engineer**, as applicable, has inspected the **Work** and has made a written determination that it is substantially complete.

14.2.2 **Approval of Final Approved Punch List and Date for Final Acceptance:** Following inspection of the **Work**, the **Engineer/Resident Engineer** shall furnish the **Contractor** with a final punch list, specifying all items of **Work** to be completed and proposing dates for the completion of each specified item of **Work**. The **Contractor** shall then submit in writing to the **Engineer/Resident Engineer** within ten (10) **Days** of the **Engineer/Resident Engineer** furnishing the final punch list either acceptance of the dates or proposed alternative dates for the completion of each specified item of **Work**. If the **Contractor** neither accepts the dates nor proposes alternative dates within ten (10) **Days**, the schedule proposed by the **Engineer/Resident Engineer** shall be deemed accepted. If the **Contractor** proposes alternative dates, then, within a reasonable time after receipt, the **Engineer/Resident Engineer**, in a written notification to the **Contractor**, shall approve the **Contractor's** completion dates or, if they are unable to agree, the **Engineer/Resident Engineer** shall establish dates for the completion of each item of **Work**. The latest completion date specified shall be the date for **Final Acceptance** of the **Work**.

14.3 **Date of Substantial Completion.** The date of approval of the **Final Approved Punch List**, shall be the date of **Substantial Completion**. The date of approval of the **Final Approved Punch List** shall be either (a) if the **Contractor** approves the final punch list and proposed dates for completion furnished by the **Engineer/Resident Engineer**, the date of the **Contractor's** approval; or (b) if the **Contractor** neither accepts the dates nor proposes alternative dates, ten (10) **Days** after the **Engineer/Resident Engineer** furnishes the **Contractor** with a final punch list and proposed dates for completion; or (c) if the **Contractor** proposes alternative dates, the date that the **Engineer/Resident Engineer** sends written notification to the **Contractor** either approving the **Contractor's** proposed alternative dates or establishing dates for the completion for each item of **Work**.

14.4 **Determining the Date of Final Acceptance:** The **Work** will be accepted as final and complete as of the date of the **Engineer's/Resident Engineer's** inspection if, upon such inspection, the **Engineer/Resident Engineer** finds that all items on the **Final Approved Punch List** are complete and no further **Work** remains to be done. The **Commissioner** will then issue a written determination of **Final Acceptance**.

14.5 **Request for Inspection:** Inspection of the **Work** by the **Engineer/Resident Engineer** for the purpose of **Substantial Completion** or **Final Acceptance** shall be made within fourteen (14) **Days** after receipt of the **Contractor's** written request therefor.

14.6 **Request for Re-inspection:** If upon inspection for the purpose of **Substantial Completion** or **Final Acceptance**, the **Engineer/Resident Engineer** determines that there are items of **Work** still to be performed, the **Contractor** shall promptly perform them and then request a re-inspection. If upon re-inspection, the **Engineer/Resident Engineer** determines that the **Work** is substantially complete or finally accepted, the date of such re-inspection shall be the date of **Substantial Completion** or **Final Acceptance**. Re-inspection by the **Engineer/Resident Engineer** shall be made within ten (10) **Days** after receipt of the **Contractor's** written request therefor.

14.7 Initiation of Inspection by the **Engineer/Resident Engineer**: If the **Contractor** does not request inspection or re-inspection of the **Work** for the purpose of **Substantial Completion** or **Final Acceptance**, the **Engineer/Resident Engineer** may initiate such inspection or re-inspection.

ARTICLE 15. LIQUIDATED DAMAGES

15.1 In the event the **Contractor** fails to substantially complete the **Work** within the time fixed for such **Substantial Completion** in Schedule A of the General Conditions, plus authorized time extensions, or if the **Contractor**, in the sole determination of the **Commissioner**, has abandoned the **Work**, the **Contractor** shall pay to the **City** the sum fixed in Schedule A of the General Conditions, for each and every **Day** that the time consumed in substantially completing the **Work** exceeds the time allowed therefor; which said sum, in view of the difficulty of accurately ascertaining the loss which the **City** will suffer by reason of delay in the **Substantial Completion** of the **Work** hereunder, is hereby fixed and agreed as the liquidated damages that the **City** will suffer by reason of such delay, and not as a penalty. This Article 15 shall also apply to the **Contractor** whether or not the **Contractor** is defaulted pursuant to Chapter X of this **Contract**. Neither the failure to assess liquidated damages nor the granting of any time extension shall operate as a waiver or release of any claim the **City** may have against the **Contractor** for either actual or liquidated damages.

15.2 Liquidated damages received hereunder are not intended to be nor shall they be treated as either a partial or full waiver or discharge of the **City's** right to indemnification, or the **Contractor's** obligation to indemnify the **City**, or to any other remedy provided for in this **Contract** or by **Law**.

15.3 The **Commissioner** may deduct and retain out of the monies which may become due hereunder, the amount of any such liquidated damages; and in case the amount which may become due hereunder shall be less than the amount of liquidated damages suffered by the **City**, the **Contractor** shall be liable to pay the difference.

ARTICLE 16. OCCUPATION OR USE PRIOR TO COMPLETION

16.1 Unless otherwise provided for in the **Specifications**, the **Commissioner** may take over, use, occupy or operate any part of the **Work** at any time prior to **Final Acceptance**, upon written notification to the **Contractor**. The **Engineer** or **Resident Engineer**, as applicable, shall inspect the part of the **Work** to be taken over, used, occupied, or operated, and will furnish the **Contractor** with a written statement of the **Work**, if any, which remains to be performed on such part. The **Contractor** shall not object to, nor interfere with, the **Commissioner's** decision to exercise the rights granted by Article 16. In the event the **Commissioner** takes over, uses, occupies, or operates any part of the **Work**:

16.1.1 the **Engineer/Resident Engineer** shall issue a written determination of **Substantial Completion** with respect to such part of the **Work**;

16.1.2 the **Contractor** shall be relieved of its absolute obligation to protect such part of the unfinished **Work** in accordance with Article 7;

16.1.3 the **Contractor's** guarantee on such part of the **Work** shall begin on the date of such use by the **City**; and;

16.1.4 the **Contractor** shall be entitled to a return of so much of the amount retained in accordance with Article 21 as it relates to such part of the **Work**, except so much thereof as may be retained under Articles 24 and 44.

CHAPTER IV: SUBCONTRACTS AND ASSIGNMENTS

ARTICLE 17. SUBCONTRACTS

17.1 The **Contractor** shall not make subcontracts totaling an amount more than the percentage of the total **Contract** price fixed in Schedule A of the General Conditions, without prior written permission from the **Commissioner**. All subcontracts made by the **Contractor** shall be in writing. No **Work** may be performed by a **Subcontractor** prior to the **Contractor** entering into a written subcontract with the **Subcontractor** and complying with the provisions of this Article 17.

17.2 Before making any subcontracts, the **Contractor** shall submit a written statement to the **Commissioner** giving the name and address of the proposed **Subcontractor**; the portion of the **Work** and materials which it is to perform and furnish; the cost of the subcontract; the VENDEX questionnaire if required; the proposed subcontract if requested by the **Commissioner**; and any other information tending to prove that the proposed **Subcontractor** has the necessary facilities, skill, integrity, past experience, and financial resources to perform the **Work** in accordance with the terms and conditions of this **Contract**.

17.3 In addition to the requirements in Article 17.2, **Contractor** is required to list the **Subcontractor** in the web based Subcontractor Reporting System through the City's Payee Information Portal (PIP), available at www.nyc.gov/pip.¹ For each **Subcontractor** listed, **Contractor** is required to provide the following information: maximum contract value, description of **Subcontractor's** Work, start and end date of the subcontract and identification of the **Subcontractor's** industry. Thereafter, **Contractor** will be required to report in the system the payments made to each **Subcontractor** within 30 days of making the payment. If any of the required information changes throughout the Term of the **Contract**, **Contractor** will be required to revise the information in the system.

Failure of the **Contractor** to list a **Subcontractor** and/or to report **Subcontractor** payments in a timely fashion may result in the **Commissioner** declaring the **Contractor** in default of the **Contract** and will subject **Contractor** to liquidated damages in the amount of \$100 per day for each day that the **Contractor** fails to identify a **Subcontractor** along with the required information about the **Subcontractor** and/or fails to report payments to a **Subcontractor**, beyond the time frames set forth herein or in the notice from the **City**. Article 15 shall govern the issue of liquidated damages.

17.4 If an approved **Subcontractor** elects to subcontract any portion of its subcontract, the proposed sub-subcontract shall be submitted in the same manner as directed above.

17.5 The **Commissioner** will notify the **Contractor** in writing whether the proposed **Subcontractor** is approved. If the proposed **Subcontractor** is not approved, the **Contractor** may submit another proposed **Subcontractor** unless the **Contractor** decides to do the **Work**. No **Subcontractor** shall be permitted to enter or perform any work on the **Site** unless approved.

17.6 Before entering into any subcontract hereunder, the **Contractor** shall provide the proposed **Subcontractor** with a complete copy of this document and inform the proposed **Subcontractor** fully and completely of all provisions and requirements of this **Contract** relating either directly or indirectly to the **Work** to be performed and the materials to be furnished under such subcontract, and every such

¹ In order to use the new system, a PIP account will be required. Detailed instructions on creating a PIP account and using the new system are also available at www.nyc.gov/pip. Additional assistance with PIP may be obtained by emailing the Financial Information Services Agency Help Desk at pip@fisa.nyc.gov.

Subcontractor shall expressly stipulate that all labor performed and materials furnished by the **Subcontractor** shall strictly comply with the requirements of this **Contract**.

17.7 Documents given to a prospective **Subcontractor** for the purpose of soliciting the **Subcontractor's** bid shall include either a copy of the bid cover or a separate information sheet setting forth the **Project** name, the **Contract** number (if available), the **Agency** (as noted in Article 2.1.6), and the **Project's** location.

17.8 The **Commissioner's** approval of a **Subcontractor** shall not relieve the **Contractor** of any of its responsibilities, duties, and liabilities hereunder. The **Contractor** shall be solely responsible to the **City** for the acts or defaults of its **Subcontractor** and of such **Subcontractor's** officers, agents, and employees, each of whom shall, for this purpose, be deemed to be the agent or employee of the **Contractor** to the extent of its subcontract.

17.9 If the **Subcontractor** fails to maintain the necessary facilities, skill, integrity, past experience, and financial resources (other than due to the **Contractor's** failure to make payments where required) to perform the **Work** in accordance with the terms and conditions of this **Contract**, the **Contractor** shall promptly notify the **Commissioner** and replace such **Subcontractor** with a newly approved **Subcontractor** in accordance with this Article 17.

17.10 The **Contractor** shall be responsible for ensuring that all **Subcontractors** performing **Work** at the **Site** maintain all insurance required by **Law**.

17.11 The **Contractor** shall promptly, upon request, file with the **Engineer** a conformed copy of the subcontract and its cost. The subcontract shall provide the following:

17.11.1 **Payment to Subcontractors:** The agreement between the **Contractor** and its **Subcontractor** shall contain the same terms and conditions as to method of payment for **Work**, labor, and materials, and as to retained percentages, as are contained in this **Contract**.

17.11.2 **Prevailing Rate of Wages:** The agreement between the **Contractor** and its **Subcontractor** shall include the prevailing wage rates and supplemental benefits to be paid in accordance with Labor Law Section 220.

17.11.3 **Section 6-123 of the Administrative Code:** Pursuant to the requirements of Section 6-123 of the Administrative Code, every agreement between the **Contractor** and a **Subcontractor** in excess of fifty thousand (\$50,000) dollars shall include a provision that the **Subcontractor** shall not engage in any unlawful discriminatory practice as defined in Title VIII of the Administrative Code (Section 8-101 *et seq.*).

17.11.4 All requirements required pursuant to federal and/or state grant agreement(s), if applicable to the **Work**.

17.12 The **Commissioner** may deduct from the amounts certified under this **Contract** to be due to the **Contractor**, the sum or sums due and owing from the **Contractor** to the **Subcontractors** according to the terms of the said subcontracts, and in case of dispute between the **Contractor** and its **Subcontractor**, or **Subcontractors**, as to the amount due and owing, the **Commissioner** may deduct and withhold from the amounts certified under this **Contract** to be due to the **Contractor** such sum or sums as may be claimed by such **Subcontractor**, or **Subcontractors**, in a sworn affidavit, to be due and owing until such time as such claim or claims shall have been finally resolved.

17.13 On contracts where performance bonds and payment bonds are executed, the **Contractor** shall include on each requisition for payment the following data: **Subcontractor's** name, value of the subcontract, total amount previously paid to **Subcontractor** for **Work** previously requisitioned, and the amount, including retainage, to be paid to the **Subcontractor** for **Work** included in the requisition.

17.14 On **Contracts** where performance bonds and payment bonds are not executed, the **Contractor** shall include with each requisition for payment submitted hereunder, a signed statement from each and every **Subcontractor** and/or **Materialman** for whom payment is requested in such requisition. Such signed statement shall be on the letterhead of the **Subcontractor** and/or **Materialman** for whom payment is requested and shall (i) verify that such **Subcontractor** and/or **Materialman** has been paid in full for all **Work** performed and/or material supplied to date, exclusive of any amount retained and any amount included on the current requisition, and (ii) state the total amount of retainage to date, exclusive of any amount retained on the current requisition.

ARTICLE 18. ASSIGNMENTS

18.1 The **Contractor** shall not assign, transfer, convey or otherwise dispose of this **Contract**, or the right to execute it, or the right, title or interest in or to it or any part thereof, or assign, by power of attorney or otherwise any of the monies due or to become due under this **Contract**, unless the previous written consent of the **Commissioner** shall first be obtained thereto, and the giving of any such consent to a particular assignment shall not dispense with the necessity of such consent to any further or other assignments.

18.2 Such assignment, transfer, conveyance or other disposition of this **Contract** shall not be valid until filed in the office of the **Commissioner** and the **Comptroller**, with the written consent of the **Commissioner** endorsed thereon or attached thereto.

18.3 Failure to obtain the previous written consent of the **Commissioner** to such an assignment, transfer, conveyance or other disposition, may result in the revocation and annulment of this **Contract**. The **City** shall thereupon be relieved and discharged from any further liability to the **Contractor**, its assignees, transferees or sublessees, who shall forfeit and lose all monies therefor earned under the **Contract**, except so much as may be required to pay the **Contractor's** employees.

18.4 The provisions of this clause shall not hinder, prevent, or affect an assignment by the **Contractor** for the benefit of its creditors made pursuant to the **Laws** of the State of New York.

18.5 This **Contract** may be assigned by the **City** to any corporation, agency or instrumentality having authority to accept such assignment.

CHAPTER V: CONTRACTOR'S SECURITY AND GUARANTEE

ARTICLE 19. SECURITY DEPOSIT

19.1 If performance and payment bonds are required, the **City** shall retain the bid security to ensure that the successful bidder executes the **Contract** and furnishes the required payment and performance security within ten (10) **Days** after notice of the award of the **Contract**. If the successful bidder fails to execute the **Contract** and furnish the required payment and performance security, the **City** shall retain such bid security as set forth in the Information for Bidders. If the successful bidder executes the

Contract and furnishes the required payment and performance security, the **City** shall return the bid security within a reasonable time after the furnishing of such bonds and execution of the **Contract** by the **City**.

19.2 If performance and payment bonds are not required, the bid security shall be retained by the **City** as security for the **Contractor's** faithful performance of the **Contract**. If partial payments are provided, the bid security will be returned to the **Contractor** after the sum retained under Article 21 equals the amount of the bid security, subject to other provisions of this **Contract**. If partial payments are not provided, the bid security will be released when final payment is certified by the **City** for payment.

19.3 If the **Contractor** is declared in default under Article 48 prior to the return of the deposit, or if any claim is made such as referred to in Article 23, the amount of such deposit, or so much thereof as the **Comptroller** may deem necessary, may be retained and then applied by the **Comptroller**:

19.3.1 To compensate the **City** for any expense, loss or damage suffered or incurred by reason of or resulting from such default, including the cost of re-letting and liquidated damages; or

19.3.2 To indemnify the **City** against any and all claims.

ARTICLE 20. PAYMENT GUARANTEE

20.1 On **Contracts** where one hundred (100%) percent performance bonds and payment bonds are executed, this Article 20 does not apply.

20.2 In the event the terms of this **Contract** do not require the **Contractor** to provide a payment bond or where the **Contract** does not require a payment bond for one hundred (100%) percent of the **Contract** price, the **City** shall, in accordance with the terms of this Article 20, guarantee payment of all lawful claims for:

20.2.1 Wages and compensation for labor performed and/or services rendered; and

20.2.2 Materials, equipment, and supplies provided, whether incorporated into the **Work** or not, when demands have been filed with the **City** as provided hereinafter by any person, firm, or corporation which furnished labor, material, equipment, supplies, or any combination thereof, in connection with the **Work** performed hereunder (hereinafter referred to as the "beneficiary") at the direction of the **City** or the **Contractor**.

20.3 The provisions of Article 20.2 are subject to the following limitations and conditions:

20.3.1 If the **Contractor** provides a payment bond for a value that is less than one hundred (100%) percent of the value of the **Contract Work**, the payment bond provided by the **Contractor** shall be primary (and non-contributing) to the payment guarantee provided under this Article 20.

20.3.2 The guarantee is made for the benefit of all beneficiaries as defined in Article 20.2 provided that those beneficiaries strictly adhere to the terms and conditions of Article 20.3.4 and 20.3.5.

20.3.3 Nothing in this Article 20 shall prevent a beneficiary providing labor, services or material for the **Work** from suing the **Contractor** for any amounts due and owing the beneficiary by the **Contractor**.

20.3.4 Every person who has furnished labor or material, to the **Contractor** or to a **Subcontractor** of the **Contractor**, in the prosecution of the **Work** and who has not been paid in full therefor before the expiration of a period of ninety (90) **Days** after the date on which the last of the labor was performed or material was furnished by him/her for which the claim is made, shall have the right to sue on this payment guarantee in his/her own name for the amount, or the balance thereof, unpaid at the time of commencement of the action; provided, however, that a person having a direct contractual relationship with a **Subcontractor** of the **Contractor** but no contractual relationship express or implied with the **Contractor** shall not have a right of action upon the guarantee unless he/she shall have given written notice to the **Contractor** within one hundred twenty (120) **Days** from the date on which the last of the labor was performed or the last of the material was furnished, for which his/her claim is made, stating with substantial accuracy the amount claimed and the name of the party to whom the material was furnished or for whom the labor was performed. The notice shall be served by delivering the same personally to the **Contractor** or by mailing the same by registered mail, postage prepaid, in an envelope addressed to the **Contractor** at any place where it maintains an office or conducts its business; provided, however, that where such notice is actually received by the **Contractor** by other means, such notice shall be deemed sufficient.

20.3.5 Except as provided in Labor Law Section 220-g, no action on this payment guarantee shall be commenced after the expiration of the one-year limitations period set forth in Section 137(4)(b) of the State Finance Law.

20.3.6 The **Contractor** shall promptly forward to the **City** any notice or demand received pursuant to Article 20.3.4. The **Contractor** shall inform the **City** of any defenses to the notice or demand and shall forward to the **City** any documents the **City** requests concerning the notice or demand.

20.3.7 All demands made against the **City** by a beneficiary of this payment guarantee shall be presented to the **Engineer** along with all written documentation concerning the demand which the **Engineer** deems reasonably appropriate or necessary, which may include, but shall not be limited to: the subcontract; any invoices presented to the **Contractor** for payment; the notarized statement of the beneficiary that the demand is due and payable, that a request for payment has been made of the **Contractor** and that the demand has not been paid by the **Contractor** within the time allowed for such payment by the subcontract; and copies of any correspondence between the beneficiary and the **Contractor** concerning such demand. The **City** shall notify the **Contractor** that a demand has been made. The **Contractor** shall inform the **City** of any defenses to the demand and shall forward to the **City** any documents the **City** requests concerning the demand.

20.3.8 The **City** shall make payment only if, after considering all defenses presented by the **Contractor**, it determines that the payment is due and owing to the beneficiary making the demand.

20.3.9 No beneficiary shall be entitled to interest from the **City**, or to any other costs, including, but not limited to, attorneys' fees, except to the extent required by State Finance Law Section 137.

20.4 Upon the receipt by the **City** of a demand pursuant to this Article 20, the **City** may withhold from any payment otherwise due and owing to the **Contractor** under this **Contract** an amount sufficient to satisfy the demand.

20.4.1 In the event the **City** determines that the demand is valid, the **City** shall notify the **Contractor** of such determination and the amount thereof and direct the **Contractor** to immediately pay such amount to the beneficiary. In the event the **Contractor**, within seven (7) **Days** of receipt of such notification from the **City**, fails to pay the beneficiary, such failure shall constitute an automatic and irrevocable assignment of payment by the **Contractor** to the beneficiary for the amount of the demand determined by the **City** to be valid. The **Contractor**, without further notification or other process, hereby gives its unconditional consent to such assignment of payment to the beneficiary and authorizes the **City**, on its behalf, to take all necessary actions to implement such assignment of payment, including without limitation the execution of any instrument or documentation necessary to effectuate such assignment.

20.4.2 In the event that the amount otherwise due and owing to the **Contractor** by the **City** is insufficient to satisfy such demand, the **City** may, at its option, require payment from the **Contractor** of an amount sufficient to cover such demand and exercise any other right to require or recover payment which the **City** may have under **Law** or **Contract**.

20.4.3 In the event the **City** determines that the demand is invalid, any amount withheld pending the **City's** review of such demand shall be paid to the **Contractor**; provided, however, no lien has been filed. In the event a claim or an action has been filed, the terms and conditions set forth in Article 23 shall apply. In the event a lien has been filed, the parties will be governed by the provisions of the Lien Law of the State of New York.

20.5 The provisions of this Article 20 shall not prevent the **City** and the **Contractor** from resolving disputes in accordance with the **PPB** Rules, where applicable.

20.6 In the event the **City** determines that the beneficiary is entitled to payment pursuant to this Article 20, such determination and any defenses and counterclaims raised by the **Contractor** shall be taken into account in evaluating the **Contractor's** performance.

20.7 Nothing in this Article 20 shall relieve the **Contractor** of the obligation to pay the claims of all persons with valid and lawful claims against the **Contractor** relating to the **Work**.

20.8 The **Contractor** shall not require any performance, payment or other bonds of any **Subcontractor** if this **Contract** does not require such bonds of the **Contractor**.

20.9 The payment guarantee made pursuant to this Article 20 shall be construed in a manner consistent with Section 137 of the State Finance Law and shall afford to persons furnishing labor or materials to the **Contractor** or its **Subcontractors** in the prosecution of the **Work** under this **Contract** all of the rights and remedies afforded to such persons by such section, including but not limited to, the right to commence an action against the **City** on the payment guarantee provided by this Article 20 within the one-year limitations period set forth in Section 137(4)(b).

ARTICLE 21. RETAINED PERCENTAGE

21.1 If this **Contract** requires one hundred (100%) percent performance and payment security, then as further security for the faithful performance of this **Contract**, the **Commissioner** shall deduct, and

retain until the substantial completion of the **Work**, five (5%) percent of the value of **Work** certified for payment in each partial payment voucher.

21.2 If this **Contract** does not require one hundred (100%) percent performance and payment security and if the price for which this **Contract** was awarded does not exceed one million (\$1,000,000) dollars; then as further security for the faithful performance of this **Contract**, the **Commissioner** shall deduct, and retain until the substantial completion of the **Work**, five (5%) percent of the value of **Work** certified for payment in each partial payment voucher.

21.3 If this **Contract** does not require one hundred (100%) percent performance and payment security and if the price for which this **Contract** was awarded exceeds one million (\$1,000,000) dollars, then as further security for the faithful performance of this **Contract**, the **Commissioner** shall deduct, and retain until the substantial completion of the **Work**, up to ten (10%) percent of the value of **Work** certified for payment in each partial payment voucher. The percentage to be retained is set forth in Schedule A of the General Conditions.

ARTICLE 22. INSURANCE

22.1 Types of Insurance: The **Contractor** shall procure and maintain the following types of insurance if, and as indicated, in Schedule A of the General Conditions (with the minimum limits and special conditions specified in Schedule A). Such insurance shall be maintained from the date the **Contractor** is required to provide Proof of Insurance pursuant to Article 22.3.1 through the date of completion of all required **Work** (including punch list work as certified in writing by the **Resident Engineer**), except for insurance required pursuant to Article 22.1.4, which may terminate upon **Substantial Completion** of the **Contract**. All insurance shall meet the requirements set forth in this Article 22. Wherever this Article requires that insurance coverage be "at least as broad" as a specified form (including all ISO forms), there is no obligation that the form itself be used, provided that the **Contractor** can demonstrate that the alternative form or endorsement contained in its policy provides coverage at least as broad as the specified form.

22.1.1 Commercial General Liability Insurance: The **Contractor** shall provide Commercial General Liability Insurance covering claims for property damage and/or bodily injury, including death, which may arise from any of the operations under this **Contract**. Coverage under this insurance shall be at least as broad as that provided by the latest edition of Insurance Services Office ("ISO") Form CG 0001. Such insurance shall be "occurrence" based rather than "claims-made" and include, without limitation, the following types of coverage: premises operations; products and completed operations; contractual liability (including the tort liability of another assumed in a contract); broad form property damage; independent contractors; explosion, collapse and underground (XCU); construction means and methods; and incidental malpractice. Such insurance shall contain a "per project" aggregate limit, as specified in Schedule A, that applies separately to operations under this **Contract**.

22.1.1(a) Such Commercial General Liability Insurance shall name the **City** as an Additional Insured. Coverage for the **City** shall specifically include the **City's** officials and employees, be at least as broad as the latest edition of ISO Form CG 20 10 and provide completed operations coverage at least as broad as the latest edition of ISO Form CG 20 37.

22.1.1(b) Such Commercial General Liability Insurance shall name all other entities designated as additional insureds in Schedule A but only for claims arising from the

Contractor's operations under this **Contract**, with coverage at least as broad as the latest edition of ISO Form CG 20 26.

22.1.1(c) If the **Work** requires a permit from the Department of Buildings pursuant to 1 RCNY Section 101-08, the **Contractor** shall provide Commercial General Liability Insurance with limits of at least those required by 1 RCNY section 101-08 or greater limits required by the Agency in accordance with Schedule A. If the **Work** does not require such a permit, the minimum limits shall be those provided for in Schedule A.

22.1.1(d) If any of the **Work** includes repair of a waterborne vessel owned by or to be delivered to the **City**, such Commercial General Liability shall include, or be endorsed to include, Ship Repairer's Legal Liability Coverage to protect against, without limitation, liability arising from navigation of such vessels prior to delivery to and acceptance by the **City**.

22.1.2 Workers' Compensation Insurance, Employers' Liability Insurance, and Disability Benefits Insurance: The **Contractor** shall provide, and shall cause its **Subcontractors** to provide, Workers Compensation Insurance, Employers' Liability Insurance, and Disability Benefits Insurance in accordance with the **Laws** of the State of New York on behalf of all employees providing services under this **Contract** (except for those employees, if any, for which the **Laws** require insurance only pursuant to Article 22.1.3).

22.1.3 United States Longshoremen's and Harbor Workers Act and/or Jones Act Insurance: If specified in Schedule A of the General Conditions or if required by **Law**, the **Contractor** shall provide insurance in accordance with the United States Longshoremen's and Harbor Workers Act and/or the Jones Act, on behalf of all qualifying employees providing services under this **Contract**.

22.1.4 Builders Risk Insurance: If specified in Schedule A of the General Conditions, the **Contractor** shall provide Builders Risk Insurance on a completed value form for the total value of the **Work** through **Substantial Completion** of the **Work** in its entirety. Such insurance shall be provided on an All Risk basis and include coverage, without limitation, for windstorm (including named windstorm), storm surge, flood and earth movement. Unless waived by the **Commissioner**, it shall include coverage for ordinance and law, demolition and increased costs of construction, debris removal, pollutant clean up and removal, and expediting costs. Such insurance shall cover, without limitation, (a) all buildings and/or structures involved in the **Work**, as well as temporary structures at the **Site**, and (b) any property that is intended to become a permanent part of such building or structure, whether such property is on the **Site**, in transit or in temporary storage. Policies shall name the **Contractor** as Named Insured and list the **City** as both an Additional Insured and a Loss Payee as its interest may appear.

22.1.4(a) Policies of such insurance shall specify that, in the event a loss occurs at an occupied facility, occupancy of such facility is permitted without the consent of the issuing insurance company.

22.1.4(b) Such insurance may be provided through an Installation Floater, at the **Contractor's** option, if it otherwise conforms with the requirements of this Article 22.1.4.

22.1.5 Commercial Automobile Liability Insurance: The **Contractor** shall provide Commercial Automobile Liability Insurance for liability arising out of ownership,

maintenance or use of any owned (if any), non-owned and hired vehicles to be used in connection with this **Contract**. Coverage shall be at least as broad as the latest edition of ISO Form CA0001. If vehicles are used for transporting hazardous materials, the Automobile Liability Insurance shall be endorsed to provide pollution liability broadened coverage for covered vehicles (endorsement CA 99 48) as well as proof of MCS 90.

22.1.6 **Contractors Pollution Liability Insurance:** If specified in Schedule A of the General Conditions, the **Contractor** shall maintain, or cause the **Subcontractor** doing such **Work** to maintain, Contractors Pollution Liability Insurance covering bodily injury and property damage. Such insurance shall provide coverage for actual, alleged or threatened emission, discharge, dispersal, seepage, release or escape of pollutants (including asbestos), including any loss, cost or expense incurred as a result of any cleanup of pollutants (including asbestos) or in the investigation, settlement or defense of any claim, action, or proceedings arising from the operations under this **Contract**. Such insurance shall be in the **Contractor's** name and list the **City** as an Additional Insured and any other entity specified in Schedule A. Coverage shall include, without limitation, (a) loss of use of damaged property or of property that has not been physically injured, (b) transportation, and (c) non-owned disposal sites.

22.1.6(a) Coverage for the **City** as Additional Insured shall specifically include the **City's** officials and employees and be at least as broad as provided to the **Contractor** for this **Project**.

22.1.6(b) If such insurance is written on a claims-made policy, such policy shall have a retroactive date on or before the effective date of this **Contract**, and continuous coverage shall be maintained, or an extended discovery period exercised, for a period of not less than three (3) years from the time the **Work** under this **Contract** is completed.

22.1.7 **Marine Insurance:**

22.1.7(a) **Marine Protection and Indemnity Insurance:** If specified in Schedule A of the General Conditions or if the **Contractor** engages in marine operations in the execution of any part of the **Work**, the **Contractor** shall maintain, or cause the **Subcontractor** doing such **Work** to maintain, Marine Protection and Indemnity Insurance with coverage at least as broad as Form SP-23. The insurance shall provide coverage for the **Contractor** or **Subcontractor** (whichever is doing this **Work**) and for the **City** (together with its officials and employees) and any other entity specified in Schedule A as an Additional Insured for bodily injury and property damage arising from marine operations under this **Contract**. Coverage shall include, without limitation, injury or death of crew members (if not fully provided through other insurance), removal of wreck, damage to piers, wharves and other fixed or floating objects and loss of or damage to any other vessel or craft, or to property on such other vessel or craft.

22.1.7(b) **Hull and Machinery Insurance:** If specified in Schedule A of the General Conditions or if the **Contractor** engages in marine operations in the execution of any part of the **Work**, the **Contractor** shall maintain, or cause the **Subcontractor** doing such **Work** to maintain, Hull and Machinery Insurance with coverage for the **Contractor** or **Subcontractor** (whichever is doing this **Work**) and for the **City** (together with its officials and employees) as Additional Insured at least as broad as the latest edition of American Institute Tug Form for all tugs used under this

Contract and Collision Liability at least as broad as the latest edition of American Institute Hull Clauses.

22.1.7(c) Marine Pollution Liability Insurance: If specified in Schedule A of the General Conditions or if the **Contractor** engages in marine operations in the execution of any part of the **Work**, the **Contractor** shall maintain, or cause the **Subcontractor** doing such Work to maintain, Marine Pollution Liability Insurance covering itself (or the Subcontractor doing such Work) as Named Insured and the **City** (together with its officials and employees) and any other entity specified in Schedule A as an Additional Insured. Coverage shall be at least as broad as that provided by the latest edition of Water Quality Insurance Syndicate Form and include, without limitation, liability arising from the discharge or substantial threat of a discharge of oil, or from the release or threatened release of a hazardous substance including injury to, or economic losses resulting from, the destruction of or damage to real property, personal property or natural resources.

22.1.8 The **Contractor** shall provide such other types of insurance, at such minimum limits and with such conditions, as are specified in Schedule A of the General Conditions.

22.2 General Requirements for Insurance Coverage and Policies:

22.2.1 All required insurance policies shall be maintained with companies that may lawfully issue the required policy and have an A.M. Best rating of at least A-/VII or a Standard and Poor's rating of at least A, unless prior written approval is obtained from the **City Corporation Counsel**.

22.2.2 The **Contractor** shall be solely responsible for the payment of all premiums for all required policies and all deductibles and self-insured retentions to which such policies are subject, whether or not the **City** is an insured under the policy.

22.2.3 In his/her sole discretion, the **Commissioner** may, subject to the approval of the **Comptroller** and the **City Corporation Counsel**, accept Letters of Credit and/or custodial accounts in lieu of required insurance.

22.2.4 The **City's** limits of coverage for all types of insurance required pursuant to Schedule A of the General Conditions shall be the greater of (i) the minimum limits set forth in Schedule A or (ii) the limits provided to the **Contractor** as Named Insured under all primary, excess, and umbrella policies of that type of coverage.

22.2.5 The **Contractor** may satisfy its insurance obligations under this Article 22 through primary policies or a combination of primary and excess/umbrella policies, so long as all policies provide the scope of coverage required herein.

22.2.6 Policies of insurance provided pursuant to this Article 22 shall be primary and non-contributing to any insurance or self-insurance maintained by the **City**.

22.3 Proof of Insurance:

22.3.1 For all types of insurance required by Article 22.1 and Schedule A, except for insurance required by Articles 22.1.4 and 22.1.7, the **Contractor** shall file proof of insurance in accordance with this Article 22.3 within ten (10) **Days** of award. For insurance

provided pursuant to Articles 22.1.4 and 22.1.7, proof shall be filed by a date specified by the **Commissioner** or ten (10) **Days** prior to the commencement of the portion of the **Work** covered by such policy, whichever is earlier.

22.3.2 For Workers' Compensation Insurance provided pursuant to Article 22.1.2, the **Contractor** shall submit one of the following forms: C-105.2 Certificate of Workers' Compensation Insurance; U-26.3 - State Insurance Fund Certificate of Workers' Compensation Insurance; Request for WC/DB Exemption (Form CE-200); equivalent or successor forms used by the New York State Workers' Compensation Board; or other proof of insurance in a form acceptable to the **Commissioner**. For Disability Benefits Insurance provided pursuant to Article 22.1.2, the Contractor shall submit DB-120.1 - Certificate Of Insurance Coverage Under The NYS Disability Benefits Law, Request for WC/DB Exemption (Form CE-200); equivalent or successor forms used by the New York State Workers' Compensation Board; or other proof of insurance in a form acceptable to the **Commissioner**. ACORD forms are not acceptable.

22.3.3 For policies provided pursuant to all of Article 22.1 other than Article 22.1.2, the **Contractor** shall submit one or more Certificates of Insurance on forms acceptable to the **Commissioner**. All such Certificates of Insurance shall certify (a) the issuance and effectiveness of such policies of insurance, each with the specified minimum limits (b) for insurance secured pursuant to Article 22.1.1 that the **City** and any other entity specified in Schedule A is an Additional Insured thereunder; (c) in the event insurance is required pursuant to Article 22.1.6 and/or Article 22.1.7, that the **City** is an Additional Insured thereunder; (d) the company code issued to the insurance company by the National Association of Insurance Commissioners (the NAIC number); and (e) the number assigned to the **Contract** by the **City**. All such Certificates of Insurance shall be accompanied by either a duly executed "Certification by Insurance Broker or Agent" in the form contained in Part III of Schedule A or copies of all policies referenced in such Certificate of Insurance as certified by an authorized representative of the issuing insurance carrier. If any policy is not available at the time of submission, certified binders may be submitted until such time as the policy is available, at which time a certified copy of the policy shall be submitted.

22.3.4 Documentation confirming renewals of insurance shall be submitted to the **Commissioner** prior to the expiration date of coverage of policies required under this **Contract**. Such proofs of insurance shall comply with the requirements of Articles 22.3.2 and 22.3.3.

22.3.5 The **Contractor** shall be obligated to provide the **City** with a copy of any policy of insurance provided pursuant to this Article 22 upon the demand for such policy by the **Commissioner** or the **City** Corporation Counsel.

22.4 Operations of the **Contractor**:

22.4.1 The **Contractor** shall not commence the **Work** unless and until all required certificates have been submitted to and accepted by the **Commissioner**. Acceptance by the **Commissioner** of a certificate does not excuse the **Contractor** from securing insurance consistent with all provisions of this Article 22 or of any liability arising from its failure to do so.

22.4.2 The **Contractor** shall be responsible for providing continuous insurance coverage in the manner, form, and limits required by this **Contract** and shall be authorized to perform **Work** only during the effective period of all required coverage.

22.4.3 In the event that any of the required insurance policies lapse, are revoked, suspended or otherwise terminated, for whatever cause, the **Contractor** shall immediately stop all **Work**, and shall not recommence **Work** until authorized in writing to do so by the **Commissioner**. Upon quitting the **Site**, except as otherwise directed by the **Commissioner**, the **Contractor** shall leave all plant, materials, equipment, tools, and supplies on the **Site**. **Contract** time shall continue to run during such periods and no extensions of time will be granted. The **Commissioner** may also declare the **Contractor** in default for failure to maintain required insurance.

22.4.4 In the event the **Contractor** receives notice, from an insurance company or other person, that any insurance policy required under this Article 22 shall be cancelled or terminated (or has been cancelled or terminated) for any reason, the **Contractor** shall immediately forward a copy of such notice to both the **Commissioner** and the New York City Comptroller, attn: Office of Contract Administration, Municipal Building, One Centre Street, room 1005, New York, New York 10007. Notwithstanding the foregoing, the **Contractor** shall ensure that there is no interruption in any of the insurance coverage required under this Article 22.

22.4.5 Where notice of loss, damage, occurrence, accident, claim or suit is required under an insurance policy maintained in accordance with this Article 22, the **Contractor** shall notify in writing all insurance carriers that issued potentially responsive policies of any such event relating to any operations under this **Contract** (including notice to Commercial General Liability insurance carriers for events relating to the **Contractor's** own employees) no later than 20 days after such event. For any policy where the **City** is an Additional Insured, such notice shall expressly specify that "this notice is being given on behalf of the City of New York as Insured as well as the Named Insured." Such notice shall also contain the following information: the number of the insurance policy, the name of the named insured, the date and location of the damage, occurrence, or accident, and the identity of the persons or things injured, damaged or lost. The **Contractor** shall simultaneously send a copy of such notice to the City of New York c/o Insurance Claims Specialist, Affirmative Litigation Division, New York City Law Department, 100 Church Street, New York, New York 10007.

22.4.6 In the event of any loss, accident, claim, action, or other event that does or can give rise to a claim under any insurance policy required under this Article 22, the **Contractor** shall at all times fully cooperate with the **City** with regard to such potential or actual claim.

22.5 **Subcontractor Insurance:** In the event the **Contractor** requires any **Subcontractor** to procure insurance with regard to any operations under this **Contract** and requires such **Subcontractor** to name the **Contractor** as an **Additional Insured** thereunder, the **Contractor** shall ensure that the **Subcontractor** name the **City**, including its officials and employees, as an **Additional Insured** with coverage at least as broad as the most recent edition of ISO Form CG 20 26.

22.6 Wherever reference is made in Article 7 or this Article 22 to documents to be sent to the **Commissioner** (e.g., notices, filings, or submissions), such documents shall be sent to the address set forth in Schedule A of the General Conditions. In the event no address is set forth in Schedule A, such documents are to be sent to the **Commissioner's** address as provided elsewhere in this **Contract**.

22.7 Apart from damages or losses covered by insurance provided pursuant to Articles 22.1.2, 22.1.3, or 22.1.5, the **Contractor** waives all rights against the **City**, including its officials and employees, for any damages or losses that are covered under any insurance required under this Article 22 (whether or

not such insurance is actually procured or claims are paid thereunder) or any other insurance applicable to the operations of the **Contractor** and/or its employees, agents, or **Subcontractors**.

22.8 In the event the **Contractor** utilizes a self-insurance program to satisfy any of the requirements of this Article 22, the **Contractor** shall ensure that any such self-insurance program provides the **City** with all rights that would be provided by traditional insurance under this Article 22, including but not limited to the defense and indemnification obligations that insurers are required to undertake in liability policies.

22.9 Materiality/Non-Waiver: The **Contractor's** failure to secure policies in complete conformity with this Article 22, or to give an insurance company timely notice of any sort required in this **Contract** or to do anything else required by this Article 22 shall constitute a material breach of this **Contract**. Such breach shall not be waived or otherwise excused by any action or inaction by the **City** at any time.

22.10 Pursuant to General Municipal Law Section 108, this **Contract** shall be void and of no effect unless **Contractor** maintains Workers' Compensation Insurance for the term of this **Contract** to the extent required and in compliance with the New York State Workers' Compensation Law.

22.11 Other Remedies: Insurance coverage provided pursuant to this Article 22 or otherwise shall not relieve the **Contractor** of any liability under this **Contract**, nor shall it preclude the **City** from exercising any rights or taking such other actions available to it under any other provisions of this **Contract** or **Law**.

ARTICLE 23. MONEY RETAINED AGAINST CLAIMS

23.1 If any claim shall be made by any person or entity (including **Other Contractors** with the **City** on this **Project**) against the **City** or against the **Contractor** and the **City** for any of the following:

(a) An alleged loss, damage, injury, theft or vandalism of any of the kinds referred to in Articles 7 and 12, plus the reasonable costs of defending the **City**, which in the opinion of the **Comptroller** may not be paid by an insurance company (for any reason whatsoever); or

(b) An infringement of copyrights, patents or use of patented articles, tools, etc., as referred to in Article 57; or

(c) Damage claimed to have been caused directly or indirectly by the failure of the **Contractor** to perform the **Work** in strict accordance with this **Contract**,

the amount of such claim, or so much thereof as the **Comptroller** may deem necessary, may be withheld by the **Comptroller**, as security against such claim, from any money due hereunder. The **Comptroller**, in his/her discretion, may permit the **Contractor** to substitute other satisfactory security in lieu of the monies so withheld.

23.2 If an action on such claim is timely commenced and the liability of the **City**, or the **Contractor**, or both, shall have been established therein by a final judgment of a court of competent jurisdiction, or if such claim shall have been admitted by the **Contractor** to be valid, the **Comptroller** shall pay such judgment or admitted claim out of the monies retained by the **Comptroller** under the provisions of this Article 23, and return the balance, if any, without interest, to the **Contractor**.

ARTICLE 24. MAINTENANCE AND GUARANTY

24.1 The **Contractor** shall promptly repair, replace, restore or rebuild, as the **Commissioner** may determine, any finished **Work** in which defects of materials or workmanship may appear or to which damage may occur because of such defects, during the one (1) year period subsequent to the date of **Substantial Completion** (or use and occupancy in accordance with Article 16), except where other periods of maintenance and guaranty are provided for in Schedule A.

24.2 As security for the faithful performance of its obligations hereunder, the **Contractor**, upon filing its requisition for payment on **Substantial Completion**, shall deposit with the **Commissioner** a sum equal to one (1%) percent of the price (or the amount fixed in Schedule A of the General Conditions) in cash or certified check upon a state or national bank and trust company or a check of such bank and trust company signed by a duly authorized officer thereof and drawn to the order of the **Comptroller**, or obligations of the **City**, which the **Comptroller** may approve as of equal value with the sum so required.

24.3 In lieu of the above, the **Contractor** may make such security payment to the **City** by authorizing the **Commissioner** in writing to deduct the amount from the **Substantial Completion** payment which shall be deemed the deposit required above.

24.4 If the **Contractor** has faithfully performed all of its obligations hereunder the **Commissioner** shall so certify to the **Comptroller** within five (5) **Days** after the expiration of one (1) year from the date of **Substantial Completion** and acceptance of the **Work** or within thirty (30) **Days** after the expiration of the guarantee period fixed in the **Specifications**. The security payment shall be repaid to the **Contractor** without interest within thirty (30) **Days** after certification by the **Commissioner** to the **Comptroller** that the **Contractor** has faithfully performed all of its obligations hereunder.

24.5 Notice by the **Commissioner** to the **Contractor** to repair, replace, rebuild or restore such defective or damaged **Work** shall be timely, pursuant to this article, if given not later than ten (10) **Days** subsequent to the expiration of the one (1) year period or other periods provided for herein.

24.6 If the **Contractor** shall fail to repair, replace, rebuild or restore such defective or damaged **Work** promptly after receiving such notice, the **Commissioner** shall have the right to have the **Work** done by others in the same manner as provided for in the completion of a defaulted **Contract**, under Article 51.

24.7 If the security payment so deposited is insufficient to cover the cost of such **Work**, the **Contractor** shall be liable to pay such deficiency on demand by the **Commissioner**.

24.8 The **Engineer's** certificate setting forth the fair and reasonable cost of repairing, replacing, rebuilding or restoring any damaged or defective **Work** when performed by one other than the **Contractor**, shall be binding and conclusive upon the **Contractor** as to the amount thereof.

24.9 The **Contractor** shall obtain all manufacturers' warranties and guaranties of all equipment and materials required by this **Contract** in the name of the **City** and shall deliver same to the **Commissioner**. All of the **City's** rights and title and interest in and to said manufacturers' warranties and guaranties may be assigned by the **City** to any subsequent purchasers of such equipment and materials or lessees of the premises into which the equipment and materials have been installed.

CHAPTER VI: CHANGES, EXTRA WORK, AND DOCUMENTATION OF CLAIM

ARTICLE 25. CHANGES

25.1 Changes may be made to this **Contract** only as duly authorized in writing by the **Commissioner** in accordance with the **Law** and this **Contract**. All such changes, modifications, and amendments will become a part of the **Contract**. **Work** so ordered shall be performed by the **Contractor**.

25.2 **Contract** changes will be made only for **Work** necessary to complete the **Work** included in the original scope of the **Contract** and/or for non-material changes to the scope of the **Contract**. Changes are not permitted for any material alteration in the scope of **Work** in the **Contract**.

25.3 The **Contractor** shall be entitled to a price adjustment for **Extra Work** performed pursuant to a written change order. Adjustments to price shall be computed in one or more of the following ways:

25.3.1 By applicable unit prices specified in the **Contract**; and/or

25.3.2 By agreement of a fixed price; and/or

25.3.3 By time and material records; and/or

25.3.4 In any other manner approved by the **CCPO**.

25.4 All payments for change orders are subject to pre-audit by the **Engineering Audit Officer** and may be post-audited by the **Comptroller** and/or the **Agency**.

ARTICLE 26. METHODS OF PAYMENT FOR OVERRUNS AND EXTRA WORK

26.1 **Overrun of Unit Price Item:** An overrun is any quantity of a unit price item which the **Contractor** is directed to provide which is in excess of one hundred twenty-five (125%) percent of the estimated quantity for that item set forth in the bid schedule.

26.1.1 For any unit price item, the **Contractor** will be paid at the unit price bid for any quantity up to one hundred twenty-five (125%) percent of the estimated quantity for that item set forth in the bid schedule. If during the progress of the **Work**, the actual quantity of any unit price item required to complete the **Work** approaches the estimated quantity for that item, and for any reason it appears that the actual quantity of any unit price item necessary to complete the **Work** will exceed the estimated quantity for that item by twenty-five (25%) percent, the **Contractor** shall immediately notify the **Engineer** of such anticipated overrun. The **Contractor** shall not be compensated for any quantity of a unit price item provided which is in excess of one hundred twenty-five (125%) percent of the estimated quantity for that item set forth in the bid schedule without written authorization from the **Engineer**.

26.1.2 If the actual quantity of any unit price item necessary to complete the **Work** will exceed one hundred twenty five (125%) percent of the estimated quantity for that item set forth in the bid schedule, the **City** reserves the right and the **Contractor** agrees to negotiate a new unit price for such item. In no event shall such negotiated new unit price exceed the unit bid price. If the **City** and **Contractor** cannot agree on a new unit price, then the **City** shall order the **Contractor** and the **Contractor** agrees to provide additional quantities of

the item on the basis of time and material records for the actual and reasonable cost as determined under Article 26.2, but in no event at a unit price exceeding the unit price bid.

26.2 **Extra Work:** For **Extra Work** where payment is by agreement on a fixed price in accordance with Article 25.3.2, the price to be paid for such **Extra Work** shall be based on the fair and reasonable estimated cost of the items set forth below. For **Extra Work** where payment is based on time and material records in accordance with Article 25.3.3, the price to be paid for such **Extra Work** shall be the actual and reasonable cost of the items set forth below, calculated in accordance with the formula specified therein, if any.

26.2.1 Necessary materials (including transportation to the **Site**); plus

26.2.2 Necessary direct labor, including payroll taxes (subject to statutory wage caps) and supplemental benefits; plus

26.2.3 Sales and personal property taxes, if any, required to be paid on materials not incorporated into such **Extra Work**; plus

26.2.4 Reasonable rental value of **Contractor**-owned (or **Subcontractor**-owned, as applicable), necessary plant and equipment other than **Small Tools**, plus fuel/energy costs. Except for fuel costs for pick-up trucks which shall be reimbursed based on a consumption of five (5) gallons per shift, fuel costs shall be reimbursed based on actual costs or, in the absence of auditable documentation, the following fuel consumption formula per operating hour: $(.035) \times (\text{HP rating}) \times (\text{Fuel cost/gallon})$. Reasonable rental value is defined as the lower of either seventy-five percent of the monthly prorated rental rates established in "The AED Green Book, Rental Rates and Specifications for Construction Equipment" published by Equipment Watch (the "Green Book"), or seventy-five percent of the monthly prorated rental rates established in the "Rental Rate Blue Book for Construction Equipment" published by Equipment Watch (the "Blue Book") (the applicable Blue Book rate being for rental only without the addition of any operational costs listed in the Blue Book). The reasonable rental value is deemed to be inclusive of all operating costs except for fuel/energy consumption and equipment operator's wages/costs. For multiple shift utilization, reimbursement shall be calculated as follows: first shift shall be seventy-five (75%) percent of such rental rates; second shift shall be sixty (60%) percent of the first shift rate; and third shift shall be forty (40%) percent of the first shift rate. Equipment on standby shall be reimbursed at one-third (1/3) the prorated monthly rental rate. **Contractor**-owned (or **Subcontractor**-owned, as applicable) equipment includes equipment from rental companies affiliated with or controlled by the **Contractor** (or **Subcontractor**, as applicable), as determined by the **Commissioner**. In establishing cost reimbursement for non-operating **Contractor**-owned (or **Subcontractor**-owned, as applicable) equipment (scaffolding, sheeting systems, road plates, etc.), the **City** may restrict reimbursement to a purchase-salvage/life cycle basis if less than the computed rental costs; plus

26.2.5 Necessary installation and dismantling of such plant and equipment, including transportation to and from the **Site**, if any, provided that, in the case of non-**Contractor**-owned (or non-**Subcontractor**-owned, as applicable) equipment rented from a third party, the cost of installation and dismantling are not allowable if such costs are included in the rental rate; plus

26.2.6 Necessary fees charged by governmental entities; plus

26.2.7 Necessary construction-related service fees charged by non-governmental entities, such as landfill tipping fees; plus

26.2.8 Reasonable rental costs of non-**Contractor**-owned (or non-**Subcontractor**-owned, as applicable) necessary plant and equipment other than **Small Tools**, plus fuel/energy costs. Except for fuel costs for pick-up trucks which shall be reimbursed based on a consumption of five (5) gallons per shift, fuel costs shall be reimbursed based on actual costs or, in the absence of auditable documentation, the following fuel consumption formula per hour of operation: $(.035) \times (\text{HP rating}) \times (\text{Fuel cost/gallon})$. In lieu of renting, the **City** reserves the right to direct the purchase of non-operating equipment (scaffolding, sheeting systems, road plates, etc.), with payment on a purchase-salvage/life cycle basis, if less than the projected rental costs; plus

26.2.9 Workers' Compensation Insurance, and any insurance coverage expressly required by the **City** for the performance of the **Extra Work** which is different than the types of insurance required by Article 22 and Schedule A of the General Conditions. The cost of Workers' Compensation Insurance is subject to applicable payroll limitation caps and shall be based upon the carrier's Manual Rate for such insurance derived from the applicable class Loss Cost ("LC") and carrier's Lost Cost Multiplier ("LCM") approved by the New York State Department of Financial Services, and with the exception of experience rating, rate modifiers as promulgated by the New York Compensation Insurance Rating Board ("NYCIRB"); plus

26.2.10 Additional costs incurred as a result of the **Extra Work** for performance and payment bonds; plus

26.2.11 Twelve percent (12%) percent of the total of items in Articles 26.2.1 through 26.2.5 as compensation for overhead, except that no percentage for overhead will be allowed on **Payroll Taxes** or on the premium portion of overtime pay or on sales and personal property taxes. Overhead shall include without limitation, all costs and expenses in connection with administration, management superintendence, small tools, and insurance required by Schedule A of the General Conditions other than Workers' Compensation Insurance; plus

26.2.12 Ten (10%) percent of the total of items in Articles 26.2.1 through 26.2.5, plus the items in Article 26.2.11, as compensation for profit, except that no percentage for profit will be allowed on **Payroll Taxes** or on the premium portion of overtime pay or on sales and personal property taxes; plus

26.2.13 Five (5%) percent of the total of items in Articles 26.2.6 through 26.2.10 as compensation for overhead and profit.

26.3 Where the **Extra Work** is performed in whole or in part by other than the **Contractor's** own forces pursuant to Article 26.2, the **Contractor** shall be paid, subject to pre-audit by the **Engineering Audit Officer**, the cost of such **Work** computed in accordance with Article 26.2 above, plus an additional allowance of five (5%) percent to cover the **Contractor's** overhead and profit.

26.4 Where a change is ordered, involving both **Extra Work** and omitted or reduced **Contract Work**, the **Contract** price shall be adjusted, subject to pre-audit by the **EAO**, in an amount based on the difference between the cost of such **Extra Work** and of the omitted or reduced **Work**.

26.5 Where the **Contractor** and the **Commissioner** can agree upon a fixed price for **Extra Work** in accordance with Article 25.3.2 or another method of payment for **Extra Work** in accordance with

Article 25.3.4, or for **Extra Work** ordered in connection with omitted **Work**, such method, subject to pre-audit by the **EAO**, may, at the option of the **Commissioner**, be substituted for the cost plus a percentage method provided in Article 26.2; provided, however, that if the **Extra Work** is performed by a **Subcontractor**, the **Contractor** shall not be entitled to receive more than an additional allowance of five (5%) percent for overhead and profit over the cost of such **Subcontractor's Work** as computed in accordance with Article 26.2.

ARTICLE 27. RESOLUTION OF DISPUTES

27.1 All disputes between the **City** and the **Contractor** of the kind delineated in this Article 27.1 that arise under, or by virtue of, this **Contract** shall be finally resolved in accordance with the provisions of this Article 27 and the **PPB Rules**. This procedure for resolving all disputes of the kind delineated herein shall be the exclusive means of resolving any such disputes.

27.1.1 This Article 27 shall not apply to disputes concerning matters dealt with in other sections of the **PPB Rules**, or to disputes involving patents, copyrights, trademarks, or trade secrets (as interpreted by the courts of New York State) relating to proprietary rights in computer software.

27.1.2 This Article 27 shall apply only to disputes about the scope of **Work** delineated by the **Contract**, the interpretation of **Contract** documents, the amount to be paid for **Extra Work** or disputed work performed in connection with the **Contract**, the conformity of the **Contractor's Work** to the **Contract**, and the acceptability and quality of the **Contractor's Work**; such disputes arise when the **Engineer, Resident Engineer, Engineering Audit Officer**, or other designee of the **Commissioner** makes a determination with which the **Contractor** disagrees.

27.2 All determinations required by this Article 27 shall be made in writing clearly stated, with a reasoned explanation for the determination based on the information and evidence presented to the party making the determination. Failure to make such determination within the time required by this Article 27 shall be deemed a non-determination without prejudice that will allow application to the next level.

27.3 During such time as any dispute is being presented, heard, and considered pursuant to this Article 27, the **Contract** terms shall remain in force and the **Contractor** shall continue to perform **Work** as directed by the **ACCO** or the **Engineer**. Failure of the **Contractor** to continue **Work** as directed shall constitute a waiver by the **Contractor** of its claim.

27.4 Presentation of Disputes to **Commissioner**.

Notice of Dispute and Agency Response. The **Contractor** shall present its dispute in writing ("Notice of Dispute") to the **Commissioner** within thirty (30) Days of receiving written notice of the determination or action that is the subject of the dispute. This notice requirement shall not be read to replace any other notice requirements contained in the **Contract**. The Notice of Dispute shall include all the facts, evidence, documents, or other basis upon which the **Contractor** relies in support of its position, as well as a detailed computation demonstrating how any amount of money claimed by the **Contractor** in the dispute was arrived at. Within thirty (30) Days after receipt of the detailed written submission comprising the complete Notice of Dispute, the **Engineer, Resident Engineer, Engineering Audit Officer**, or other designee of the **Commissioner** shall submit to the **Commissioner** all materials he or she deems pertinent to the dispute. Following initial submissions to the **Commissioner**, either party may demand of the other the production of any document or other material the demanding party believes may be relevant to the dispute. The requested party shall produce all relevant materials that are not otherwise

protected by a legal privilege recognized by the courts of New York State. Any question of relevancy shall be determined by the **Commissioner** whose decision shall be final. Willful failure of the **Contractor** to produce any requested material whose relevancy the **Contractor** has not disputed, or whose relevancy has been affirmatively determined, shall constitute a waiver by the **Contractor** of its claim.

27.4.1 **Commissioner Inquiry.** The **Commissioner** shall examine the material and may, in his or her discretion, convene an informal conference with the **Contractor**, the **ACCO**, and the **Engineer, Resident Engineer, Engineering Audit Officer**, or other designee of the **Commissioner** to resolve the issue by mutual consent prior to reaching a determination. The **Commissioner** may seek such technical or other expertise as he or she shall deem appropriate, including the use of neutral mediators, and require any such additional material from either or both parties as he or she deems fit. The **Commissioner's** ability to render, and the effect of, a decision hereunder shall not be impaired by any negotiations in connection with the dispute presented, whether or not the **Commissioner** participated therein. The **Commissioner** may or, at the request of any party to the dispute, shall compel the participation of any **Other Contractor** with a contract related to the **Work** of this **Contract**, and that **Contractor** shall be bound by the decision of the **Commissioner**. Any **Other Contractor** thus brought into the dispute resolution proceeding shall have the same rights and obligations under this Article 27 as the **Contractor** initiating the dispute.

27.4.2 **Commissioner Determination.** Within thirty (30) **Days** after the receipt of all materials and information, or such longer time as may be agreed to by the parties, the **Commissioner** shall make his or her determination and shall deliver or send a copy of such determination to the **Contractor**, the **ACCO**, and **Engineer, Resident Engineer, Engineering Audit Officer**, or other designee of the **Commissioner**, as applicable, together with a statement concerning how the decision may be appealed.

27.4.3 **Finality of Commissioner's Decision.** The **Commissioner's** decision shall be final and binding on all parties, unless presented to the Contract Dispute Resolution Board pursuant to this Article 27. The **City** may not take a petition to the Contract Dispute Resolution Board. However, should the **Contractor** take such a petition, the **City** may seek, and the Contract Dispute Resolution Board may render, a determination less favorable to the **Contractor** and more favorable to the **City** than the decision of the **Commissioner**.

27.5 **Presentation of Dispute to the Comptroller.** Before any dispute may be brought by the **Contractor** to the Contract Dispute Resolution Board, the **Contractor** must first present its claim to the **Comptroller** for his or her review, investigation, and possible adjustment.

27.5.1 **Time, Form, and Content of Notice.** Within thirty (30) **Days** of its receipt of a decision by the **Commissioner**, the **Contractor** shall submit to the **Comptroller** and to the **Commissioner** a Notice of Claim regarding its dispute with the **Agency**. The Notice of Claim shall consist of (i) a brief written statement of the substance of the dispute, the amount of money, if any, claimed and the reason(s) the **Contractor** contends the dispute was wrongly decided by the **Commissioner**; (ii) a copy of the written decision of the **Commissioner**; and (iii) a copy of all materials submitted by the **Contractor** to the **Agency**, including the Notice of Dispute. The **Contractor** may not present to the **Comptroller** any material not presented to the **Commissioner**, except at the request of the **Comptroller**.

27.5.2 Response. Within thirty (30) **Days** of receipt of the Notice of Claim, the **Agency** shall make available to the **Comptroller** a copy of all material submitted by the **Agency** to the **Commissioner** in connection with the dispute. The **Agency** may not present to the **Comptroller** any material not presented to the **Commissioner** except at the request of the **Comptroller**.

27.5.3 **Comptroller** Investigation. The **Comptroller** may investigate the claim in dispute and, in the course of such investigation, may exercise all powers provided in Sections 7-201 and 7-203 of the Administrative Code. In addition, the **Comptroller** may demand of either party, and such party shall provide, whatever additional material the **Comptroller** deems pertinent to the claim, including original business records of the **Contractor**. Willful failure of the **Contractor** to produce within fifteen (15) **Days** any material requested by the **Comptroller** shall constitute a waiver by the **Contractor** of its claim. The **Comptroller** may also schedule an informal conference to be attended by the **Contractor**, **Agency** representatives, and any other personnel desired by the **Comptroller**.

27.5.4 Opportunity of **Comptroller** to Compromise or Adjust Claim. The **Comptroller** shall have forty-five (45) **Days** from his or her receipt of all materials referred to in Article 27.5.3 to investigate the disputed claim. The period for investigation and compromise may be further extended by agreement between the **Contractor** and the **Comptroller**, to a maximum of ninety (90) **Days** from the **Comptroller's** receipt of all materials. The **Contractor** may not present its petition to the Contract Dispute Resolution Board until the period for investigation and compromise delineated in this Article 27.5.4 has expired. In compromising or adjusting any claim hereunder, the **Comptroller** may not revise or disregard the terms of the **Contract** between the parties.

27.6 Contract Dispute Resolution Board. There shall be a Contract Dispute Resolution Board composed of:

27.6.1 The chief administrative law judge of the Office of Administrative Trials and Hearings (OATH) or his/her designated OATH administrative law judge, who shall act as chairperson, and may adopt operational procedures and issue such orders consistent with this Article 27 as may be necessary in the execution of the Contract Dispute Resolution Board's functions, including, but not limited to, granting extensions of time to present or respond to submissions;

27.6.2 The **CCPO** or his/her designee; any designee shall have the requisite background to consider and resolve the merits of the dispute and shall not have participated personally and substantially in the particular matter that is the subject of the dispute or report to anyone who so participated; and

27.6.3 A person with appropriate expertise who is not an employee of the **City**. This person shall be selected by the presiding administrative law judge from a prequalified panel of individuals, established and administered by OATH with appropriate background to act as decision-makers in a dispute. Such individual may not have a contract or dispute with the **City** or be an officer or employee of any company or organization that does, or regularly represents persons, companies, or organizations having disputes with the **City**.

27.7 Petition to the Contract Dispute Resolution Board. In the event the claim has not been settled or adjusted by the **Comptroller** within the period provided in this Article 27, the **Contractor**,

within thirty (30) **Days** thereafter, may petition the Contract Dispute Resolution Board to review the **Commissioner's** determination.

27.7.1 **Form and Content of Petition by Contractor.** The **Contractor** shall present its dispute to the Contract Dispute Resolution Board in the form of a petition, which shall include (i) a brief written statement of the substance of the dispute, the amount of money, if any, claimed, and the reason(s) the **Contractor** contends the dispute was wrongly decided by the **Commissioner**; (ii) a copy of the written Decision of the **Commissioner**, (iii) copies of all materials submitted by the **Contractor** to the Agency; (iv) a copy of the written decision of the **Comptroller**, if any, and (v) copies of all correspondence with, or written material submitted by the **Contractor**, to the **Comptroller**. The **Contractor** shall concurrently submit four (4) complete sets of the Petition: one set to the City Corporation Counsel (Attn: Commercial and Real Estate Litigation Division) and three (3) sets to the Contract Dispute Resolution Board at OATH's offices with proof of service on the City Corporation Counsel. In addition, the **Contractor** shall submit a copy of the written statement of the substance of the dispute, cited in (i) above, to both the **Commissioner** and the **Comptroller**.

27.7.2 **Agency Response.** Within thirty (30) **Days** of its receipt of the Petition by the City Corporation Counsel, the **Agency** shall respond to the brief written statement of the **Contractor** and make available to the Contract Dispute Resolution Board all material it submitted to the **Commissioner** and **Comptroller**. Three (3) complete copies of the **Agency** response shall be provided to the Contract Dispute Resolution Board and one to the **Contractor**. Extensions of time for submittal of the **Agency** response shall be given as necessary upon a showing of good cause or, upon consent of the parties, for an initial period of up to thirty (30) **Days**.

27.7.3 **Further Proceedings.** The Contract Dispute Resolution Board shall permit the **Contractor** to present its case by submission of memoranda, briefs, and oral argument. The Contract Dispute Resolution Board shall also permit the **Agency** to present its case in response to the **Contractor** by submission of memoranda, briefs, and oral argument. If requested by the City Corporation Counsel, the **Comptroller** shall provide reasonable assistance in the preparation of the **Agency's** case. Neither the **Contractor** nor the **Agency** may support its case with any documentation or other material that was not considered by the **Comptroller**, unless requested by the Contract Dispute Resolution Board. The Contract Dispute Resolution Board, in its discretion, may seek such technical or other expert advice as it shall deem appropriate and may seek, on its own or upon application of a party, any such additional material from any party as it deems fit. The Contract Dispute Resolution Board, in its discretion, may combine more than one dispute between the parties for concurrent resolution.

27.7.4 **Contract Dispute Resolution Board Determination.** Within forty-five (45) **Days** of the conclusion of all written submissions and oral arguments, the Contract Dispute Resolution Board shall render a written decision resolving the dispute. In an unusually complex case, the Contract Dispute Resolution Board may render its decision in a longer period, not to exceed ninety (90) **Days**, and shall so advise the parties at the commencement of this period. The Contract Dispute Resolution Board's decision must be consistent with the terms of the **Contract**. Decisions of the Contract Dispute Resolution Board shall only resolve matters before the Contract Dispute Resolution Board and shall not have precedential effect with respect to matters not before the Contract Dispute Resolution Board.

27.7.5 Notification of Contract Dispute Resolution Board Decision. The Contract Dispute Resolution Board shall send a copy of its decision to the **Contractor**, the **ACCO**, the Engineer, the **Comptroller**, the City Corporation Counsel, the CCPO, and the **PPB**. A decision in favor of the **Contractor** shall be subject to the prompt payment provisions of the **PPB** Rules. The Required Payment Date shall be thirty (30) Days after the date the parties are formally notified of the Contract Dispute Resolution Board's decision.

27.7.6 Finality of Contract Dispute Resolution Board Decision. The Contract Dispute Resolution Board's decision shall be final and binding on all parties. Any party may seek review of the Contract Dispute Resolution Board's decision solely in the form of a challenge, filed within four (4) months of the date of the Contract Dispute Resolution Board's decision, in a court of competent jurisdiction of the State of New York, County of New York pursuant to Article 78 of the Civil Practice Law and Rules. Such review by the court shall be limited to the question of whether or not the Contract Dispute Resolution Board's decision was made in violation of lawful procedure, was affected by an error of **Law**, or was arbitrary and capricious or an abuse of discretion. No evidence or information shall be introduced or relied upon in such proceeding that was not presented to the Contract Dispute Resolution Board in accordance with this Article 27.

27.8 Any termination, cancellation, or alleged breach of the **Contract** prior to or during the pendency of any proceedings pursuant to this Article 27 shall not affect or impair the ability of the **Commissioner** or Contract Dispute Resolution Board to make a binding and final decision pursuant to this Article 27.

ARTICLE 28. RECORD KEEPING FOR EXTRA OR DISPUTED WORK OR WORK ON A TIME & MATERIALS BASIS

28.1 While the **Contractor** or any of its **Subcontractors** is performing **Work** on a time and material basis or **Extra Work** on a time and material basis ordered by the **Commissioner** under Article 25, or where the **Contractor** believes that it or any of its **Subcontractors** is performing **Extra Work** but a final determination by **Agency** has not been made, or the **Contractor** or any of its **Subcontractors** is performing disputed **Work** (whether on or off the **Site**), or complying with a determination or order under protest in accordance with Articles 11, 27, and 30, in each such case the **Contractor** shall furnish the **Resident Engineer** daily with three (3) copies of written statements signed by the **Contractor's** representative at the **Site** showing:

28.1.1 The name, trade, and number of each worker employed on such **Work** or engaged in complying with such determination or order, the number of hours employed, and the character of the **Work** each is doing; and

28.1.2 The nature and quantity of any materials, plant and equipment furnished or used in connection with the performance of such **Work** or compliance with such determination or order, and from whom purchased or rented.

28.2 A copy of such statement will be countersigned by the **Resident Engineer**, noting thereon any items not agreed to or questioned, and will be returned to the **Contractor** within two (2) **Days** after submission.

28.3 The **Contractor** and its **Subcontractors**, when required by the **Commissioner**, or the **Comptroller**, shall also produce for inspection, at the office of the **Contractor** or **Subcontractor**, any and all of its books, bid documents, financial statements, vouchers, records, daily job diaries and reports,

and cancelled checks, and any other documents relating to showing the nature and quantity of the labor, materials, plant and equipment actually used in the performance of such **Work**, or in complying with such determination or order, and the amounts expended therefor, and shall permit the **Commissioner** and the **Comptroller** to make such extracts therefrom, or copies thereof, as they or either of them may desire.

28.4 In connection with the examination provided for herein, the **Commissioner**, upon demand therefor, will produce for inspection by the **Contractor** such records as the **Agency** may have with respect to such **Extra Work** or disputed **Work** performed under protest pursuant to order of the **Commissioner**, except those records and reports which may have been prepared for the purpose of determining the accuracy and validity of the **Contractor's** claim.

28.5 Failure to comply strictly with these requirements shall constitute a waiver of any claim for extra compensation or damages on account of the performance of such **Work** or compliance with such determination or order.

ARTICLE 29. OMITTED WORK

29.1 If any **Contract Work** in a lump sum **Contract**, or if any part of a lump sum item in a unit price, lump sum, or percentage-bid **Contract** is omitted by the **Commissioner** pursuant to Article 33, the **Contract** price, subject to audit by the EAO, shall be reduced by a pro rata portion of the lump sum bid amount based upon the percent of **Work** omitted subject to Article 29.4. For the purpose of determining the pro rata portion of the lump sum bid amount, the bid breakdown submitted in accordance with Article 41 shall be considered, but shall not be the determining factor.

29.2 If the whole of a lump sum item or units of any other item is so omitted by the **Commissioner** in a unit price, lump sum, or percentage-bid **Contract**, then no payment will be made therefor except as provided in Article 29.4.

29.3 For units that have been ordered but are only partially completed, the unit price shall be reduced by a pro rata portion of the unit price bid based upon the percentage of **Work** omitted subject to Article 29.4.

29.4 In the event the **Contractor**, with respect to any omitted **Work**, has purchased any non-cancelable material and/or equipment that is not capable of use except in the performance of this **Contract** and has been specifically fabricated for the sole purpose of this **Contract**, but not yet incorporated into the **Work**, the **Contractor** shall be paid for such material and/or equipment in accordance with Article 64.2.1(b); provided, however, such payment is contingent upon the **Contractor's** delivery of such material and/or equipment in acceptable condition to a location designated by the **City**.

29.5 The **Contractor** agrees to make no claim for damages or for loss of overhead and profit with regard to any omitted **Work**.

ARTICLE 30. NOTICE AND DOCUMENTATION OF COSTS AND DAMAGES; PRODUCTION OF FINANCIAL RECORDS

30.1 If the **Contractor** shall claim to be sustaining damages by reason of any act or omission of the **City** or its agents, it shall submit to the **Commissioner** within forty-five (45) **Days** from the time such damages are first incurred, and every thirty (30) **Days** thereafter to the extent additional damages are being incurred for the same condition, verified statements of the details and the amounts of such

damages, together with documentary evidence of such damages. The **Contractor** may submit any of the above statements within such additional time as may be granted by the **Commissioner** in writing upon written request therefor. Failure of the **Commissioner** to respond in writing to a written request for additional time within thirty (30) **Days** shall be deemed a denial of the request. On failure of the **Contractor** to strictly comply with the foregoing provisions, such claims shall be deemed waived and no right to recover on such claims shall exist. Damages that the **Contractor** may claim in any action or dispute resolution procedure arising under or by reason of this **Contract** shall not be different from or in excess of the statements and documentation made pursuant to this Article 30. This Article 30.1 does not apply to claims submitted to the **Commissioner** pursuant to Article 11 or to claims disputing a determination under Article 27.

30.2 In addition to the foregoing statements, the **Contractor** shall, upon notice from the **Commissioner**, produce for examination at the **Contractor's** office, by the **Engineer, Architect or Project Manager**, all of its books of account, bills, invoices, payrolls, subcontracts, time books, daily reports, bank deposit books, bank statements, check books, and cancelled checks, showing all of its acts and transactions in connection with or relating to or arising by reason of this **Contract**, and submit itself and persons in its employment, for examination under oath by any person designated by the **Commissioner** or **Comptroller** to investigate claims made or disputes against the **City** under this **Contract**. At such examination, a duly authorized representative of the **Contractor** may be present.

30.3 In addition to the statements required under Article 28 and this Article 30, the **Contractor** and/or its **Subcontractor** shall, within thirty (30) **Days** upon notice from the **Commissioner** or **Comptroller**, produce for examination at the **Contractor's** and/or **Subcontractor's** office, by a representative of either the **Commissioner** or **Comptroller**, all of its books of account, bid documents, financial statements, accountant workpapers, bills, invoices, payrolls, subcontracts, time books, daily reports, bank deposit books, bank statements, check books, and cancelled checks, showing all of its acts and transactions in connection with or relating to or arising by reason of this **Contract**. Further, the **Contractor** and/or its **Subcontractor** shall submit any person in its employment, for examination under oath by any person designated by the **Commissioner** or **Comptroller** to investigate claims made or disputes against the **City** under this **Contract**. At such examination, a duly authorized representative of the **Contractor** may be present.

30.4 Unless the information and examination required under Article 30.3 is provided by the **Contractor** and/or its **Subcontractor** upon thirty (30) **Days'** notice from the **Commissioner** or **Comptroller**, or upon the **Commissioner's** or **Comptroller's** written authorization to extend the time to comply, the **City** shall be released from all claims arising under, relating to or by reason of this **Contract**, except for sums certified by the **Commissioner** to be due under the provisions of this **Contract**. It is further stipulated and agreed that no person has the power to waive any of the foregoing provisions and that in any action or dispute resolution procedure against the **City** to recover any sum in excess of the sums certified by the **Commissioner** to be due under or by reason of this **Contract**, the **Contractor** must allege in its complaint and prove, at trial or during such dispute resolution procedure, compliance with the provisions of this Article 30.

30.5 In addition, after the commencement of any action or dispute resolution procedure by the **Contractor** arising under or by reason of this **Contract**, the **City** shall have the right to require the **Contractor** to produce for examination under oath, up until the trial of the action or hearing before the Contract Dispute Resolution Board, the books and documents described in Article 30.3 and submit itself and all persons in its employ for examination under oath. If this Article 30 is not complied with as required, then the **Contractor** hereby consents to the dismissal of the action or dispute resolution procedure.

CHAPTER VII: POWERS OF THE RESIDENT ENGINEER, THE ENGINEER OR ARCHITECT AND THE COMMISSIONER

ARTICLE 31. THE RESIDENT ENGINEER

31.1 The **Resident Engineer** shall have the power to inspect, supervise, and control the performance of the **Work**, subject to review by the **Commissioner**. The **Resident Engineer** shall not, however, have the power to issue an **Extra Work** order, except as specifically designated in writing by the **Commissioner**.

ARTICLE 32. THE ENGINEER OR ARCHITECT OR PROJECT MANAGER

32.1 The **Engineer** or **Architect** or **Project Manager**, in addition to those matters elsewhere herein delegated to the **Engineer** and expressly made subject to his/her determination, direction or approval, shall have the power, subject to review by the **Commissioner**:

32.1.1 To determine the amount, quality, and location of the **Work** to be paid for hereunder; and

32.1.2 To determine all questions in relation to the **Work**, to interpret the **Contract Drawings**, **Specifications**, and **Addenda**, and to resolve all patent inconsistencies or ambiguities therein; and

32.1.3 To determine how the **Work** of this **Contract** shall be coordinated with **Work** of **Other Contractors** engaged simultaneously on this **Project**, including the power to suspend any part of the **Work**, but not the whole thereof; and

32.1.4 To make minor changes in the **Work** as he/she deems necessary, provided such changes do not result in a net change in the cost to the **City** or to the **Contractor** of the **Work** to be done under the **Contract**; and

32.1.5 To amplify the **Contract Drawings**, add explanatory information and furnish additional **Specifications** and drawings, consistent with this **Contract**.

32.2 The foregoing enumeration shall not imply any limitation upon the power of the **Engineer** or **Architect** or **Project Manager**, for it is the intent of this **Contract** that all of the **Work** shall generally be subject to his/her determination, direction, and approval, except where the determination, direction or approval of someone other than the **Engineer** or **Architect** or **Project Manager** is expressly called for herein.

32.3 The **Engineer** or **Architect** or **Project Manager** shall not, however, have the power to issue an **Extra Work** order, except as specifically designated in writing by the **Commissioner**.

ARTICLE 33. THE COMMISSIONER

33.1 The **Commissioner**, in addition to those matters elsewhere herein expressly made subject to his/her determination, direction or approval, shall have the power:

33.1.1 To review and make determinations on any and all questions in relation to this **Contract** and its performance; and

33.1.2 To modify or change this **Contract** so as to require the performance of **Extra Work** (subject, however, to the limitations specified in Article 25) or the omission of **Contract Work**; and

33.1.3 To suspend the whole or any part of the **Work** whenever in his/her judgment such suspension is required:

33.1.3(a) In the interest of the **City** generally; or

33.1.3(b) To coordinate the **Work** of the various contractors engaged on this **Project** pursuant to the provisions of Article 12; or

33.1.3(c) To expedite the completion of the entire **Project** even though the completion of this particular **Contract** may thereby be delayed.

ARTICLE 34. NO ESTOPPEL

34.1 Neither the **City** nor any **Agency**, official, agent or employee thereof, shall be bound, precluded or estopped by any determination, decision, approval, order, letter, payment or certificate made or given under or in connection with this **Contract** by the **City**, the **Commissioner**, the **Engineer**, the **Resident Engineer**, or any other official, agent or employee of the **City**, either before or after the final completion and acceptance of the **Work** and payment therefor:

34.1.1 From showing the true and correct classification, amount, quality or character of the **Work** actually done; or that any such determination, decision, order, letter, payment or certificate was untrue, incorrect or improperly made in any particular, or that the **Work**, or any part thereof, does not in fact conform to the requirements of this **Contract**; and

34.1.2 From demanding and recovering from the **Contractor** any overpayment made to it, or such damages as the **City** may sustain by reason of the **Contractor's** failure to perform each and every part of its **Contract**.

CHAPTER VIII: LABOR PROVISIONS

ARTICLE 35. EMPLOYEES

35.1 The **Contractor** and its **Subcontractors** shall not employ on the **Work**:

35.1.1 Anyone who is not competent, faithful and skilled in the **Work** for which he/she shall be employed; and whenever the **Commissioner** shall inform the **Contractor**, in writing, that any employee is, in his/her opinion, incompetent, unfaithful or disobedient, that employee shall be discharged from the **Work** forthwith, and shall not again be employed upon it; or

35.1.2 Any labor, materials or means whose employment, or utilization during the course of this **Contract**, may tend to or in any way cause or result in strikes, work stoppages, delays, suspension of **Work** or similar troubles by workers employed by the **Contractor** or its **Subcontractors**, or by any of the trades working in or about the buildings and premises where **Work** is being performed under this **Contract**, or by **Other Contractors** or their **Subcontractors** pursuant to other contracts, or on any other building or premises owned or operated by the **City**, its **Agencies**, departments, boards or authorities. Any violation by the **Contractor** of this requirement may, upon certification of the **Commissioner**, be considered as proper and sufficient cause for declaring the **Contractor** to be in default, and for the **City** to take action against it as set forth in Chapter X of this **Contract**, or such other article of this **Contract** as the **Commissioner** may deem proper; or

35.1.3 In accordance with Section 220.3-e of the Labor Law of the State of New York (hereinafter "Labor Law"), the **Contractor** and its **Subcontractors** shall not employ on the **Work** any apprentice, unless he/she is a registered individual, under a bona fide program registered with the New York State Department of Labor. The allowable ratio of apprentices to journey-level workers in any craft classification shall not be greater than the ratio permitted to the **Contractor** as to its work force on any job under the registered program. Any employee listed on a payroll at an apprentice wage rate, who is not registered as above, shall be paid the wage rate determined by the **Comptroller** of the **City** for the classification of **Work** actually performed. The **Contractor** or **Subcontractor** will be required to furnish written evidence of the registration of its program and apprentices as well as all the appropriate ratios and wage rates, for the area of the construction prior to using any apprentices on the **Contract Work**.

35.2 If the total cost of the **Work** under this **Contract** is at least two hundred fifty thousand (\$250,000) dollars, all laborers, workers, and mechanics employed in the performance of the **Contract** on the public work site, either by the **Contractor**, **Subcontractor** or other person doing or contracting to do the whole or a part of the **Work** contemplated by the **Contract**, shall be certified prior to performing any **Work** as having successfully completed a course in construction safety and health approved by the United States Department of Labor's Occupational Safety and Health Administration that is at least ten (10) hours in duration.

35.3 In accordance with Local Law Nos. 30-2012 and 33-2012, codified at sections 6-132 and 12-113 of the Administrative Code, respectively,

35.3.1 The **Contractor** shall not take an adverse personnel action with respect to an officer or employee in retaliation for such officer or employee making a report of information concerning conduct which such officer or employee knows or reasonably believes to involve corruption, criminal activity, conflict of interest, gross mismanagement or abuse of authority by any officer or employee relating to this **Contract** to (a) the **Commissioner** of the Department of Investigation, (b) a member of the New York City Council, the Public Advocate, or the **Comptroller**, or (c) the **CCPO**, **ACCO**, **Agency head**, or **Commissioner**.

35.3.2 If any of the **Contractor's** officers or employees believes that he or she has been the subject of an adverse personnel action in violation of Article 35.3.1, he or she shall be entitled to bring a cause of action against the **Contractor** to recover all relief necessary to make him or her whole. Such relief may include but is not limited to: (a) an injunction to restrain continued retaliation, (b) reinstatement to the position such employee would have had but for the retaliation or to an equivalent position, (c) reinstatement of full fringe benefits and seniority rights, (d) payment of two times back

pay, plus interest, and (e) compensation for any special damages sustained as a result of the retaliation, including litigation costs and reasonable attorney's fees.

35.3.3 The **Contractor** shall post a notice provided by the **City** in a prominent and accessible place on any site where work pursuant to the **Contract** is performed that contains information about:

35.3.3(a) how its employees can report to the New York City Department of Investigation allegations of fraud, false claims, criminality or corruption arising out of or in connection with the **Contract**; and

35.3.3(b) the rights and remedies afforded to its employees under Administrative Code sections 7-805 (the New York City False Claims Act) and 12-113 (the Whistleblower Protection Expansion Act) for lawful acts taken in connection with the reporting of allegations of fraud, false claims, criminality or corruption in connection with the **Contract**.

35.3.4 For the purposes of this Article 35.3, "adverse personnel action" includes dismissal, demotion, suspension, disciplinary action, negative performance evaluation, any action resulting in loss of staff, office space, equipment or other benefit, failure to appoint, failure to promote, or any transfer or assignment or failure to transfer or assign against the wishes of the affected officer or employee.

35.3.5 This Article 35.3 is applicable to all of the **Contractor's Subcontractors** having subcontracts with a value in excess of \$100,000; accordingly, the **Contractor** shall include this rider in all subcontracts with a value a value in excess of \$100,000.

35.4 Article 35.3 is not applicable to this **Contract** if it is valued at \$100,000 or less. Articles 35.3.1, 35.3.2, 35.3.4, and 35.3.5 are not applicable to this **Contract** if it was solicited pursuant to a finding of an emergency.

35.5 Paid Sick Leave Law.

35.5.1 Introduction and General Provisions.

35.5.1(a) The Earned Sick Time Act, also known as the Paid Sick Leave Law ("PSLL"), requires covered employees who annually perform more than 80 hours of work in New York City to be provided with paid sick time.² Contractors of the **City** or of other governmental entities may be required to provide sick time pursuant to the PSLL.

35.5.1(b) The PSLL became effective on April 1, 2014, and is codified at Title 20, Chapter 8, of the New York City Administrative Code. It is administered by the **City's** Department of Consumer Affairs ("DCA"); DCA's rules promulgated under the PSLL are codified at Chapter 7 of Title 6 of the Rules of the City of New York ("Rules").

² Pursuant to the PSLL, if fewer than five employees work for the same employer, as determined pursuant to New York City Administrative Code § 20-912(g), such employer has the option of providing such employees uncompensated sick time.

35.5.1(c) The **Contractor** agrees to comply in all respects with the PSLL and the Rules, and as amended, if applicable, in the performance of this **Contract**. The **Contractor** further acknowledges that such compliance is a material term of this **Contract** and that failure to comply with the PSLL in performance of this **Contract** may result in its termination.

35.5.1(d) The **Contractor** must notify the **Agency Chief Contracting Officer** of the **Agency** with whom it is contracting in writing within ten (10) days of receipt of a complaint (whether oral or written) regarding the PSLL involving the performance of this **Contract**. Additionally, the **Contractor** must cooperate with DCA's education efforts and must comply with DCA's subpoenas and other document demands as set forth in the PSLL and Rules.

35.5.1(e) The PSLL is summarized below for the convenience of the **Contractor**. The **Contractor** is advised to review the PSLL and Rules in their entirety. On the website www.nyc.gov/PaidSickLeave there are links to the PSLL and the associated Rules as well as additional resources for employers, such as Frequently Asked Questions, timekeeping tools and model forms, and an event calendar of upcoming presentations and webinars at which the **Contractor** can get more information about how to comply with the PSLL. The **Contractor** acknowledges that it is responsible for compliance with the PSLL notwithstanding any inconsistent language contained herein.

35.5.2 Pursuant to the PSLL and the Rules: Applicability, Accrual, and Use.

35.5.2(a) An employee who works within the City of New York for more than eighty hours in any consecutive 12-month period designated by the employer as its "calendar year" pursuant to the PSLL ("Year") must be provided sick time. Employers must provide a minimum of one hour of sick time for every 30 hours worked by an employee and compensation for such sick time must be provided at the greater of the employee's regular hourly rate or the minimum wage. Employers are not required to provide more than 40 hours of sick time to an employee in any Year.

35.5.2(b) An employee has the right to determine how much sick time he or she will use, provided that employers may set a reasonable minimum increment for the use of sick time not to exceed four hours per **Day**. In addition, an employee may carry over up to 40 hours of unused sick time to the following Year, provided that no employer is required to allow the use of more than forty hours of sick time in a Year or carry over unused paid sick time if the employee is paid for such unused sick time and the employer provides the employee with at least the legally required amount of paid sick time for such employee for the immediately subsequent Year on the first **Day** of such Year.

35.5.2(c) An employee entitled to sick time pursuant to the PSLL may use sick time for any of the following:

- i. such employee's mental illness, physical illness, injury, or health condition or the care of such illness, injury, or condition or such employee's need for medical diagnosis or preventive medical care;
- ii. such employee's care of a family member (an employee's child, spouse, domestic partner, parent, sibling, grandchild or grandparent, or the child or parent of an employee's spouse or domestic partner) who has a mental

- illness, physical illness, injury or health condition or who has a need for medical diagnosis or preventive medical care;
- iii. closure of such employee's place of business by order of a public official due to a public health emergency; or
 - iv. such employee's need to care for a child whose school or childcare provider has been closed due to a public health emergency.

35.5.2(d) An employer must not require an employee, as a condition of taking sick time, to search for a replacement. However, an employer may require an employee to provide: reasonable notice of the need to use sick time; reasonable documentation that the use of sick time was needed for a reason above if for an absence of more than three consecutive work days; and/or written confirmation that an employee used sick time pursuant to the PSLL. However, an employer may not require documentation specifying the nature of a medical condition or otherwise require disclosure of the details of a medical condition as a condition of providing sick time and health information obtained solely due to an employee's use of sick time pursuant to the PSLL must be treated by the employer as confidential.

35.5.2(e) If an employer chooses to impose any permissible discretionary requirement as a condition of using sick time, it must provide to all employees a written policy containing those requirements, using a delivery method that reasonably ensures that employees receive the policy. If such employer has not provided its written policy, it may not deny sick time to an employee because of non-compliance with such a policy.

35.5.2(f) Sick time to which an employee is entitled must be paid no later than the payday for the next regular payroll period beginning after the sick time was used.

35.5.3 Exemptions and Exceptions. Notwithstanding the above, the PSLL does not apply to any of the following:

35.5.3(a) an independent contractor who does not meet the definition of employee under section 190(2) of the New York State Labor Law;

35.5.3(b) an employee covered by a valid collective bargaining agreement in effect on April 1, 2014, until the termination of such agreement;

35.5.3(c) an employee in the construction or grocery industry covered by a valid collective bargaining agreement if the provisions of the PSLL are expressly waived in such collective bargaining agreement;

35.5.3(d) an employee covered by another valid collective bargaining agreement if such provisions are expressly waived in such agreement and such agreement provides a benefit comparable to that provided by the PSLL for such employee;

35.5.3(e) an audiologist, occupational therapist, physical therapist, or speech language pathologist who is licensed by the New York State Department of Education and who calls in for work assignments at will, determines his or her own schedule, has the ability to reject or accept any assignment referred to him or her, and is paid an average hourly wage that is at least four times the federal minimum wage;

35.5.3(f) an employee in a work study program under Section 2753 of Chapter 42 of the United States Code;

35.5.3(g) an employee whose work is compensated by a qualified scholarship program as that term is defined in the Internal Revenue Code, Section 117 of Chapter 20 of the United States Code; or

35.5.3(h) a participant in a Work Experience Program (WEP) under section 336-c of the New York State Social Services Law.

35.5.4 Retaliation Prohibited. An employer may not threaten or engage in retaliation against an employee for exercising or attempting in good faith to exercise any right provided by the PSL. In addition, an employer may not interfere with any investigation, proceeding, or hearing pursuant to the PSL.

35.5.5 Notice of Rights.

35.5.5(a) An employer must provide its employees with written notice of their rights pursuant to the PSL. Such notice must be in English and the primary language spoken by an employee, provided that DCA has made available a translation into such language. Downloadable notices are available on DCA's website at <http://www.nyc.gov/html/dca/html/law/PaidSickLeave.shtml>.

35.5.5(b) Any person or entity that willfully violates these notice requirements is subject to a civil penalty in an amount not to exceed fifty dollars for each employee who was not given appropriate notice.

35.5.6 Records. An employer must retain records documenting its compliance with the PSL for a period of at least three years, and must allow DCA to access such records in furtherance of an investigation related to an alleged violation of the PSL.

35.5.7 Enforcement and Penalties.

35.5.7(a) Upon receiving a complaint alleging a violation of the PSL, DCA has the right to investigate such complaint and attempt to resolve it through mediation. Within **30 Days** of written notification of a complaint by DCA, or sooner in certain circumstances, the employer must provide DCA with a written response and such other information as DCA may request. If DCA believes that a violation of the PSL has occurred, it has the right to issue a notice of violation to the employer.

35.5.7(b) DCA has the power to grant an employee or former employee all appropriate relief as set forth in New York City Administrative Code § 20-924(d). Such relief may include, among other remedies, treble damages for the wages that should have been paid; damages for unlawful retaliation, and damages and reinstatement for unlawful discharge. In addition, DCA may impose on an employer found to have violated the PSL civil penalties not to exceed \$500 for a first violation, \$750 for a second violation within two years of the first violation, and \$1,000 for each succeeding violation within two years of the previous violation.

35.5.8 More Generous Policies and Other Legal Requirements. Nothing in the PSL is intended to discourage, prohibit, diminish, or impair the adoption or retention of a more generous sick time policy, or the obligation of an employer to comply with any contract,

collective bargaining agreement, employment benefit plan or other agreement providing more generous sick time. The PSLL provides minimum requirements pertaining to sick time and does not preempt, limit or otherwise affect the applicability of any other law, regulation, rule, requirement, policy or standard that provides for greater accrual or use by employees of sick leave or time, whether paid or unpaid, or that extends other protections to employees. The PSLL may not be construed as creating or imposing any requirement in conflict with any federal or state law, rule or regulation.

35.6 HireNYC: Hiring and Reporting Requirements. This Article 35.6 applies to construction contracts of \$1,000,000 or more. The **Contractor** shall comply with the requirements of Articles 35.6.1-35.6.5 for all non-trades jobs (e.g., for an administrative position arising out of **Work** ant located in New York City). The **Contractor** shall reasonably cooperate with SBS and the **City** on specific outreach events, including "Hire-on-the-Spot" events, for the hiring of trades workers in connection with the **Work**. If provided elsewhere in this **Contract**, this **Contract** is subject to a project labor agreement.

35.6.1 Enrollment. The **Contractor** shall enroll with the HireNYC system, found at www.nyc.gov/sbs, within thirty (30) days after the registration of this **Contract** pursuant to Section 328 of the New York City Charter. The **Contractor** shall provide information about the business, designate a primary contact and say whether it intends to hire for any entry to mid-level job opportunities arising from this **Contract** and located in New York City, and, if so, the approximate start date of the first hire.

35.6.2 Job Posting Requirements.

35.6.2(a) Once enrolled in HireNYC, the **Contractor** agrees to update the HireNYC portal with all entry to mid-level job opportunities arising from this **Contract** and located in New York City, if any, which shall be defined as jobs requiring no more than an associate degree, as provided by the New York State Department of Labor (see Column F of <https://labor.ny.gov/stats/2012-2022-NYS-Employment-Prospects.xls>). The information to be updated includes the types of entry and mid-level positions made available from the work arising from the **Contract** and located in New York City, the number of positions, the anticipated schedule of initiating the hiring process for these positions, and the contact information for the **Contractor's** representative charged with overseeing hiring. The **Contractor** must update the HireNYC portal with any hiring needs arising from the contract and located in New York City, and the requirements of the jobs to be filled, no less than three weeks prior to the intended first day of employment for each new position, except with the permission of SBS, not to be unreasonably withheld, and must also update the HireNYC portal as set forth below.

35.6.2(b) After enrollment through HireNYC and submission of relevant information, SBS will work with the **Contractor** to develop a recruitment plan which will outline the candidate screening process, and will provide clear instructions as to when, where, and how interviews will take place. HireNYC will screen applicants based on employer requirements and refer applicants whom it believes are qualified to the **Contractor** for interviews. The **Contractor** must interview referred applicants whom it believes are qualified.

35.6.2(c) After completing an interview of a candidate referred by HireNYC, the **Contractor** must provide feedback via the portal within twenty (20) business days to indicate which candidates were interviewed and hired, if any. In addition, the **Contractor** shall provide the start date of new hires, and additional information

reasonably related to such hires, within twenty (20) business days after the start date. In the event the **Contractor** does not have any job openings covered by this Rider in any given year, the **Contractor** shall be required to provide an annual update to HireNYC to that effect. For this purpose, the reporting year shall run from the date of the registration of the **Contract** pursuant to Charter section 328 and each anniversary date.

35.6.2(d) These requirements do not limit the **Contractor's** ability to assess the qualifications of prospective workers, and to make final hiring and retention decisions. No provision of this Article 35.6 shall be interpreted so as to require the **Contractor** to employ any particular worker.

35.6.2(e) In addition, the provisions of this Article 35.6 shall not apply to positions that the **Contractor** intends to fill with employees employed pursuant to the job retention provision of Section 22-505 of the Administrative Code of the City of New York. The **Contractor** shall not be required to report such openings with HireNYC. However, the **Contractor** shall enroll with the HireNYC system pursuant to Article 35.6.1, above, and, if such positions subsequently become open, then the remaining provisions of this Article 35.6 will apply.

35.6.3 Breach and Liquidated Damages. If the **Contractor** fails to comply with the terms of the **Contract** and this Article 35.6 (1) by not enrolling its business with HireNYC; (2) by not informing HireNYC, as required, of open positions; or (3) by failing to interview a qualified candidate, the **Agency** may assess liquidated damages in the amount of two-thousand five hundred dollars (\$2,500) per breach. For all other events of noncompliance with the terms of this Article 35.6, the **Agency** may assess liquidated damages in the amount of five hundred dollars (\$500) per breach. Furthermore, in the event the **Contractor** breaches the requirements of this Article 35.6 during the term of the **Contract**, the **City** may hold the **Contractor** in default of this **Contract**.

35.6.4 Audit Compliance. In addition to the auditing requirements set forth in other parts of the **Contract**, the **Contractor** shall permit SBS and the **City** to inspect any and all records concerning or relating to job openings or the hiring of individuals for work arising from the **Contract** and located in New York City. The **Contractor** shall permit an inspection within seven (7) business days of the request.

35.6.5 Other Reporting Requirements. The **Contractor** shall report to the **City**, on a monthly basis, all information reasonably requested by the **City** that is necessary for the **City** to comply with any reporting requirements imposed by **Law**, including any requirement that the **City** maintain a publicly accessible database. In addition, the **Contractor** agrees to comply with all reporting requirements imposed by **Law**, or as otherwise requested by the **City**.

35.6.6 Federal Hiring Requirements. If this **Contract** is federally funded (as indicated elsewhere in this **Contract**), the **Contractor** shall comply with all federal hiring requirements as may be set forth in this **Contract**, including, as applicable: (a) Section 3 of the HUD Act of 1968, which requires, to the greatest extent feasible, economic opportunities for 30 percent of new hires be given to low- and very low-income persons, particularly persons who are recipients of HUD assistance for housing and Executive Order 11246, which prohibits discrimination in employment due to race, color, religion, sex or national origin, and requires the implementation of goals for minority and female participation for work involving any construction trade.

ARTICLE 36. NO DISCRIMINATION

36.1 The **Contractor** specifically agrees, as required by Labor Law Section 220-e, as amended, that:

36.1.1 In the hiring of employees for the performance of **Work** under this **Contract** or any subcontract hereunder, neither the **Contractor**, **Subcontractor**, nor any person acting on behalf of such **Contractor** or **Subcontractor**, shall by reason of race, creed, color or national origin discriminate against any citizen of the State of New York who is qualified and available to perform the **Work** to which the employment relates;

36.1.2 Neither the **Contractor**, **Subcontractor**, nor any person on its behalf shall, in any manner, discriminate against or intimidate any employee hired for the performance of **Work** under this **Contract** on account of race, creed, color or national origin;

36.1.3 There may be deducted from the amount payable to the **Contractor** by the **City** under this **Contract** a penalty of fifty (\$50.00) dollars for each person for each **Day** during which such person was discriminated against or intimidated in violation of the provisions of this **Contract**; and

36.1.4 This **Contract** may be cancelled or terminated by the **City** and all moneys due or to become due hereunder may be forfeited, for a second or any subsequent violation of the terms or conditions of this Article 36.

36.1.5 This Article 36 covers all construction, alteration and repair of any public building or public work occurring in the State of New York and the manufacture, sale, and distribution of materials, equipment, and supplies to the extent that such operations are performed within the State of New York pursuant to this **Contract**.

36.2 The **Contractor** specifically agrees, as required by Section 6-108 of the Administrative Code, as amended, that:

36.2.1 It shall be unlawful for any person engaged in the construction, alteration or repair of buildings or engaged in the construction or repair of streets or highways pursuant to a **Contract** with the **City** or engaged in the manufacture, sale or distribution of materials, equipment or supplies pursuant to a **Contract** with the **City** to refuse to employ or to refuse to continue in any employment any person on account of the race, color or creed of such person.

36.2.2 It shall be unlawful for any person or any servant, agent or employee of any person, described in Article 36.1.2, to ask, indicate or transmit, orally or in writing, directly or indirectly, the race, color or creed or religious affiliation of any person employed or seeking employment from such person, firm or corporation.

36.2.3 Breach of the foregoing provisions shall be deemed a violation of a material provision of this **Contract**.

36.2.4 Any person, or the employee, manager or owner of or officer of such firm or corporation who shall violate any of the provisions of this Article 36.2 shall, upon

conviction thereof, be punished by a fine of not more than one hundred (\$100.00) dollars or by imprisonment for not more than thirty (30) **Days**, or both.

36.3 This **Contract** is subject to the requirements of Executive Order No. 50 (1980) ("E.O. 50"), as revised, and the rules and regulations promulgated thereunder. No contract will be awarded unless and until these requirements have been complied with in their entirety. By signing this **Contract**, the **Contractor** agrees that it:

36.3.1 Will not engage in any unlawful discrimination against any employee or applicant for employment because of race, creed, color, national origin, sex, age, disability, marital status or sexual orientation with respect to all employment decisions including, but not limited to, recruitment, hiring, upgrading, demotion, downgrading, transfer, training, rates of pay or other forms of compensation, layoff, termination, and all other terms and conditions of employment; and

36.3.2 Will not engage in any unlawful discrimination in the selection of **Subcontractors** on the basis of the owner's race, color, creed, national origin, sex, age, disability, marital status or sexual orientation; and

36.3.3 Will state in all solicitations or advertisements for employees placed by or on behalf of the **Contractor** that all qualified applicants will receive consideration for employment without unlawful discrimination based on race, creed, color, national origin, sex, age, citizens status, disability, marital status, sexual orientation, or that it is an equal employment opportunity employer; and

36.3.4 Will send to each labor organization or representative of workers with which it has a collective bargaining agreement or other contract or memorandum of understanding, written notification of its equal employment opportunity commitments under E.O. 50 and the rules and regulations promulgated thereunder; and

36.3.5 Will furnish, before the award of the **Contract**, all information and reports, including an employment report, that are required by E.O. 50, the rules and regulations promulgated thereunder, and orders of the City Department of Business Services, Division of Labor Services (**DLS**) and will permit access to its books, records, and accounts by the **DLS** for the purposes of investigation to ascertain compliance with such rules, regulations, and orders.

36.4 The **Contractor** understands that in the event of its noncompliance with the nondiscrimination clauses of this **Contract** or with any of such rules, regulations, or orders, such noncompliance shall constitute a material breach of this **Contract** and noncompliance with E.O. 50 and the rules and regulations promulgated thereunder. After a hearing held pursuant to the rules of the **DLS**, the Director of the **DLS** may direct the **Commissioner** to impose any or all of the following sanctions:

36.4.1 Disapproval of the **Contractor**; and/or

36.4.2 Suspension or termination of the **Contract**; and/or

36.4.3 Declaring the **Contractor** in default; and/or

36.4.4 In lieu of any of the foregoing sanctions, the Director of the **DLS** may impose an employment program.

In addition to any actions taken under this **Contract**, failure to comply with E.O. 50 and the rules and regulations promulgated thereunder, in one or more instances, may result in a **City Agency** declaring the **Contractor** to be non-responsible in future procurements. The **Contractor** further agrees that it will refrain from entering into any **Contract** or **Contract** modification subject to E.O. 50 and the rules and regulations promulgated thereunder with a **Subcontractor** who is not in compliance with the requirements of E.O. 50 and the rules and regulations promulgated thereunder.

36.5 The **Contractor** specifically agrees, as required by Section 6-123 of the Administrative Code, that:

36.5.1 The **Contractor** will not engage in any unlawful discriminatory practice in violation of Title 8 of the Administrative Code; and

36.5.2 Any failure to comply with this Article 36.5 may subject the **Contractor** to the remedies set forth in Section 6-123 of the Administrative Code, including, where appropriate, sanctions such as withholding of payment, imposition of an employment program, finding the **Contractor** to be in default, cancellation of the **Contract**, or any other sanction or remedy provided by **Law** or **Contract**.

ARTICLE 37. LABOR LAW REQUIREMENTS

37.1 The **Contractor** shall strictly comply with all applicable provisions of the Labor Law, as amended. Such compliance is a material term of this **Contract**.

37.2 The **Contractor** specifically agrees, as required by Labor Law Sections 220 and 220-d, as amended, that:

37.2.1 **Hours of Work:** No laborer, worker, or mechanic in the employ of the **Contractor**, **Subcontractor** or other person doing or contracting to do the whole or a part of the **Work** contemplated by this **Contract** shall be permitted or required to work more than eight (8) hours in any one (1) **Day**, or more than five (5) **Days** in any one (1) week, except as provided in the Labor Law and in cases of extraordinary emergency including fire, flood, or danger to life or property, or in the case of national emergency when so proclaimed by the President of the United States of America.

37.2.2 In situations in which there are not sufficient laborers, workers, and mechanics who may be employed to carry on expeditiously the **Work** contemplated by this **Contract** as a result of such restrictions upon the number of hours and **Days** of labor, and the immediate commencement or prosecution or completion without undue delay of the **Work** is necessary for the preservation of the **Site** and/or for the protection of the life and limb of the persons using the same, such laborers, workers, and mechanics shall be permitted or required to work more than eight (8) hours in any one (1) **Day**; or five (5) **Days** in any one (1) week; provided, however, that upon application of any **Contractor**, the **Commissioner** shall have first certified to the Commissioner of Labor of the State of New York (hereinafter "Commissioner of Labor") that such public **Work** is of an important nature and that a delay in carrying it to completion would result in serious disadvantage to the public; and provided, further, that such Commissioner of Labor shall have determined that such an emergency does in fact exist as provided in Labor Law Section 220.2.

37.2.3 Failure of the **Commissioner** to make such a certification to the Commissioner of Labor shall not entitle the **Contractor** to damages for delay or for any cause whatsoever.

37.2.4 Prevailing Rate of Wages: The wages to be paid for a legal day's **Work** to laborers, workers, or mechanics employed upon the **Work** contemplated by this **Contract** or upon any materials to be used thereon shall not be less than the "prevailing rate of wage" as defined in Labor Law Section 220, and as fixed by the **Comptroller** in the attached Schedule of Wage Rates and in updated schedules thereof. The prevailing wage rates and supplemental benefits to be paid are those in effect at the time the **Work** is being performed.

37.2.5 Requests for interpretation or correction in the Information for Bidders includes all requests for clarification of the classification of trades to be employed in the performance of the **Work** under this **Contract**. In the event that a trade not listed in the **Contract** is in fact employed during the performance of this **Contract**, the **Contractor** shall be required to obtain from the **Agency** the prevailing wage rates and supplementary benefits for the trades used and to complete the performance of this **Contract** at the price at which the **Contract** was awarded.

37.2.6 Minimum Wages: Except for employees whose wage is required to be fixed pursuant to Labor Law Section 220, all persons employed by the **Contractor** and any **Subcontractor** in the manufacture or furnishing of the supplies, materials, or equipment, or the furnishing of work, labor, or services, used in the performance of this **Contract**, shall be paid, without subsequent deduction or rebate unless expressly authorized by **Law**, not less than the sum mandated by **Law**.

37.3 Working Conditions: No part of the **Work**, labor or services shall be performed or rendered by the **Contractor** in any plants, factories, buildings or surroundings or under working conditions which are unsanitary or hazardous or dangerous to the health and safety of employees engaged in the performance of this **Contract**. Compliance with the safety, sanitary, and factory inspection **Laws** of the state in which the **Work** is to be performed shall be prima facie evidence of compliance with this Article 37.3.

37.4 Prevailing Wage Enforcement: The **Contractor** agrees to pay for all costs incurred by the **City** in enforcing prevailing wage requirements, including the cost of any investigation conducted by or on behalf of the **Agency** or the **Comptroller**, where the **City** discovers a failure to comply with any of the requirements of this Article 37 by the **Contractor** or its **Subcontractor(s)**. The **Contractor** also agrees that, should it fail or refuse to pay for any such investigation, the **Agency** is hereby authorized to deduct from a **Contractor's** account an amount equal to the cost of such investigation.

37.4.1 The Labor Law Section 220 and Section 220-d, as amended, provide that this **Contract** shall be forfeited and no sum paid for any **Work** done hereunder on a second conviction for willfully paying less than:

37.4.1(a) The stipulated prevailing wage scale as provided in Labor Law section 220, as amended, or

37.4.1(b) The stipulated minimum hourly wage scale as provided in Labor Law section 220-d, as amended.

37.4.2 For any breach or violation of either working conditions (Article 37.3) or minimum wages (Article 37.2.6) provisions, the party responsible therefor shall be liable to the **City** for liquidated damages, which may be withheld from any amounts due on any contracts with the **City** of such party responsible, or may be recovered in actions brought by the **City**

Corporation Counsel in the name of the **City**, in addition to damages for any other breach of this **Contract**, for a sum equal to the amount of any underpayment of wages due to any employee engaged in the performance of this **Contract**. In addition, the **Commissioner** shall have the right to cancel contracts and enter into other contracts for the completion of the original contract, with or without public letting, and the original **Contractor** shall be liable for any additional cost. All sums withheld or recovered as deductions, rebates, refunds, or underpayment of wages hereunder, shall be held in a special deposit account and shall be paid without interest, on order of the **Comptroller**, directly to the employees who have been paid less than minimum rates of pay as set forth herein and on whose account such sums were withheld or recovered, provided that no claims by employees for such payments shall be entertained unless made within two (2) years from the date of actual notice to the **Contractor** of the withholding or recovery of such sums by the **City**.

37.4.3 A determination by the **Comptroller** that a **Contractor** and/or its **Subcontractor** willfully violated Labor Law Section 220 will be forwarded to the **City's** five District Attorneys for review.

37.4.4 The **Contractor's** or **Subcontractor's** noncompliance with this Article 37.4 and Labor Law Section 220 may result in an unsatisfactory performance evaluation and the **Comptroller** may also find and determine that the **Contractor** or **Subcontractor** willfully violated the New York Labor Law.

37.4.4(a) An unsatisfactory performance evaluation for noncompliance with this Article 37.4 may result in a determination that the **Contractor** is a non-responsible bidder on subsequent procurements with the **City** and thus a rejection of a future award of a contract with the **City**, as well as any other sanctions provided for by Law.

37.4.4(b) Labor Law Section 220-b, as amended, provides that when two (2) final determinations have been rendered against a **Contractor** or **Subcontractor** within any consecutive six (6) year period determining that such **Contractor** or **Subcontractor** has willfully failed to pay the prevailing rate of wages or to provide supplements in accordance with the Labor Law and this Article 37.4, whether such failures were concurrent or consecutive and whether or not such final determinations concerning separate public works projects are rendered simultaneously, such **Contractor** or **Subcontractor** shall be ineligible to submit a bid on or be awarded any public works contract with the **City** for a period of five (5) years from the second final determination. If the final determination involves the falsification of payroll records or the kickback of wages or supplements, the **Contractor** or **Subcontractor** shall be ineligible to submit a bid on or be awarded any public works contract with the **City** for a period of five (5) years from the first final determination.

37.4.4(c) Labor Law Section 220, as amended, provides that the **Contractor** or **Subcontractor** found to have violated this Article 37.4 may be directed to make payment of wages or supplements including interest found to be due, and the **Contractor** or **Subcontractor** may be directed to make payment of a further sum as a civil penalty in an amount not exceeding twenty-five (25%) percent of the total amount found to be due.

37.5 The **Contractor** and its **Subcontractors** shall within ten (10) **Days** after mailing of a Notice of Award or written order, post in prominent and conspicuous places in each and every plant, factory, building, and structure where employees of the **Contractor** and its **Subcontractors** engaged in the

performance of this **Contract** are employed, notices furnished by the **City**, in relation to prevailing wages and supplements, minimum wages, and other stipulations contained in Sections 220 and 220-h of the Labor Law, and the **Contractor** and its **Subcontractors** shall continue to keep such notices posted in such prominent and conspicuous places until **Final Acceptance** of the supplies, materials, equipment, or **Work**, labor, or services required to be furnished or rendered under this **Contract**.

37.6 The **Contractor** shall strictly comply with all of the provisions of Articles 37.6.1 through 37.6.5, and provide for all workers, laborers or mechanics in its employ, the following:

37.6.1 Notices Posted At **Site**: Post, in a location designated by the **City**, schedules of prevailing wages and supplements for this **Project**, a copy of all re-determinations of such schedules for the **Project**, the Workers' Compensation Law Section 51 notice, all other notices required by Law to be posted at the **Site**, the **City** notice that this **Project** is a public works project on which each worker is entitled to receive the prevailing wages and supplements for the occupation at which he or she is working, and all other notices which the **City** directs the **Contractor** to post. The **Contractor** shall provide a surface for such notices which is satisfactory to the **City**. The **Contractor** shall maintain and keep current such notices in a legible manner and shall replace any notice or schedule which is damaged, defaced, illegible or removed for any reason. The **Contractor** shall post such notices before commencing any **Work** on the **Site** and shall maintain such notices until all **Work** on the **Site** is complete; and

37.6.2 Daily **Site** Sign-in Sheets: Maintain daily **Site** sign-in sheets, and require that **Subcontractors** maintain daily **Site** sign-in sheets for its employees, which include blank spaces for an employee's name to be both printed and signed, job title, date started and Social Security number, the time the employee began work and the time the employee left work, until **Final Acceptance** of the supplies, materials, equipment, or **Work**, labor, or services to be furnished or rendered under this **Contract** unless exception is granted by the **Comptroller** upon application by the **Agency**. In the alternative, subject to the approval of the **CCPO**, the **Contractor** and **Subcontractor** may maintain an electronic or biometric sign-in system, which provides the information required by this Article 37.6.2; and

37.6.3 Individual Employee Information Notices: Distribute a notice to each worker, laborer or mechanic employed under this **Contract**, in a form provided by the **Agency**, that this **Project** is a public works project on which each worker, laborer or mechanic is entitled to receive the prevailing rate of wages and supplements for the occupation at which he or she is working. If the total cost of the **Work** under this **Contract** is at least two hundred fifty thousand (\$250,000) dollars, such notice shall also include a statement that each worker, laborer or mechanic must be certified prior to performing any **Work** as having successfully completed a course in construction safety and health approved by the United States Department of Labor's Occupational Safety and Health Administration that is at least ten (10) hours in duration. Such notice shall be distributed to each worker before he or she starts performing any **Work** of this **Contract** and with the first paycheck after July first of each year. "Worker, laborer or mechanic" includes employees of the **Contractor** and all **Subcontractors** and all employees of suppliers entering the **Site**. At the time of distribution, the **Contractor** shall have each worker, laborer or mechanic sign a statement, in a form provided by the **Agency**, certifying that the worker has received the notice required by this Article 37.6.3, which signed statement shall be maintained with the payroll records required by this **Contract**; and

37.6.3(a) The **Contractor** and each **Subcontractor** shall notify each worker, laborer or mechanic employed under this **Contract** in writing of the prevailing rate of

wages for their particular job classification. Such notification shall be given to every worker, laborer, and mechanic on their first pay stub and with every pay stub thereafter; and

37.6.4 **Site Laminated Identification Badges:** The **Contractor** shall provide laminated identification badges which include a photograph of the worker's, laborer's or mechanic's face and indicate the worker's, laborer's or mechanic's name, trade, employer's name, and employment starting date (month/day/year). Further, the **Contractor** shall require as a condition of employment on the **Site**, that each and every worker, laborer or mechanic wear the laminated identification badge at all times and that it may be seen by any representative of the **City**. The **Commissioner** may grant a written waiver from the requirement that the laminated identification badge include a photograph if the **Contractor** demonstrates that the identity of an individual wearing a laminated identification badge can be easily verified by another method; and

37.6.5 **Language Other Than English Used On Site:** Provide the **ACCO** notice when three (3) or more employees (worker and/or laborer and/or mechanic) on the **Site**, at any time, speak a language other than English. The **ACCO** will then provide the **Contractor** the notices described in Article 37.6.1 in that language or languages as may be required. The **Contractor** is responsible for all distributions under this Article 37; and

37.6.6 **Provision of Records:** The **Contractor** and **Subcontractor(s)** shall produce within five (5) **Days** on the **Site** of the **Work** and upon a written order of the **Engineer**, the **Commissioner**, the **ACCO**, the **Agency EAO**, or the **Comptroller**, such records as are required to be kept by this Article 37.6; and

37.6.7 The **Contractor** and **Subcontractor(s)** shall pay employees by check or direct deposit. If this **Contract** is for an amount greater than one million (\$1,000,000) dollars, checks issued by the **Contractor** to covered employees shall be generated by a payroll service or automated payroll system (an in-house system may be used if approved by the **Agency**). For any subcontract for an amount greater than seven hundred fifty thousand (\$750,000) dollars, checks issued by a **Subcontractor** to covered employees shall be generated by a payroll service or automated payroll system (an in-house system may be used if approved by the **Agency**); and

37.6.8 The failure of the **Contractor** or **Subcontractor(s)** to comply with the provisions of Articles 37.6.1 through 37.6.7 may result in the **Commissioner** declaring the **Contractor** in default and/or the withholding of payments otherwise due under the **Contract**.

37.7 The **Contractor** and its **Subcontractors** shall keep such employment and payroll records as are required by Section 220 of the Labor Law. The failure of the **Contractor** or **Subcontractor(s)** to comply with the provisions of this Article 37.7 may result in the **Commissioner** declaring the **Contractor** in default and/or the withholding of payments otherwise due under the **Contract**.

37.8 At the time the **Contractor** makes application for each partial payment and for final payment, the **Contractor** shall submit to the **Commissioner** a written payroll certification, in the form provided by this **Contract**, of compliance with the prevailing wage, minimum wage, and other provisions and stipulations required by Labor Law Section 220 and of compliance with the training requirements of Labor Law Section 220-h set forth in Article 35.2. This certification of compliance shall be a condition precedent to payment and no payment shall be made to the **Contractor** unless and until each such certification shall have been submitted to and received by the **Commissioner**.

37.9 This **Contract** is executed by the **Contractor** with the express warranty and representation that the **Contractor** is not disqualified under the provisions of Section 220 of the Labor Law from the award of the **Contract**.

37.10 Any breach or violation of any of the foregoing shall be deemed a breach or violation of a material provision of this **Contract**, and grounds for cancellation thereof by the **City**.

ARTICLE 38. PAYROLL REPORTS

38.1 The **Contractor** and its **Subcontractor(s)** shall maintain on the **Site** during the performance of the **Work** the original payrolls or transcripts thereof which the **Contractor** and its **Subcontractor(s)** are required to maintain and shall submit such original payrolls or transcripts, subscribed and affirmed by it as true, within thirty (30) **Days** after issuance of its first payroll, and every thirty (30) **Days** thereafter, pursuant to Labor Law Section 220(3-a)(a)(iii). The **Contractor** and **Subcontractor(s)** shall submit such original payrolls or transcripts along with each and every payment requisition. If payment requisitions are not submitted at least once a month, the **Contractor** and its **Subcontractor(s)** shall submit original payrolls and transcripts both along with its payment requisitions and independently of its payment requisitions.

38.2 The **Contractor** shall maintain payrolls or transcripts thereof for six (6) years from the date of completion of the **Work** on this **Contract**. If such payrolls and transcripts are maintained outside of New York City after the completion of the **Work** and their production is required pursuant to this Article 38, the **Contractor** shall produce such records in New York City upon request by the **City**.

38.3 The **Contractor** and **Subcontractor(s)** shall comply with any written order, direction, or request made by the **Engineer**, the **Commissioner**, the **ACCO**, the **Agency EAO**, the **Agency Labor Law Investigator(s)**, or the **Comptroller**, to provide to the requesting party any of the following information and/or records within five (5) **Days** of such written order, direction, or request:

38.3.1 Such original payrolls or transcripts thereof subscribed and affirmed by it as true and the statements signed by each worker pursuant to this Chapter VIII; and/or

38.3.2 Attendance sheets for each **Day** on which any employee of the **Contractor** and/or any of the **Subcontractor(s)** performed **Work** on the **Site**, which attendance sheet shall be in a form acceptable to the **Agency** and shall provide information acceptable to the **Agency** to identify each such employee; and/or

38.3.3 Any other information to satisfy the **Engineer**, the **Commissioner**, the **ACCO**, the **Agency EAO**, the **Agency Labor Law Investigator(s)** or the **Comptroller**, that this Chapter VIII and the Labor Law, as to the hours of employment and prevailing rates of wages and/or supplemental benefits, are being observed.

38.4 The failure of the **Contractor** or **Subcontractor(s)** to comply with the provisions of Articles 38.1 and/or 38.2 may result in the **Commissioner** declaring the **Contractor** in default and/or the withholding of payments otherwise due under the **Contract**.

ARTICLE 39. DUST HAZARDS

39.1 Should a harmful dust hazard be created in performing the **Work** of this **Contract**, for the elimination of which appliances or methods have been approved by the Board of Standards and Appeals

of the City of New York, such appliances and methods shall be installed, maintained, and effectively operated during the continuance of such harmful dust hazard. Failure to comply with this provision after notice shall make this **Contract** voidable at the sole discretion of the **City**.

CHAPTER IX: PARTIAL AND FINAL PAYMENTS

ARTICLE 40. CONTRACT PRICE

40.1 The **City** shall pay, and the **Contractor** agrees to accept, in full consideration for the **Contractor's** performance of the **Work** subject to the terms and conditions hereof, the lump sum price or unit prices for which this **Contract** was awarded, plus the amount required to be paid for any **Extra Work** ordered by the **Commissioner** under Article 25, less credit for any **Work** omitted pursuant to Article 29.

ARTICLE 41. BID BREAKDOWN ON LUMP SUM

41.1 Within fifteen (15) **Days** after the commencement date specified in the **Notice to Proceed** or **Order to Work**, unless otherwise directed by the **Resident Engineer**, the **Contractor** shall submit to the **Resident Engineer** a breakdown of its bid price, or of lump sums bid for items of the **Contract**, showing the various operations to be performed under the **Contract**, as directed in the progress schedule required under Article 9, and the value of each of such operations, the total of such items to equal the lump sum price bid. Said breakdown must be approved in writing by the **Resident Engineer**.

41.2 No partial payment will be approved until the **Contractor** submits a bid breakdown that is acceptable to the **Resident Engineer**.

41.3 The **Contractor** shall also submit such other information relating to the bid breakdown as directed by the **Resident Engineer**. Thereafter, the breakdown may be used only for checking the **Contractor's** applications for partial payments hereunder, but shall not be binding upon the **City**, the **Commissioner**, or the **Engineer** for any purpose whatsoever.

ARTICLE 42. PARTIAL PAYMENTS

42.1 From time to time as the **Work** progresses satisfactorily, but not more often than once each calendar month (except where the **Commissioner** approves in writing the submission of invoices on a more frequent basis and for invoices relating to **Work** performed pursuant to a change order), the **Contractor** may submit to the **Engineer** a requisition for a partial payment in the prescribed form, which shall contain an estimate of the quantity and the fair value of the **Work** done during the payment period.

42.2 Partial payments may be made for materials, fixtures, and equipment in advance of their actual incorporation in the **Work**, as the **Commissioner** may approve, and upon the terms and conditions set forth in the General Conditions.

42.3 The **Contractor** shall also submit to the **Commissioner** in connection with every application for partial payment a verified statement in the form prescribed by the **Comptroller** setting forth the information required under Labor Law Section 220-a.

42.4 Within thirty (30) **Days** after receipt of a satisfactory payment application, and within sixty (60) **Days** after receipt of a satisfactory payment application in relation to **Work** performed pursuant to a change order, the **Engineer** will prepare and certify, and the **Commissioner** will approve, a voucher for a partial payment in the amount of such approved estimate, less any and all deductions authorized to be made by the **Commissioner** under the terms of this **Contract** or by **Law**.

ARTICLE 43. PROMPT PAYMENT

43.1 The Prompt Payment provisions of the **PPB Rules** in effect at the time of the bid will be applicable to payments made under this **Contract**. The provisions require the payment to the **Contractor** of interest on payments made after the required payment date, except as set forth in the **PPB Rules**.

43.2 The **Contractor** shall submit a proper invoice to receive payment, except where the **Contract** provides that the **Contractor** will be paid at predetermined intervals without having to submit an invoice for each scheduled payment.

43.3 Determination of interest due will be made in accordance with the **PPB Rules**.

43.4 If the **Contractor** is paid interest, the proportionate share(s) of that interest shall be forwarded by the **Contractor** to its **Subcontractor(s)**.

43.5 The **Contractor** shall pay each **Subcontractor** or **Materialman** not later than seven (7) **Days** after receipt of payment out of amounts paid to the **Contractor** by the **City** for **Work** performed by the **Subcontractor** or **Materialman** under this **Contract**.

43.5.1 If **Contractor** fails to make any payment to any **Subcontractor** or **Materialman** within seven (7) **Days** after receipt of payment by the **City** pursuant to this Article 43.5, then the **Contractor** shall pay interest on amounts due to such **Subcontractor** or **Materialman** at the rate of interest in effect on the date such payment is made by the **Contractor** computed in accordance with Section 756-b (1)(b) of the New York General Business Law. Accrual of interest shall commence on the **Day** immediately following the expiration of the seventh **Day** following receipt of payment by the **Contractor** from the **City** and shall end on the date on which payment is made.

43.6 The **Contractor** shall include in each of its subcontracts a provision requiring each **Subcontractor** to make payment to each of its **Subcontractors** or **Materialmen** for **Work** performed under this **Contract** in the same manner and within the same time period set forth above.

ARTICLE 44. SUBSTANTIAL COMPLETION PAYMENT

44.1 The **Contractor** shall submit with the **Substantial Completion** requisition:

44.1.1 A final verified statement of any pending Article 27 disputes in accordance with the **PPB Rules** and this **Contract** and any and all alleged claims against the **City**, in any way connected with or arising out of this **Contract** (including those as to which details may have been furnished pursuant to Articles 11, 27, 28, and 30) setting forth with respect to each such claim the total amount thereof, the various items of labor and materials included therein, and the alleged value of each item; and if the alleged claim be one for delay, the alleged cause of each such delay, the period or periods of time, giving the dates when the

Contractor claims the performance of the **Work** or a particular part thereof was delayed, and an itemized statement and breakdown of the amount claimed for each such delay.

44.1.1(a) With respect to each such claim, the **Commissioner**, the **Comptroller** and, in the event of litigation, the **City Corporation Counsel** shall have the same right to inspect, and to make extracts or copies of, the **Contractor's** books, vouchers, records, etc., as is referred to in Articles 11, 27, 28, and 30. Nothing contained in this Article 44.1.1(a) is intended to or shall relieve the **Contractor** from the obligation of complying strictly with Articles 11, 27, 28, and 30. The **Contractor** is warned that unless such claims are completely set forth as herein required, the **Contractor** upon acceptance of the **Substantial Completion** payment pursuant to this Article 44, will have waived any such claims.

44.1.2 **A Final Approved Punch List.**

44.1.3 Where required, a request for an extension of time to achieve **Substantial Completion** or final extension of time.

44.2 The **Commissioner** shall issue a voucher calling for payment of any part or all of the balance due for **Work** performed under the **Contract**, including monies retained under Article 21, less any and all deductions authorized to be made by the **Commissioner**, under this **Contract** or by **Law**, and less twice the amount the **Commissioner** considers necessary to ensure the completion of the balance of the **Work** by the **Contractor**. Such a payment shall be considered a partial and not a final payment. No **Substantial Completion** payment shall be made under this Article 44 where the **Contractor** failed to complete the **Work** within the time fixed for such completion in the Schedule A of the General Conditions, or within the time to which completion may have been extended, until an extension or extensions of time for the completion of **Work** have been acted upon pursuant to Article 13.

44.3 No further partial payments shall be made to the **Contractor** after **Substantial Completion**, except the **Substantial Completion** payment and payment pursuant to any **Contractor's** requisition that were properly filed with the **Commissioner** prior to the date of **Substantial Completion**; however, the **Commissioner** may grant a waiver for further partial payments after the date of **Substantial Completion** to permit payments for change order **Work** and/or release of retainage and deposits pursuant to Articles 21 and 24. Such waiver shall be in writing.

44.4 The **Contractor** acknowledges that nothing contained in this Article 44 is intended to or shall in any way diminish the force and effect of Article 13.

ARTICLE 45. FINAL PAYMENT

45.1 After completion and **Final Acceptance** of the **Work**, the **Contractor** shall submit all required certificates and documents, together with a requisition for the balance claimed to be due under the **Contract**, less the amount authorized to be retained for maintenance under Article 24. Such submission shall be within 90 days of the date of the **Commissioner's** written determination of **Final Acceptance**, or within such additional time as may be granted by the **Commissioner** in writing. If the **Contractor** fails to submit all required certificates and documents within the time allowed, no payment of the balance claimed shall be made to the **Contractor** and the **Contractor** shall be deemed to have forfeited its right to payment of any balance claimed. A verified statement similar to that required in connection with applications for partial payments shall also be submitted to the **Commissioner**.

45.2 Amended Verified Statement of Claims: The **Contractor** shall also submit with the final requisition any amendments to the final verified statement of any pending dispute resolution procedures in accordance with the **PPB** Rules and this **Contract** and any and all alleged claims against the **City**, in any way connected with or arising out of this **Contract** (including those as to which details may have been furnished pursuant to Articles 11, 27, 28, and 30) that have occurred subsequent to **Substantial Completion**, setting forth with respect to each such claim the total amount thereof, the various items of labor and materials included therein, and the alleged value of each such item; and if the alleged claim be one for delay, the alleged cause of each such delay, the period or periods of time, giving the dates when the **Contractor** claims the performance of the **Work** or a particular part thereof was delayed, and an itemized statement and breakdown of the amount claimed for each such delay. With reference to each such claim, the **Commissioner**, the **Comptroller** and, in the event of litigation, the **City Corporation Counsel** shall have the same right to inspect, and to make extracts or copies of, the **Contractor's** books, vouchers, records, etc., as is referred to in Articles 11, 27, 28, and 30. Nothing contained in this Article 45.2, is intended to or shall relieve the **Contractor** from the obligation of complying strictly with Articles 11, 27, 28, and 30. The **Contractor** is warned that unless such claims are completely set forth as herein required, the **Contractor**, upon acceptance of the Final Payment pursuant to Article 46, will have waived any such claims.

45.3 Preparation of Final Voucher: Upon determining the balance due hereunder other than on account of claims, the **Engineer** will prepare and certify, for the **Commissioner's** approval, a voucher for final payment in that amount less any and all deductions authorized to be made by the **Commissioner** under this **Contract** or by **Law**. In the case of a lump sum **Contract**, the **Commissioner** shall certify the voucher for final payment within thirty (30) **Days** from the date of completion and acceptance of the **Work**, provided all requests for extensions of time have been acted upon.

45.3.1 All prior certificates and vouchers upon which partial payments were made, being merely estimates made to enable the **Contractor** to prosecute the **Work** more advantageously, shall be subject to correction in the final voucher, and the certification of the **Engineer** thereon and the approval of the **Commissioner** thereof, shall be conditions precedent to the right of the **Contractor** to receive any money hereunder. Such final voucher shall be binding and conclusive upon the **Contractor**.

45.3.2 Payment pursuant to such final voucher, less any deductions authorized to be made by the **Commissioner** under this **Contract** or by **Law**, shall constitute the final payment, and shall be made by the **Comptroller** within thirty (30) **Days** after the filing of such voucher in his/her office.

45.4 The **Contractor** acknowledges that nothing contained in this Article 45 is intended to or shall in any way diminish the force and effect of Article 13.

ARTICLE 46. ACCEPTANCE OF FINAL PAYMENT

46.1 The acceptance by the **Contractor**, or by anyone claiming by or through it, of the final payment, whether such payment be made pursuant to any judgment of any court, or otherwise, shall constitute and operate as a release of the **City** from any and all claims of and liability to the **Contractor** for anything heretofore done or furnished for the **Contractor** relating to or arising out of this **Contract** and the **Work** done hereunder, and for any prior act, neglect or default on the part of the **City** or any of its officials, agents or employees, excepting only a claim against the **City** for the amounts deducted or retained in accordance with the terms and provisions of this **Contract** or by **Law**, and excepting any claims, not otherwise waived, or any pending dispute resolution procedures which are contained in the

verified statement filed with the **Contractor's** substantial and final requisitions pursuant to Articles 44 and 45.

46.2 The **Contractor** is warned that the execution by it of a release, in connection with the acceptance of the final payment, containing language purporting to reserve claims other than those herein specifically excepted from the operation of this Article 46, or those for amounts deducted by the **Commissioner** from the final requisition or from the final payment as certified by the **Engineer** and approved by the **Commissioner**, shall not be effective to reserve such claims, anything stated to the **Contractor** orally or in writing by any official, agent or employee of the **City** to the contrary notwithstanding.

46.3 Should the **Contractor** refuse to accept the final payment as tendered by the **Comptroller**, it shall constitute a waiver of any right to interest thereon.

46.4 The **Contractor**, however, shall not be barred by this Article 46 from commencing an action for breach of **Contract** to the extent permitted by **Law** and by the terms of the **Contract** for any claims that are contained in the verified statement filed with the **Contractor's** substantial and final requisitions pursuant to Articles 44 and 45 or that arose after submission of the final payment requisition, provided that a detailed and verified statement of claim is served upon the contracting **Agency** and **Comptroller** not later than forty (40) **Days** after the making of such final payment by electronic funds transfer (EFT) or the mailing of such final payment. The statement shall specify the items upon which the claim will be based and any such claim shall be limited to such items.

ARTICLE 47. APPROVAL BY PUBLIC DESIGN COMMISSION

47.1 All works of art, including paintings, mural decorations, stained glass, statues, bas-reliefs, and other sculptures, monuments, fountains, arches, and other structures of a permanent character intended for ornament or commemoration, and every design of the same to be used in the performance of this **Contract**, and the design of all bridges, approaches, buildings, gates, fences, lamps, or structures to be erected, pursuant to the terms of this **Contract**, shall be submitted to the Art Commission, d/b/a the Public Design Commission of the City of New York, and shall be approved by the Public Design Commission prior to the erection or placing in position of the same. The final payment shall not become due or payable under this **Contract** unless and until the Public Design Commission shall certify that the design for the **Work** herein contracted for has been approved by the said Public Design Commission, and that the same has been executed in substantial accordance with the design so approved, pursuant to the provisions of Chapter 37, Section 854 of the **City Charter**, as amended.

CHAPTER X: CONTRACTOR'S DEFAULT

ARTICLE 48. COMMISSIONER'S RIGHT TO DECLARE CONTRACTOR IN DEFAULT

48.1 In addition to those instances specifically referred to in other Articles herein, the **Commissioner** shall have the right to declare the **Contractor** in default of this **Contract** if:

48.1.1 The **Contractor** fails to commence **Work** when notified to do so by the **Commissioner**; or if

48.1.2 The **Contractor** shall abandon the **Work**; or if

48.1.3 The **Contractor** shall refuse to proceed with the **Work** when and as directed by the **Commissioner**; or if

48.1.4 The **Contractor** shall, without just cause, reduce its working force to a number which, if maintained, would be insufficient, in the opinion of the **Commissioner**, to complete the **Work** in accordance with the progress schedule; or if

48.1.5 The **Contractor** shall fail or refuse to increase sufficiently such working force when ordered to do so by the **Commissioner**; or if

48.1.6 The **Contractor** shall sublet, assign, transfer, convert or otherwise dispose of this **Contract** other than as herein specified; or sell or assign a majority interest in the **Contractor**; or if

48.1.7 The **Contractor** fails to secure and maintain all required insurance; or if

48.1.8 A receiver or receivers are appointed to take charge of the **Contractor's** property or affairs; or if

48.1.9 The **Commissioner** shall be of the opinion that the **Contractor** is or has been unnecessarily or unreasonably or willfully delaying the performance and completion of the **Work**, or the award of necessary subcontracts, or the placing of necessary material and equipment orders; or if

48.1.10 The **Commissioner** shall be of the opinion that the **Contractor** is or has been willfully or in bad faith violating any of the provisions of this **Contract**; or if

48.1.11 The **Commissioner** shall be of the opinion that the **Work** cannot be completed within the time herein provided therefor or within the time to which such completion may have been extended; provided, however, that the impossibility of timely completion is, in the **Commissioner's** opinion, attributable to conditions within the **Contractor's** control; or if

48.1.12 The **Work** is not completed within the time herein provided therefor or within the time to which the **Contractor** may be entitled to have such completion extended; or if

48.1.13 Any statement or representation of the **Contractor** in the **Contract** or in any document submitted by the **Contractor** with respect to the **Work**, the **Project**, or the **Contract** (or for purposes of securing the **Contract**) was untrue or incorrect when made; or if

48.1.14 The **Contractor** or any of its officers, directors, partners, five (5%) percent shareholders, principals, or other persons substantially involved in its activities, commits any of the acts or omissions specified as the grounds for debarment in the **PPB Rules**.

48.2 Before the **Commissioner** shall exercise his/her right to declare the **Contractor** in default, the **Commissioner** shall give the **Contractor** an opportunity to be heard, upon not less than two (2) **Days'** notice.

ARTICLE 49. EXERCISE OF THE RIGHT TO DECLARE DEFAULT

49.1 The right to declare the **Contractor** in default for any of the grounds specified or referred to in Article 48 shall be exercised by sending the **Contractor** a notice, signed by the **Commissioner**, setting forth the ground or grounds upon which such default is declared (hereinafter referred to as a "Notice of Default").

49.2 The **Commissioner's** determination that the **Contractor** is in default shall be conclusive, final, and binding on the parties and such a finding shall preclude the **Contractor** from commencing a plenary action for any damages relating to the **Contract**. If the **Contractor** protests the determination of the **Commissioner**, the **Contractor** may commence an action in a court of competent jurisdiction of the State of New York under Article 78 of the New York Civil Practice Law and Rules.

ARTICLE 50. QUITTING THE SITE

50.1 Upon receipt of such notice the **Contractor** shall immediately discontinue all further operations under this **Contract** and shall immediately quit the **Site**, leaving untouched all plant, materials, equipment, tools, and supplies then on the **Site**.

ARTICLE 51. COMPLETION OF THE WORK

51.1 The **Commissioner**, after declaring the **Contractor** in default, may then have the **Work** completed by such means and in such manner, by contract with or without public letting, or otherwise, as he/she may deem advisable, utilizing for such purpose such of the **Contractor's** plant, materials, equipment, tools, and supplies remaining on the **Site**, and also such **Subcontractors**, as he/she may deem advisable.

51.2 After such completion, the **Commissioner** shall make a certificate stating the expense incurred in such completion, which shall include the cost of re-letting and also the total amount of liquidated damages (at the rate provided for in the **Contract**) from the date when the **Work** should have been completed by the **Contractor** in accordance with the terms hereof to the date of actual completion of the **Work**. Such certificate shall be binding and conclusive upon the **Contractor**, its sureties, and any person claiming under the **Contractor**, as to the amount thereof.

51.3 The expense of such completion, including any and all related and incidental costs, as so certified by the **Commissioner**, and any liquidated damages assessed against the **Contractor**, shall be charged against and deducted out of monies which are earned by the **Contractor** prior to the date of default. Should the expense of such completion, as certified by the **Commissioner**, exceed the total sum which would have been payable under the **Contract** if it had been completed by the **Contractor**, any excess shall be paid by the **Contractor**.

ARTICLE 52. PARTIAL DEFAULT

52.1 In case the **Commissioner** shall declare the **Contractor** in default as to a part of the **Work** only, the **Contractor** shall discontinue such part, shall continue performing the remainder of the **Work** in strict conformity with the terms of this **Contract**, and shall in no way hinder or interfere with any **Other Contractor(s)** or persons whom the **Commissioner** may engage to complete the **Work** as to which the **Contractor** was declared in default.

52.2 The provisions of this Chapter relating to declaring the **Contractor** in default as to the entire **Work** shall be equally applicable to a declaration of partial default, except that the **Commissioner** shall be entitled to utilize for completion of the part of the **Work** as to which the **Contractor** was declared in default only such plant, materials, equipment, tools, and supplies as had been previously used by the **Contractor** on such part.

ARTICLE 53. PERFORMANCE OF UNCOMPLETED WORK

53.1 In completing the whole or any part of the **Work** under the provisions of this Chapter X, the **Commissioner** shall have the power to depart from or change or vary the terms and provisions of this **Contract**, provided, however, that such departure, change or variation is made for the purpose of reducing the time or expense of such completion. Such departure, change or variation, even to the extent of accepting a lesser or different performance, shall not affect the conclusiveness of the **Commissioner's** certificate of the cost of completion referred to in Article 51, nor shall it constitute a defense to an action to recover the amount by which such certificate exceeds the amount which would have been payable to the **Contractor** hereunder but for its default.

ARTICLE 54. OTHER REMEDIES

54.1 In addition to the right to declare the **Contractor** in default pursuant to this Chapter X, the **Commissioner** shall have the absolute right, in his/her sole discretion and without a hearing, to complete or cause to be completed in the same manner as described in Articles 51 and 53, any or all unsatisfactory or uncompleted punch list **Work** that remains after the completion date specified in the **Final Approved Punch List**. A written notice of the exercise of this right shall be sent to the **Contractor** who shall immediately quit the **Site** in accordance with the provisions of Article 50.

54.2 The expense of completion permitted under Article 54.1, including any and all related and incidental costs, as so certified by the **Commissioner**, shall be charged against and deducted out of monies which have been earned by the **Contractor** prior to the date of the exercise of the right set forth in Article 54.1; the balance of such monies, if any, subject to the other provisions of this **Contract**, to be paid to the **Contractor** without interest after such completion. Should the expense of such completion, as certified by the **Commissioner**, exceed the total sum which would have been payable under the **Contract** if it had been completed by the **Contractor**, any excess shall be paid by the **Contractor**.

54.3 The previous provisions of this Chapter X shall be in addition to any and all other remedies available under **Law** or in equity.

54.4 The exercise by the **City** of any remedy set forth herein shall not be deemed a waiver by the **City** of any other legal or equitable remedy contained in this **Contract** or provided under **Law**.

CHAPTER XI: MISCELLANEOUS PROVISIONS

ARTICLE 55. CONTRACTOR'S WARRANTIES

55.1 In consideration of, and to induce, the award of this **Contract** to the **Contractor**, the **Contractor** represents and warrants:

55.1.1 That it is financially solvent, sufficiently experienced and competent to perform the **Work**; and

55.1.2 That the facts stated in its bid and the information given by it pursuant to the Information for Bidders is true and correct in all respects; and

55.1.3 That it has read and complied with all requirements set forth in the **Contract**.

ARTICLE 56. CLAIMS AND ACTIONS THEREON

56.1 Any claim, that is not subject to dispute resolution under the **PPB** Rules or this **Contract**, against the **City** for damages for breach of **Contract** shall not be made or asserted in any action, unless the **Contractor** shall have strictly complied with all requirements relating to the giving of notice and of information with respect to such claims, as herein before provided.

56.2 Nor shall any action be instituted or maintained on any such claims unless such action is commenced within six (6) months after **Substantial Completion**; except that:

56.2.1 Any claims arising out of events occurring after **Substantial Completion** and before **Final Acceptance** of the **Work** shall be asserted within six (6) months of **Final Acceptance** of the **Work**;

56.2.2 If the **Commissioner** exercises his/her right to complete or cause to complete any or all unsatisfactory or uncompleted punch list **Work** that remains after the completion date specified in the **Final Approved Punch List** pursuant to Article 54, any such action shall be commenced within six (6) months from the date the **Commissioner** notifies the **Contractor** in writing that he/she has exercised such right. Any claims for monies deducted, retained or withheld under the provisions of this **Contract** shall be asserted within six (6) months after the date when such monies otherwise become due and payable hereunder; and

56.2.3 If the **Commissioner** exercises his/her right to terminate the **Contract** pursuant to Article 64, any such action shall be commenced within six (6) months of the date the **Commissioner** exercises said right.

ARTICLE 57. INFRINGEMENT

57.1 The **Contractor** shall be solely responsible for and shall defend, indemnify, and hold the **City** harmless from any and all claims (even if the allegations of the lawsuit are without merit) and judgments for damages and from costs and expenses to which the **City** may be subject to or which it may suffer or incur allegedly arising out of or in connection with any infringement by the **Contractor** of any copyright, trade secrets, trademark or patent rights or any other property or personal right of any third party by the **Contractor** and/or its **Subcontractors** in the performance or completion of the **Work**. Insofar as the facts or **Law** relating to any claim would preclude the **City** from being completely indemnified by the **Contractor**, the **City** shall be partially indemnified by the **Contractor** to the fullest extent permitted by **Law**.

ARTICLE 58. NO CLAIM AGAINST OFFICIALS, AGENTS OR EMPLOYEES

58.1 No claim whatsoever shall be made by the **Contractor** against any official, agent or employee of the **City** for, or on account of, anything done or omitted to be done in connection with this **Contract**.

ARTICLE 59. SERVICE OF NOTICES

59.1 The **Contractor** hereby designates the business address, fax number, and email address specified in its bid, as the place where all notices, directions or other communications to the **Contractor** may be delivered, or to which they may be mailed. Any notice, direction, or communication from either party to the other shall be in writing and shall be deemed to have been given when (i) delivered personally; (ii) sent by certified mail, return receipt requested; (iii) delivered by overnight or same day courier service in a properly addressed envelope with confirmation; or (iv) sent by fax or email and, unless receipt of the fax or e-mail is acknowledged by the recipient by fax or e-mail, deposited in a post office box regularly maintained by the United States Postal Service in a properly addressed, postage pre-paid envelope.

59.2 **Contractor's** notice address, email address, or fax number may be changed at any time by an instrument in writing, executed and acknowledged by the **Contractor**, and delivered to the **Commissioner**.

59.3 Nothing herein contained shall, however, be deemed to preclude or render inoperative the service of any notice, direction or other communication upon the **Contractor** personally, or, if the **Contractor** is a corporation, upon any officer thereof.

ARTICLE 60. UNLAWFUL PROVISIONS DEEMED STRICKEN FROM CONTRACT

60.1 If this **Contract** contains any unlawful provision not an essential part of the **Contract** and which shall not appear to have been a controlling or material inducement to the making thereof, the same shall be deemed of no effect and shall, upon notice by either party, be deemed stricken from the **Contract** without affecting the binding force of the remainder.

ARTICLE 61. ALL LEGAL PROVISIONS DEEMED INCLUDED

61.1 It is the intent and understanding of the parties to this **Contract** that each and every provision of **Law** required to be inserted in this **Contract** shall be and is inserted herein. Furthermore, it is hereby stipulated that every such provision is to be deemed to be inserted herein, and if, through mistake or otherwise, any such provision is not inserted, or is not inserted in correct form, then this **Contract** shall forthwith upon the application of either party be amended by such insertion so as to comply strictly with the **Law** and without prejudice to the rights of either party hereunder.

ARTICLE 62. TAX EXEMPTION

62.1 The **City** is exempt from payment of Federal, State, and local taxes, including sales and compensating use taxes of the State of New York and its cities and counties on all tangible personal property sold to the **City** pursuant to the provisions of this **Contract**. These taxes are not to be included in bids. However, this exemption does not apply to tools, machinery, equipment or other property leased by or to the **Contractor**, **Subcontractor** or **Materialman** or to tangible personal property which, even

though it is consumed, is not incorporated into the completed **Work** (consumable supplies) and tangible personal property that the **Contractor** is required to remove from the **Site** during or upon completion of the **Work**. The **Contractor** and its **Subcontractors** and **Materialmen** shall be responsible for and pay any and all applicable taxes, including sales and compensating use taxes, on such leased tools, machinery, equipment or other property and upon all such consumable supplies and tangible personal property that the **Contractor** is required to remove from the **Site** during or upon completion of the **Work**.

62.2 The **Contractor** agrees to sell and the **City** agrees to purchase all tangible personal property, other than consumable supplies and other tangible personal property that the **Contractor** is required to remove from the **Site** during or upon completion of the **Work**, that is required, necessary or proper for or incidental to the construction of the **Project** covered by this **Contract**. The sum paid under this **Contract** for such tangible personal property shall be in full payment and consideration for the sale of such tangible personal property.

62.2.1 The **Contractor** agrees to construct the **Project** and to perform all **Work**, labor and services rendered, necessary, proper or incidental thereto for the sum shown in the bid for the performance of such **Work**, labor, and services, and the sum so paid pursuant to this **Contract** for such **Work**, labor, and services, shall be in full consideration for the performance by the **Contractor** of all its duties and obligations under this **Contract** in connection with said **Work**, labor, and services.

62.3 20 NYCRR Section 541.3(d) provides that a **Contractor's** purchases of tangible personal property that is either incorporated into real property owned by a governmental entity or purchased for and sold to a governmental entity are exempt from sales and use tax. The **City** shall not pay sales tax for any such tangible personal property that it purchases from the **Contractor** pursuant to the **Contract**. With respect to such tangible personal property, the **Contractor**, at the request of the **City**, shall furnish to the **City** such bills of sale and other instruments as may be required by the **City**, properly executed, acknowledged and delivered assuring to the **City** title to such tangible personal property, free of liens and/or encumbrances, and the **Contractor** shall mark or otherwise identify all such tangible personal property as the property of the **City**.

62.4 Title to all tangible personal property to be sold by the **Contractor** to the **City** pursuant to the provisions of the **Contract** shall immediately vest in and become the sole property of the **City** upon delivery of such tangible personal property to the **Site**. Notwithstanding such transfer of title, the **Contractor** shall have the full and continuing responsibility to install such tangible personal property in accordance with the provisions of this **Contract**, protect it, maintain it in a proper condition and forthwith repair, replace and make good any damage thereto, theft or disappearance thereof, and furnish additional tangible personal property in place of any that may be lost, stolen or rendered unusable, without cost to the **City**, until such time as the **Work** covered by the **Contract** is fully accepted by the **City**. Such transfer of title shall in no way affect any of the **Contractor's** obligations hereunder. In the event that, after title has passed to the **City**, any of the tangible personal property is rejected as being defective or otherwise unsatisfactory, title to all such tangible personal property shall be deemed to have been transferred back to the **Contractor**.

62.5 The purchase by **Subcontractors** or **Materialmen** of tangible personal property to be sold hereunder shall be a purchase or procurement for resale to the **Contractor** (either directly or through other **Subcontractors**) and therefore not subject to the aforesaid sales and compensating use taxes, provided that the subcontracts and purchase agreements provide for the resale of such tangible personal property and that such subcontracts and purchase agreements are in a form similar to this **Contract** with respect to the separation of the sale of consumable supplies and tangible personal property that the

Contractor is required to remove from the **Site** during or upon completion of the **Work** from the **Work** and labor, services, and any other matters to be provided, and provided further that the subcontracts and purchase agreements provide separate prices for tangible personal property and all other services and matters. Such separation shall actually be followed in practice, including the separation of payments for tangible personal property from the payments for other **Work** and labor and other things to be provided.

62.6 The **Contractor** and its **Subcontractors** and **Materialmen** shall furnish a **Contractor Exempt Purchase Certificate** to all persons, firms or corporations from which they purchase tangible personal property for the performance of the **Work** covered by this **Contract**.

62.7 In the event any of the provisions of this Article 62 shall be deemed to be in conflict with any other provisions of this **Contract** or create any ambiguity, then the provisions of this Article 62 shall control.

ARTICLE 63. INVESTIGATION(S) CLAUSE

63.1 The parties to this **Contract** agree to cooperate fully and faithfully with any investigation, audit or inquiry conducted by a United States, a State of New York (State) or a **City** governmental agency or authority that is empowered directly or by designation to compel the attendance of witnesses and to examine witnesses under oath, or conducted by the Inspector General of a governmental agency that is a party in interest to the transaction, submitted bid, submitted proposal, contract, lease, permit or license that is the subject of the investigation, audit or inquiry.

63.2 If any person who has been advised that his/her statement, and any information from such statement, will not be used against him/her in any subsequent criminal proceeding refuses to testify before a grand jury or other governmental agency or authority empowered directly or by designation to compel the attendance of witnesses and to examine witnesses under oath concerning the award of or performance under any transaction, agreement, lease, permit, contract, or license entered into with the **City**, the State, or any political subdivision or public authority thereof, or the Port Authority of New York and New Jersey, or any local development corporation within the **City**, or any public benefit corporation organized under the Laws of the State of New York, or;

63.3 If any person refuses to testify for a reason other than the assertion of his/her privilege against self incrimination in an investigation, audit or inquiry conducted by a **City** or State governmental agency or authority empowered directly or by designation to compel the attendance of witnesses and to take testimony under oath, or by the Inspector General of the governmental agency that is a party in interest in, and is seeking testimony concerning the award of, or performance under any transaction, agreement, lease, permit, contract, or license entered into with the **City**, the State, or any political subdivision thereof or any local development corporation within the **City**, then;

63.4 The **Commissioner** whose **Agency** is a party in interest to the transaction, submitted bid, submitted proposal, contract, lease, permit, or license shall convene a hearing, upon not less than five (5) **Days'** written notice to the parties involved to determine if any penalties should attach for the failure of a person to testify.

63.5 If any non-governmental party to the hearing requests an adjournment, the **Commissioner** who convened the hearing may, upon granting the adjournment, suspend any contract, lease, permit, or license, pending the final determination pursuant to Article 63.7 without the **City** incurring any penalty or damages for delay or otherwise.

63.6 The penalties which may attach after a final determination by the **Commissioner** may include but shall not exceed:

63.6.1 The disqualification for a period not to exceed five (5) years from the date of an adverse determination for any person, or any entity of which such person was a member at the time the testimony was sought, from submitting bids for, or transacting business with, or entering into or obtaining any contract, lease, permit or license with or from the **City**; and/or

63.6.2 The cancellation or termination of any and all such existing **City** contracts, leases, permits or licenses that the refusal to testify concerns and that have not been assigned as permitted under this **Contract**, nor the proceeds of which pledged, to an unaffiliated and unrelated institutional lender for fair value prior to the issuance of the notice scheduling the hearing, without the **City** incurring any penalty or damages on account of such cancellation or termination; monies lawfully due for goods delivered, work done, rentals, or fees accrued prior to the cancellation or termination shall be paid by the **City**.

63.7 The **Commissioner** shall consider and address in reaching his/her determination and in assessing an appropriate penalty the factors in Articles 63.7.1 and 63.7.2. The **Commissioner** may also consider, if relevant and appropriate, the criteria established in Articles 63.7.3 and 63.7.4, in addition to any other information which may be relevant and appropriate:

63.7.1 The party's good faith endeavors or lack thereof to cooperate fully and faithfully with any governmental investigation or audit, including but not limited to the discipline, discharge, or disassociation of any person failing to testify, the production of accurate and complete books and records, and the forthcoming testimony of all other members, agents, assignees or fiduciaries whose testimony is sought.

63.7.2 The relationship of the person who refused to testify to any entity that is a party to the hearing, including but not limited to, whether the person whose testimony is sought has an ownership interest in the entity and/or the degree of authority and responsibility the person has within the entity.

63.7.3 The nexus of the testimony sought to the subject entity and its contracts, leases, permits or licenses with the **City**.

63.7.4 The effect a penalty may have on an unaffiliated and unrelated party or entity that has a significant interest in an entity subject to penalties under Article 63.6, provided that the party or entity has given actual notice to the **Commissioner** upon the acquisition of the interest, or at the hearing called for in Article 63.4, gives notice and proves that such interest was previously acquired. Under either circumstance the party or entity shall present evidence at the hearing demonstrating the potential adverse impact a penalty will have on such person or entity.

63.8 Definitions:

63.8.1 The term "license" or "permit" as used in this Article 63 shall be defined as a license, permit, franchise or concession not granted as a matter of right.

63.8.2 The term "person" as used in this Article 63 shall be defined as any natural person doing business alone or associated with another person or entity as a partner, director, officer, principal or employee.

63.8.3 The term "entity" as used in this Article 63 shall be defined as any firm, partnership, corporation, association, joint venture, or person that receives monies, benefits, licenses, leases, or permits from or through the City or otherwise transacts business with the City.

63.8.4 The term "member" as used in this Article 63 shall be defined as any person associated with another person or entity as a partner, director, officer, principal or employee.

63.9 In addition to and notwithstanding any other provision of this **Contract**, the **Commissioner** may in his/her sole discretion terminate this **Contract** upon not less than three (3) **Days'** written notice in the event the **Contractor** fails to promptly report in writing to the **Commissioner** of the Department of Investigations ("DOI") of the **City** any solicitation of money, goods, requests for future employment or other benefit or thing of value, by or on behalf of any employee of the **City** or other person, firm, corporation or entity for any purpose which may be related to the procurement or obtaining of this **Contract** by the **Contractor**, or affecting the performance of this **Contract**.

ARTICLE 64. TERMINATION BY THE CITY

64.1 In addition to termination pursuant to any other article of this **Contract**, the **Commissioner** may, at any time, terminate this **Contract** by written notice to the **Contractor**. In the event of termination, the **Contractor** shall, upon receipt of such notice, unless otherwise directed by the **Commissioner**:

64.1.1 Stop **Work** on the date specified in the notice;

64.1.2 Take such action as may be necessary for the protection and preservation of the **City's** materials and property;

64.1.3 Cancel all cancelable orders for material and equipment;

64.1.4 Assign to the **City** and deliver to the **Site** or another location designated by the **Commissioner**, any non-cancelable orders for material and equipment that is not capable of use except in the performance of this **Contract** and has been specifically fabricated for the sole purpose of this **Contract** and not incorporated in the **Work**;

64.1.5 Take no action which will increase the amounts payable by the **City** under this **Contract**.

64.2 In the event of termination by the **City** pursuant to this Article 64, payment to the **Contractor** shall be in accordance with Articles 64.2.1, 64.2.2 or 64.2.3, to the extent that each respective article applies.

64.2.1 Lump Sum Contracts or Items: On all lump sum **Contracts**, or on lump sum items in a **Contract**, the **City** will pay the **Contractor** the sum of the amounts described in Articles 64.2.1(a) and 64.2.1(b), less all payments previously made pursuant to this **Contract**. On lump sum **Contracts** only, the **City** will also pay the **Contractor** an additional sum as provided in Article 64.2.1(c).

64.2.1(a) For **Work** completed prior to the notice of termination, the **Contractor** shall be paid a pro rata portion of the lump sum bid amount, plus approved change orders, based upon the percent completion of the **Work**, as determined by the

Commissioner. For the purpose of determining the pro rata portion of the lump sum bid amount to which the **Contractor** is entitled, the bid breakdown submitted in accordance with Article 41 shall be considered, but shall not be dispositive. The **Commissioner's** determination hereunder shall be final, binding, and conclusive.

64.2.1(b) For non-cancelable material and equipment that is not capable of use except in the performance of this **Contract** and has been specifically fabricated for the sole purpose of this **Contract**, but not yet incorporated in the **Work**, the **Contractor** shall be paid the lesser of the following, less salvage value:

64.2.1(b)(i) The Direct Cost, as defined in Article 64.2.4; or

64.2.1(b)(ii) The fair and reasonable value, if less than Direct Cost, of such material and equipment, plus necessary and reasonable delivery costs.

64.2.1(b)(iii) In addition, the **Contractor** shall be paid five (5%) percent of the amount described in Article 64.2.1(b)(i) or Article 64.2.1(b)(ii), whichever applies.

64.2.1(c) Except as otherwise provided in Article 64.2.1(d), on all lump sum **Contracts**, the **Contractor** shall be paid the percentage indicated below applied to the difference between the total lump sum bid amount and the total of all payments made prior to the notice of termination plus all payments allowed pursuant to Articles 64.2.1(a) and 64.2.1(b):

64.2.1(c)(i) Five (5%) percent of the first five million (\$5,000,000) dollars; and

64.2.1(c)(ii) Three (3%) percent of any amount between five million (\$5,000,000) dollars and fifteen million (\$15,000,000) dollars; plus

64.2.1(c)(iii) One (1%) percent of any amount over fifteen million (\$15,000,000) dollars.

64.2.1(d) In the event the **City** terminates a lump sum **Contract** pursuant to this Article 64 within ninety (90) **Days** after registration of the **Contract** with the **Comptroller**, the **Contractor** shall be paid one (1%) percent of the difference between the lump sum bid amount and the total of all payments made pursuant to this Article 64.2.

64.2.2 Unit Price Contracts or Items: On all unit price **Contracts**, or on unit price items in a **Contract**, the **City** will pay the **Contractor** the sum of the amounts described in Articles 64.2.2(a) and 64.2.2(b), less all payments previously made pursuant to this **Contract**:

64.2.2(a) For all completed units, the unit price stated in the **Contract**, and

64.2.2(b) For units that have been ordered but are only partially completed, the **Contractor** will be paid:

64.2.2(b)(i) A pro rata portion of the unit price stated in the **Contract** based upon the percent completion of the unit and

64.2.2(b)(ii) For non-cancelable material and equipment, payment will be made pursuant to Article 64.2.1(b).

64.2.3 Time and Materials Contracts or Items Based on Time and Material Records: On all **Contracts** or items in a **Contract** where payment for the **Work** is based on time and material records, the **Contractor** shall be paid in accordance with Article 26, less all payments previously made pursuant to this **Contract**.

64.2.4 Direct Costs: Direct Costs as used in this Article 64.2 shall mean:

64.2.4(a) The actual purchase price of material and equipment, plus necessary and reasonable delivery costs,

64.2.4(b) The actual cost of labor involved in construction and installation at the **Site**, and

64.2.4(c) The actual cost of necessary bonds and insurance purchased pursuant to requirements of this **Contract** less any amounts that have been or should be refunded by the **Contractor's** sureties or insurance carriers.

64.2.4(d) Direct Costs shall not include overhead.

64.3 In no event shall any payments under this Article 64 exceed the **Contract** price for such items.

64.4 All payments pursuant to Article 64 shall be in the nature of liquidated damages and shall be accepted by the **Contractor** in full satisfaction of all claims against the **City**.

64.5 The **City** may deduct or set off against any sums due and payable pursuant to this Article 64, any deductions authorized by this **Contract** or by **Law** (including but not limited to liquidated damages) and any claims it may have against the **Contractor**. The **City's** exercise of the right to terminate the **Contract** pursuant to this Article 64 shall not impair or otherwise effect the **City's** right to assert any claims it may have against the **Contractor** in a plenary action.

64.6 Where the **Work** covered by the **Contract** has been substantially completed, as determined in writing by the **Commissioner**, termination of the **Work** shall be handled as an omission of **Work** pursuant to Articles 29 and 33, in which case a change order will be issued to reflect an appropriate reduction in the **Contract** sum, or if the amount is determined after final payment, such amount shall be paid by the **Contractor**.

ARTICLE 65. CHOICE OF LAW, CONSENT TO JURISDICTION AND VENUE

65.1 This **Contract** shall be deemed to be executed in the **City** regardless of the domicile of the **Contractor**, and shall be governed by and construed in accordance with the **Laws** of the State of New York and the **Laws** of the United States, where applicable.

65.2 The parties agree that any and all claims asserted against the **City** arising under this **Contract** or related thereto shall be heard and determined in the courts of the State of New York ("New York State Courts") located in the **City** and County of New York. To effect this **Contract** and intent, the **Contractor** agrees:

65.2.1 If the **City** initiates any action against the **Contractor** in Federal court or in a New York State Court, service of process may be made on the **Contractor** either in person, wherever such **Contractor** may be found, or by registered mail addressed to the **Contractor** at its address as set forth in this **Contract**, or to such other address as the **Contractor** may provide to the **City** in writing; and

65.2.2 With respect to any action between the **City** and the **Contractor** in a New York State Court, the **Contractor** hereby expressly waives and relinquishes any rights it might otherwise have:

65.2.2(a) To move to dismiss on grounds of forum non conveniens;

65.2.2(b) To remove to Federal Court; and

65.2.2(c) To move for a change of venue to a New York State Court outside New York County.

65.2.3 With respect to any action brought by the **City** against the **Contractor** in a Federal Court located in the **City**, the **Contractor** expressly waives and relinquishes any right it might otherwise have to move to transfer the action to a Federal Court outside the **City**.

65.2.4 If the **Contractor** commences any action against the **City** in a court located other than in the **City** and County of New York, upon request of the **City**, the **Contractor** shall either consent to a transfer of the action to a New York State Court of competent jurisdiction located in the **City** and County of New York or, if the Court where the action is initially brought will not or cannot transfer the action, the **Contractor** shall consent to dismiss such action without prejudice and may thereafter reinstate the action in a New York State Court of competent jurisdiction in New York County.

65.3 If any provision(s) of this Article 65 is held unenforceable for any reason, each and all other provision(s) shall nevertheless remain in full force and effect.

ARTICLE 66. PARTICIPATION IN AN INTERNATIONAL BOYCOTT

66.1 The **Contractor** agrees that neither the **Contractor** nor any substantially owned affiliated company is participating or shall participate in an international boycott in violation of the provisions of the Federal Export Administration Act of 1979, as amended, or the regulations of the United States Department of Commerce (Commerce Department) promulgated thereunder.

66.2 Upon the final determination by the Commerce Department or any other agency of the United States as to, or conviction of the **Contractor** or a substantially-owned affiliated company thereof for participation in an international boycott in violation of the provisions of the Export Administration Act of 1979, as amended, or the regulations promulgated thereunder, the **Comptroller** may, at his/her option, render forfeit and void this **Contract**.

66.3 The **Contractor** shall comply in all respects, with the provisions of Section 6-114 of the Administrative Code and the rules and regulations issued by the **Comptroller** thereunder.

ARTICLE 67. LOCALLY BASED ENTERPRISE PROGRAM

67.1 This **Contract** is subject to the requirements of Section 6-108.1 of the Administrative Code and regulations promulgated thereunder. No construction contract shall be awarded unless and until these requirements have been complied with in their entirety; however, compliance with this Article 67 is not required if the Agency sets Subcontractor Participation Goals for Minority- and Women-Owned Business Enterprises (M/WBEs).

67.2 Unless specifically waived by the **Commissioner** with the approval of the Division of Economic and Financial Opportunity of the City Department of Business Services, if any portion of the **Contract** is subcontracted, not less than ten (10%) percent of the total dollar amount of the **Contract** shall be awarded to locally based enterprises (LBEs); except that where less than ten (10%) percent of the total dollar amount of the **Contract** is subcontracted, such lesser percentage shall be so awarded.

67.3 The **Contractor** shall not require performance and payment bonds from LBE **Subcontractors**.

67.4 If the **Contractor** has indicated prior to award that no **Work** will be subcontracted, no **Work** shall be subcontracted without the prior approval of the **Commissioner**, which shall be granted only if the **Contractor** makes a good faith effort beginning at least six (6) weeks before the **Work** is to be performed to obtain LBE **Subcontractors** to perform the **Work**.

67.5 If the **Contractor** has not identified sufficient LBE **Subcontractors** prior to award, it shall sign a letter of compliance stating that it complies with Section 6-108.1 of the Administrative Code, recognizes that achieving the LBE requirement is a condition of its **Contract**, and shall submit documentation demonstrating its good faith efforts to obtain LBEs. After award, the **Contractor** shall begin to solicit LBE's to perform subcontracted **Work** at least six (6) weeks before the date such **Work** is to be performed and shall demonstrate that a good faith effort has been made to obtain LBEs on each subcontract until it meets the required percentage.

67.6 Failure of the **Contractor** to comply with the requirements of Section 6-108.1 of the Administrative Code and the regulations promulgated thereunder shall constitute a material breach of this **Contract**. Remedy for such breach may include the imposition of any or all of the following sanctions:

67.6.1 Reducing the **Contractor's** compensation by an amount equal to the dollar value of the percentage of the LBE subcontracting requirement not complied with;

67.6.2 Declaring the **Contractor** in default;

67.6.3 If the **Contractor** is an LBE, de-certifying and declaring the **Contractor** ineligible to participate in the LBE program for a period of up to three (3) years.

ARTICLE 68. ANTITRUST

68.1 The **Contractor** hereby assigns, sells, and transfers to the **City** all right, title, and interest in and to any claims and causes of action arising under the antitrust **Laws** of New York State or of the United States relating to the particular goods or services purchased or procured by the **City** under this **Contract**.

ARTICLE 69. MacBRIDE PRINCIPLES PROVISIONS

69.1 Notice To All Prospective **Contractors**:

69.1.1 Local Law No. 34 of 1991 became effective on September 10, 1991 and added Section 6-115.1 of the Administrative Code. The local **Law** provides for certain restrictions on **City Contracts** to express the opposition of the people of the **City** to employment discrimination practices in Northern Ireland to promote freedom of work-place opportunity.

69.1.2 Pursuant to Section 6-115.1, prospective **Contractors** for **Contracts** to provide goods or services involving an expenditure of an amount greater than ten thousand (\$10,000.) dollars, or for construction involving an amount greater than fifteen thousand (\$15,000.) dollars, are asked to sign a rider in which they covenant and represent, as a material condition of their **Contract**, that any business operations in Northern Ireland conducted by the **Contractor** and any individual or legal entity in which the **Contractor** holds a ten (10%) percent or greater ownership interest in the **Contractor** will be conducted in accordance with the MacBride Principles of nondiscrimination in employment.

69.1.3 Prospective **Contractors** are not required to agree to these conditions. However, in the case of **Contracts** let by competitive sealed bidding, whenever the lowest responsible bidder has not agreed to stipulate to the conditions set forth in this notice and another bidder who has agreed to stipulate to such conditions has submitted a bid within five (5%) percent of the lowest responsible bid for a **Contract** to supply goods, services or construction of comparable quality, the **Agency** shall refer such bids to the Mayor, the Speaker or other officials, as appropriate, who may determine, in accordance with applicable **Law**, that it is in the best interest of the **City** that the **Contract** be awarded to other than the lowest responsible pursuant to Section 313(b)(2) of the **City Charter**.

69.1.4 In the case of **Contracts** let by other than competitive sealed bidding, if a prospective **Contractor** does not agree to these conditions, no **Agency**, elected official or the **City Council** shall award the **Contract** to that bidder unless the **Agency** seeking to use the goods, services or construction certifies in writing that the **Contract** is necessary for the **Agency** to perform its functions and there is no other responsible **Contractor** who will supply goods, services or construction of comparable quality at a comparable price.

69.2 In accordance with Section 6-115.1 of the Administrative Code, the **Contractor** stipulates that such **Contractor** and any individual or legal entity in which the **Contractor** holds a ten (10%) percent or greater ownership interest in the **Contractor** either:

69.2.1 Have no business operations in Northern Ireland, or

69.2.2 Shall take lawful steps in good faith to conduct any business operations they have in Northern Ireland in accordance with the MacBride Principles, and shall permit independent monitoring of their compliance with such principles.

69.3 For purposes of this Article, the following terms shall have the following meanings:

69.3.1 "MacBride Principles" shall mean those principles relating to nondiscrimination in employment and freedom of work-place opportunity which require employers doing business in Northern Ireland to:

69.3.1(a) increase the representation of individuals from under-represented religious groups in the workforce, including managerial, supervisory, administrative, clerical and technical jobs;

69.3.1(b) take steps to promote adequate security for the protection of employees from under-represented religious groups both at the work-place and while traveling to and from **Work**;

69.3.1(c) ban provocative religious or political emblems from the workplace;

69.3.1(d) publicly advertise all job openings and make special recruitment efforts to attract applicants from under-represented religious groups;

69.3.1(e) establish layoff, recall, and termination procedures which do not in practice favor a particular religious group;

69.3.1(f) abolish all job reservations, apprenticeship restrictions and different employment criteria which discriminate on the basis of religion;

69.3.1(g) develop training programs that will prepare substantial numbers of current employees from under-represented religious groups for skilled jobs, including the expansion of existing programs and the creation of new programs to train, upgrade, and improve the skills of workers from under-represented religious groups;

69.3.1(h) establish procedures to assess, identify, and actively recruit employees from under-represented religious groups with potential for further advancement; and

69.3.1(i) appoint a senior management staff member to oversee affirmative action efforts and develop a timetable to ensure their full implementation.

69.4 The **Contractor** agrees that the covenants and representations in Article 69.2 are material conditions to this **Contract**. In the event the **Agency** receives information that the **Contractor** who made the stipulation required by this Article 69 is in violation thereof, the **Agency** shall review such information and give the **Contractor** an opportunity to respond. If the **Agency** finds that a violation has occurred, the **Agency** shall have the right to declare the **Contractor** in default and/or terminate this **Contract** for cause and procure supplies, services or **Work** from another source in the manner the **Agency** deems proper. In the event of such termination, the **Contractor** shall pay to the **Agency**, or the **Agency** in its sole discretion may withhold from any amounts otherwise payable to the **Contractor**, the difference between the **Contract** price for the uncompleted portion of this **Contract** and the cost to the **Agency** of completing performance of this **Contract** either itself or by engaging another **Contractor** or **Contractors**. In the case of a requirement **Contract**, the **Contractor** shall be liable for such difference in price for the entire amount of supplies required by the **Agency** for the uncompleted term of **Contractor's Contract**. In the case of a construction **Contract**, the **Agency** shall also have the right to hold the **Contractor** in partial or total default in accordance with the default provisions of this **Contract**, and/or may seek debarment or suspension of the **Contractor**. The rights and remedies of the **Agency** hereunder shall be in addition to, and not in lieu of, any rights and remedies the **Agency** has pursuant to this **Contract** or by operation of **Law**.

ARTICLE 70. ELECTRONIC FILING/NYC DEVELOPMENT HUB

70.1 The **Contractor** shall electronically file all alteration type-2 and alteration type-3 applications via the New York City Development Hub Web site, except applications for the following types of minor alterations: enlargements, curb cuts, legalizations, fire alarms, builders pavement plans, and jobs filed on Landmark Preservation Commission calendared properties. All such filings must be professionally certified. Information about electronic filing via the New York City Development Hub is available on the City Department of Buildings Web site at www.nyc.gov/buildings.

ARTICLE 71. PROHIBITION OF TROPICAL HARDWOODS

71.1 Tropical hardwoods, as defined in Section 165 of the New York State Finance Law (Finance Law), shall not be utilized in the performance of this **Contract** except as expressly permitted by Section 165 of the Finance Law.

ARTICLE 72. CONFLICTS OF INTEREST

72.1 Section 2604 of the City Charter and other related provisions of the City Charter, the Administrative Code, and the Penal Law are applicable under the terms of this **Contract** in relation to conflicts of interest and shall be extended to **Subcontractors** authorized to perform **Work**, labor and services pursuant to this **Contract** and further, it shall be the duty and responsibility of the **Contractor** to so inform its respective **Subcontractors**. Notice is hereby given that, under certain circumstances, penalties may be invoked against the donor as well as the recipient of any form of valuable gift.

ARTICLE 73. MERGER CLAUSE

73.1 The written **Contract** herein, contains all the terms and conditions agreed upon by the parties hereto, and no other agreement, oral or otherwise, regarding the subject matter of this **Contract** shall be deemed to exist or to bind any of the parties hereto, or to vary any of the terms contained herein.

ARTICLE 74. STATEMENT OF WORK

74.1 The **Contractor** shall furnish all labor and materials and perform all **Work** in strict accordance with the **Specifications** and **Addenda** thereto, numbered as shown in Schedule A.

ARTICLE 75. COMPENSATION TO BE PAID TO CONTRACTOR

75.1 The City will pay and the **Contractor** will accept in full consideration for the performance of the **Contract**, subject to additions and deductions as provided herein, the total sum shown in Schedule A, this said sum being the amount at which the **Contract** was awarded to the **Contractor** at a public letting thereof, based upon the **Contractor's** bid for the **Contract**.

ARTICLE 76. ELECTRONIC FUNDS TRANSFER

76.1 In accordance with Section 6-107.1 of the Administrative Code, the **Contractor** agrees to accept payments under this **Contract** from the City by electronic funds transfer (EFT). An EFT is any

transfer of funds, other than a transaction originated by check, draft or similar paper instrument, which is initiated through an electronic terminal, telephonic instrument or computer or magnetic tape so as to order, instruct or authorize a financial institution to debit or credit an account. Prior to the first payment made under this **Contract**, the **Contractor** shall designate one financial institution or other authorized payment agent and shall complete the attached "EFT Vendor Payment Enrollment Form" in order to provide the Commissioner of the City Department of Finance with information necessary for the **Contractor** to receive electronic funds transfer payments through a designated financial institution or authorized payment agent. The crediting of the amount of a payment to the appropriate account on the books of a financial institution or other authorized payment agent designated by the **Contractor** shall constitute full satisfaction by the **City** for the amount of the payment under this **Contract**. The account information supplied by the **Contractor** to facilitate the electronic funds transfer shall remain confidential to the fullest extent provided by **Law**.

76.2 The **Commissioner** may waive the application of the requirements of this Article 76 to payments on contracts entered into pursuant to Section 315 of the **City Charter**. In addition, the Commissioner of the Department of Finance and the Comptroller may jointly issue standards pursuant to which the **Agency** may waive the requirements of this Article 76 for payments in the following circumstances: (i) for individuals or classes of individuals for whom compliance imposes a hardship; (ii) for classifications or types of checks; or (iii) in other circumstances as may be necessary in the interest of the **City**.

ARTICLE 77. RECORDS RETENTION

77.1 The **Contractor** agrees to retain all books, records, and other documents relevant to this **Contract** for six years after the final payment or termination of this **Contract**, whichever is later. **City**, state, and federal auditors and any other persons duly authorized by the **City** shall have full access to and the right to examine any such books, records, and other documents during the retention period.

ARTICLE 78. EXAMINATION AND VIEWING OF SITE, CONSIDERATION OF OTHER SOURCES OF INFORMATION AND CHANGED SITE CONDITIONS

78.1 Pre-Bidding (Investigation) Viewing of Site – Bidders must carefully view and examine the **Site** of the proposed **Work**, as well as its adjacent area, and seek other usual sources of information, for they will be conclusively presumed to have full knowledge of any and all conditions and hazards on, about or above the **Site** relating to or affecting in any way the performance of the **Work** to be done under the **Contract** that were or should have been known by a reasonably prudent bidder. To arrange a date for visiting the **Site**, bidders are to contact the **Agency** contact person specified in the bid documents.

78.2 Should the **Contractor** encounter during the progress of the **Work** site conditions or environmental hazards at the **Site** materially differing from any shown on the **Contract Drawings** or indicated in the **Specifications** or such conditions or environmental hazards as could not reasonably have been anticipated by the **Contractor**, which conditions or hazards will materially affect the cost of the **Work** to be done under the **Contract**, the attention of the **Commissioner** must be called immediately to such conditions or hazards before they are disturbed. The **Commissioner** shall thereupon promptly investigate the conditions or hazards. If the **Commissioner** finds that they do so materially differ, and that they could not have been reasonably anticipated by the **Contractor**, the **Contract** may be modified with the **Commissioner's** written approval.

**ARTICLE 79. PARTICIPATION BY MINORITY-OWNED AND WOMEN-OWNED
BUSINESS ENTERPRISES IN CITY PROCUREMENT**

NOTICE TO ALL PROSPECTIVE CONTRACTORS

ARTICLE I. M/WBE PROGRAM

Local Law No. 129 of 2005 added and Local Law 1 of 2013 amended Section 6-129 of the Administrative Code of the City of New York (hereinafter "Section 6-129"). Section 6-129 establishes the program for participation in City procurement ("M/WBE Program") by minority-owned business enterprises ("MBEs") and women-owned business enterprises ("WBEs"), certified in accordance with Section 1304 of the New York City Charter. As stated in Section 6-129, the intent of the program is to address the impact of discrimination on the City's procurement process, and to promote the public interest in avoiding fraud and favoritism in the procurement process, increasing competition for City business, and lowering contract costs. The contract provisions contained herein are pursuant to Section 6-129, and the rules of the Department of Small Business Services ("DSBS") promulgated thereunder.

If this Contract is subject to the M/WBE Program established by Section 6-129, the specific requirements of MBE and/or WBE participation for this Contract are set forth in Schedule B of the Contract (entitled the "M/WBE Utilization Plan"), and are detailed below. The Contractor must comply with all applicable MBE and WBE requirements for this Contract.

All provisions of Section 6-129 are hereby incorporated in the Contract by reference and all terms used herein that are not defined herein shall have the meanings given such terms in Section 6-129. Article I, Part A, below, sets forth provisions related to the participation goals for construction, standard and professional services contracts. Article I, Part B, below, sets forth miscellaneous provisions related to the M/WBE Program.

PART A

**PARTICIPATION GOALS FOR CONSTRUCTION, STANDARD
AND PROFESSIONAL SERVICES CONTRACTS OR TASK ORDERS**

1. The **MBE and/or WBE Participation Goals** established for this Contract or Task Orders issued pursuant to this Contract, ("**Participation Goals**"), as applicable, are set forth on Schedule B, Part I to this Contract (see Page 1, line 1 Total Participation Goals) or will be set forth on Schedule B, Part I to Task Orders issued pursuant to this Contract, as applicable.

The **Participation Goals** represent a percentage of the total dollar value of the Contract or Task Order, as applicable, that may be achieved by awarding subcontracts to firms certified with New York City Department of Small Business Services as MBEs and/or WBEs, and/or by crediting the participation of prime contractors and/or qualified joint ventures as provided in Section 3 below, unless the goals have been waived or modified by Agency in accordance with Section 6-129 and Part A, Sections 10 and 11 below, respectively.

2. If **Participation Goals** have been established for this Contract or Task Orders issued pursuant to this Contract, Contractor agrees or shall agree as a material term of the Contract that Contractor shall be subject to the **Participation Goals**, unless the goals are waived or modified by Agency in accordance with Section 6-129 and Part A, Sections 10 and 11 below, respectively.

3. If **Participation Goals** have been established for this Contract or Task Order issued pursuant to this Contract, a Contractor that is an MBE and/or WBE shall be permitted to count its own participation toward fulfillment of the relevant **Participation Goal**, provided that in accordance with Section 6-129 the value of Contractor's participation shall be determined by subtracting from the total value of the Contract or Task Order, as applicable, any amounts that the Contractor pays to direct subcontractors (as defined in Section 6-129(c)(13)), and provided further that a Contractor that is certified as both an MBE and a WBE may count its own participation either toward the goal for MBEs or the goal for WBEs, but not both.

A Contractor that is a qualified joint venture (as defined in Section 6-129(c)(30)) shall be permitted to count a percentage of its own participation toward fulfillment of the relevant **Participation Goal**. In accordance with Section 6-129, the value of Contractor's participation shall be determined by subtracting from the total value of the Contract or Task Order, as applicable, any amounts that Contractor pays to direct subcontractors, and then multiplying the remainder by the percentage to be applied to total profit to determine the amount to which an MBE or WBE is entitled pursuant to the joint venture agreement, provided that where a participant in a joint venture is certified as both an MBE and a WBE, such amount shall be counted either toward the goal for MBEs or the goal for WBEs, but not both.

4. A. If **Participation Goals** have been established for this Contract, a prospective contractor shall be required to submit with its bid or proposal, as applicable, a completed Schedule B, M/WBE Utilization Plan, Part II (see Pages 2-4) indicating: (a) whether the contractor is an MBE or WBE, or qualified joint venture; (b) the percentage of work it intends to award to direct subcontractors; and (c) in cases where the contractor intends to award direct subcontracts, a description of the type and dollar value of work designated for participation by MBEs and/or WBEs, and the time frames in which such work is scheduled to begin and end. In the event that this M/WBE Utilization Plan indicates that the bidder or proposer, as applicable, does not intend to meet the **Participation Goals**, the bid or proposal, as applicable, shall be deemed non-responsive, unless Agency has granted the bidder or proposer, as applicable, a pre-award waiver of the Participation Goals in accordance with Section 6-129 and Part A, Section 10 below.

B. (i) If this Contract is for a master services agreement or other requirements type contract that will result in the issuance of Task Orders that will be individually registered ("Master Services Agreement") and is subject to M/WBE **Participation Goals**, a prospective contractor shall be required to submit with its bid or proposal, as applicable, a completed Schedule B, M/WBE Participation Requirements for Master Services Agreements That Will Require Individually Registered Task Orders, Part II (page 2) indicating the prospective contractor's certification and required affirmations to make all reasonable good faith efforts to meet participation goals established on each individual Task Order issued pursuant to this Contract, or if a partial waiver is obtained or such goals are modified by the Agency, to meet the modified **Participation Goals** by soliciting and obtaining the participation of certified MBE and/or WBE firms. In the event that the Schedule B indicates that the bidder or proposer, as applicable, does not intend to meet the **Participation Goals** that may be established on Task Orders issued pursuant to this Contract, the bid or proposal, as applicable, shall be deemed nonresponsive.

(ii) **Participation Goals** on a Master Services Agreement will be established for individual Task Orders issued after the Master Services Agreement is awarded. If **Participation Goals** have been established on a Task Order, a contractor shall be required to submit a Schedule B – M/WBE Utilization Plan For Independently Registered Task Orders That Are Issued Pursuant to Master Services Agreements, Part II (see Pages 2-4) indicating: (a) whether the contractor is an MBE or WBE, or qualified joint venture; (b) the percentage of work it intends to award to direct subcontractors; and (c) in cases where the contractor intends to award direct subcontracts, a description of the type and dollar value of work designated for participation by MBEs and/or WBEs, and the time frames in which such work is scheduled to begin and end. The contractor must engage in good faith efforts to meet the **Participation Goals** as established for the Task Order unless Agency has granted the contractor a pre-award waiver of the Participation Goals in accordance with Section 6-129 and Part A, Section 10 below.

C. THE BIDDER/PROPOSER MUST COMPLETE THE SCHEDULE B INCLUDED HEREIN (SCHEDULE B, PART II). A SCHEDULE B SUBMITTED BY THE BIDDER/PROPOSER WHICH DOES NOT INCLUDE THE VENDOR CERTIFICATION AND REQUIRED AFFIRMATIONS (SEE SECTION V OF PART II) WILL BE DEEMED TO BE NON-RESPONSIVE, UNLESS A FULL WAIVER OF THE PARTICIPATION GOALS IS GRANTED (SCHEDULE B, PART III). IN THE EVENT THAT THE CITY DETERMINES THAT THE BIDDER/PROPOSER HAS SUBMITTED A SCHEDULE B WHERE THE VENDOR CERTIFICATION AND REQUIRED AFFIRMATIONS ARE COMPLETED BUT OTHER ASPECTS OF THE SCHEDULE B ARE NOT COMPLETE, OR CONTAIN A COPY OR COMPUTATION ERROR THAT IS AT ODDS WITH THE VENDOR CERTIFICATION AND AFFIRMATIONS, THE BIDDER/PROPOSER WILL BE NOTIFIED BY THE AGENCY AND WILL BE GIVEN FOUR (4) CALENDAR DAYS FROM RECEIPT OF NOTIFICATION TO CURE THE SPECIFIED DEFICIENCIES AND RETURN A COMPLETED SCHEDULE B TO THE AGENCY. FAILURE TO DO SO WILL RESULT IN A DETERMINATION THAT THE BID/PROPOSAL IS NON-RESPONSIVE. RECEIPT OF NOTIFICATION IS DEFINED AS THE DATE NOTICE IS E-MAILED OR FAXED (IF THE BIDDER/PROPOSER HAS PROVIDED AN E-MAIL ADDRESS OR FAX NUMBER), OR NO LATER THAN FIVE (5) CALENDAR DAYS FROM THE DATE OF MAILING OR UPON DELIVERY, IF DELIVERED.

5. Where an M/WBE Utilization Plan has been submitted, the Contractor shall, within 30 days of issuance by Agency of a notice to proceed, submit a list of proposed persons or entities to which it intends to award subcontracts within the subsequent 12 months. In the case of multiyear contracts, such list shall also be submitted every year thereafter. The Agency may also require the Contractor to report periodically about the contracts awarded by its direct subcontractors to indirect subcontractors (as defined in Section 6-129(c)(22)). **PLEASE NOTE: If this Contract is a public works project subject to GML §101(5) (i.e., a contract valued at or below \$3M for projects in New York City) or if the Contract is subject to a project labor agreement in accordance with Labor Law §222, and the bidder is required to identify at the time of bid submission its intended subcontractors for the Wicks trades (plumbing and gas fitting; steam heating, hot water heating, ventilating and air conditioning (HVAC); and electric wiring), the Contractor must identify all those to which it intends to award construction subcontracts for any portion of the Wicks trade work at the time of bid submission, regardless of what point in the life of the contract such subcontracts will occur. In identifying intended subcontractors in the bid submission, bidders may satisfy any Participation Goals established for this Contract by proposing one or more subcontractors that are MBEs and/or WBEs for any portion of the Wicks trade work. In the event that the Contractor's selection of a subcontractor is disapproved, the Contractor shall have a reasonable time to propose alternate subcontractors.**

6. MBE and WBE firms must be certified by DSBS in order for the Contractor to credit such firms' participation toward the attainment of the **Participation Goals**. Such certification must occur prior to the

firms' commencement of work. A list of MBE and WBE firms may be obtained from the DSBS website at www.nyc.gov/buycertified, by emailing DSBS at buyer@sbs.nyc.gov, by calling (212) 513-6356, or by visiting or writing DSBS at 110 William St., New York, New York, 10038, 7th floor. Eligible firms that have not yet been certified may contact DSBS in order to seek certification by visiting www.nyc.gov/getcertified, emailing MWBE@sbs.nyc.gov, or calling the DSBS certification helpline at (212) 513-6311. A firm that is certified as both an MBE and a WBE may be counted either toward the goal for MBEs or the goal for WBEs, but not both. No credit shall be given for participation by a graduate MBE or graduate WBE, as defined in Section 6-129(c)(20).

7. Where an **M/WBE** Utilization Plan has been submitted, the Contractor shall, with each voucher for payment, and/or periodically as Agency may require, submit statements, certified under penalty of perjury, which shall include, but not be limited to,: the total amount the Contractor paid to its direct subcontractors, and, where applicable pursuant to Section 6-129(j), the total amount direct subcontractors paid to indirect subcontractors; the names, addresses and contact numbers of each MBE or WBE hired as a subcontractor by the Contractor, and, where applicable, hired by any of the Contractor's direct subcontractors; and the dates and amounts paid to each MBE or WBE. The Contractor shall also submit, along with its voucher for final payment: the total amount it paid to subcontractors, and, where applicable pursuant to Section 6-129(j), the total amount its direct subcontractors paid directly to their indirect subcontractors; and a final list, certified under penalty of perjury, which shall include the name, address and contact information of each subcontractor that is an MBE or WBE, the work performed by, and the dates and amounts paid to each.

8. If payments made to, or work performed by, MBEs or WBEs are less than the amount specified in the Contractor's **M/WBE** Utilization Plan, Agency shall take appropriate action, in accordance with Section 6-129 and Article II below, unless the Contractor has obtained a modification of its **M/WBE** Utilization Plan in accordance with Section 6-129 and Part A, Section 11 below.

9. Where an **M/WBE** Utilization Plan has been submitted, and the Contractor requests a change order the value of which exceeds the greater of 10 percent of the Contract or Task Order, as applicable, or \$500,000, Agency shall review the scope of work for the Contract or Task Order, as applicable, and the scale and types of work involved in the change order, and determine whether the **Participation Goals** should be modified.

10. **Pre-award waiver of the Participation Goals.** (a) A bidder or proposer, or contractor with respect to a Task Order, may seek a pre-award full or partial waiver of the **Participation Goals** in accordance with Section 6-129, which requests that Agency change one or more **Participation Goals** on the grounds that the **Participation Goals** are unreasonable in light of the availability of certified firms to perform the services required, or by demonstrating that it has legitimate business reasons for proposing a lower level of subcontracting in its **M/WBE** Utilization Plan.

(b) To apply for a full or partial waiver of the **Participation Goals**, a bidder, proposer, or contractor, as applicable, must complete Part III (Page 5) of Schedule B and submit such request no later than seven (7) calendar days prior to the date and time the bids, proposals, or Task Orders are due, in writing to the Agency by email at poped@ddc.nyc.gov or via facsimile at (718) 391-1886. Bidders, proposers, or contractors, as applicable, who have submitted requests will receive an Agency response by no later than two (2) calendar days prior to the due date for bids, proposals, or Task Orders; provided, however, that if that date would fall on a weekend or holiday, an Agency response will be provided by close-of-business on the business day before such weekend or holiday date.

(c) If the Agency determines that the **Participation Goals** are unreasonable in light of the availability of certified firms to perform the services required, it shall revise the solicitation and extend the deadline for bids and proposals, or revise the Task Order, as applicable.

(d) Agency may grant a full or partial waiver of the **Participation Goals** to a bidder, proposer or contractor, as applicable, who demonstrates—before submission of the bid, proposal or Task Order, as applicable—that it has legitimate business reasons for proposing the level of subcontracting in its **M/WBE Utilization Plan**. In making its determination, Agency shall consider factors that shall include, but not be limited to, whether the bidder, proposer or contractor, as applicable, has the capacity and the bona fide intention to perform the Contract without any subcontracting, or to perform the Contract without awarding the amount of subcontracts represented by the **Participation Goals**. In making such determination, Agency may consider whether the **M/WBE Utilization Plan** is consistent with past subcontracting practices of the bidder, proposer or contractor, as applicable, whether the bidder, proposer or contractor, as applicable, has made efforts to form a joint venture with a certified firm, and whether the bidder, proposer, or contractor, as applicable, has made good faith efforts to identify other portions of the Contract that it intends to subcontract.

11. **Modification of M/WBE Utilization Plan.** (a) A Contractor may request a modification of its **M/WBE Utilization Plan** after award of this Contract. **PLEASE NOTE: If this Contract is a public works project subject to GML §101(5) (i.e., a contract valued at or below \$3M for projects in New York City) or if the Contract is subject to a project labor agreement in accordance with Labor Law §222, and the bidder is required to identify at the time of bid submission its intended subcontractors for the Wicks trades (plumbing and gas fitting; steam heating, hot water heating, ventilating and air conditioning (HVAC); and electric wiring), the Contractor may request a Modification of its M/WBE Utilization Plan as part of its bid submission.** The Agency may grant a request for Modification of a Contractor's **M/WBE Utilization Plan** if it determines that the Contractor has established, with appropriate documentary and other evidence, that it made reasonable, good faith efforts to meet the **Participation Goals**. In making such determination, Agency shall consider evidence of the following efforts, as applicable, along with any other relevant factors:

- (i) The Contractor advertised opportunities to participate in the Contract, where appropriate, in general circulation media, trade and professional association publications and small business media, and publications of minority and women's business organizations;
- (ii) The Contractor provided notice of specific opportunities to participate in the Contract, in a timely manner, to minority and women's business organizations;
- (iii) The Contractor sent written notices, by certified mail or facsimile, in a timely manner, to advise MBEs or WBEs that their interest in the Contract was solicited;
- (iv) The Contractor made efforts to identify portions of the work that could be substituted for portions originally designated for participation by MBEs and/or WBEs in the **M/WBE Utilization Plan**, and for which the Contractor claims an inability to retain MBEs or WBEs;
- (v) The Contractor held meetings with MBEs and/or WBEs prior to the date their bids or proposals were due, for the purpose of explaining in detail the scope and requirements of the work for which their bids or proposals were solicited;
- (vi) The Contractor made efforts to negotiate with MBEs and/or WBEs as relevant to perform specific subcontracts, or act as suppliers or service providers;
- (vii) Timely written requests for assistance made by the Contractor to Agency's **M/WBE liaison officer** and to **DSBS**;
- (viii) Description of how recommendations made by **DSBS** and Agency were acted upon and an explanation of why action upon such recommendations did not lead to the desired level of participation of MBEs and/or WBEs.

Agency's **M/WBE officer** shall provide written notice to the Contractor of the determination.

(b) The Agency may modify the **Participation Goals** when the scope of the work has been changed by the Agency in a manner that affects the scale and types of work that the Contractor indicated in its **M/WBE Utilization Plan** would be awarded to subcontractors.

12. If this Contract is for an indefinite quantity of construction, standard or professional services or is a requirements type contract and the Contractor has submitted an M/WBE Utilization Plan and has committed to subcontract work to MBEs and/or WBEs in order to meet the **Participation Goals**, the Contractor will not be deemed in violation of the M/WBE Program requirements for this Contract with regard to any work which was intended to be subcontracted to an MBE and/or WBE to the extent that the Agency has determined that such work is not needed.

13. If **Participation Goals** have been established for this Contract or a Task Order issued pursuant to this Contract, at least once annually during the term of the Contract or Task Order, as applicable, Agency shall review the Contractor's progress toward attainment of its M/WBE Utilization Plan, including but not limited to, by reviewing the percentage of work the Contractor has actually awarded to MBE and/or WBE subcontractors and the payments the Contractor made to such subcontractors.

14. If **Participation Goals** have been established for this Contract or a Task Order issued pursuant to this Contract, Agency shall evaluate and assess the Contractor's performance in meeting those goals, and such evaluation and assessment shall become part of the Contractor's overall contract performance evaluation.

PART B: MISCELLANEOUS

1. The Contractor shall take notice that, if this solicitation requires the establishment of an M/WBE Utilization Plan, the resulting contract may be audited by DSBS to determine compliance with Section 6-129. See §6-129(e)(10). Furthermore, such resulting contract may also be examined by the City's Comptroller to assess compliance with the M/WBE Utilization Plan.

2. Pursuant to DSBS rules, construction contracts that include a requirement for an M/WBE Utilization Plan shall not be subject to the law governing Locally Based Enterprises set forth in Section 6-108.1 of the Administrative Code of the City of New York.

3. DSBS is available to assist contractors and potential contractors in determining the availability of MBEs and/or WBEs to participate as subcontractors, and in identifying opportunities that are appropriate for participation by MBEs and/or WBEs in contracts.

4. Prospective contractors are encouraged to enter into qualified joint venture agreements with MBEs and/or WBEs as defined by Section 6-129(c)(30).

5. By submitting a bid or proposal the Contractor hereby acknowledges its understanding of the M/WBE Program requirements set forth herein and the pertinent provisions of Section 6-129, and any rules promulgated thereunder, and if awarded this Contract, the Contractor hereby agrees to comply with the M/WBE Program requirements of this Contract and pertinent provisions of Section 6-129, and any rules promulgated thereunder, all of which shall be deemed to be material terms of this Contract. The Contractor hereby agrees to make all reasonable, good faith efforts to solicit and obtain the participation of MBEs and/or WBEs to meet the required **Participation Goals**.

ARTICLE II. ENFORCEMENT

1. If Agency determines that a bidder or proposer, as applicable, has, in relation to this procurement, violated Section 6-129 or the DSBS rules promulgated pursuant to Section 6-129, Agency may disqualify such bidder or proposer, as applicable, from competing for this Contract and the Agency may revoke such bidder's or proposer's prequalification status, if applicable.

2. Whenever Agency believes that the Contractor or a subcontractor is not in compliance with Section 6-129 or the DSBS rules promulgated pursuant to Section 6-129, or any provision of this Contract that implements Section 6-129, including, but not limited to any **M/WBE** Utilization Plan, Agency shall send a written notice to the Contractor describing the alleged noncompliance and offering the Contractor an opportunity to be heard. Agency shall then conduct an investigation to determine whether such Contractor or subcontractor is in compliance.

3. In the event that the Contractor has been found to have violated Section 6-129, the DSBS rules promulgated pursuant to Section 6-129, or any provision of this Contract that implements Section 6-129, including, but not limited to, any **M/WBE** Utilization Plan, Agency may determine that one of the following actions should be taken:

- (a) entering into an agreement with the Contractor allowing the Contractor to cure the violation;
- (b) revoking the Contractor's pre-qualification to bid or make proposals for future contracts;
- (c) making a finding that the Contractor is in default of the Contract;
- (d) terminating the Contract;
- (e) declaring the Contractor to be in breach of Contract;
- (f) withholding payment or reimbursement;
- (g) determining not to renew the Contract;
- (h) assessing actual and consequential damages;
- (i) assessing liquidated damages or reducing fees, provided that liquidated damages may be based on amounts representing costs of delays in carrying out the purposes of the **M/WBE** Program, or in meeting the purposes of the Contract, the costs of meeting utilization goals through additional procurements, the administrative costs of investigation and enforcement, or other factors set forth in the Contract;
- (j) exercising rights under the Contract to procure goods, services or construction from another contractor and charge the cost of such contract to the Contractor that has been found to be in noncompliance; or
- (k) taking any other appropriate remedy.

4. If an **M/WBE** Utilization Plan has been submitted, and pursuant to this Article II, Section 3, the Contractor has been found to have failed to fulfill its **Participation Goals** contained in its **M/WBE** Utilization Plan or the **Participation Goals** as modified by Agency pursuant to Article I, Part A, Section 11, Agency may assess liquidated damages in the amount of ten percent (10%) of the difference between the dollar amount of work required to be awarded to MBE and/or WBE firms to meet the **Participation Goals** and the dollar amount the Contractor actually awarded and paid, and/or credited, to MBE and/or WBE firms. In view of the difficulty of accurately ascertaining the loss which the City will suffer by reason of Contractor's failure to meet the **Participation Goals**, the foregoing amount is hereby fixed and agreed as the liquidated damages that the City will suffer by reason of such failure, and not as a penalty. Agency may deduct and retain out of any monies which may become due under this Contract the amount of any such liquidated damages; and in case the amount which may become due under this Contract shall be less than the amount of liquidated damages suffered by the City, the Contractor shall be liable to pay the difference.

5. Whenever Agency has reason to believe that an MBE and/or WBE is not qualified for certification, or is participating in a contract in a manner that does not serve a commercially useful function (as defined in Section 6-129(c)(8)), or has violated any provision of Section 6-129, Agency shall notify the Commissioner of DSBS who shall determine whether the certification of such business enterprise should be revoked.

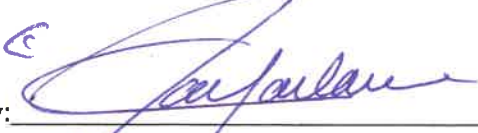
6. Statements made in any instrument submitted to Agency pursuant to Section 6-129 shall be submitted under penalty of perjury and any false or misleading statement or omission shall be grounds for the application of any applicable criminal and/or civil penalties for perjury. The making of a false or fraudulent statement by an MBE and/or WBE in any instrument submitted pursuant to Section 6-129 shall, in addition, be grounds for revocation of its certification.

7. The Contractor's record in implementing its M/WBE Utilization Plan shall be a factor in the evaluation of its performance. Whenever Agency determines that a Contractor's compliance with an M/WBE Utilization Plan has been unsatisfactory, Agency shall, after consultation with the City Chief Procurement Officer, file an advice of caution form for inclusion in VENDEX as caution data.

Deputy

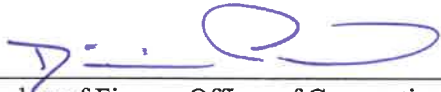
IN WITNESS WHEREOF, the ^{Deputy} Commissioner, on behalf of the City of New York, and the Contractor, have executed this agreement in quadruplicate, two parts of which are to remain with the Commissioner, another to be filed with the Comptroller of the City, and the fourth to be delivered to the Contractor.

THE CITY OF NEW YORK

By: 

Deputy Commissioner
OFFICE OF THE DEPUTY COMMISSIONER
100 WEST STREET, 10TH FLOOR
NEW YORK, NY 10038
TEL: (212) 312-2000
WWW.DCC.NY.GOV

CONTRACTOR: PAUL J. SCARIANO INC.

By: 
(Member of Firm or Officer of Corporation)

Title: President

(Where Contractor is a Corporation, add):
Attest:


Secretary

(Seal)

ACKNOWLEDGEMENT OF PRINCIPAL, IF A CORPORATION

State of New York County of Queens ss:

On this 3rd day of April, 2018, before me personally came Domini Parisi to me known who, being by me duly sworn did depose and say that he resides at 12 POTTER AVE NEW ROCHELLE NY 10801 that he is the PRESIDENT of the corporation described in and which executed the foregoing instrument; that he knows the seal of said corporation; that one of the seals affixed to said instrument is such seal; that it was so affixed by order of the directors of said corporation, and that he signed his name thereto by like order.

BRENDA A. BARREIRO
Notary Public, State of New York
No. 01BA6351073
Qualified in Kings County
Commission Expires Nov. 28, 2020

Brenda A Barreiro
Notary Public or Commissioner of Deeds

ACKNOWLEDGEMENT OF PRINCIPAL, IF A PARTNERSHIP

State of _____ County of _____ ss:

On this _____ day of _____, _____, before me personally appeared _____ to me known, and known to me to be one of the members of the firm of _____ described in and who executed the foregoing instrument; and he acknowledged to me that he executed the same as and for the act and deed of said firm.

Notary Public or Commissioner of Deeds

ACKNOWLEDGEMENT OF PRINCIPAL, IF AN INDIVIDUAL

State of _____ County of _____ ss:

On this _____ day of _____, _____, before me personally appeared _____ to me known, and known to me to be the person described in and who executed the foregoing instrument; and acknowledged that he executed the same.

Notary Public or Commissioner of Deeds

DEPUTY
ACKNOWLEDGEMENT BY COMMISSIONER

State of New York County of Queens ss:

On this 30th day of April, 2018, before me personally came Eric Macfarlane to me known, and known to be the Deputy Commissioner of the Department of Design and Construction of The City of New York, the person described as such in and who as such executed the foregoing instrument and acknowledged to me that he executed the same as Deputy Commissioner for the purposes therein mentioned.


Notary Public or Commissioner of Deeds

BRENDA A. BARREIRO
Notary Public, State of New York
No. 01BA6351073
Qualified in Kings County
Commission Expires Nov. 28, 2020

AUTHORITY

MAYOR'S CERTIFICATE NO, CBX
BUDGET DIRECTOR'S CERTIFICATE NO.

DATED
DATED

APPROPRIATION
COMMISSIONER'S CERTIFICATE

In conformity with the provisions of Section 6-101 of the Administrative Code of the City of New York, it is hereby certified that the estimated cost of the work, materials and supplies required by the within Contract, amounting to

Nine million, seven hundred forty-five thousand,
nine hundred seventy-nine dollars and seventy-one cents.

Dollars (\$ 9,745,979.71)

is chargeable to the fund of the Department of Design and Construction entitled Code

Department of Design and Construction

I hereby certify that the specifications contained herein comply with the terms and conditions of the BUDGET.


Deputy Commissioner

COMPTROLLER'S CERTIFICATE

The City of New York _____

Pursuant to the provisions of Section 6-101 of the Administrative Code of the City of New York, I hereby certify that there remains unapplied and unexpended a balance of the above mentioned fund applicable to this Contract sufficient to pay the estimated expense of executing the same viz:

\$ _____

Comptroller

MAYOR'S CERTIFICATE OR
CERTIFICATE OF THE DIRECTOR
OF THE BUDGET

Performance Bond #1 (Pages 100 to 103): Use if the total contract price is \$5 Million Or Less. Performance Bond #1 has been approved by the U.S. Small Business Administration (“SBA”) for participation in its Bond Guarantee Program.

PERFORMANCE BOND #1 (Page 1)

PERFORMANCE BOND #1

KNOW ALL PERSONS BY THESE PRESENTS:

That we, _____

hereinafter referred to as the “Principal,”
and, _____

hereinafter referred to as the “Surety” (“Sureties”) are held and firmly bound to THE CITY OF NEW YORK, hereinafter referred to as the “City” or to its successors and assigns in the penal sum of _____

(\$ _____) Dollars, lawful money of the United States for the payment of which said sum of money well and truly to be made, we, and each of us, bind ourselves, our heirs, executors, administrators, successors and assigns, jointly and severally, firmly by these presents.

WHEREAS, the Principal is about to enter, or has entered, into a Contract in writing with the City for _____

a copy of which Contract is annexed to and hereby made a part of this bond as though herein set forth in full;

NOW, THEREFORE, the conditions of this obligation are such that if the Principal, his or its representatives or assigns, shall well and faithfully perform the said Contract and all modifications, amendments, additions and alterations thereto that may hereafter be made, according to its terms and its true intent and meaning, including repair and or replacement of defective work and guarantees of maintenance for the periods stated in the Contract, and shall fully indemnify and save harmless the City from all cost and damage which it may suffer by reason of the Principal’s default of the Contract, and shall fully reimburse and repay the City for all outlay and expense which the City may incur in making

Performance Bond #1 (Pages 100 to 103): Use if the total contract price is \$5 Million Or Less. Performance Bond #1 has been approved by the U.S. Small Business Administration ("SBA") for participation in its Bond Guarantee Program.

PERFORMANCE BOND #1 (Page 2)

good any such default and shall protect the said City of New York against, and pay any and all amounts, damages, cost and judgments which may or shall be recovered against said City or its officers or agents or which the said City of New York may be called upon to pay any person or corporation by reason of any damages arising or growing out of the Principal's default of the Contract, then this obligation shall be null and void, otherwise to remain in full force and effect.

The Surety (Sureties), for value received, hereby stipulates and agrees, upon written notice from the City that the City has determined that the Principal is in default of the Contract, to (1) pay the City the cost to complete the contract as determined by the City in excess of the balance of the Contract held by the City, plus any damages or costs to which the City is entitled, up to the full amount of the above penal sum, (2) fully perform and complete the Work to be performed under the Contract, pursuant to the terms, conditions, and covenants thereof, or (3) tender a completion Contractor that is acceptable to the City. The Surety (Sureties) further agrees, at its option, either to notify the City that it elects to pay the city the cost of completion plus any applicable damages and costs under option (1) above, or to commence and diligently perform the Work specified in the Contract, including physical site work, within twenty-five (25) business days after written notice thereof from the City and, if the Surety elects to fully perform and complete the Work, then to complete all Work within the time set forth in the Contract or such other time as agreed to between the City and Surety in accordance with the Contract. If the Surety elects to tender payment pursuant to (1) above, then the Surety shall tender such amount within fifteen (15) business days notification from the City of the cost of completion. The Surety and the City reserve all rights and defenses each may have against the other; provided, however, that the Surety expressly agrees that its reservation of rights shall not provide a basis for non-performance of its obligation to pay the City the cost of completion, to commence and complete all Work as provided herein, or to tender a completion contractor.

The Surety (Sureties), for value received, for itself and its successors and assigns, hereby stipulates and agrees that the obligation of said Surety (Sureties) and its bond shall be in no way impaired or affected by any extension of time, modification, omission, addition, or change in or to the said Contract or the Work to be performed thereunder, or by any payment thereunder before the time required therein, or by any waiver of any provisions thereof, or any moneys due or to become due thereunder; and said Surety (Sureties) does hereby waive notice of any and all of such extensions, modifications, omissions, additions, changes, payments, and waivers, and hereby expressly stipulates and agrees that any and all things done and omitted to be done by and in relation to subcontractors shall have the same effect as to said Surety (Sureties) as though done or omitted to be done by or in relation to said Principal. Notwithstanding the above, if the City makes payments to the Principal before the time required by the contract that in the aggregate exceed \$100,000 or 10% of the Contract price, whichever is less, and that have not become earned prior to the Principal being found to be in default; then all payments made to the Principal before the time required by the Contract shall be added to the remaining contract value available to be paid for the completion of the Contract as if such sums had not been paid to the Principal, but shall not provide a basis for non-performance of its obligation to pay the City the cost of completion, to commence and to complete all Work as provided herein, or to tender a completion contractor.

Performance Bond #1 (Pages 100 to 103): Use if the total contract price is \$5 Million Or Less. Performance Bond #1 has been approved by the U.S. Small Business Administration (“SBA”) for participation in its Bond Guarantee Program.

PERFORMANCE BOND #1 (Page 3)

IN WITNESS WHEREOF, The Principal and the Surety (Sureties) have hereunto set their hands and seals, and such of them as are corporations have caused their corporate seals to be hereunto affixed and these presents to be signed by their proper officers, this

_____ day of _____, 20_____.

(Seal)

Principal (L.S.)

By: _____

(Seal)

Surety

By: _____

(Seal)

Surety

By: _____

(Seal)

Surety

By: _____

(Seal)

Surety

By: _____

(Seal)

Surety

By: _____

Bond Premium Rate _____.

Bond Premium Cost _____.

If the Contractor (Principal) is a partnership, the bond should be signed by each of the individuals who are partners.

If the Contractor (Principal) is a corporation, the bond should be signed in its correct corporate name by a duly authorized officer, agent, or attorney-in-fact.

There should be executed an appropriate number of counterparts of the bond corresponding to the number of counterparts of the Contract.

Performance Bond #1 (Pages 100 to 103): Use if the total contract price is \$5 Million Or Less. Performance Bond #1 has been approved by the U.S. Small Business Administration ("SBA") for participation in its Bond Guarantee Program.

PERFORMANCE BOND #1 (Page 4)

ACKNOWLEDGMENT OF PRINCIPAL IF A CORPORATION

State of _____ County of _____ ss:

On this _____ day of _____, 20 _____ before me personally came _____, to me known, who, being by me duly sworn did depose and say that he/she resides at _____

_____ ; that he/she is the _____ of the corporation described in and which executed the foregoing instrument; and that he/she signed his/her name to the foregoing instrument by order of the directors of said corporation as the duly authorized and binding act thereof.

Notary Public or Commissioner of Deeds.

ACKNOWLEDGMENT OF PRINCIPAL IF A PARTNERSHIP

State of _____ County of _____ ss:

On this _____ day of _____, 20 _____ before me personally came _____, to me known, who, being by me duly sworn did depose and say that he/she resides at _____

_____ ; that he/she is _____ partner of _____, a limited/general partnership existing under the laws of the State of _____, the partnership described in and which executed the foregoing instrument; and that he/she signed his/her name to the foregoing instrument as the duly authorized and binding act of said partnership.

Notary Public or Commissioner of Deeds.

ACKNOWLEDGMENT OF PRINCIPAL IF AN INDIVIDUAL

State of _____ County of _____ ss:

On this _____ day of _____, 20 _____ before me personally came _____, to me known, who, being by me duly sworn did depose and say that he/she resides at _____

_____ , and that he/she is the individual whose name is subscribed to the within instrument and acknowledged to me that by his/her signature on the instrument, said individual executed the instrument.

Notary Public or Commissioner of Deeds

Each executed bond should be accompanied by: (a) appropriate acknowledgments of the respective parties; (b) appropriate duly certified copy of Power of Attorney or other certificate of authority where bond is executed by agent, officer or other representative of Principal or Surety; (c) a duly certified extract from By-Laws or resolutions of Surety under which Power of Attorney or other certificate of authority of its agent, officer or representative was issued, and (d) certified copy of latest published financial statement of assets and liabilities of Surety.

Affix Acknowledgments and Justification of Sureties.

Performance Bond #2 (Pages 104 to 107): Use if the total contract price is more than \$5 Million.

PERFORMANCE BOND #2 (Page 1)

PERFORMANCE BOND #2

BOND NO: PRF765659500

KNOW ALL PERSONS BY THESE PRESENTS:

That we, PAUL J. SCARIANO, INC.

12 POTTER AVENUE

NEW ROCHELLE, NY 10801

hereinafter referred to as the "Principal,"

and, FIDELITY AND DEPOSIT COMPANY OF MARYLAND

ZURICH CONTRACT CLAIMS

300 INTERPACE PARKWAY, MORRIS CORP. I

1299 ZURICH WAY, SCHAUMBURG, IL 60196-1056

PARSIPPANY, NJ 07054

hereinafter referred to as the "Surety" ("Sureties") are held and firmly bound to THE CITY OF NEW YORK, hereinafter referred to as the "City" or to its successors and assigns in the penal sum of NINE MILLION SEVEN HUNDRED FORTY FIVE THOUSAND NINE HUNDRED

SEVENTY NINE AND 71/100 DOLLARS

(\$ 9,745,979.71) Dollars, lawful money of the United States for the payment of which said sum of money well and truly to be made, we, and each of us, bind ourselves, our heirs, executors, administrators, successors and assigns, jointly and severally, firmly by these presents.

WHEREAS, the Principal is about to enter, or has entered, into a Contract in writing with the City for

CONSTRUCTION OF STORM SEWER AND WATER MAIN IN 95TH STREET BETWEEN 160TH AVENUE & 162ND AVENUE

ETC - BOROUGH OF QUEENS FMS ID: SEQ200490 E-PIN: 85018B0057001 DDC PIN: 8502016SE0034C

a copy of which Contract is annexed to and hereby made a part of this bond as though herein set forth in full;

NOW, THEREFORE, the conditions of this obligation are such that if the Principal, his or its representatives or assigns, shall well and faithfully perform the said Contract and all modifications, amendments, additions and alterations thereto that may hereafter be made, according to its terms and its true intent and meaning, including repair and or replacement of defective work and guarantees of maintenance for the periods stated in the Contract, and shall fully indemnify and save harmless the City from all cost and damage which it may suffer by reason of the Principal's default of the Contract, and shall fully reimburse and repay the City for all outlay and expense which the City may incur in making

Performance Bond #2 (Pages 104 to 107): Use if the total contract price is more than \$5 Million.

PERFORMANCE BOND #2 (Page 2)

good any such default and shall protect the said City of New York against, and pay any and all amounts, damages, cost and judgments which may or shall be recovered against said City or its officers or agents or which the said City of New York may be called upon to pay any person or corporation by reason of any damages arising or growing out of the Principal's default of the Contract, then this obligation shall be null and void, otherwise to remain in full force and effect.

The Surety (Sureties), for value received, hereby stipulates and agrees, upon written notice from the City that the City has determined that the Principal is in default of the Contract, to either (1) pay the full amount of the above penal sum in complete discharge and exoneration of this bond and of all the liabilities of the Surety relating to this bond, or (2) fully perform and complete the Work to be performed under the Contract, pursuant to the terms, conditions, and covenants thereof. The Surety (Sureties) further agrees, at its option, either to tender the penal sum or to commence and diligently perform the Work specified in the Contract, including physical site work, within twenty-five (25) business days after written notice thereof from the City and to complete all Work within the time set forth in the Contract or such other time as agreed to between the City and Surety in accordance with the Contract. The Surety and the City reserve all rights and defenses each may have against the other; provided, however, that the Surety expressly agrees that its reservation of rights shall not provide a basis for non-performance of its obligation to commence and to complete all Work as provided herein.

The Surety (Sureties), for value received, for itself and its successors and assigns, hereby stipulates and agrees that the obligation of said Surety (Sureties) and its bond shall be in no way impaired or affected by any extension of time, modification, omission, addition, or change in or to the said Contract or the Work to be performed thereunder, or by any payment thereunder before the time required therein, or by any waiver of any provisions thereof, or by any assignment, subletting or other transfer thereof or of any Work to be performed or any moneys due or to become due thereunder; and said Surety (Sureties) does hereby waive notice of any and all of such extensions, modifications, omissions, additions, changes, payments, waivers, assignments, subcontracts and transfers, and hereby expressly stipulates and agrees that any and all things done and omitted to be done by and in relation to assignees, subcontractors, and other transferees shall have the same effect as to said Surety (Sureties) as though done or omitted to be done by or in relation to said Principal.

Performance Bond #2 (Pages 104 to 107): Use if the total contract price is more than \$5 Million.

PERFORMANCE BOND #2 (Page 3)

IN WITNESS WHEREOF, The Principal and the Surety (Sureties) have hereunto set their hands and seals, and such of them as are corporations have caused their corporate seals to be hereunto affixed and these presents to be signed by their proper officers, this

_____ 26th _____ day of _____ APRIL _____ 20 18 _____

(Seal) _____
PAUL J. SCARIANO, INC. (L.S.)
Principal

By: _____
Surety

(Seal) _____
FIDELITY AND DEPOSIT COMPANY AND MARYLAND

By: _____
DAVID A. GOLDSTEIN, ATTORNEY-IN-FACT
Surety

(Seal) _____
By: _____

(Seal) _____
Surety

(Seal) _____
By: _____

(Seal) _____
Surety

(Seal) _____
By: _____

(Seal) _____
Surety

(Seal) _____
By: _____

Bond Premium Rate SLIDING SCALE

Bond Premium Cost \$86,887.00

If the Contractor (Principal) is a partnership, the bond should be signed by each of the individuals who are partners.

If the Contractor (Principal) is a corporation, the bond should be signed in its correct corporate name by a duly authorized officer, agent, or attorney-in-fact.

There should be executed an appropriate number of counterparts of the bond corresponding to the number of counterparts of the Contract.

Performance Bond #2 (Pages 104 to 107): Use if the total contract price is more than \$5 Million.

PERFORMANCE BOND #2 (Page 4)

ACKNOWLEDGMENT OF PRINCIPAL IF A CORPORATION

State of New York County of Westchester ss:
On this 26th day of April, 2018 before me personally
came Dominic Parisi,

to me known, who, being by me duly sworn did depose and say that he resides
at Armonk N.Y.; that he/she is the President
of the corporation described in and which executed the foregoing instrument; that he/she signed his/her name to the
foregoing instrument by order of the directors of said corporation as the duly authorized and binding act thereof.

Laura Eisenhardt
Notary Public or Commissioner of Deeds.

LAURA EISENHARDT
NOTARY PUBLIC, STATE OF NEW YORK
NO. 43-4985933
QUALIFIED IN RICHMOND COUNTY
TERM EXPIRES SEPT. 30, 2021

ACKNOWLEDGMENT OF PRINCIPAL IF A PARTNERSHIP

State of _____ County of _____ ss:
On this _____ day of _____, 20 _____ before me personally
came _____

to me known, who, being by me duly sworn did depose and say that he/she resides
at _____
_____ ; that he/she is _____ partner of
_____, a limited/general partnership existing under the laws of the State of
_____, the partnership described in and which executed the foregoing instrument;
and that he/she signed his/her name to the foregoing instrument as the duly authorized and binding act of
said partnership.

Notary Public or Commissioner of Deeds

ACKNOWLEDGMENT OF PRINCIPAL IF AN INDIVIDUAL

State of _____ County of _____ ss:
On this _____ day of _____, 20 _____ before me personally
came _____

to me known, who, being by me duly sworn did depose and say that he/she resides
at _____, and that he/she is the individual whose name is
subscribed to the within instrument and acknowledged to me that by his/her signature on the
instrument, said individual executed the instrument.

Notary Public or Commissioner of Deeds

Each executed bond should be accompanied by: (a) appropriate acknowledgments of the respective parties; (b) appropriate
duly certified copy of Power of Attorney or other certificate of authority where bond is executed by agent, officer or other
representative of Principal or Surety; (c) a duly certified extract from By-Laws or resolutions of Surety under which Power
of Attorney or other certificate of authority of its agent, officer or representative was issued, and (d) certified copy of latest
published financial statement of assets and liabilities of Surety.

Affix Acknowledgments and Justification of Sureties.

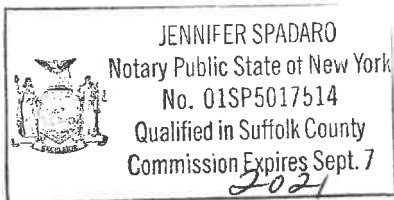
ACKNOWLEDGEMENT OF SURETY

State of **NEW YORK**)

:SS:

County of **SUFFOLK**)

On the **26th** day of **APRIL**, 20 **18**, before me personally came **DAVID A. GOLDSTEIN** to me known, who, being by me duly sworn, did depose and say the (s)he resides at **MERRICK, NEW YORK** that (s)he is the Attorney-In-Fact of **FIDELITY AND DEPOSIT COMPANY OF MARYLAND** the Corporation described in and which executed the above instrument; that (s)he knows the seal of said Corporation; that one of the seals affixed by order of the Board of Directors of said Corporation; and that (s)he signed his/her name thereto by like order.



Jennifer Spadaro

Notary Public

ZURICH AMERICAN INSURANCE COMPANY
COLONIAL AMERICAN CASUALTY AND SURETY COMPANY
FIDELITY AND DEPOSIT COMPANY OF MARYLAND
POWER OF ATTORNEY

KNOW ALL MEN BY THESE PRESENTS: That the ZURICH AMERICAN INSURANCE COMPANY, a corporation of the State of New York, the COLONIAL AMERICAN CASUALTY AND SURETY COMPANY, a corporation of the State of Maryland, and the FIDELITY AND DEPOSIT COMPANY OF MARYLAND a corporation of the State of Maryland (herein collectively called the "Companies"), by **MICHAEL BOND, Vice President**, in pursuance of authority granted by Article V, Section 8, of the By-Laws of said Companies, which are set forth on the reverse side hereof and are hereby certified to be in full force and effect on the date hereof, do hereby nominate, constitute, and appoint **Glenn GLUBIAK, Jennifer SPADARO, Penny ROCCO and David A. GOLDSTEIN, all of Smithtown, New York, EACH** its true and lawful agent and Attorney-in-Fact, to make, execute, seal and deliver, for, and on its behalf as surety, and as its act and deed: **any and all bonds and undertakings**, and the execution of such bonds or undertakings in pursuance of these presents, shall be as binding upon said Companies, as fully and amply, to all intents and purposes, as if they had been duly executed and acknowledged by the regularly elected officers of the ZURICH AMERICAN INSURANCE COMPANY at its office in New York, New York., the regularly elected officers of the COLONIAL AMERICAN CASUALTY AND SURETY COMPANY at its office in Owings Mills, Maryland., and the regularly elected officers of the FIDELITY AND DEPOSIT COMPANY OF MARYLAND at its office in Owings Mills, Maryland., in their own proper persons.

The said Vice President does hereby certify that the extract set forth on the reverse side hereof is a true copy of Article V, Section 8, of the By-Laws of said Companies, and is now in force.

IN WITNESS WHEREOF, the said Vice-President has hereunto subscribed his/her names and affixed the Corporate Seals of the said **ZURICH AMERICAN INSURANCE COMPANY, COLONIAL AMERICAN CASUALTY AND SURETY COMPANY, and FIDELITY AND DEPOSIT COMPANY OF MARYLAND**, this 22nd day of June, A.D. 2017.

ATTEST:

ZURICH AMERICAN INSURANCE COMPANY
COLONIAL AMERICAN CASUALTY AND SURETY COMPANY
FIDELITY AND DEPOSIT COMPANY OF MARYLAND



Dawn E. Brown

By: _____
Assistant Secretary
Dawn E. Brown

Michael Bond

Vice President
Michael Bond

State of Maryland
County of Baltimore

On this 22nd day of June, A.D. 2017, before the subscriber, a Notary Public of the State of Maryland, duly commissioned and qualified, **MICHAEL BOND, Vice President, and DAWN E. BROWN, Assistant Secretary**, of the Companies, to me personally known to be the individuals and officers described in and who executed the preceding instrument, and acknowledged the execution of same, and being by me duly sworn, depose and saith, that he/she is the said officer of the Company aforesaid, and that the seals affixed to the preceding instrument are the Corporate Seals of said Companies, and that the said Corporate Seals and the signature as such officer were duly affixed and subscribed to the said instrument by the authority and direction of the said Corporations.

IN TESTIMONY WHEREOF, I have hereunto set my hand and affixed my Official Seal the day and year first above written.

Constance A. Dunn

Constance A. Dunn, Notary Public
My Commission Expires: July 9, 2019



EXTRACT FROM BY-LAWS OF THE COMPANIES

"Article V, Section 8, Attorneys-in-Fact. The Chief Executive Officer, the President, or any Executive Vice President or Vice President may, by written instrument under the attested corporate seal, appoint attorneys-in-fact with authority to execute bonds, policies, recognizances, stipulations, undertakings, or other like instruments on behalf of the Company, and may authorize any officer or any such attorney-in-fact to affix the corporate seal thereto; and may with or without cause modify or revoke any such appointment or authority at any time."

CERTIFICATE

I, the undersigned, Vice President of the ZURICH AMERICAN INSURANCE COMPANY, the COLONIAL AMERICAN CASUALTY AND SURETY COMPANY, and the FIDELITY AND DEPOSIT COMPANY OF MARYLAND, do hereby certify that the foregoing Power of Attorney is still in full force and effect on the date of this certificate; and I do further certify that Article V, Section 8, of the By-Laws of the Companies is still in force.

This Power of Attorney and Certificate may be signed by facsimile under and by authority of the following resolution of the Board of Directors of the ZURICH AMERICAN INSURANCE COMPANY at a meeting duly called and held on the 15th day of December 1998.

RESOLVED: "That the signature of the President or a Vice President and the attesting signature of a Secretary or an Assistant Secretary and the Seal of the Company may be affixed by facsimile on any Power of Attorney...Any such Power or any certificate thereof bearing such facsimile signature and seal shall be valid and binding on the Company."

This Power of Attorney and Certificate may be signed by facsimile under and by authority of the following resolution of the Board of Directors of the COLONIAL AMERICAN CASUALTY AND SURETY COMPANY at a meeting duly called and held on the 5th day of May, 1994, and the following resolution of the Board of Directors of the FIDELITY AND DEPOSIT COMPANY OF MARYLAND at a meeting duly called and held on the 10th day of May, 1990.

RESOLVED: "That the facsimile or mechanically reproduced seal of the company and facsimile or mechanically reproduced signature of any Vice-President, Secretary, or Assistant Secretary of the Company, whether made heretofore or hereafter, wherever appearing upon a certified copy of any power of attorney issued by the Company, shall be valid and binding upon the Company with the same force and effect as though manually affixed.

IN TESTIMONY WHEREOF, I have hereunto subscribed my name and affixed the corporate seals of the said Companies, this 26th day of April, 2018.



David McVicker

David McVicker, Vice President

TO REPORT A CLAIM WITH REGARD TO A SURETY BOND, PLEASE SUBMIT ALL REQUIRED INFORMATION TO:

Zurich American Insurance Co.
Attn: Surety Claims
1299 Zurich Way
Schaumburg, IL 60196-1056

THE FIDELITY AND DEPOSIT COMPANY

OF MARYLAND

600 Red Brook Blvd., Suite 600, Owings Mills, MD 21117

Statement of Financial Condition

As Of December 31, 2017

ASSETS

Bonds	\$ 131,463,323
Stocks	23,365,385
Cash and Short Term Investments	15,943,690
Reinsurance Recoverable	7,520,824
Federal Income Tax Recoverable	62,266
Other Accounts Receivable	35,672,323
TOTAL ADMITTED ASSETS	\$ 214,027,811

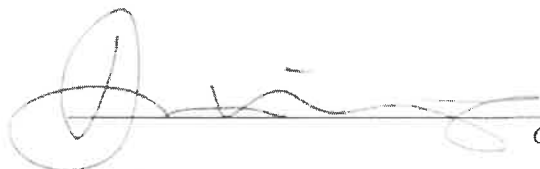
LIABILITIES, SURPLUS AND OTHER FUNDS

Reserve for Taxes and Expenses	\$ 580,990
Ceded Reinsurance Premiums Payable	42,235,595
Securities Lending Collateral Liability	0
TOTAL LIABILITIES	\$ 42,816,584
Capital Stock, Paid Up	\$ 5,000,000
Surplus	166,211,227
Surplus as regards Policyholders	171,211,226
TOTAL	\$ 214,027,811

Securities carried at \$62,198,396 in the above statement are deposited with various states as required by law.

Securities carried on the basis prescribed by the National Association of Insurance Commissioners. On the basis of market quotations for all bonds and stocks owned, the Company's total admitted assets at December 31, 2017 would be \$213,515,173 and surplus as regards policyholders \$170,698,588.

I, DENNIS F. KERRIGAN, Corporate Secretary of the FIDELITY AND DEPOSIT COMPANY OF MARYLAND, do hereby certify that the foregoing statement is a correct exhibit of the assets and liabilities of the said Company on the 31st day of December, 2017.



 Corporate Secretary

State of Illinois }
 City of Schaumburg } SS:

Subscribed and sworn to, before me, a Notary Public of the State of Illinois, in the City of Schaumburg, this 9th day of March, 2018.



 Notary Public



Payment Bond (Pages 108 to 111): Use for any contract for which a Payment Bond is required.

PAYMENT BOND (Page 1)

PAYMENT BOND

KNOW ALL PERSONS BY THESE PRESENTS, That we, _____

PAUL J. SCARIANO, INC.

12 POTTER AVENUE

NEW ROCHELLE, NY 10801

hereinafter referred to as the "Principal", and _____

FIDELITY AND DEPOSIT COMPANY OF MARYLAND ZURICH CONTRACT CLAIMS

300 INTERPACE PARKWAY, MORRIS CORP. I

1299 ZURICH WAY, SCHAUMBURG, IL 60196-1056

PARSIPPANY, NJ 07054

hereinafter referred to as the "Surety" ("Sureties") are held and firmly bound to THE CITY OF NEW YORK, hereinafter referred to as the "City" or to its successors and assigns, in the penal sum of

NINE MILLION SEVEN HUNDRED FORTY FIVE THOUSAND

NINE HUNDRED SEVENTY NINE AND 71/100

(\$9,745,979.71) Dollars, lawful money of the United States, for the payment of which said sum of money well and truly to be made, we, and each of us, bind ourselves, our heirs, executors, administrators, successors and assigns, jointly and severally, firmly by these presents.

WHEREAS, the Principal is about to enter, or has entered, into a Contract in writing with the City for
CONSTRUCTION OF STORM SEWER AND WATER MAIN IN 95TH STREET BETWEEN 160TH AVENUE & 162ND AVENUE
ETC - BOROUGH OF QUEENS FMS ID: SEQ200490 E-PIN: 85018B0057001 DDC PIN: 8502016SE0034C

a copy of which Contract is annexed to and hereby made a part of this bond as though herein set forth in full;

NOW, THEREFORE, the conditions of this obligation are such that if the Principal, his or its representatives or assigns and other Subcontractors to whom Work under this Contract is sublet and his or their successors and assigns shall promptly pay or cause to be paid all lawful claims for

(a) Wages and compensation for labor performed and services rendered by all persons engaged in the prosecution of the Work under said Contract, and any amendment or extension thereof or addition thereto, whether such persons be agents servants or employees of the Principal or any such Subcontractor, including all persons so engaged who perform the work of laborers or mechanics at or in the vicinity of the site

Payment Bond (Pages 108 to 111): Use for any contract for which a Payment Bond is required.

PAYMENT BOND (Page 2)

of the Project regardless of any contractual relationship between the Principal or such Subcontractors, or his or their successors or assigns, on the one hand and such laborers or mechanics on the other, but not including office employees not regularly stationed at the site of the project; and

(b) Materials and supplies (whether incorporated in the permanent structure or not), as well as teams, fuels, oils, implements or machinery furnished, used or consumed by said Principal or any subcontractor at or in the vicinity of the site of the Project in the prosecution of the Work under said Contract and any amendment or extension thereof or addition thereto; then this obligation shall be void, otherwise to remain in full force and effect.

This bond is subject to the following additional conditions, limitations and agreements:

(a) The Principal and Surety (Sureties) agree that this bond shall be for the benefit of any materialmen or laborer having a just claim, as well as the City itself.

(b) All persons who have performed labor, rendered services or furnished materials and supplies, as aforesaid, shall have a direct right of action against the Principal and his, its or their successors and assigns, and the Surety (Sureties) herein, or against either or both or any of them and their successors and assigns. Such persons may sue in their own name, and may prosecute the suit to judgment and execution without the necessity of joining with any other persons as party plaintiff.

(c) The Principal and Surety (Sureties) agree that neither of them will hold the City liable for any judgment for costs of otherwise, obtained by either or both of them against a laborer or materialman in a suit brought by either a laborer or materialman under this bond for moneys allegedly due for performing work or furnishing material.

(d) The Surety (Sureties) or its successors and assigns shall not be liable for any compensation recoverable by an employee or laborer under the Workmen's Compensation Law.

(e) In no event shall the Surety (Sureties), or its successors or assigns, be liable for a greater sum than the penalty of this bond or be subject to any suit, action or proceeding hereon that is instituted by any person, firm, or corporation hereunder later than two years after the complete performance of said Contract and final settlement thereof.

The Principal, for himself and his successors and assigns, and the Surety (Sureties), for itself and its successors and assigns, do hereby expressly waive any objection that might be interposed as to the right of the City to require a bond containing the foregoing provisions, and they do hereby further expressly waive any defense which they or either of them might interpose to an action brought hereon by any person, firm or corporation, including subcontractors, materialmen and third persons, for work, labor, services, supplies or material performed rendered, or furnished as aforesaid upon the ground that there is no law authorizing the City to require the foregoing provisions to be place in this bond.

And the Surety (Sureties), for value received, for itself and its successors and assigns, hereby stipulates and agrees that the obligation of said Surety (Sureties), and its bonds shall be in no way impaired or affected by any extension of time, modification, omission, addition, or change in or of the said Contract or the work to be performed thereunder, or by any payment thereunder before the time required therein, or by any waiver of any provisions thereof, or by any assignment, subletting or other transfer thereof or of any part thereof, or of any Work to be performed, or any moneys due to become due thereunder and said Surety (Sureties) does hereby waive notice of any and all of such extensions, modifications, omissions, additions, changes, payments, waivers, assignments, subcontracts and transfers, and hereby expressly stipulates and agrees that any and all things done and omitted to be done by and in relation to assignees, Subcontractors, and other transferees shall have the same effect as to said Surety (Sureties) as though done or omitted to be done or in relation to said Principal.

Payment Bond (Pages 108 to 111): Use for any contract for which a Payment Bond is required.

PAYMENT BOND (Page 3)

IN WITNESS WHEREOF, the Principal and the Surety (Sureties) have hereunto set their hands and seals, and such of them as are corporations have caused their corporate seals to be hereunto affixed and these presents to be signed by their proper officers, this 26th day of APRIL, 2018.

(Seal)

PAUL J. SCARIANO, INC. _____ (L.S.)
Principal


By: _____



(Seal)

FIDELITY AND DEPOSIT COMPANY OF MARYLAND
Surety

By: _____



DAVID A. GOLDSTEIN, ATTORNEY-IN-FACT

(Seal)

Surety

By: _____

(Seal)

Surety

By: _____

(Seal)

Surety

By: _____

If the Contractor (Principal) is a partnership, the bond should be signed by each of the individuals who are partners.

If the Contractor (Principal) is a corporation, the bond should be signed in its correct corporate name by a duly authorized officer, agent, or attorney-in-fact.

There should be executed an appropriate number of counterparts of the bond corresponding to the number of counterparts of the Contract.

Payment Bond (Pages 108 to 111): Use for any contract for which a Payment Bond is required.

PAYMENT BOND (Page 4)

ACKNOWLEDGMENT OF PRINCIPAL, IF A CORPORATION

State of New York County of Westchester ss:

On this 26th day of April, 2018, before me personally came Dominic Pecci to me known, who, being by me duly sworn did depose and say that he resides at Admonil n.Y. that he is the Pres of 10407 of the corporation described in and which executed the foregoing instrument; that he knows the seal of said corporation; that one of the seals affixed to said instrument is such seal; that it was so affixed by order of the Director of said corporation, and that he signed his name thereto by like order.

LAURA EISENHARDT
NOTARY PUBLIC, STATE OF NEW YORK
NO. 43-4985933
QUALIFIED IN RICHMOND COUNTY
TERM EXPIRES SEPT. 3, 2021

Laura Eisenhardt
Notary Public or Commissioner of Deeds

ACKNOWLEDGMENT OF PRINCIPAL, IF A PARTNERSHIP

State of _____ County of _____ ss:

On this _____ day of _____, _____, before me personally appeared _____ to me known, and known to me to be one of the members of the firm of _____ described in and who executed the foregoing instrument; and he acknowledged to me that he executed the same as and for the act and deed of said firm.

Notary Public or Commissioner of Deeds

ACKNOWLEDGMENT OF PRINCIPAL, IF AN INDIVIDUAL

State of _____ County of _____ ss:

On this _____ day of _____, _____, before me personally appeared _____ to me known, and known to me to be the person described in and who executed the foregoing instrument; and acknowledged that he executed the same.

Notary Public or Commissioner of Deeds

Each executed bond should be accompanied by: (a) appropriate acknowledgments of the respective parties; (b) appropriate duly certified copy of Power of Attorney or other certificate of authority where bond is executed by agent, officer or other representative of Principal or Surety; (c) a duly certified extract from By-Laws or resolutions of Surety under which Power of Attorney or other certificate of authority of its agent, officer or representative was issued, and (d) certified copy of latest published financial statement of assets and liabilities of Surety.

Affix Acknowledgments and Justification of Sureties.

(NO TEXT ON THIS PAGE)

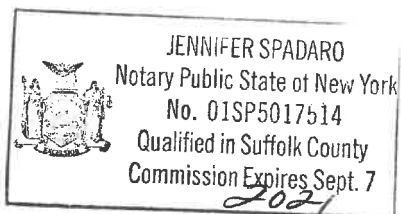
ACKNOWLEDGEMENT OF SURETY

State of **NEW YORK**)

:ss:

County of **SUFFOLK**)

On the **26th** day of **APRIL**, 20 **18**, before me personally came **DAVID A. GOLDSTEIN** to me known, who, being by me duly sworn, did depose and say the (s)he resides at **MERRICK, NEW YORK** that (s)he is the Attorney-In-Fact of **FIDELITY AND DEPOSIT COMPANY OF MARYLAND** the Corporation described in and which executed the above instrument; that (s)he knows the seal of said Corporation; that one of the seals affixed by order of the Board of Directors of said Corporation; and that (s)he signed his/her name thereto by like order.



Jennifer Spadaro

Notary Public

**ZURICH AMERICAN INSURANCE COMPANY
COLONIAL AMERICAN CASUALTY AND SURETY COMPANY
FIDELITY AND DEPOSIT COMPANY OF MARYLAND
POWER OF ATTORNEY**

KNOW ALL MEN BY THESE PRESENTS: That the ZURICH AMERICAN INSURANCE COMPANY, a corporation of the State of New York, the COLONIAL AMERICAN CASUALTY AND SURETY COMPANY, a corporation of the State of Maryland, and the FIDELITY AND DEPOSIT COMPANY OF MARYLAND a corporation of the State of Maryland (herein collectively called the "Companies"), by **MICHAEL BOND, Vice President**, in pursuance of authority granted by Article V, Section 8, of the By-Laws of said Companies, which are set forth on the reverse side hereof and are hereby certified to be in full force and effect on the date hereof, do hereby nominate, constitute, and appoint **Glenn GLUBIAK, Jennifer SPADARO, Penny ROCCO and David A. GOLDSTEIN, all of Smithtown, New York, EACH** its true and lawful agent and Attorney-in-Fact, to make, execute, seal and deliver, for, and on its behalf as surety, and as its act and deed: **any and all bonds and undertakings**, and the execution of such bonds or undertakings in pursuance of these presents, shall be as binding upon said Companies, as fully and amply, to all intents and purposes, as if they had been duly executed and acknowledged by the regularly elected officers of the ZURICH AMERICAN INSURANCE COMPANY at its office in New York, New York., the regularly elected officers of the COLONIAL AMERICAN CASUALTY AND SURETY COMPANY at its office in Owings Mills, Maryland., and the regularly elected officers of the FIDELITY AND DEPOSIT COMPANY OF MARYLAND at its office in Owings Mills, Maryland., in their own proper persons.

The said Vice President does hereby certify that the extract set forth on the reverse side hereof is a true copy of Article V, Section 8, of the By-Laws of said Companies, and is now in force.

IN WITNESS WHEREOF, the said Vice-President has hereunto subscribed his/her names and affixed the Corporate Seals of the said **ZURICH AMERICAN INSURANCE COMPANY, COLONIAL AMERICAN CASUALTY AND SURETY COMPANY, and FIDELITY AND DEPOSIT COMPANY OF MARYLAND**, this 22nd day of June, A.D. 2017.

ATTEST:

**ZURICH AMERICAN INSURANCE COMPANY
COLONIAL AMERICAN CASUALTY AND SURETY COMPANY
FIDELITY AND DEPOSIT COMPANY OF MARYLAND**



By: *Dawn E. Brown*
*Assistant Secretary
Dawn E. Brown*

Michael Bond
*Vice President
Michael Bond*

State of Maryland
County of Baltimore

On this 22nd day of June, A.D. 2017, before the subscriber, a Notary Public of the State of Maryland, duly commissioned and qualified, **MICHAEL BOND, Vice President, and DAWN E. BROWN, Assistant Secretary**, of the Companies, to me personally known to be the individuals and officers described in and who executed the preceding instrument, and acknowledged the execution of same, and being by me duly sworn, deposeth and saith, that he/she is the said officer of the Company aforesaid, and that the seals affixed to the preceding instrument are the Corporate Seals of said Companies, and that the said Corporate Seals and the signature as such officer were duly affixed and subscribed to the said instrument by the authority and direction of the said Corporations.

IN TESTIMONY WHEREOF, I have hereunto set my hand and affixed my Official Seal the day and year first above written.

Constance A. Dunn



Constance A. Dunn, Notary Public
My Commission Expires: July 9, 2019

EXTRACT FROM BY-LAWS OF THE COMPANIES

"Article V, Section 8, Attorneys-in-Fact. The Chief Executive Officer, the President, or any Executive Vice President or Vice President may, by written instrument under the attested corporate seal, appoint attorneys-in-fact with authority to execute bonds, policies, recognizances, stipulations, undertakings, or other like instruments on behalf of the Company, and may authorize any officer or any such attorney-in-fact to affix the corporate seal thereto; and may with or without cause modify or revoke any such appointment or authority at any time."

CERTIFICATE

I, the undersigned, Vice President of the ZURICH AMERICAN INSURANCE COMPANY, the COLONIAL AMERICAN CASUALTY AND SURETY COMPANY, and the FIDELITY AND DEPOSIT COMPANY OF MARYLAND, do hereby certify that the foregoing Power of Attorney is still in full force and effect on the date of this certificate; and I do further certify that Article V, Section 8, of the By-Laws of the Companies is still in force.

This Power of Attorney and Certificate may be signed by facsimile under and by authority of the following resolution of the Board of Directors of the ZURICH AMERICAN INSURANCE COMPANY at a meeting duly called and held on the 15th day of December 1998.

RESOLVED: "That the signature of the President or a Vice President and the attesting signature of a Secretary or an Assistant Secretary and the Seal of the Company may be affixed by facsimile on any Power of Attorney...Any such Power or any certificate thereof bearing such facsimile signature and seal shall be valid and binding on the Company."

This Power of Attorney and Certificate may be signed by facsimile under and by authority of the following resolution of the Board of Directors of the COLONIAL AMERICAN CASUALTY AND SURETY COMPANY at a meeting duly called and held on the 5th day of May, 1994, and the following resolution of the Board of Directors of the FIDELITY AND DEPOSIT COMPANY OF MARYLAND at a meeting duly called and held on the 10th day of May, 1990.

RESOLVED: "That the facsimile or mechanically reproduced seal of the company and facsimile or mechanically reproduced signature of any Vice-President, Secretary, or Assistant Secretary of the Company, whether made heretofore or hereafter, wherever appearing upon a certified copy of any power of attorney issued by the Company, shall be valid and binding upon the Company with the same force and effect as though manually affixed.

IN TESTIMONY WHEREOF, I have hereunto subscribed my name and affixed the corporate seals of the said Companies, this 26th day of April, 2018.



David McVicker

David McVicker, Vice President

TO REPORT A CLAIM WITH REGARD TO A SURETY BOND, PLEASE SUBMIT ALL REQUIRED INFORMATION TO:

Zurich American Insurance Co.
Attn: Surety Claims
1299 Zurich Way
Schaumburg, IL 60196-1056

THE FIDELITY AND DEPOSIT COMPANY

OF MARYLAND

600 Red Brook Blvd., Suite 600, Owings Mills, MD 21117

Statement of Financial Condition

As Of December 31, 2017

ASSETS

Bonds	\$ 131,463,323
Stocks	23,365,385
Cash and Short Term Investments.....	15,943,690
Reinsurance Recoverable	7,520,824
Federal Income Tax Recoverable.....	62,266
Other Accounts Receivable.....	35,672,323
TOTAL ADMITTED ASSETS	\$ 214,027,811

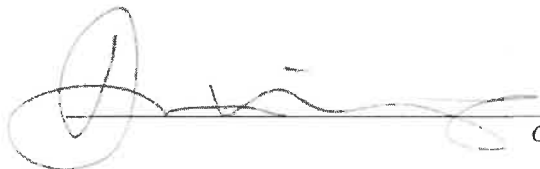
LIABILITIES, SURPLUS AND OTHER FUNDS

Reserve for Taxes and Expenses.....	\$ 580,990
Ceded Reinsurance Premiums Payable	42,235,595
Securities Lending Collateral Liability	0
TOTAL LIABILITIES.....	\$ 42,816,584
Capital Stock, Paid Up.....	\$ 5,000,000
Surplus	166,211,227
Surplus as regards Policyholders.....	171,211,226
TOTAL	\$ 214,027,811

Securities carried at \$62,198,396 in the above statement are deposited with various states as required by law.

Securities carried on the basis prescribed by the National Association of Insurance Commissioners. On the basis of market quotations for all bonds and stocks owned, the Company's total admitted assets at December 31, 2017 would be \$213,515,173 and surplus as regards policyholders \$170,698,588.

I, DENNIS F. KERRIGAN, Corporate Secretary of the FIDELITY AND DEPOSIT COMPANY OF MARYLAND, do hereby certify that the foregoing statement is a correct exhibit of the assets and liabilities of the said Company on the 31st day of December, 2017.



 Corporate Secretary

State of Illinois }
 City of Schaumburg } SS:

Subscribed and sworn to, before me, a Notary Public of the State of Illinois, in the City of Schaumburg, this 9th day of March, 2018.



 Notary Public





PAULJ-1

OP ID: CB

CERTIFICATE OF LIABILITY INSURANCE

DATE (MM/DD/YYYY)

04/26/2018

THIS CERTIFICATE IS ISSUED AS A MATTER OF INFORMATION ONLY AND CONFERS NO RIGHTS UPON THE CERTIFICATE HOLDER. THIS CERTIFICATE DOES NOT AFFIRMATIVELY OR NEGATIVELY AMEND, EXTEND OR ALTER THE COVERAGE AFFORDED BY THE POLICIES BELOW. THIS CERTIFICATE OF INSURANCE DOES NOT CONSTITUTE A CONTRACT BETWEEN THE ISSUING INSURER(S), AUTHORIZED REPRESENTATIVE OR PRODUCER, AND THE CERTIFICATE HOLDER.

IMPORTANT: If the certificate holder is an ADDITIONAL INSURED, the policy(ies) must have ADDITIONAL INSURED provisions or be endorsed. If SUBROGATION IS WAIVED, subject to the terms and conditions of the policy, certain policies may require an endorsement. A statement on this certificate does not confer rights to the certificate holder in lieu of such endorsement(s).

PRODUCER Robert C. Bill Associates, Inc 150 Broadhollow Road Suite 307 Melville, NY 11747	631-424-3300	CONTACT NAME: Colleen Brosnahan PHONE (A/C, No, Ext): 631-424-3300 FAX (A/C, No): 631-427-0105 E-MAIL ADDRESS: Cbrosnahan@robertcbillassociates.com
INSURED PAUL J. SCARIANO, INC. 12 Potter Avenue New Rochelle, NY 10801		INSURER(S) AFFORDING COVERAGE
		NAIC #
		INSURER A: Travelers Indemnity Company 25658
		INSURER B: Starr Indemnity & Liability Co 38318
		INSURER C: State Insurance Fund 36102
		INSURER D: The Charter Oak Fire Ins. Co. 25615
		INSURER E: Travelers Property Casualty Co 25674
		INSURER F:

COVERAGES CERTIFICATE NUMBER: REVISION NUMBER:

THIS IS TO CERTIFY THAT THE POLICIES OF INSURANCE LISTED BELOW HAVE BEEN ISSUED TO THE INSURED NAMED ABOVE FOR THE POLICY PERIOD INDICATED. NOTWITHSTANDING ANY REQUIREMENT, TERM OR CONDITION OF ANY CONTRACT OR OTHER DOCUMENT WITH RESPECT TO WHICH THIS CERTIFICATE MAY BE ISSUED OR MAY PERTAIN, THE INSURANCE AFFORDED BY THE POLICIES DESCRIBED HEREIN IS SUBJECT TO ALL THE TERMS, EXCLUSIONS AND CONDITIONS OF SUCH POLICIES. LIMITS SHOWN MAY HAVE BEEN REDUCED BY PAID CLAIMS.

INSR LTR	TYPE OF INSURANCE	ADDL INSD	SUBR WVD	POLICY NUMBER	POLICY EFF (MM/DD/YYYY)	POLICY EXP (MM/DD/YYYY)	LIMITS
A	<input checked="" type="checkbox"/> COMMERCIAL GENERAL LIABILITY <input type="checkbox"/> CLAIMS-MADE <input checked="" type="checkbox"/> OCCUR GEN'L AGGREGATE LIMIT APPLIES PER: <input type="checkbox"/> POLICY <input checked="" type="checkbox"/> PROJECT <input type="checkbox"/> LOC OTHER:	Y	Y	DT-CO-1H633717-IND-18	04/26/2018	04/26/2019	EACH OCCURRENCE \$ 2,000,000 DAMAGE TO RENTED PREMISES (Ea occurrence) \$ 300,000 MED EXP (Any one person) \$ 10,000 PERSONAL & ADV INJURY \$ 2,000,000 GENERAL AGGREGATE \$ 4,000,000 PRODUCTS - COM/OP AGG \$ 4,000,000 Emp Ben. \$ 1,000,000
D	<input checked="" type="checkbox"/> AUTOMOBILE LIABILITY <input checked="" type="checkbox"/> ANY AUTO OWNED AUTOS ONLY <input type="checkbox"/> SCHEDULED AUTOS <input type="checkbox"/> HIRED AUTOS ONLY <input type="checkbox"/> NON-OWNED AUTOS ONLY			DT-810-1H633717-TIA-18	04/26/2018	04/26/2019	COMBINED SINGLE LIMIT (Ea accident) \$ 1,000,000 BODILY INJURY (Per person) \$ BODILY INJURY (Per accident) \$ PROPERTY DAMAGE (Per accident) \$
B	<input checked="" type="checkbox"/> UMBRELLA LIAB <input checked="" type="checkbox"/> OCCUR <input type="checkbox"/> EXCESS LIAB <input type="checkbox"/> CLAIMS-MADE DED RETENTION \$	Y	Y	1000585086181	04/26/2018	04/26/2019	EACH OCCURRENCE \$ 10,000,000 AGGREGATE \$
C	WORKERS COMPENSATION AND EMPLOYERS' LIABILITY ANY PROPRIETOR/PARTNER/EXECUTIVE OFFICER/MEMBER EXCLUDED? (Mandatory in NH) <input type="checkbox"/> Y/N N/A If yes, describe under DESCRIPTION OF OPERATIONS below			G1447727-7	04/01/2018	04/01/2019	<input checked="" type="checkbox"/> PER STATUTE <input type="checkbox"/> OTH-ER E.L. EACH ACCIDENT \$ E.L. DISEASE - EA EMPLOYEE \$ E.L. DISEASE - POLICY LIMIT \$
E	Equipment Floater			QT-660-8K654287-TIL-18	04/26/2018	04/26/2019	Leased & Rented 150,000

DESCRIPTION OF OPERATIONS / LOCATIONS / VEHICLES (ACORD 101, Additional Remarks Schedule, may be attached if more space is required)

Project ID:SEQ200490
The following are additional insured if required by written contract per attached endorsement form # CG D2 46 08 05 to the extent provided therein, subject to policy terms limitations and exclusions: City of New York, including its officials and employees, Consolidated Edison, National Grid.

CERTIFICATE HOLDER

NYCDD&C

NYC Department of Design & Construction
30-30 Thomson Avenue
Long Island City, NY 11101-3045

CANCELLATION

SHOULD ANY OF THE ABOVE DESCRIBED POLICIES BE CANCELLED BEFORE THE EXPIRATION DATE THEREOF, NOTICE WILL BE DELIVERED IN ACCORDANCE WITH THE POLICY PROVISIONS.

AUTHORIZED REPRESENTATIVE



New York State Insurance Fund

Workers' Compensation & Disability Benefits Specialists Since 1914

199 CHURCH STREET, NEW YORK, N.Y. 10007-1100

CERTIFICATE OF WORKERS' COMPENSATION INSURANCE (RENEWED)

***** 113304697
LOVELL SAFETY MGMT CO., LLC
110 WILLIAM STREET 12TH FLR
NEW YORK NY 10038



SCAN TO VALIDATE
AND SUBSCRIBE

POLICYHOLDER PAUL J. SCARIANO, INC. 12 POTTER AVENUE NEW ROCHELLE NY 10801		CERTIFICATE HOLDER DEPARTMENT OF DESIGN AND CONSTRUCTION 30-30 THOMSON AVENUE LONG ISLAND CITY NY 11101	
POLICY NUMBER G1447 727-7	CERTIFICATE NUMBER 506815	POLICY PERIOD 04/01/2018 TO 04/01/2019	DATE 4/25/2018

THIS IS TO CERTIFY THAT THE POLICYHOLDER NAMED ABOVE IS INSURED WITH THE NEW YORK STATE INSURANCE FUND UNDER POLICY NO. 1447 727-7, COVERING THE ENTIRE OBLIGATION OF THIS POLICYHOLDER FOR WORKERS' COMPENSATION UNDER THE NEW YORK WORKERS' COMPENSATION LAW WITH RESPECT TO ALL OPERATIONS IN THE STATE OF NEW YORK, EXCEPT AS INDICATED BELOW.

IF YOU WISH TO RECEIVE NOTIFICATIONS REGARDING SAID POLICY, INCLUDING ANY NOTIFICATION OF CANCELLATIONS, OR TO VALIDATE THIS CERTIFICATE, VISIT OUR WEBSITE AT [HTTPS://WWW.NYSIF.COM/CERT/CERTVAL.ASP](https://www.nysif.com/cert/certval.asp). THE NEW YORK STATE INSURANCE FUND IS NOT LIABLE IN THE EVENT OF FAILURE TO GIVE SUCH NOTIFICATIONS.

THIS CERTIFICATE DOES NOT APPLY TO THOSE JOB SITES WHICH ARE COVERED BY OTHER INSURANCE AND ARE SPECIFICALLY EXCLUDED BY ENDORSEMENT.

THE POLICY INCLUDES A WAIVER OF SUBROGATION ENDORSEMENT UNDER WHICH NYSIF AGREES TO WAIVE ITS RIGHT OF SUBROGATION TO BRING AN ACTION AGAINST THE CERTIFICATE HOLDER TO RECOVER AMOUNTS WE PAID IN WORKERS' COMPENSATION AND/OR MEDICAL BENEFITS TO OR ON BEHALF OF AN EMPLOYEE OF OUR INSURED IN THE EVENT THAT, PRIOR TO THE DATE OF THE ACCIDENT, THE CERTIFICATE HOLDER HAS ENTERED INTO A WRITTEN CONTRACT WITH OUR INSURED THAT REQUIRES THAT SUCH RIGHT OF SUBROGATION BE WAIVED.

THIS CERTIFICATE IS ISSUED AS A MATTER OF INFORMATION ONLY AND CONFERS NO RIGHTS NOR INSURANCE COVERAGE UPON THE CERTIFICATE HOLDER. THIS CERTIFICATE DOES NOT AMEND, EXTEND OR ALTER THE COVERAGE AFFORDED BY THE POLICY.

NEW YORK STATE INSURANCE FUND

DIRECTOR, INSURANCE FUND UNDERWRITING

VALIDATION NUMBER: 403098272



CERTIFICATE OF INSURANCE COVERAGE
DISABILITY AND PAID FAMILY LEAVE BENEFITS LAW

PART 1. To be completed by Disability and Paid Family Leave Benefits Carrier or Licensed Insurance Agent of that Carrier

1a. Legal Name & Address of Insured (use street address only)
PAUL J. SCARIANO INC.
12 POTTER AVENUE
NEW ROCHELLE, NY 10801
1b. Business Telephone Number of Insured
914-623-9200
1c. Federal Employer Identification Number of Insured or Social Security Number
113304697
2. Name and Address of Entity Requesting Proof of Coverage
DEPARTMENT OF DESIGN AND CONSTRUCTION
30-30 THOMSON AVENUE
LONG ISLAND CITY, NY 11101
3a. Name of Insurance Carrier
ShelterPoint Life Insurance Company
3b. Policy Number of Entity Listed in Box "1a"
DBL90113
3c. Policy effective period
08/29/2017 to 08/28/2019

4. Policy provides the following benefits:
[X] A. Both disability and paid family leave benefits.
[] B. Disability benefits only.
[] C. Paid family leave benefits only.
5. Policy covers:
[X] A. All of the employer's employees eligible under the NYS Disability and Paid Family Leave Benefits Law.
[] B. Only the following class or classes of employer's employees:

Under penalty of perjury, I certify that I am an authorized representative or licensed agent of the insurance carrier referenced above and that the named insured has NYS Disability and/or Paid Family Leave Benefits insurance coverage as described above.

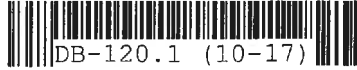
Date Signed 4/25/2018 By [Signature]
(Signature of insurance carrier's authorized representative or NYS Licensed Insurance Agent of that insurance carrier)
Telephone Number 516-829-8100 Name and Title Richard White, Chief Executive Officer

IMPORTANT: If Boxes 4A and 5A are checked, and this form is signed by the insurance carrier's authorized representative or NYS Licensed Insurance Agent of that carrier, this certificate is COMPLETE. Mail it directly to the certificate holder.
If Box 4B, 4C or 5B is checked, this certificate is NOT COMPLETE for purposes of Section 220, Subd. 8 of the NYS Disability and Paid Family Leave Benefits Law. It must be mailed for completion to the Workers' Compensation Board, Plans Acceptance Unit, PO Box 5200, Binghamton, NY 13902-5200.

PART 2. To be completed by the NYS Workers' Compensation Board (Only if Box 4C or 5B of Part 1 has been checked)

State of New York
Workers' Compensation Board
According to information maintained by the NYS Workers' Compensation Board, the above-named employer has complied with the NYS Disability and Paid Family Leave Benefits Law with respect to all of his/her employees.
Date Signed By
(Signature of Authorized NYS Workers' Compensation Board Employee)
Telephone Number Name and Title

Please Note: Only insurance carriers licensed to write NYS disability and paid family leave benefits insurance policies and NYS licensed insurance agents of those insurance carriers are authorized to issue Form DB-120.1. Insurance brokers are NOT authorized to issue this form.



Additional Instructions for Form DB-120.1

By signing this form, the insurance carrier identified in Box 3 on this form is certifying that it is insuring the business referenced in box "1a" for disability and/or paid family leave benefits under the New York State Disability and Paid Family Leave Benefits Law. The Insurance Carrier or its licensed agent will send this Certificate of Insurance to the entity listed as the certificate holder in Box 2.

The insurance carrier must notify the above certificate holder and the Workers' Compensation Board within 10 days IF a policy is cancelled due to nonpayment of premiums or within 30 days IF there are reasons other than nonpayment of premiums that cancel the policy or eliminate the insured from coverage indicated on this Certificate. (These notices may be sent by regular mail.) Otherwise, this Certificate is valid for one year after this form is approved by the insurance carrier or its licensed agent, or until the policy expiration date listed in Box 3c, whichever is earlier

This certificate is issued as a matter of information only and confers no rights upon the certificate holder. This certificate does not amend, extend or alter the coverage afforded by the policy listed, nor does it confer any rights or responsibilities beyond those contained in the referenced policy.

This certificate may be used as evidence of a Disability and/or Paid Family Leave Benefits contract of insurance only while the underlying policy is in effect.

Please Note: Upon the cancellation of the disability and/or paid family leave benefits policy indicated on this form, if the business continues to be named on a permit, license or contract issued by a certificate holder, the business must provide that certificate holder with a new Certificate of NYS Disability and/or Paid Family Leave Benefits Coverage or other authorized proof that the business is complying with the mandatory coverage requirements of the New York State Disability and Paid Family Leave Benefits Law.

DISABILITY AND PAID FAMILY LEAVE BENEFITS LAW

§220. Subd. 8

(a) The head of a state or municipal department, board, commission or office authorized or required by law to issue any permit for or in connection with any work involving the employment of employees in employment as defined in this article, and notwithstanding any general or special statute requiring or authorizing the issue of such permits, shall not issue such permit unless proof duly subscribed by an insurance carrier is produced in a form satisfactory to the chair, that the payment of disability benefits and after January first, two thousand and twenty-one, the payment of family leave benefits for all employees has been secured as provided by this article. Nothing herein, however, shall be construed as creating any liability on the part of such state or municipal department, board, commission or office to pay any disability benefits to any such employee if so employed.

(b) The head of a state or municipal department, board, commission or office authorized or required by law to enter into any contract for or in connection with any work involving the employment of employees in employment as defined in this article and notwithstanding any general or special statute requiring or authorizing any such contract, shall not enter into any such contract unless proof duly subscribed by an insurance carrier is produced in a form satisfactory to the chair, that the payment of disability benefits and after January first, two thousand eighteen, the payment of family leave benefits for all employees has been secured as provided by this article.

CITY OF NEW YORK
CERTIFICATION BY INSURANCE BROKER OR AGENT

The undersigned insurance broker or agent represents to the City of New York that the attached Certificate of Insurance is accurate in all material respects.

Robert C. Bill Associates, Inc. [Name of broker or agent
(typewritten)]

150 Broadhollow Rd., Suite 307, Melville, NY 11747
[Address of broker or agent (typewritten)]

cbrosnahan@robertcbillassociates.com [Email address of broker or
agent (typewritten)]

631-427-3300 / 631-427-0105 [Phone number/Fax number of broker
or agent (typewritten)]


[Signature of authorized official, broker, or agent]

Colleen Brosnahan, Account Manager [Name and title of authorized
official, broker, or agent (typewritten)]

State of New York)
County of Suffolk) ss.:

Sworn to before me this 26th day of April 2018


NOTARY PUBLIC FOR THE STATE OF New York

ARNOLDO ALDANA
NOTARY PUBLIC, State of New York
No. 01AL6380377
Qualified in Nassau County
Commission Expires 11/07/2020

Performance Bond #2 (Pages 104 to 107): Use if the total contract price is more than \$5 Million.

PERFORMANCE BOND #2 (Page 2)

good any such default and shall protect the said City of New York against, and pay any and all amounts, damages, cost and judgments which may or shall be recovered against said City or its officers or agents or which the said City of New York may be called upon to pay any person or corporation by reason of any damages arising or growing out of the Principal's default of the Contract, then this obligation shall be null and void, otherwise to remain in full force and effect.

The Surety (Sureties), for value received, hereby stipulates and agrees, upon written notice from the City that the City has determined that the Principal is in default of the Contract, to either (1) pay the full amount of the above penal sum in complete discharge and exoneration of this bond and of all the liabilities of the Surety relating to this bond, or (2) fully perform and complete the Work to be performed under the Contract, pursuant to the terms, conditions, and covenants thereof. The Surety (Sureties) further agrees, at its option, either to tender the penal sum or to commence and diligently perform the Work specified in the Contract, including physical site work, within twenty-five (25) business days after written notice thereof from the City and to complete all Work within the time set forth in the Contract or such other time as agreed to between the City and Surety in accordance with the Contract. The Surety and the City reserve all rights and defenses each may have against the other; provided, however, that the Surety expressly agrees that its reservation of rights shall not provide a basis for non-performance of its obligation to commence and to complete all Work as provided herein.

The Surety (Sureties), for value received, for itself and its successors and assigns, hereby stipulates and agrees that the obligation of said Surety (Sureties) and its bond shall be in no way impaired or affected by any extension of time, modification, omission, addition, or change in or to the said Contract or the Work to be performed thereunder, or by any payment thereunder before the time required therein, or by any waiver of any provisions thereof, or by any assignment, subletting or other transfer thereof or of any Work to be performed or any moneys due or to become due thereunder; and said Surety (Sureties) does hereby waive notice of any and all of such extensions, modifications, omissions, additions, changes, payments, waivers, assignments, subcontracts and transfers, and hereby expressly stipulates and agrees that any and all things done and omitted to be done by and in relation to assignees, subcontractors, and other transferees shall have the same effect as to said Surety (Sureties) as though done or omitted to be done by or in relation to said Principal.

Performance Bond #2 (Pages 104 to 107): Use if the total contract price is more than \$5 Million.

PERFORMANCE BOND #2 (Page 3)

IN WITNESS WHEREOF, The Principal and the Surety (Sureties) have hereunto set their hands and seals, and such of them as are corporations have caused their corporate seals to be hereunto affixed and these presents to be signed by their proper officers, this

_____ day of _____ 20_____ .

(Seal) _____ (L.S.)
Principal

(Seal) By: _____
Surety

(Seal) By: _____
Surety

(Seal) By: _____
Surety

(Seal) By: _____
Surety

(Seal) By: _____
Surety

By: _____

Bond Premium Rate _____

Bond Premium Cost _____

If the Contractor (Principal) is a partnership, the bond should be signed by each of the individuals who are partners.

If the Contractor (Principal) is a corporation, the bond should be signed in its correct corporate name by a duly authorized officer, agent, or attorney-in-fact.

There should be executed an appropriate number of counterparts of the bond corresponding to the number of counterparts of the Contract.

Performance Bond #2 (Pages 104 to 107): Use if the total contract price is more than \$5 Million.

PERFORMANCE BOND #2 (Page 4)

ACKNOWLEDGMENT OF PRINCIPAL IF A CORPORATION

State of _____ County of _____ ss:

On this _____ day of _____, 20 _____ before me personally came _____,
to me known, who, being by me duly sworn did depose and say that he resides at _____

_____ ; that he/she is the _____ of the corporation described in and which executed the foregoing instrument; that he/she signed his/her name to the foregoing instrument by order of the directors of said corporation as the duly authorized and binding act thereof.

Notary Public or Commissioner of Deeds.

ACKNOWLEDGMENT OF PRINCIPAL IF A PARTNERSHIP

State of _____ County of _____ ss:

On this _____ day of _____, 20 _____ before me personally came _____,
to me known, who, being by me duly sworn did depose and say that he/she resides at _____

_____ ; that he/she is _____ partner of _____, a limited/general partnership existing under the laws of the State of _____, the partnership described in and which executed the foregoing instrument; and that he/she signed his/her name to the foregoing instrument as the duly authorized and binding act of said partnership.

Notary Public or Commissioner of Deeds

ACKNOWLEDGMENT OF PRINCIPAL IF AN INDIVIDUAL

State of _____ County of _____ ss:

On this _____ day of _____, 20 _____ before me personally came _____,
to me known, who, being by me duly sworn did depose and say that he/she resides at _____

_____ , and that he/she is the individual whose name is subscribed to the within instrument and acknowledged to me that by his/her signature on the instrument, said individual executed the instrument.

Notary Public or Commissioner of Deeds

Each executed bond should be accompanied by: (a) appropriate acknowledgments of the respective parties; (b) appropriate duly certified copy of Power of Attorney or other certificate of authority where bond is executed by agent, officer or other representative of Principal or Surety; (c) a duly certified extract from By-Laws or resolutions of Surety under which Power of Attorney or other certificate of authority of its agent, officer or representative was issued, and (d) certified copy of latest published financial statement of assets and liabilities of Surety.

Affix Acknowledgments and Justification of Sureties.

Payment Bond (Pages 108 to 111): Use for any contract for which a Payment Bond is required.

PAYMENT BOND (Page 1)

PAYMENT BOND

KNOW ALL PERSONS BY THESE PRESENTS, That we, _____

hereinafter referred to as the "Principal", and _____

hereinafter referred to as the "Surety" ("Sureties") are held and firmly bound to THE CITY OF NEW YORK, hereinafter referred to as the "City" or to its successors and assigns, in the penal sum of

(\$ _____) Dollars, lawful money of the United States, for the payment of which said sum of money well and truly to be made, we, and each of us, bind ourselves, our heirs, executors, administrators, successors and assigns, jointly and severally, firmly by these presents.

WHEREAS, the Principal is about to enter, or has entered, into a Contract in writing with the City for

a copy of which Contract is annexed to and hereby made a part of this bond as though herein set forth in full;

NOW, THEREFORE, the conditions of this obligation are such that if the Principal, his or its representatives or assigns and other Subcontractors to whom Work under this Contract is sublet and his or their successors and assigns shall promptly pay or cause to be paid all lawful claims for

(a) Wages and compensation for labor performed and services rendered by all persons engaged in the prosecution of the Work under said Contract, and any amendment or extension thereof or addition thereto, whether such persons be agents servants or employees of the Principal or any such Subcontractor, including all persons so engaged who perform the work of laborers or mechanics at or in the vicinity of the site

Payment Bond (Pages 108 to 111): Use for any contract for which a Payment Bond is required.

PAYMENT BOND (Page 2)

of the Project regardless of any contractual relationship between the Principal or such Subcontractors, or his or their successors or assigns, on the one hand and such laborers or mechanics on the other, but not including office employees not regularly stationed at the site of the project; and

(b) Materials and supplies (whether incorporated in the permanent structure or not), as well as teams, fuels, oils, implements or machinery furnished, used or consumed by said Principal or any subcontractor at or in the vicinity of the site of the Project in the prosecution of the Work under said Contract and any amendment or extension thereof or addition thereto; then this obligation shall be void, otherwise to remain in full force and effect.

This bond is subject to the following additional conditions, limitations and agreements:

(a) The Principal and Surety (Sureties) agree that this bond shall be for the benefit of any materialmen or laborer having a just claim, as well as the City itself.

(b) All persons who have performed labor, rendered services or furnished materials and supplies, as aforesaid, shall have a direct right of action against the Principal and his, its or their successors and assigns, and the Surety (Sureties) herein, or against either or both or any of them and their successors and assigns. Such persons may sue in their own name, and may prosecute the suit to judgment and execution without the necessity of joining with any other persons as party plaintiff.

(c) The Principal and Surety (Sureties) agree that neither of them will hold the City liable for any judgment for costs of otherwise, obtained by either or both of them against a laborer or materialman in a suit brought by either a laborer or materialman under this bond for moneys allegedly due for performing work or furnishing material.

(d) The Surety (Sureties) or its successors and assigns shall not be liable for any compensation recoverable by an employee or laborer under the Workmen's Compensation Law.

(e) In no event shall the Surety (Sureties), or its successors or assigns, be liable for a greater sum than the penalty of this bond or be subject to any suit, action or proceeding hereon that is instituted by any person, firm, or corporation hereunder later than two years after the complete performance of said Contract and final settlement thereof.

The Principal, for himself and his successors and assigns, and the Surety (Sureties), for itself and its successors and assigns, do hereby expressly waive any objection that might be interposed as to the right of the City to require a bond containing the foregoing provisions, and they do hereby further expressly waive any defense which they or either of them might interpose to an action brought hereon by any person, firm or corporation, including subcontractors, materialmen and third persons, for work, labor, services, supplies or material performed rendered, or furnished as aforesaid upon the ground that there is no law authorizing the City to require the foregoing provisions to be place in this bond.

And the Surety (Sureties), for value received, for itself and its successors and assigns, hereby stipulates and agrees that the obligation of said Surety (Sureties), and its bonds shall be in no way impaired or affected by any extension of time, modification, omission, addition, or change in or of the said Contract or the work to be performed thereunder, or by any payment thereunder before the time required therein, or by any waiver of any provisions thereof, or by any assignment, subletting or other transfer thereof or of any part thereof, or of any Work to be performed, or any moneys due to become due thereunder and said Surety (Sureties) does hereby waive notice of any and all of such extensions, modifications, omissions, additions, changes, payments, waivers, assignments, subcontracts and transfers, and hereby expressly stipulates and agrees that any and all things done and omitted to be done by and in relation to assignees, Subcontractors, and other transferees shall have the same effect as to said Surety (Sureties) as though done or omitted to be done or in relation to said Principal.

Payment Bond (Pages 108 to 111): Use for any contract for which a Payment Bond is required.

PAYMENT BOND (Page 3)

IN WITNESS WHEREOF, the Principal and the Surety (Sureties) have hereunto set their hands and seals, and such of them as are corporations have caused their corporate seals to be hereunto affixed and these presents to be signed by their proper officers, this _____ day of _____, _____.

(Seal) _____ (L.S.)
Principal

By: _____

(Seal) _____
Surety

By: _____

(Seal) _____
Surety

By: _____

(Seal) _____
Surety

By: _____

(Seal) _____
Surety

By: _____

If the Contractor (Principal) is a partnership, the bond should be signed by each of the individuals who are partners.

If the Contractor (Principal) is a corporation, the bond should be signed in its correct corporate name by a duly authorized officer, agent, or attorney-in-fact.

There should be executed an appropriate number of counterparts of the bond corresponding to the number of counterparts of the Contract.

Payment Bond (Pages 108 to 111): Use for any contract for which a Payment Bond is required.

PAYMENT BOND (Page 4)

ACKNOWLEDGMENT OF PRINCIPAL, IF A CORPORATION

State of _____ County of _____ ss:

On this ____ day of _____, _____, before me personally came _____ to me known, who, being by me duly sworn did depose and say that he resides at _____ that he is the _____ of the corporation described in and which executed the foregoing instrument; that he knows the seal of said corporation; that one of the seals affixed to said instrument is such seal; that it was so affixed by order of the directors of said corporation, and that he signed his name thereto by like order.

Notary Public or Commissioner of Deeds

ACKNOWLEDGMENT OF PRINCIPAL, IF A PARTNERSHIP

State of _____ County of _____ ss:

On this ____ day of _____, _____, before me personally appeared _____ to me known, and known to me to be one of the members of the firm of _____ described in and who executed the foregoing instrument; and he acknowledged to me that he executed the same as and for the act and deed of said firm.

Notary Public or Commissioner of Deeds

ACKNOWLEDGMENT OF PRINCIPAL, IF AN INDIVIDUAL

State of _____ County of _____ ss:

On this ____ day of _____, _____, before me personally appeared _____ to me known, and known to me to be the person described in and who executed the foregoing instrument; and acknowledged that he executed the same.

Notary Public or Commissioner of Deeds

Each executed bond should be accompanied by: (a) appropriate acknowledgments of the respective parties; (b) appropriate duly certified copy of Power of Attorney or other certificate of authority where bond is executed by agent, officer or other representative of Principal or Surety; (c) a duly certified extract from By-Laws or resolutions of Surety under which Power of Attorney or other certificate of authority of its agent, officer or representative was issued, and (d) certified copy of latest published financial statement of assets and liabilities of Surety.

Affix Acknowledgments and Justification of Sureties.

(NO TEXT ON THIS PAGE)

OFFICE OF THE COMPTROLLER, CITY OF NEW YORK
§220 PREVAILING WAGE SCHEDULE

LABOR LAW §220 PREVAILING WAGE SCHEDULE

Workers, Laborers and Mechanics employed on a public work project must receive not less than the prevailing rate of wage and benefits for the classification of work performed by each upon such public work. Pursuant to Labor Law §220 the Comptroller of the City of New York has promulgated this schedule solely for Workers, Laborers and Mechanics engaged by private contractors on New York City public work contracts.

This schedule is a compilation of separate determinations of the prevailing rate of wage and supplements made by the Comptroller for each trade classification listed herein pursuant to New York State Labor Law section 220 (5). The source of the wage and supplement rates, whether a collective bargaining agreement, survey data or other, is listed at the end of each classification.

Agency Chief Contracting Officers should contact the Bureau of Labor Law's Classification Unit with any questions concerning trade classifications, prevailing rates or prevailing practices with respect to procurement on New York City public works contracts. Contractors are advised to review the Comptroller's Prevailing Wage Schedule before bidding on public works contracts. Contractors with questions concerning trade classifications, prevailing rates or prevailing practices with respect to public works contracts in the procurement stage must contact the contracting agency responsible for the procurement.

Any error as to compensation under the prevailing wage law or other information as to trade classification, made by the contracting agency in the contract documents or in any other communication, will not preclude a finding against the contractor of prevailing wage violation.

Any questions concerning trade classifications, prevailing rates or prevailing practices on New York City public works contracts that have already been awarded may be directed to the Bureau of Labor Law's Classification Unit by calling (212) 669-4443. All callers must have the agency name and contract registration number available when calling with questions on public works contracts. Please direct all other compliance issues to: Bureau of Labor Law, Attn: Wasyl Kinach, P.E., Office of the Comptroller, 1 Centre Street, Room 651, New York, N.Y. 10007; Fax (212) 669-4002.

The appropriate schedule of prevailing wages and benefits must be posted at all public work sites pursuant to Labor Law §220 (3-a) (a).

This schedule is applicable to work performed during the effective period, unless otherwise noted. Changes to this schedule are published on our web site www.comptroller.nyc.gov. Contractors must pay the wages and supplements in effect when the worker, laborer, mechanic performs the work. Preliminary schedules for future one-year periods appear in the City Record on or about June 1 each succeeding year. Final schedules appear on or about July 1 in the City Record and on our web site www.comptroller.nyc.gov.

The Comptroller's Office has attempted to include all overtime, shift and night differential, Holiday, Saturday, Sunday or other premium time work. However, this schedule does not set forth every prevailing practice with respect to such rates with which employers must comply. All such practices are nevertheless part of the employer's prevailing wage obligation and contained in the collective bargaining agreements of the prevailing wage unions. These collective bargaining agreements are available for inspection by appointment. Requests for appointments may be made by calling (212) 669-4443, Monday through Friday between the hours of 9 a.m. and 5 p.m.

**OFFICE OF THE COMPTROLLER, CITY OF NEW YORK
§220 PREVAILING WAGE SCHEDULE**

Prevailing rates and ratios for apprentices are attached to this schedule in the Appendix. Pursuant to Labor Law §220 (3-e), only apprentices who are individually registered in a bona fide program to which the employer contractor is a participant, registered with the New York State Department of Labor, may be employed on a public work project. Workers who are not journey persons or not registered apprentices pursuant to Labor Law §220 (3-e) may not be substituted for apprentices and must be paid as journey persons.

Public Work construction, reconstruction, demolition, excavation, rehabilitation, repair, renovation, alteration, or improvement contracts awarded pursuant to a Project Labor Agreement ("PLA") in accordance with Labor Law section 222 may have different labor standards for shift, premium and overtime work. Please refer to the PLA's pre-negotiated labor agreements for wage and benefit rates applicable to work performed outside of the regular workday. More information is available at the Mayor's Office of Contract Services (MOCS) web page at <http://www.nyc.gov/html/mocs/html/vendors/pla.shtml>.

All the provisions of Labor Law section 220 remain applicable to PLA work including, but not limited to, the enforcement of prevailing wage requirements by the Comptroller; however, we will enforce shift, premium, overtime and other non-standard rates as they appear in a project's pre-negotiated labor agreement.

In order to meet their obligation to provide prevailing supplemental benefits to each covered employee, employers must either:

- 1) Provide bona fide fringe benefits which cost the employer no less than the prevailing supplemental benefits rate; or
- 2) Supplement the employee's hourly wage by an amount no less than the prevailing supplemental benefits rate; or
- 3) Provide a combination of bona fide fringe benefits and wage supplements which cost the employer no less than the prevailing supplemental benefits rate in total.

Although prevailing wage laws do not require employers to provide bona fide fringe benefits (as opposed to wage supplements) to their employees, other laws may. For example, the Employee Retirement Income Security Act, 29 U.S.C. § 1001 et seq., the Patient Protection and Affordable Care Act, 42 U.S.C. § 18001 et seq., and the New York City Paid Sick Leave Law, N.Y.C. Admin. Code § 20-911 et seq., require certain employers to provide certain benefits to their employees. Labor agreements to which employers are a party may also require certain benefits. The Comptroller's Office does not enforce these laws or agreements.

Employers must provide prevailing supplemental benefits at the straight time rate for each hour worked unless otherwise noted in the classification.

**Wasył Kinach, P.E.
Director of Classifications
Bureau of Labor Law**

OFFICE OF THE COMPTROLLER, CITY OF NEW YORK
§220 PREVAILING WAGE SCHEDULE

TABLE OF CONTENTS

<u>CLASSIFICATION</u>	<u>PAGE</u>
ASBESTOS HANDLER	5
BLASTER	5
BOILERMAKER.....	7
BRICKLAYER.....	8
CARPENTER - BUILDING COMMERCIAL	9
CARPENTER - HEAVY CONSTRUCTION WORK	10
CARPENTER - HIGH RISE CONCRETE FORMS	11
CARPENTER - SIDEWALK SHED, SCAFFOLD AND HOIST.....	12
CEMENT & CONCRETE WORKER.....	13
CEMENT MASON.....	14
CORE DRILLER	15
DERRICKPERSON AND RIGGER	16
DIVER.....	17
DOCKBUILDER - PILE DRIVER.....	18
DRIVER: TRUCK (TEAMSTER)	19
ELECTRICIAN	21
ELECTRICIAN - ALARM TECHNICIAN.....	24
ELECTRICIAN-STREET LIGHTING WORKER	25
ELEVATOR CONSTRUCTOR	26
ELEVATOR REPAIR & MAINTENANCE.....	27
ENGINEER	28
ENGINEER - CITY SURVEYOR AND CONSULTANT.....	33
ENGINEER - FIELD (BUILDING CONSTRUCTION)	34
ENGINEER - FIELD (HEAVY CONSTRUCTION)	35
ENGINEER - FIELD (STEEL ERECTION)	36
ENGINEER - OPERATING	37
FLOOR COVERER.....	45
GLAZIER	46
GLAZIER - REPAIR & MAINTENANCE	47
HEAT AND FROST INSULATOR	48
HOUSE WRECKER	49
IRON WORKER - ORNAMENTAL.....	49
IRON WORKER - STRUCTURAL.....	50
LABORER	51
LANDSCAPING	52

**OFFICE OF THE COMPTROLLER, CITY OF NEW YORK
§220 PREVAILING WAGE SCHEDULE**

MARBLE MECHANIC.....	54
MASON TENDER	55
MASON TENDER (INTERIOR DEMOLITION WORKER).....	56
METALLIC LATHER.....	56
MILLWRIGHT	57
MOSAIC MECHANIC.....	58
PAINTER	59
PAINTER - METAL POLISHER	60
PAINTER - STRIPER.....	61
PAINTER - STRUCTURAL STEEL.....	62
PAPERHANGER	63
PAVER AND ROADBUILDER.....	64
PLASTERER	66
PLASTERER - TENDER.....	67
PLUMBER	67
PLUMBER (MECHANICAL EQUIPMENT AND SERVICE).....	68
PLUMBER (RESIDENTIAL RATES FOR 1, 2 AND 3 FAMILY HOME CONSTRUCTION).....	69
PLUMBER: PUMP & TANK.....	70
POINTER, WATERPROOFER, CAULKER, SANDBLASTER, STEAMBLASTER	71
ROOFER.....	72
SHEET METAL WORKER.....	72
SHEET METAL WORKER - SPECIALTY	73
SHIPYARD WORKER.....	74
SIGN ERECTOR.....	76
STEAMFITTER	76
STEAMFITTER - REFRIGERATION AND AIR CONDITIONER	78
STONE MASON - SETTER.....	80
TAPER.....	81
TELECOMMUNICATION WORKER	82
TILE FINISHER.....	83
TILE LAYER - SETTER	84
TIMBERPERSON	84
TUNNEL WORKER	85
WELDER.....	87

OFFICE OF THE COMPTROLLER, CITY OF NEW YORK
§220 PREVAILING WAGE SCHEDULE

ASBESTOS HANDLER

(Hazardous Material; Disturbs, removes, encapsulates, repairs, or encloses friable asbestos material)

Asbestos Handler

Effective Period: 7/1/2017 - 6/30/2018

Wage Rate per Hour: \$36.00

Supplemental Benefit Rate per Hour: \$16.45

Overtime

Time and one half the regular rate after an 8 hour day.

Time and one half the regular rate for Sunday.

Time and one half the regular hourly rate after 40 hours in any work week.

Overtime Holidays

Time and one half the regular rate for work on the following holiday(s).

New Year's Day

Good Friday

Memorial Day

Independence Day

Labor Day

Thanksgiving Day

Christmas Day

Easter

Paid Holidays

None

(Local #78 and Local #12A)

BLASTER

Blaster

Effective Period: 7/1/2017 - 6/30/2018

Wage Rate per Hour: \$46.27

Supplemental Benefit Rate per Hour: \$47.99

Blaster (Hydraulic)

Effective Period: 7/1/2017 - 6/30/2018

OFFICE OF THE COMPTROLLER, CITY OF NEW YORK
§220 PREVAILING WAGE SCHEDULE

Wage Rate per Hour: **\$47.15**
Supplemental Benefit Rate per Hour: **\$47.99**

Blaster - Trac Drill Hydraulic

Effective Period: 7/1/2017 - 6/30/2018
Wage Rate per Hour: **\$41.29**
Supplemental Benefit Rate per Hour: **\$47.99**

Blaster - Wagon: Air Trac: Quarry Bar: Drillrunners

Effective Period: 7/1/2017 - 6/30/2018
Wage Rate per Hour: **\$40.46**
Supplemental Benefit Rate per Hour: **\$47.99**

Blaster - Operators of Jack Hammers

Chippers: Spaders: Concrete Breakers: and all other pneumatic tools of like usage: Walk Behind Self Propelled Hydraulic Asphalt and Concrete Breakers: Hydro (Water) Demolition

Effective Period: 7/1/2017 - 6/30/2018
Wage Rate per Hour: **\$39.34**
Supplemental Benefit Rate per Hour: **\$47.99**

Blaster - Powder Carriers

Effective Period: 7/1/2017 - 6/30/2018
Wage Rate per Hour: **\$35.17**
Supplemental Benefit Rate per Hour: **\$47.99**

Blaster - Hydraulic Trac Drill Chuck Tender

Effective Period: 7/1/2017 - 6/30/2018
Wage Rate per Hour: **\$33.81**
Supplemental Benefit Rate per Hour: **\$47.99**

Blaster - Chuck Tender & Nipper

Effective Period: 7/1/2017 - 6/30/2018
Wage Rate per Hour: **\$33.00**
Supplemental Benefit Rate per Hour: **\$47.99**

Blaster - Magazine Keepers: (Watch Person)

Effective Period: 7/1/2017 - 6/30/2018
Wage Rate per Hour: **\$18.22**
Supplemental Benefit Rate per Hour: **\$47.99**

OFFICE OF THE COMPTROLLER, CITY OF NEW YORK
§220 PREVAILING WAGE SCHEDULE

Overtime Description

Magazine Keepers:

Time and one half for work performed in excess of forty (40) hours per week and for work performed on Saturdays, Sundays and Holidays.

All Other Employees:

Time and one-half for the first two hours of overtime Monday through Friday, the first ten hours, the first ten hours of work on Saturday and for Make-up Time. Double time for all hours over ten Monday through Saturday (except make-up hours) and for all hours worked on Sunday and Holidays.

Overtime Holidays

Double time the regular rate for work on the following holiday(s).

New Year's Day

Memorial Day

Independence Day

Labor Day

Columbus Day

Thanksgiving Day

Christmas Day

Paid Holidays

None

Shift Rates

A single shift shall be 8 hours plus an unpaid lunch, starting at 8:00 A.M (or between 6:00 A.M. and 10:00 A.M. on weekdays). When two (2) shifts are employed, each shift shall be 8 hours plus ½ hour unpaid lunch. When three (3) shifts are employed, each shift will work seven and one-half (7 ½) hours, but will be paid for eight (8) hours, since only one-half (½) hour is allowed for mealtime. When two (2) or more shifts are employed, single time will be paid for each shift. The first 8 hours of any and all work performed Monday through Friday inclusive of any off-shift shall be at the single time rate.

(Local #29)

BOILERMAKER

Boilermaker

Effective Period: 7/1/2017 - 12/31/2017

Wage Rate per Hour: **\$55.23**

Supplemental Benefit Rate per Hour: **\$42.96**

Supplemental Note: For time and one half overtime - \$63.82 For double overtime - \$84.68

Effective Period: 1/1/2018 - 6/30/2018

Wage Rate per Hour: **\$57.17**

Supplemental Benefit Rate per Hour: **\$43.62**

Supplemental Note: For time and one half overtime - \$64.81 For double overtime - \$86.00

OFFICE OF THE COMPTROLLER, CITY OF NEW YORK
§220 PREVAILING WAGE SCHEDULE

Overtime Description

For Repair and Maintenance work:
Time and one half the regular rate after an 8 hour day.
Time and one half the regular rate for Saturday.
Double time the regular rate for Sunday.
For New Construction work:
Double time the regular rate after an 8 hour day.
Double time the regular time rate for Saturday.
Double time the regular rate for Sunday.

Overtime Holidays

Double time the regular rate for work on the following holiday(s).
New Year's Day
President's Day
Memorial Day
Independence Day
Columbus Day
Election Day
Veteran's Day
Thanksgiving Day
Christmas Day

Quadruple time the regular rate for work on the following holiday(s).
Labor Day

Paid Holidays

Good Friday
Day after Thanksgiving
Day before Christmas
Day before New Year's Day

Shift Rates

When shifts are required, the first shift shall work eight (8) hours at the regular straight-time hourly rate. The second shift shall work seven and one-half (7 ½) hours and receive eight hours at the regular straight time hourly rate plus twenty-five cents (\$0.25) per hour. The third shift shall work seven (7) hours and receive eight hours at the regular straight time hourly rate plus fifty cents (\$0.50) per hour. A thirty (30) minute lunch period shall not be considered as time worked. Work in excess of the above shall be paid overtime at the appropriate new construction work or repair work overtime wage and supplemental benefit hourly rate.

(Local #5)

BRICKLAYER

Bricklayer

Effective Period: 7/1/2017 - 6/30/2018
Wage Rate per Hour: \$55.10

OFFICE OF THE COMPTROLLER, CITY OF NEW YORK
§220 PREVAILING WAGE SCHEDULE

Supplemental Benefit Rate per Hour: **\$31.20**

Overtime

Time and one half the regular rate after a 7 hour day.

Time and one half the regular rate for Saturday.

Double time the regular rate for Sunday.

Saturday may be used as a make-up day at straight time when a day is lost during that week to inclement weather.

Overtime Holidays

Double time the regular rate for work on the following holiday(s).

New Year's Day

President's Day

Memorial Day

Independence Day

Labor Day

Thanksgiving Day

Christmas Day

Paid Holidays

None

Shift Rates

Overtime rates to be paid outside the regular scheduled work day.

(Bricklayer District Council)

CARPENTER - BUILDING COMMERCIAL

Building Commercial

Effective Period: 7/1/2017 - 6/30/2018

Wage Rate per Hour: **\$52.50**

Supplemental Benefit Rate per Hour: **\$46.28**

Overtime

Time and one half the regular rate after an 8 hour day.

Time and one half the regular rate for Saturday.

Double time the regular rate for Sunday.

Saturday may be used as a make-up day at straight time when a day is lost during that week to inclement weather.

Overtime Holidays

Double time the regular rate for work on the following holiday(s).

New Year's Day

Washington's Birthday

OFFICE OF THE COMPTROLLER, CITY OF NEW YORK
§220 PREVAILING WAGE SCHEDULE

Memorial Day
Independence Day
Labor Day
Columbus Day
Presidential Election Day
Thanksgiving Day
Day after Thanksgiving
Christmas Day

Paid Holidays
None

Shift Rates

The second shift will receive one hour at the double time rate of pay for the last hour of the shift; eight hours pay for seven hours of work, nine hours pay for eight hours of work. There must be a first shift in order to work a second shift.

(Carpenters District Council)

CARPENTER - HEAVY CONSTRUCTION WORK
(Construction of Engineering Structures and Building Foundations)

Heavy Construction Work

Effective Period: 7/1/2017 - 6/30/2018

Wage Rate per Hour: **\$52.63**

Supplemental Benefit Rate per Hour: **\$49.66**

Overtime

Time and one half the regular rate after an 8 hour day.

Time and one half the regular rate for Saturday.

Double time the regular rate for Sunday.

Saturday may be used as a make-up day at straight time when a day is lost during that week to inclement weather.

Overtime Holidays

Double time the regular rate for work on the following holiday(s).

New Year's Day
President's Day
Memorial Day
Independence Day
Labor Day
Columbus Day
Presidential Election Day
Thanksgiving Day
Christmas Day

OFFICE OF THE COMPTROLLER, CITY OF NEW YORK
§220 PREVAILING WAGE SCHEDULE

Paid Holidays

None

Shift Rates

Off shift work commencing between 5:00 P.M. and 11:00 P.M. shall work eight and one half hours allowing for one half hour for lunch. The wage rate shall be 113% of the straight time hourly wage rate.

(Carpenters District Council)

CARPENTER - HIGH RISE CONCRETE FORMS
(Excludes Engineering Structures and Building Foundations)

Carpenter High Rise A

Effective Period: 7/1/2017 - 6/30/2018

Wage Rate per Hour: \$50.78

Supplemental Benefit Rate per Hour: \$41.49

Carpenter High Rise B

Carpenter High Rise B worker is excluded from high risk operations such as erection decking, perimeter debris netting, leading edge work, self-climbing form systems, and the installation of cocoon systems unless directly supervised by a Carpenter High Rise A worker.

Effective Period: 7/1/2017 - 6/30/2018

Wage Rate per Hour: \$39.07

Supplemental Benefit Rate per Hour: \$16.65

Overtime

Time and one half the regular rate after an 8 hour day.

Time and one half the regular rate for Saturday.

Double time the regular rate for Sunday.

Saturday may be used as a make-up day at straight time when a day is lost during that week to inclement weather.

Overtime Holidays

Time and one half the regular rate for work on the following holiday(s).

New Year's Day

President's Day

Good Friday

Memorial Day

Independence Day

Labor Day

Columbus Day

OFFICE OF THE COMPTROLLER, CITY OF NEW YORK
§220 PREVAILING WAGE SCHEDULE

Presidential Election Day
Thanksgiving Day
Christmas Day

Paid Holidays

None

Shift Rates

The second shift wage rate shall be 113% of the straight time hourly wage rate. There must be a first shift in order to work a second shift.

(Carpenters District Council)

CARPENTER - SIDEWALK SHED, SCAFFOLD AND HOIST

Carpenter - Hod Hoist

(Assisted by Mason Tender)

Effective Period: 7/1/2017 - 6/30/2018

Wage Rate per Hour: **\$50.50**

Supplemental Benefit Rate per Hour: **\$39.46**

Overtime

Time and one half the regular rate after an 8 hour day.

Time and one half the regular rate for Saturday.

Double time the regular rate for Sunday.

Saturday may be used as a make-up day at straight time when a day is lost during that week to inclement weather.

Overtime Holidays

Double time the regular rate for work on the following holiday(s).

New Year's Day

President's Day

Memorial Day

Independence Day

Labor Day

Columbus Day

Presidential Election Day

Thanksgiving Day

Day after Thanksgiving

Christmas Day

Paid Holidays

None

OFFICE OF THE COMPTROLLER, CITY OF NEW YORK
§220 PREVAILING WAGE SCHEDULE

Shift Rates

The second shift will receive one hour at the double time rate of pay for the last hour of the shift; eight hours pay for seven hours of work, nine hours pay for eight hours of work. There must be a first shift in order to work a second shift.

(Carpenters District Council)

CEMENT & CONCRETE WORKER

Cement & Concrete Worker

Effective Period: 7/1/2017 - 6/30/2018

Wage Rate per Hour: **\$42.48**

Supplemental Benefit Rate per Hour: **\$26.00**

Supplemental Note: \$29.50 on Saturdays; \$33.00 on Sundays & Holidays

Cement & Concrete Worker - (Hired after 2/6/2016)

Effective Period: 7/1/2017 - 6/30/2018

Wage Rate per Hour: **\$32.00**

Supplemental Benefit Rate per Hour: **\$18.00**

Supplemental Note: \$19.50 on Saturdays; \$21.00 on Sundays & Holidays

Overtime Description

Time and one half the regular rate after 7 hour day (time and one half the regular rate after an 8 hour day when working with Dockbuilders on pile cap forms and for work below street level to the top of the foundation wall, not to exceed 2 feet or 3 feet above the sidewalk-brick shelf, when working on the foundation and structure.)

Overtime

Time and one half the regular rate for Saturday.

Double time the regular rate for Sunday.

Overtime Holidays

Double time the regular rate for work on the following holiday(s).

New Year's Day

President's Day

Good Friday

Memorial Day

Independence Day

Labor Day

Columbus Day

Presidential Election Day

Thanksgiving Day

Christmas Day

Paid Holidays

OFFICE OF THE COMPTROLLER, CITY OF NEW YORK
§220 PREVAILING WAGE SCHEDULE

1/2 day before Christmas Day
1/2 day before New Year's Day

Shift Rates

On shift work extending over a twenty-four hour period, all shifts are paid at straight time.

(Cement Concrete Workers District Council)

CEMENT MASON

Cement Mason

Effective Period: 7/1/2017 - 6/30/2018

Wage Rate per Hour: **\$42.62**

Supplemental Benefit Rate per Hour: **\$38.96**

Supplemental Note: For time and one half overtime - \$48.21; For double overtime - \$57.46

Overtime Description

Time and one-half the regular rate after an 8 hour day, double time the regular rate after 10 hours. Time and one-half the regular rate on Saturday, double time the regular rate after 10 hours. Double time the regular rate on Sunday.

Overtime Holidays

Double time the regular rate for work on the following holiday(s).

New Year's Day

President's Day

Good Friday

Memorial Day

Independence Day

Labor Day

Columbus Day

Presidential Election Day

Thanksgiving Day

Christmas Day

Paid Holidays

Any worker who reports to work on Christmas Eve or New Year's Eve pursuant to his employer's instruction shall be entitled to three (3) hours afternoon pay without working.

Shift Rates

For an off shift day, (work at times other than the regular 7:00 A.M. to 3:30 P.M. work day) a cement mason shall be paid at the regular hourly rate plus a 25% per hour differential. Four Days a week at Ten (10)hour day.

(Local #780) (BCA)

CORE DRILLER

Core Driller

Effective Period: 7/1/2017 - 6/30/2018

Wage Rate per Hour: **\$38.82**

Supplemental Benefit Rate per Hour: **\$24.66**

Core Driller Helper

Effective Period: 7/1/2017 - 6/30/2018

Wage Rate per Hour: **\$30.96**

Supplemental Benefit Rate per Hour: **\$24.66**

Core Driller Helper(Third year in the industry)

Effective Period: 7/1/2017 - 6/30/2018

Wage Rate per Hour: **\$27.86**

Supplemental Benefit Rate per Hour: **\$24.66**

Core Driller Helper (Second year in the industry)

Effective Period: 7/1/2017 - 6/30/2018

Wage Rate per Hour: **\$24.77**

Supplemental Benefit Rate per Hour: **\$24.66**

Core Driller Helper (First year in the industry)

Effective Period: 7/1/2017 - 6/30/2018

Wage Rate per Hour: **\$21.67**

Supplemental Benefit Rate per Hour: **\$24.66**

Overtime Description

Time and one half the regular rate for work on a holiday plus Holiday pay when worked.

Overtime

Time and one half the regular rate after an 8 hour day.

Time and one half the regular rate for Saturday.

Double time the regular rate for Sunday.

Time and one half the regular rate for work on the following holiday(s).

Paid Holidays

New Year's Day

Memorial Day

Independence Day

OFFICE OF THE COMPTROLLER, CITY OF NEW YORK
§220 PREVAILING WAGE SCHEDULE

Labor Day
Thanksgiving Day
Christmas Day

Shift Rates

The shift day shall be the continuous eight and one-half (8½) hours from 6:00 A.M. to 2:30 P.M. and from 2:30 P.M. to 11:00 P.M., including one-half (½) hour of employees regular rate of pay for lunch. When two (2) or more shifts are employed, single time shall be paid for each shift, but those employees employed on a shift other than from 8:00 A.M. to 5:00 P.M. shall, in addition, receive seventy-five cents (\$0.75) per hour differential for each hour worked. When three (3) shifts are needed, each shift shall work seven and one-half (7 ½) hours paid for eight (8) hours of labor and be permitted one-half (½) hour for mealtime.

(Carpenters District Council)

DERRICKPERSON AND RIGGER

Derrick Person & Rigger

Effective Period: 7/1/2017 - 6/30/2018

Wage Rate per Hour: \$46.86

Supplemental Benefit Rate per Hour: \$51.40

Supplemental Note: The above supplemental rate applies for work performed in Manhattan, Bronx, Brooklyn and Queens. \$52.82 - For work performed in Staten Island.

Derrick Person & Rigger - Site Work

Assists the Stone Mason-Setter in the setting of stone

Effective Period: 7/1/2017 - 6/30/2018

Wage Rate per Hour: \$40.29

Supplemental Benefit Rate per Hour: \$39.23

Overtime Description

The first two hours of overtime on weekdays and the first seven hours of work on Saturdays are paid at time and one half for wages and supplemental benefits. All additional overtimes is paid at double time for wages and supplemental benefits. Deduct \$1.42 from the Staten Island hourly benefits rate before computing overtime.

Overtime

Double time the regular rate for Sunday.

Overtime Holidays

Double time the regular rate for work on the following holiday(s).

New Year's Day
Washington's Birthday
Good Friday
Memorial Day

34

OFFICE OF THE COMPTROLLER, CITY OF NEW YORK
§220 PREVAILING WAGE SCHEDULE

Independence Day
Labor Day
Thanksgiving Day
Christmas Day

Paid Holidays

1/2 day on Christmas Eve if work is performed in the A.M.

(Local #197)

DIVER

Diver (Marine)

Effective Period: 7/1/2017 - 6/30/2018

Wage Rate per Hour: **\$66.66**

Supplemental Benefit Rate per Hour: **\$49.66**

Diver Tender (Marine)

Effective Period: 7/1/2017 - 6/30/2018

Wage Rate per Hour: **\$47.34**

Supplemental Benefit Rate per Hour: **\$49.66**

Overtime

Time and one half the regular rate after an 8 hour day.

Time and one half the regular rate for Saturday.

Double time the regular rate for Sunday.

Saturday may be used as a make-up day at straight time when a day is lost during that week to inclement weather.

Overtime Holidays

Double time the regular rate for work on the following holiday(s).

New Year's Day
President's Day
Memorial Day
Independence Day
Labor Day
Columbus Day
Presidential Election Day
Thanksgiving Day
Christmas Day

Paid Holidays

None

OFFICE OF THE COMPTROLLER, CITY OF NEW YORK
§220 PREVAILING WAGE SCHEDULE

Shift Rates

When three shifts are utilized each shift shall work seven and one half-hours (7 1/2 hours) and paid for 8 hours, allowing for one half hour for lunch.

(Carpenters District Council)

DOCKBUILDER - PILE DRIVER

Dockbuilder - Pile Driver

Effective Period: 7/1/2017 - 6/30/2018

Wage Rate per Hour: **\$52.63**

Supplemental Benefit Rate per Hour: **\$49.66**

Overtime

Time and one half the regular rate after an 8 hour day.

Time and one half the regular rate for Saturday.

Double time the regular rate for Sunday.

Saturday may be used as a make-up day at straight time when a day is lost during that week to inclement weather.

Overtime Holidays

Double time the regular rate for work on the following holiday(s).

New Year's Day

President's Day

Memorial Day

Independence Day

Labor Day

Columbus Day

Presidential Election Day

Thanksgiving Day

Christmas Day

Paid Holidays

None

Shift Rates

Off shift work commencing between 5:00 P.M. and 11:00 P.M. shall work eight and one half hours allowing for one half hour for lunch. The wage rate shall be 113% of the straight time hourly wage rate.

(Carpenters District Council)

OFFICE OF THE COMPTROLLER, CITY OF NEW YORK
§220 PREVAILING WAGE SCHEDULE

DRIVER: TRUCK (TEAMSTER)

Driver - Dump Truck

Effective Period: 7/1/2017 - 6/30/2018

Wage Rate per Hour: **\$41.18**

Supplemental Benefit Rate per Hour: **\$44.79**

Supplemental Note: Over 40 hours worked: at time and one half rate - \$19.94; at double time rate - \$26.58

Driver - Tractor Trailer

Effective Period: 7/1/2017 - 6/30/2018

Wage Rate per Hour: **\$42.22**

Supplemental Benefit Rate per Hour: **\$45.40**

Supplemental Note: Over 40 hours worked: at time and one half rate - \$17.55; at double time rate - \$23.40

Driver - Euclid & Turnapull Operator

Effective Period: 7/1/2017 - 6/30/2018

Wage Rate per Hour: **\$42.78**

Supplemental Benefit Rate per Hour: **\$45.40**

Supplemental Note: Over 40 hours worked: at time and one half rate - \$17.55 at double time rate - \$23.40

Overtime Description

For Paid Holidays: Holiday pay for all holidays shall be prorated based two hours per day for each day worked in the holiday week, not to exceed 8 hours of holiday pay. For Thanksgiving week, the prorated share shall be 5 1/3 hours of holiday pay for each day worked in Thanksgiving week.

Overtime

Time and one half the regular rate after an 8 hour day.

Time and one half the regular rate for Saturday.

Double time the regular rate for Sunday.

Overtime Holidays

Double time the regular rate for work on the following holiday(s).

New Year's Day

President's Day

Memorial Day

Independence Day

Labor Day

Columbus Day

Veteran's Day

Thanksgiving Day

Day after Thanksgiving

Christmas Day

Paid Holidays

New Year's Day

President's Day

Memorial Day

OFFICE OF THE COMPTROLLER, CITY OF NEW YORK
§220 PREVAILING WAGE SCHEDULE

Independence Day
Labor Day
Columbus Day
Veteran's Day
Thanksgiving Day
Day after Thanksgiving
Christmas Day

Shift Rates

Off single shift work commencing between 6:00 P.M. and 5:00 A.M. shall work eight and one half hours allowing for one half hour for lunch and receive 9 hours pay for 8 hours of work.

Driver Redi-Mix (Sand & Gravel)

Effective Period: 7/1/2017 - 6/30/2018

Wage Rate per Hour: **\$38.40**

Supplemental Benefit Rate per Hour: **\$42.12**

Supplemental Note: Over 40 hours worked: time and one half rate \$15.99, double time rate \$21.33

Overtime Description

For Paid Holidays: Employees working two (2) days in the calendar week in which the holiday falls are to paid for these holidays, provided they shape each remaining workday during that calendar week.

Overtime

Time and one half the regular rate after an 8 hour day.

Time and one half the regular rate for Saturday.

Double time the regular rate for Sunday.

Overtime Holidays

Double time the regular rate for work on the following holiday(s).

President's Day
Columbus Day
Veteran's Day

Triple time the regular rate for work on the following holiday(s).

New Year's Day
Memorial Day
Independence Day
Labor Day
Thanksgiving Day
Christmas Day

Paid Holidays

New Year's Day
President's Day
Memorial Day
Independence Day
Labor Day
Columbus Day

OFFICE OF THE COMPTROLLER, CITY OF NEW YORK
§220 PREVAILING WAGE SCHEDULE

Election Day
Thanksgiving Day
Christmas Day

(Local #282)

ELECTRICIAN

(Including all low voltage cabling carrying data; video; and voice in combination with data and or video.)

Electrician "A" (Regular Day / Day Shift)

Effective Period: 7/1/2017 - 5/9/2018

Wage Rate per Hour: **\$56.00**

Supplemental Benefit Rate per Hour: **\$54.35**

Effective Period: 5/10/2018 - 6/30/2018

Wage Rate per Hour: **\$56.00**

Supplemental Benefit Rate per Hour: **\$55.72**

Electrician "A" (Regular Day Overtime after 7 hrs / Day Shift Overtime after 8 hrs)

Effective Period: 7/1/2017 - 5/9/2018

Wage Rate per Hour: **\$84.00**

Supplemental Benefit Rate per Hour: **\$57.86**

Effective Period: 5/10/2018 - 6/30/2018

Wage Rate per Hour: **\$84.00**

Supplemental Benefit Rate per Hour: **\$59.23**

Electrician "A" (Swing Shift)

Effective Period: 7/1/2017 - 5/9/2018

Wage Rate per Hour: **\$65.71**

Supplemental Benefit Rate per Hour: **\$61.94**

Effective Period: 5/10/2018 - 6/30/2018

Wage Rate per Hour: **\$65.71**

Supplemental Benefit Rate per Hour: **\$63.52**

Electrician "A" (Swing Shift Overtime After 7.5 hours)

Effective Period: 7/1/2017 - 5/9/2018

OFFICE OF THE COMPTROLLER, CITY OF NEW YORK
§220 PREVAILING WAGE SCHEDULE

Wage Rate per Hour: **\$98.57**
Supplemental Benefit Rate per Hour: **\$66.05**

Effective Period: 5/10/2018 - 6/30/2018
Wage Rate per Hour: **\$98.57**
Supplemental Benefit Rate per Hour: **\$67.64**

Electrician "A" (Graveyard Shift)

Effective Period: 7/1/2017 - 5/9/2018
Wage Rate per Hour: **\$73.60**
Supplemental Benefit Rate per Hour: **\$68.33**

Effective Period: 5/10/2018 - 6/30/2018
Wage Rate per Hour: **\$73.60**
Supplemental Benefit Rate per Hour: **\$70.09**

Electrician "A" (Graveyard Shift Overtime After 7 hours)

Effective Period: 7/1/2017 - 5/9/2018
Wage Rate per Hour: **\$110.40**
Supplemental Benefit Rate per Hour: **\$72.95**

Effective Period: 5/10/2018 - 6/30/2018
Wage Rate per Hour: **\$110.40**
Supplemental Benefit Rate per Hour: **\$74.70**

Overtime

Time and one half the regular rate after a 7 hour day.
Time and one half the regular rate for Saturday.
Time and one half the regular rate for Sunday.

Overtime Holidays

Time and one half the regular rate for work on a holiday.
New Year's Day
Martin Luther King Jr. Day
President's Day
Memorial Day
Independence Day
Labor Day
Columbus Day
Veteran's Day
Thanksgiving Day
Day after Thanksgiving
Christmas Day

Paid Holidays

None

Shift Rates

OFFICE OF THE COMPTROLLER, CITY OF NEW YORK
§220 PREVAILING WAGE SCHEDULE

When so elected by the Employer, one or more shifts of at least five days duration may be scheduled as follows:
Day Shift: 8:00 am to 4:30 pm, Swing Shift 4:30 pm to 12:30 am, Graveyard Shift: 12:30 am to 8:00 am.

For multiple shifts of temporary light and/or power, the temporary light and/or power employee shall be paid for 8 hours at the straight time rate. For three or less workers performing 8 hours temporary light and/or power the supplemental benefit rate is \$25.67 and effective 5/10/18 \$25.92.

Electrician "M" (First 8 hours)

"M" rated work shall be defined as jobbing: electrical work of limited duration and scope, also consisting of repairs and/or replacement of electrical and tele-data equipment. Includes all work necessary to retrofit, service, maintain and repair all kinds of lighting fixtures and local lighting controls and washing and cleaning of foregoing fixtures.

Effective Period: 7/1/2017 - 5/9/2018

Wage Rate per Hour: **\$28.50**

Supplemental Benefit Rate per Hour: **\$22.10**

First and Second Year "M" Wage Rate Per Hour: **\$24.00**

First and Second Year "M" Supplemental Rate: **\$19.80**

Effective Period: 5/10/2018 - 6/30/2018

Wage Rate per Hour: **\$29.00**

Supplemental Benefit Rate per Hour: **\$22.65**

First and Second Year "M" Wage Rate Per Hour: **\$24.50**

First and Second Year "M" Supplemental Rate: **\$20.30**

Electrician "M" (Overtime After First 8 hours)

"M" rated work shall be defined as jobbing: electrical work of limited duration and scope, also consisting of repairs and/or replacement of electrical and tele-data equipment. Includes all work necessary to retrofit, service, maintain and repair all kinds of lighting fixtures and local lighting controls and washing and cleaning of foregoing fixtures.

Effective Period: 7/1/2017 - 5/9/2018

Wage Rate per Hour: **\$42.75**

Supplemental Benefit Rate per Hour: **\$23.89**

First and Second Year "M" Wage Rate Per Hour: **\$36.00**

First and Second Year "M" Supplemental Rate: **\$21.30**

Effective Period: 5/10/2018 - 6/30/2018

Wage Rate per Hour: **\$43.50**

Supplemental Benefit Rate per Hour: **\$24.47**

First and Second Year "M" Wage Rate Per Hour: **\$36.75**

First and Second Year "M" Supplemental Rate: **\$21.84**

Overtime

Time and one half the regular rate after an 8 hour day.

Time and one half the regular rate for Saturday.

Time and one half the regular rate for Sunday.

OFFICE OF THE COMPTROLLER, CITY OF NEW YORK
§220 PREVAILING WAGE SCHEDULE

Overtime Holidays

Time and one half the regular rate for work on the following holiday(s).

New Year's Day
Martin Luther King Jr. Day
President's Day
Memorial Day
Independence Day
Labor Day
Columbus Day
Veteran's Day
Thanksgiving Day
Day after Thanksgiving
Christmas Day

Paid Holidays

None

(Local #3)

ELECTRICIAN - ALARM TECHNICIAN

(Scope of Work - Inspect, test, repair, and replace defective, malfunctioning, or broken devices, components and controls of Fire, Burglar and Security Systems)

Alarm Technician

Effective Period: 7/1/2017 - 6/30/2018

Wage Rate per Hour: **\$32.40**

Supplemental Benefit Rate per Hour: **\$16.10**

Supplemental Note: \$14.60 only after 8 hours worked in a day

Overtime Description

Time and one half the regular rate for work on the following holidays: Columbus Day, Veterans Day, Day after Thanksgiving.

Double time the regular rate for work on the following holidays: New Year's day, Martin Luther King Jr. Day, President's Day, Memorial Day, Independence Day, Labor Day, Thanksgiving Day, Christmas Day.

Overtime

Time and one half the regular rate after an 8 hour day.

Time and one half the regular rate for Saturday.

Double time the regular rate for Sunday.

Paid Holidays

New Year's Day

OFFICE OF THE COMPTROLLER, CITY OF NEW YORK
§220 PREVAILING WAGE SCHEDULE

Martin Luther King Jr. Day
President's Day
Memorial Day
Independence Day
Labor Day
Columbus Day
Veteran's Day
Thanksgiving Day
Day after Thanksgiving
Christmas Day

Shift Rates

Night Differential is based upon a ten percent (10%) differential between the hours of 4:00 P.M. and 12:30 A.M. and a fifteen percent (15%) differential for the hours 12:00 A.M. to 8:00 A.M.

Vacation

At least 1 year of employment.....ten (10) days
5 years or more of employment.....fifteen (15) days
10 years of employment.....twenty (20) days
Plus one Personal Day per year

Sick Days:

One day per Year. Up to 4 vacation days may be used as sick days.

(Local #3)

ELECTRICIAN-STREET LIGHTING WORKER

Electrician - Electro Pole Electrician

Effective Period: 7/1/2017 - 5/15/2018

Wage Rate per Hour: \$56.00

Supplemental Benefit Rate per Hour: \$56.26

Effective Period: 5/16/2018 - 6/30/2018

Wage Rate per Hour: \$56.00

Supplemental Benefit Rate per Hour: \$57.63

Electrician - Electro Pole Foundation Installer

Effective Period: 7/1/2017 - 5/15/2018

Wage Rate per Hour: \$41.54

Supplemental Benefit Rate per Hour: \$41.02

Effective Period: 5/16/2018 - 6/30/2018

Wage Rate per Hour: \$42.16

Supplemental Benefit Rate per Hour: \$42.19

OFFICE OF THE COMPTROLLER, CITY OF NEW YORK
§220 PREVAILING WAGE SCHEDULE

Electrician - Electro Pole Maintainer

Effective Period: 7/1/2017 - 5/16/2018

Wage Rate per Hour: **\$35.58**

Supplemental Benefit Rate per Hour: **\$36.89**

Effective Period: 5/17/2018 - 6/30/2018

Wage Rate per Hour: **\$36.11**

Supplemental Benefit Rate per Hour: **\$37.93**

Overtime Description

Electrician - Electro Pole Electrician: Time and one half the regular rate after a 7 hour day and after 5 consecutive days worked per week.

Electrician - Electro Pole Foundation Installer: Time and one half the regular rate after 8 hours within a 24 hour period and Saturday and Sunday.

Electrician - Electro Pole Maintainer: Time and one half the regular rate after a 7 hour day and after 5 consecutive days worked per week. Saturdays and Sundays may be used as a make-up day at straight time when a day is lost during the week to inclement weather.

Overtime Holidays

Time and one half the regular rate for work on the following holiday(s).

New Year's Day

Martin Luther King Jr. Day

President's Day

Memorial Day

Independence Day

Labor Day

Columbus Day

Veteran's Day

Thanksgiving Day

Day after Thanksgiving

Christmas Day

Paid Holidays

None

(Local #3)

ELEVATOR CONSTRUCTOR

Elevator Constructor

Effective Period: 7/1/2017 - 3/16/2018

Wage Rate per Hour: **\$62.64**

Supplemental Benefit Rate per Hour: **\$34.25**

OFFICE OF THE COMPTROLLER, CITY OF NEW YORK
§220 PREVAILING WAGE SCHEDULE

Effective Period: 3/17/2018 - 6/30/2018

Wage Rate per Hour: \$64.48

Supplemental Benefit Rate per Hour: \$35.85

Overtime Description

For New Construction: work performed after 7 or 8 hour day, Saturday, Sunday or between 4:30pm and 7:00am shall be paid at double time rate.

Existing buildings: work performed after an 8 hour day, Saturday, Sunday or between 5:30pm and 7:00 am shall be paid time and one half.

Overtime

Double time the regular rate for work on the following holiday(s).

Paid Holidays

New Year's Day
President's Day
Good Friday
Memorial Day
Independence Day
Labor Day
Columbus Day
Veteran's Day
Thanksgiving Day
Day after Thanksgiving
Christmas Day

Vacation

Employer contributes 8% of regular basic hourly rate as vacation pay for employees with more than 15 years of service, and 6% for employees with 5 to 15 years of service, and 4% for employees with less than 5 years of service.

(Local #1)

ELEVATOR REPAIR & MAINTENANCE

Elevator Service/Modernization Mechanic

Effective Period: 7/1/2017 - 3/16/2018

Wage Rate per Hour: \$49.14

Supplemental Benefit Rate per Hour: \$34.11

Effective Period: 3/17/2018 - 6/30/2018

Wage Rate per Hour: \$50.49

Supplemental Benefit Rate per Hour: \$35.71

OFFICE OF THE COMPTROLLER, CITY OF NEW YORK
§220 PREVAILING WAGE SCHEDULE

Overtime Description

For Scheduled Service Work: Double time - work scheduled in advance by two or more workers performed on Sundays, Holidays, and between midnight and 7:00am.

Overtime

Time and one half the regular rate after an 8 hour day.

Time and one half the regular rate for Saturday.

Time and one half the regular rate for Sunday.

Time and one half the regular rate for work on a holiday plus the day's pay.

Paid Holidays

New Year's Day

President's Day

Good Friday

Memorial Day

Independence Day

Labor Day

Columbus Day

Veteran's Day

Thanksgiving Day

Day after Thanksgiving

Christmas Day

Shift Rates

Afternoon shift - regularly hourly rate plus a (15%) fifteen percent differential. Graveyard shift - time and one half the regular rate.

Vacation

Employer contributes 8% of regular basic hourly rate as vacation pay for employees with more than 15 years of service, and 6% for employees with 5 to 15 years of service, and 4% for employees with less than 5 years of service.

(Local #1)

ENGINEER

Engineer - Heavy Construction Operating Engineer I

Cherry pickers 20 tons and over and Loaders (rubber tired and/or tractor type with a manufacturer's minimum rated capacity of six cubic yards and over).

Effective Period: 7/1/2017 - 6/30/2018

Wage Rate per Hour: **\$67.32**

Supplemental Benefit Rate per Hour: **\$36.87**

Supplemental Note: **\$66.34** on overtime

Shift Wage Rate: **\$107.71**

OFFICE OF THE COMPTROLLER, CITY OF NEW YORK
§220 PREVAILING WAGE SCHEDULE

Engineer - Heavy Construction Operating Engineer II

Backhoes, Basin Machines, Groover, Mechanical Sweepers, Bobcat, Boom Truck, Barrier Transport (Barrier Mover) & machines of similar nature. Operation of Churn Drills and machines of a similar nature, Stetco Silent Hoist and machines of similar nature, Vac-Alls, Meyers Machines, John Beam and machines of a similar nature, Ross Carriers and Travel Lifts and machines of a similar nature, Bulldozers, Scrapers and Turn-a-Pulls: Tugger Hoists (Used exclusively for handling excavated material); Tractors with attachments, Hyster and Roustabout Cranes, Cherrypickers. Austin Western, Grove and machines of a similar nature, Scoopmobiles, Monorails, Conveyors, Trenchers: Loaders-Rubber Tired and Tractor: Barber Greene and Eimco Loaders and Eimco Backhoes; Mighty Midget and similar breakers and Tampers, Curb and Gutter Pavers and Motor Patrol, Motor Graders and all machines of a similar nature. Locomotives 10 Tons or under. Mini-Max, Break-Tech and machines of a similar nature; Milling machines, robotic and demolition machines and machines of a similar nature, shot blaster, skid steer machines and machines of a similar nature including bobcat, pile rig rubber-tired excavator (37,000 lbs. and under), 2 man auger.

Effective Period: 7/1/2017 - 6/30/2018

Wage Rate per Hour: **\$65.31**

Supplemental Benefit Rate per Hour: **\$36.87**

Supplemental Note: \$66.34 on overtime

Shift Wage Rate: **\$104.50**

Engineer - Heavy Construction Operating Engineer III

Minor Equipment such as Tractors, Post Hole Diggers, Ditch Witch (Walk Behind), Road Finishing Machines, Rollers five tons and under, Tugger Hoists, Dual Purpose Trucks, Fork Lifts, and Dempsey Dumpers, Fireperson.

Effective Period: 7/1/2017 - 6/30/2018

Wage Rate per Hour: **\$61.93**

Supplemental Benefit Rate per Hour: **\$36.87**

Supplemental Note: \$66.34 on overtime

Shift Wage Rate: **\$99.09**

Engineer - Heavy Construction Maintenance Engineer I

Installing, Repairing, Maintaining, Dismantling and Manning of all equipment including Steel Cutting, Bending and Heat Sealing Machines, Mechanical Heaters, Grout Pumps, Bentonite Pumps & Plants, Screening Machines, Fusion Coupling Machines, Tunnel Boring Machines Moles and Machines of a similar nature, Power Packs, Mechanical Hydraulic Jacks; all drill rigs including but not limited to Churn, Rotary Caisson, Raised Bore & Drills of a similar nature; Personnel, Inspection & Safety Boats or any boats used to perform functions of same, Mine Hoists, Whirlies, all Climbing Cranes, all Tower Cranes, including but not limited to Truck Mounted and Crawler Type and machines of similar nature; Maintaining Hydraulic Drills and machines of a similar nature; Well Point System-Installation and dismantling; Burning, Welding, all Pumps regardless of size and/or motor power, except River Cofferdam Pumps and Wells Point Pumps; Motorized Buggies (three or more); equipment used in the cleaning and televising of sewers, but not limited to jet-rodder/vacuum truck, vacall/vactor, closed circuit television inspection equipment; high powered water pumps, jet pumps; screed machines and concrete finishing machines of a similar nature; vermeers.

Effective Period: 7/1/2017 - 6/30/2018

Wage Rate per Hour: **\$65.00**

Supplemental Benefit Rate per Hour: **\$36.87**

Supplemental Note: \$66.34 on overtime

Shift Wage Rate: **\$104.00**

OFFICE OF THE COMPTROLLER, CITY OF NEW YORK
§220 PREVAILING WAGE SCHEDULE

Engineer - Heavy Construction Maintenance Engineer II

On Base Mounted Tower Cranes

Effective Period: 7/1/2017 - 6/30/2018

Wage Rate per Hour: **\$85.53**

Supplemental Benefit Rate per Hour: **\$36.87**

Supplemental Note: \$66.34 on overtime

Shift Wage Rate: **\$136.85**

Engineer - Heavy Construction Maintenance Engineer III

On Generators, Light Towers

Effective Period: 7/1/2017 - 6/30/2018

Wage Rate per Hour: **\$42.73**

Supplemental Benefit Rate per Hour: **\$36.87**

Supplemental Note: \$66.34 on overtime

Shift Wage Rate: **\$68.37**

Engineer - Heavy Construction Maintenance Engineer IV

On Pumps and Mixers including mud sucking

Effective Period: 7/1/2017 - 6/30/2018

Wage Rate per Hour: **\$43.86**

Supplemental Benefit Rate per Hour: **\$36.87**

Supplemental Note: \$66.34 on overtime

Shift Wage Rate: **\$70.18**

Engineer - Heavy Construction Oilers I

Gradalls, Cold Planer Grader, Concrete Pumps, Driving Truck Cranes, Driving and Operating Fuel and Grease Trucks.

Effective Period: 7/1/2017 - 6/30/2018

Wage Rate per Hour: **\$58.57**

Supplemental Benefit Rate per Hour: **\$36.87**

Supplemental Note: \$66.34 on overtime

Shift Wage Rate: **\$93.71**

Engineer - Heavy Construction Oilers II

All gasoline, electric, diesel or air operated Shovels, Draglines, Backhoes, Keystones, Pavers, Gunite Machines, Battery of Compressors, Crawler Cranes, two-person Trenching Machines.

Effective Period: 7/1/2017 - 6/30/2018

Wage Rate per Hour: **\$40.36**

Supplemental Benefit Rate per Hour: **\$36.87**

OFFICE OF THE COMPTROLLER, CITY OF NEW YORK
§220 PREVAILING WAGE SCHEDULE

Supplemental Note: \$66.34 on overtime
Shift Wage Rate: \$64.58

Engineer - Steel Erection Maintenance Engineers

Derrick, Travelers, Tower, Crawler Tower and Climbing Cranes

Effective Period: 7/1/2017 - 6/30/2018
Wage Rate per Hour: \$61.13
Supplemental Benefit Rate per Hour: \$35.41
Supplemental Note: \$63.67 on overtime
Shift Wage Rate: \$97.81

Engineer - Steel Erection Oiler I

On a Truck Crane

Effective Period: 7/1/2017 - 6/30/2018
Wage Rate per Hour: \$57.21
Supplemental Benefit Rate per Hour: \$35.41
Supplemental Note: \$63.67 on overtime
Shift Wage Rate: \$91.54

Engineer - Steel Erection Oiler II

On a Crawler Crane

Effective Period: 7/1/2017 - 6/30/2018
Wage Rate per Hour: \$43.54
Supplemental Benefit Rate per Hour: \$35.41
Supplemental Note: \$63.67 on overtime
Shift Wage Rate: \$69.66

Overtime Description

On jobs of more than one shift, if the next shift employee fails to report for work through any cause over which the employer has no control, the employee on duty who works the next shift continues to work at the single time rate.

Overtime

Double time the regular rate after an 8 hour day.
Double time the regular time rate for Saturday.
Double time the regular rate for Sunday.
Double time the regular rate for work on the following holiday(s).

Paid Holidays

New Year's Day
Lincoln's Birthday
President's Day
Memorial Day
Independence Day

OFFICE OF THE COMPTROLLER, CITY OF NEW YORK
§220 PREVAILING WAGE SCHEDULE

Labor Day
Columbus Day
Veteran's Day
Thanksgiving Day
Day after Thanksgiving
Christmas Day

Employees must work at least one day in the payroll week in which the holiday occurs to receive the paid holiday

Engineer - Building Work Maintenance Engineers I

Installing, repairing, maintaining, dismantling (of all equipment including: Steel Cutting and Bending Machines, Mechanical Heaters, Mine Hoists, Climbing Cranes, Tower Cranes, Linden Peine, Lorain, Liebherr, Mannes, or machines of a similar nature, Well Point Systems, Deep Well Pumps, Concrete Mixers with loading Device, Concrete Plants, Motor Generators when used for temporary power and lights), skid steer machines of a similar nature including bobcat.

Effective Period: 7/1/2017 - 6/30/2018

Wage Rate per Hour: \$58.30

Supplemental Benefit Rate per Hour: \$35.41

Supplemental Note: \$63.67 on overtime

Engineer - Building Work Maintenance Engineers II

On Pumps, Generators, Mixers and Heaters

Effective Period: 7/1/2017 - 6/30/2018

Wage Rate per Hour: \$45.28

Supplemental Benefit Rate per Hour: \$35.41

Supplemental Note: \$63.67 on overtime

Engineer - Building Work Oilers I

All gasoline, electric, diesel or air operated Gradealls: Concrete Pumps, Overhead Cranes in Power Houses: Their duties shall be to assist the Engineer in oiling, greasing and repairing of all machines; Driving Truck Cranes: Driving and Operating Fuel and Grease Trucks, Cherrypickers (hydraulic cranes) over 70,000 GVW, and machines of a similar nature.

Effective Period: 7/1/2017 - 6/30/2018

Wage Rate per Hour: \$55.42

Supplemental Benefit Rate per Hour: \$35.41

Supplemental Note: \$63.67 on overtime

Engineer - Building Work Oilers II

Oilers on Crawler Cranes, Backhoes, Trenching Machines, Gunite Machines, Compressors (three or more in Battery).

Effective Period: 7/1/2017 - 6/30/2018

OFFICE OF THE COMPTROLLER, CITY OF NEW YORK
§220 PREVAILING WAGE SCHEDULE

Wage Rate per Hour: **\$41.16**
Supplemental Benefit Rate per Hour: **\$35.41**
Supplemental Note: \$63.67 on overtime

Overtime Description

On jobs of more than one shift, if an Employee fails to report for work through any cause over which the Employer has no control, the Employee on duty will continue to work at the rate of single time.

Overtime

Double time the regular rate after an 8 hour day.
Double time the regular time rate for Saturday.
Double time the regular rate for Sunday.
Double time the regular rate for work on the following holiday(s).

Paid Holidays

New Year's Day
Lincoln's Birthday
President's Day
Memorial Day
Independence Day
Labor Day
Columbus Day
Veteran's Day
Thanksgiving Day
Christmas Day

Employees must work at least one day in the payroll week in which the holiday occurs to receive the paid holiday

Shift Rates

Off Shift: double time the regular hourly rate.

(Local #15)

ENGINEER - CITY SURVEYOR AND CONSULTANT

Party Chief

Effective Period: 7/1/2017 - 6/30/2018
Wage Rate per Hour: **\$38.18**
Supplemental Benefit Rate per Hour: **\$20.15**
Supplemental Note: Overtime Benefit Rate - \$27.65 per hour (time & one half) \$35.15 per hour (double time).

Instrument Person

Effective Period: 7/1/2017 - 6/30/2018
Wage Rate per Hour: **\$31.47**
Supplemental Benefit Rate per Hour: **\$20.15**

OFFICE OF THE COMPTROLLER, CITY OF NEW YORK
§220 PREVAILING WAGE SCHEDULE

Supplemental Note: Overtime Benefit Rate - \$27.65 per hour (time & one half) \$35.15 per hour (double time).

Rodperson

Effective Period: 7/1/2017 - 6/30/2018

Wage Rate per Hour: \$27.24

Supplemental Benefit Rate per Hour: \$20.15

Supplemental Note: Overtime Benefit Rate - \$27.65 per hour (time & one half) \$35.15 per hour (double time).

Overtime Description

Time and one half the regular rate after an 8 hour day, Time and one half the regular rate for Saturday for the first eight hours worked, Double time the regular time rate for Saturday for work performed in excess of eight hours, Double time the regular rate for Sunday and Double time the regular rate for work on a holiday.

Paid Holidays

New Year's Day

Lincoln's Birthday

President's Day

Memorial Day

Independence Day

Labor Day

Columbus Day

Veteran's Day

Thanksgiving Day

Day after Thanksgiving

Christmas Day

Employees must work at least one day in the payroll week in which the holiday occurs to receive the paid holiday

(Operating Engineer Local #15-D)

ENGINEER - FIELD (BUILDING CONSTRUCTION)
(Construction of Building Projects, Concrete Superstructures, etc.)

Field Engineer - BC Party Chief

Effective Period: 7/1/2017 - 6/30/2018

Wage Rate per Hour: \$60.10

Supplemental Benefit Rate per Hour: \$32.15

Supplemental Note: Overtime Benefit Rate - \$44.90 per hour (time & one half) \$57.65 per hour (double time).

Field Engineer - BC Instrument Person

Effective Period: 7/1/2017 - 6/30/2018

Wage Rate per Hour: \$46.69

Supplemental Benefit Rate per Hour: \$32.15

OFFICE OF THE COMPTROLLER, CITY OF NEW YORK
§220 PREVAILING WAGE SCHEDULE

Supplemental Note: Overtime Benefit Rate - \$44.90 per hour (time & one half) \$57.65 per hour (double time).

Field Engineer - BC Rodperson

Effective Period: 7/1/2017 - 6/30/2018

Wage Rate per Hour: \$30.20

Supplemental Benefit Rate per Hour: \$32.15

Supplemental Note: Overtime Benefit Rate - \$44.90 per hour (time & one half) \$57.65 per hour (double time).

Overtime Description

Time and one half the regular rate after a 7 hour work and time and one half the regular rate for Saturday for the first seven hours worked, Double time the regular time rate for Saturday for work performed in excess of seven hours, Double time the regular rate for Sunday and Double time the regular rate for work on a holiday.

Paid Holidays

New Year's Day

President's Day

Good Friday

Memorial Day

Independence Day

Labor Day

Columbus Day

Veteran's Day

Thanksgiving Day

Christmas Day

Employees must work at least one day in the payroll week in which the holiday occurs to receive the paid holiday

(Operating Engineer Local #15-D)

ENGINEER - FIELD (HEAVY CONSTRUCTION)

(Construction of Roads, Tunnels, Bridges, Sewers, Building Foundations, Engineering Structures etc.)

Field Engineer - HC Party Chief

Effective Period: 7/1/2017 - 6/30/2018

Wage Rate per Hour: \$70.25

Supplemental Benefit Rate per Hour: \$34.18

Supplemental Note: Overtime benefit rate - \$47.82 per hour (time & one half), \$61.46 per hour (double time).

Field Engineer - HC Instrument Person

Effective Period: 7/1/2017 - 6/30/2018

Wage Rate per Hour: \$51.64

OFFICE OF THE COMPTROLLER, CITY OF NEW YORK
§220 PREVAILING WAGE SCHEDULE

Supplemental Benefit Rate per Hour: **\$34.18**

Supplemental Note: Overtime benefit rate - \$47.82 per hour (time & one half), \$61.46 per hour (double time).

Field Engineer - HC Rodperson

Effective Period: 7/1/2017 - 6/30/2018

Wage Rate per Hour: **\$43.37**

Supplemental Benefit Rate per Hour: **\$34.18**

Supplemental Note: Overtime benefit rate - \$47.82 per hour (time & one half), \$61.46 per hour (double time).

Overtime Description

Time and one half the regular rate after an 8 hour day, Time and one half the regular rate for Saturday for the first eight hours worked, Double time the regular time rate for Saturday for work performed in excess of eight hours, Double time the regular rate for Sunday and Double time the regular rate for work on a holiday.

Paid Holidays

New Year's Day

Lincoln's Birthday

President's Day

Memorial Day

Independence Day

Labor Day

Columbus Day

Veteran's Day

Thanksgiving Day

Christmas Day

Employees must work at least one day in the payroll week in which the holiday occurs to receive the paid holiday

(Operating Engineer Local #15-D)

ENGINEER - FIELD (STEEL ERECTION)

Field Engineer - Steel Erection Party Chief

Effective Period: 7/1/2017 - 6/30/2018

Wage Rate per Hour: **\$63.64**

Supplemental Benefit Rate per Hour: **\$33.04**

Supplemental Note: Overtime benefit rate - \$46.11 per hour (time & one half), \$59.18 per hour (double time).

Field Engineer - Steel Erection Instrument Person

Effective Period: 7/1/2017 - 6/30/2018

Wage Rate per Hour: **\$49.59**

Supplemental Benefit Rate per Hour: **\$33.04**

Supplemental Note: Overtime benefit rate - \$46.11 per hour (time & one half), \$59.18 per hour (double time).

OFFICE OF THE COMPTROLLER, CITY OF NEW YORK
§220 PREVAILING WAGE SCHEDULE

Field Engineer - Steel Erection Rodperson

Effective Period: 7/1/2017 - 6/30/2018

Wage Rate per Hour: **\$33.20**

Supplemental Benefit Rate per Hour: **\$33.04**

Supplemental Note: Overtime benefit rate - \$46.11 per hour (time & one half), \$59.18 per hour (double time).

Overtime Description

Time and one half the regular rate for Saturday for the first eight hours worked.

Double time the regular rate for Saturday for work performed in excess of eight hours.

Overtime

Time and one half the regular rate after an 8 hour day.

Double time the regular rate for Sunday.

Double time the regular rate for work on the following holiday(s).

Paid Holidays

New Year's Day

Lincoln's Birthday

President's Day

Memorial Day

Independence Day

Labor Day

Columbus Day

Veteran's Day

Thanksgiving Day

Christmas Day

Employees must work at least one day in the payroll week in which the holiday occurs to receive the paid holiday

(Operating Engineer Local #15-D)

ENGINEER - OPERATING

Operating Engineer - Road & Heavy Construction I

Back Filling Machines, Cranes, Mucking Machines and Dual Drum Paver.

Effective Period: 7/1/2017 - 6/30/2018

Wage Rate per Hour: **\$76.60**

Supplemental Benefit Rate per Hour: **\$31.10**

Supplemental Note: \$56.50 overtime hours

Shift Wage Rate: **\$122.56**

Operating Engineer - Road & Heavy Construction II

Backhoes, Power Shovels, Hydraulic Clam Shells, Steel Erection, Moles and machines of a similar nature.

OFFICE OF THE COMPTROLLER, CITY OF NEW YORK
§220 PREVAILING WAGE SCHEDULE

Effective Period: 7/1/2017 - 6/30/2018
Wage Rate per Hour: \$79.28
Supplemental Benefit Rate per Hour: \$31.10
Supplemental Note: \$56.50 overtime hours
Shift Wage Rate: \$126.85

Operating Engineer - Road & Heavy Construction III

Mine Hoists, Cranes, etc. (Used as Mine Hoists)

Effective Period: 7/1/2017 - 6/30/2018
Wage Rate per Hour: \$81.80
Supplemental Benefit Rate per Hour: \$31.10
Supplemental Note: \$56.50 overtime hours
Shift Wage Rate: \$130.88

Operating Engineer - Road & Heavy Construction IV

Gradealls, Keystones, Cranes on land or water (with digging buckets), Bridge Cranes, Vermeer Cutter and machines of a similar nature, Trenching Machines.

Effective Period: 7/1/2017 - 6/30/2018
Wage Rate per Hour: \$79.85
Supplemental Benefit Rate per Hour: \$31.10
Supplemental Note: \$56.50 overtime hours
Shift Wage Rate: \$127.76

Operating Engineer - Road & Heavy Construction V

Pile Drivers & Rigs (employing Dock Builder foreperson): Derrick Boats, Tunnel Shovels.

Effective Period: 7/1/2017 - 6/30/2018
Wage Rate per Hour: \$78.29
Supplemental Benefit Rate per Hour: \$31.10
Supplemental Note: \$56.50 overtime hours
Shift Wage Rate: \$125.26

Operating Engineer - Road & Heavy Construction VI

Mixers (Concrete with loading attachment), Concrete Pavers, Cableways, Land Derricks, Power Houses (Low Air Pressure Units).

Effective Period: 7/1/2017 - 6/30/2018
Wage Rate per Hour: \$74.42
Supplemental Benefit Rate per Hour: \$31.10
Supplemental Note: \$56.50 overtime hours
Shift Wage Rate: \$119.07

Operating Engineer - Road & Heavy Construction VII

OFFICE OF THE COMPTROLLER, CITY OF NEW YORK
§220 PREVAILING WAGE SCHEDULE

Barrier Movers , Barrier Transport and Machines of a Similar Nature.

Effective Period: 7/1/2017 - 6/30/2018

Wage Rate per Hour: **\$60.22**

Supplemental Benefit Rate per Hour: **\$31.10**

Supplemental Note: \$56.50 overtime hours

Shift Wage Rate: **\$96.35**

Operating Engineer - Road & Heavy Construction VIII

Utility Compressors

Effective Period: 7/1/2017 - 6/30/2018

Wage Rate per Hour: **\$46.88**

Supplemental Benefit Rate per Hour: **\$31.10**

Supplemental Note: \$56.50 overtime hours

Shift Wage Rate: **\$58.92**

Operating Engineer - Road & Heavy Construction IX

Horizontal Boring Rig

Effective Period: 7/1/2017 - 6/30/2018

Wage Rate per Hour: **\$70.79**

Supplemental Benefit Rate per Hour: **\$31.10**

Supplemental Note: \$56.50 overtime hours

Shift Wage Rate: **\$113.26**

Operating Engineer - Road & Heavy Construction X

Elevators (manually operated as personnel hoist).

Effective Period: 7/1/2017 - 6/30/2018

Wage Rate per Hour: **\$65.12**

Supplemental Benefit Rate per Hour: **\$31.10**

Supplemental Note: \$56.50 overtime hours

Shift Wage Rate: **\$104.19**

Operating Engineer - Road & Heavy Construction XI

Compressors (Portable 3 or more in battery), Driving of Truck Mounted Compressors, Well-point Pumps, Tugger Machines Well Point Pumps, Churn Drill.

Effective Period: 7/1/2017 - 6/30/2018

Wage Rate per Hour: **\$50.73**

Supplemental Benefit Rate per Hour: **\$31.10**

Supplemental Note: \$56.50 overtime hours

Shift Wage Rate: **\$81.17**

OFFICE OF THE COMPTROLLER, CITY OF NEW YORK
§220 PREVAILING WAGE SCHEDULE

Operating Engineer - Road & Heavy Construction XII

All Drills and Machines of a similar nature.

Effective Period: 7/1/2017 - 6/30/2018

Wage Rate per Hour: \$75.19

Supplemental Benefit Rate per Hour: \$31.10

Supplemental Note: \$56.50 overtime hours

Shift Wage Rate: \$120.30

Operating Engineer - Road & Heavy Construction XIII

Concrete Pumps, Concrete Plant, Stone Crushers, Double Drum Hoist, Power Houses (other than above).

Effective Period: 7/1/2017 - 6/30/2018

Wage Rate per Hour: \$72.84

Supplemental Benefit Rate per Hour: \$31.10

Supplemental Note: \$56.50 overtime hours

Shift Wage Rate: \$116.54

Operating Engineer - Road & Heavy Construction XIV

Concrete Mixer

Effective Period: 7/1/2017 - 6/30/2018

Wage Rate per Hour: \$69.67

Supplemental Benefit Rate per Hour: \$31.10

Supplemental Note: \$56.50 overtime hours

Shift Wage Rate: \$111.47

Operating Engineer - Road & Heavy Construction XV

Compressors (Portable Single or two in Battery, not over 100 feet apart), Pumps (River Cofferdam) and Welding Machines, Push Button Machines, All Engines Irrespective of Power (Power-Pac) used to drive auxiliary equipment, Air, Hydraulic, etc.

Effective Period: 7/1/2017 - 6/30/2018

Wage Rate per Hour: \$47.18

Supplemental Benefit Rate per Hour: \$31.10

Supplemental Note: \$56.50 overtime hours

Shift Wage Rate: \$75.49

Operating Engineer - Road & Heavy Construction XVI

Concrete Breaking Machines, Hoists (Single Drum), Load Masters, Locomotives (over ten tons) and Dinkies over ten tons, Hydraulic Crane-Second Engineer.

Effective Period: 7/1/2017 - 6/30/2018

Wage Rate per Hour: \$66.56

Supplemental Benefit Rate per Hour: \$31.10

OFFICE OF THE COMPTROLLER, CITY OF NEW YORK
§220 PREVAILING WAGE SCHEDULE

Supplemental Note: \$56.50 overtime hours
Shift Wage Rate: \$106.50

Operating Engineer - Road & Heavy Construction XVII

On-Site concrete plant engineer, On-site Asphalt Plant Engineer, and Vibratory console.

Effective Period: 7/1/2017 - 6/30/2018
Wage Rate per Hour: \$67.07
Supplemental Benefit Rate per Hour: \$31.10
Supplemental Note: \$56.50 overtime hours
Shift Wage Rate: \$107.31

Operating Engineer - Road & Heavy Construction XVIII

Tower Crane

Effective Period: 7/1/2017 - 6/30/2018
Wage Rate per Hour: \$95.98
Supplemental Benefit Rate per Hour: \$31.10
Supplemental Note: \$56.50 overtime hours
Shift Wage Rate: \$153.57

Operating Engineer - Paving I

Asphalt Spreaders, Autogrades (C.M.I.), Roto/Mil

Effective Period: 7/1/2017 - 6/30/2018
Wage Rate per Hour: \$74.42
Supplemental Benefit Rate per Hour: \$31.10
Supplemental Note: \$56.50 overtime hours
Shift Wage Rate: \$119.07

Operating Engineer - Paving II

Asphalt Roller

Effective Period: 7/1/2017 - 6/30/2018
Wage Rate per Hour: \$72.50
Supplemental Benefit Rate per Hour: \$31.10
Supplemental Note: \$56.50 overtime hours
Shift Wage Rate: \$116.00

Operating Engineer - Paving III

Asphalt Plants

Effective Period: 7/1/2017 - 6/30/2018
Wage Rate per Hour: \$61.43

OFFICE OF THE COMPTROLLER, CITY OF NEW YORK
§220 PREVAILING WAGE SCHEDULE

Supplemental Benefit Rate per Hour: **\$31.10**
Supplemental Note: \$56.50 overtime hours
Shift Wage Rate: **\$98.29**

Operating Engineer - Concrete I

Cranes

Effective Period: 7/1/2017 - 6/30/2018
Wage Rate per Hour: **\$79.50**
Supplemental Benefit Rate per Hour: **\$31.10**
Supplemental Note: \$56.50 overtime hours

Operating Engineer - Concrete II

Compressors

Effective Period: 7/1/2017 - 6/30/2018
Wage Rate per Hour: **\$47.54**
Supplemental Benefit Rate per Hour: **\$31.10**
Supplemental Note: \$56.50 overtime hours

Operating Engineer - Concrete III

Micro-traps (Negative Air Machines), Vac-All Remediation System.

Effective Period: 7/1/2017 - 6/30/2018
Wage Rate per Hour: **\$63.66**
Supplemental Benefit Rate per Hour: **\$31.10**
Supplemental Note: \$56.50 overtime hours

Operating Engineer - Steel Erection I

Three Drum Derricks

Effective Period: 7/1/2017 - 6/30/2018
Wage Rate per Hour: **\$82.23**
Supplemental Benefit Rate per Hour: **\$31.10**
Supplemental Note: \$56.50 overtime hours
Shift Wage Rate: **\$131.57**

Operating Engineer - Steel Erection II

Cranes, 2 Drum Derricks, Hydraulic Cranes, Fork Lifts and Boom Trucks.

Effective Period: 7/1/2017 - 6/30/2018
Wage Rate per Hour: **\$79.04**
Supplemental Benefit Rate per Hour: **\$31.10**
Supplemental Note: \$56.50 overtime hours
Shift Wage Rate: **\$126.46**

OFFICE OF THE COMPTROLLER, CITY OF NEW YORK
§220 PREVAILING WAGE SCHEDULE

Operating Engineer - Steel Erection III

Compressors, Welding Machines.

Effective Period: 7/1/2017 - 6/30/2018

Wage Rate per Hour: \$47.14

Supplemental Benefit Rate per Hour: \$31.10

Supplemental Note: \$56.50 overtime hours

Shift Wage Rate: \$75.42

Operating Engineer - Steel Erection IV

Compressors - Not Combined with Welding Machine.

Effective Period: 7/1/2017 - 6/30/2018

Wage Rate per Hour: \$44.91

Supplemental Benefit Rate per Hour: \$31.10

Supplemental Note: \$56.50 overtime hours

Shift Wage Rate: \$71.86

Operating Engineer - Building Work I

Forklifts, Plaster (Platform machine), Plaster Bucket, Concrete Pump and all other equipment used for hoisting material.

Effective Period: 7/1/2017 - 6/30/2018

Wage Rate per Hour: \$62.87

Supplemental Benefit Rate per Hour: \$31.10

Supplemental Note: \$56.50 overtime hours

Operating Engineer - Building Work II

Compressors, Welding Machines (Cutting Concrete-Tank Work), Paint Spraying, Sandblasting, Pumps (with the exclusion of Concrete Pumps), All Engines irrespective of Power (Power-Pac) used to drive Auxiliary Equipment, Air, Hydraulic, Jacking System, etc.

Effective Period: 7/1/2017 - 6/30/2018

Wage Rate per Hour: \$47.01

Supplemental Benefit Rate per Hour: \$31.10

Supplemental Note: \$56.50 overtime hours

Operating Engineer - Building Work III

Double Drum

Effective Period: 7/1/2017 - 6/30/2018

Wage Rate per Hour: \$71.60

Supplemental Benefit Rate per Hour: \$31.10

Supplemental Note: \$56.50 overtime hours

OFFICE OF THE COMPTROLLER, CITY OF NEW YORK
§220 PREVAILING WAGE SCHEDULE

Operating Engineer - Building Work IV

Stone Derrick, Cranes, Hydraulic Cranes Boom Trucks.

Effective Period: 7/1/2017 - 6/30/2018

Wage Rate per Hour: **\$75.87**

Supplemental Benefit Rate per Hour: **\$31.10**

Supplemental Note: \$56.50 overtime hours

Operating Engineer - Building Work V

Dismantling and Erection of Cranes, Relief Engineer.

Effective Period: 7/1/2017 - 6/30/2018

Wage Rate per Hour: **\$69.88**

Supplemental Benefit Rate per Hour: **\$31.10**

Supplemental Note: \$56.50 overtime hours

Operating Engineer - Building Work VI

4 Pole Hoist, Single Drum Hoists.

Effective Period: 7/1/2017 - 6/30/2018

Wage Rate per Hour: **\$69.14**

Supplemental Benefit Rate per Hour: **\$31.10**

Supplemental Note: \$56.50 overtime hours

Operating Engineer - Building Work VII

Rack & Pinion and House Cars

Effective Period: 7/1/2017 - 6/30/2018

Wage Rate per Hour: **\$54.92**

Supplemental Benefit Rate per Hour: **\$31.10**

Supplemental Note: \$56.50 overtime hours

For New House Car projects Wage Rate per Hour \$43.77

Overtime Description

On jobs of more than one shift, if an Employee fails to report for work through any cause over which the Employer has no control, the Employee on duty will continue to work at the rate of single time.

For House Cars and Rack & Pinion only: Overtime paid at time and one-half for all hours in excess of eight hours in a day, Saturday, Sunday and Holidays worked.

Overtime

Double time the regular rate after an 8 hour day.

Double time the regular time rate for Saturday.

Double time the regular rate for Sunday.

Double time the regular rate for work on the following holiday(s).

OFFICE OF THE COMPTROLLER, CITY OF NEW YORK
§220 PREVAILING WAGE SCHEDULE

Paid Holidays

New Year's Day
Lincoln's Birthday
President's Day
Memorial Day
Independence Day
Labor Day
Columbus Day
Veteran's Day
Thanksgiving Day
Day after Thanksgiving
Christmas Day

Employees must work at least one day in the payroll week in which the holiday occurs to receive the paid holiday

Shift Rates

For Steel Erection Only: Shifts may be worked at the single time rate at other than the regular working hours (8:00 A.M. to 4:30 P.M.) on the following work ONLY: Heavy construction jobs on work below the street level, over railroad tracks and on building jobs.

(Operating Engineer Local #14)

FLOOR COVERER

(Interior vinyl composition tile, sheath vinyl linoleum and wood parquet tile including site preparation and synthetic turf not including site preparation)

Floor Coverer

Effective Period: 7/1/2017 - 6/30/2018

Wage Rate per Hour: \$50.50

Supplemental Benefit Rate per Hour: \$45.88

Overtime

Time and one half the regular rate after an 8 hour day.

Time and one half the regular rate for Saturday.

Double time the regular rate for Sunday.

Overtime Holidays

Double time the regular rate for work on the following holiday(s).

New Year's Day
President's Day
Memorial Day
Independence Day
Labor Day
Columbus Day

OFFICE OF THE COMPTROLLER, CITY OF NEW YORK
§220 PREVAILING WAGE SCHEDULE

Presidential Election Day
Thanksgiving Day
Day after Thanksgiving
Christmas Day

Paid Holidays

1/2 day on Christmas Eve if work is performed in the A.M.
1/2 day on New Year's Eve if work is performed in the A.M.

Shift Rates

Two shifts may be utilized with the first shift working 8:00 A.M. to the end of the shift at the straight time of pay. The second shift will receive one hour at double time rate for the last hour of the shift. (eight for seven, nine for eight).

(Carpenters District Council)

GLAZIER (New Construction, Remodeling, and Alteration)

Glazier

Effective Period: 7/1/2017 - 6/30/2018
Wage Rate per Hour: **\$44.70**
Supplemental Benefit Rate per Hour: **\$40.99**
Supplemental Note: Supplemental Benefit Overtime Rate: **\$50.09**

Overtime Description

An optional 8th hour can be worked at straight time rate. If 9th hour is worked, then both hours or more (8th & 9th or more) will be at the double time rate of pay.

Overtime

Double time the regular rate after a 7 hour day.
Double time the regular time rate for Saturday.
Double time the regular rate for Sunday.

Overtime Holidays

Double time the regular rate for work on the following holiday(s).
New Year's Day
President's Day
Memorial Day
Independence Day
Labor Day
Thanksgiving Day
Day after Thanksgiving
Christmas Day

OFFICE OF THE COMPTROLLER, CITY OF NEW YORK
§220 PREVAILING WAGE SCHEDULE

Paid Holidays

None

Shift Rates

Shifts shall be any 7 hours beyond 4:00 P.M. for which the glazier shall receive 8 hours pay for 7 hours worked.

(Local #1281)

GLAZIER - REPAIR & MAINTENANCE

(For the Installation of Glass - All repair and maintenance work on a particular building, whenever performed, where the total cumulative contract value is under \$127,628. Except where enumerated (i.e. plate glass windows) does not apply to non-residential buildings.)

Craft Jurisdiction for repair, maintenance and fabrication

Plate glass replacement, Residential glass replacement, Residential mirrors and shower doors, Storm windows and storm doors, Residential replacement windows, Herculite door repairs, Door closer repairs, Retrofit apartment house (non commercial buildings), Glass tinting.

Effective Period: 7/1/2017 - 6/30/2018

Wage Rate per Hour: \$24.13

Supplemental Benefit Rate per Hour: \$21.12

Overtime

Time and one half the regular rate after an 8 hour day.

Double time the regular rate for Sunday.

Time and one half the regular hourly rate after 40 hours in any work week.

Paid Holidays

New Year's Day

President's Day

Memorial Day

Independence Day

Labor Day

Thanksgiving Day

Day after Thanksgiving

Christmas Day

(Local #1281)

HEAT AND FROST INSULATOR

Heat & Frost Insulator

Effective Period: 7/1/2017 - 6/30/2018

Wage Rate per Hour: **\$58.38**

Supplemental Benefit Rate per Hour: **\$39.46**

Overtime Description

Double time shall be paid for supplemental benefits during overtime work.

8th hour paid at time and one half.

Overtime

Double time the regular rate after an 8 hour day.

Double time the regular time rate for Saturday.

Double time the regular rate for Sunday.

Overtime Holidays

Double time the regular rate for work on the following holiday(s).

New Year's Day

Martin Luther King Jr. Day

President's Day

Memorial Day

Independence Day

Columbus Day

Veteran's Day

Thanksgiving Day

Day after Thanksgiving

Christmas Day

Triple time the regular rate for work on the following holiday(s).

Labor Day

Paid Holidays

None

Shift Rates

The first shift shall work seven hours at the regular straight time rate. The second and third shift shall work seven hours the regular straight time hourly rate plus a fourteen percent wage and benefit premium.

Off hour work in occupied or retail buildings may be worked on weekdays with an increment of \$1.00 per hour and eight hours pay for seven (7) hours worked. Double time will apply for over seven (7) hours worked on weekdays, weekends or holidays.

(Local #12) (BCA)

HOUSE WRECKER (TOTAL DEMOLITION)

House Wrecker - Tier A

On all work sites the first, second, eleventh and every third House Wrecker thereafter will be Tier A House Wreckers (i.e. 1st, 2nd, 11th, 14th etc). Other House Wreckers may be Tier B House Wreckers.

Effective Period: 7/1/2017 - 6/30/2018

Wage Rate per Hour: \$36.33

Supplemental Benefit Rate per Hour: \$29.22

House Wrecker - Tier B

Effective Period: 7/1/2017 - 6/30/2018

Wage Rate per Hour: \$25.56

Supplemental Benefit Rate per Hour: \$21.63

Overtime

Time and one half the regular rate after an 8 hour day.

Time and one half the regular rate for Saturday.

Double time the regular rate for Sunday.

Overtime Holidays

Double time the regular rate for work on the following holiday(s).

New Year's Day

President's Day

Memorial Day

Independence Day

Labor Day

Thanksgiving Day

Christmas Day

Paid Holidays

None

(Mason Tenders District Council)

IRON WORKER - ORNAMENTAL

Iron Worker - Ornamental

Effective Period: 7/1/2017 - 6/30/2018

OFFICE OF THE COMPTROLLER, CITY OF NEW YORK
§220 PREVAILING WAGE SCHEDULE

Wage Rate per Hour: **\$44.20**

Supplemental Benefit Rate per Hour: **\$51.57**

Supplemental Note: Supplemental benefits are to be paid at the applicable overtime rate when overtime is in effect.

Overtime Description

Time and one half the regular rate after a 7 hour day for a maximum of two hours on any regular work day (the 8th and 9th hour) and double time shall be paid for all work on a regular work day thereafter, time and one half the regular rate for Saturday for the first seven hours of work and double time shall be paid for all work on a Saturday thereafter.

Overtime

Double time the regular rate for Sunday.

Overtime Holidays

Double time the regular rate for work on the following holiday(s).

New Year's Day

President's Day

Memorial Day

Independence Day

Labor Day

Thanksgiving Day

Christmas Day

Paid Holidays

None

Shift Rates

For off shift work - 8 hours pay for 7 hours of work. When two or three shifts are employed on a job, Monday through Friday, the workday for each shift shall be seven hours and paid for ten and one-half hours at the single time rate. When two or three shifts are worked on Saturday, Sunday or holidays, each shift shall be seven hours and paid fifteen and three-quarters hours.

(Local #580)

IRON WORKER - STRUCTURAL

Iron Worker - Structural

Effective Period: 7/1/2017 - 6/30/2018

Wage Rate per Hour: **\$50.05**

Supplemental Benefit Rate per Hour: **\$72.53**

Supplemental Note: Supplemental benefits are to be paid at the applicable overtime rate when overtime is in effect.

Overtime Description

OFFICE OF THE COMPTROLLER, CITY OF NEW YORK
§220 PREVAILING WAGE SCHEDULE

Monday through Friday- the first eight hours are paid at straight time, the 9th and 10th hours are paid at time and one-half the regular rate, all additional weekday overtime is paid at double the regular rate. Saturdays- the first eight hours are paid at time and one-half the regular rate, double time thereafter. Sunday-all shifts are paid at double time.

Overtime

Time and one half the regular rate after an 8 hour day.

Time and one half the regular rate for Saturday.

Double time the regular rate for Sunday.

Overtime Holidays

Double time the regular rate for work on the following holiday(s).

New Year's Day

President's Day

Memorial Day

Independence Day

Labor Day

Thanksgiving Day

Christmas Day

Paid Holidays

1/2 day on Christmas Eve if work is performed in the A.M.

1/2 day on New Year's Eve if work is performed in the A.M.

Shift Rates

Monday through Friday - First Shift: First eight hours are paid at straight time, the 9th & 10th hours are paid at time and a half, double time paid thereafter. Second and third Shifts: First eight hours are paid at time and one-half, double time thereafter. Saturdays: All shifts, first eight hours paid at time and one-half, double time thereafter: Sunday all shifts are paid at double time.

(Local #40 & #361)

LABORER

(Foundation, Concrete, Excavating, Street Pipe Layer and Common)

Laborer

Excavation and foundation work for buildings, heavy construction, engineering work, and hazardous waste removal in connection with the above work. Landscaping tasks in connection with heavy construction work, engineering work and building projects. Projects include, but are not limited to pollution plants, sewers, parks, subways, bridges, highways, etc.

Effective Period: 7/1/2017 - 6/30/2018

Wage Rate per Hour: \$41.50

Supplemental Benefit Rate per Hour: \$40.63

OFFICE OF THE COMPTROLLER, CITY OF NEW YORK
§220 PREVAILING WAGE SCHEDULE

Overtime

Time and one half the regular rate after an 8 hour day.
Time and one half the regular rate for Saturday.
Double time the regular rate for Sunday.

Overtime Holidays

Double time the regular rate for work on the following holiday(s).

New Year's Day
Memorial Day
Independence Day
Labor Day
Columbus Day
Thanksgiving Day
Christmas Day

Paid Holidays

Labor Day
Thanksgiving Day

Shift Rates

When two shifts are employed, single time rate shall be paid for each shift. When three shifts are found necessary, each shift shall work seven and one half hours (7 ½), but shall be paid for eight (8) hours of labor, and be permitted one half hour for lunch.

(Local #731)

LANDSCAPING

(Landscaping tasks, as well as tree pruning, tree removing, spraying and maintenance in connection with the planting of street trees and the planting of trees in city parks but not when such activities are performed as part of, or in connection with, other construction or reconstruction projects.)

Landscaper (Above 6 years experience)

Effective Period: 7/1/2017 - 6/30/2018
Wage Rate per Hour: \$28.75
Supplemental Benefit Rate per Hour: \$15.55

Landscaper (3 - 6 years experience)

Effective Period: 7/1/2017 - 6/30/2018
Wage Rate per Hour: \$27.75
Supplemental Benefit Rate per Hour: \$15.55

OFFICE OF THE COMPTROLLER, CITY OF NEW YORK
§220 PREVAILING WAGE SCHEDULE

Landscaper (up to 3 years experience)

Effective Period: 7/1/2017 - 6/30/2018

Wage Rate per Hour: \$25.25

Supplemental Benefit Rate per Hour: \$15.55

Groundperson

Effective Period: 7/1/2017 - 6/30/2018

Wage Rate per Hour: \$25.25

Supplemental Benefit Rate per Hour: \$15.55

Tree Remover / Pruner

Effective Period: 7/1/2017 - 6/30/2018

Wage Rate per Hour: \$33.75

Supplemental Benefit Rate per Hour: \$15.55

Landscaper Sprayer (Pesticide Applicator)

Effective Period: 7/1/2017 - 6/30/2018

Wage Rate per Hour: \$23.75

Supplemental Benefit Rate per Hour: \$15.55

Watering - Plant Maintainer

Effective Period: 7/1/2017 - 6/30/2018

Wage Rate per Hour: \$18.72

Supplemental Benefit Rate per Hour: \$15.55

Overtime Description

For all overtime work performed, supplemental benefits shall include an additional seventy-five (\$0.75) cents per hour.

Overtime

Time and one half the regular rate after an 8 hour day.

Time and one half the regular rate for Saturday.

Double time the regular rate for Sunday.

Time and one half the regular rate for work on a holiday plus the day's pay.

Paid Holidays

New Year's Day

Memorial Day

Independence Day

Labor Day

Thanksgiving Day

Christmas Day

Shift Rates

OFFICE OF THE COMPTROLLER, CITY OF NEW YORK
§220 PREVAILING WAGE SCHEDULE

Work performed on a 4pm to 12am shift has a 15% differential. Work performed on a 12am to 8am shift has a 20% differential.

(Local #175)

MARBLE MECHANIC

Marble Setter

Effective Period: 7/1/2017 - 6/30/2018

Wage Rate per Hour: **\$52.74**

Supplemental Benefit Rate per Hour: **\$38.67**

Marble Finisher

Effective Period: 7/1/2017 - 6/30/2018

Wage Rate per Hour: **\$41.46**

Supplemental Benefit Rate per Hour: **\$36.64**

Marble Polisher

Effective Period: 7/1/2017 - 6/30/2018

Wage Rate per Hour: **\$37.93**

Supplemental Benefit Rate per Hour: **\$28.33**

Overtime Description

Supplemental Benefit contributions are to be made at the applicable overtime rates. Time and one half the regular rate after a 7 hour day or time and one half the regular rate after an 8 hour day - chosen by Employer at the start of the project and then would last for the full duration of the project.

Overtime

Time and one half the regular rate for Saturday.

Double time the regular rate for Sunday.

Overtime Holidays

Double time the regular rate for work on the following holiday(s).

New Year's Day

President's Day

Good Friday

Memorial Day

Independence Day

Labor Day

Columbus Day

Veteran's Day

Thanksgiving Day

Day after Thanksgiving

OFFICE OF THE COMPTROLLER, CITY OF NEW YORK
§220 PREVAILING WAGE SCHEDULE

Christmas Day

Paid Holidays

None

(Local #7)

MASON TENDER

Mason Tender

Effective Period: 7/1/2017 - 6/30/2018

Wage Rate per Hour: **\$37.90**

Supplemental Benefit Rate per Hour: **\$30.59**

Overtime

Time and one half the regular rate after an 8 hour day.

Time and one half the regular rate for Saturday.

Double time the regular rate for Sunday.

Saturday may be used as a make-up day at straight time when a day is lost during that week to inclement weather.

Overtime Holidays

Double time the regular rate for work on the following holiday(s).

New Year's Day

President's Day

Memorial Day

Independence Day

Labor Day

Thanksgiving Day

Christmas Day

Paid Holidays

None

Shift Rates

The Employer may work two (2) shifts with the first shift at the straight time wage rate and the second shift receiving eight (8) hours paid for seven (7) hours work at the straight time wage rate.

(Local #79)

MASON TENDER (INTERIOR DEMOLITION WORKER)

Mason Tender Tier A

Tier A Interior Demolition Worker performs all burning, chopping, and other technically skilled tasks related to interior demolition work.

Effective Period: 7/1/2017 - 6/30/2018

Wage Rate per Hour: **\$36.19**

Supplemental Benefit Rate per Hour: **\$24.25**

Mason Tender Tier B

Tier B Interior Demolition Worker performs manual work and work incidental to demolition work, such as loading and carting of debris from the work site to an area where it can be loaded in to bins/trucks for removal. Also performs clean-up of the site when demolition is completed.

Effective Period: 7/1/2017 - 6/30/2018

Wage Rate per Hour: **\$25.38**

Supplemental Benefit Rate per Hour: **\$18.57**

Overtime

Time and one half the regular rate after an 8 hour day.

Time and one half the regular rate for Sunday.

Overtime Holidays

Double time the regular rate for work on the following holiday(s).

New Year's Day

President's Day

Memorial Day

Independence Day

Labor Day

Thanksgiving Day

Christmas Day

Paid Holidays

None

(Local #79)

METALLIC LATHER

Metallic Lather

Effective Period: 7/1/2017 - 6/30/2018

OFFICE OF THE COMPTROLLER, CITY OF NEW YORK
§220 PREVAILING WAGE SCHEDULE

Wage Rate per Hour: **\$46.28**

Supplemental Benefit Rate per Hour: **\$42.92**

Supplemental Note: Supplemental benefits for overtime are paid at the appropriate overtime rate.

Overtime Description

Overtime would be time and one half the regular rate after a seven (7) or eight (8) hours workday, which would be set at the start of the job.

Overtime

Time and one half the regular rate for Saturday.

Double time the regular rate for Sunday.

Overtime Holidays

Double time the regular rate for work on the following holiday(s).

New Year's Day

Washington's Birthday

Memorial Day

Independence Day

Labor Day

Columbus Day

Thanksgiving Day

Christmas Day

Paid Holidays

1/2 day on Christmas Eve if work is performed in the A.M.

1/2 day on New Year's Eve if work is performed in the A.M.

Shift Rates

There will be no shift differential paid on the first shift if more than one shift is employed. The shift differential will remain \$12/hour on the second and third shift for the first eight (8) hours if worked. There will be no pyramiding on overtime worked on second and third shifts. The time and one half (1.5x) rate will be against the base wage rate, not the shift differential

(Local #46)

MILLWRIGHT

Millwright

Effective Period: 7/1/2017 - 6/30/2018

Wage Rate per Hour: **\$51.50**

Supplemental Benefit Rate per Hour: **\$52.41**

Overtime

Time and one half the regular rate after an 8 hour day.

Time and one half the regular rate for Saturday.

OFFICE OF THE COMPTROLLER, CITY OF NEW YORK
§220 PREVAILING WAGE SCHEDULE

Double time the regular rate for Sunday.
Saturday may be used as a make-up day at straight time when a day is lost during that week to inclement weather.

Overtime Holidays

Double time the regular rate for work on the following holiday(s).

New Year's Day
President's Day
Good Friday
Memorial Day
Independence Day
Labor Day
Columbus Day
Presidential Election Day
Thanksgiving Day
Christmas Day

Paid Holidays

1/2 day on Christmas Eve if work is performed in the A.M.
1/2 day on New Year's Eve if work is performed in the A.M.

Shift Rates

The first shift shall receive the straight time rate of pay. The second shift receives the straight time rate of pay plus fifteen (15%) per cent. Members of the second shift shall be allowed one half hour to eat, with this time being included in the hours of the workday established. There must be a first shift to work a second shift. All additional hours worked shall be paid at the time and one-half rate of pay plus fifteen (15%) per cent for weekday hours.

(Local #740)

MOSAIC MECHANIC

Mosaic Mechanic - Mosaic & Terrazzo Mechanic

Effective Period: 7/1/2017 - 6/30/2018

Wage Rate per Hour: \$46.86

Supplemental Benefit Rate per Hour: \$40.65

Supplemental Note: Supplemental benefits for overtime to be paid at the rate of \$51.67 per hour.

Mosaic Mechanic - Mosaic & Terrazzo Finisher

Effective Period: 7/1/2017 - 6/30/2018

Wage Rate per Hour: \$45.26

Supplemental Benefit Rate per Hour: \$40.63

Supplemental Note: Supplemental benefits for overtime to be paid at the rate of \$51.65 per hour.

OFFICE OF THE COMPTROLLER, CITY OF NEW YORK
§220 PREVAILING WAGE SCHEDULE

Mosaic Mechanic - Machine Operator Grinder

Effective Period: 7/1/2017 - 6/30/2018

Wage Rate per Hour: **\$45.26**

Supplemental Benefit Rate per Hour: **\$40.63**

Supplemental Note: Supplemental benefits for overtime to be paid at the rate of \$51.65 per hour.

Overtime

Time and one half the regular rate after a 7 hour day.

Time and one half the regular rate for Saturday.

Double time the regular rate for Sunday.

Overtime Holidays

Double time the regular rate for work on the following holiday(s).

New Year's Day

Washington's Birthday

Good Friday

Independence Day

Labor Day

Columbus Day

Veteran's Day

Thanksgiving Day

Day after Thanksgiving

Christmas Day

Paid Holidays

None

(Local #7)

PAINTER

Painter - Brush & Roller

Effective Period: 7/1/2017 - 6/30/2018

Wage Rate per Hour: **\$42.50**

Supplemental Benefit Rate per Hour: **\$28.62**

Supplemental Note: \$ 33.25 on overtime

Spray & Scaffold / Decorative / Sandblast

Effective Period: 7/1/2017 - 6/30/2018

Wage Rate per Hour: **\$45.50**

Supplemental Benefit Rate per Hour: **\$28.62**

Supplemental Note: \$ 33.25 on overtime

OFFICE OF THE COMPTROLLER, CITY OF NEW YORK
§220 PREVAILING WAGE SCHEDULE

Overtime

Time and one half the regular rate after a 7 hour day.
Time and one half the regular rate for Saturday.
Time and one half the regular rate for Sunday.

Overtime Holidays

Time and one half the regular rate for work on the following holiday(s).

New Year's Day
President's Day
Memorial Day
Independence Day
Labor Day
Columbus Day
Thanksgiving Day
Christmas Day

Paid Holidays

None

(District Council of Painters #9)

PAINTER - METAL POLISHER

METAL POLISHER

Effective Period: 7/1/2017 - 6/30/2018
Wage Rate per Hour: **\$29.73**
Supplemental Benefit Rate per Hour: **\$7.06**

METAL POLISHER - NEW CONSTRUCTION

Effective Period: 7/1/2017 - 6/30/2018
Wage Rate per Hour: **\$30.68**
Supplemental Benefit Rate per Hour: **\$7.06**

METAL POLISHER - SCAFFOLD OVER 34 FEET

Effective Period: 7/1/2017 - 6/30/2018
Wage Rate per Hour: **\$33.23**
Supplemental Benefit Rate per Hour: **\$7.06**

Overtime Description

All work performed on Saturdays shall be paid at time-in-a half. The exception being; for suspended scaffold work and work deemed as a construction project; an eight (8) hour shift lost during the week due to

OFFICE OF THE COMPTROLLER, CITY OF NEW YORK
§220 PREVAILING WAGE SCHEDULE

circumstances beyond the control of the employer, up to a maximum of eight (8) hours per week, may be worked on Saturday at the straight time rate.

Overtime

Time and one half the regular rate after an 8 hour day.

Time and one half the regular rate for Saturday.

Double time the regular rate for Sunday.

Saturday may be used as a make-up day at straight time when a day is lost during that week to inclement weather.

Triple time the regular rate for work on the following holiday(s).

Paid Holidays

New Year's Day

Martin Luther King Jr. Day

President's Day

Memorial Day

Independence Day

Labor Day

Columbus Day

Veteran's Day

Thanksgiving Day

Day after Thanksgiving

Christmas Day

Shift Rates

Four Days a week at Ten (10) hours straight a day.

Local 8A-28A

PAINTER - STRIPER

Striper (paint)

Effective Period: 7/1/2017 - 6/30/2018

Wage Rate per Hour: **\$35.00**

Supplemental Benefit Rate per Hour: **\$12.37**

Supplemental Note: Overtime Supplemental Benefit rate - \$8.02; New Hire Rate (0-3 months) - \$0.00

Lineperson (thermoplastic)

Effective Period: 7/1/2017 - 6/30/2018

Wage Rate per Hour: **\$39.00**

Supplemental Benefit Rate per Hour: **\$12.37**

Supplemental Note: Overtime Supplemental Benefit rate - \$8.02; New Hire Rate (0-3 months) - \$0.00

Overtime

OFFICE OF THE COMPTROLLER, CITY OF NEW YORK
§220 PREVAILING WAGE SCHEDULE

Time and one half the regular rate after an 8 hour day.
Time and one half the regular rate for Saturday.
Double time the regular rate for Sunday.
Time and one half the regular rate for work on the following holiday(s).

Paid Holidays

New Year's Day
Good Friday
Memorial Day
Independence Day
Labor Day
Columbus Day
Presidential Election Day
Thanksgiving Day
Day after Thanksgiving
Christmas Day

Shift Rates

Employees hired before April 1, 2003: 15% night shift premium differential for work commenced at 9:00 PM or later.

Vacation

Employees with one to two years service shall accrue vacation based on hours worked: 250 hours worked - 1 day vacation; 500 hours worked - 2 days vacation; 750 hours worked - 3 days vacation; 900 hours worked - 4 days vacation; 1,000 hours worked - 5 days vacation. Employees with two to five years service receive two weeks vacation. Employees with five to twenty years service receive three weeks vacation. Employees with twenty to twenty-five years service receive four weeks vacation. Employees with 25 or more years service receive five weeks vacation. Vacation must be taken during winter months. 2 Personal Days except employees hired after 4/1/12 who do not have 2 years of service.

(Local #917)

PAINTER - STRUCTURAL STEEL

Painters on Structural Steel

Effective Period: 7/1/2017 - 9/30/2017
Wage Rate per Hour: **\$49.50**
Supplemental Benefit Rate per Hour: **\$37.08**

Effective Period: 10/1/2017 - 6/30/2018
Wage Rate per Hour: **\$50.00**
Supplemental Benefit Rate per Hour: **\$38.33**

Painter - Power Tool

Effective Period: 7/1/2017 - 9/30/2017
Wage Rate per Hour: **\$55.50**

OFFICE OF THE COMPTROLLER, CITY OF NEW YORK
§220 PREVAILING WAGE SCHEDULE

Supplemental Benefit Rate per Hour: **\$37.08**

Overtime Wage Rate: \$6.00 above the "Painters on Structural Steel" overtime rate.

Effective Period: 10/1/2017 - 6/30/2018

Wage Rate per Hour: **\$56.00**

Supplemental Benefit Rate per Hour: **\$38.33**

Overtime Wage Rate: \$6.00 above the "Painters on Structural Steel" overtime rate.

Overtime Description

Supplemental Benefits shall be paid for each hour worked, up to forty (40) hours per week for the period of May 1st to November 15th or up to fifty (50) hours per week for the period of November 16th to April 30th.

Overtime

Time and one half the regular rate after a 7 hour day.

Time and one half the regular rate for Saturday.

Time and one half the regular rate for Sunday.

Overtime Holidays

Double time the regular rate for work on the following holiday(s).

New Year's Day

Memorial Day

Independence Day

Labor Day

Thanksgiving Day

Christmas Day

Paid Holidays

None

Shift Rates

Regular hourly rates plus a ten per cent (10%) differential

(Local #806)

PAPERHANGER

Paperhanger

Effective Period: 7/1/2017 - 6/30/2018

Wage Rate per Hour: **\$44.89**

Supplemental Benefit Rate per Hour: **\$31.13**

Supplemental Note: Supplemental benefits are to be paid at the appropriate straight time and overtime rate.

Overtime

Time and one half the regular rate after a 7 hour day.

Time and one half the regular rate for Saturday.

OFFICE OF THE COMPTROLLER, CITY OF NEW YORK
§220 PREVAILING WAGE SCHEDULE

Time and one half the regular rate for Sunday.

Overtime Holidays

Time and one half the regular rate for work on the following holiday(s).

New Year's Day
President's Day
Memorial Day
Independence Day
Labor Day
Thanksgiving Day
Day after Thanksgiving
Christmas Day

Paid Holidays

None

Shift Rates

Evening shift - 4:30 P.M. to 12:00 Midnight (regular rate of pay); any work performed before 7:00 A.M. shall be at time and one half the regular base rate of pay.

(District Council of Painters #9)

PAVER AND ROADBUILDER

Paver & Roadbuilder - Formsetter

Effective Period: 7/1/2017 - 6/30/2018

Wage Rate per Hour: **\$45.85**

Supplemental Benefit Rate per Hour: **\$40.98**

Paver & Roadbuilder - Laborer

Paving and road construction work, regardless of material used, including but not limited to preparation of job sites, removal of old surfaces, asphalt and/or concrete, by whatever method, including but not limited to milling; laying of concrete; laying of asphalt for temporary, patchwork, and utility paving (but not production paving); site preparation and incidental work before the installation of rubberized materials and similar surfaces; installation and repair of temporary construction fencing; slurry seal coating, maintenance of safety surfaces; play equipment installation, and other related work.

Effective Period: 7/1/2017 - 6/30/2018

Wage Rate per Hour: **\$41.98**

Supplemental Benefit Rate per Hour: **\$40.98**

Production Paver & Roadbuilder - Screed Person

OFFICE OF THE COMPTROLLER, CITY OF NEW YORK
§220 PREVAILING WAGE SCHEDULE

(Production paving is asphalt paving when using a paving machine or on a project where a paving machine is traditionally used)

Adjustment of paving machinery on production paving jobs.

Effective Period: 7/1/2017 - 6/30/2018

Wage Rate per Hour: \$46.45

Supplemental Benefit Rate per Hour: \$40.98

Production Paver & Roadbuilder - Raker

Effective Period: 7/1/2017 - 6/30/2018

Wage Rate per Hour: \$45.85

Supplemental Benefit Rate per Hour: \$40.98

Production Paver & Roadbuilder - Shoveler

General laborer (except removal of surfaces - see Paver and Roadbuilder-Laborer) including but not limited to tamper, AC paint and liquid tar work.

Effective Period: 7/1/2017 - 6/30/2018

Wage Rate per Hour: \$42.37

Supplemental Benefit Rate per Hour: \$40.98

Overtime Description

If an employee works New Year's Day or Christmas Day, they receive the single time rate plus 25%.

Overtime

Time and one half the regular rate after an 8 hour day.

Time and one half the regular rate for Saturday.

Double time the regular rate for Sunday.

Overtime Holidays

Double time the regular rate for work on the following holiday(s).

Memorial Day

Independence Day

Labor Day

Columbus Day

Thanksgiving Day

Shift Rates

When two shifts are employed, the work period for each shift shall be a continuous eight (8) hours. When three shifts are employed, each shift will work seven and one half (7 ½) hours but will be paid for eight (8) hours since only one half (1/2) hour is allowed for meal time.

When two or more shifts are employed, single time will be paid for each shift.

Night Work - On night work, the first eight (8) hours of work will be paid for at the single time rate, except that production paving work shall be paid at 10% over the single time rate for the screed person, rakers and shovelers directly involved only. This differential is to be paid when there is only one shift and the shift works at night. All other workers will be exempt. Hours worked over eight (8) hours during said shift shall be paid for at the time and one-half rate.

OFFICE OF THE COMPTROLLER, CITY OF NEW YORK
§220 PREVAILING WAGE SCHEDULE

(Local #1010)

PLASTERER

Plasterer

Effective Period: 7/1/2017 - 6/30/2018

Wage Rate per Hour: **\$44.93**

Supplemental Benefit Rate per Hour: **\$25.15**

Overtime

Time and one half the regular rate after an 8 hour day.

Time and one half the regular rate for Saturday.

Double time the regular rate for Sunday.

Saturday may be used as a make-up day at straight time when a day is lost during that week to inclement weather.

Overtime Holidays

Double time the regular rate for work on the following holiday(s).

New Year's Day

President's Day

Memorial Day

Independence Day

Labor Day

Thanksgiving Day

Christmas Day

Paid Holidays

None

Shift Rates

When it is not possible to conduct alteration work during regular work hours, in a building occupied by tenants, said work shall proceed on a shift basis: however work over seven (7) hours in any twenty four (24) hour period, the time after seven (7) hours shall be considered overtime.

The second shift shall start at a time between 3:30 p.m. and 7:00 p.m. and shall consist of seven (7) working hours and shall receive eight (8) hours of wages and benefits at the straight time rate. The workers on the second shift shall be allowed one-half (½) hour to eat with this time being included in the seven (7) hours of work.

(Local #262)

PLASTERER - TENDER

Plasterer - Tender

Effective Period: 7/1/2017 - 6/30/2018

Wage Rate per Hour: **\$37.90**

Supplemental Benefit Rate per Hour: **\$30.59**

Overtime

Time and one half the regular rate after an 8 hour day.

Time and one half the regular rate for Saturday.

Double time the regular rate for Sunday.

Saturday may be used as a make-up day at straight time when a day is lost during that week to inclement weather.

Overtime Holidays

Double time the regular rate for work on the following holiday(s).

New Year's Day

Washington's Birthday

Memorial Day

Independence Day

Labor Day

Presidential Election Day

Thanksgiving Day

Christmas Day

Paid Holidays

None

Shift Rates

When work commences outside regular work hours, workers receive an hour additional (differential) wage and supplement payment. Eight hours pay for seven hours work or nine hours pay for eight hours work.

(Mason Tenders District Council)

PLUMBER

Plumber

Effective Period: 7/1/2017 - 6/30/2018

Wage Rate per Hour: **\$67.25**

Supplemental Benefit Rate per Hour: **\$31.80**

Supplemental Note: Supplemental benefit contributions are to be made at the applicable overtime rates.

Plumber - Temporary Services

OFFICE OF THE COMPTROLLER, CITY OF NEW YORK
§220 PREVAILING WAGE SCHEDULE

Temporary Services - When there are no Plumbers on the job site, there may be three shifts designed to cover the entire twenty-four hour period, including weekends if necessary, at the following rate straight time.

Effective Period: 7/1/2017 - 6/30/2018

Wage Rate per Hour: \$53.88

Supplemental Benefit Rate per Hour: \$25.36

Overtime Description

Double time the regular rate after a 7 hour day - unless for new construction site work where the plumbing contract price is \$1.5 million or less, the hours of labor can be 8 hours per day at the employers option. On Alteration jobs when other mechanical trades at the site are working an eighth hour at straight time, then the plumber shall also work an eighth hour at straight time.

Overtime

Double time the regular time rate for Saturday.

Double time the regular rate for Sunday.

Overtime Holidays

Double time the regular rate for work on the following holiday(s).

New Year's Day

President's Day

Memorial Day

Independence Day

Labor Day

Columbus Day

Veteran's Day

Thanksgiving Day

Day after Thanksgiving

Christmas Day

Shift Rates

Shift work, when directly specified in public agency or authority documents where plumbing contract is \$8 million or less, will be permitted. 30% shift premium shall be paid for wages and fringe benefits for 4:00 pm and midnight shifts Monday to Friday. 50% shift premium shall be paid for wages and fringe benefits for 4:00 pm and midnight shift work performed on weekends. For shift work on holidays, double time wages and fringe benefits shall be paid.

(Plumbers Local #1)

PLUMBER (MECHANICAL EQUIPMENT AND SERVICE)
(Mechanical Equipment and Service work shall include any repair and/or replacement of the present plumbing system.)

Plumber

OFFICE OF THE COMPTROLLER, CITY OF NEW YORK
§220 PREVAILING WAGE SCHEDULE

Effective Period: 7/1/2017 - 6/30/2018

Wage Rate per Hour: \$41.20

Supplemental Benefit Rate per Hour: \$15.41

Overtime

Time and one half the regular rate after an 8 hour day.

Time and one half the regular rate for Saturday.

Time and one half the regular rate for Sunday.

Overtime Holidays

Time and one half the regular rate for work on the following holiday(s).

New Year's Day

President's Day

Memorial Day

Independence Day

Thanksgiving Day

Day after Thanksgiving

Christmas Day

Paid Holidays

None

(Plumbers Local # 1)

**PLUMBER (RESIDENTIAL RATES FOR 1, 2 AND 3 FAMILY HOME
CONSTRUCTION)**

Effective Period: 7/1/2017 - 6/30/2018

Wage Rate per Hour: \$46.66

Supplemental Benefit Rate per Hour: \$22.95

Overtime

Double time the regular rate after an 8 hour day.

Double time the regular time rate for Saturday.

Double time the regular rate for Sunday.

Overtime Holidays

Double time the regular rate for work on the following holiday(s).

New Year's Day

President's Day

Memorial Day

Independence Day

Labor Day

Columbus Day

Veteran's Day

OFFICE OF THE COMPTROLLER, CITY OF NEW YORK
§220 PREVAILING WAGE SCHEDULE

Thanksgiving Day
Day after Thanksgiving
Christmas Day

Paid Holidays

None

Shift Rates

30% shift premium shall be paid for wages and fringe benefits for 4:00 pm and midnight shifts Monday to Friday.
50% shift premium shall be paid for wages and fringe benefits for 4:00 pm and midnight shift work performed on weekends. For shift work on holidays, double time wages and fringe benefits shall be paid.

(Plumbers Local #1)

PLUMBER: PUMP & TANK

Oil Trades (Installation and Maintenance)

Plumber - Pump & Tank

Effective Period: 7/1/2017 - 6/30/2018

Wage Rate per Hour: \$64.22

Supplemental Benefit Rate per Hour: \$23.21

Overtime

Time and one half the regular rate after an 8 hour day.

Time and one half the regular rate for Saturday.

Time and one half the regular rate for Sunday.

Overtime Holidays

Time and one half the regular rate for work on the following holiday(s).

New Year's Day

President's Day

Memorial Day

Independence Day

Labor Day

Columbus Day

Veteran's Day

Thanksgiving Day

Day after Thanksgiving

Christmas Day

Paid Holidays

None

Shift Rates

OFFICE OF THE COMPTROLLER, CITY OF NEW YORK
§220 PREVAILING WAGE SCHEDULE

All work outside the regular workday (8:00 A.M. to 3:30 P.M.) is to be paid at time and one half the regular hourly rate

(Plumbers Local #1)

**POINTER, WATERPROOFER, CAULKER, SANDBLASTER,
STEAMBLASTER
(Exterior Building Renovation)**

Journey person

Effective Period: 7/1/2017 - 6/30/2018

Wage Rate per Hour: **\$52.57**

Supplemental Benefit Rate per Hour: **\$25.80**

Overtime

Time and one half the regular rate after an 8 hour day.

Time and one half the regular rate for Saturday.

Time and one half the regular rate for Sunday.

Saturday may be used as a make-up day at straight time when a day is lost during that week to inclement weather.

Overtime Holidays

Time and one half the regular rate for work on the following holiday(s).

New Year's Day

Martin Luther King Jr. Day

President's Day

Memorial Day

Independence Day

Labor Day

Thanksgiving Day

Christmas Day

Paid Holidays

None

Shift Rates

All work outside the regular work day (an eight hour workday between the hours of 6:00 A.M. and 4:30 P.M.) is to be paid at time and one half the regular rate.

(Bricklayer District Council)

OFFICE OF THE COMPTROLLER, CITY OF NEW YORK
§220 PREVAILING WAGE SCHEDULE

ROOFER

Roofer

Effective Period: 7/1/2017 - 6/30/2018

Wage Rate per Hour: **\$41.50**

Supplemental Benefit Rate per Hour: **\$32.27**

Overtime

Time and one half the regular rate after an 8 hour day.

Time and one half the regular rate for Saturday.

Time and one half the regular rate for Sunday.

Overtime Holidays

Time and one half the regular rate for work on the following holiday(s).

New Year's Day

Memorial Day

Independence Day

Labor Day

Thanksgiving Day

Christmas Day

Paid Holidays

None

Shift Rates

Second shift - Regular hourly rate plus a 10% differential. Third shift - Regular hourly rate plus a 15% differential.

(Local #8)

SHEET METAL WORKER

Sheet Metal Worker

Effective Period: 7/1/2017 - 6/30/2018

Wage Rate per Hour: **\$48.90**

Supplemental Benefit Rate per Hour: **\$48.00**

Supplemental Note: Supplemental benefit contributions are to be made at the applicable overtime rates.

Sheet Metal Worker - Fan Maintenance

(The temporary operation of fans or blowers in new or existing buildings for heating and/or ventilation, and/or air conditioning prior to the completion of the project.)

OFFICE OF THE COMPTROLLER, CITY OF NEW YORK
§220 PREVAILING WAGE SCHEDULE

Effective Period: 7/1/2017 - 6/30/2018

Wage Rate per Hour: **\$39.12**

Supplemental Benefit Rate per Hour: **\$48.00**

Sheet Metal Worker - Duct Cleaner

Effective Period: 7/1/2017 - 6/30/2018

Wage Rate per Hour: **\$12.90**

Supplemental Benefit Rate per Hour: **\$8.07**

Overtime

Time and one half the regular rate after an 8 hour day.

Time and one half the regular rate for Saturday.

Double time the regular rate for Sunday.

Overtime Holidays

Double time the regular rate for work on the following holiday(s).

New Year's Day

Martin Luther King Jr. Day

President's Day

Memorial Day

Independence Day

Labor Day

Columbus Day

Veteran's Day

Thanksgiving Day

Day after Thanksgiving

Christmas Day

Paid Holidays

None

Shift Rates

Work that can only be performed outside regular working hours (eight hours of work between 7:30 A.M. and 3:30 P.M.) - First shift (work between 3:30 P.M. and 11:30 P.M.) - 10% differential above the established hourly rate.

Second shift (work between 11:30 P.M. and 7:30 A.M.) - 15% differential above the established hourly rate.

For Fan Maintenance: On all full shifts of fan maintenance work the straight time hourly rate of pay will be paid for each shift, including nights, Saturdays, Sundays, and holidays.

(Local #28)

**SHEET METAL WORKER - SPECIALTY
(Decking & Siding)**

OFFICE OF THE COMPTROLLER, CITY OF NEW YORK
§220 PREVAILING WAGE SCHEDULE

Sheet Metal Specialty Worker

The first worker to perform this work must be paid at the rate of the Sheet Metal Worker. The second and third workers shall be paid the Specialty Worker Rate. The ratio of One Sheet Metal Worker, then Two Specialty Workers shall be utilized thereafter.

Effective Period: 7/1/2017 - 6/30/2018

Wage Rate per Hour: **\$44.57**

Supplemental Benefit Rate per Hour: **\$25.02**

Supplemental Note: Supplemental benefit contributions are to be made at the applicable overtime rates.

Overtime

Time and one half the regular rate after an 8 hour day.

Time and one half the regular rate for Saturday.

Double time the regular rate for Sunday.

Overtime Holidays

Double time the regular rate for work on the following holiday(s).

New Year's Day

Martin Luther King Jr. Day

President's Day

Memorial Day

Independence Day

Labor Day

Columbus Day

Veteran's Day

Thanksgiving Day

Christmas Day

Paid Holidays

None

(Local #28)

SHIPYARD WORKER

Shipyard Mechanic - First Class

Effective Period: 7/1/2017 - 6/30/2018

Wage Rate per Hour: **\$28.12**

Supplemental Benefit Rate per Hour: **\$3.03**

Shipyard Mechanic - Second Class

Effective Period: 7/1/2017 - 6/30/2018

OFFICE OF THE COMPTROLLER, CITY OF NEW YORK
§220 PREVAILING WAGE SCHEDULE

Wage Rate per Hour: **\$23.35**
Supplemental Benefit Rate per Hour: **\$2.85**

Shipyard Laborer - First Class

Effective Period: 7/1/2017 - 6/30/2018
Wage Rate per Hour: **\$20.96**
Supplemental Benefit Rate per Hour: **\$2.76**

Shipyard Laborer - Second Class

Effective Period: 7/1/2017 - 6/30/2018
Wage Rate per Hour: **\$15.24**
Supplemental Benefit Rate per Hour: **\$2.54**

Shipyard Dockhand - First Class

Effective Period: 7/1/2017 - 6/30/2018
Wage Rate per Hour: **\$22.89**
Supplemental Benefit Rate per Hour: **\$2.83**

Shipyard Dockhand - Second Class

Effective Period: 7/1/2017 - 6/30/2018
Wage Rate per Hour: **\$16.51**
Supplemental Benefit Rate per Hour: **\$2.58**

Overtime Description

Work performed on holiday is paid double time the regular hourly wage rate plus holiday pay.

Overtime

Time and one half the regular rate after an 8 hour day.
Time and one half the regular rate for Saturday.
Double time the regular rate for Sunday.
Time and one half the regular hourly rate after 40 hours in any work week.

Paid Holidays

New Year's Day
Martin Luther King Jr. Day
President's Day
Good Friday
Memorial Day
Independence Day
Labor Day
Thanksgiving Day
Day after Thanksgiving
Christmas Day

Based on Survey Data

OFFICE OF THE COMPTROLLER, CITY OF NEW YORK
§220 PREVAILING WAGE SCHEDULE

SIGN ERECTOR
(Sheet Metal, Plastic, Electric, and Neon)

Sign Erector

Effective Period: 7/1/2017 - 6/30/2018

Wage Rate per Hour: **\$47.67**

Supplemental Benefit Rate per Hour: **\$50.67**

Overtime

Time and one half the regular rate after a 7 hour day.

Time and one half the regular rate for Saturday.

Time and one half the regular rate for Sunday.

Time and one half the regular rate for work on the following holiday(s).

Paid Holidays

New Year's Day

Washington's Birthday

Memorial Day

Independence Day

Labor Day

Columbus Day

Election Day

Thanksgiving Day

Day after Thanksgiving

Christmas Day

Shift Rates

Time and one half the regular hourly rate is to be paid for all hours worked outside the regular workday either (7:00 A.M. through 2:30 P.M.) or (8:00 A.M. through 3:30 P.M.)

(Local #137)

STEAMFITTER

Steamfitter I

Effective Period: 7/1/2017 - 6/30/2018

Wage Rate per Hour: **\$55.50**

Supplemental Benefit Rate per Hour: **\$55.29**

OFFICE OF THE COMPTROLLER, CITY OF NEW YORK
§220 PREVAILING WAGE SCHEDULE

Supplemental Note: Overtime supplemental benefit rate: \$109.84

Steamfitter -Temporary Services

The steamfitters shall not do any other work and shall not be permitted to work more than one shift in a twenty-four hour day. When steamfitters are present during the regular working day, no temporary services steamfitter will be required

Effective Period: 7/1/2017 - 6/30/2018

Wage Rate per Hour: **\$42.18**

Supplemental Benefit Rate per Hour: **\$44.84**

Overtime

Double time the regular rate after a 7 hour day.

Double time the regular time rate for Saturday.

Double time the regular rate for Sunday.

Overtime Holidays

Double time the regular rate for work on the following holiday(s).

New Year's Day

President's Day

Memorial Day

Independence Day

Labor Day

Columbus Day

Veteran's Day

Thanksgiving Day

Day after Thanksgiving

Christmas Day

Paid Holidays

None

Shift Rates

Work performed between 3:30 P.M. and 7:00 A.M. and on Saturdays, Sundays and Holidays shall be at double time the regular hourly rate and paid at the overtime supplemental benefit rate above.

Steamfitter II

For heating, ventilation, air conditioning and mechanical public works contracts with a dollar value not to exceed \$15,000,000 and for fire protection/sprinkler public works contracts not to exceed \$1,500,000.

Effective Period: 7/1/2017 - 6/30/2018

Wage Rate per Hour: **\$55.50**

Supplemental Benefit Rate per Hour: **\$55.29**

Supplemental Note: Overtime supplemental benefit rate: \$109.84

Steamfitter -Temporary Services

OFFICE OF THE COMPTROLLER, CITY OF NEW YORK
§220 PREVAILING WAGE SCHEDULE

The steamfitters shall not do any other work and shall not be permitted to work more than one shift in a twenty-four hour day. When steamfitters are present during the regular working day, no temporary services steamfitter will be required.

Effective Period: 7/1/2017 - 6/30/2018

Wage Rate per Hour: \$42.18

Supplemental Benefit Rate per Hour: \$44.84

Overtime

Double time the regular rate after an 8 hour day.

Double time the regular time rate for Saturday.

Double time the regular rate for Sunday.

Overtime Holidays

Double time the regular rate for work on the following holiday(s).

New Year's Day

President's Day

Memorial Day

Independence Day

Labor Day

Columbus Day

Veteran's Day

Thanksgiving Day

Day after Thanksgiving

Christmas Day

Paid Holidays

None

Shift Rates

May be performed outside of the regular workday except Saturday, Sunday and Holidays. A shift shall consist of eight working hours. All work performed in excess of eight hours shall be paid at double time. No shift shall commence after 7:00 P.M. on Friday or 7:00 P.M. the day before holidays. All work performed after 12:01 A.M. Saturday or 12:01 A.M. the day before a Holiday will be paid at double time. When shift work is performed the wage rate for regular time worked is a thirty percent premium together with fringe benefits.

On Transit Authority projects, where work is performed in the vicinity of tracks all shift work on weekends and holidays may be performed at the regular shift rates.

Local #638

STEAMFITTER - REFRIGERATION AND AIR CONDITIONER (Maintenance and Installation Service Person)

Refrigeration and Air Conditioner Mechanic

OFFICE OF THE COMPTROLLER, CITY OF NEW YORK
§220 PREVAILING WAGE SCHEDULE

Effective Period: 7/1/2017 - 6/30/2018
Wage Rate per Hour: **\$39.50**
Supplemental Benefit Rate per Hour: **\$15.81**

Refrigeration and Air Conditioner Service Person V

Effective Period: 7/1/2017 - 6/30/2018
Wage Rate per Hour: **\$32.46**
Supplemental Benefit Rate per Hour: **\$14.16**

Refrigeration and Air Conditioner Service Person IV

Effective Period: 7/1/2017 - 6/30/2018
Wage Rate per Hour: **\$26.89**
Supplemental Benefit Rate per Hour: **\$12.80**

Refrigeration and Air Conditioner Service Person III

Filter changing and maintenance thereof, oil and greasing, tower and coil cleaning, scraping and painting, general housekeeping, taking of water samples.

Effective Period: 7/1/2017 - 6/30/2018
Wage Rate per Hour: **\$23.08**
Supplemental Benefit Rate per Hour: **\$11.79**

Refrigeration and Air Conditioner Service Person II

Filter changing and maintenance thereof, oil and greasing, tower and coil cleaning, scraping and painting, general housekeeping, taking of water samples.

Effective Period: 7/1/2017 - 6/30/2018
Wage Rate per Hour: **\$19.14**
Supplemental Benefit Rate per Hour: **\$10.85**

Refrigeration and Air Conditioner Service Person I

Filter changing and maintenance thereof, oil and greasing, tower and coil cleaning, scraping and painting, general housekeeping, taking of water samples.

Effective Period: 7/1/2017 - 6/30/2018
Wage Rate per Hour: **\$14.00**
Supplemental Benefit Rate per Hour: **\$9.76**

Overtime

Time and one half the regular rate after an 8 hour day.
Time and one half the regular rate for Saturday.
Double time the regular rate for Sunday.

OFFICE OF THE COMPTROLLER, CITY OF NEW YORK
§220 PREVAILING WAGE SCHEDULE

Overtime Holidays

Double time the regular rate for work on the following holiday(s).

New Year's Day
Independence Day
Labor Day
Veteran's Day
Thanksgiving Day
Christmas Day

Double time and one half the regular rate for work on the following holiday(s).

Martin Luther King Jr. Day
President's Day
Memorial Day
Columbus Day

Paid Holidays

New Year's Day
Martin Luther King Jr. Day
President's Day
Memorial Day
Independence Day
Labor Day
Columbus Day
Veteran's Day
Thanksgiving Day
Christmas Day

(Local #638B)

STONE MASON - SETTER

Stone Mason - Setter

Effective Period: 7/1/2017 - 6/30/2018

Wage Rate per Hour: \$53.62

Supplemental Benefit Rate per Hour: \$41.65

Overtime

Time and one half the regular rate after a 7 hour day.

Time and one half the regular rate for Saturday.

Double time the regular rate for Sunday.

Overtime Holidays

Double time the regular rate for work on the following holiday(s).

New Year's Day
Washington's Birthday
Good Friday

OFFICE OF THE COMPTROLLER, CITY OF NEW YORK
§220 PREVAILING WAGE SCHEDULE

Memorial Day
Independence Day
Labor Day
Thanksgiving Day
Christmas Day

Paid Holidays

1/2 day on Christmas Eve if work is performed in the A.M.

Shift Rates

For all work outside the regular workday (8:00 A.M. to 3:30 P.M. Monday through Friday), the pay shall be straight time plus a ten percent (10%) differential.

(Bricklayers District Council)

TAPER

Drywall Taper

Effective Period: 7/1/2017 - 6/30/2018

Wage Rate per Hour: **\$47.82**

Supplemental Benefit Rate per Hour: **\$22.68**

Overtime

Time and one half the regular rate after a 7 hour day.

Time and one half the regular rate for Saturday.

Time and one half the regular rate for Sunday.

Overtime Holidays

Time and one half the regular rate for work on the following holiday(s).

New Year's Day
Martin Luther King Jr. Day
President's Day
Good Friday
Memorial Day
Independence Day
Labor Day
Columbus Day
Thanksgiving Day
Christmas Day

Paid Holidays

Any worker who reports to work on Christmas Eve or New Year's Eve pursuant to his employer's instruction shall be entitled to three (3) hours afternoon pay without working.

(Local #1974)

TELECOMMUNICATION WORKER (Voice Installation Only)

Telecommunication Worker

Effective Period: 7/1/2017 - 6/30/2018

Wage Rate per Hour: **\$40.35**

Supplemental Benefit Rate per Hour: **\$13.19**

Supplemental Note: The above rate applies for Manhattan, Bronx, Brooklyn, Queens. \$12.64 for Staten Island only.

Overtime

Time and one half the regular rate after a 7 hour day.

Time and one half the regular rate for Saturday.

Time and one half the regular rate for Sunday.

Overtime Holidays

Time and one half the regular rate for work on the following holiday(s).

New Year's Day

Lincoln's Birthday

Washington's Birthday

Memorial Day

Independence Day

Labor Day

Columbus Day

Election Day

Veteran's Day

Thanksgiving Day

Christmas Day

Paid Holidays

New Year's Day

Lincoln's Birthday

Washington's Birthday

Memorial Day

Independence Day

Labor Day

Columbus Day

Election Day

Veteran's Day

Thanksgiving Day

Christmas Day

Employees have the option of observing either Martin Luther King's Birthday or the day after Thanksgiving instead of Lincoln's Birthday

Shift Rates

OFFICE OF THE COMPTROLLER, CITY OF NEW YORK
§220 PREVAILING WAGE SCHEDULE

For any workday that starts before 8A.M. or ends after 6P.M. there is a 10% differential for the applicable worker's hourly rate.

Vacation

After 6 months.....one week.
After 12 months but less than 7 years.....two weeks.
After 7 or more but less than 15 years.....three weeks.
After 15 years or more but less than 25 years.....four weeks.

(C.W.A.)

TILE FINISHER

Tile Finisher

Effective Period: 7/1/2017 - 6/30/2018
Wage Rate per Hour: **\$41.13**
Supplemental Benefit Rate per Hour: **\$31.18**

Overtime

Time and one half the regular rate after a 7 hour day.
Time and one half the regular rate for Saturday.
Double time the regular rate for Sunday.

Overtime Holidays

Double time the regular rate for work on the following holiday(s).

- New Year's Day
- President's Day
- Good Friday
- Memorial Day
- Independence Day
- Labor Day
- Columbus Day
- Veteran's Day
- Thanksgiving Day
- Day after Thanksgiving
- Christmas Day

Paid Holidays

None

Shift Rates

Off shift work day (work performed outside the regular 8:00 A.M. to 3:30 P.M. workday): shift differential of one and one quarter (1¼) times the regular straight time rate of pay for the seven hours of actual off-shift work.

(Local #7)

OFFICE OF THE COMPTROLLER, CITY OF NEW YORK
§220 PREVAILING WAGE SCHEDULE

TILE LAYER - SETTER

Tile Layer - Setter

Effective Period: 7/1/2017 - 6/30/2018

Wage Rate per Hour: **\$53.19**

Supplemental Benefit Rate per Hour: **\$35.35**

Overtime

Time and one half the regular rate after a 7 hour day.

Time and one half the regular rate for Saturday.

Double time the regular rate for Sunday.

Overtime Holidays

Double time the regular rate for work on the following holiday(s).

New Year's Day

President's Day

Good Friday

Memorial Day

Independence Day

Labor Day

Columbus Day

Veteran's Day

Thanksgiving Day

Day after Thanksgiving

Christmas Day

Shift Rates

Off shift work day (work performed outside the regular 8:00 A.M. to 3:30 P.M. workday): shift differential of one and one quarter (1¼) times the regular straight time rate of pay for the seven hours of actual off-shift work.

(Local #7)

TIMBERPERSON

Timberperson

Effective Period: 7/1/2017 - 6/30/2018

Wage Rate per Hour: **\$48.00**

Supplemental Benefit Rate per Hour: **\$49.16**

OFFICE OF THE COMPTROLLER, CITY OF NEW YORK
§220 PREVAILING WAGE SCHEDULE

Overtime

Time and one half the regular rate after an 8 hour day.

Time and one half the regular rate for Saturday.

Double time the regular rate for Sunday.

Saturday may be used as a make-up day at straight time when a day is lost during that week to inclement weather.

Time and one half the regular hourly rate after 40 hours in any work week.

Overtime Holidays

Double time the regular rate for work on the following holiday(s).

New Year's Day

President's Day

Memorial Day

Independence Day

Labor Day

Columbus Day

Presidential Election Day

Thanksgiving Day

Christmas Day

Paid Holidays

None

Shift Rates

Off shift work commencing between 5:00 P.M. and 11:00 P.M. shall work eight and one half hours allowing for one half hour for lunch. The wage rate shall be 113% of the straight time hourly wage rate.

(Local #1536)

TUNNEL WORKER

Blasters, Mucking Machine Operators (Compressed Air Rates)

Effective Period: 7/1/2017 - 6/30/2018

Wage Rate per Hour: \$62.37

Supplemental Benefit Rate per Hour: \$52.39

Tunnel Workers (Compressed Air Rates)

Effective Period: 7/1/2017 - 6/30/2018

Wage Rate per Hour: \$60.21

Supplemental Benefit Rate per Hour: \$50.65

Top Nipper (Compressed Air Rates)

Effective Period: 7/1/2017 - 6/30/2018

OFFICE OF THE COMPTROLLER, CITY OF NEW YORK
§220 PREVAILING WAGE SCHEDULE

Wage Rate per Hour: \$59.11
Supplemental Benefit Rate per Hour: \$49.74

Outside Lock Tender, Outside Gauge Tender, Muck Lock Tender (Compressed Air Rates)

Effective Period: 7/1/2017 - 6/30/2018
Wage Rate per Hour: \$58.04
Supplemental Benefit Rate per Hour: \$48.81

Bottom Bell & Top Bell Signal Person: Shaft Person (Compressed Air Rates)

Effective Period: 7/1/2017 - 6/30/2018
Wage Rate per Hour: \$58.04
Supplemental Benefit Rate per Hour: \$48.81

Changehouse Attendant: Powder Watchperson (Compressed Air Rates)

Effective Period: 7/1/2017 - 6/30/2018
Wage Rate per Hour: \$50.87
Supplemental Benefit Rate per Hour: \$46.11

Blasters (Free Air Rates)

Effective Period: 7/1/2017 - 6/30/2018
Wage Rate per Hour: \$59.52
Supplemental Benefit Rate per Hour: \$50.03

Tunnel Workers (Free Air Rates)

Effective Period: 7/1/2017 - 6/30/2018
Wage Rate per Hour: \$56.97
Supplemental Benefit Rate per Hour: \$47.89

All Others (Free Air Rates)

Effective Period: 7/1/2017 - 6/30/2018
Wage Rate per Hour: \$52.63
Supplemental Benefit Rate per Hour: \$44.29

Microtunneling (Free Air Rates)

Effective Period: 7/1/2017 - 6/30/2018
Wage Rate per Hour: \$45.58
Supplemental Benefit Rate per Hour: \$38.31

Overtime Description

OFFICE OF THE COMPTROLLER, CITY OF NEW YORK
§220 PREVAILING WAGE SCHEDULE

For Repair-Maintenance Work on Existing Equipment and Facilities - Time and one half the regular rate after a 7 hour day, or for Saturday, or for Sunday. Double time the regular rate for work on a holiday.
For Small-Bore Micro Tunneling Machines - Time and one-half the regular rate shall be paid for all overtime.

Overtime

Double time the regular rate after an 8 hour day.
Double time the regular time rate for Saturday.
Double time the regular rate for Sunday.
Double time the regular rate for work on the following holiday(s).

Paid Holidays

New Year's Day
Lincoln's Birthday
President's Day
Memorial Day
Independence Day
Labor Day
Columbus Day
Election Day
Veteran's Day
Thanksgiving Day
Christmas Day

(Local #147)

WELDER

**TO BE PAID AT THE RATE OF THE JOURNEYPERSON IN THE TRADE
PERFORMING THE WORK.**

OFFICE OF THE COMPTROLLER

CITY OF NEW YORK

220 APPRENTICESHIP PREVAILING WAGE SCHEDULE

APPENDIX

Pursuant to Labor Law §220 (3-e), only apprentices who are individually registered in a bona fide program to which the employer contractor is a participant and registered with the New York State Department of Labor, may be employed on a public work project.

Any employee listed on a payroll at an apprentice wage rate, who is not registered as above, shall be paid the journey person wage rate for the classification of work he actually performed.

Apprentice ratios are established to ensure the proper safety, training and supervision of apprentices. A ratio establishes the number of journey workers required for each apprentice in a program and on a job site. Ratios are interpreted as follows: in the case of a 1:1, 1:4 ratio, there must be one journey worker for the first apprentice, and four additional journey workers for each subsequent apprentice.

TABLE OF CONTENTS

<u>CLASSIFICATION</u>	<u>PAGE</u>
ASBESTOS HANDLER	3
BOILERMAKER.....	3
BRICKLAYER.....	4
CARPENTER.....	5
CARPENTER - HIGH RISE CONCRETE FORMS	6
CEMENT MASON.....	7
CEMENT AND CONCRETE WORKER.....	7
DERRICKPERSON & RIGGER (STONE).....	8
DOCKBUILDER/PILE DRIVER.....	9
ELECTRICIAN	10
ELEVATOR CONSTRUCTOR	12
ELEVATOR REPAIR & MAINTENANCE.....	13
ENGINEER	14
ENGINEER - OPERATING	15
FLOOR COVERER.....	16
GLAZIER	16
HEAT & FROST INSULATOR	17
HOUSE WRECKER.....	18
IRON WORKER - ORNAMENTAL.....	18
IRON WORKER - STRUCTURAL.....	19
LABORER (FOUNDATION, CONCRETE, EXCAVATING, STREET PIPE LAYER & COMMON).....	20
MARBLE MECHANICS	21
MASON TENDER	22
METALLIC LATHER.....	23
MILLWRIGHT	23
PAVER AND ROADBUILDER.....	24
PAINTER	24
PAINTER - METAL POLISHER.....	25
PAINTER - STRUCTURAL STEEL.....	26
PLASTERER	26
PLASTERER - TENDER.....	27
PLUMBER	28
POINTER; WATERPROOFER, CAULKER, SANDBLASTER, STEAMBLASTER	29
ROOFER.....	30
SHEET METAL WORKER.....	30
SIGN ERECTOR.....	32
STEAMFITTER	33
STONE MASON - SETTER.....	34
TAPER.....	35
TILE LAYER - SETTER	35
TIMBERPERSON	36

ASBESTOS HANDLER

(Ratio of Apprentice Journeyman: 1 to 1, 1 to 3)

Asbestos Handler (First 1000 Hours)

Effective Period: 7/1/2017 - 6/30/2018
Wage Rate Per Hour: 78% of Journeyman's rate
Supplemental Benefit Rate Per Hour: \$14.25

Asbestos Handler (Second 1000 Hours)

Effective Period: 7/1/2017 - 6/30/2018
Wage Rate Per Hour: 80% of Journeyman's rate
Supplemental Benefit Rate Per Hour: \$14.25

Asbestos Handler (Third 1000 Hours)

Effective Period: 7/1/2017 - 6/30/2018
Wage Rate Per Hour: 83% of Journeyman's rate
Supplemental Benefit Rate Per Hour: \$14.25

Asbestos Handler (Fourth 1000 Hours)

Effective Period: 7/1/2017 - 6/30/2018
Wage Rate Per Hour: 89% of Journeyman's rate
Supplemental Benefit Rate Per Hour: \$14.25

(Local #78)

BOILERMAKER

(Ratio of Apprentice to Journeyman: 1 to 1, 1 to 3)

Boilermaker (First Year)

Effective Period: 7/1/2017 - 6/30/2018
Wage Rate Per Hour: 65% of Journeyman's rate
Supplemental Benefit Rate Per Hour: \$30.84
Effective 1/1/2018 - Supplemental Benefit Rate Per Hour: \$31.26

Boilermaker (Second Year: 1st Six Months)

Effective Period: 7/1/2017 - 6/30/2018

OFFICE OF THE COMPTROLLER, CITY OF NEW YORK
§220 APPRENTICESHIP PREVAILING WAGE SCHEDULE

Wage Rate Per Hour: 70% of Journeyperson's rate
Supplemental Benefit Rate Per Hour: \$32.57
Effective 1/1/2018 - Supplemental Benefit Rate Per Hour: \$33.02

Boilermaker (Second Year: 2nd Six Months)

Effective Period: 7/1/2017 - 6/30/2018
Wage Rate Per Hour: 75% of Journeyperson's rate
Supplemental Benefit Rate Per Hour: \$34.29
Effective 1/1/2018 - Supplemental Benefit Rate Per Hour: \$34.78

Boilermaker (Third Year: 1st Six Months)

Effective Period: 7/1/2017 - 6/30/2018
Wage Rate Per Hour: 80% of Journeyperson's rate
Supplemental Benefit Rate Per Hour: \$36.03
Effective 1/1/2018 - Supplemental Benefit Rate Per Hour: \$36.56

Boilermaker (Third Year: 2nd Six Months)

Effective Period: 7/1/2017 - 6/30/2018
Wage Rate Per Hour: 85% of Journeyperson's rate
Supplemental Benefit Rate Per Hour: \$37.76
Effective 1/1/2018 - Supplemental Benefit Rate Per Hour: \$38.32

Boilermaker (Fourth Year: 1st Six Months)

Effective Period: 7/1/2017 - 6/30/2018
Wage Rate Per Hour: 90% of Journeyperson's rate
Supplemental Benefit Rate Per Hour: \$39.51
Effective 1/1/2018 - Supplemental Benefit Rate Per Hour: \$40.09

Boilermaker (Fourth Year: 2nd Six Months)

Effective Period: 7/1/2017 - 6/30/2018
Wage Rate Per Hour: 95% of Journeyperson's rate
Supplemental Benefit Rate Per Hour: \$41.22
Effective 1/1/2018 - Supplemental Benefit Rate Per Hour: \$41.84

(Local #5)

BRICKLAYER

(Ratio of Apprentice to Journeyperson: 1 to 1, 1 to 4)

Bricklayer (First 750 Hours)

OFFICE OF THE COMPTROLLER, CITY OF NEW YORK
§220 APPRENTICESHIP PREVAILING WAGE SCHEDULE

Effective Period: 7/1/2017 - 6/30/2018
Wage Rate Per Hour: 50% of Journeyperson's rate
Supplemental Benefit Rate Per Hour: \$18.80

Bricklayer (Second 750 Hours)

Effective Period: 7/1/2017 - 6/30/2018
Wage Rate Per Hour: 60% of Journeyperson's rate
Supplemental Benefit Rate Per Hour: \$18.80

Bricklayer (Third 750 Hours)

Effective Period: 7/1/2017 - 6/30/2018
Wage Rate Per Hour: 70% of Journeyperson's rate
Supplemental Benefit Rate Per Hour: \$18.80

Bricklayer (Fourth 750 Hours)

Effective Period: 7/1/2017 - 6/30/2018
Wage Rate Per Hour: 80% of Journeyperson's rate
Supplemental Benefit Rate Per Hour: \$18.80

Bricklayer (Fifth 750 Hours)

Effective Period: 7/1/2017 - 6/30/2018
Wage Rate Per Hour: 90% of Journeyperson's rate
Supplemental Benefit Rate Per Hour: \$18.80

Bricklayer (Sixth 750 Hours)

Effective Period: 7/1/2017 - 6/30/2018
Wage Rate Per Hour: 95% of Journeyperson's rate
Supplemental Benefit Rate Per Hour: \$18.80

(Bricklayer District Council)

CARPENTER
(Ratio of Apprentice to Journeyperson: 1 to 1, 1 to 4)

Carpenter (First Year)

Effective Period: 7/1/2017 - 6/30/2018
Wage Rate Per Hour: 40% of Journeyperson's rate
Supplemental Benefit Rate Per Hour For Building Apprentice: \$31.34

OFFICE OF THE COMPTROLLER, CITY OF NEW YORK
§220 APPRENTICESHIP PREVAILING WAGE SCHEDULE

Supplemental Benefit Rate Per Hour For Heavy Apprentice: \$33.03

Carpenter (Second Year)

Effective Period: 7/1/2017 - 6/30/2018

Wage Rate Per Hour: 50% of Journeyman's rate

Supplemental Benefit Rate Per Hour For Building Apprentice: \$31.34

Supplemental Benefit Rate Per Hour For Heavy Apprentice: \$33.03

Carpenter (Third Year)

Effective Period: 7/1/2017 - 6/30/2018

Wage Rate Per Hour: 65% of Journeyman's rate

Supplemental Benefit Rate Per Hour For Building Apprentice: \$31.34

Supplemental Benefit Rate Per Hour For Heavy Apprentice: \$33.03

Carpenter (Fourth Year)

Effective Period: 7/1/2017 - 6/30/2018

Wage Rate Per Hour: 80% of Journeyman's rate

Supplemental Benefit Rate Per Hour For Building Apprentice: \$31.34

Supplemental Benefit Rate Per Hour For Heavy Apprentice: \$33.03

(Carpenters District Council)

CARPENTER - HIGH RISE CONCRETE FORMS
(Ratio of Apprentice to Journeyman: 1 to 1, 2 to 5)

Carpenter - High Rise (First Year)

Effective Period: 7/1/2017 - 6/30/2018

Wage Rate per Hour: \$16.86

Supplemental Benefit Rate per Hour: \$16.20

Carpenter - High Rise (Second Year)

Effective Period: 7/1/2017 - 6/30/2018

Wage Rate per Hour: \$23.16

Supplemental Benefit Rate per Hour: \$16.33

Carpenter - High Rise (Third Year)

Effective Period: 7/1/2017 - 6/30/2018

Wage Rate per Hour: \$29.61

OFFICE OF THE COMPTROLLER, CITY OF NEW YORK
§220 APPRENTICESHIP PREVAILING WAGE SCHEDULE

Supplemental Benefit Rate per Hour: \$16.46

Carpenter - High Rise (Fourth Year)

Effective Period: 7/1/2017 - 6/30/2018

Wage Rate per Hour: \$37.07

Supplemental Benefit Rate per Hour: \$16.61

(Carpenters District Council)

CEMENT MASON

(Ratio of Apprentice to Journeyman: 1 to 1, 1 to 4)

Cement Mason (First Year)

Effective Period: 7/1/2017 - 6/30/2018

Wage and Supplemental Rate Per Hour: 50% of Journeyman's Rate

Cement Mason (Second Year)

Effective Period: 7/1/2017 - 6/30/2018

Wage and Supplemental Rate Per Hour: 60% of Journeyman's Rate

Cement Mason (Third Year)

Effective Period: 7/1/2017 - 6/30/2018

Wage and Supplemental Rate Per Hour: 70% of Journeyman's Rate

(Local #780)

CEMENT AND CONCRETE WORKER

(Ratio of Apprentice to Journeyman: 1 to 1, 1 to 3)

Cement & Concrete Worker (First 1333 hours)

Effective Period: 7/1/2017 - 6/30/2018

Wage Rate Per Hour: 50% of Journeyman's rate

Supplemental Benefit Rate Per Hour: \$17.75

OFFICE OF THE COMPTROLLER, CITY OF NEW YORK
§220 APPRENTICESHIP PREVAILING WAGE SCHEDULE

Cement & Concrete Worker (Second 1333 hours)

Effective Period: 7/1/2017 - 6/30/2018
Wage Rate Per Hour: 65% of Journeyperson's rate
Supplemental Benefit Rate Per Hour: \$23.03

Cement & Concrete Worker (Last 1334 hours)

Effective Period: 7/1/2017 - 6/30/2018
Wage Rate Per Hour: 80% of Journeyperson's rate
Supplemental Benefit Rate Per Hour: \$24.30

Cement & Concrete Worker (Hired after 2/6/2016 - First 1334 hours)

Effective Period: 7/1/2017 - 6/30/2018
Wage Rate Per Hour: \$16.96
Supplemental Benefit Rate Per Hour: \$11.80

Cement & Concrete Worker (Hired after 2/6/2016 - Second 1334 hours)

Effective Period: 7/1/2017 - 6/30/2018
Wage Rate Per Hour: \$22.08
Supplemental Benefit Rate Per Hour: \$16.49

Cement & Concrete Worker (Hired after 2/6/2016 - Last 1334 hours)

Effective Period: 7/1/2017 - 6/30/2018
Wage Rate Per Hour: \$27.20
Supplemental Benefit Rate Per Hour: \$17.33

(Cement Concrete Workers District Council)

DERRICKPERSON & RIGGER (STONE)
(Ratio of Apprentice to Journeyperson: 1 to 1, 1 to 4)

Derrickperson & Rigger (stone) - First Year

Effective Period: 7/1/2017 - 6/30/2018
Wage Rate Per Hour: 50% of Journeyperson's rate
Supplemental Benefit Rate Per Hour: 50% of Journeyperson's rate

Derrickperson & Rigger (stone) - Second Year: 1st Six Months

Effective Period: 7/1/2017 - 6/30/2018
Wage Rate Per Hour: 70% of Journeyperson's rate

OFFICE OF THE COMPTROLLER, CITY OF NEW YORK
§220 APPRENTICESHIP PREVAILING WAGE SCHEDULE

Supplemental Benefit Rate Per Hour: 75% of Journeyperson's rate

Derrickperson & Rigger (stone) - Second Year: 2nd Six Months

Effective Period: 7/1/2017 - 6/30/2018

Wage Rate Per Hour: 80% of Journeyperson's rate

Supplemental Benefit Rate Per Hour: 75% of Journeyperson's rate

Derrickperson & Rigger (stone) - Third Year

Effective Period: 7/1/2017 - 6/30/2018

Wage Rate Per Hour: 90% of Journeyperson's rate

Supplemental Benefit Rate Per Hour: 75% of Journeyperson's rate

(Local #197)

DOCKBUILDER/PILE DRIVER

(Ratio of Apprentice to Journeyperson: 1 to 1, 1 to 6)

Dockbuilder/Pile Driver (First Year)

Effective Period: 7/1/2017 - 6/30/2018

Wage Rate Per Hour: 40% of Journeyperson's rate

Supplemental Benefit Rate Per Hour: \$33.03

Dockbuilder/Pile Driver (Second Year)

Effective Period: 7/1/2017 - 6/30/2018

Wage Rate Per Hour: 50% of Journeyperson's rate

Supplemental Benefit Rate Per Hour: \$33.03

Dockbuilder/Pile Driver (Third Year)

Effective Period: 7/1/2017 - 6/30/2018

Wage Rate Per Hour: 65% of Journeyperson's rate

Supplemental Benefit Rate Per Hour: \$33.03

Dockbuilder/Pile Driver (Fourth Year)

Effective Period: 7/1/2017 - 6/30/2018

Wage Rate Per Hour: 80% of Journeyperson's rate

Supplemental Benefit Rate Per Hour: \$33.03

(Carpenters District Council)

ELECTRICIAN

(Ratio of Apprentice to Journeyperson: 1 to 1, 1 to 3)

Electrician (First Term: 0-6 Months)

Effective Period: 7/1/2017 - 5/9/2018

Wage Rate per Hour: **\$14.00**

Supplemental Benefit Rate per Hour: **\$12.37**

Overtime Supplemental Rate Per Hour: **\$13.29**

Effective Period: 5/10/2018 - 6/30/2018

Wage Rate per Hour: **\$14.50**

Supplemental Benefit Rate per Hour: **\$12.63**

Overtime Supplemental Rate Per Hour: **\$13.58**

Electrician (First Term: 7-12 Months)

Effective Period: 7/1/2017 - 5/9/2018

Wage Rate per Hour: **\$15.00**

Supplemental Benefit Rate per Hour: **\$12.88**

Overtime Supplemental Rate Per Hour: **\$13.87**

Effective Period: 5/10/2018 - 6/30/2018

Wage Rate per Hour: **\$15.50**

Supplemental Benefit Rate per Hour: **\$13.14**

Overtime Supplemental Rate Per Hour: **\$14.16**

Electrician (Second Term: 0-6 Months)

Effective Period: 7/1/2017 - 5/9/2018

Wage Rate per Hour: **\$16.00**

Supplemental Benefit Rate per Hour: **\$13.39**

Overtime Supplemental Rate Per Hour: **\$14.44**

Effective Period: 5/10/2018 - 6/30/2018

Wage Rate per Hour: **\$16.50**

Supplemental Benefit Rate per Hour: **\$13.64**

Overtime Supplemental Rate Per Hour: **\$14.73**

Electrician (Second Term: 7-12 Months)

Effective Period: 7/1/2017 - 5/9/2018

Wage Rate per Hour: **\$17.00**

Supplemental Benefit Rate per Hour: **\$13.90**

OFFICE OF THE COMPTROLLER, CITY OF NEW YORK
§220 APPRENTICESHIP PREVAILING WAGE SCHEDULE

Overtime Supplemental Rate Per Hour: \$15.02

Effective Period: 5/10/2018 - 6/30/2018

Wage Rate per Hour: \$17.50

Supplemental Benefit Rate per Hour: \$14.15

Overtime Supplemental Rate Per Hour: \$15.31

Electrician (Third Term: 0-6 Months)

Effective Period: 7/1/2017 - 5/9/2018

Wage Rate per Hour: \$18.00

Supplemental Benefit Rate per Hour: \$14.41

Overtime Supplemental Rate Per Hour: \$15.59

Effective Period: 5/10/2018 - 6/30/2018

Wage Rate per Hour: \$18.50

Supplemental Benefit Rate per Hour: \$14.66

Overtime Supplemental Rate Per Hour: \$15.88

Electrician (Third Term: 7-12 Months)

Effective Period: 7/1/2017 - 5/9/2018

Wage Rate per Hour: \$19.00

Supplemental Benefit Rate per Hour: \$14.92

Overtime Supplemental Rate Per Hour: \$16.17

Effective Period: 5/10/2018 - 6/30/2018

Wage Rate per Hour: \$19.50

Supplemental Benefit Rate per Hour: \$15.17

Overtime Supplemental Rate Per Hour: \$16.45

Electrician (Fourth Term: 0-6 Months)

Effective Period: 7/1/2017 - 5/9/2018

Wage Rate per Hour: \$20.00

Supplemental Benefit Rate per Hour: \$15.43

Overtime Supplemental Rate Per Hour: \$16.74

Effective Period: 5/10/2018 - 6/30/2018

Wage Rate per Hour: \$20.50

Supplemental Benefit Rate per Hour: \$15.68

Overtime Supplemental Rate Per Hour: \$17.03

Electrician (Fourth Term: 7-12 Months)

Effective Period: 7/1/2017 - 5/9/2018

Wage Rate per Hour: \$22.00

Supplemental Benefit Rate per Hour: \$16.44

Overtime Supplemental Rate Per Hour: \$17.89

OFFICE OF THE COMPTROLLER, CITY OF NEW YORK
§220 APPRENTICESHIP PREVAILING WAGE SCHEDULE

Effective Period: 5/10/2018 - 6/30/2018
Wage Rate per Hour: \$22.50
Supplemental Benefit Rate per Hour: \$16.70
Overtime Supplemental Rate Per Hour: \$18.18

Electrician (Fifth Term: 0-12 Months)

Effective Period: 7/1/2017 - 5/9/2018
Wage Rate per Hour: \$24.00
Supplemental Benefit Rate per Hour: \$19.80
Overtime Supplemental Rate Per Hour: \$21.30

Effective Period: 5/10/2018 - 6/30/2018
Wage Rate per Hour: \$24.50
Supplemental Benefit Rate per Hour: \$20.30
Overtime Supplemental Rate Per Hour: \$21.84

Electrician (Fifth Term: 13-18 Months)

Effective Period: 7/1/2017 - 5/9/2018
Wage Rate per Hour: \$28.50
Supplemental Benefit Rate per Hour: \$22.10
Overtime Supplemental Rate Per Hour: \$23.89

Effective Period: 5/10/2018 - 6/30/2018
Wage Rate per Hour: \$29.00
Supplemental Benefit Rate per Hour: \$22.65
Overtime Supplemental Rate Per Hour: \$24.47

Overtime Description

Overtime Wage paid at time and one half the regular rate

(Local #3)

ELEVATOR CONSTRUCTOR

(Ratio of Apprentice to Journeyman: 1 to 1, 1 to 2)

Elevator (Constructor) - First Year

Effective Period: 7/1/2017 - 3/16/2018
Wage Rate Per Hour: 50% of Journeyman's rate
Supplemental Rate Per Hour: \$29.88

Effective Period: 3/17/2018 - 6/30/2018

OFFICE OF THE COMPTROLLER, CITY OF NEW YORK
§220 APPRENTICESHIP PREVAILING WAGE SCHEDULE

Wage Rate Per Hour: 50% of Journeyperson's rate
Supplemental Rate Per Hour: \$31.35

Elevator (Constructor) - Second Year

Effective Period: 7/1/2017 - 3/16/2018
Wage Rate Per Hour: 55% of Journeyperson's rate
Supplemental Rate Per Hour: \$30.31

Effective Period: 3/17/2018 - 6/30/2018
Wage Rate Per Hour: 55% of Journeyperson's rate
Supplemental Rate Per Hour: \$31.80

Elevator (Constructor) - Third Year

Effective Period: 7/1/2017 - 3/16/2018
Wage Rate Per Hour: 65% of Journeyperson's rate
Supplemental Rate Per Hour: \$31.19

Effective Period: 3/17/2018 - 6/30/2018
Wage Rate Per Hour: 65% of Journeyperson's rate
Supplemental Rate Per Hour: \$32.70

Elevator (Constructor) - Fourth Year

Effective Period: 7/1/2017 - 3/16/2018
Wage Rate Per Hour: 75% of Journeyperson's rate
Supplemental Rate Per Hour: \$32.07

Effective Period: 3/17/2018 - 6/30/2018
Wage Rate Per Hour: 75% of Journeyperson's rate
Supplemental Rate Per Hour: \$33.60

(Local #1)

ELEVATOR REPAIR & MAINTENANCE
(Ratio of Apprentice to Journeyperson: 1 to 1, 1 to 2)

Elevator Service/Modernization Mechanic (First Year)

Effective Period: 7/1/2017 - 3/16/2018
Wage Rate Per Hour: 50% of Journeyperson's rate
Supplemental Benefit Per Hour: \$29.80

Effective Period: 3/17/2018 - 6/30/2018
Wage Rate Per Hour: 50% of Journeyperson's rate

OFFICE OF THE COMPTROLLER, CITY OF NEW YORK
§220 APPRENTICESHIP PREVAILING WAGE SCHEDULE

Supplemental Benefit Per Hour: \$31.28

Elevator Service/Modernization Mechanic (Second Year)

Effective Period: 7/1/2017 - 3/16/2018

Wage Rate Per Hour: 55% of Journeyperson's rate

Supplemental Benefit Per Hour: \$30.23

Effective Period: 3/17/2018 - 6/30/2018

Wage Rate Per Hour: 55% of Journeyperson's rate

Supplemental Benefit Per Hour: \$31.72

Elevator Service/Modernization Mechanic (Third Year)

Effective Period: 7/1/2017 - 3/16/2018

Wage Rate Per Hour: 65% of Journeyperson's rate

Supplemental Benefit Per Hour: \$31.09

Effective Period: 3/17/2018 - 6/30/2018

Wage Rate Per Hour: 65% of Journeyperson's rate

Supplemental Benefit Per Hour: \$32.60

Elevator Service/Modernization Mechanic (Fourth Year)

Effective Period: 7/1/2017 - 3/16/2018

Wage Rate Per Hour: 75% of Journeyperson's rate

Supplemental Benefit Per Hour: \$31.95

Effective Period: 3/17/2018 - 6/30/2018

Wage Rate Per Hour: 75% of Journeyperson's rate

Supplemental Benefit Per Hour: \$33.49

(Local #1)

ENGINEER

(Ratio of Apprentice to Journeyperson: 1 to 1, 1 to 5)

Engineer - First Year

Effective Period: 7/1/2017 - 6/30/2018

Wage Rate per Hour: \$24.77

Supplemental Benefit Rate per Hour: \$24.62

Engineer - Second Year

OFFICE OF THE COMPTROLLER, CITY OF NEW YORK
§220 APPRENTICESHIP PREVAILING WAGE SCHEDULE

Effective Period: 7/1/2017 - 6/30/2018
Wage Rate per Hour: **\$30.97**
Supplemental Benefit Rate per Hour: **\$24.62**

Engineer - Third Year

Effective Period: 7/1/2017 - 6/30/2018
Wage Rate per Hour: **\$34.06**
Supplemental Benefit Rate per Hour: **\$24.62**

Engineer - Fourth Year

Effective Period: 7/1/2017 - 6/30/2018
Wage Rate per Hour: **\$37.16**
Supplemental Benefit Rate per Hour: **\$24.62**

(Local #15)

ENGINEER - OPERATING
(Ratio of Apprentice to Journeyperson: 1 to 1, 1 to 5)

Operating Engineer - First Year

Effective Period: 7/1/2017 - 6/30/2018
Wage Rate Per Hour 40% of Journeyperson's Rate
Supplemental Benefit Per Hour: **\$20.85**

Operating Engineer - Second Year

Effective Period: 7/1/2017 - 6/30/2018
Wage Rate Per Hour: 50% of Journeyperson's Rate
Supplemental Benefit Per Hour: **\$20.85**

Operating Engineer - Third Year

Effective Period: 7/1/2017 - 6/30/2018
Wage Rate Per Hour: 60% of Journeyperson's Rate
Supplemental Benefit Per Hour: **\$20.85**

(Local #14)

FLOOR COVERER

(Ratio of Apprentice to Journeyman: 1 to 1, 1 to 4)

Floor Coverer (First Year)

Effective Period: 7/1/2017 - 6/30/2018
Wage Rate Per Hour: 40% of Journeyman's rate
Supplemental Rate Per Hour: \$31.14

Floor Coverer (Second Year)

Effective Period: 7/1/2017 - 6/30/2018
Wage Rate Per Hour: 50% of Journeyman's rate
Supplemental Rate Per Hour: \$31.14

Floor Coverer (Third Year)

Effective Period: 7/1/2017 - 6/30/2018
Wage Rate Per Hour: 65% of Journeyman's rate
Supplemental Rate Per Hour: \$31.14

Floor Coverer (Fourth Year)

Effective Period: 7/1/2017 - 6/30/2018
Wage Rate Per Hour: 80% of Journeyman's rate
Supplemental Rate Per Hour: \$31.14

(Carpenters District Council)

GLAZIER

(Ratio of Apprentice to Journeyman: 1 to 1, 1 to 3)

Glazier (First Year)

Effective Period: 7/1/2017 - 6/30/2018
Wage Rate Per Hour: 40% of Journeyman's rate
Supplemental Rate Per Hour: \$15.26

Glazier (Second Year)

Effective Period: 7/1/2017 - 6/30/2018
Wage Rate Per Hour: 50% of Journeyman's rate

OFFICE OF THE COMPTROLLER, CITY OF NEW YORK
§220 APPRENTICESHIP PREVAILING WAGE SCHEDULE

Supplemental Rate Per Hour: \$25.36

Glazier (Third Year)

Effective Period: 7/1/2017 - 6/30/2018
Wage Rate Per Hour: 60% of Journeyman's rate
Supplemental Rate Per Hour: \$28.62

Glazier (Fourth Year)

Effective Period: 7/1/2017 - 6/30/2018
Wage Rate Per Hour: 80% of Journeyman's rate
Supplemental Rate Per Hour: \$34.67

(Local #1281)

HEAT & FROST INSULATOR
(Ratio of Apprentice to Journeyman: 1 to 1, 1 to 3)

Heat & Frost Insulator (First Year)

Effective Period: 7/1/2017 - 6/30/2018
Wage and Supplemental Rate Per Hour: 40% of Journeyman's rate

Heat & Frost Insulator (Second Year)

Effective Period: 7/1/2017 - 6/30/2018
Wage and Supplemental Rate Per Hour: 60% of Journeyman's rate

Heat & Frost Insulator (Third Year)

Effective Period: 7/1/2017 - 6/30/2018
Wage and Supplemental Rate Per Hour: 70% of Journeyman's rate

Heat & Frost Insulator (Fourth Year)

Effective Period: 7/1/2017 - 6/30/2018
Wage and Supplemental Rate Per Hour: 80% of Journeyman's rate

(Local #12)

HOUSE WRECKER
(TOTAL DEMOLITION)
(Ratio of Apprentice to Journeyman: 1 to 1, 1 to 3)

House Wrecker - First Year

Effective Period: 7/1/2017 - 6/30/2018
Wage Rate per Hour: \$21.17
Supplemental Benefit Rate per Hour: \$18.54

House Wrecker - Second Year

Effective Period: 7/1/2017 - 6/30/2018
Wage Rate per Hour: \$22.32
Supplemental Benefit Rate per Hour: \$18.54

House Wrecker - Third Year

Effective Period: 7/1/2017 - 6/30/2018
Wage Rate per Hour: \$23.97
Supplemental Benefit Rate per Hour: \$18.54

House Wrecker - Fourth Year

Effective Period: 7/1/2017 - 6/30/2018
Wage Rate per Hour: \$26.53
Supplemental Benefit Rate per Hour: \$18.54

(Mason Tenders District Council)

IRON WORKER - ORNAMENTAL
(Ratio of Apprentice to Journeyman: 1 to 1, 1 to 4)

Iron Worker (Ornamental) - 1st Ten Months

Effective Period: 7/1/2017 - 6/30/2018
Wage Rate Per Hour: 50% of Journeyman's rate
Supplemental Rate Per Hour: \$39.40

Iron Worker (Ornamental) - 11 -16 Months

OFFICE OF THE COMPTROLLER, CITY OF NEW YORK
§220 APPRENTICESHIP PREVAILING WAGE SCHEDULE

Effective Period: 7/1/2017 - 6/30/2018
Wage Rate Per Hour: 55% of Journeyman's rate
Supplemental Rate Per Hour: \$40.62

Iron Worker (Ornamental) - 17 - 22 Months

Effective Period: 7/1/2017 - 6/30/2018
Wage Rate Per Hour: 60% of Journeyman's rate
Supplemental Rate Per Hour: \$41.83

Iron Worker (Ornamental) - 23 - 28 Months

Effective Period: 7/1/2017 - 6/30/2018
Wage Rate Per Hour: 70% of Journeyman's rate
Supplemental Rate Per Hour: \$44.27

Iron Worker (Ornamental) - 29 - 36 Months

Effective Period: 7/1/2017 - 6/30/2018
Wage Rate Per Hour: 80% of Journeyman's rate
Supplemental Rate Per Hour: \$46.70

(Local #580)

IRON WORKER - STRUCTURAL
(Ratio of Apprentice to Journeyman: 1 to 1, 1 to 6)

Iron Worker (Structural) - 1st Six Months

Effective Period: 7/1/2017 - 6/30/2018
Wage Rate per Hour: \$26.12
Supplemental Benefit Rate per Hour: \$50.22

Iron Worker (Structural) - 7- 18 Months

Effective Period: 7/1/2017 - 6/30/2018
Wage Rate per Hour: \$26.72
Supplemental Benefit Rate per Hour: \$50.22

Iron Worker (Structural) - 19 - 36 months

Effective Period: 7/1/2017 - 6/30/2018
Wage Rate per Hour: \$27.32

OFFICE OF THE COMPTROLLER, CITY OF NEW YORK
§220 APPRENTICESHIP PREVAILING WAGE SCHEDULE

Supplemental Benefit Rate per Hour: \$50.22

(Local #40 and #361)

**LABORER (FOUNDATION, CONCRETE, EXCAVATING, STREET PIPE
LAYER & COMMON)**

(Ratio Apprentice to Journeyperson: 1 to 1, 1 to 3)

**Laborer (Foundation, Concrete, Excavating, Street Pipe Layer & Common) - First
1000 hours**

Effective Period: 7/1/2017 - 6/30/2018
Wage Rate Per Hour: 50% of Journeyperson's rate
Supplemental Rate Per Hour: \$40.63

**Laborer (Foundation, Concrete, Excavating, Street Pipe Layer & Common) -
Second 1000 hours**

Effective Period: 7/1/2017 - 6/30/2018
Wage Rate Per Hour: 60% of Journeyperson's rate
Supplemental Rate Per Hour: \$40.63

**Laborer (Foundation, Concrete, Excavating, Street Pipe Layer & Common) -
Third 1000 hours**

Effective Period: 7/1/2017 - 6/30/2018
Wage Rate Per Hour: 75% of Journeyperson's rate
Supplemental Rate Per Hour: \$40.63

**Laborer (Foundation, Concrete, Excavating, Street Pipe Layer & Common) -
Fourth 1000 hours**

Effective Period: 7/1/2017 - 6/30/2018
Wage Rate Per Hour: 90% of Journeyperson's rate
Supplemental Rate Per Hour: \$40.63

(Local #731)

MARBLE MECHANICS

(Ratio of Apprentice to Journeyman: 1 to 1, 1 to 4)

Cutters & Setters - First 750 Hours

Effective Period: 7/1/2017 - 6/30/2018

Wage and Supplemental Rate Per Hour: 50% of Journeyman's rate

NO BENEFITS PAID DURING THE FIRST TWO MONTHS (PROBATIONARY PERIOD)

Cutters & Setters - Second 750 Hours

Effective Period: 7/1/2017 - 6/30/2018

Wage and Supplemental Rate Per Hour: 55% of Journeyman's rate

Cutters & Setters - Third 750 Hours

Effective Period: 7/1/2017 - 6/30/2018

Wage and Supplemental Rate Per Hour: 65% of Journeyman's rate

Cutters & Setters - Fourth 750 Hours

Effective Period: 7/1/2017 - 6/30/2018

Wage and Supplemental Rate Per Hour: 75% of Journeyman's rate

Cutters & Setters - Fifth 750 Hours

Effective Period: 7/1/2017 - 6/30/2018

Wage and Supplemental Rate Per Hour: 85% of Journeyman's rate

Cutters & Setters - Sixth 750 Hours

Effective Period: 7/1/2017 - 6/30/2018

Wage and Supplemental Rate Per Hour: 95% of Journeyman's rate

Polishers & Finishers - First 750 Hours

Effective Period: 7/1/2017 - 6/30/2018

Wage and Supplemental Rate Per Hour: 50% of Journeyman's rate

NO BENEFITS PAID DURING THE FIRST TWO MONTHS (PROBATIONARY PERIOD)

Polishers & Finishers - Second 750 Hours

Effective Period: 7/1/2017 - 6/30/2018

Wage and Supplemental Rate Per Hour: 60% of Journeyman's rate

Polishers & Finishers - Third 750 Hours

OFFICE OF THE COMPTROLLER, CITY OF NEW YORK
§220 APPRENTICESHIP PREVAILING WAGE SCHEDULE

Effective Period: 7/1/2017 - 6/30/2018

Wage and Supplemental Rate Per Hour: 75% of Journeyperson's rate

Polishers & Finishers - Fourth 750 Hours

Effective Period: 7/1/2017 - 6/30/2018

Wage and Supplemental Rate Per Hour: 90% of Journeyperson's rate

(Local #7)

MASON TENDER

(Ratio of Apprentice to Journeyperson: 1 to 1, 1 to 3)

Mason Tender - First Year

Effective Period: 7/1/2017 - 6/30/2018

Wage Rate per Hour: \$21.39

Supplemental Benefit Rate per Hour: \$19.65

Mason Tender - Second Year

Effective Period: 7/1/2017 - 6/30/2018

Wage Rate per Hour: \$22.54

Supplemental Benefit Rate per Hour: \$19.65

Mason Tender - Third Year

Effective Period: 7/1/2017 - 6/30/2018

Wage Rate per Hour: \$24.29

Supplemental Benefit Rate per Hour: \$19.70

Mason Tender - Fourth Year

Effective Period: 7/1/2017 - 6/30/2018

Wage Rate per Hour: \$26.95

Supplemental Benefit Rate per Hour: \$19.70

(Local #79)

METALLIC LATHER

(Ratio of Apprentice to Journeyman: 1 to 1, 1 to 3)

Metallic Lather (First Year)

Effective Period: 7/1/2017 - 6/30/2018

Wage Rate per Hour: **\$28.38**

Supplemental Benefit Rate per Hour: **\$10.96**

Metallic Lather (Second Year)

Effective Period: 7/1/2017 - 6/30/2018

Wage Rate per Hour: **\$32.38**

Supplemental Benefit Rate per Hour: **\$12.96**

Metallic Lather (Third Year)

Effective Period: 7/1/2017 - 6/30/2018

Wage Rate per Hour: **\$35.38**

Supplemental Benefit Rate per Hour: **\$17.12**

Metallic Lather (Fourth Year)

Effective Period: 7/1/2017 - 6/30/2018

Wage Rate per Hour: **\$37.38**

Supplemental Benefit Rate per Hour: **\$17.92**

(Local #46)

MILLWRIGHT

(Ratio of Apprentice to Journeyman: 1 to 1, 1 to 4)

Millwright (First Year)

Effective Period: 7/1/2017 - 6/30/2018

Wage Rate per Hour: **\$28.33**

Supplemental Benefit Rate per Hour: **\$34.28**

Millwright (Second Year)

OFFICE OF THE COMPTROLLER, CITY OF NEW YORK
§220 APPRENTICESHIP PREVAILING WAGE SCHEDULE

Effective Period: 7/1/2017 - 6/30/2018
Wage Rate per Hour: \$33.48
Supplemental Benefit Rate per Hour: \$37.88

Millwright (Third Year)

Effective Period: 7/1/2017 - 6/30/2018
Wage Rate per Hour: \$38.63
Supplemental Benefit Rate per Hour: \$42.13

Millwright (Fourth Year)

Effective Period: 7/1/2017 - 6/30/2018
Wage Rate per Hour: \$48.93
Supplemental Benefit Rate per Hour: \$48.69

(Local #740)

PAVER AND ROADBUILDER
(Ratio of Apprentice to Journeyman: 1 to 1, 1 to 3)

Paver and Roadbuilder - First Year (Minimum 1000 hours)

Effective Period: 7/1/2017 - 6/30/2018
Wage Rate per Hour: \$27.86
Supplemental Benefit Rate per Hour: \$19.25

Paver and Roadbuilder - Second Year (Minimum 1000 hours)

Effective Period: 7/1/2017 - 6/30/2018
Wage Rate per Hour: \$29.50
Supplemental Benefit Rate per Hour: \$19.25

(Local #1010)

PAINTER
(Ratio of Apprentice to Journeyman: 1 to 1, 1 to 3)

OFFICE OF THE COMPTROLLER, CITY OF NEW YORK
§220 APPRENTICESHIP PREVAILING WAGE SCHEDULE

Painter - Brush & Roller - First Year

Effective Period: 7/1/2017 - 6/30/2018
Wage Rate per Hour: \$17.00
Supplemental Benefit Rate per Hour: \$13.42

Painter - Brush & Roller - Second Year

Effective Period: 7/1/2017 - 6/30/2018
Wage Rate per Hour: \$21.25
Supplemental Benefit Rate per Hour: \$17.43

Painter - Brush & Roller - Third Year

Effective Period: 7/1/2017 - 6/30/2018
Wage Rate per Hour: \$25.50
Supplemental Benefit Rate per Hour: \$20.50

Painter - Brush & Roller - Fourth Year

Effective Period: 7/1/2017 - 6/30/2018
Wage Rate per Hour: \$34.00
Supplemental Benefit Rate per Hour: \$26.20

(District Council of Painters)

PAINTER - METAL POLISHER
(Ratio of Apprentice to Journeyman: 1 to 1, 1 to 3)

Metal Polisher (First Year)

Effective Period: 7/1/2017 - 6/30/2018
Wage Rate per Hour: \$11.75
Supplemental Benefit Rate per Hour: \$5.13

Metal Polisher (Second Year)

Effective Period: 7/1/2017 - 6/30/2018
Wage Rate per Hour: \$13.00
Supplemental Benefit Rate per Hour: \$5.13

OFFICE OF THE COMPTROLLER, CITY OF NEW YORK
§220 APPRENTICESHIP PREVAILING WAGE SCHEDULE

Metal Polisher (Third Year)

Effective Period: 7/1/2017 - 6/30/2018

Wage Rate per Hour: \$15.75

Supplemental Benefit Rate per Hour: \$5.13

(Local 8A-28)

PAINTER - STRUCTURAL STEEL
(Ratio of Apprentice to Journeyman: 1 to 1, 1 to 3)

Painters - Structural Steel (First Year)

Effective Period: 7/1/2017 - 6/30/2018

Wage and Supplemental Rate Per Hour: 40% of Journeyman's rate

Painters - Structural Steel (Second Year)

Effective Period: 7/1/2017 - 6/30/2018

Wage and Supplemental Rate Per Hour: 60% of Journeyman's rate

Painters - Structural Steel (Third Year)

Effective Period: 7/1/2017 - 6/30/2018

Wage and Supplemental Rate Per Hour: 80% of Journeyman's rate

(Local #806)

PLASTERER
(Ratio of Apprentice to Journeyman: 1 to 1, 1 to 3)

Plasterer - First Year: 1st Six Months

Effective Period: 7/1/2017 - 6/30/2018

Wage Rate Per Hour: 40% of Journeyman's rate

Supplemental Rate Per Hour: \$13.59

Plasterer - First Year: 2nd Six Months

OFFICE OF THE COMPTROLLER, CITY OF NEW YORK
§220 APPRENTICESHIP PREVAILING WAGE SCHEDULE

Effective Period: 7/1/2017 - 6/30/2018
Wage Rate Per Hour: 45% of Journeyman's rate
Supplemental Rate Per Hour: \$14.07

Plasterer - Second Year: 1st Six Months

Effective Period: 7/1/2017 - 6/30/2018
Wage Rate Per Hour: 55% of Journeyman's rate
Supplemental Rate Per Hour: \$16.04

Plasterer - Second Year: 2nd Six Months

Effective Period: 7/1/2017 - 6/30/2018
Wage Rate Per Hour: 60% of Journeyman's rate
Supplemental Rate Per Hour: \$17.12

Plasterer - Third Year: 1st Six Months

Effective Period: 7/1/2017 - 6/30/2018
Wage Rate Per Hour: 70% of Journeyman's rate
Supplemental Rate Per Hour: \$19.29

Plasterer - Third Year: 2nd Six Months

Effective Period: 7/1/2017 - 6/30/2018
Wage Rate Per Hour: 75% of Journeyman's rate
Supplemental Rate Per Hour: \$20.37

(Local #530)

PLASTERER - TENDER
(Ratio of Apprentice to Journeyman: 1 to 1, 1 to 3)

Plasterer Tender - First Year

Effective Period: 7/1/2017 - 6/30/2018
Wage Rate per Hour: \$21.39
Supplemental Benefit Rate per Hour: \$19.65

Plasterer Tender - Second Year

Effective Period: 7/1/2017 - 6/30/2018
Wage Rate per Hour: \$22.54

OFFICE OF THE COMPTROLLER, CITY OF NEW YORK
§220 APPRENTICESHIP PREVAILING WAGE SCHEDULE

Supplemental Benefit Rate per Hour: \$19.65

Plasterer Tender - Third Year

Effective Period: 7/1/2017 - 6/30/2018

Wage Rate per Hour: \$24.29

Supplemental Benefit Rate per Hour: \$19.70

Plasterer Tender - Fourth Year

Effective Period: 7/1/2017 - 6/30/2018

Wage Rate per Hour: \$26.95

Supplemental Benefit Rate per Hour: \$19.70

(Local #79)

PLUMBER

(Ratio of Apprentice to Journeyperson: 1 to 1, 1 to 3)

Plumber - First Year: 1st Six Months

Effective Period: 7/1/2017 - 6/30/2018

Wage Rate per Hour: \$16.28

Supplemental Benefit Rate per Hour: \$5.43

Plumber - First Year: 2nd Six Months

Effective Period: 7/1/2017 - 6/30/2018

Wage Rate per Hour: \$19.28

Supplemental Benefit Rate per Hour: \$6.43

Plumber - Second Year

Effective Period: 7/1/2017 - 6/30/2018

Wage Rate per Hour: \$26.35

Supplemental Benefit Rate per Hour: \$17.10

Plumber - Third Year

Effective Period: 7/1/2017 - 6/30/2018

Wage Rate per Hour: \$28.45

Supplemental Benefit Rate per Hour: \$17.10

OFFICE OF THE COMPTROLLER, CITY OF NEW YORK
§220 APPRENTICESHIP PREVAILING WAGE SCHEDULE

Plumber - Fourth Year

Effective Period: 7/1/2017 - 6/30/2018

Wage Rate per Hour: **\$31.30**

Supplemental Benefit Rate per Hour: **\$17.10**

Plumber - Fifth Year: 1st Six Months

Effective Period: 7/1/2017 - 6/30/2018

Wage Rate per Hour: **\$32.70**

Supplemental Benefit Rate per Hour: **\$17.10**

Plumber - Fifth Year: 2nd Six Months

Effective Period: 7/1/2017 - 6/30/2018

Wage Rate per Hour: **\$44.77**

Supplemental Benefit Rate per Hour: **\$17.10**

(Plumbers Local #1)

**POINTER, WATERPROOFER, CAULKER, SANDBLASTER,
STEAMBLASTER**

(Exterior Building Renovation)

(Ratio of Apprentice to Journeyman: 1 to 1, 1 to 4)

Pointer, Waterproofer, Caulker, Sandblaster, Steamblaster - First Year

Effective Period: 7/1/2017 - 6/30/2018

Wage Rate per Hour: **\$25.89**

Supplemental Benefit Rate per Hour: **\$13.64**

Pointer, Waterproofer, Caulker, Sandblaster, Steamblaster - Second Year

Effective Period: 7/1/2017 - 6/30/2018

Wage Rate per Hour: **\$28.97**

Supplemental Benefit Rate per Hour: **\$18.15**

Pointer, Waterproofer, Caulker, Sandblaster, Steamblaster - Third Year

Effective Period: 7/1/2017 - 6/30/2018

Wage Rate per Hour: **\$34.12**

Supplemental Benefit Rate per Hour: **\$20.90**

OFFICE OF THE COMPTROLLER, CITY OF NEW YORK
§220 APPRENTICESHIP PREVAILING WAGE SCHEDULE

Pointer, Waterproofer, Caulker, Sandblaster, Steamblaster - Fourth Year

Effective Period: 7/1/2017 - 6/30/2018

Wage Rate per Hour: \$41.33

Supplemental Benefit Rate per Hour: \$21.60

(Bricklayer District Council)

ROOFER

(Ratio of Apprentice to Journeyman: 1 to 1, 1 to 2)

Rofer - First Year

Effective Period: 7/1/2017 - 6/30/2018

Wage and Supplemental Rate Per Hour: 35% of Journeyman's Rate

Rofer - Second Year

Effective Period: 7/1/2017 - 6/30/2018

Wage and Supplemental Rate Per Hour: 50% of Journeyman's Rate

Rofer - Third Year

Effective Period: 7/1/2017 - 6/30/2018

Wage and Supplemental Rate Per Hour: 60% of Journeyman's Rate

Rofer - Fourth Year

Effective Period: 7/1/2017 - 6/30/2018

Wage and Supplemental Rate Per Hour: 75% of Journeyman's Rate

(Local #8)

SHEET METAL WORKER

(Ratio of Apprentice to Journeyman: 1 to 1, 1 to 3)

Sheet Metal Worker (0-6 Months)

OFFICE OF THE COMPTROLLER, CITY OF NEW YORK
§220 APPRENTICESHIP PREVAILING WAGE SCHEDULE

Effective Period: 7/1/2017 - 6/30/2018
Wage Rate Per Hour: 25% of Journeyperson's rate
Supplemental Rate Per Hour: \$6.35

Sheet Metal Worker (7-18 Months)

Effective Period: 7/1/2017 - 6/30/2018
Wage Rate Per Hour: 35% of Journeyperson's rate
Supplemental Rate Per Hour: \$17.12

Sheet Metal Worker (19-30 Months)

Effective Period: 7/1/2017 - 6/30/2018
Wage Rate Per Hour: 45% of Journeyperson's rate
Supplemental Rate Per Hour: \$23.54

Sheet Metal Worker (31-36 Months)

Effective Period: 7/1/2017 - 6/30/2018
Wage Rate Per Hour: 55% of Journeyperson's rate
Supplemental Rate Per Hour: \$27.70

Sheet Metal Worker (37-42 Months)

Effective Period: 7/1/2017 - 6/30/2018
Wage Rate Per Hour: 60% of Journeyperson's rate
Supplemental Rate Per Hour: \$29.11

Sheet Metal Worker (43-48 Months)

Effective Period: 7/1/2017 - 6/30/2018
Wage Rate Per Hour: 70% of Journeyperson's rate
Supplemental Rate Per Hour: \$33.96

Sheet Metal Worker (49-54 Months)

Effective Period: 7/1/2017 - 6/30/2018
Wage Rate Per Hour: 75% of Journeyperson's rate
Supplemental Rate Per Hour: \$36.07

Sheet Metal Worker (55-60 Months)

Effective Period: 7/1/2017 - 6/30/2018
Wage Rate Per Hour: 80% of Journeyperson's rate
Supplemental Rate Per Hour: \$38.15

(Local #28)

SIGN ERECTOR

(Ratio of Apprentice to Journeyman: 1 to 1, 1 to 4)

Sign Erector - First Year: 1st Six Months

Effective Period: 7/1/2017 - 6/30/2018
Wage Rate Per Hour: 35% of Journeyman's rate
Supplemental Rate Per Hour: \$14.72

Sign Erector - First Year: 2nd Six Months

Effective Period: 7/1/2017 - 6/30/2018
Wage Rate Per Hour: 40% of Journeyman's rate
Supplemental Rate Per Hour: \$16.71

Sign Erector - Second Year: 1st Six Months

Effective Period: 7/1/2017 - 6/30/2018
Wage Rate Per Hour: 45% of Journeyman's rate
Supplemental Rate Per Hour: \$18.68

Sign Erector - Second Year: 2nd Six Months

Effective Period: 7/1/2017 - 6/30/2018
Wage Rate Per Hour: 50% of Journeyman's rate
Supplemental Rate Per Hour: \$20.68

Sign Erector - Third Year: 1st Six Months

Effective Period: 7/1/2017 - 6/30/2018
Wage Rate Per Hour: 55% of Journeyman's rate
Supplemental Rate Per Hour: \$27.72

Sign Erector - Third Year: 2nd Six Months

Effective Period: 7/1/2017 - 6/30/2018
Wage Rate Per Hour: 60% of Journeyman's rate
Supplemental Rate Per Hour: \$30.57

Sign Erector - Fourth Year: 1st Six Months

Effective Period: 7/1/2017 - 6/30/2018
Wage Rate Per Hour: 65% of Journeyman's rate
Supplemental Rate Per Hour: \$33.31

Sign Erector - Fourth Year: 2nd Six Months

OFFICE OF THE COMPTROLLER, CITY OF NEW YORK
\$220 APPRENTICESHIP PREVAILING WAGE SCHEDULE

Effective Period: 7/1/2017 - 6/30/2018
Wage Rate Per Hour: 70% of Journeyperson's rate
Supplemental Rate Per Hour: \$35.83

Sign Erector - Fifth Year

Effective Period: 7/1/2017 - 6/30/2018
Wage Rate Per Hour: 75% of Journeyperson's rate
Supplemental Rate Per Hour: \$38.32

Sign Erector - Sixth Year

Effective Period: 7/1/2017 - 6/30/2018
Wage Rate Per Hour: 80% of Journeyperson's rate
Supplemental Rate Per Hour: \$40.81

(Local #137)

STEAMFITTER
(Ratio of Apprentice to Journeyperson: 1 to 1, 1 to 3)

Steamfitter - First Year

Effective Period: 7/1/2017 - 6/30/2018
Wage Rate and Supplemental Per Hour: 40% of Journeyperson's rate

Steamfitter - Second Year

Effective Period: 7/1/2017 - 6/30/2018
Wage Rate and Supplemental Rate Per Hour: 50% of Journeyperson's rate.

Steamfitter - Third Year

Effective Period: 7/1/2017 - 6/30/2018
Wage Rate and Supplemental Rate per Hour: 65% of Journeyperson's rate.

Steamfitter - Fourth Year

Effective Period: 7/1/2017 - 6/30/2018
Wage Rate and Supplemental Rate Per Hour: 80% of Journeyperson's rate.

Steamfitter - Fifth Year

Effective Period: 7/1/2017 - 6/30/2018
Wage Rate and Supplemental Rate Per Hour: 85% of Journeyperson's rate.

OFFICE OF THE COMPTROLLER, CITY OF NEW YORK
§220 APPRENTICESHIP PREVAILING WAGE SCHEDULE

(Local #638)

STONE MASON - SETTER

(Ratio Apprentice of Journeyman: 1 to 1, 1 to 2)

Stone Mason - Setters - First 750 Hours

Effective Period: 7/1/2017 - 6/30/2018

Wage and Supplemental Rate Per Hour: 50% of Journeyman's rate

Stone Mason - Setters - Second 750 Hours

Effective Period: 7/1/2017 - 6/30/2018

Wage Rate Per Hour: 60% of Journeyman's rate

Supplemental Rate Per Hour: 50% of Journeyman's rate

Stone Mason - Setters - Third 750 Hours

Effective Period: 7/1/2017 - 6/30/2018

Wage Rate Per Hour: 70% of Journeyman's rate

Supplemental Rate Per Hour: 50% of Journeyman's rate

Stone Mason - Setters - Fourth 750 Hours

Effective Period: 7/1/2017 - 6/30/2018

Wage Rate Per Hour: 80% of Journeyman's rate

Supplemental Rate Per Hour: 50% of Journeyman's rate

Stone Mason - Setters - Fifth 750 Hours

Effective Period: 7/1/2017 - 6/30/2018

Wage Rate Per Hour: 90% of Journeyman's rate

Supplemental Rate Per Hour: 50% of Journeyman's rate

Stone Mason - Setters - Sixth 750 Hours

Effective Period: 7/1/2017 - 6/30/2018

Wage Rate Per Hour: 100% of Journeyman's rate

Supplemental Rate Per Hour: 50% of Journeyman's rate

(Bricklayers District Council)

TAPER

(Ratio of Apprentice to Journeyman: 1 to 1, 1 to 4)

Drywall Taper - First Year

Effective Period: 7/1/2017 - 6/30/2018

Wage and Supplemental Rate Per Hour: 40% of Journeyman's rate

Drywall Taper - Second Year

Effective Period: 7/1/2017 - 6/30/2018

Wage and Supplemental Rate Per Hour: 60% of Journeyman's rate

Drywall Taper - Third Year

Effective Period: 7/1/2017 - 6/30/2018

Wage and Supplemental Rate Per Hour: 80% of Journeyman's rate

(Local #1974)

TILE LAYER - SETTER

(Ratio of Apprentice to Journeyman: 1 to 1, 1 to 4)

Tile Layer - Setter - First 750 Hours

Effective Period: 7/1/2017 - 6/30/2018

Wage and Supplemental Rate Per Hour: 50% of Journeyman's rate

Tile Layer - Setter - Second 750 Hours

Effective Period: 7/1/2017 - 6/30/2018

Wage and Supplemental Rate Per Hour: 55% of Journeyman's rate

Tile Layer - Setter - Third 750 Hours

Effective Period: 7/1/2017 - 6/30/2018

Wage and Supplemental Rate Per Hour: 65% of Journeyman's rate

Tile Layer - Setter - Fourth 750 Hours

OFFICE OF THE COMPTROLLER, CITY OF NEW YORK
§220 APPRENTICESHIP PREVAILING WAGE SCHEDULE

Effective Period: 7/1/2017 - 6/30/2018

Wage and Supplemental Rate Per Hour: 75% of Journeyperson's rate

Tile Layer - Setter - Fifth 750 Hours

Effective Period: 7/1/2017 - 6/30/2018

Wage and Supplemental Rate Per Hour: 85% of Journeyperson's rate

Tile Layer - Setter - Sixth 750 Hours

Effective Period: 7/1/2017 - 6/30/2018

Wage and Supplemental Rate Per Hour: 95% of Journeyperson's rate

(Local #7)

TIMBERPERSON

(Ratio of Apprentice to Journeyperson: 1 to 1, 1 to 6)

Timberperson - First Year

Effective Period: 7/1/2017 - 6/30/2018

Wage Rate Per Hour: 40% of Journeyperson's rate

Supplemental Rate Per Hour: \$32.79

Timberperson - Second Year

Effective Period: 7/1/2017 - 6/30/2018

Wage Rate Per Hour: 50% of Journeyperson's rate

Supplemental Rate Per Hour: \$32.79

Timberperson - Third Year

Effective Period: 7/1/2017 - 6/30/2018

Wage Rate Per Hour: 65% of Journeyperson's rate

Supplemental Rate Per Hour: \$32.79

Timberperson - Fourth Year

Effective Period: 7/1/2017 - 6/30/2018

Wage Rate Per Hour: 80% of Journeyperson's rate

Supplemental Rate Per Hour: \$32.79

(Local #1536)

(NO TEXT ON THIS PAGE)



Leonard A. Mancusi
SENIOR ASSISTANT COMPTROLLER

THE CITY OF NEW YORK
OFFICE OF THE COMPTROLLER
1 CENTRE STREET ROOM 1120
NEW YORK, N.Y. 10007-2341

TELEPHONE: (212) 669-3622
FAX NUMBER: (212) 669-8499

ALAN G. HEVESI
COMPTROLLER

MEMORANDUM

November 6, 2000

To Agency Chief Contracting Officers

From: Leonard A. Mancusi

Re: Security at Construction Sites

.....

Prior to the enactment of Administrative Code §6-109, security guards on construction sites were not subject to prevailing wages. Security guards under the New York State labor law are covered under §230 which provides that prevailing wages are to be paid for security guards in existing buildings. §6-109 of the Administrative Code which was enacted in 1996 closed this loophole by including all security guards working pursuant to a city contract as a prevailing wage trade.

Although some construction contract boilerplate language has been amended to include §6-109, sub-contractors performing security services have advised us that they were not aware of this provision and, since traditionally, security guards were not a covered trade on construction sites, and they were not advised by a prime contractor that they would have to pay prevailing wages, they have not been doing so.

To avoid the possibility of issuing stop payments against prime contractors for the failure of their security service sub-contractors to pay

prevailing wages, we suggest that you write to all your existing security guard sub-contractors and their primes and in the future, upon approval of a security guard sub-contractor, advise the contractors of their obligation to pay prevailing wages under §6-109 of the Administrative Code.

As always, your cooperation is appreciated.

LAM:er
ACCO.SECURITY AT SITES

○

○

○

○



**Department of
Design and
Construction**

**INFRASTRUCTURE DIVISION
BUREAU OF DESIGN**

VOLUME 2 OF 3

Contractor

Dated _____, 20__

**APPROVED AS TO FORM
CERTIFIED AS TO LEGAL AUTHORITY**

Acting Corporation Counsel

Dated _____, 20__



**Department of
Design and
Construction**

**INFRASTRUCTURE DIVISION
BUREAU OF DESIGN**

VOLUME 2 OF 3

PROJECT ID: SEQ200490

CONSTRUCTION OF STORM SEWER AND WATER MAIN IN
95TH STREET
BETWEEN 160TH AVE. AND 162ND AVE., ETC.

Together With All Work Incidental Thereto
BOROUGH OF QUEENS
CITY OF NEW YORK

Paul J. Scariano Inc.

Contractor

Dated April 30, 2018

APPROVED AS TO FORM
CERTIFIED AS TO LEGAL AUTHORITY

Cheryl Val...

Acting Corporation Counsel

SK 4/17/17

Dated November 17, 2017



**Department of
Design and
Construction**

**THE CITY OF NEW YORK
DEPARTMENT OF DESIGN AND CONSTRUCTION
DIVISION OF INFRASTRUCTURE**

30-30 THOMSON AVENUE
LONG ISLAND CITY, NEW YORK 11101-3045
TELEPHONE (718) 391-1000
WEBSITE www1.nyc.gov/site/ddc/index.page

VOLUME 3 OF 3

**SCHEDULE A
SPECIFICATIONS AND
REVISIONS TO STANDARD SPECIFICATIONS**

FOR FURNISHING ALL LABOR AND MATERIALS NECESSARY AND REQUIRED FOR:

PROJECT ID: SEQ200490

**CONSTRUCTION OF STORM SEWER AND WATER MAIN IN
95TH STREET
BETWEEN 160TH AVE. AND 162ND AVE., ETC.**

Together With All Work Incidental Thereto
**BOROUGH OF QUEENS
CITY OF NEW YORK**

FOR THE DEPARTMENT OF ENVIRONMENTAL PROTECTION
PREPARED BY
IN-HOUSE DESIGN

October 24, 2017



1 8-033

VOLUME 3 OF 3

TABLE OF CONTENTS

<u>SECTION</u>	<u>DESCRIPTION</u>	<u>PAGES</u>
	SPECIFICATIONS AND STANDARDS OF NEW YORK CITY	1 to 2
SCHEDULE A	GENERAL CONDITIONS TO CONSTRUCTION CONTRACT	SA-1 to SA-12
R – PAGES	REVISIONS TO THE NEW YORK CITY DEPARTMENT OF TRANSPORTATION STANDARD HIGHWAY SPECIFICATIONS	R-1 to R-2
SW – PAGES	SEWER AND WATER MAIN SPECIFICATIONS	SW-1 to SW-11
EP7 – PAGES	GAS COST SHARING (EP-7) STANDARD SPECIFICATIONS	EP7-1 to EP7-28B
HAZ-PAGES	SPECIFICATIONS FOR HANDLING, TRANSPORTATION AND DISPOSAL OF NONHAZARDOUS AND POTENTIALLY HAZARDOUS CONTAMINATED MATERIALS	HAZ-1 to HAZ-288
BMP-PAGES	SPECIFICATIONS FOR CONSTRUCTION OF BEST MANAGEMENT PRACTICE (BMP) AND MITIGATION AREA	BMP-1 to BMP-125
UI - PAGES	SECTION UI	UI-1 to UI-24

(NO TEXT ON THIS PAGE)

SPECIFICATIONS AND STANDARDS OF NEW YORK CITY

The following New York City Department of Transportation (NYCDOT) reference documents are available on-line at:

<http://www1.nyc.gov/site/ddc/resources/publications.page> or for purchase between 9:00 A.M. and 3:00 P.M. at 55 Water St., Ground Floor, NYC, N.Y. 10041. Contact: Ms. Vivian Valdez, Tel. (212) 839-9434

1. NYCDOT Standard Highway Specifications, August 1, 2015
2. NYCDOT Standard Highway Details of Construction, July 1, 2010

The following New York City Department of Transportation (NYCDOT) reference documents are available on-line at:

<http://www.nyc.gov/html/dot/html/about/dotlibrary.shtml#spec> or for purchase between 9:00 A.M. and 3:00 P.M. at 55 Water St., Ground Floor, NYC, N.Y. 10041. Contact: Ms. Vivian Valdez, Tel. (212) 839-9434

1. Specifications for furnishing all labor and material necessary and required for the installation, removal or relocation of street lighting equipment in the City of New York, 1992.
2. Standard Drawings, Division of Street Lighting
3. Specifications for Traffic Signals and Intelligent Transportation Systems Construction and Equipment
4. Standard Drawings for Traffic Signals

The following reference documents for New York City Department of Environmental Protection (NYCDEP) are available on-line at:

<http://www1.nyc.gov/site/ddc/resources/publications.page> or for pick up between 8:00 A.M. and 4:00 P.M. at 30-30 Thomson Avenue, 3rd Floor, Division of Infrastructure, Long Island City, N.Y. 11101. Contact: Mr. Nader Soliman, Tel. (718) 391-1179

1. NYCDEP Standard Sewer and Water Main Specifications, July 1, 2014
2. NYCDEP Instructions for Concrete Specifications, Jan. 92
3. NYCDEP General Specification 11-Concrete, November 1991
4. NYCDEP Sewer Design Standards, (September 2007) Revised January 2009

The following reference documents for New York City Department of Environmental Protection (NYCDEP) are available on-line at:

<http://www1.nyc.gov/site/ddc/resources/publications.page> or for pick up between 8:00 A.M. and 4:00 P.M. at 30-30 Thomson Avenue, 3rd Floor, Division of Infrastructure, Long Island City, N.Y. 11101. Contact: Mr. Robert Kuhlmann, Tel. (718) 391-2145

1. NYCDEP Water Main Standard Drawings, November 2010
2. Specifications for Trunk Main Work, July 2014
3. Standards for Green Infrastructure, latest version, available only on-line at:

http://www.nyc.gov/html/dep/html/stormwater/green_infrastructure_standards.shtml

Water main work material specifications are available at the Department of Environmental Protection, 59-17 Junction Boulevard, 3rd Floor Low-Rise Building, Flushing, N.Y. 11373-5108.

Contact: Mr. Tarlock Sahansra, P.E., Tel. (718) 595-5302
E-mail: TSAHANSRA@DEP.NYC.GOV

SPECIFICATIONS AND STANDARDS OF NEW YORK CITY

Standard Specifications and Drawings for New York City Fire Department Communications facilities are available from the FDNY Facilities Management Bureau, Plant Operations Engineering, 316 Sgt. Beers Avenue Cluster 1 Box 16, Fort Totten, N.Y. 11359.

Contact: Mr. Ed Durkin, Tel. (718) 281-3933

Tree Planting Standards of the City of New York Parks & Recreation are available at the following Department of Parks & Recreation website:
<http://www.nycgovparks.org/pagefiles/53/Tree-Planting-Standards.pdf>

SPECIFICATIONS AND STANDARDS OF PRIVATE UTILITIES

The Following reference document for Private Utility Work is available for pick up between 8:30 A.M. and 4:00 P.M. at 30-30 Thomson Avenue, First Floor Bid Procurement Room, L.I.C., N.Y. 11101.

1. CET SPECIFICATIONS AND SKETCHES dated November 2010

SCHEDULE A**(GENERAL CONDITIONS TO CONSTRUCTION CONTRACT
(INCLUDING GENERAL CONDITIONS RELATED TO ARTICLE 22 – INSURANCE)****PART I. REQUIRED INFORMATION**

<p align="center"><u>INFORMATION FOR BIDDERS SECTION 26 BID SECURITY</u></p> <p>The Contractor shall obtain a bid security in the amount indicated to the right.</p>	<p>Required provided the TOTAL BID PRICE set forth on the Bid Form is \$1,000,000. or more.</p> <p>Certified Check: 2% of Bid Amount or Bond: 10% of Bid Amount</p>
<p align="center"><u>INFORMATION FOR BIDDERS SECTION 26 PERFORMANCE AND PAYMENT BONDS</u></p> <p>The Contractor shall obtain performance and payment bonds in the amount indicated to the right.</p>	<p>Required for contracts in the amount of \$1,000,000 or more.</p> <p>Performance Security and Payment Security shall each be in an amount equal to 100% of the Contract Price.</p>
<p align="center"><u>INFORMATION FOR BIDDERS DEPARTMENT OF DESIGN AND CONSTRUCTION SAFETY REQUIREMENTS</u></p> <p>The Contractor shall provide the safety personnel as indicated to the right.</p>	<p><input checked="" type="checkbox"/> Project Safety Representative</p> <p><input type="checkbox"/> Dedicated, full-time Project Safety Manager</p>
<p align="center"><u>CONTRACT ARTICLE 14 DATE FOR SUBSTANTIAL COMPLETION</u></p> <p>The Contractor shall substantially complete the Work in the number of calendar days indicated to the right.</p>	<p>See Page SA-4</p>
<p align="center"><u>CONTRACT ARTICLE 15 LIQUIDATED DAMAGES</u></p> <p>If the Contractor fails to substantially complete the Work within the time fixed for substantial completion plus authorized time extensions or if the Contractor, in the sole determination of the Commissioner, has abandoned the Work, the Contractor shall pay to the City the amount indicated to the right.</p>	<p>For Each Consecutive Calendar Day Over Completion Time Specified on Each Issued Work Order: <u>\$2500.00</u></p>
<p align="center"><u>CONTRACT ARTICLE 17. SUB-CONTRACTOR</u></p> <p>The Contractor shall not make subcontracts totaling an amount more than the percentage of the total Contract price indicated to the right.</p>	<p>Not to exceed <u>35</u> % of the Contract price</p>

<p align="center"><u>CONTRACT ARTICLE 21.</u> <u>RETAINAGE</u></p> <p>The Commissioner shall deduct and retain until the substantial completion of the Work the percent value of the Work indicated to the right.</p>	<p><u>5 %</u> of the value of the Work</p>
<p align="center"><u>CONTRACT ARTICLE 22.</u> <u>(Per Directions Below)</u></p>	<p>See pages SA-5 through SA-12</p>
<p align="center"><u>CONTRACT ARTICLE 24.</u> <u>DEPOSIT GUARANTEE</u></p> <p>As security for the faithful performance of its obligations, the Contractor, upon filing its requisition for payment on Substantial Completion, shall deposit with the Commissioner a sum equal to the percentage of the Contract price indicated to the right.</p>	<p>1% of Contract price</p>
<p align="center"><u>CONTRACT ARTICLE 24.</u> <u>PERIOD OF GUARANTEE</u></p> <p>Periods of maintenance and guarantee other than the period set forth in Article 24.1 are indicated to the right.</p>	<p>Eighteen (18) Months, excluding Trees</p> <p>Twenty-four (24) Months for Tree Planting</p>
<p align="center"><u>CONTRACT ARTICLE 74.</u> <u>STATEMENT OF WORK</u></p> <p>The Contractor shall furnish all labor and materials and perform all Work in strict accordance with the Contract Drawings, Specifications, and all Addenda thereto, as shown in the column to the right.</p>	<p>Addenda, numbered:</p> <p align="center"><u>3</u></p>
<p align="center"><u>CONTRACT ARTICLE 75.</u> <u>COMPENSATION TO BE PAID TO CONTRACTOR</u></p> <p>The City shall pay and the Contractor shall accept in full consideration for the performance of the Contract, subject to additions and deductions as provided herein, the total sum shown in the column to the right, being the amount at which the Contract was awarded to the Contractor at a public letting thereof, based upon the Contractor's bid for the Contract.</p>	<p>Amount for which the Contract was Awarded:</p> <p><u>Nine million, Seven hundred forty-five thousand, nine hundred seventy-nine</u> Dollars <i>and seventy-one cent</i></p> <p>(\$ <u>9,745,979.71</u>)</p>
<p align="center"><u>CONTRACT ARTICLE 79.</u> <u>PARTICIPATION BY MINORITY-OWNED AND WOMEN-OWNED BUSINESS ENTERPRISES IN CITY PROCUREMENT</u></p>	<p>See M/WBE Utilization Plan in the Bid Booklet</p>

<p align="center"><u>STANDARD HIGHWAY SPECIFICATIONS</u> <u>SECTION 6.40</u> <u>LIQUIDATED DAMAGES FOR ENGINEER'S FIELD OFFICE</u></p> <p>If the Contractor fails to satisfactorily provide the field office and all equipment specified in Section 6.40 - Engineer's Field Office, and/or if a cited deficiency exceed seventy two (72) hours after notice from the Engineer in writing, or is permitted to recur, liquidated damages will be assessed in the amount specified herein for each subsequent calendar day or part thereof that a cited deficiency resulting in nonpayment, as described in Section 6.40.5, is not corrected.</p>	<p>\$ <u>500.00</u> for each calendar day of deficiency</p>
<p align="center"><u>STANDARD HIGHWAY SPECIFICATIONS</u> <u>SECTION 6.70</u> <u>LIQUIDATED DAMAGES FOR MAINTENANCE AND PROTECTION OF TRAFFIC</u></p>	<p>\$ <u>250.00</u> for each instance of failure to comply with the Maintenance and Protection of Traffic requirements within three (3) hours after written notice from the Engineer.</p> <p>\$ <u>500.00</u> for each and every hour of failing to open the entire width of roadway to traffic the morning following a night/weekend work operation.</p>
<p align="center"><u>STANDARD HIGHWAY SPECIFICATIONS</u> <u>SECTION 7.13</u> <u>LIQUIDATED DAMAGES FOR MAINTENANCE OF SITE</u></p> <p>If the Contractor fails to comply, within three (3) consecutive hours after written notice from the Engineer, with the requirements of Section 7.13 - Maintenance of Site, the Contractor shall pay to the City of New York, until such notice has been complied with or rescinded, the sum specified above per calendar day, for each instance of such failure, as liquidated damages and not as a penalty, for such default.</p>	<p>\$ <u>500.00</u> for each calendar day, for each occurrence</p>

Date for Substantial Completion (Reference: Article 14)

The Contractor shall substantially complete the Work within the Final Contract Duration determined in accordance with the terms and conditions set forth herein.

The Base Contract Duration for this project is 910 consecutive calendar days ("ccds").

The Final Contract Duration shall be the Base Contract Duration when a check mark is indicated before the word "NO", below, and shall be the Base Contract Duration adjusted by the table set forth below when a check mark is indicated before the word "YES", below.

YES NO

When the Final Contract Duration is indicated above to be adjusted by the table below, the table may increase the Base Contract Duration depending on the date of scheduled substantial completion to avoid a scheduled substantial completion of the Work during the winter months. The date of scheduled substantial completion shall be determined by adding the Base Contract Duration to the date specified to commence work in the written Notice to Proceed. The Final Contract Duration shall then be determined as follows:

- (a) Find the row that corresponds to the month of substantial completion based on the Base Contract Duration added to the date specified to commence work in the written Notice to Proceed.
- (b) Find the number of days to be added to the Base Contract Duration in the table below. Add that number of days to the Base Contract Duration to obtain the Final Contract Duration in consecutive calendar days.

Month of Substantial Completion based on the Base Contract Duration	Number of Days of adjustment
January	150
February	120
March	90
April	60
May	30
June	0
July	0
August	0
September	0
October	0
November –December 15	0
December 16 – December 31	180

In addition, should Item No. 9.30, "Storm Water Pollution Prevention," exist in the Contract and the required Storm Water Pollution Prevention Plan (SWPPP) does not conform to NYSDEC's recommended Standards, an additional 60 ccd shall be added to the above Final Contract Duration.

(GENERAL CONDITIONS RELATING TO ARTICLE 22 – INSURANCE)

PART II. TYPES OF INSURANCE, MINIMUM LIMITS AND SPECIAL CONDITIONS

Note: All certificate(s) of insurance submitted pursuant to Contract Article 22.3. 3 must be accompanied by a Certification by Broker consistent with Part III below and include the following information:

- For each insurance policy, the name and NAIC number of issuing company, number of policy, and effective dates;
- Policy limits consistent with the requirements listed below;
- Additional insureds or loss payees consistent with the requirements listed below; and
- The number assigned to the Contract by the City (in the “Description of Operations” field).

Insurance indicated by a blackened box (■) or by X in a □ to left will be required under this contract

Types of Insurance (per Article 22 in its entirety, including listed paragraph)	Minimum Limits and Special Conditions
<p>■ Commercial General Liability Art. 22.1.1</p>	<p>The minimum limits shall be \$ <u>3,000,000</u> per occurrence and \$ <u>6,000,000</u> per project aggregate applicable to this Contract.</p> <p>Additional Insureds:</p> <ol style="list-style-type: none"> 1. City of New York, including its officials and employees, with coverage at least as broad as ISO Form CG 20 10 and CG 20 37, 2. All person(s) or organization(s), if any, that Article 22.1.1(b) of the Contract requires to be named as Additional Insured(s), with coverage at least as broad as ISO Form CG 20 26. The Additional Insured endorsement shall either specify the entity’s name, if known, or the entity’s title (e.g., Project Manager), 3. National Grid

<ul style="list-style-type: none"> <input checked="" type="checkbox"/> Workers' Compensation Art. 22.1.2 <input checked="" type="checkbox"/> Disability Benefits Insurance Art. 22.1.2 <input checked="" type="checkbox"/> Employers' Liability Art. 22.1.2 <input type="checkbox"/> Jones Act Art. 22.1.3 <input type="checkbox"/> U.S. Longshoremen's and Harbor Workers Compensation Act Art. 22.1.3 	<p>Workers' Compensation, Employers' Liability, and Disability Benefits Insurance: Statutory per New York State law without regard to jurisdiction.</p> <p>Note: The following forms are acceptable: (1) New York State Workers' Compensation Board Form No. C-105.2, (2) State Insurance Fund Form No. U-26.3, (3) New York State Workers' Compensation Board Form No. DB-120.1 and (4) Request for WC/DB Exemption Form No. CE-200. The City will not accept an ACORD form as proof of Workers' Compensation or Disability Insurance.</p> <p>Jones Act and U.S. Longshoremen's and Harbor Workers' Compensation Act: Statutory per U.S. Law.</p> <p><input type="checkbox"/> Additional Requirements:</p>
<ul style="list-style-type: none"> <input type="checkbox"/> Builders' Risk Art. 22.1.4 	<p><input type="checkbox"/> Required: 100% of total bid amount</p> <p><input type="checkbox"/> Required: 100 % of total bid amount for Item(s):</p> <p>Contractor the Named Insured; the City both an Additional Insured and one of the loss payees as its interests may appear.</p> <p>If the Work does not involve construction of a new building or gut renovation work, the Contractor may provide an installation floater in lieu of Builders Risk insurance.</p> <p>Note: Builders Risk Insurance may terminate upon Substantial Completion of the Work in its entirety.</p>

<p><input checked="" type="checkbox"/> Commercial Auto Liability Art. 22.1.5</p>	<p>\$ <u>2,000,000</u> per accident combined single limit</p> <p>If vehicles are used for transporting hazardous materials, the Contractor shall provide pollution liability broadened coverage for covered vehicles (endorsement CA 99 48) as well as proof of MCS 90</p> <p>Additional Insureds:</p>
<p><input type="checkbox"/> Contractors Pollution Liability Art. 22.1.6</p>	<p>\$ <u>5,000,000</u> per occurrence \$ <u>5,000,000</u> aggregate</p> <p>Additional Insureds: 1. City of New York, including its officials and employees, and 2. _____ 3. _____</p>
<p><input type="checkbox"/> Marine Protection and Indemnity Art. 22.1.7(a)</p>	<p>\$ _____ each occurrence \$ _____ aggregate</p> <p>Additional Insureds: 1. City of New York, including its officials and employees, and 2. _____ 3. _____</p>
<p><input type="checkbox"/> Hull and Machinery Insurance Art. 22.1.7(b)</p>	<p>\$ _____ per occurrence \$ _____ aggregate</p> <p>Additional Insureds: 1. City of New York, including its officials and employees, and 2. _____ 3. _____</p>

<p><input type="checkbox"/> Marine Pollution Liability Art. 22.1.7(c)</p>	<p>\$ <u>1,000,000</u> per occurrence</p> <p>\$ <u>1,000,000</u> aggregate</p> <p>Additional Insureds:</p> <ol style="list-style-type: none"> 1. City of New York, including its officials and employees, and 2. _____ 3. _____
<p>[OTHER] Art. 22.1.8</p> <p><input type="checkbox"/> Railroad Protection Liability Policy</p> <p>(ISO-RIMA or equivalent form) approved by Permittor covering the work to be performed at the designated site and affording protection for damages arising out of bodily injury or death, physical damage to or destruction of property, including damage to the Insured's own property and conforming to the following:</p> <ul style="list-style-type: none"> • Policy Endorsement CG 28 31 - Pollution Exclusion Amendment is required to be endorsed onto the policy when environmental-related work and/or exposures exist. • Indicate the Name and address of the Contractor to perform the work, the Contract # and the name of the railroad property where the work is being performed and the Agency Permit. • Evidence of Railroad Protective Liability Insurance, must be provided in the form of the <u>Original Policy</u>. A detailed <u>Insurance Binder (ACORD or Manuscript Form)</u> will be <u>accepted pending issuance of the Original Policy, which must be provided within 30 days of the Binder Approval.</u> 	<p>\$ <u>2,000,000</u> per occurrence</p> <p>\$ <u>6,000,000</u> annual aggregate</p> <p>Named Insureds:</p> <ol style="list-style-type: none"> 1. New York City Transit Authority (NYCTA), the Manhattan and Bronx Surface Transit Operation Authority (MaBSTOA), the Staten Island Rapid Transit Operation Authority (SIRTOA), MTA Capital Construction Co., the Metropolitan Transportation Authority (MTA) including its subsidiaries and affiliates, and the City of New York (as Owner) and all other indemnified parties.

[OTHER]

Art. 22.1.8

Professional Liability

- A. The Contractor’s Professional Engineer shall maintain and submit evidence of Professional Liability Insurance in the minimum amount of \$1,000,000 per claim. The policy or policies shall include an endorsement to cover the liability assumed by the Contractor under this Contract arising out of the negligent performance of professional services or caused by an error, omission or negligent act of the Contractor’s Professional Engineer or anyone employed by the Contractor’s Professional Engineer.
- B. Claims-made policies will be accepted for Professional Liability Insurance. All such policies shall have an extended reporting period option or automatic coverage of not less than two (2) years. If available as an option, the Contractor’s Professional Engineer shall purchase extended reporting period coverage effective on cancellation or termination of such insurance unless a new policy is secured with a retroactive date, including at least the last policy year.

[OTHER]

Art. 22.1.8

Engineer’s Field Office
Section 6.40, Standard Highway Specifications

Fire insurance, extended coverage and vandalism, malicious mischief and burglary, and theft insurance coverage in the amount of \$40,000

[OTHER]

Art. 22.1.8

The Following Additional Insurance Must Be Provided:

Umbrella/Excess Liability Insurance - The Contractor shall provide Umbrella/Excess Liability Insurance in the minimum amount of \$10,000,000 per Occurrence and \$10,000,000 in Aggregate. The policy terms and condition should be at least as broad as the underlying policies. The underlying policies should comply with the insurance provision as outlined by the contract. Defense cost should be in addition to the limit of liability. The City of New York, including its officials and employees, should be included as additional insured as respects to the noted project.

SCHEDULE A
(GENERAL CONDITIONS TO CONSTRUCTION CONTRACT)
(GENERAL CONDITIONS RELATING TO ARTICLE 22 – INSURANCE)

PART III. CERTIFICATES OF INSURANCE

All certificates of insurance (except certificates of insurance solely evidencing Workers' Compensation Insurance, Employer's Liability Insurance, and/or Disability Benefits Insurance) must be accompanied by one of the following:

- (1) the Certification by Insurance Broker or Agent on the following page setting forth the required information and signatures;

-- OR --

- (2) copies of all policies as certified by an authorized representative of the issuing insurance carrier that are referenced in such certificate of insurance. If any policy is not available at the time of submission, certified binders may be submitted until such time as the policy is available, at which time a certified copy of the policy shall be submitted.

SCHEDULE A

(GENERAL CONDITIONS TO CONSTRUCTION CONTRACT)

PART IV. ADDRESS OF COMMISSIONER

Wherever reference is made in Article 7 or Article 22 to documents to be sent to the **Commissioner** (e.g., notices, filings, or submissions), such documents shall be sent to the address set forth below or, in the absence of such address, to the **Commissioner's** address as provided elsewhere in this **Contract**.

DDC Director, Insurance Risk Manager

30 – 30 Thomson Avenue, 4th Floor (IDCNY Building)

Long Island City, NY 11101

(NO FURTHER TEXT ON THIS PAGE)

REVISIONS TO STANDARD SPECIFICATIONS

NOTICE

The Specification Bulletin(s) ("SB(s)") referenced in this Section (R-Pages) may consist of revisions to the following Standard Specifications:

- New York City Department of Transportation ("NYC DOT") Standard Highway Specifications, dated 8/1/2015;
- New York City Department of Environmental Protection ("NYC DEP") Standard Sewer and Water Main Specifications, dated 7/1/2014; and
- NYC DEP Specifications for Trunk Main Work, dated 7/2014.

The SB(s) modify and supersede portions of the applicable Standard Specifications. The provisions contained in this Contract's I-Pages, S-Pages and SW-Pages may further modify the applicable Standard Specifications.

The following SB(s) are included as part of this contract:

- SB 16-001 – REVISIONS TO THE NYC DOT STANDARD HIGHWAY SPECIFICATIONS.
- SB 16-002 – REVISIONS TO THE NYC DEP STANDARD SEWER AND WATER MAIN SPECIFICATIONS.
- SB 17-001 – UV CURED-IN-PLACE-PIPE (CIPP) LINING METHOD
- SB 17-002 – RODENT AND WATERBUG PEST CONTROL
- SB 17-003 – ENGINEERS FIELD OFFICE
- SB 17-004 – FIRE DEPARTMENT FACILITIES
- SB 17-005 – DIGITAL PHOTOGRAPHS
- SB 17-006 – RECORDS OF SUBSURFACE STRUCTURES
- SB 17-007 – MOBILIZATION
- SB 17-008 – QUALIFICATION CARDS
- SB 17-009 – SALVAGEABLE MATERIALS
- SB 17-010 – MILLED ASPHALTIC CONCRETE AGGREGATE
- SB 17-011 – DETECTABLE WARNING UNIT COLOR

- SB 17-012 – TEMPORARY HOUSE CONNECTION MATERIAL

The SB(s) are available online at:

<http://www1.nyc.gov/site/ddc/resources/specification-bulletins.page> or for pickup between 8:00 AM and 4:00 PM at 30-30 Thomson Avenue, 3rd Floor, Division of Infrastructure, Long Island City, NY 11101. Contacts:

- Mr. Richard Jones, (718) 391-1417
- Mr. Salman Macktoom, (718) 391-2041

(NO FURTHER TEXT THIS PAGE)

NOTICE

The Standard Sewer And Water Main Specifications of the Department of Environmental Protection (dated July 1, 2014), Sewer Design Standards of the Department of Environmental Protection (dated (September 2007) Revised January 2009), Water Main Standard Drawings of the Department of Environmental Protection (latest revisions), Specifications For Trunk Main Work of the Department of Environmental Protection (dated July 2014) and the Standard Highway Specifications (Volumes I and II) of the Department of Transportation (dated August 1, 2015) of The City of New York, shall be included as part of the contract documents. These said specifications and standard drawings are hereby revised under the following section headings:

- A. NOTICE TO BIDDERS
- B. AMENDMENTS TO THE STANDARD SEWER AND WATER MAIN SPECIFICATIONS
- C. AMENDMENTS TO THE SPECIFICATIONS FOR TRUNK MAIN WORK

(NO TEXT ON THIS PAGE)

A. NOTICE TO BIDDERS

- (1) The Contractor is notified that a Notice To Proceed (NTP) date will be issued for work to commence within twenty-one (21) to thirty (30) days of Contract Registration.
- (2) The Contractor shall furnish, install, maintain and subsequently remove temporary Protective Tree Barriers. Protective Tree Barriers shall be Type B, unless otherwise directed by the Engineer, and shall be constructed and installed as shown on the Protective Tree Barrier sketch in Department Of Transportation, Standard Highway Details Of Construction, Drawing No. H-1046A, as directed by the Engineer, and in accordance with Department of Parks and Recreation requirements.
- (3) All utility locations and invert elevations are not guaranteed, nor is there any guarantee that all existing utilities, whether functional or abandoned within the project area are shown.
- (4) All existing house connections shall be maintained and supported during construction. The Contractor shall replace any existing house connection damaged as a result of the Contractor's construction operations as ordered by the Engineer at no cost to the City.
- (5) The Contractor is advised that any City owned light poles, traffic signals, street name signs, traffic signs and encumbrances including, but not limited to, underground conduit displaced as the result of the installation of the new sewers, water mains, catch basins, catch basin connections and appurtenances shall be replaced in kind and as directed by the Engineer. The cost of such work shall be deemed included in the prices bid for all items of work under this contract.
- (6) The Contractor is notified that Victaulic Style 77 Coupling is no longer acceptable for use in any steel water main work. All reference to Victaulic Style 77 Coupling within the Standard Sewer And Water Main Specifications of the Department of Environmental Protection (dated July 1, 2014), the Water Main Standard Drawings of the Department of Environmental Protection (latest revisions), the Specifications For Trunk Main Work (dated July 2014), and the contract drawings, shall be replaced with Bolted Split-Sleeve Restrained Coupling.
- (7) The Contractor is notified that wherever the Item No. "6.52" and words "flagger", "flagperson" and "flagman" are used in the contract documents and drawings it shall mean the Item No. "6.52 CG" and the words "Crossing Guard", respectively. The Contractor is advised that until the Comptroller of the City of New York sets a prevailing wage rate for crossing guards, there are no prevailing wage rates for crossing guards.
- (8) The Contractor is notified that the fuel cost per gallon used in the formula under **Sub-Article 26.2.8** of the Standard Construction Contract for **Extra Work** will be derived from the fuel price index for the United States East Coast published weekly by the United States Energy Information Administration ("USEIA"), and available on its website at <http://www.eia.gov/petroleum/gasdiesel/> . The USEIA published cost per gallon for the applicable fuel on the East Coast for the week in which the first day of each calendar quarter during the contract term occurs (i.e., January 1st, April 1st, July 1st and September 1st) will be used in the reimbursement formula for all **Extra Work** invoiced that was performed during that calendar quarter. Should the USEIA stop publishing this fuel price index, the fuel cost per gallon will be determined by reference to a substitute index to be agreed upon by the Contractor and the City.
- (9) The Contractor is responsible for any damage to the existing street and traffic signal equipment, including underground conduits and the safety of both pedestrian and vehicular traffic for the duration of the contract.

Should any conduits, cables or foundations need repair due to the Contractor's negligent operations during construction, all work shall be performed according to NYCDOT Bureau of Traffic's Standard Drawings and Specifications at the sole expense of the Contractor.

It is the Contractor's responsibility to secure an approved electrical contractor to perform all traffic signal work (if any). For list of approved electrical contractors, contact Mr. Michael R. LeFosse of New York City Department of Transportation at (212) 839-3799.

- (10) The Contractor is advised that where the existing roadway pavement is designated to be replaced from curb to curb, then no full depth saw cutting of pavement for sewer and water main trenches will be required, except at the limits of full width pavement restoration. No separate or additional payment will be made for any saw cutting except for the streets specified in the Specific Pavement Restoration Provisions.
- (11) The Contractor is notified that at some locations, existing sewers, manholes, water mains, etc. which are to remain undisturbed are in close proximity to the line of the proposed work. The Contractor shall exercise extreme care, minimize the trench width of the proposed water main and take all necessary precautions in placing sheeting and during excavation of the trenches to prevent damage to the existing city-owned structures that are to remain undisturbed. Any damage to existing city-owned structures caused by the Contractor's construction operations shall be repaired or replaced as directed by the Engineer. The cost of such repair or replacement shall be borne solely at the Contractor's own expense.
- (12) The Contractor is advised that the Department of Design and Construction has contacted The United States Army Corps of Engineers pertaining to required permits needed to perform the proposed modification work on the specified outfalls. It shall be the Contractor's responsibility to pursue and obtain such permits and no work shall commence until the above-mentioned Permits have been obtained for this project by the Contractor. As the application is being processed, it shall be the Contractor's responsibility to obtain and update the said permits. No additional or separate payment shall be made to the Contractor for complying with the above requirements, obtaining and updating of said permits. The cost of such work shall be deemed included in all items for which there are bid prices under this contract.
- (13) The Contractor is advised that the Department of Design and Construction is in the process of filing permit application with the New York State Department of Environmental Conservation (NYSDEC), under the Environmental Conservation Law, Article 15 for Temporary Well Point Permit Application and Article 25 Tidal Wetlands. No work shall commence until the above-mentioned Permits have been obtained for this project by the Contractor. As the application is being processed, it shall be the Contractor's responsibility to obtain and update the said permits. No additional or separate payment shall be made to the Contractor for complying with the above requirements, obtaining and updating of said permits. The cost of such work shall be deemed included in all items for which there are bid prices under this contract.
- (14) The Contractor is advised that the Department of Design and Construction is in the process of filing permit application with the New York State Department of State (NYS DOS); Coastal Management Program Consistency Determination. No work shall commence until the above-mentioned Permits have been obtained for this project by the Contractor. As the application is being processed, it shall be the Contractor's responsibility to obtain and update the said permits. No additional or separate payment shall be made to the Contractor for complying with the above requirements, obtaining and updating of said permits. The cost of such work shall be deemed included in all items for which there are bid prices under this contract.
- (15) The Contractor is advised that the Department of Design and Construction is in the process of filing permit application with the New York State Department of City Planning (NYSDCP); Water Revitalization Program, Consistency Determination. No work shall commence until the above-mentioned Permits have been obtained for this project by the Contractor. As the application is being processed, it shall be the Contractor's responsibility to obtain and update the said permits. No additional or separate payment shall be made to the Contractor for complying with the above requirements, obtaining and updating of said permits. The cost of such work shall be deemed included in all items for which there are bid prices under this contract.
- (16) The Contractor is advised that the existing 12" storm sewers in 162nd Avenue between Outfall and 95th Street to be removed, are lower than the proposed 60"Wx38"H R.C.P. Class HE-III storm sewer.

DATED: SEPTEMBER 18, 2017

PROJECT ID.: SEQ200490

It might be necessary for the Contractor to excavate below the subgrade of the said proposed 60"Wx38"H R.C.P. Class HE-III storm sewer to remove all existing storm sewers including cradle or encasement as directed by the Engineer in order to accommodate the installation of the proposed 60"Wx38"H R.C.P. Class HE-III storm sewer on piles. After the removal of the said storm sewers, the Contractor shall satisfactorily fill and compact the affected area in accordance with the specifications, up to the subgrade of the proposed 60"Wx38"H R.C.P. Class HE-III storm sewer. No separate or additional payment will be made for the above work, including but not limit to, investigations, removal of the said storm sewers, labor, materials, equipments, insurance etc., and incidentals required to complete the work. The cost shall be deemed included in the prices bid for all items of work.

B. AMENDMENTS TO THE STANDARD SEWER AND WATER MAIN SPECIFICATIONS

- (1) **Refer to Subsection 10.15 - Notice To Utility Companies, Etc., To Remove Structures Occupying Place Of Sewers, Water Mains Or Appurtenances, Page I-11:**

Add the following to **Subsection 10.15:**

(1) CONSOLIDATED EDISON COMPANY OF NEW YORK (CON EDISON)

There are CON EDISON facilities in the area of construction. The Contractor shall notify CON EDISON at least seventy-two (72) hours prior to the start of construction by contacting Mr. O'Neil A Wright at (212) 460-3870.

(2) VERIZON

There are VERIZON facilities in the area of construction. The Contractor shall notify VERIZON at least seventy-two (72) hours prior to the start of construction by contacting Mr. Aubrey Makhanlall at (718) 977-8165.

(3) SPECTRUM

There are SPECTRUM facilities in the area of construction. The Contractor shall notify SPECTRUM at least seventy-two (72) hours prior to the start of construction by contacting Mr. John Piazza at (718) 888-4261.

- (2) **Refer to Subsection 10.21 - Contractor To Notify City Departments, Page I-13:**

Add the following to **Subsection 10.21:**

(1) N.Y.C. D.E.P., BUREAU OF WATER AND SEWERS OPERATIONS

The Contractor shall notify Mr. Peter Gordon, P.E., Chief, Linear Capital Program Management Division at the Department of Environmental Protection, 59-17 Junction Blvd., 3rd floor low rise, Corona N.Y. 11368, at least thirty (30) days prior to the start of construction.

(2) NEW YORK CITY FIRE DEPARTMENT

The Contractor shall notify the Bureau of Fire Communications at least thirty (30) days prior to the start of construction by contacting Mr. Ed Durkin at (718) 281-3933.

(3) N.Y.C. DEPARTMENT OF TRANSPORTATION

The Contractor shall notify Mr. Michael Lofesse/ Ghanshyam Patel, Signal/Street Lighting Operations, 34-02 Queens Blvd., Long Island City, N.Y. 11101 at (212)-839-3799 / (212)-839-3359, at least seventy-two (72) hours prior to the start of construction.

(4) N.Y.C. DEPARTMENT OF PARKS AND RECREATION

The Contractor shall notify the Parks Department at least seventy-two (72) hours prior to the start of construction by contacting Mr. Daniel Grulich at (718) 760-6927.

(3) **Refer** to **Subsection 10.30 - Contractor To Provide For Traffic**, Page I-15:

Add the following to **Subsection 10.30**:

(1) Traffic Stipulations:

The Contractor shall refer to the Traffic Stipulations (four (4) pages) that are attached to the end of this section, and as directed by the Engineer.

(4) **Refer** to **Subsection 40.02.15 - Disposal Of Water From Trenches**, Page IV-9:

Add the following to **Subsection 40.02.15**:

(A) The Department of Design and Construction has **not** filed application for Dewatering Permit with the New York State Department of Conservation (NYSDEC), under the Environmental Conservation Law (ECL), Title 15 of Article 15, for a Temporary Well Point System Permit. However, it is anticipated that the criteria for rate of pumping specified here before in this section will be exceeded in areas of construction; the Contractor shall be responsible for applying and obtaining the necessary dewatering permit prior to the dewatering of trenches within the scope of this project.

As part of the permit application the Contractor will be required to comply with all the requirements of **Section 40.14** of this addendum.

Copies of all materials submitted to NYSDEC shall be sent to the New York City Department of Design and Construction (NYCDDC), Infrastructure/Design.

The following minimum requirements set forth by the New York Department of Environmental Conservation shall be complied with prior to the start of work in areas of construction requiring dewatering permit:

- (1) An analysis must be made of water samples taken. The results are to be submitted to the Regional Permit Administrator. An analysis shall be made for BOD, salinity, oil, and grease. The samples shall be analyzed by a laboratory certified by the New York State Health Department and the results are to be submitted directed to the New York State Department of Environmental Conservation by the laboratory.
- (2) Prior to setting any wells, wellpoints or header pipes, the Contractor shall submit to the NYSDEC a layout of the complete dewatering system including the location of the discharge point. When permitted by the NYSDEC, discharge of groundwater on the beach areas shall be done in such a manner as to eliminate any erosion or siltation and will require the installation of splash blocks and/or settling basins.

The Contractor is advised that all work required in obtaining a permit, must be submitted to, and approved by the NYSDEC prior to the commencement of any work in areas of construction requiring dewatering permit. No payment for any item of work will be made, and no shop drawing shall be approved for the areas of construction until such time that a written approval is obtained from the NYSDEC.

(B) The Contractor is advised that all work shall be governed by the provisions and requirements of the obtained permit, and their said provisions and requirements shall be made a part of the contract and the Contractor shall be responsible for strict adherence thereto.

The cost of all work required for applying, complying and obtaining required dewatering permits including the cost for any required updating of permits shall be deemed included in the prices bid for all item of this contract. No additional or separate payment will be made for any work required in order to comply with these requirements.

- (5) Refer to Page IV-34:
Add the following new **Section 40.14**:

**SECTION 40.14
DEWATERING PERMITS**

40.14.1 DESCRIPTION

Under this contract, and at locations where groundwater will be present in the trenches and excavations, the Contractor is required to install, maintain and operate a temporary dewatering system of sufficient size and capacity to control ground and surface water flow into the excavation and to allow all work to be accomplished in the "dry condition".

The Contractor shall be required to obtain the following permits in order to operate a temporary dewatering system.

- (A) A Dewatering/Discharge Permit from the New York City Department of Environmental Protection (NYCDEP);
- (B) A Long Island Well Permit from the New York State Department of Environmental Conservation (NYSDEC), under the Environmental Conservation Law (ECL), Title 15 of Article 15, implemented by 6NYCRR Part 601 - Water Supply and Part 602 - Long Island Well. This permit is required only in the Boroughs of Brooklyn and Queens to withdraw water using a well point or deep well system where the total capacity of such well or wells is in excess of 45-gallons per minute (or 64,800-gallons per day); and,
- (C) An Industrial State Pollutant Discharge Elimination System (SPDES) or a Non-Jurisdictional Determination Letter in compliance with Title 8 and 7 of Article 17 of the Environmental Conservation Law of New York State, respectively.

The Contractor is advised that the provisions and requirements of the aforementioned permits shall govern all work, and the said provisions and requirements are hereby made a part of the sewer contract and the Contractor shall be responsible for strict adherence thereto.

No dewatering work shall commence until the above-mentioned Permits have been obtained for this project.

The Contractor is advised that in order to comply with all the permits requirements, the Contractor will be required to submit maps, test data, etc. prior to the start of work. In order to expedite the processing of the permit and its requirements, the Contractor shall be required to obtain the services of an independent Environmental Scientist as herein described below in **Subsection 40.14.2** to perform this work and act as liaison with NYSDEC and NYCDEP.

40.14.2 QUALIFICATIONS

The Environmental Scientist utilized to perform the work required under this section must have adequate experience in work of this nature (obtaining Long Island Well Permit/Dewatering Permit) and must have previous experience in working with the NYSDEC and the NYCDEP, designing equivalent dewatering systems, and have successfully obtained the type of permits required under this contract. Prior to the start of work, the Contractor will be required to submit the name and resume of the Environmental Scientist for approval.

40.14.3 NYSDEC DEWATERING PERMITS

The dewatering system shall be designed by the Environmental Scientist using accepted and professional methods of design and engineering consistent with the best modern practices.

The material to be submitted shall include, but not be limited to the following:

- (1) Site Plan - Scaled, showing construction activity (e.g. excavation, pathway of the pipe, new outfalls, etc.) locations of well points, header pipes and pumps, and all staging and storage areas.

Also included herein shall be a layout of the complete dewatering system including the location of the discharge point. When permitted by the NYSDEC, discharge of groundwater on beach areas shall be done in such a manner as to prevent any erosion or siltation and will require the design and installation of splash blocks and/or settling basins.

- (2) Dewatering System Specifications:

- | | |
|-------------------------------|-----------------------------|
| (a) Number of Well Points | (h) Total Volume Pumped |
| (b) Diameter of Well Points | (i) Number of Pumps |
| (c) Spacing of Well Points | (j) Capacity of Pumps |
| (d) Length to Screen | (k) Duration of Pumping |
| (e) Depth to Bottom of Screen | (l) Initial and Average GPM |
| (f) Static Water Level | (m) Estimated Daily Pumpage |
| (g) Drawdown Required | (n) Flow Meter |

- (3) Cross Section - Scaled, showing well points, riser, header, annular material (if used) and other equipment associated with each point. A typical construction style drawing may be utilized. Should the Contractor be permitted to use a deep well system, all information regarding it must be submitted.

- (4) Drawdown Contour Map - Based upon a review of the surrounding area affected by the dewatering and upon boring within the project area and characteristics of the soils, the depth and pumping rate of dewatering system and the duration of the pumping, the Environmental Scientist shall submit both a narrative and diagram showing the anticipated maximum cone of depression which shall be shown from both above and in cross section on scaled diagrams. Contour lines on diagrams shall be labeled to show depth from land surface.

- (5) Description of Site and Adjacent Areas - A short narrative shall be prepared describing the land use in the area paying attention to any potential sources of groundwater contamination that may migrate into the well's cone of depression, such as gas stations, chemical plants, wrecking yards, sanitary landfills, etc. Latest map of the area shall be included in the narrative.

- (6) Groundwater Analysis - The Environmental Scientist shall develop and submit a sampling and analysis program subject to NYSDEC Approval (a minimum of one groundwater sample from a site well shall be collected and analyzed). A laboratory certified by the New York State Health Department shall analyze the samples. The sampling and analysis program must include but is not limited to the following:

NYSDEC REGION 2 - DEWATERING PROJECTS SAMPLING INFORMATION

NO.	PARAMETERS	TYPE	EPA METHOD	DETECTION
1	pH	Grab	150.1	EPA min
2	Temperature	°F	After Pumping	EPA min
3	Fecal Coliform	Grab	5-Tubes/3-Dilutions	2-MPN/100-ml
4	Oil & Grease	Grab	413.1	EPA min
5	BOD5	Grab	405.1	EPA min
6	Total Suspended Solids	Grab	160.2	EPA min
7	Settleable Solids	Grab	160.5	EPA min
8	Chlorides	Grab	325.1-325.3	EPA min
9	Benzene	Grab	602	EPA min
10	Toluene	Grab	602	EPA min
11	Xylenes	Grab	602	EPA min

12	Ethylbenzene	Grab	602	EPA min
13	PCB's	Grab	608	(See Note 1)
14	Pesticides	Grab	608	EPA min
15	13 Priority Metals	Grab	200 series	EPA min
16	Acids Base/Neutrals	Grab	625-GC/MS	EPA min
17	Halogenated Volatiles	Grab	601-GC	EPA min
18	Nitrate/Nitrite	Grab	300 or 353.3	EPA min
19	Aromatic Volatiles	Grab	602-GC	EPA min
20	Cyanide (total or amenable)	Grab	335.1/335.2	EPA min

NOTE:

- (1) List each individual aroclor found and report the concentration of each aroclor tested. Use the N.Y.S. detection limit, which is 0.065-µg/l.

Small dewatering projects with a total estimated pumped volume up to 15-Million Gallons (MG) require sampling analysis for parameters No.'s 1 through 12.

Medium dewatering projects with a total estimated pumped volume between 15-MG and 60-MG require sampling analysis for parameters No.'s 1 through 14.

Large dewatering projects with a total estimated pumped volume greater than 60-MG require sampling analysis for parameters No.'s 1 through 20.

Samples are to be collected after development of the well by a licensed well driller.

A laboratory certified by the NYS Department of Health must conduct all testing.

Irrespective of the aforementioned sampling requirements based on total estimated pumped volumes, the Department may require sampling of additional parameters if the proposed dewatering site is suspected of being contaminated.

40.14.4 SUBMISSION OF DEWATERING PLAN

The Environmental Scientist will be required to submit two (2) copies of the Dewatering Plan (together with all reports, materials, designs, drawings, maps and plans) to the Infrastructure Engineering Support Unit for review and approval. Once approved the Environmental Scientist shall submit in triplicate the Final Dewatering Plan to both the NYSDEC and the NYCDEP. The Dewatering Plan should be bound and bear the name of the Contractor, NYSDEC Application Number and the Signature of the preparer. All drawings and maps shall be on sheets 27-inches by 40-inches and to scale not less than 1"=30'.

40.14.5 DAMAGES

The Contractor shall be responsible for and shall repair at no cost to the City any damage caused by inadequate or improper design and operation of the dewatering system, and any mechanical or electrical failure of the dewatering system.

40.14.6 SYSTEM REMOVAL

The Contractor shall remove all dewatering equipment and temporary electrical service from the site. All wells shall be removed or cut off a minimum of three (3) feet below the final ground surface and capped. Holes left from pulling wells or wells that are capped shall be grouted in a manner approved by the Engineer.

40.14.7 PAYMENTS

No additional or separate payment will be made for any work described herein. The costs for all labor, materials, equipment, permit fees, samples, tests, reports, services and insurance required or necessary to perform all the work described herein shall be deemed included in the price bid for all items of work.

- (6) **Refer** to **Subsection 71.41.4 - Specific Pavement Restoration Provisions**, Page VII-67:
Add the following to **Subsection 71.41.4**:

(E) Specific Pavement Restoration Provisions:

(1) In the following Streets Requiring Overlay:

1. In 162nd Avenue from Outfall to approximately thirty five (35) feet East of East building line of 97th St.;
2. In 95th Street from approximately thirty five (35) feet South of South building line of 162nd Avenue to approximately ten (10) feet North of North building line of 161st Avenue;
3. In 161st Avenue from approximately thirty (30) feet West of the West building line of 95th Street to the East building line of 96th Street;
4. In 96th Street from approximately ten (10) feet North of the North building line of 161st Avenue to approximately ten (10) feet South of the South building line of 161st Avenue;
5. In 96th Street from approximately two hundred (200) feet North of the South building line of 162st Avenue to approximately forty (40) feet South of the South building line of 162st Avenue

(a) The permanent restoration over the **trench width and cutbacks only** shall consist of a top course of one and one-half (1-1/2) inches of binder mixture on a base course of a minimum of four and one-half (4-1/2) inches of binder mixture, or a top course of a minimum of three (3) inches of binder mixture on a base course of a minimum of six (6) inches of high-early strength concrete, to match the existing pavement as directed by the Engineer.

(b) Finally an overlay of two (2) inches of asphaltic concrete wearing course shall be installed over the entire width of the roadway from **curb to curb** or **edge to edge** of existing roadway.

(2) In All other Streets Not Requiring Overlay:

(a) The permanent restoration over the **trench width and cutbacks only** shall consist of a top course of one and one-half (1½) inches of asphaltic concrete wearing course on a base course of a minimum of four and one-half (4½) inches of binder mixture, or a top course of one and one-half (1½) inches of asphaltic concrete wearing course on a minimum of one and one-half (1½) inches of binder mixture on a base course of a minimum of six (6) inches of concrete, to match the existing pavement as directed by the Engineer.

(3) The following requirements apply:

(a) Before the top course is installed, an additional width of asphalt beyond the edge of new base course shall be saw-cut and removed from all edges of trenches to a depth to accommodate the specified top course and the entire area restored. This additional removal shall be in accordance with paragraph (b) below.

(b) Pavement excavation along with saw cutting of pavements for sewer and water main trenches shall be in accordance with **Section 71.21 - Pavement Excavation** of the Standard Sewer And Water Main Specifications.

- (c) At locations requiring the installation of a concrete base course, a reflective cracking membrane shall be installed over joints prior to restoration, the cost of which shall be deemed included in the prices bid for all pavement restoration items. Additionally, appropriate pavement keys as described below shall be used.
- (d) Pavement keys **Type B-1** shall be used to insure a desired four (4) inch curb reveal (two and one-half (2-1/2) inch absolute minimum). Pavement key **Type A** shall be used in all intersections. Both keys are to be per Bureau of Highways Operations Specifications and Standard Details of Construction.
- (e) Unless otherwise specified, the cost for Proctor analyses, in-place soil density tests, tack coating, eradication of temporary roadway markings, stripping or milling of pavement keys and adjustment of city-owned castings for all roadway work shall be deemed included in the prices bid for all pavement restoration items.
- (f) Payment for placement of temporary pavement marking shall be made under Item No. 6.49 - TEMPORARY PAVEMENT MARKINGS (4" WIDE).
- (g) Payment for removal of existing pavement markings shall be made under Item No. 6.53 - REMOVE EXISTING LANE MARKINGS (4"WIDE).
- (h) Payment for placement of permanent pavement marking with thermoplastic reflectorized pavement markings (crosswalk and lane dividers) shall be made under Item No. 6.44 - THERMOPLASTIC REFLECTORIZED PAVEMENT MARKINGS (4" WIDE).
- (i) Payment for pavement restoration shall be made under the following items:

<u>Item No.</u>	<u>Item</u>	<u>Payment Description</u>
4.02 AB-R	Asphaltic Concrete Wearing Course, 1-1/2" Thick	(For asphaltic concrete wearing course top course when <u>no</u> overlay is required.)
4.02 AF-R	Asphaltic Concrete Wearing Course, 2" Thick	(For 2" asphaltic concrete wearing course overlay from curb to curb or edge to edge.)
4.02 CA	Binder Mixture	(For binder mixture base course over trenches and cutbacks; binder mixture top filler course under asphaltic concrete wearing course when <u>no</u> overlay is required; binder mixture top course when overlay is required; binder mixture in Type A and B Keys; and binder mixture to fill in roadway depressions and to provide a leveling course prior to overlay where ordered.)
4.04 H	Concrete Base For Pavement, Variable Thickness For Trench Restoration, (High-Early Strength)	(For concrete base course over trenches and cutbacks.)

C. AMENDMENTS TO THE SPECIFICATIONS FOR TRUNK MAIN WORK

- 1) **Refer** to **Part 1 – Furnishing And Delivering Steel Pipes And Appurtenances 30 Inches In Diameter And Larger, Section 11. Fabrication:**, Page 4;
Add the following to **Section 11:**

All steel water mains shall be spiral welded pipes, and all steel water main fittings with the exception of tees and reducers shall be fabricated from qualified spiral welded pipe. Can type pipe is not acceptable except for fabrication of tees and reducers.

- 2) **Refer** to **Part 1 – Furnishing And Delivering Steel Pipes And Appurtenances 30 Inches In Diameter And Larger, Section 13. Special Fittings:**, Page 5;
Add the following to **Section 13:**

The steel reducer shall have a length of seven (7) feet for every twelve (12) inches reduction in diameter.

END OF SECTION

This Section consists of twelve (11) pages plus four (4) pages of attachments.

NO TEXT ON THIS PAGE



OCMC TRAFFIC STIPULATIONS

10-14-15

OCMC FILE NO: QEC-15-314
CONTRACT NO: SEQ-200490
PROJECT: CONSTRUCTION OF STORM AND SANITARY SEWER

LOCATION(S): 95TH STREET AREA BETWEEN 160TH AVENUE AND 162ND AVENUE, ETC.

PERMISSION IS HEREBY GRANTED TO THE **NYCDDC** AND ITS DULY AUTHORIZED AGENT, TO ENTER UPON AND RESTRICT THE FLOW OF TRAFFIC AT THE ABOVE LOCATION(S) FOR THE PURPOSE OF CARRYING OUT THE ABOVE NOTED PROJECT, SUBJECT TO THE STIPULATIONS, AS NOTED BELOW:

I. SPECIAL STIPULATIONS

- A. **EMBARGOES** – A CONSTRUCTION EMBARGO WILL APPLY TO THOSE LOCATIONS BELOW WHICH FALL WITHIN THE **HOLIDAY EMBARGO** OR ANY OTHER SPECIAL EVENT EMBARGOES PUBLISHED BY THE BUREAU OF PERMIT MANAGEMENT AND CONSTRUCTION CONTROL.
- B. **BIKE LANES** – IF WORK IS IN OR AFFECTING A BIKE LANE, THE PERMITTEE MUST POST ADVANCE WARNING SIGNS 350 FEET AND 200 FEET PRIOR TO THE WORK ZONE STATING "**CONSTRUCTION IN BIKE LANE AHEAD PROCEED WITH CAUTION**", AND ALSO POST A SIGN AT THE WORK ZONE STATING "**CONSTRUCTION IN BIKE LANE PROCEED WITH CAUTION**". SUCH SIGNS SHALL BE ORANGE, 3' X 3', DIAMOND-SHAPED WITH 4" BLACK LETTERING. SIGNS SHALL BE POSTED IN ACCORDANCE WITH THE FEDERAL MANUAL ON UNIFORM TRAFFIC CONTROL DEVICES (MUTCD).
- C. **BIKE SHARE STATIONS**: THE PERMITTEE SHALL NOT REMOVE, RELOCATE, DAMAGE OR DISRUPT THE OPERATION OF EXISTING BIKE SHARE STATIONS WITHOUT FIRST CONTACTING NYC BIKE SHARE AT 855-245-3311 FOR THEIR REQUIREMENTS PRIOR TO COMMENCING WORK.
- D. **CITYBENCH**: THE PERMITTEE SHALL NOT REMOVE, RELOCATE, DAMAGE OR DISRUPT AN EXISTING CITYBENCH WITHOUT FIRST CONTACTING NYC DOT AT 212-839-6569, OR VIA EMAIL AT CITYBENCH@DOT.NYC.GOV PRIOR TO COMMENCING WORK.
- E. **PROTECTION OF NYC DEP GREEN INFRASTRUCTURE**: THE PERMITTEE SHALL TAKE PRECAUTION OF NYC DEP GREEN INFRASTRUCTURE IN THE RIGHT-OF-WAY. THE PERMITTEE MUST PROTECT NYC DEP GREEN INFRASTRUCTURE DOWNSTREAM OF THE WORK OR WITHIN FIVE (5) FEET OF THE WORK AREA. THE PERMITTEE MUST EMAIL NYC DEP AT SUSTAINABILITY@DEP.NYC.GOV FOR PROTECTION REQUIREMENTS PRIOR TO COMMENCING WORK. THE PERMITTEE IS RESPONSIBLE FOR RESTORATION OF DAMAGED NYC DEP INFRASTRUCTURE AS DIRECTED BY NYC DEP.
- F. **BUS STOPS** – THE PERMITTEE SHALL PROVIDE WRITTEN NOTICE TO NYC DOT OCMC AND NEW YORK CITY TRANSIT (NYCT) A MINIMUM OF FIVE (5) WEEKS IN ADVANCE FOR LANE/STREET CLOSURES THAT AFFECT BUS ROUTES/BUS STOPS.
- G. **STREET LIGHTS / TRAFFIC SIGNALS**: THE PERMITTEE SHALL NOT REMOVE OR RELOCATE EXISTING STREET LIGHTS OR TRAFFIC SIGNALS WITHOUT FIRST OBTAINING APPROVAL FROM NYCDOT STREET LIGHTING / TRAFFIC SIGNALS UNIT.
- H. **TRAFFIC CAMERAS, DETECTION/COMMUNICATION EQUIPMENT**: IF AT ANY TIME DURING THE APPROVED WORK, THE PERMITTEE ENCOUNTERS TRAFFIC SURVEILLANCE CAMERAS, DETECTION EQUIPMENT OR ANY TYPE OF COMMUNICATION EQUIPMENT (WIRELESS OR HARD-WIRED) ON ANY NYC DOT FACILITY, THAT IS NOT INCLUDED ON THE DESIGN/BUILD DRAWINGS, THE PERMITTEE SHALL IMMEDIATELY NOTIFY NYC DOT TRAFFIC MANAGEMENT BY PHONE AT 718-433-3390 OR 718-433-3340 AND VIA EMAIL AT IMC@DOT.NYC.GOV AND AWAIT DIRECTION PRIOR TO CONTINUING WORK.
- I. **METERS** – THE PERMITTEE SHALL NOT REMOVE OR RELOCATE PARKING METERS WITHOUT FIRST OBTAINING APPROVAL FROM NYCDOT PARKING METER DIVISION AT 718-894-8651.
- J. **TEST PITS** – THE BELOW TRAFFIC STIPULATIONS DO NOT APPLY TO TEST PIT WORK RELATED TO THIS CONTRACT. WORK HOURS AND OTHER REQUIREMENTS FOR TEST PIT OPERATIONS MAY DIFFER FROM THE STIPULATIONS IDENTIFIED BELOW. THE PERMITTEE SHALL BE REQUIRED TO OBTAIN SEPARATE PERMITS RELATED TO TEST PITS.
- K. **TEMPORARY PARKING REGULATIONS/PAVEMENT MARKINGS** – THE PERMITTEE IS REQUIRED TO INSTALL, MAINTAIN AND REMOVE ALL NECESSARY TEMPORARY PARKING AND REGULATORY SIGNS AND PAVEMENT MARKINGS, AND RESTORE THEIR ORIGINAL CONDITION PER NYC DOT STANDARDS, PRIOR TO EXPIRATION OF THEIR PERMITS. THE PERMITTEE OR AGENCY PERFORMING PUBLIC OUTREACH SHALL POST AND MAINTAIN ADVISORY SIGNS A MINIMUM OF 48 HOURS PRIOR TO CHANGING EXISTING PARKING REGULATION SIGNS TO APPROVED TEMPORARY CONSTRUCTION PARKING REGULATION SIGNS. THE ADVISORY SIGNS SHOULD BE POSTED ON ALL POLES AND DRIVE RAILS ON THE SEGMENT AFFECTED, INDICATING THE DATE OF THE CHANGE, THE NEW REGULATIONS AND A TELEPHONE NUMBER TO OBTAIN MORE INFORMATION.
- L. **ACCESS TO ADJUTING PROPERTIES** – THE PERMITTEE SHALL COORDINATE ALL ACTIVITIES WITH ADJUTING PROPERTY OWNERS TO ENSURE ACCESS IS PROVIDED TO/FROM ENTRANCES/DRIVEWAYS AT ALL TIMES.
- M. **AUTHORIZED PARKING** – PRIOR TO PERFORMING WORK WHICH IMPACTS AUTHORIZED PARKING, THE PERMITTEE SHALL SUBMIT IN WRITING, AND COPY OCMC-STREETS, A REQUEST TO OCCUPY SPACE CURRENTLY USED BY AUTHORIZED VEHICLES. APPROVAL MUST BE RECEIVED FROM AUTHORIZED PARKING PRIOR TO OCCUPYING THESE AREAS.

- N. **NOTIFICATION** – THE PERMITEE MUST AT LEAST TWO (2) WORKING DAYS BEFORE THE START OF CONSTRUCTION NOTIFY THE NYC FIRE DEPARTMENT, NYC POLICE DEPARTMENT, NYC EMS, LOCAL COMMUNITY BOARD, BOROUGH PRESIDENT'S OFFICE-CHIEF ENGINEER, NYCDOT OCMC OFFICE, AND ALL ADJACENT PROPERTY OWNERS.
- O. **CONSTRUCTION INFORMATIONAL SIGNS** – THIS PROJECT REQUIRES A CONSTRUCTION PROJECT INFORMATIONAL SIGN (CPIS) IN ACCORDANCE WITH NYCDOT HIGHWAY RULE SECTION 2-02 (4) AND (5). CRITERIA AND A PROTOTYPE FOR THIS SIGN MAY BE FOUND ON THE NYCDOT WEBSITE AT:

[HTTP://WWW.NYC.GOV/HTML/DOT/DOWNLOADS/PDF/DOT_CPIS_DIRECTIONS.PDF](http://www.nyc.gov/html/dot/downloads/pdf/dot_cpis_directions.pdf)

P. **ENHANCED MITIGATIONS**

- o **ENHANCED MITIGATIONS FOR PEDESTRIAN FLOW**, INCLUDING METAL FENCING, SHALL BE PROVIDED TO ENSURE PEDESTRIANS STAY WITHIN THEIR DESIGNATED PATH/ROUTE. PEDESTRIAN MANAGERS SHALL BE PROVIDED TO ASSIST WITH PEDESTRIANS AT THE DESIGNATED CROSSWALK AREAS.
- o **"NO STANDING ANYTIME-TEMPORARY CONSTRUCTION" SIGNS** AND TEMPORARY PAVEMENT MARKINGS SHALL BE INSTALLED AND MAINTAINED AS WARRANTED BY THE MAINTENANCE AND PROTECTION OF TRAFFIC (MPT) REQUIRED TO FACILITATE TRAFFIC MOVEMENTS THROUGH THE WORK ZONE. ALL TEMPORARY SIGNS AND PAVEMENT MARKINGS SHALL BE REMOVED UPON COMPLETION OF THE PROJECT.
- o **COMMUNITY OUTREACH** SHALL BE PROVIDED FOR THE DURATION OF THE PROJECT.

II. MAINTENANCE AND PROTECTION OF TRAFFIC

- A. **162 AVENUE BETWEEN 95 STREET AND 98 STREET**
- B. **161 AVENUE BETWEEN 95 STREET 97 STREET**
- C. **160 AVENUE BETWEEN 95 STREET AND 96 STREET**
- D. **95 STREET BETWEEN 160 AVENUE AND 162 AVENUE**
- E. **96 STREET BETWEEN 161 AVENUE AND 162 AVENUE**

- Work hours shall be as follows: 7am-6pm Monday-Friday
- During work hours for water and paving work, the Permittee shall maintain one 12ft lane for local and emergency access with flaggers at each end of work zone. After working hours full width of the roadway shall be opened to traffic.
- Work hours for sewer work shall be as follows: 7AM TO 6PM MONDAY-FRIDAY. During work hours:
 - a) The Permittee shall maintain one (1) 11-foot lane for local and emergency traffic at all times. In areas where the roadway is not wide enough to allow for local and emergency traffic, the Permittee's work shall not exceed one hundred (100) linear feet, so that the NYC Fire Department/EMS and the NYC Police Department can have access to the local residents on the affected street segment. The work area shall include the excavated trench, equipment and stored materials necessary for the work.
 - b) It will be the Permittee's responsibility to inform the NYC Fire Department/EMS, NYC Police Department and local Community Board daily, in writing, including the location of the work area and the layout of the emergency access from either side of the work area. This notification shall be specific by the house number where possible. Representatives of the local NY Fire Battalion, NYC Police Department and the local Community Board shall sign such notice daily.
- The Permittee shall maintain a 5ft wide pedestrian walkway either on the sidewalk or on the roadway.

- F. **INTERSECTION OF 162 AVENUE AND 95 STREET**
- G. **INTERSECTION OF 162 AVENUE AND 96 STREET**
- H. **INTERSECTION OF 162 AVENUE AND 97 STREET**
- I. **INTERSECTION OF 161 AVENUE AND 95 STREET**
- J. **INTERSECTION OF 160 AVENUE AND 95 STREET**

- For water and paving work, work hours shall be 7am-6pm Monday-Friday. The contractor shall maintain one 12 foot lane for traffic on both intersecting roadways. After work hours, full width of the roadway shall be opened to traffic.
- For sewer work, work hours shall be 9am-4pm Monday-Friday.

- During work hours, the Permittee shall fully close the intersection. After working hours the contractor shall maintain one 12 foot lane for traffic on both intersecting roadways.
- Flagmen must be provided to assist the traffic during working hours.


II. GENERAL NOTES

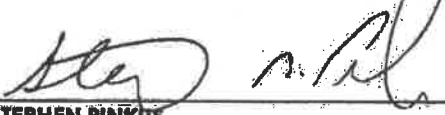
- A. **THIS IS NOT A PERMIT.** THIS STIPULATION SHEET MUST BE SUBMITTED WITH ALL REQUESTS FOR PERMITS PERTAINING TO THE ABOVE CONTRACT AND PRESENT AT THE WORK SITE ALONG WITH ALL ACTIVE CONSTRUCTION PERMITS WHEN THE APPROVED WORK IS BEING PERFORMED.
- B. THE PERMITEE MUST COMPLY WITH ALL CONSTRUCTION EMBARGOS ISSUED BY THE NYCDOT INCLUDING THE HOLIDAY EMBARGO.
- C. THE PERMITEE SHALL COMPLY WITH ALL REQUIREMENTS OF THE NYCDOT SPECIAL EVENTS UNIT AS IDENTIFIED BELOW:
- 1. STREET FAIRS / FESTIVALS**
 - ALL EXCAVATIONS MUST BE PLATED WITH SKID RESISTANT PLATES.
 - PLATES MUST BE RECESSED AND FLUSH WITH PAVEMENT.
 - ALL PAVEMENT DEFECTS MUST BE CORRECTED WITHIN OR ADJACENT TO THE WORK ZONE.
 - THE CONTRACTOR IS RESPONSIBLE FOR ANY DEFECTS WITHIN THE IMMEDIATE VICINITY IF NYCDOT STREET & ARTERIAL MAINTENANCE CANNOT MAKE REPAIRS DUE TO PROJECT INTERFERENCE (AS DETERMINED BY NYCDOT).
 - ALL EQUIPMENT, TRAILERS AND MATERIAL STORAGE MUST BE REMOVED.
 - 2. RUNNING / WALKING / BIKING EVENTS**
 - ALL EXCAVATIONS MUST BE BACKFILLED AND PAVED OR PLATES MUST BE RECESSED AND PAVED OVER FLUSH WITH PAVEMENT.
 - ALL PAVEMENT DEFECTS MUST BE CORRECTED WITHIN OR ADJACENT TO THE WORK ZONE.
 - THE CONTRACTOR IS RESPONSIBLE FOR ANY DEFECTS WITHIN THE IMMEDIATE VICINITY IF NYCDOT STREET & ARTERIAL MAINTENANCE CANNOT MAKE REPAIRS DUE TO PROJECT INTERFERENCE (AS DETERMINED BY NYCDOT).
 - ALL EQUIPMENT, TRAILERS AND MATERIAL STORAGE MUST BE REMOVED.
 - 3. PARADES**
 - ALL EXCAVATIONS MUST BE BACKFILLED AND PAVED OR PLATES MUST BE RECESSED AND PAVED OVER FLUSH WITH PAVEMENT.
 - FORMATION AND DISPERSAL AREA PLATES MUST BE RECESSED AND FLUSH WITH PAVEMENT (PLATES MUST BE SKID RESISTANT).
 - ALL PAVEMENT DEFECTS MUST BE CORRECTED WITHIN OR ADJACENT TO THE WORK ZONE.
 - THE CONTRACTOR IS RESPONSIBLE FOR ANY DEFECTS WITHIN THE IMMEDIATE VICINITY IF NYCDOT STREET & ARTERIAL MAINTENANCE CANNOT MAKE REPAIRS DUE TO PROJECT INTERFERENCE (AS DETERMINED BY NYCDOT).
 - ALL EQUIPMENT, TRAILERS AND MATERIAL STORAGE MUST BE REMOVED.
 - 4. MAYORAL EVENTS**
 - ALL EXCAVATIONS MUST BE BACKFILLED AND PAVED OR PLATES MUST BE RECESSED AND PAVED OVER FLUSH WITH PAVEMENT.
 - ALL PAVEMENT DEFECTS MUST BE CORRECTED WITHIN OR ADJACENT TO THE WORK ZONE.
 - THE CONTRACTOR IS RESPONSIBLE FOR ANY DEFECTS WITHIN THE IMMEDIATE VICINITY IF NYCDOT STREET & ARTERIAL MAINTENANCE CANNOT MAKE REPAIRS DUE TO PROJECT INTERFERENCE (AS DETERMINED BY NYCDOT).
 - ALL EQUIPMENT, TRAILERS AND MATERIAL STORAGE MUST BE REMOVED.
- D. ALL RELOCATION WORK BY THE UTILITIES SUCH AS: CON EDISON, TELEPHONE, GAS AND CABLE COMPANIES SHALL PRECEDE THE CONTRACTORS' START OF WORK ON ALL AFFECTED ROADWAYS IN THE IMPACTED CONTRACT AREA.
- E. THE CONTRACTOR IS ADVISED THAT OTHER CONTRACTORS MAY BE WORKING IN THE GENERAL AREA DURING THE TERM OF THIS STIPULATION. IN WHICH EVENT, THE CONTRACTOR MAY REQUIRE MODIFICATIONS BY THE OCMC-STREETS.
- F. THE PERMITEE IS NOT AUTHORIZED TO ENTER, OCCUPY OR USE ANY PUBLICLY-OWNED OR PRIVATELY OWNED, NON-PAVED, LANDSCAPE OR NON-LANDSCAPED LOCATION WITHOUT SPECIFIC WRITTEN PERMISSION. WHEN THE LOCATION IS WITHIN THE RIGHT-OF-WAY OF A LIMITED-ACCESS ARTERIAL HIGHWAY, WRITTEN APPROVAL FROM THE NYCDOT OCMC-HIGHWAYS IS REQUIRED. WHEN THE LOCATION IS WITHIN THE RIGHT-OF-WAY OF A PUBLIC STREET OR PUBLIC PARK, WRITTEN APPROVAL FROM THE NEW YORK CITY DEPARTMENT OF TRANSPORTATION OR NEW YORK CITY DEPARTMENT OF PARKS AND RECREATION IS REQUIRED. WHEN THE LOCATION IS WITHIN THE RIGHT-OF-WAY OF ANY OTHER JURISDICTION SUCH AS PRIVATE PROPERTY, STATE, FEDERAL ETC., IT IS THE PERMITEE'S RESPONSIBILITY TO DETERMINE THE PROPERTY OWNER AND OBTAIN THE WRITTEN APPROVAL.
- G. THE PERMITEE SHALL ADHERE TO THE NYCDOT BUREAU OF BRIDGES' SPECIAL PROVISIONS FOR LANDSCAPE PROTECTION, MAINTENANCE AND RESTORATION, ITEMS 1.18.15 THROUGH 1.18.19, WHENEVER AND WHEREVER ANY OF THE PERMITEE'S ACTIVITIES OCCUR WITHIN A LIMITED ACCESS ARTERIAL HIGHWAY RIGHT - OF - WAY.
- H. NO DEVIATION OR DEPARTURE FROM THESE STIPULATIONS WILL BE PERMITTED WITHOUT THE PRIOR WRITTEN APPROVAL FROM THE OCMC-STREETS. REQUEST FOR SUCH MODIFICATIONS SHALL BE SUBMITTED TO THE OFFICE OF THE OCMC-STREETS, NEW YORK CITY DEPARTMENT OF TRANSPORTATION, A MINIMUM OF TWENTY (20) DAYS IN ADVANCE FOR CONSIDERATION.

OCMC FILE NO: QEC-15-314
CONTRACT NO: SEQ-200490
PROJECT: CONSTRUCTION OF STORM AND SANITARY SEWER

10-14-15
Page 4 of 4

- I. FOR ANY CONSTRUCTION ACTIVITY RESULTING IN THE FULL CLOSURE OF A ROADWAY FOR MORE THAN 180 CONSECUTIVE CALENDAR DAYS, THE CONTRACTOR MUST PRODUCE AND SUBMIT A COMMUNITY REASSESSMENT, IMPACT AND AMELIORATION (CRIA) STATEMENT TO NYCDOT PLANNING AND OBTAIN THEIR APPROVAL BEFORE APPLYING FOR PERMITS, IN COMPLIANCE WITH THE PROVISIONS OF LOCAL LAW 24 STREET CLOSURE LAW.
- J. FOR THIS PROJECT THE CONTRACTOR SHALL FURNISH, INSTALL AND MAINTAIN ALL NECESSARY ADVANCE WARNING AND DETOUR SIGNS, TEMPORARY CONTROL DEVICES, BARRICADES, LIGHTS AND FLASHING ARROW BOARDS IN ACCORDANCE WITH THE "MANUAL ON UNIFORM TRAFFIC CONTROL DEVICES," THE TYPICAL SCHEMES INCLUDED IN THIS SPECIFICATION; AND AS ORDERED BY THE ENGINEER-IN-CHARGE AND THE OCMC-STREETS.
- K. THE CONTRACTOR SHALL BE RESPONSIBLE FOR IDENTIFYING HIS CONSTRUCTION SIGNAGE. THE IDENTIFICATION SHALL INCLUDE THE CONTRACTOR'S NAME, SPONSORING AGENCY NAME AND THE CONTRACT NUMBER. THE IDENTIFICATION SHALL BE PLACED ON THE BACK OF THE SIGN. THE LETTERING SHALL BE THREE (3) INCHES HIGH.
- L. THE OCMC-STREETS RESERVES THE RIGHT TO VOID OR MODIFY THESE STIPULATIONS SHOULD CONSTRUCTION FAIL TO COMMENCE WITHIN TWO (2) YEARS OF THE SIGNED DATE OF THESE STIPULATIONS.


DUANE BARRA
DIRECTOR
OCMC-STREETS


STEPHEN PINKUS
PROJECT MANAGER
OCMC-STREETS

EP7 (1.0) - PAGES

**GAS COST SHARING (EP-7)
STANDARD SPECIFICATIONS**

NOTICE

THE PAGES CONTAINED IN THIS SECTION REPRESENT THE GAS COST SHARING WORK THAT SHALL APPLY TO AND BECOME A PART OF THE CONTRACT.

(NO TEXT ON THIS PAGE)

TABLE OF CONTENT**I - NOTICE TO ALL BIDDERS; GAS COST SHARING WORK****II - GENERAL PROVISIONS; GAS COST SHARING WORK**

1. General
2. Gas Interferences And Accommodations
 - 2a. Water Main Accommodations
 - 2b. Sewer Accommodations
3. Quantity Overruns, EP-7 Funded Bid Items
4. Changes And Extra Work
5. Excavation
6. Backfilling And Street Restoration
7. Non-Responsive Bids
8. Minimum Clearances
9. Work By Facility Operator
10. Materials Furnished By Facility Operator
11. Liability And Insurance
12. Width And Depth Of Excavation
13. Depth And Crossing Angles Of Gas Facilities
14. Maintenance Of Traffic For Gas Work
15. Relocated Gas And Temporary Systems Installation
16. Role Of Company Inspector
17. Coordination With Gas Company

III - TECHNICAL SECTION

- SECTION 6.01 - Trench Crossings; Support And Protection Of Gas Facilities And Services.
- SECTION 6.02 - Extra Excavation For The Installation Of Catch Basin Sewer Drain Pipes With Gas Interferences.
- SECTION 6.02.1 - Extra Excavation For The Installation Of Catch Basin Sewer Drain Pipes With Upstream Inverts Greater Than Six (6) Feet.
- SECTION 6.03 - Removal Of Abandoned Gas Facilities. All Sizes.
- SECTION 6.03.1 - Removal Of Abandoned Gas Facilities With Possible Coal Tar Wrap. All Sizes. (For National Grid Work Only)
- SECTION 6.03.1a - Removal Of Abandoned Gas Facilities With Possible Coal Tar Wrap. All Sizes. (For Con Edison Work Only)
- SECTION 6.04 - Adjust Hardware To Grade Using Spacer Rings/Adaptors. (Street Repaving.)
- SECTION 6.05 - Adjust Hardware To Grade By Resetting. (Road Reconstruction.)
- SECTION 6.06 - Special Care Excavation And Backfilling.
- SECTION 6.07 - Test Pits For Gas Facilities.
- SECTION 6.08 - "No Text"**
- SECTION 6.09 - Trench Excavation and Backfill for New Gas Mains and Services (For National Grid Work Only)
- SECTION 6.09a - Trench Excavation and Backfill for New Gas Mains and Services (For Con Edison Work Only)

IV - STANDARD SKETCHES; GAS COST SHARING WORK

- NO. 1 - Support Requirements For Gas Mains And Services Crossing Excavation Greater Than 4'-0" Wide At Any Angle
- NO. 1A - Support Requirements For Gas Mains Over 16" Diameter Up To And Including 48" Diameter Crossing Excavation At Any Angle
- NO. 2 - Typical Methods Of Measurement For Gas Crossings
- NO. 3 - Utility Crossings During Catch Basin Chute Connection Pipe Installation
- NO. 4 - Utility Crossings During Catch Basin Chute Connection Pipe Installation (Extra Depth)

NO. 5 - Gas Main Encroachment On And/Or Parallel To Excavation Of Unsheeted Trench

V - PRELIMINARY GAS WORK TO BE PERFORMED BY FACILITY OPERATOR

VI - LISTING OF APPROXIMATE LOCATIONS OF EP-7 BID ITEMS QUANTITIES

I - NOTICE TO ALL BIDDERS; GAS COST SHARING WORK

All prospective bidders are hereby advised that, pursuant to the "Gas Facility Cost Allocation Act", ("the Act"), the City of New York has entered into an agreement ("the Agreement") with the gas companies (Con Edison or National Grid (formerly KeySpan Energy Delivery)) operating in their respective areas of the City to "share" the cost of facility relocation and/or support and protection of facilities disturbed by proposed water and/or sewer and related City work specified in this contract. Therefore, bid items, specifications and estimated quantities for the incremental costs of support and protection of certain gas facilities have been included in this contract. The low bid for this contract shall be determined by examining each bid for all work to be performed under this contract including any work of support and protection of gas facilities to be performed. The Contractor shall not seek additional compensation from gas companies except as specifically set forth in its contract.

II - GENERAL PROVISIONS; GAS COST SHARING WORK

1. General:

The Contractor shall perform City work with interferences from existing live and abandoned gas facilities. This shall be defined as utility work. Therefore, this contract includes bid items, specifications and estimated quantities designed to fully compensate him/her for the incremental costs of supporting, protecting, providing accommodations and, avoiding disturbing gas facilities located in the streets shown on the contract drawings. In the event that any other provisions of this contract related to gas facilities (or private utilities) conflict with these provisions, these provisions shall supersede and govern all work related to gas facilities owned by the companies operating in the project area. All utility work, as defined in these specifications, including changes and additions thereto shall be paid solely by the City except when specified otherwise in this contract. Contractor hereby agrees that the facility operator shall not be liable to pay him/her for any work performed including extra utility work. Contractor agrees that its bid prices include all compensation for loss of productivity and efficiency, idle time, delays (including any delays occasioned by negotiation of a contract change), change in operations, mobilization, demobilization, remobilization, added cost or expense, lost of profit, other damages or impact costs that may be suffered by or because of utility work, or the presence of gas facilities in the proximity of City work and that it will not seek additional compensation for these items. All disputes shall be resolved as specified in the contract.

Pursuant to the Act, Agreement, and the New York City Administrative Code, the gas company(ies) has been directed by the Commissioner and is required to perform all maintenance, repairs, replacement, shifting, alteration, relocation, and/or removal work that are not part of this contract. By having bid on this contract, the Contractor understands and agrees that the Commissioner has preasserted any right the City has to require, including the issuance of any directives or so called "order outs" under the New York City Administrative Code, any or all gas companies to maintain, repair, replace, protect, support, shift, alter, relocate, and/or remove all gas facilities that are about to be disturbed by the City contract work. The issuance of additional such directives during the performance of the contract work, where necessary in the sole judgment of the Commissioner, shall be initiated by such Commissioner as set forth in the relevant sections of the Act and Agreement. Contractor further agrees to insert such requirements as set forth herein above into any contracts with its approved subcontractors so that its subcontractors also understand and agree to such contract requirements.

2. Gas Interferences And Accommodations:

During the performance of sewer and water main work funded by the New York City Department of Environmental Protection (NYCDEP), as instructed by the Engineer, the use of any applicable contract bid item is allowed in order to resolve and accommodate all gas facilities interferences with such City work, including the removal of contaminated soil in associated trench excavation. This is in addition to the specified EP-7 bid items in the contract. Payment for such accommodation shall be funded by EP-7 bid item "UTL-GCS-2WS - GAS INTERFERENCES AND ACCOMMODATIONS" (F.S. Fixed Sum). The value of such accommodation shall be computed by multiplying the appropriate unit prices bid to the quantity of work performed, as determined by the Engineer, and applying the total amount thus to be paid

to EP-7 bid item "UTL-GCS-2WS - GAS INTERFERENCES AND ACCOMMODATIONS". When EP-7 bid item "UTL-GCS-2WS - GAS INTERFERENCES AND ACCOMMODATIONS" does not exist, such additional accommodation work shall be at no cost to the City but shall be a matter of adjustment between gas facility operator and Contractor. Private facilities, other than gas, that become in interference due to gas interferences accommodations shall also be accommodated, if so directed by the Resident Engineer, at no additional cost to the City and, provided that its owner agrees to be responsible for all additional costs to Contractor, otherwise, such facility shall be ordered by the City to be maintained, shifted, relocated or replaced by its owner at his/her expenses.

2a. Water Main Accommodations:

When water main construction is to be performed in this contract, Contractor shall be required, if warranted by field conditions, and at locations designated by the Resident or Borough Engineer, to change the vertical or horizontal alignment of water mains including but not limited to all additional labor, material, work method accommodations, furnishing, delivering and laying offset fittings and pipes, etc., necessary in order to complete water main installation and, avoid gas interferences in the project area, including street intersections. Typical work method accommodations shall include, but not be limited to, pier and plate, installation of filter fabric and select fill, etc. Such work shall be performed as directed by the Engineer and in accordance with contract specifications and latest edition of water mains standards and specifications.

2b. Sewer Accommodations:

When sewer construction is to be performed in this contract, Contractor shall be required, if warranted by field conditions, and at locations designated by the Resident or Borough Engineer, to change the horizontal alignment of sewer facilities (if possible) including but not limited to all additional labor, material, work method accommodations, furnishing, delivering and construction of additional manholes or modification of manholes/catch basins, extending chute connections, house connections, using alternate materials and methods, poured-in-place structures, etc., necessary in order to complete sewer installation and, avoid gas interferences in the project area, including street intersections. The term sewer facility shall include, but not be limited to, all sewer pipe and appurtenances, manholes, catch basins, catch basin chutes, etc. Such work shall be performed as directed by the Engineer and in accordance with contract specifications and latest edition of sewer standards and specifications.

3. Quantity Overruns, EP-7 Funded Bid Items:

No quantity overrun, in excess of one hundred twenty five (125) percent, shall be permitted for EP-7 funded bid items (gas) included in this contract, except when Resident Engineer determines that such overruns are caused by field modifications to planned City work, or approved construction methods, or contract scope changes. Overruns not paid by City shall be negotiated and paid to Contractor by gas facility operator who then shall be entitled to reimbursement by NYCDEP under established cost sharing procedures.

4. Changes And Extra Work:

This section is not applicable to work defined under "Emergency Reconstruction Contracts" or so-called "Where and When Contracts" since these projects, by definition, inherently encounter unanticipated gas facilities and cannot be pre-engineered. In all other cases, any contract changes proposed for City work shall also cover and include all associated changes to support and protection of gas facilities affected by such changes to City work. In all other cases where the Contractor finds that City work cannot be performed as planned and specified and/or, as approved because of a need to support, protect and/or alleviate interferences from gas facilities that were not listed and/or shown, or incorrectly shown in contract plans and specifications, he shall immediately notify the Resident Engineer and the facility operators' representative of his findings. Resident Engineer shall promptly examine such claims and determine whether or not such work is covered by contract bid items and /or specifications (contract bid items and specifications shall include city contract items as well as EP-7 items). The Resident Engineer shall also

examine the claim to determine if the application of EP-7 bid item "UTL-GCS-2WS - GAS INTERFERENCES AND ACCOMMODATIONS" is appropriate to resolve the claim. If upon examination, the Engineer determines that such field conditions were unanticipated (not shown and/or listed, or incorrectly shown in contract documents) and are not covered by bid items and contract specifications, he shall then direct the Contractor and the affected facility operator to negotiate the cost of supporting and protecting, and/or alleviating the impact on City work caused by such unanticipated gas facilities with each other with the understanding that the performance of City work shall continue during negotiations. If a cost agreement is reached, the Contractor and facility operator shall adjust such costs between themselves at no additional costs to the City contract. If the Contractor and affected facility operator do not reach an agreement concerning the price to be paid for the extra work within five (5) business days of the Engineer's directive to engage into such negotiations and, after considering: public safety and inconvenience, requirements of laws and regulations applicable to private utilities, integrity of all utility systems, including but not limited to sewer and water, gas, electric, telephone and, cable TV facilities, sound engineering practices, cost (long and short term) to all affected parties, and potential City work delays, then the Resident Engineer, depending on nature and severity of interferences with City work, shall either, direct the facility operator to relocate or replace its facilities at its own discretion and cost, reimbursable by NYCDEP under established gas cost sharing procedures or, direct the Contractor to perform the utility work on actual time, material and equipment costs basis pursuant to relevant contract requirements and amendments. Contract bid prices for any applicable items of work involved shall be applied, or converted to an allowance for time and material charges. Changes shall be for affected portions of utility work and, shall be processed with EP-7 funds.

5. Excavation:

All excavators shall notify the NYC/LI One Call Center at 1-800-272-4480 at least two (2) working days, not including the day of the call, but not more than ten (10) working days in advance of the start of any excavation work. The gas company(ies) will mark out its facilities within the project limits and provide Construction Inspector(s) during all excavation work in close proximity (within twelve (12) inches) to gas facilities. The Contractor shall exercise extreme caution when excavating in the vicinity of any gas facilities. Hand excavation shall be performed within twelve (12) inches of gas facilities. The Contractor prior to excavating underneath these facilities shall adequately support all gas facilities. Standard support details for gas facilities have been included in the specifications. Any damage to gas facilities shall be reported immediately to the gas company(ies). The Contractor shall be responsible for all cost associated with repairs made necessary by damages caused by his operations.

6. Backfilling And Street Restoration:

Backfilling operations and street restorations shall be in accordance with contract requirements.

7. Non-Responsive Bids:

Every gas (EP-7) bid item has a suggested "Not less than" value per unit indicated on contract bid sheet. Bids resulting in cost of less than suggested for EP-7 items are hereby prohibited and if submitted shall be considered NON-RESPONSIVE.

8. Minimum Clearances:

Clearance requirements for City work shall govern and supersede any clearance requirement of gas facility operator. Therefore, a minimum of twelve (12) inches clearance between private utilities and City water mains, sewers or related structures to be installed in this contract shall be maintained. When this clearance is not attainable, the Resident Engineer may allow a minimum of four (4) inches clearance. With less than twelve (12) inches clearance a neoprene/polyethylene shield (to be provided by facility operator) shall be installed as part of all work item specifications. However, if Resident Engineer determines that City work cannot be performed within allowable clearance and no reasonable City accommodation (no-cost change to City work) is possible, the City shall direct the facility operator to remove, relocate, shift, or alter their facility(ies) pursuant to the New York City Administrative Code.

9. Work By Facility Operator:

The facility operator may find it necessary to perform the following types of work during performance of City work: accommodating a contractor's request for gas facilities modifications (in order to facilitate City contractor's proposed construction method) or, remedial and emergency work on gas facilities proper with their own resources and materials if an approved method of construction for City work causes unanticipated disturbances to gas facilities or, replacing defective gas facilities when they are exposed by the Contractor and their actual conditions are observable by the facility operator. Also included in the above category of defective gas facilities are: the presence of environmental contaminants attributable to the gas facility in or around gas facilities. If such work is deemed required by the facility operator or if facility operator is directed by the City to address such deficiencies at any time during the course of construction, the Contractor shall modify the construction schedule at no cost to the City and allow the facility operator five (5) business days to perform such work without interferences. Additional costs to the facility operator (in cases of accommodations) or, Contractor (in cases of defective gas facilities) due to such gas work, if any, shall be the responsibility of the parties involved and not of the City. Such costs shall be a matter of adjustment between the Contractor and the facility operator.

10. Materials Furnished By Facility Operator:

It shall be the Contractor's responsibility to inspect material to be installed by him immediately upon delivery and advise the facility operator through its authorized representative, of all damaged materials. The Contractor at no additional costs to the City or the facility operator shall replace any material that is damaged or lost after the Contractor's inspection.

11. Liability And Insurance:

Notwithstanding the provisions of this contract, the existing division of liabilities to third parties shall remain the same as between the City and the company. Therefore, it is specifically agreed by the City, company and Contractor (by bidding on this contract) that for the purpose of any liabilities to third parties, that the City contractor performing work directly and physically relating to gas company facilities in this project, shall be deemed an agent of the company and not an agent of the City, the New York City Municipal Water Finance Authority, or the New York City Water Board. Contractor shall include the company as an additional insured on all insurance policies maintained to comply with the City's insurance requirements.

12. Width And Depth Of Excavation:

Contractor shall not be authorized to deliberately change trench or excavation widths and/or depth specified without Engineer's approval. Enlargement of any side of excavation up to eighteen (18) inches beyond pay limits (or inside face of sheeting) requested by the Contractor for the installation of certain types of sheeting may be granted. However, such enlargements or those greater than allowable shall not be approved when, in the sole judgment of the City, field conditions allow the water mains and sewer work to be performed within the limits specified and, the sole purpose of such enlargement request is to impact adjacent utilities (public or private) whose support and protection are part of this contract. Any approval shall be given at no additional cost to the City contract, including EP-7 funding, and all costs associated with unauthorized enlargements shall be the sole responsibility of the Contractor.

13. Depth And Crossing Angles Of Gas Facilities:

Where gas facilities are shown (or specified as) crossing proposed alignment of sewers, water mains, catch basins and chute connections or any other proposed excavations at specific angles (as measured off plans or sketches or specified in contract), it shall be understood that actual field measurements may deviate (plus or minus) forty-five (45) degrees from those shown or specified. The cover, or depth from street surface to top of facilities, shall be as shown or specified in contract documents, no deviation is to be assumed. Where gas facilities are not shown on contract documents, but their support and protection are otherwise included in this contract then, all references to facilities crossing at "various angles and depth" in the gas sections shall mean that such facilities are crossing sewer, water, catch basin and, catch basin chute, and other excavations at a ninety (90) degree angle to the proposed sheeting line or side of

excavation (for unsheeted trenches) with an allowable deviation of forty-five (45) degrees in any direction, except for catch basin chute excavation where the allowable deviation shall be sixty (60) degrees. Where the cover is not noted or specified, the bottom face of such facilities shall be assumed to be crossing catch basin chutes at a depth of three (3) foot eight (8) inches or less from the street surface. Paragraph No. 2 above shall apply in cases of distribution water main construction. Appropriate bid items and specifications are provided for cases where angle and depth are greater than stated above. This section also applies to work defined in "Emergency Reconstruction Contracts" or so-called "Where and When Contracts". These contracts are not pre-engineered and consequently have no drawings, sketches or determined locations and so, gas facilities encountered will be crossing existing and proposed sewer, water, catch basin/catch basin chutes and all appurtenances at various angles and depths.

14. Maintenance Of Traffic For Gas Work:

All work pertaining to gas bid items and specifications shall be performed within the contract maintenance of traffic plan as specified in the contract document. The bid price for the Maintenance and Protection of Traffic shall cover all work pertaining to gas items. The City shall make compensation for additional maintenance and protection of traffic items in connection with gas item of work only when such additional work is deemed reasonable and necessary by the Resident Engineer and is approved by him prior to its performance.

15. Relocated Gas And Temporary Systems Installation:

In cases where the Contractor is allowed to select the location for temporary construction such as, installation of dewatering headers, wells, well points, etc., he shall not disturb any gas facilities shown on sketches provided in this section. The only exception shall be, if the affected gas company agrees to such relocation and provided that the cost of such relocation is a matter of adjustment between the company and Contractor, and at no cost to the City.

16. Role Of Company Inspector:

In any case in which the City elects to perform some or all support and protection work with its own employees, personnel or contractors, the facility operator shall provide onsite inspectors to approve and certify such support and protection work (exclusive of City accommodations) performed by the City's own employees, personnel, and contractors. Facility operator's inspectors are not authorized to direct City contractor during the performance of contract work. They shall act through the City Resident Engineer and provide him/her required approvals and certifications, prior to preparing partial payments of EP-7 items, in a format and frequency to be prescribed by the appropriate City Head of Construction.

17. Coordination With Gas Company:

The Contractor shall be required to notify the gas company(ies), in writing, at least two (2) weeks prior to the start of final paving in order to allow companies to complete any unfinished gas work located within the area to be paved. Every effort shall be made to maintain gas service with minimum inconvenience to the public.

III - TECHNICAL SECTION

SECTION 6.01 - Trench Crossings; Support And Protection Of Gas Facilities And Services.

1. Description:

Under this section, the Contractor shall provide all labor, materials, equipment, and incidentals required to

support and/or protect the integrity of gas mains, services and appurtenances of any sizes, configurations, and operating pressures crossing trench excavations above subgrade for planned construction of sewers and water mains facilities. A gas service shall be defined as a gas pipe of three (3) inches in diameter or less branching from the main to a customer pick up point or property valve box. A gas main may be any size pipe that is part of a distribution or transmission network other than services described above. Crossings shall be defined as gas facilities spanning the width of excavation (one side to the other side). These crossings may be at various angles and depth as shown on "Gas Cost Sharing Work Standard Sketches Nos. 1 and 1A", and as specified in "General Provisions; Gas Cost Sharing Work Paragraph No. 13" and, at the locations shown or listed in contract documents. The gas company operating in the area, (facility operator), owns these facilities. The work shall be performed in accordance with contract specifications, plans, and at the directions of the Resident Engineer in consultation with the authorized representatives of the facility operator.

2. Method Of Construction:

- A. Protection: In general, the gas facilities shall be protected as required by New York State Industrial Code 753. In particular, the Contractor shall use hand excavation methods (pick and shovel or hand held power tools) directly below the pavement base to expose the gas facilities (marked out by facility operators) and to ascertain the clearances and cover of the facilities with respect to the proposed excavation. Upon exposing the affected facilities sufficiently, at the discretion of the Resident Engineer, to ascertain the foregoing, Contractor shall be permitted to proceed with a combination of hand and machine excavation, as appropriate, outside a zone of protection whose limit shall be defined as a perimeter located twelve (12) inches from the outside face of each gas facility crossings (See "Gas Cost Sharing Work Standard Sketch No. 2"). If the facilities are in direct interference with City work, meaning that "Minimum Clearances" described in "General Provisions; Gas Cost Sharing Work Paragraph No. 8" cannot be maintained, and excavation has to be temporarily or permanently abandoned then this particular location shall become a test pit and dealt with as specified in Section 6.07, and "General Provisions; Gas Cost Sharing Work Paragraphs Nos. 2 and 8".
- B. Support: Gas mains or services crossing excavations equal or less than four (4) feet wide are generally self supporting, unless field conditions as determined by the Resident Engineer require otherwise. The support requirements for gas mains and services crossing excavations greater than four (4) feet wide shall be as shown on the attached "Gas Cost Sharing Work Standard Sketch No. 1" and Contractor shall use sheeting methods that permit the maintenance of gas facilities in their existing locations and configurations. Alternate methods equivalent to those shown on the sketch or accommodations by the facility operator proposed by the Contractor in order to facilitate the execution of the specified work shall be allowable, provided that prior approval is obtained by the Contractor from the Engineer and the facility operator. The support and protection of gas facilities crossings shown on plans, drawings, listings or otherwise identified in this contract shall not be circumvented with the issuance of so called "order outs".

3. Method Of Measurement:

The Contractor shall be paid for supporting and/or protecting gas facilities crossing trench excavations under the appropriate bid items covered by this section. The Contractor shall be directly responsible to the facility operator for the total cost of using any alternate method requiring the use of resources owned by the facility operator. Regardless of the method used, the City shall pay the bid price for the appropriate support and/or protect item of work. The average rate charged by the facility operator for alternate support and protection work such as, disconnecting and reconnecting gas services is listed in attached "Schedule GCS-A".

4. Payment Restrictions:

These items shall not be paid for: gas services crossing unsheeted water main trench excavation; abandoned gas main/services identified by facility operator; gas mains/services crossing trench excavations for fire hydrant branch connections pipes, catch basins and/or chutes (sewer drain pipe), house sewer and/or water services; gas facilities encroaching any face of excavation for sewer and/or

water construction, all of which are covered under other contract sections. Also this item shall not be paid for new gas mains and services crossing water trenches when trenching for such new facilities has been performed by the Contractor in common with trench excavation for City work (overlapping trench limits). The cost of supporting and protecting such gas facilities crossings shall be deemed included in the cost of trench excavation for the new gas facilities. This payment restriction shall apply even if such common trench gas excavation is not part of the contract. The prices bid for items covered by this section represent full compensation to Contractor to completely perform the work described. No other bid items shall be combined with these items in order to pay for gas main and/or services crossing excavations specified herein.

5. Method Of Payment:

Each (Ea.) gas facility crossing trench excavation as described in these specifications shall be counted for payment.

6. Price To Cover:

The cost of timber/steel supports installed for gas facilities shall be included in the bid price. The bid price for each crossing shall also cover all additional supervision, labor, material (except those provided by the facility operator), equipment and insurance necessary to completely maintain the gas facilities without disruption of service to the customers and in accordance with contract plans, specifications and facility operator standards. The price shall also include: changes of method of operations; sheeting modifications where necessary to accommodate the gas facilities crossings; installation and removal of water pipe under gas facilities (so called "snaking"); extra care during excavation (including hand excavation under existing single and multiple gas facilities); extra backfilling and compaction around, over and under gas facilities; installation and removal of sheeting around gas facilities; associated maintenance and protection of traffic; barricades; and traffic plates that may be required to temporarily close and/or complete the work.

SECTION 6.02 - Extra Excavation For The Installation Of Catch Basin Sewer Drain Pipes With Gas Interferences.

1. Description:

Under this item, the Contractor shall provide all labor, materials, equipment, insurance, and incidentals for the extra excavation associated with the installation of catch basin sewer drain pipes (chute) under gas facilities of various sizes crossing the trench excavation at various angles and depth at the locations shown in the contract documents and also, for the support and protection of these facilities during associated excavation and backfill operations. The gas company operating in the area, (facility operator), owns these facilities.

2. Method Of Measurement:

The bid price shall be per location (Each) where extra excavation is required when catch basin sewer drain pipes are installed at an upstream invert depth lower than four (4) feet (up to a maximum of six (6) feet) from the proposed pavement grade because the bottom faces of interfering gas mains and appurtenances are located at a depth greater than three (3) foot eight (8) inches from proposed pavement surface (See "Gas Cost Sharing Work Standard Sketch No. 4").

3. Method Of Construction:

Incremental cost responsibility for chute excavation is determined by the first private facility encountered starting from catch basin structure proper and that prevents the installation of the chute connection at an upstream cover less than or equal to three (3) feet or any other minimum cover required to avoid City facilities (e.g. water, sewer, etc.) as directed by the Resident Engineer.

4. Payment Restrictions:

This item shall not apply and related bid item shall not be paid in cases where:

- A. Upstream invert chute is more than six (6) feet deep because of gas facilities.
- B. Chute cannot be installed above existing gas facilities because of interferences with other private facilities that are not otherwise covered under this contract, regardless of upstream invert depth.

The above cases shall be at no cost to the City, but shall be a matter of adjustment between the Contractor and the facility operator(s).

5. Price To Cover:

The bid price shall cover the additional cost of all additional supervision, labor, materials, equipment and insurance, to complete the installation of catch basins and associated sewer connections in accordance with the contract plans and specifications. The price shall include: excavation by hand around and under single and multiple gas facilities; locating, supporting and protecting gas facilities; backfilling and all other items necessary to perform all work incidental thereto including: installation and removal of drain pipe under gas facilities ("snaking"); widening of trenches to facilitate the above work; subsequent additional backfill and pavement restoration; modifying precast catch basin window to accommodate connection; changing sheeting method and configuration to accommodate gas facility crossings; maintenance and protection of traffic; barricades; and installation of traffic plates that may be required to temporarily close and/or complete the work. The price shall not include removal of ledge rock and/or excavation of boulders in open cut.

SECTION 6.02.1 - Extra Excavation For The Installation Of Catch Basin Sewer Drain Pipes With Upstream Inverts Greater Than Six (6) Feet.

1. Description:

Under this item, the Contractor shall provide all labor, materials, equipment, insurance and incidentals for the extra excavation of catch basin chutes where the upstream invert is greater than six (6) feet under gas facilities of various sizes crossing the trench excavation at various angles and depth at the locations shown in the contract documents or as determined by field conditions and also, for the support and protection of these facilities during the associated excavation, sheeting and backfilling operations.

2. Method Of Measurement:

The bid price shall be per location (Each) where extra excavation and sheeting is required when the catch basin chute installed at an upstream invert depth lower than six (6) feet from the proposed pavement grade because the bottom faces of the interfering gas mains and appurtenances are located at a greater depth than three foot eight inches from the proposed pavement surface only.

3. Method Of Construction:

Incremental cost responsibility for chute excavation is determined by the first private facility encountered during such excavation when initiated from catch basin structure and that prevents the installation of the chute at an upstream cover less than or equal to three (3) feet or any other cover required to avoid City facilities as directed by the Resident Engineer.

4. Payment Restriction:

This item shall not apply and related bid item shall not be paid in cases where:
Upstream invert chute is less than or equal to six (6) feet deep because of gas facilities. Section 6.02 shall be paid.

5. Price To Cover:

The bid price shall cover the additional cost of all supervision, labor, materials, equipment and insurance to complete the installation of catch basin and associated sewer connections in accordance with the contract plans and specifications. The price shall include: excavation by hand around and under single and multiple gas facilities; locating, supporting and protecting gas facilities incidental thereto; widening of trenches to facilitate the above work; subsequent additional backfilling and pavement restoration; modifying pre-cast basin window to accommodate connection; the installation of catch basin with deeper sumps as specified; additional sheeting and changes in sheeting method and configuration to accommodate gas facility crossings; maintenance and protection of traffic; barricades; and installation of traffic plates that may be required to temporarily close and/or complete the work.

SECTION 6.03 - Removal Of Abandoned Gas Facilities. All Sizes.

1. Description:

Under this section the Contractor shall provide all labor, materials, equipment, insurance and, incidentals required for the removal of abandoned gas mains, services, or appurtenances thereof, located within the street shown on the contract plans, owned by gas company operating in the project area (facility operator), used or to be used for or in connection with or to facilitate the conveying, transportation, distribution or furnishing of gas (natural or manufactured or mixture of both) for light, heat, or power, but does not include property used solely for or in connection with business of selling, distributing or furnishing of gas in enclosed containers. Such removal shall include only abandoned gas facilities that interfere with (i.e. cause additional work) City work.

2. Determination Of Operating Status Of Gas Facilities:

The Contractor shall notify facility operator, as required by New York State Industrial Code 753. Gas facilities shall not be removed without the approval of the facility operator whose authorized representative shall certify in writing (specific facility or area wide facilities certification) and in a timely manner acceptable to the Resident Engineer that abandoned facilities are free of combustible gas and any other environmental contaminants prior to removal. The Resident Engineer shall rely on facility operator's certification. The facility operator may request the excavation of test pits (See Section 6.07) for this determination ahead of City work and, Contractor shall provide safe access, facilitate and permit facility operator to enter test pit excavations for the purpose of testing gas facilities to be removed by the Contractor. However, facility operator may prefer to make this test during performance of City work, in order to issue the above certification. This shall be permitted provided that it is agreed that additional costs, if any resulting from this choice shall be a matter of adjustment between the Contractor and facility operator only, and at no cost to the City.

3. Restrictions:

The facility operator shall be solely responsible for its contaminated gas facilities, surrounding contaminated soil and their disposal and abatement procedures, unless contract bid items are applicable and provided for such work. In such cases, the quantity removed shall be charged to EP-7 bid item "UTL- GCS-2WS - GAS INTERFERENCES AND ACCOMMODATIONS" at the City bid prices.

4. Method Of Measurement:

Abandoned gas pipeline removal shall be measured for payment per linear foot of pipe and appurtenances removed.

5. Price To Cover:

The price shall cover all additional cost of supervision, labor, materials, equipment, and insurance necessary to complete this work in accordance with the contract plans and specifications, including excavation by hand around and under other City and facility operator owned properties and, where necessary, support and protection of such properties. The price shall also cover breaking, cutting, and/or burning of abandoned gas pipes and their disposal from the site; sealing open ends remaining in the excavation with concrete or caps (caps to be provided by the facility operator) and backfilling of the area where the pipeline has been removed with clean backfill. The price shall also include any required dump charges. This item does not include any type of extra excavation, backfilling, compaction, pavement removal and restoration associated with abandoned gas facilities removal, all of which are covered under Section 6.06.

SECTION 6.03.1 - Removal Of Abandoned Gas Facilities With Possible Coal Tar Wrap. All Sizes. (For National Grid Work Only)

1. Description:

Under this section the Contractor shall provide all labor, materials, equipment, insurance and, incidentals required for the removal of abandoned gas mains, services or appurtenances thereof, located within the street shown on the contract plans, owned by the gas company operating in the project area (facility operator), used or to be used for or in connection with or to facilitate the conveying, transportation, distribution or furnishing of gas (natural or manufactured or mixture of both) for light, heat, or power, but does not include property used solely for or in connection with business of selling, distributing or furnishing of gas in enclosed containers. Such removal shall include only abandoned gas facilities that interfere with (i.e. cause additional work) City work. These gas facilities may be coated with Coal Tar Wrap and so, may require special handling and disposal methods as specified in National Grid Standard Operating Procedure 12-2, Coal Tar Wrap Handling and 12NYCRR56.

2. Determination Of Operating Status Of Gas Facilities:

The Contractor shall notify facility operator, as required by New York State Industrial Code 753. Gas facilities shall not be removed without the approval of the facility operator whose authorized representative shall certify in writing (specific facility or area wide facilities certification) and in a timely manner acceptable to the Resident Engineer that abandoned facilities are free of combustible gas and any other environmental contaminants prior to removal. The Resident Engineer shall rely on the facility operator's certification. The facility operator may request the excavation of test pits (See Section 6.07) for this determination ahead of City work and, the Contractor shall provide safe access, facilitate and permit facility operator to enter test pit excavations for the purpose of testing gas facilities to be removed by the Contractor. However, the facility operator may prefer to make this test during performance of City work, in order to issue the above certification. This shall be permitted provided that it is agreed that additional costs, if any, resulting from this choice shall be a matter of adjustment between the Contractor and the facility operator only, and at no cost to the City contract. Should such investigation result in the determination that the abandoned gas facilities do not contain Coal Tar Wrap then the removal of said facilities shall be covered under separate item (See Section 6.03).

3. Requirements:

The City Contractor shall excavate abandoned gas facility sufficiently, either in its entirety, or at locations determined by Contractor to allow the removal of Coal Tar Wrap (if present on the abandoned gas facility) and to facilitate the safe extraction of manageable lengths of abandoned pipe without damage to adjacent facilities, utilities or City structures either parallel to or crossing above or below abandoned gas facility. The Contractor is to allow access to the designated cutting points within the Contractor's trench by authorized National Grid personnel who will remove the Coal Tar Wrap as per National Grid procedures. This work by National Grid personnel shall be performed in a timely fashion and shall not unduly impede the Contractor's progress and/or productivity. Upon completion of the coating removal, the Contractor shall be allowed to cut, burn or grind the gas facility and remove the section of abandoned pipe. The

Contractor at a site designated by the Contractor shall stockpile the removed pipe. The facility operator will be responsible to provide trucking and disposal services with its own personnel and shall remove the stockpiled pipes during off hours or during such time as agreed to by the Contractor. Since the pipe removed will remain the property of the facility operator and is to be disposed of by the facility operator, the facility operator shall be responsible for any required notifications, filings, dump charges and incidentals associated with the disposal of abandoned gas facilities found to contain Coal Tar Wrap.

4. Method Of Measurement:

Abandoned gas pipeline removal shall be measured for payment per linear foot of pipe and appurtenances removed.

5. Price To Cover:

The price shall cover all additional cost of supervision, labor, materials, equipment and insurance necessary to complete this work in accordance with the contract plans and specifications, including excavation by hand around and under other City and facility operator owned properties and, where necessary, the support and protection of such properties. The cost shall also include hand excavation in the area(s) of proposed abandoned pipe cut(s), cutting and/or burning of abandoned gas pipes and stockpile of removed sections of abandoned pipe and associated maintenance and protection of traffic, blocking and temporary fencing if required. The unit price shall also cover sealing open ends remaining in the excavation with concrete or end caps (end caps to be provided by the facility operator) and backfilling of the area where the abandoned pipeline has been removed with clean backfill material. This item does not include any type of extra excavation, backfilling, compaction, pavement removal and/or restoration (temporary and permanent) associated with abandoned pipe removal ("lost trench"), all of which are covered under separate Section 6.06. The price shall also include allowance for any loss of productivity by the Contractor due to required facility operator work to remove pipe coating and prepare pipe for cutting as well as any change in Contractor's excavation method, additional trucking and/or stockpiling costs.

SECTION 6.03.1a - Removal Of Abandoned Gas Facilities With Possible Coal Tar Wrap. All Sizes. (For Con Edison Work Only)

1. Description:

Under this section the Contractor shall provide all labor, material, equipment, insurance and, incidentals required to prepare abandoned gas mains, services and appurtenances thereof located within the street shown on contract plans, owned by the gas company operating in the project area (facility operator), for removal due to interference with proposed City work. These abandoned gas facilities were, at one time, used for or in connection with or to facilitate the conveying, transportation, distribution or furnishing of gas (natural, manufactured or a combination of both) for light, heat, or power, but does not include property used solely for or in connection with business of selling, distribution or furnishing of gas in enclosed containers. Such preparation for removal shall include only abandoned gas facilities that interfere with (i.e. cause additional work) City work. These gas facilities may be coated with Coal Tar Wrap which may contain asbestos or PCB's and so, may require special handling and disposal methods as specified in Con Edison - ASBESTOS MANAGEMENT MANUAL, CHAPTER 6 - ASBESTOS WORK PROCEDURES, SECTION 06.04 - COAL TAR WRAP REMOVAL. For under 25' (feet) in length and an approved NYC-DEP variance for over 25' (feet).

2. Determination Of Operating Status Of Gas Facilities:

The Contractor shall notify facility operator, as required by New York State Industrial Code 753. Gas Facilities shall not be removed without the approval of the facility operator whose authorized representative shall certify in writing (specific facility or area wide facilities certification) and in a timely manner acceptable to the Resident Engineer that abandoned facilities are free of combustible gas and any other environmental contaminants prior to removal. The Resident Engineer shall rely on the facility

operator's certification. The facility operator may request the excavation of test pits (See Section 6.07) for this determination ahead of City work and Contractor shall provide safe access, facilitate and permit facility operator to enter test pit excavations for the purpose of testing gas facilities. However, the facility operator may prefer to make this test during performance of City work in order to issue the above certification. This shall be permitted provided that it is agreed that additional costs, if any, resulting from this choice shall be a matter of adjustment between the Contractor and the facility operator only, and at no cost the City contract. Should such investigation result in the determination that the abandoned gas facilities do not contain Coal Tar Wrap then the removal of said facilities shall be covered under separate item (See Section 6.03).

3. Requirements:

The Contractor shall excavate abandoned gas facility sufficiently, either in its entirety, or at locations determined by Contractor to allow the removal of Coal Tar Wrap (if present on the abandoned gas facility) and to facilitate the safe extraction of manageable lengths of abandoned pipe without damage to adjacent facilities, utilities or city structures either parallel to or crossing above or below abandoned gas facility. The Contractor is to allow access to the designated cutting points within the Contractor's trench by authorized Con Edison personnel who will remove the Coal Tar Wrap as per Con Edison and/or NYC-DEP approved procedures. This access shall conform to all applicable codes, rules & regulations. This work by Con Edison personnel shall be performed in a timely fashion and shall not unduly impede the Contractor's progress and/or productivity. Upon completion of the coating removal, the Contractor shall be allowed to cut, burn or grind the gas facility and remove the section of abandoned pipe. Contractor shall designate a specific site to stockpile those removed pipes. The facility operator will be responsible to provide trucking and disposal services with its own personnel and shall remove the stockpiled pipes during off hours or during such time as agreed to by the Contractor. Since the pipe removed will remain the property of the facility operator and is to be disposed of by the facility operator, the facility operator shall be responsible for any required notifications, filings, dump charges and incidentals associated with the disposal of abandoned gas facilities found to contain Coal Tar Wrap.

4. Method Of Measurement:

Abandoned gas facility removal shall be measured for payment per linear foot of pipe and appurtenances removed.

5. Price To Cover:

The price shall cover all additional cost of supervision, labor, materials, equipment and insurance necessary to complete this work in accordance with the plans and specifications, including, but not limited to, excavation by hand around and under other City and facility operator owned properties and, where necessary, the support and protection of such properties. The cost shall also include hand excavation in the area(s) of proposed abandoned pipe cut(s), cutting and/or burning of abandoned gas pipes and stockpile of removed sections of abandoned pipe and associated maintenance of traffic, blocking and temporary fencing if required. The unit price shall also cover sealing open ends remaining in the excavation with concrete or end caps (end caps to be supplied by facility operator) and backfilling of the area where the abandoned pipeline has been removed with clean backfill material. This item does not include any type of extra excavation, backfilling, compaction, pavement removal and/or restoration (temporary and permanent) associated with abandoned pipe removal ("lost trench"), all of which are covered under separate Section 6.06. The price shall also include allowance for any loss of productivity by the Contractor due to required facility operator work to remove pipe coating and prepare pipe for cutting as well as any change in Contractor excavation method, additional trucking and/or stockpiling costs.

SECTION 6.04 - Adjust Hardware To Grade Using Spacer Rings/Adaptors. (Street Repaving.)

1. Description:

Under this section, the Contractor shall provide all labor, supervision, materials, equipment, insurance and incidentals required to adjust to final grade gas street surface hardware located within the contract area boundaries shown on the plans. The gas company operating in the area, (facility operator), owns these facilities. The work shall be performed in accordance with the contract plans, specifications and at the directions of the Resident Engineer in concurrence with authorized representative of the facility operator.

2. Materials:

The facility operator shall furnish and deliver all prefabricated hardware parts required. These include adaptors for the grade adjustment proper and new street hardware if existing ones are found to be defective, all in accordance with the facility operator standards and City rules and regulations. The Contractor shall notify the facility operator of the installation schedule at least three (3) business days before materials are required on the site. Should the facility operator fail to deliver the necessary material according to any schedule mutually agreed upon by the Contractor and facility operator, the City shall not be responsible for any delays attributable thereto, nor for the failure of delivery of such materials. On project where material storage is not permitted on site, the facility operator shall deliver the required material to the Contractor's yard and it shall be the Contractor's responsibility to transport the material to the work site when needed for installation. It shall also be the Contractor's responsibility to inspect the materials to be installed by him immediately upon delivery and advise the facility operator through its authorized representative, of all damaged materials. The Contractor at no additional expense to the City or the facility operator shall replace any material that is damaged or lost after the Contractor's inspection.

3. Method Of Measurement:

The Contractor shall be paid for each six (6) inch round box and/or nine (9) inch square box adjusted to grade regardless of adjustment height requirements.

4. Price To Cover:

The unit price bid for this item shall include all additional labor, supervision, insurance, equipment and material (except those to be provided by the facility operator), required to adjust each box to grade as required in the contract plans and specifications. The bid price shall also include the removal of existing frames and covers from existing facilities to be salvaged and returned to the facility operator and, all material transportation from the Contractor's material storage yard to the work site. In addition the bid price shall include "chipping" around existing box using appropriate means and methods where grinding is required.

SECTION 6.05 - Adjust Hardware To Grade By Resetting. (Road Reconstruction.)

1. Description:

Under this item, the Contractor shall provide all labor, supervision, materials, equipment, insurance and incidentals required to adjust to the proposed grade gas street surface hardware located within the contract area boundaries shown on the plans. The gas company operating in the area, (facility operator), owns these facilities. The work shall consist of either building up or lowering or resetting the casting by removing the existing frame and cover building up or decreasing the existing installation, replacing the frame and/or cover if damaged or worn out, as determined by the Resident Engineer, with a new frame and/or cover furnished by the owner, and setting the frame and cover to new elevation. The work shall be performed in accordance with the contract plans, specifications and at the directions of the Resident Engineer.

2. Materials:

The facility operator shall furnish and deliver all new hardware parts required. The Contractor shall furnish materials such as mortar, bricks and concrete in compliance with contract requirements. At locations where high-early strength concrete is required under this contract to be placed adjacent to gas facilities,

then the requirement for concrete shall be high-early strength complying with the current New York State Department of Transportation, Standard Specifications for Class F concrete. Existing castings may be replaced as required and deemed necessary by the Engineer and by City rules and regulations. The Contractor shall install the new castings of various sizes furnished by the facility operator. The Contractor shall notify the facility operator of the installation schedule at least three (3) business days before materials are required on the site and, shall provide off-loading services to the facility operator. Should the facility operator fail to deliver the necessary material according to any schedule mutually agreed upon by the Contractor and facility operator, the City shall not be responsible for any delays attributable thereto, nor for the failure of delivery of such materials. Such delays shall be a matter of adjustment between the Contractor and the facility operator. On project where material storage is not permitted on site, the facility operator shall deliver the required material to the Contractor's yard and it shall be the Contractor's responsibility to transport the material to the work site when needed for installation. It shall also be the Contractor's responsibility to inspect the materials to be installed by him, immediately upon delivery and advise the facility operator through its authorized representative, of all damaged materials. The Contractor at no additional expense to the City or the facility operator shall replace any material that is damaged or lost after the Contractor's inspection.

3. Methods Of Construction:

The Contractor shall remove and reinstall existing castings or install new castings to the proposed grade. Setting and resetting the castings shall be done with mortar and brick according to the standards of the facility operator. Work shall be performed in a workmanlike manner. Castings that are deemed unacceptable for resetting shall remain the property of the facility operator and he shall be responsible for their removal and proper disposal from site. No traffic shall be allowed on adjusted street hardware until permitted by the Engineer.

4. Method Of Measurement:

The Contractor shall be paid for each gas hardware adjusted to grade regardless of size or adjustment height requirements (up or down).

5. Price To Cover:

The unit price bid for this item shall include all additional labor, supervision, insurance, equipment and, material (except those to be provided by the facility operator), required to adjust each gas hardware to grade as required in the contract plans and specifications. The bid price shall also include the removal of existing frames and covers from existing facilities; building up the existing installations with bricks and mortar, or lowering the existing installation by removing bricks and mortar; replacing damaged frames and/or covers with new frames and/or covers furnished by the facility operator; setting the frames and covers to the new elevations; protect existing installations; repair minor structural damages to existing installations prior to resetting frames; unloading of furnished castings at the Contractor's yard and transporting castings from the Contractor's yard to the job site as required; completing the work in accordance with the contract plans, specifications and, at the directions of the Engineer. In addition the bid price shall include "chipping" around existing gas facilities using appropriate means and methods where grinding is required.

SECTION 6.06 - Special Care Excavation And Backfilling.

1. Description:

Under this section, the Contractor shall provide all labor, materials, equipment, insurance and incidentals required to support and protect the integrity of live gas facilities including mains, services, related structures and appurtenances during excavations. The gas company operating in the area, (facility operator), owns these facilities. The work shall be performed in accordance with the contract plans, specifications and at the directions of the Resident Engineer in consultation with authorized representatives of the facility operator.

2. Applicability Of Section:

This section shall apply to live gas facilities of various sizes located within two (2) feet of any face of unsheeted excavation, (unsheeted excavation refers to any excavation performed for city work and includes excavations performed that are to be subsequently sheeted using approved methods) and paralleling or, encroaching any face of excavation. Also, for crossings greater than forty-five (45) degrees and/or located at a cover depth greater than five (5) feet from existing street surface. Parallel facilities are not exposed at any time during excavation (See "Gas Cost Sharing Work Standard Sketch No. 5"). Encroaching facilities are partially exposed inside the limit of excavation (See "Gas Cost Sharing Work Standard Sketch No. 5"). This section shall also apply to gas facilities crossing catch basins excavation, and catch basins sewer connections (chutes) trench excavation only when extra depth (covered in other section), is not required for chutes installations because of such utilities interferences (See "Gas Cost Sharing Work Standard Sketch No. 3"). This section shall also apply to gas services (if shown or otherwise listed in contract documents) crossing unsheeted excavations for water mains, gas facilities crossing fire hydrant branch connections, house sewer and/or water service connections excavations. This section shall also apply for so called "loss trench", as described further, and for additional excavation (pavement and/or soil), backfilling, compaction, roadway base and pavement restoration due to abandoned gas facilities, only if removed by Contractor. If operating status of gas facilities cannot be determined prior to excavation then such facilities shall be considered live and this section shall fully apply. The excavation around fully exposed live gas facilities along and within limits of excavation (not crossings) shall be covered by this section also (not shown on "Gas Cost Sharing Work Standard Sketch No. 5"), however the support requirement, if any is required, of such facilities is beyond the scope of these specifications and therefore shall be the responsibility of facility operator to determine and prescribe, at no cost to the City contract, but shall be a matter of adjustment between the Contractor and facility operator.

3. Payment Restriction:

No special care excavation shall be paid for abandoned gas facilities paralleling and/or encroaching excavation and therefore are not in direct interference with City work. Except as allowed in this section, the bid item specified under this section shall not be used in combination with items covered under other sections for work done due to a particular gas facility. This item shall not be paid for new gas facilities when trenching for such new facilities has been performed by the Contractor of record in common with trench excavation for City Work (overlapping trench limits). The cost of excavating with care as defined in this section shall be deemed included in the cost of trench excavation for the new gas facilities. This restriction shall apply even if such gas common trench excavation is not part of the contract. If facilities are in direct interference with City work, meaning that "Minimum Clearances" described in "General Provisions; Gas Cost Sharing Work Paragraph No. 8" cannot be maintained and excavation has to be temporarily or permanently abandoned then this particular location shall become a test pit and dealt with as specified in Section 6.07 and "General Provisions; Gas Cost Sharing Work Paragraphs Nos. 2 and 8".

4. Method Of Construction:

All excavation in the vicinity of gas facilities shall be as required by NYS Industrial Code 753. Where these facilities are paralleling and located two (2) feet or less from the limits of the proposed excavation, the Contractor shall use hand excavation methods (pick and shovel or hand held power tools) to ascertain the clearances of these facilities with respect to the proposed excavation. Once the location of these facilities with respect to the proposed excavation is verified to the satisfaction of the Resident Engineer, the Contractor shall then proceed with a combination of hand and machine excavation as required preserving the integrity of the facilities. The installation of timber supports or underpinning, when soil foundation cannot fully support partially exposed pipes, may be required to prevent pipe movement as directed by the Resident Engineer.

5. Method Of Payment:

The unit price for this work item shall be based on cubic yard (CY) of average excavation with care and, is to be considered as an incremental cost for performing City work with gas facilities interferences.

6. Method Of Measurement:

- A. For Paralleling Facilities: Volume calculated as: Depth as measured from existing street surface to the bottom of unsheeted trench excavation allowable by OSHA regulations, multiplied by, the width measured as one (1) foot from the face of excavation toward the center of excavation, multiplied by the length of parallel facility, divided by twenty-seven (27) cubic feet per cubic yard (See "Gas Cost Sharing Work Standard Sketch No. 5"). The gas facility is no longer considered to be in interference once sheeting has been installed, therefore no further compensation for paralleling facilities as described above will be made.
- B. For Encroaching Facilities: Volume calculated as: Depth of trench as allowable by OSHA, maximum up to five (5) feet multiplied by, the width of partially exposed pipe plus one (1) foot, multiplied by the length of facility encroachment, divided by twenty-seven (27) cubic feet per cubic yard (See "Gas Cost Sharing Work Standard Sketch No. 5").
- C. Fully Exposed Gas Facilities: (Not shown on "Gas Cost Sharing Work Standard Sketch No. 5") along and inside trench and/or crossing trench at an angle greater than forty-five (45) degrees and/or a cover depth greater than five (5) feet from the existing street surface. The volume shall be measured as the depth of trench excavation multiplied by the distance measured along the sheeting line between two (2) points of intersections of the gas facilities and the sides of trench excavation, multiplied by the width of trench excavation.
- D. For Additional Excavation And Restoration Due To So Called "Loss Trench", When The Integrity Of Pavement And Soil Above And Around Existing Live Gas Facilities Cannot Be Maintained Due To Its Lack Of Cohesiveness: Volume shall be calculated as: Depth of unsheeted trench excavation multiplied by width measured as distance of facility from closest edge of unsheeted excavation plus, width of facility proper plus, one (1) foot or a maximum width of three (3) feet multiplied by length of facility fully exposed divided by, twenty-seven (27) cubic feet per cubic yard (not shown on "Gas Cost Sharing Work Standard Sketch No. 5").
- E. For Facilities Crossing Excavation For Catch Basins, Or Chutes Installations (When NYCDEP Funded) Or Fire Hydrant Branch Connections, Or Unsheeted Water Main Trench, Or House Sewer And/Or Water Services: Volume calculated as: Depth as measured from existing street surface to the bottom of the trench excavation multiplied by, the width taken as the outside diameter of pipe or the width of structure plus one (1) foot on either side (two (2) feet), multiplied by, the length of exposed facility crossing the trench, divided by twenty-seven (27) cubic feet per cubic yard (not shown on "Gas Cost Sharing Work Standard Sketch No. 5").

Overlapping volume dimensions measured as described above may occur when multiple facilities are paralleling excavations, encroaching excavations or crossing catch basins and catch basin chute installations. In such cases, all such facilities shall be counted as one limited by the extreme pipes, faces (See "Gas Cost Sharing Work Standard Sketch No. 2"). The volume shall then be calculated as described above.

7. Price To Cover:

The bid price shall also cover all additional supervision, labor, material, equipment and insurance necessary to excavate while protecting and maintaining (excluding supports for fully exposed live gas) gas facilities without disruption of service to the public and in accordance with contract specifications. The price shall also include, changes of sheeting method and excavation width configuration where necessary to accommodate gas facilities in their existing locations; difficulties during the installation of catch basins, chute connections, hydrant branch, and house sewer and water connections under or over gas facilities; loss of productivity due to slower rate of excavation (special care) during excavation, including the use of such methods as: hand excavation around existing single and multiple facilities, extra excavation and backfilling due to lost trench because of existing and adjacent gas facilities, compaction, removal of sheeting from the facilities, extra roadway base restoration and temporary pavement, associated

maintenance and protection of traffic, barricades, and traffic plates that may be required to temporarily close and/or complete the work.

SECTION 6.07 - Test Pits For Gas Facilities.

1. Description:

Under this section, the Contractor shall furnish all labor, materials, insurance, equipment and appliances necessary to excavate, sheet and, maintain test pits at locations approved by the Resident Engineer in consultation with the facility operator. Test pits shall be dug in order to ascertain exact locations, cover and invert elevations, clearances, alignment and operating status (live or dead) of existing gas facilities. The Contractor shall inspect jointly with the Resident Engineer and facility operator, gas facilities and other structures uncovered, take all relevant measurements and elevations as directed by the Resident Engineer. Tests to determine operating status of gas facilities shall be performed by facility operator. The pits shall be covered with steel plates during daytime nonworking hours, and uncovered, as required, until the inspection work is completed. Testing of gas facilities may require a maximum of four (4) hours. Then, the pits shall be backfilled with clean fill, and resurfaced with temporary pavement. All traffic shall be maintained and all safety measures as stipulated shall be complied with.

2. Methods Of Construction:

A. Excavation: Existing pavement to be removed shall be neatly cut along lines of removal with a saw or other approved equipment which leaves a neat straight joint line along the juncture with subsequently replaced pavement. Excavation in the vicinity of utilities and other structures shall be performed using hand tools. Use of hand operated pneumatic and electric jackhammers will be permitted only for breaking pavement and removal of masonry, concrete and boulders, or as otherwise directed by the Resident Engineer. The Contractor shall properly dispose of all materials excavated from test pits away from site. Test pits shall be excavated at locations shown on the contract drawings or as directed by the Resident Engineer. Additional test pits may be required and shall be excavated where required, as ordered by the Resident Engineer. All test pits shall be excavated to a depth and size necessary to locate the existing facilities. Sheeting shall be used when depth of excavation exceeds five (5) feet. The sheeting required shall be furnished and installed in full compliance with the State of New York and Federal Safety Codes requirements and as specified in contract, whichever is more stringent. Care shall be taken that no existing gas facilities or other structures are broken or damaged. All broken or damaged facilities shall be reported immediately to facility operator who shall decide whether such facilities shall be repaired or replaced by company forces or by City contractor and in conformance with "General Provisions; Gas Cost Sharing Work Paragraph No. 9". Contractor shall excavate all material encountered, including large masses of concrete, cemented masonry and boulders, as directed by the Resident Engineer. Any type of excavation protection used, shall satisfy the following:

(a) Industrial Code Rule 753.

(b) Prevent injury to workers and the public, and avoid damage to existing water, sewer, and gas pipes or other structures, and to pavements and their foundations, through caving or sliding of the banks of the excavation.

Should it become necessary, as determined by the Resident Engineer, to enlarge any test pit in any dimension after sheeting has been placed, the Contractor shall remove portions of the sheeting, as necessary, enlarge the test pits as directed, and replace the sheeting without additional compensation for this work other than for the additional volume of material excavated.

B. Maintenance Of Test Pits: Excavated test pits shall be maintained free of debris and kept dry by the Contractor in order to permit the inspection and measurements and to determine the locations of facilities. In order to accomplish this, Contractor shall, upon completion of excavation and placement of sheeting (if depth greater than five (5) feet), furnish and install adequate steel plates and posting over the excavated pits and shall temporarily remove all equipment debris and workers, and relocate

barricades in order to open the full width of street to traffic during nonworking hours. The Contractor shall then, at no additional cost, relocate such barricades, barrels, cones and other warning devices and remove steel plates, as and when directed by the Resident Engineer to facilitate the inspection of exposed facilities. When work is being performed and the pits are not covered with steel plates, the Contractor shall provide complete and safe access to the test pits as may be required, and he shall provide construction barricades and maintain traffic at all times as shown or as directed by the Resident Engineer. Upon completion of test pit inspection by the Resident Engineer, the pit shall be backfilled by the Contractor as specified in contract, except that backfill material shall conform to contract specifications for such purpose.

- C. Pavement And Sidewalk Restoration: After backfilling is completed, the Contractor shall construct a temporary pavement consisting of a minimum of four (4) inches thick asphaltic concrete mixture in roadway areas or a two (2) inches thick asphaltic concrete mixture in sidewalk areas in order to maintain existing pedestrian and vehicular traffic. This temporary pavement shall be maintained until permanent pavement and sidewalk replacement is constructed as specified in contract.

3. Measurements:

The quantity to be measured for payment shall be the number of cubic yards of material removed from within the limits of the pit dimensions as directed by the Resident Engineer. The volume occupied by existing pipes or other structures remaining within the maximum payment lines will not be deducted from the total volume measured except, where the cross sectional area of these facilities exceeds four (4) square feet. As determined by the Resident Engineer, the quantity measured for payment may be proportionate to a fair and reasonable estimate of gas responsibility in the total volume excavated.

4. Price To Cover:

The contract price bid per cubic yard for test pits shall cover all additional costs of labor, material, insurance, equipment, appliances and incidentals required to excavate test pits, including removal and disposal of excavated materials, sheeting, steel plating, backfill, compaction and temporary pavement and sidewalk restoration all in accordance with the specifications and as directed by the Resident Engineer. The price shall also include the cost of providing safe access to the excavation by facility operator for the performance of certain test to determine operating status of gas facilities prior to City work. The price shall also include support and protection of all gas facilities crossing excavation, paralleling and/or encroaching any face of excavation.

SECTION 6.08 - "NO TEXT"

**SECTION 6.09 - Trench Excavation and Backfill for New Gas Mains and Services
(For National Grid Work Only)**

1. Description:

Under this section, the contractor shall furnish all labor, materials, equipment, insurance, permits and incidentals required to break/remove roadway and sidewalk pavement, excavate, backfill and restore gas trenches. The trench to be excavated shall be determined by the size of the gas facility to be installed. The work shall be performed in accordance with applicable specifications, and/or at the direction of the Resident Engineer in consultation with the facility operator.

2. Materials:

All materials used to excavate and prepare trenches shall be supplied by the Contractor and be approved by the facility operator in consultation with the Resident Engineer.

3. Method of Construction:

Excavation – The Contractor shall saw cut and/or break and remove existing roadway which may include but is not limited to, asphalt, concrete and cobblestone, utilizing approved equipment that leaves a neat straight joint line along the juncture with subsequently replaced pavement. Prior to starting the trenching operation, the contractor shall excavate the appropriate gas main tie-in pits at the extremities of the gas main sections to be replaced. Test pits shall be excavated to determine exact location of all tie-in pits and at appropriate intervals along proposed trench excavation to verify lane and clearances as shown on the contract plans. The tie-in pits shall be adequately protected by the contractor using wood fencing or steel traffic plates until such time when the facility operator has completed the tie-in work. The Contractor shall be permitted to excavate utilizing a combination of machine and hand excavation, as field conditions warrant, and as directed by the facility operator. The trench shall be adjusted so as to provide for a nominal cover on the new gas facilities or as required based on field conditions, applicable specifications, or as directed by the facility operator in consultation with the Resident Engineer. The width of the trench shall be as directed by the facility operator in consultation of the Resident Engineer. The bottom of the trench shall be graded smooth with a minimum cushion of 3 inches of clean sand and in conformance with applicable specification and be compacted, to minimize initial settlement and to avoid "point" support of new gas facilities. All stones projecting into the trench bottom shall be removed, and the voids backfilled before the new gas facilities are installed. Where streets are not to final grade, the cover shall be measured from the final grade, or the existing grade, whichever provides the deeper trench. Excavation in the vicinity of utilities and other structures shall be performed using hand tools. The contractor shall properly dispose of all materials excavated away from site. Size and location of excavation shall be as directed by the facility operator in consultation with the Resident Engineer. Trenches shall be excavated to a depth and size necessary to facilitate the installation of the new gas facility and in conformance with the applicable specification. All existing facilities that are encountered during trench excavating shall be protected in a manner suitable to the facility operator in consultation with the Resident Engineer. Tight sheeting shall be used, as required, based on field conditions and/or when the depth of excavation is equal to or greater than five feet. Skeleton type sheeting will not be permitted. The sheeting required shall be furnished and installed in full compliance with the State of New York and Federal Safety Code requirements and in compliance with applicable specifications and/or as directed by the facility operator in consultation with the Resident Engineer. Care shall be taken that no existing gas facilities or other structures are broken or damaged. Contractor shall excavate all material encountered necessary to facilitate the installation of the new gas facilities, and as directed by the facility operator. Care should be taken to avoid damage to existing utility facilities and structures, and to pavements and their foundations, and to avoid caving or sliding banks within the excavation.

Maintenance of Trench Excavation - Excavated trenches shall be maintained free of debris and kept dry by the contractor. In order to accomplish this, contractor shall, upon completion of excavation and placement of sheeting (as required and/or if depth is equal to or greater than five feet), furnish and install adequate steel plates, as directed by the facility operator in consultation with the Resident Engineer, and posting over the excavated trenches and shall temporarily remove all equipment debris and workers, and relocate barricades in order to open the full width of street to traffic during non-working hours, as required based on DOT requirements. National Grid forces will perform all live gas main connections, dead gas main cut-outs, and/or service work associated with disconnecting and reconnecting from old to new gas main. The Contractor shall then, at no additional cost, relocate such barricades barrels, cones and other warning devices and remove steel plates, as and when directed by the facility operator in consultation with the Resident Engineer to facilitate the installation of the new gas facilities. When work is being performed and the excavations are not covered with steel plates, the Contractor shall provide complete and safe access to the trench as may be required, and shall provide construction barricades and maintain traffic at all times as shown or as directed by the facility operator in consultation with the Resident Engineer. The contractor has the responsibility to maintain and set to grade all National Grid hardware during backfill and pavement restoration. Upon completion of installation of the new gas facility, the trench excavation shall be backfilled by the contractor in accordance with Contract requirements and all backfill material shall conform to contract specifications for such purpose.

Pavement and Sidewalk Restoration - After backfilling is completed, the contractor shall install temporary pavement consisting of six inches (6") thick asphaltic concrete mixture in roadway areas or a two inches (2")

thick asphaltic concrete mixture in sidewalk areas in order to maintain existing pedestrian and vehicular traffic. This temporary pavement shall be maintained until permanent replacement as specified in contract. Permanent pavement restoration shall be as required by the appropriate contract specifications and as directed by the Resident Engineer.

4. Method of Measurement:

The quantity to be measured for payment shall be the number of cubic yards (C.Y.) of trench actually excavated, including roadway pavement, base and/or sidewalk concrete removed within the limits of the trench as directed by the Resident Engineer in consultation with the facility operator. The volume occupied by existing pipes or other structures will be deducted from the total volume measured as shown on contract drawing(s) Title: EP-7 SECT. 6.09 GAS SPECIALTY CONTRACTOR WORK, or as encountered based on existing field conditions.

5. Price to Cover:

The unit price bid per cubic yard for excavation shall include the cost of all supervision, labor, material, equipment, insurance and incidentals necessary to complete excavation trenches, including backfill, compaction testing and restoration of trenches and tie-ins pits as specified or shown on the contract, plans. The bid price shall also include the cost of coordinating the sewer and water main work to be performed by the contractor with the gas installation work to be performed by others. The price shall also include, associated maintenance of traffic, and traffic plates and openings and closings of plates as may be required in order to provide access to the facility operator during the new gas facility installation, and installing, removing and maintaining tight sheeting that may be required, cut, break and remove various thickness of surface and base pavement, excavate by hand, furnish, place and compact, in compliance with DOT requirements, clean sand backfill following installation of the gas facility. Any required removing, trucking, storing, and disposing of material shall be deemed included in the unit price. The price shall also include the cost of providing temporary pavement restoration. Permanent pavement restoration shall be deemed included in this item, as required and as directed by the Resident Engineer.

SECTION 6.09a Trench Excavation and Backfill for New Gas Mains and Services (For Con Edison Work Only)

1. Description:

Under this section, the contractor shall furnish all labor, materials, equipment, insurance, permits and incidentals required to break/remove roadway and sidewalk pavement, excavate, backfill and restore gas trenches. The trench to be excavated shall be determined by the size of the gas facility to be installed. The work shall be performed in accordance with applicable specifications, and/or at the direction of the Resident Engineer in consultation with the facility operator.

2. Materials:

All materials used to excavate and prepare trenches shall be supplied by the Contractor and be approved by the facility operator in consultation with the Resident Engineer. Clean sand backfill material shall be used and shall conform to Con Edison specification EO-1181-rev.6, General Specification for Backfilling of Trench and Small Openings.

3. Method of Construction:

Excavation – The Contractor shall saw cut and/or break and remove existing roadway which may include but is not limited to, asphalt, concrete and cobblestone, utilizing approved equipment that leaves a neat straight joint line along the juncture with subsequently replaced pavement. Prior to starting the trenching operation, the contractor shall excavate the appropriate gas main tie-in pits at the extremities of the gas main sections to be replaced. Test pits shall be excavated to determine exact location of all tie-in pits and at appropriate intervals along proposed trench excavation to verify lane and clearances as shown on the contract plans. The tie-in pits shall be adequately protected by the contractor using wood fencing or steel

traffic plates until such time when the facility operator has completed the tie-in work. The Contractor shall be permitted to excavate utilizing a combination of machine and hand excavation, as field conditions warrant, and as directed by the facility operator. The trench shall be adjusted so as to provide for a nominal cover on the new gas facilities or as required based on field conditions, applicable specifications, or as directed by the facility operator in consultation with the Resident Engineer. The width of the trench shall be as directed by the facility operator in consultation of the Resident Engineer. The width and depth of the trench shall conform to Con Edison Gas Operations drawing 309495 rev. 4, Trench Excavation for Gas Mains Up to 350 PSIG, or as directed by the facility operator in consultation of the Resident Engineer. The bottom of the trench shall be graded smooth with a minimum cushion of 3 inches of clean sand and in conformance with applicable specification and be compacted, to minimize initial settlement and to avoid "point" support of new gas facilities. All stones projecting into the trench bottom shall be removed, and the voids backfilled before the new gas facilities are installed. Where streets are not to final grade, the cover shall be measured from the final grade, or the existing grade, whichever provides the deeper trench. Excavation in the vicinity of utilities and other structures shall be performed using hand tools. The contractor shall properly dispose of all materials excavated away from site. Size and location of excavation shall be as directed by the facility operator in consultation with the Resident Engineer. Trenches shall be excavated to a depth and size necessary to facilitate the installation of the new gas facility and in conformance with the applicable specification. All existing facilities that are encountered during trench excavating shall be protected in a manner suitable to the facility operator in consultation with the Resident Engineer. Tight sheeting shall be used, as required, based on field conditions and/or when the depth of excavation is equal to or greater than five feet. Skeleton type sheeting will not be permitted. The sheeting required shall be furnished and installed in full compliance with the State of New York and Federal Safety Code requirements and in compliance with applicable specifications and/or as directed by the facility operator in consultation with the Resident Engineer. Care shall be taken that no existing gas facilities or other structures are broken or damaged. Contractor shall excavate all material encountered necessary to facilitate the installation of the new gas facilities, and as directed by the facility operator. Care should be taken to avoid damage to existing utility facilities and structures, and to pavements and their foundations, and to avoid caving or sliding banks within the excavation.

Maintenance of Trench Excavation - Excavated trenches shall be maintained free of debris and kept dry by the contractor. In order to accomplish this, contractor shall, upon completion of excavation and placement of sheeting (as required and/or if depth is equal to or greater than five feet), furnish and install adequate steel plates, as directed by the facility operator in consultation with the Resident Engineer, and posting over the excavated trenches and shall temporarily remove all equipment debris and workers, and relocate barricades in order to open the full width of street to traffic during non-working hours, as required based on DOT requirements. Con Edison forces will perform all live gas main connections, dead gas main cut-outs, and/or service work associated with disconnecting and reconnecting from old to new gas main. The Contractor shall then, at no additional cost, relocate such barricades barrels, cones and other warning devices and remove steel plates, as and when directed by the facility operator in consultation with the Resident Engineer to facilitate the installation of the new gas facilities. When work is being performed and the excavations are not covered with steel plates, the Contractor shall provide complete and safe access to the trench as may be required, and shall provide construction barricades and maintain traffic at all times as shown or as directed by the facility operator in consultation with the Resident Engineer. The contractor has the responsibility to maintain and set to grade all Con Edison hardware during backfill and pavement restoration. Upon completion of installation of the new gas facility, the trench excavation shall be backfilled by the contractor in accordance with Contract requirements and all backfill material shall conform to contract specifications for such purpose.

Pavement and Sidewalk Restoration - After backfilling is completed, the contractor shall install temporary pavement consisting of six inches (6") thick asphaltic concrete mixture in roadway areas or a two inches (2") thick asphaltic concrete mixture in sidewalk areas in order to maintain existing pedestrian and vehicular traffic. This temporary pavement shall be maintained until permanent replacement as specified in contract. Permanent pavement restoration shall be as required by the appropriate contract specifications and as directed by the Resident Engineer.

4. Method of Measurement:

The quantity to be measured for payment shall be the number of cubic yards (C.Y.) of trench actually excavated, including roadway pavement, base and/or sidewalk concrete removed within the limits of the trench as directed by the Resident Engineer in consultation with the facility operator. The volume occupied by existing pipes or other structures will be deducted from the total volume measured as shown on contract drawing(s) Title: EP-7 SECT. 6.09 GAS SPECIALTY CONTRACTOR WORK, or as encountered based on existing field conditions.

5. Price to Cover:

The unit price bid per cubic yard for excavation shall include the cost of all supervision, labor, material, equipment, insurance and incidentals necessary to complete excavation trenches, including backfill, compaction testing and restoration of trenches and tie-ins pits as specified or shown on the contract, plans. The bid price shall also include the cost of coordinating the sewer and water main work to be performed by the contractor with the gas installation work to be performed by others. The price shall also include, associated maintenance of traffic, and traffic plates and openings and closings of plates as may be required in order to provide access to the facility operator during the new gas facility installation, and installing, removing and maintaining tight sheeting that may be required, cut, break and remove various thickness of surface and base pavement, excavate by hand, furnish, place and compact, in compliance with DOT requirements, clean sand backfill following installation of the gas facility. Any required removing, trucking, storing, and disposing of material shall be deemed included in the unit price. The price shall also include the cost of providing temporary pavement restoration. Permanent pavement restoration shall be deemed included in this item, as required and as directed by the Resident Engineer.

GAS COST SHARING STANDARD SPECIFICATIONS
SCHEDULE GCS-A

Average rate charged by utility companies to Disconnect and Reconnect Gas Services:

- 1. National Grid - \$586.90 per Service/and Visit
- 2. Con Edison - \$524.00 per Service/and Visit

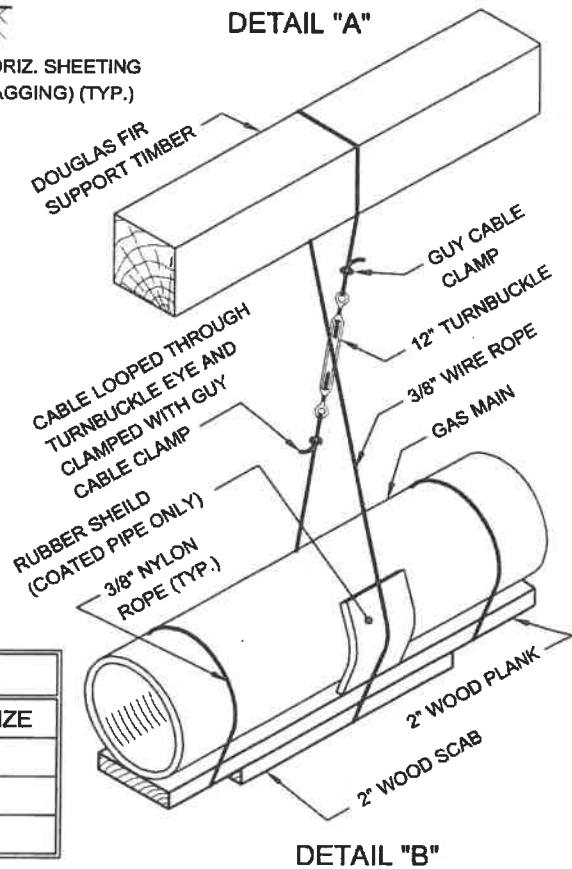
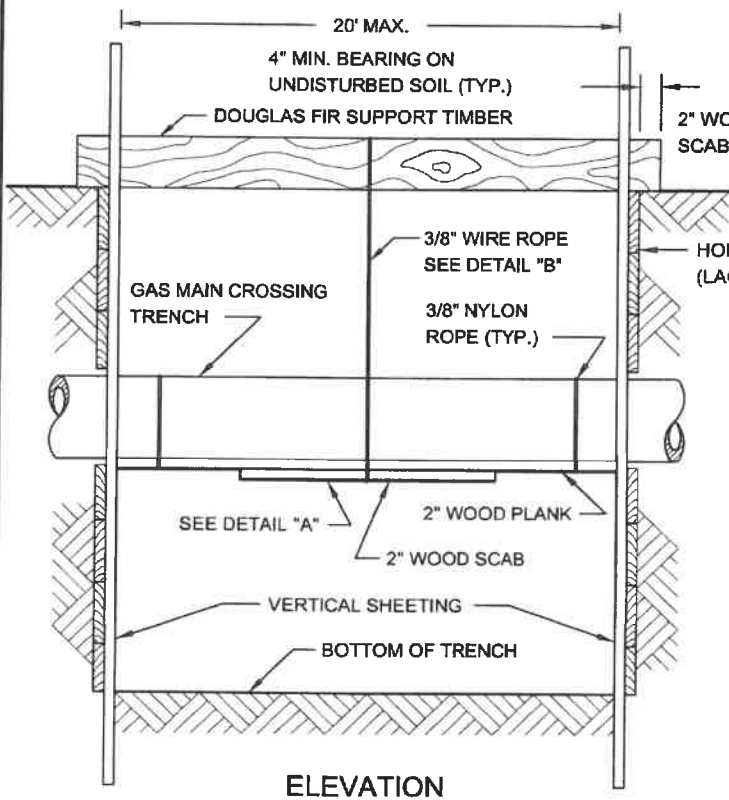
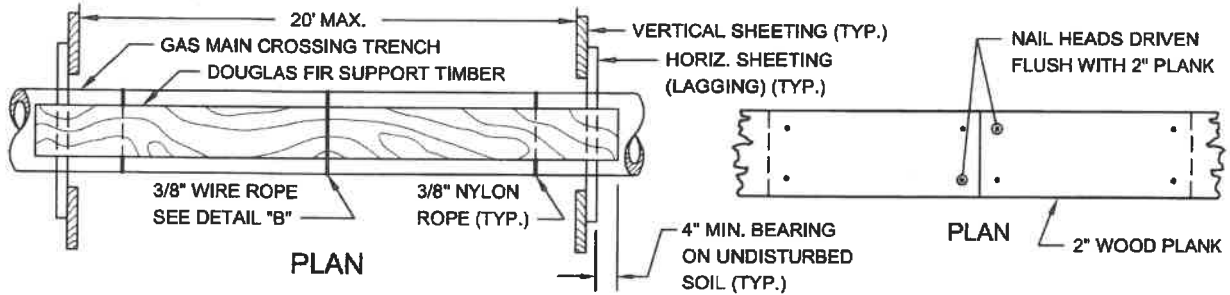
IV - STANDARD SKETCHES; GAS COST SHARING WORK

Hereinafter attached are the following Standard Sketches for Gas Cost Sharing Work:

- Sketch No. 1 - Support Requirements For Gas Mains And Services Crossing Excavation Greater Than 4' - 0" Wide At Any Angle
- Sketch No. 1A - Support Requirements For Gas Mains Over 16" Diameter Up To And Including 48" Diameter Crossing Excavation At Any Angle
- Sketch No. 2 - Typical Methods Of Measurement For Gas Crossings
- Sketch No. 3 - Utility Crossings During Catch Basin Chute Connection Pipe Installation
- Sketch No. 4 - Utility Crossings During Catch Basin Chute Connection Pipe Installation (Extra Depth)
- Sketch No. 5 - Gas Main Encroachment On And/Or Parallel To Excavation Of Unsheeted Trench

GAS COST SHARING WORK (SKETCH NO. 1)

SUPPORT REQUIREMENTS FOR GAS MAINS AND SERVICES CROSSING EXCAVATION GREATER THAN 4'-0" WIDE AT ANY ANGLE

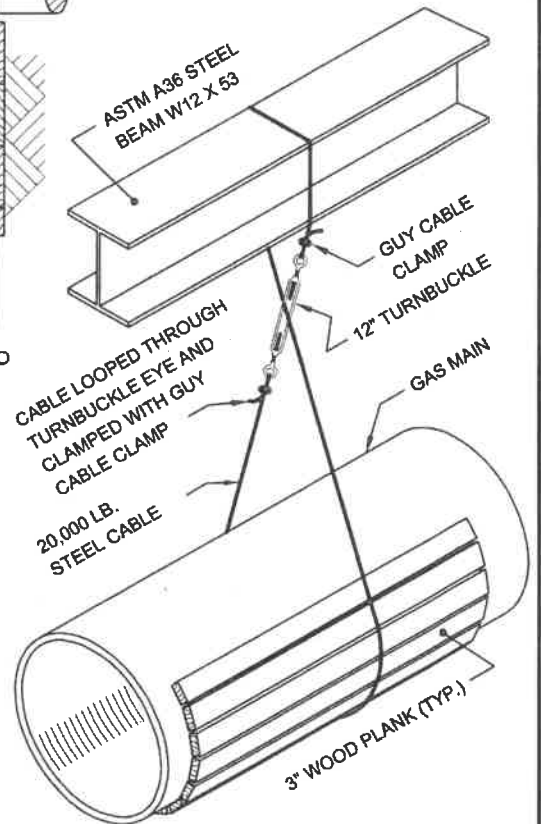
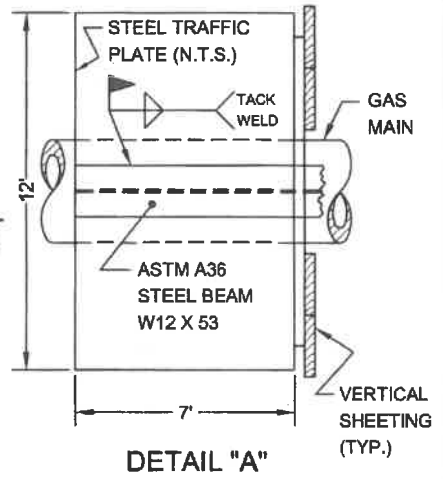
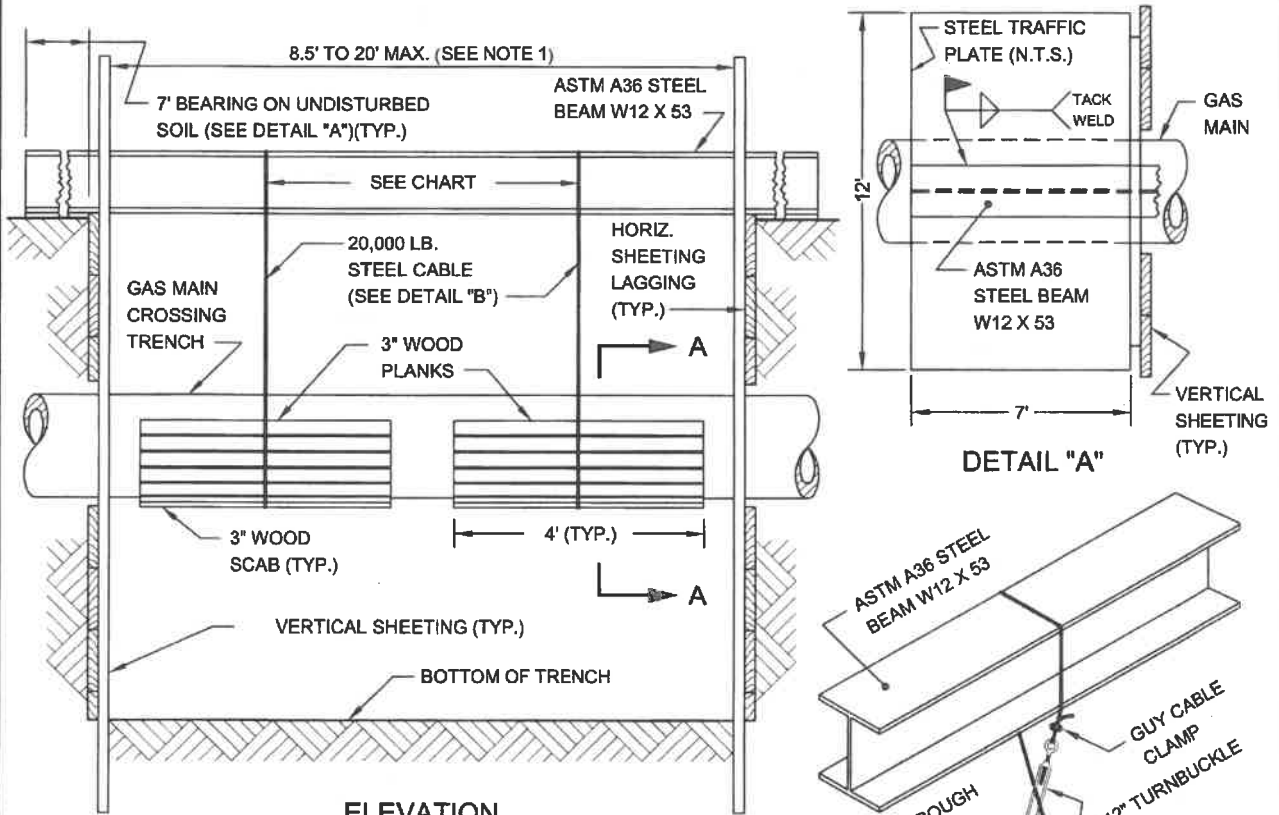


CABLE SUPPORT		TIMBER SUPPORT	
MAIN TYPE	SPACING	MAIN SIZE	TIMBER SIZE
CAST IRON	4' O.C. MAX.	UP TO 6"	6" X 6"
STEEL	10' O.C. MAX.	8" TO 10"	8" X 8"
PLASTIC	10' O.C. MAX.	12" TO 16"	10" X 10"

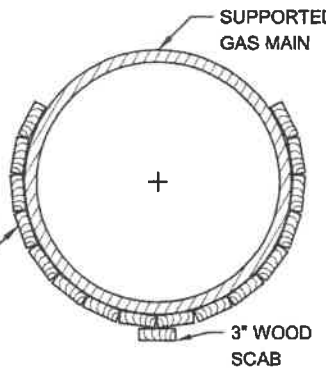
REVISED OCT. 2004 - L. ADRIEN
REVISED JUNE 1998 - J. WONG/TW. PATALANOP, MOY

GAS COST SHARING WORK (SKETCH NO. 1A)

SUPPORT REQUIREMENTS FOR GAS MAINS OVER 16" DIAMETER UP TO AND INCLUDING 48" DIAMETER CROSSING EXCAVATION AT ANY ANGLE



CABLE SUPPORT	
MAIN TYPE	SPACING
CAST IRON	4' O.C. MAX.
STEEL	10' O.C. MAX.



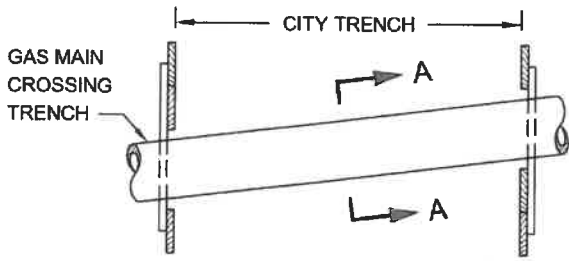
NOTES:

- (1) NO SUPPORT IS REQUIRED FOR GAS MAINS OVER 16" DIA. UP TO AND INCLUDING 48" DIA. CROSSING TRENCHES LESS THAN 8.5' WIDE.
- (2) UNDERMINE A MAXIMUM OF 8.5 L.F. OF CAST IRON GAS MAIN AT A TIME.
- (3) SET STEEL CABLE OVER 3" WOOD PROTECTIVE PLANKS AND PLACE AN ADDITIONAL 3" SCAB ON THE BOTTOM OF THE GAS MAIN.
- (4) ADJUST STEEL CABLE UNTIL DEAD WEIGHT OF THE UNDERMINED GAS MAIN HAS BEEN TAKEN UP BY THE OVERHEAD STEEL BEAM SUPPORT.
- (5) ALL SUPPORTS AND STEEL CABLES CAN BE REMOVED ONLY AFTER THE REQUIRED BACKFILL (AROUND AND BELOW GAS MAIN) HAS BEEN COMPACTED IN ACCORDANCE WITH NEW YORK CITY STANDARDS AND AT THE DIRECTIONS OF THE ENGINEER.

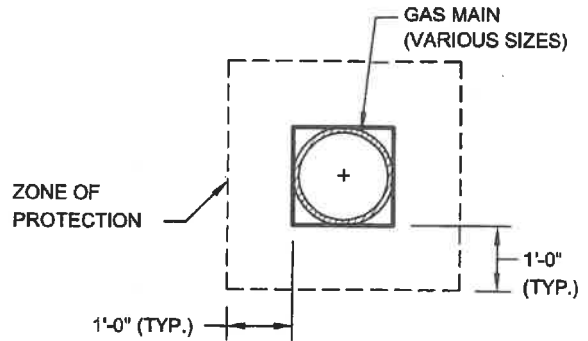
REVISIONS: OCT. 2004 - L. ADRIEN
 REVISED JUNE 1998 - J. WONG / W. PATAKAR / W. MOY

GAS COST SHARING WORK (SKETCH NO. 2)

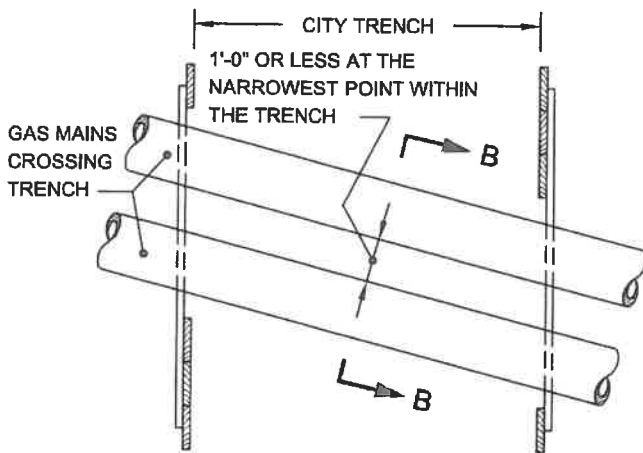
TYPICAL METHODS OF MEASUREMENT FOR GAS CROSSINGS



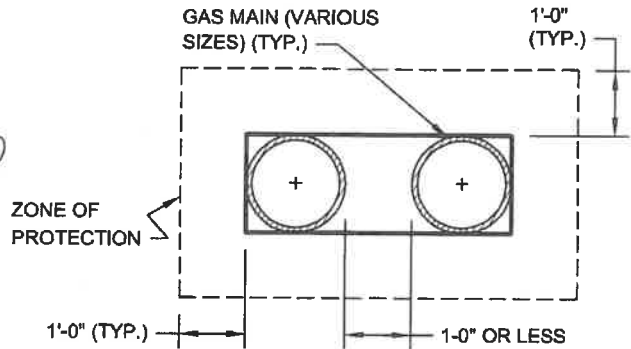
SINGLE FACILITY CROSSING



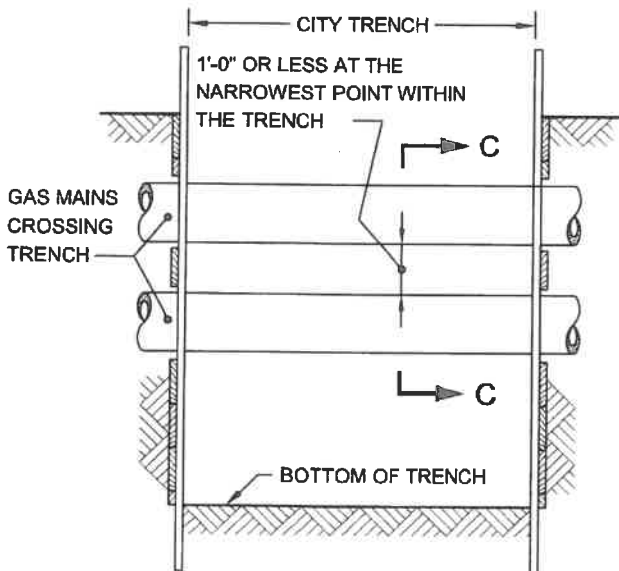
SECTION A-A



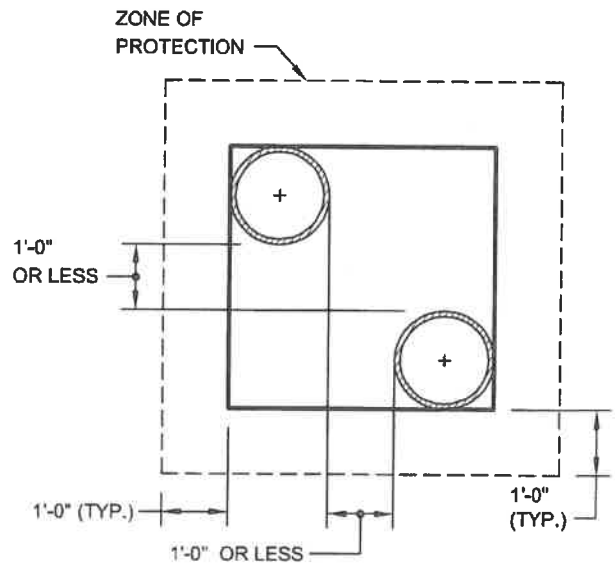
**MULTIPLE FACILITIES
(GAS MAINS AT SAME ELEVATION)**



SECTION B-B



**MULTIPLE FACILITIES
(ONE CROSSING AT DIFFERENT ELEVATIONS)**

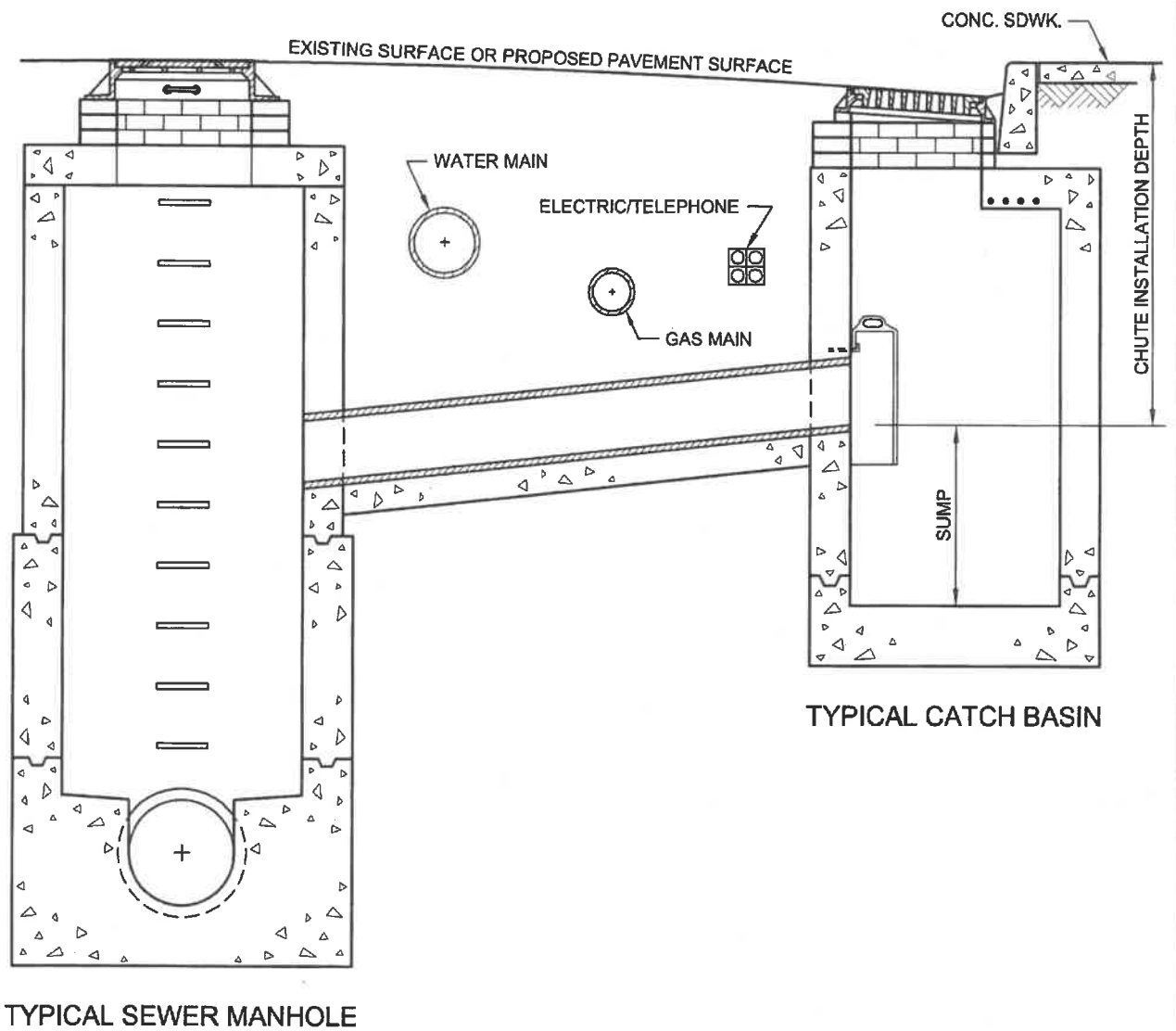


SECTION C-C

NOTE:

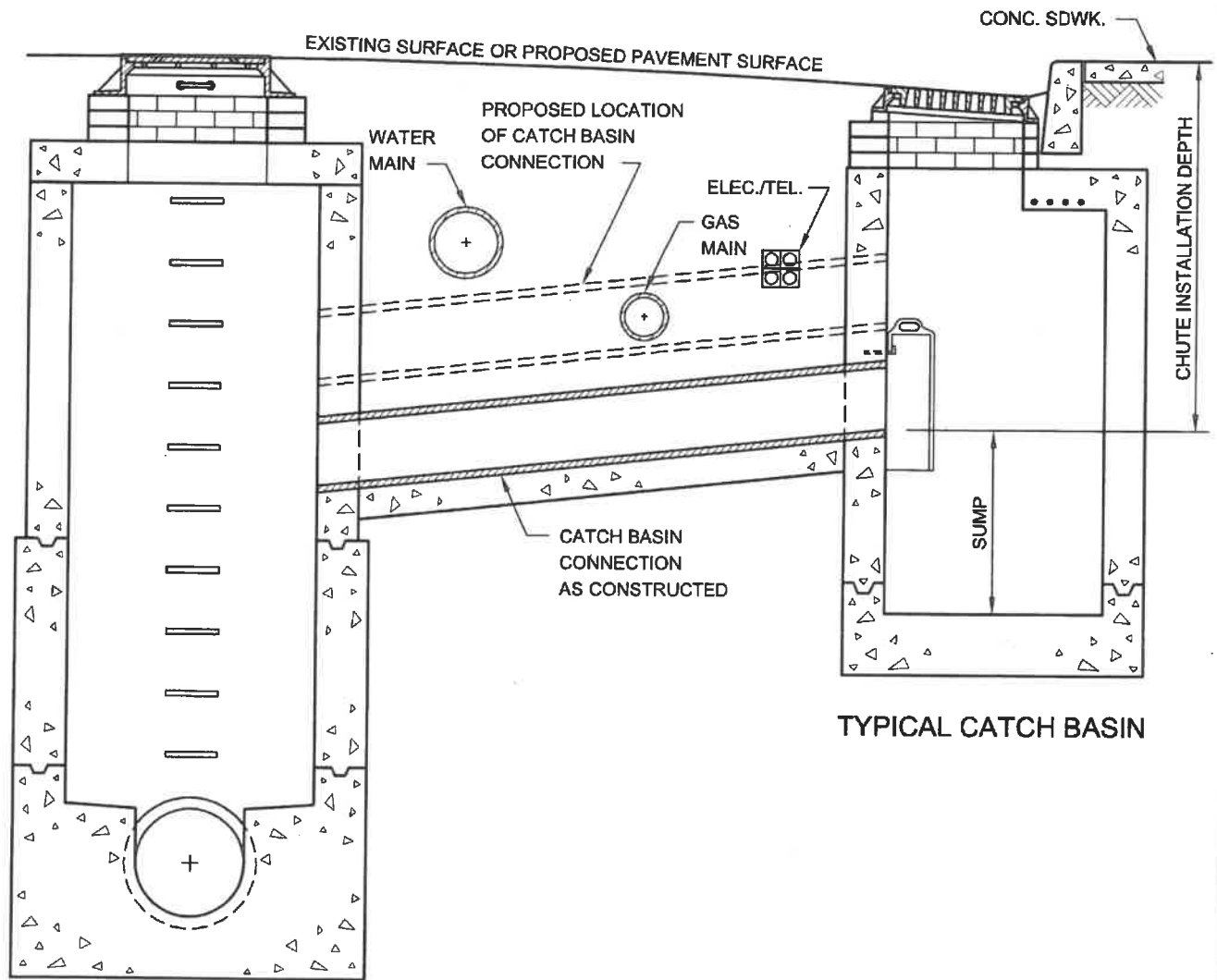
GAS MAINS MAY OR MAY NOT BE PARALLEL TO EACH OTHER.

GAS COST SHARING WORK (SKETCH NO. 3)
UTILITY CROSSINGS DURING CATCH BASIN CHUTE
CONNECTION PIPE INSTALLATION



REVISED OCT. 2004 - J. ADRIEN
 REVISED OCT. 1998 - J. WONG/GW. PATALANOP. MOY

GAS COST SHARING WORK (SKETCH NO. 4)
UTILITY CROSSINGS DURING CATCH BASIN CHUTE
CONNECTION PIPE INSTALLATION (EXTRA DEPTH)

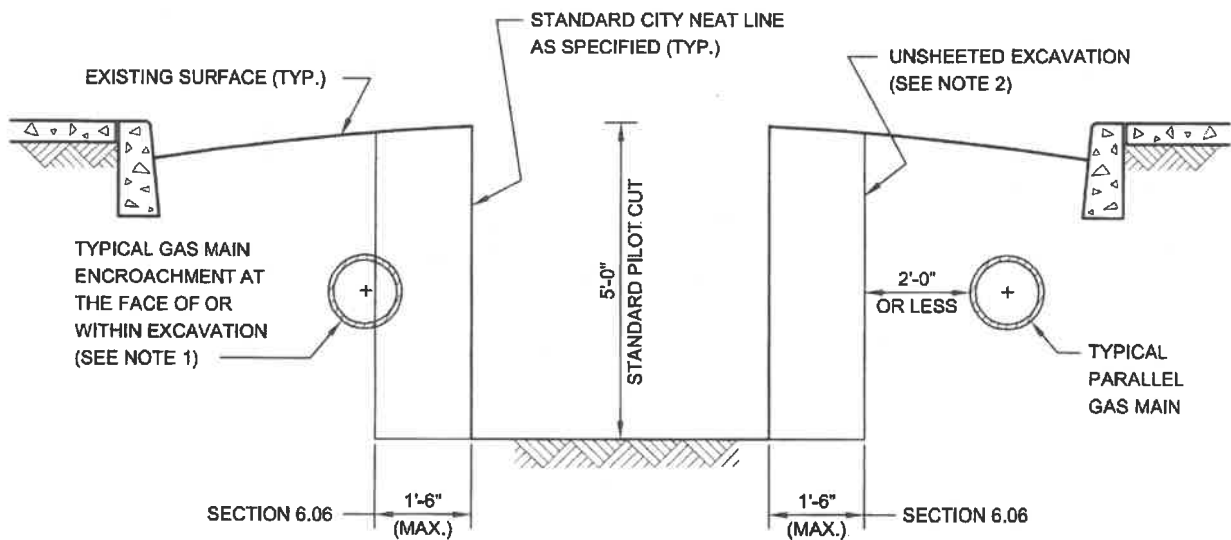


TYPICAL SEWER MANHOLE

TYPICAL CATCH BASIN

REVISED OCT. 2004 - J. ADRIEN
 REVISED OCT. 1998 - J. WONG/M. PATALANOP. MOY

GAS COST SHARING WORK (SKETCH NO. 5)
GAS MAIN ENCROACHMENT ON AND/OR PARALLEL
TO EXCAVATION OF UNSHEETED TRENCH



NOTES:

- (1) GAS MAIN LOCATED AS SHOWN MAY HAVE TO BE REMOVED BY THE FACILITY OPERATOR PRIOR TO THE START OF CITY EXCAVATION, OTHERWISE, THE CONTRACTOR WILL BE PAID UNDER SECTION 6.06 FOR THE SAID WORK. IF GAS MAIN IS ABANDONED THEN SECTION 6.03 SHALL APPLY.
- (2) EIGHTEEN (18) INCHES FROM STANDARD NEAT LINE IS THE MAXIMUM ALLOWABLE WIDTH OF AREA THAT MAY BE DISTURBED OR EXCAVATED DURING INSTALLATION OF CERTAIN TYPES OF SHEETING SYSTEMS THAT MEET THE REQUIREMENTS OF THE STANDARD SPECIFICATIONS OF THE DEPARTMENT OF DESIGN AND CONSTRUCTION OF THE CITY OF NEW YORK.

**V - PRELIMINARY GAS WORK TO BE PERFORMED BY
FACILITY OPERATOR**

APPLICABLE TO ALL GAS DRAWINGS:

- ALL RELOCATION WORK SHOWN IN THIS ADDENDUM IS TO BE PERFORMED BY FACILITY OPERATOR.
- ALL SUPPORT AND PROTECTION WORK TO BE PERFORMED BY CITY CONTRACTOR
- IF ADDITIONAL INFORMATION IS NEEDED REGARDING THE FACILITY OPERATOR RELOCATION WORK, THE CONTRACTOR IS ADVISED TO CONTACT THE GAS COMPANY REPRESENTATIVE:

NATIONAL GRID
287 MASPETH AVENUE
BROOKLYN, NY 11211
TEL.: 718-963-5506

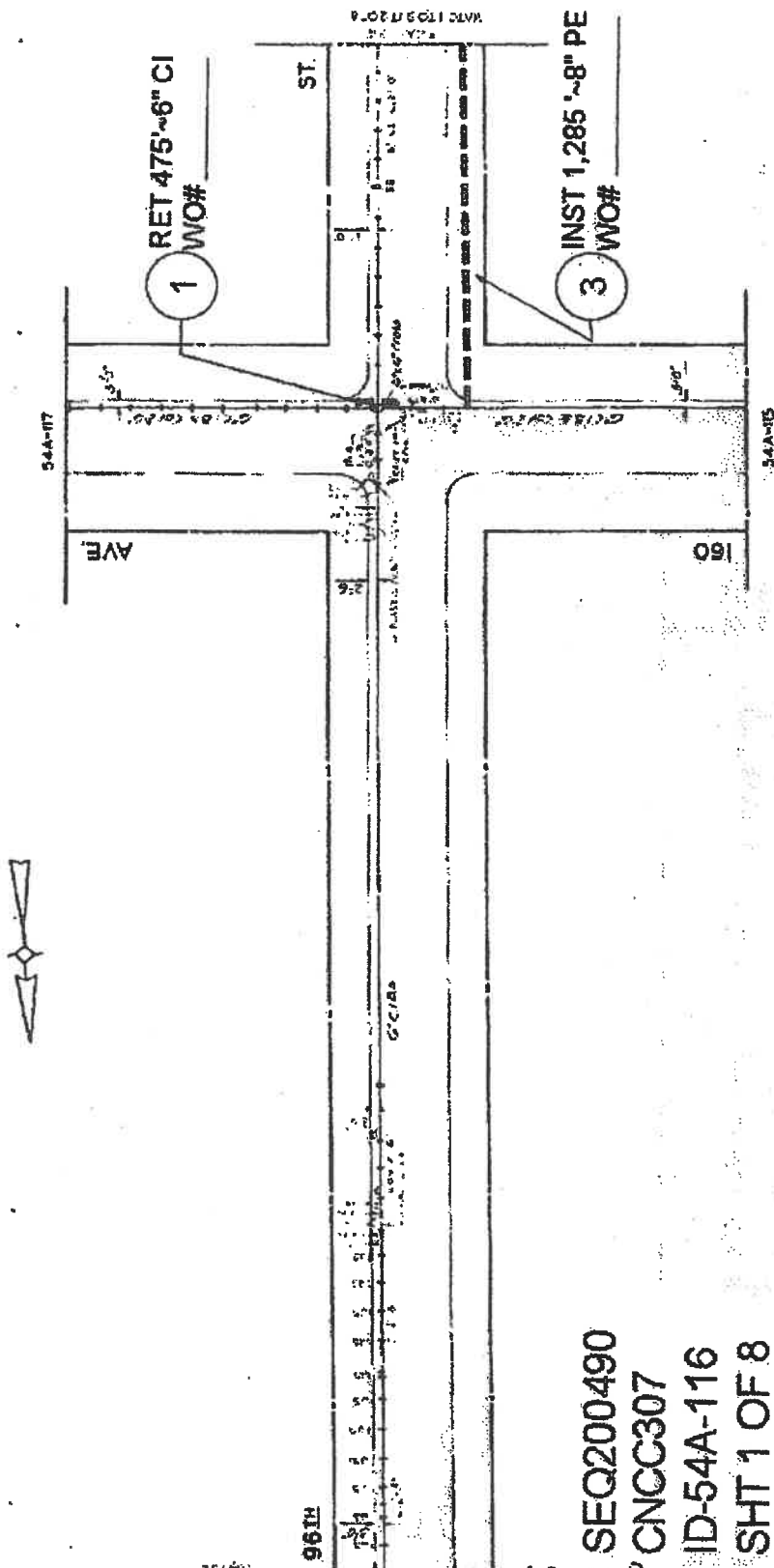
(NO TEXT IN THIS AREA, TURN PAGE)

CONTRACT # SEQ200490
 ORACLE# CNCC307 REIM
 ENGINEER ABHINAV KUMAR
 DATE: Jul-2015

COVER SHT 1 OF 1

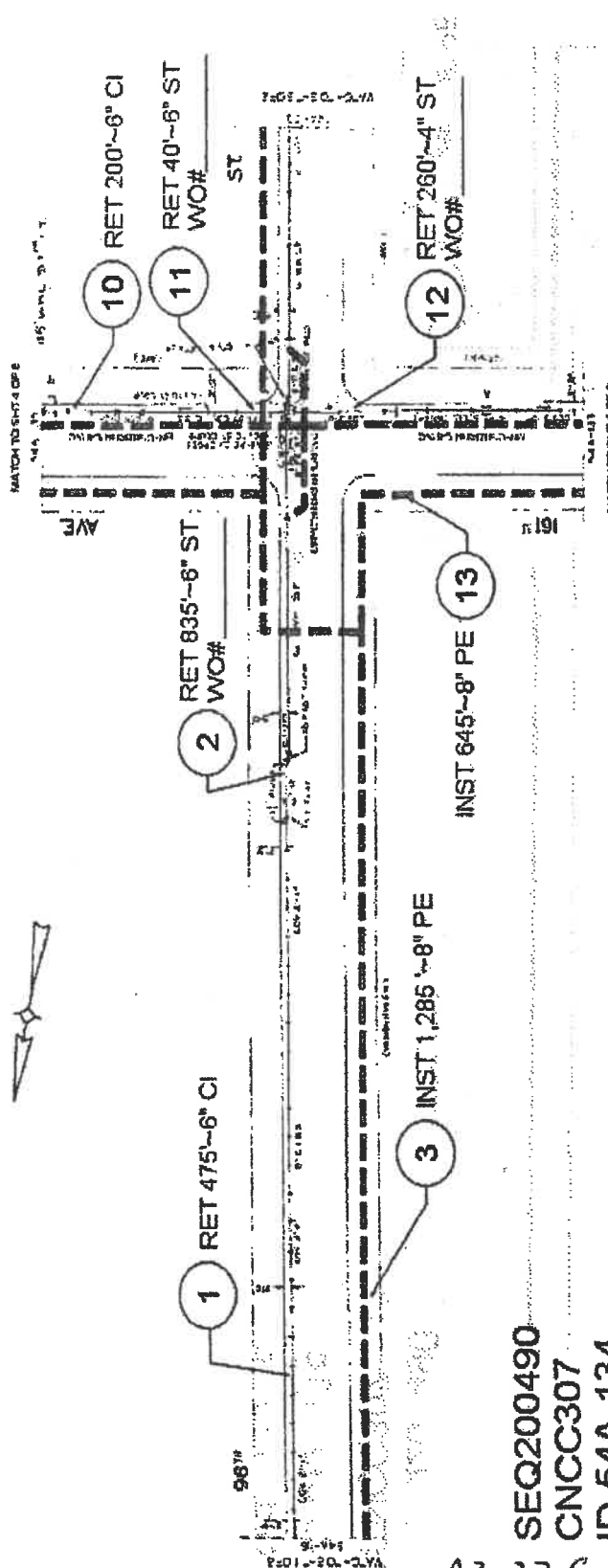
ITEM#	SHEET	ON STREET	ACTIVITY	SIZE	PRESSURE	MATERIAL	LENGTH IN FT	REIM / NON-REIM
1	1, 2	96 ST	RET	6"	6WC	CI	475'	REIM
2	2, 3	96 ST	RET	6"	6WC	ST	835'	REIM
3	1 thru 3	96 ST	INST	8"	6WC	PE	1,285'	REIM
4	4	97 ST	RET	6"	6WC	CI	10'	REIM
5	4	97 ST	RET	6"	6WC	PE	40'	REIM
6	4	97 ST	RET	6"	6WC	ST	65'	REIM
7	4	97 ST	INST	8"	6WC	PE	170'	REIM
8	4	161 AVE	RET	6"	6WC	CI	40'	REIM
9	4	161 AVE	RET	6"	6WC	ST	25'	REIM
10	2, 4	161 AVE	RET	6"	6WC	CI	200'	REIM
11	2	161 AVE	RET	6"	6WC	ST	40'	REIM
12	2, 6	161 AVE	RET	6"	6WC	CI	20'	REIM
13	2, 4, 6	161 AVE	INST	8"	6WC	PE	645'	REIM
14	5	97 ST	RET	6"	6WC	ST	90'	REIM
15	5	97 ST	RET	4"	6WC	ST	75'	REIM
16	5	97 ST	INST	8"	6WC	PE	175'	REIM
17	5, 7	162 AVE	RET	6"	6WC	ST	545'	REIM
18	7	162 AVE	RET	6"	6WC	PE	95'	REIM
19	5, 7	162 AVE	INST	8"	6WC	PE	820'	REIM
20	7	95 ST	RET	6"	6WC	PE	150'	REIM
21	6, 7	95 ST	RET	4"	6WC	ST	735'	REIM
22	6	95 ST	RET	6"	6WC	ST	265'	REIM
23	6, 8	95 ST	RET	6"	6WC	CI	195'	REIM
24	8	95 ST	RET	6"	6WC	PE	20'	REIM
25	8	95 ST	RET	6"	6WC	CI	60'	REIM
26	6 thru 8	95 ST	INST	8"	6WC	PE	1,470'	REIM
27	8	160 AVE	RET	6"	6WC	CI	10'	REIM
28	8	160 AVE	RET	6"	6WC	PE	25'	REIM
29	8	160 AVE	RET	6"	6WC	CI	35'	REIM
30	8	160 AVE	INST	8"	6WC	PE	95'	REIM

A3-22A



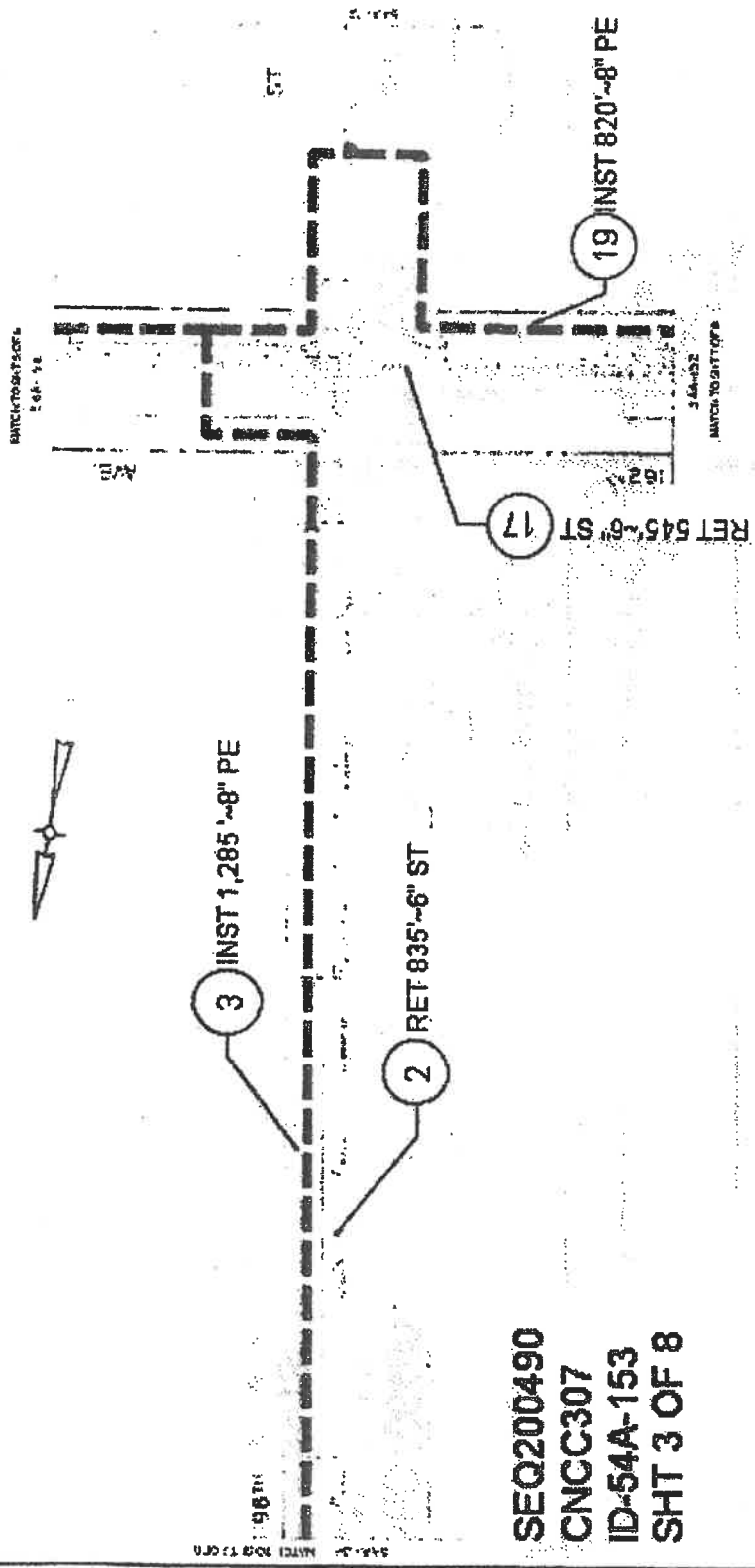
SEQ200490
 CNCC307
 ID-54A-116
 SHT 1 OF 8

A3-22B



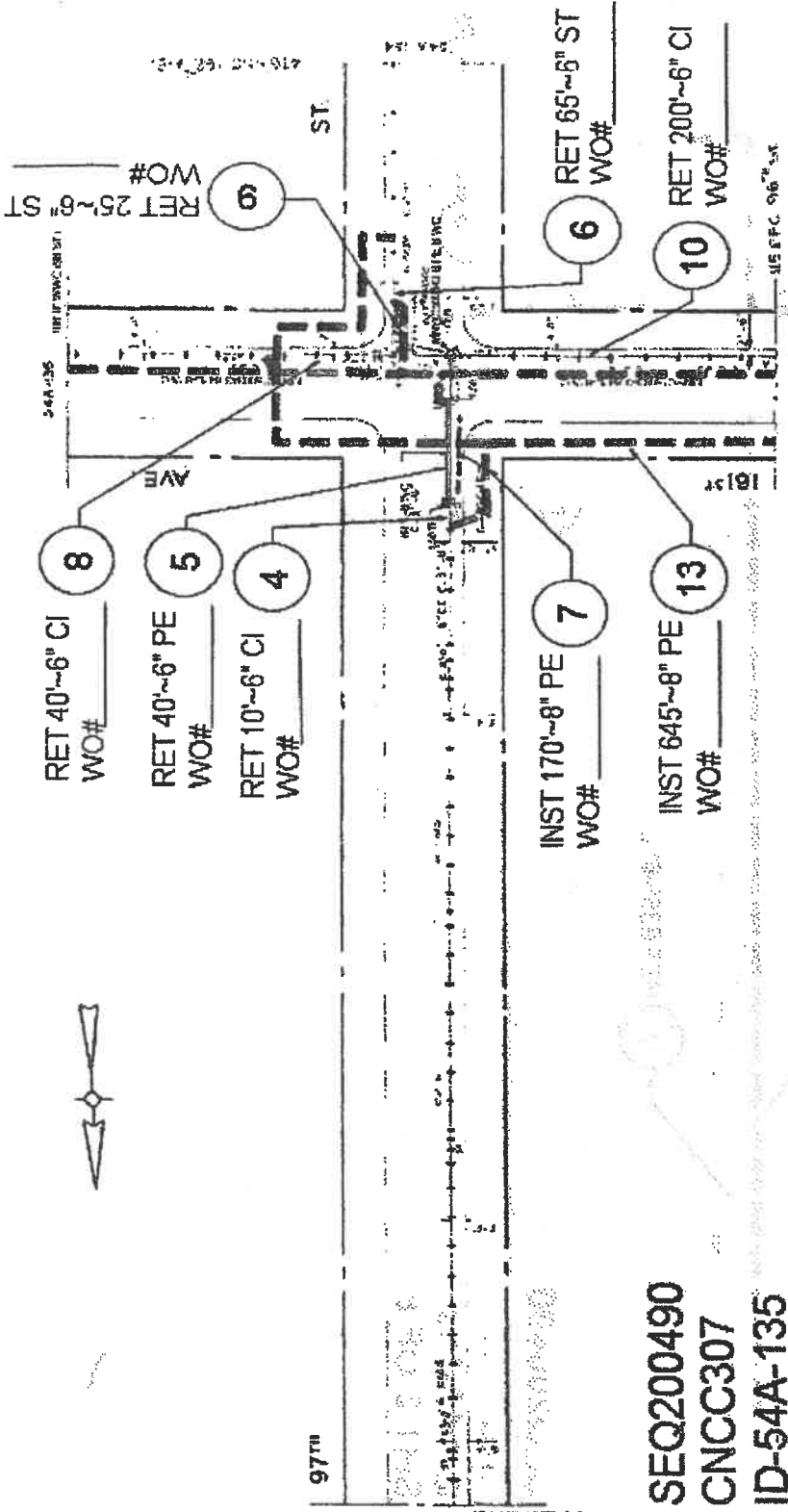
SEQ200490
 CNCC307
 ID-54A-134
 SHT 2 OF 8

A3-22C



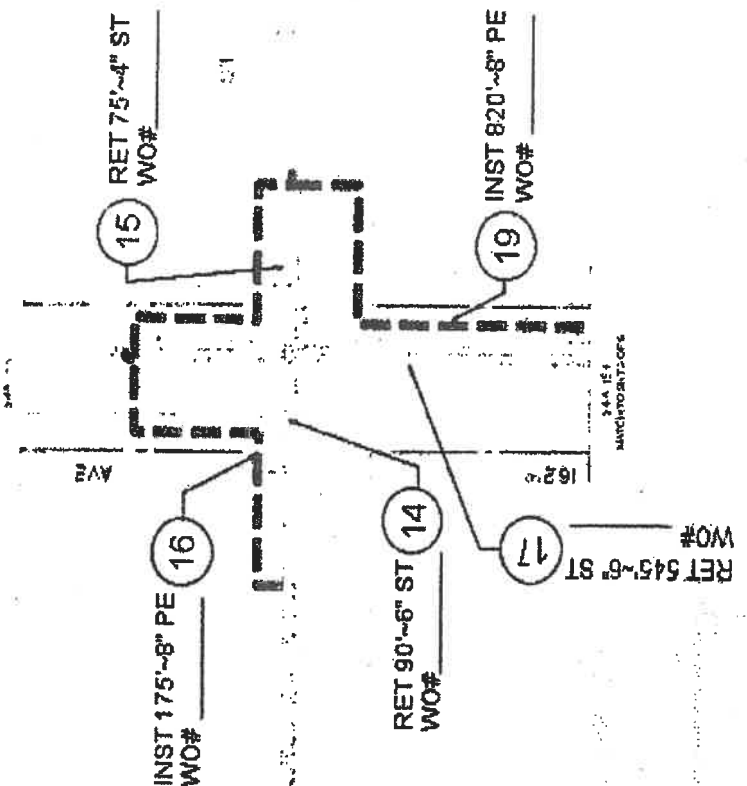
SEQ200490
 CNCC307
 ID-54A-153
 SHT 3 OF 8

A3-22D



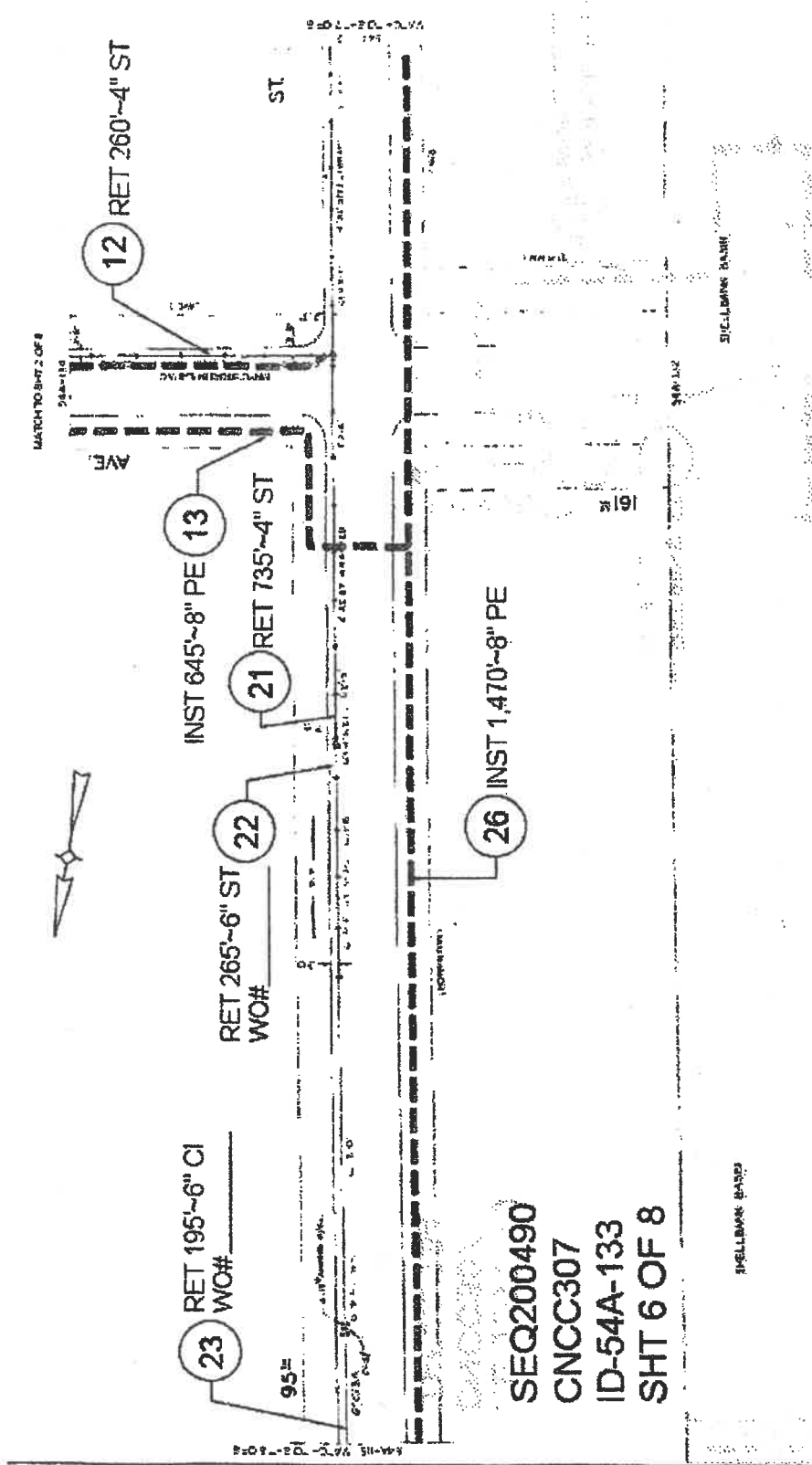
SEQ200490
 CNCC307
 ID-54A-135
 SHT 4 OF 8

A3-22E



SEQ200490
 CNCC307
 ID-54A-154
 SHT 5 OF 8

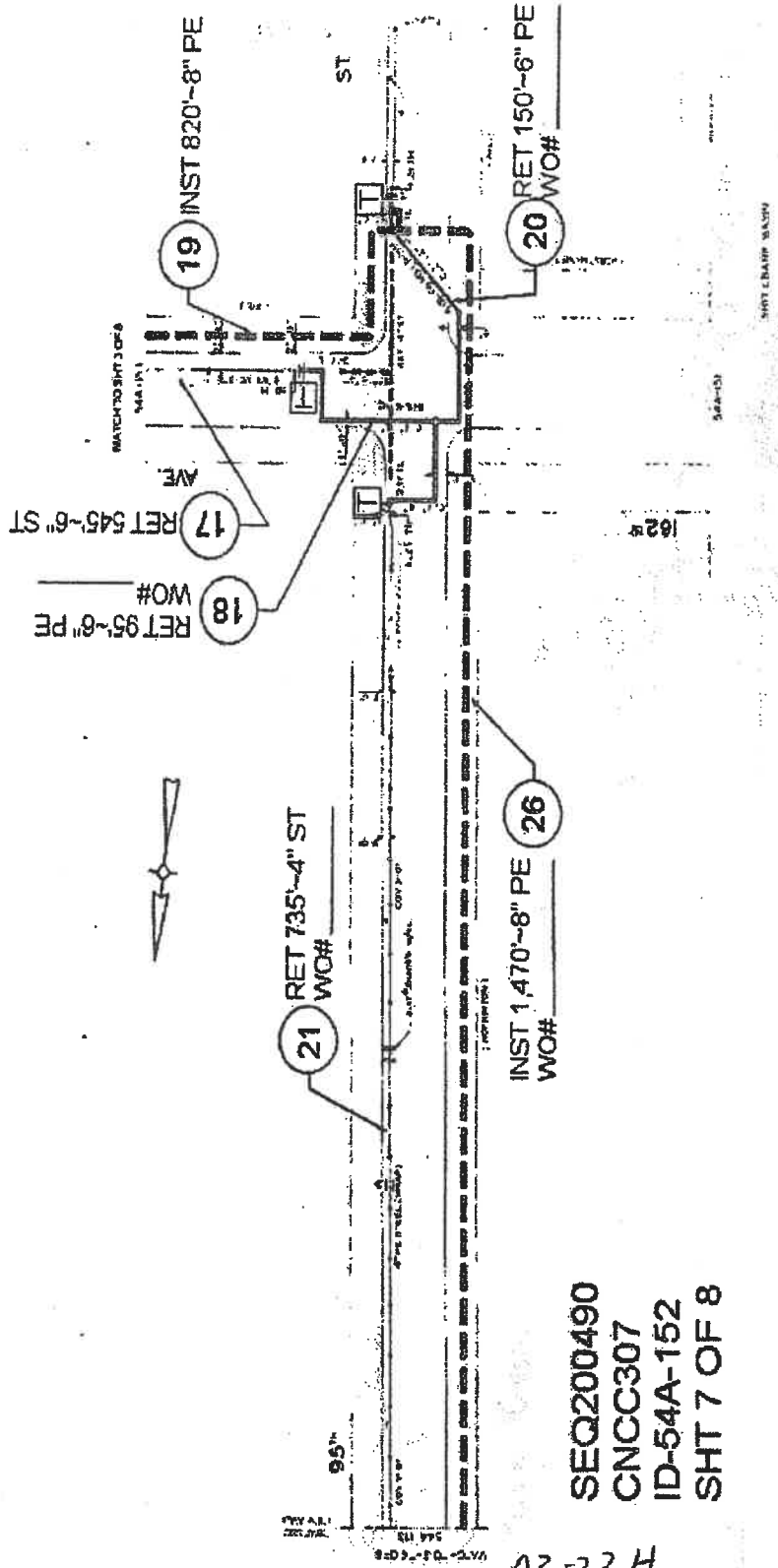
A3-22F



SEQ200490
 CNCC307
 ID-54A-133
 SHT 6 OF 8

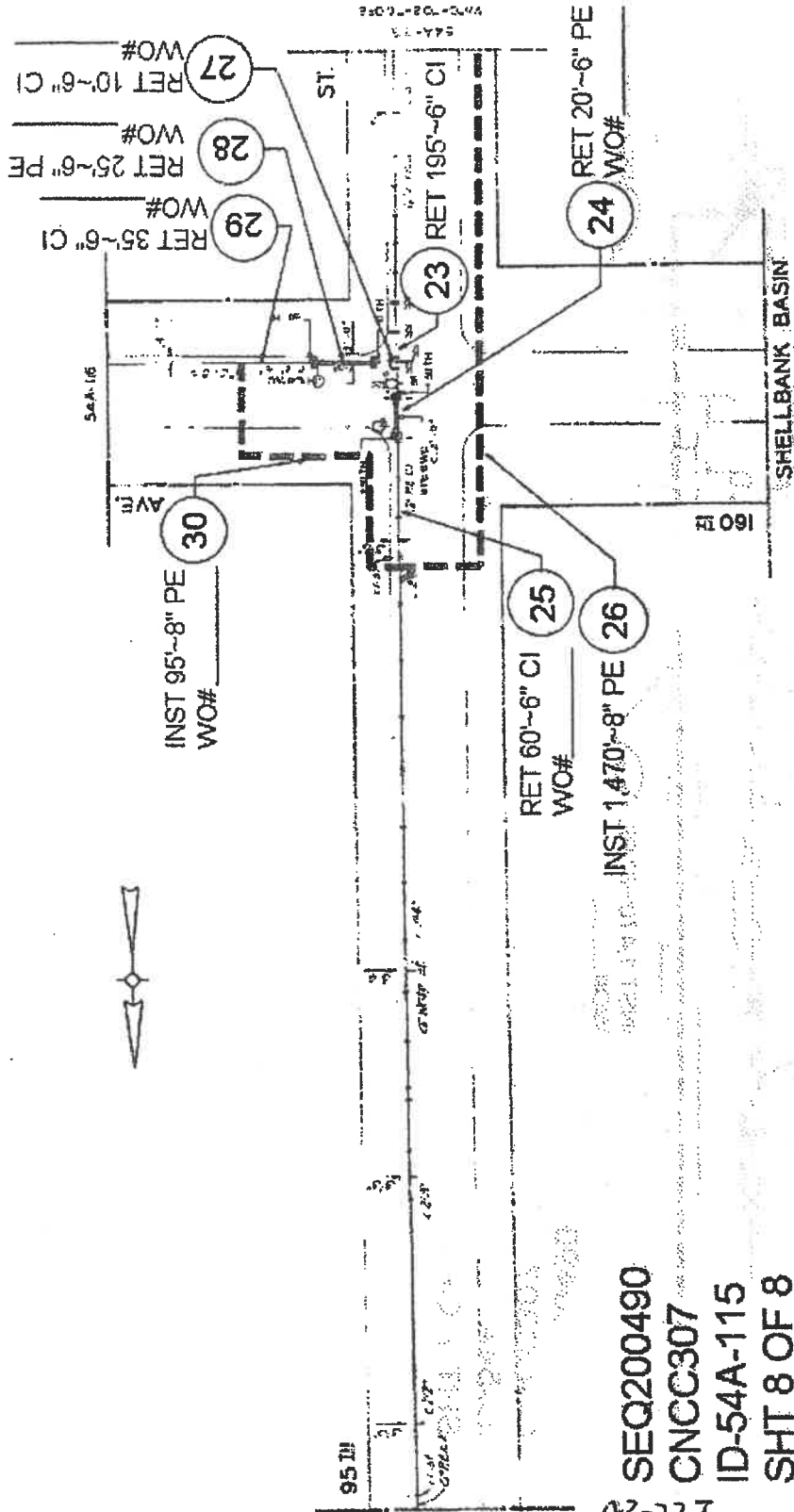
SULLY BANK

A3-22 G



SEQ200490
 CNCC307
 ID-54A-152
 SHT 7 OF 8

A3-22H



SEQ200490
 CNCC307
 ID-54A-115
 SHT 8 OF 8
 A3-221

VI - LISTING OF APPROXIMATE LOCATIONS OF EP-7 BID
ITEMS QUANTITIES

(NO TEXT IN THIS AREA, TURN PAGE)

**SCOPE OF WORK
SUPPORT AND PROTECTION
FOR CONTRACT NUMBER SEQ-200490**

The City of New York Department of Design and Construction is planning to install sewers and/or water mains and all appurtenances in various locations in The City of New York along with all work incidental thereto.

6.01.2A - Support & Protect Gas Main Crossing 38"W x 24"H H.E.R.C.P. Storm Sewer (Ea.)

1 in 96 St. @ 162 Ave.

6.01.5B - Support & Protect Gas Main Crossing 60"W x 38"H H.E.R.C.P. Storm Sewer (Ea.)

1 in 95 St. @ 162 Ave.

6.01.8 - Support & Protect Gas Services Crossing Trenches And/Or Excavations (Ea.)

6 in 96 St. @ 161 Ave.
20 in 162 Ave. Bet. 95 St. & 97 St.
34 in 95 St. Bet. 161 Ave. & 162 Ave.
12 in 95 St. Bet. 160 Ave. & 161 Ave.
8 in 161 Ave. Bet. 96 St. & 97 St.

6.01.9 - Support & Protect Gas Main Crossing Water Main Up To 20" In Diameter (Ea.)

1 in 95 St. @ 161 Ave.
2 in 96 St. @ 161 Ave.
2 in 96 St. @ 162 Ave.
1 in 97 St. @ 162 Ave.

6.02 - Extra Excavation For The Installation Of Catch Basin Sewer Drain Pipes With Gas Interferences (Ea.)

2 in Various Locations As Required

6.03 - Removal Of Abandoned Gas Facilities. All Sizes (L.F.)

4000 in Various Locations As Required

6.03.1 - Removal Of Abandoned Gas Facilities With Possible Coal Tar Wrap. All Sizes. (For National Grid Work Only) (L.F.)

100 in Various Locations As Required

**SCOPE OF WORK
SUPPORT AND PROTECTION
FOR CONTRACT NUMBER SEQ-200490**

The City of New York Department of Design and Construction is planning to install sewers and/or water mains and all appurtenances in various locations in The City of New York along with all work incidental thereto.

- 6.04 - Adjust Hardware To Grade Using Spacer Rings / Adaptor (Street Repaving) (Ea.)**
80 in Various Locations As Required
- 6.05 - Adjust Hardware To Grade By Resetting (Road Reconstruction) (Ea.)**
80 in Various Locations As Required
- 6.06 - Special Care Excavation & Backfilling (C.Y.)**
800 CY In Various Locations As Required, Including But Not Limited
To All Gas Services Crossing Unsheeted Water Main Trenches.
- 6.07 - Test Pits For Gas Facilities (C.Y.)**
50 in Various Locations As Required.

A3-23B

EP7-28B

(NO TEXT ON THIS PAGE)

HAZ - PAGES

**SPECIFICATIONS FOR HANDLING,
TRANSPORTATION AND DISPOSAL**

**OF NONHAZARDOUS AND POTENTIALLY
HAZARDOUS CONTAMINATED MATERIALS**

NOTICE

THE PAGES CONTAINED IN THIS SECTION ARE ISSUED FOR THE PURPOSE OF SPECIFYING THE REQUIREMENTS OF THE CONTRACT DOCUMENTS AND HEREBY MADE PART OF SAID CONTRACT DOCUMENTS.

(NO TEXT ON THIS PAGE)

**SPECIFICATIONS FOR
HANDLING, TRANSPORTATION AND DISPOSAL
OF NON-HAZARDOUS AND POTENTIALLY HAZARDOUS
CONTAMINATED MATERIALS**

**CONSTRUCTION OF STORM SEWER AND WATER MAIN IN 95TH STREET
BETWEEN 160TH AND 162ND AVENUE, ETC.**

**BOROUGH OF QUEENS
CITY OF NEW YORK**

Capital Project ID: SEQ200490

Prepared By:



30-30 Thomson Avenue, 3rd Floor
Long Island City, New York 11101

December 2, 2016

Table of Contents

ITEM 8.01 C1 HANDLING, TRANSPORTING, & DISPOSAL OF NON-HAZARDOUS CONTAMINATED SOILS.....	HAZ. - 1
ITEM 8.01 C2 SAMPLING AND TESTING OF CONTAMINATED/ POTENTIALLY HAZARDOUS SOIL FOR DISPOSAL PARAMETERS	HAZ. - 7
ITEM 8.01 H HANDLING, TRANSPORTING, AND DISPOSAL OF HAZARDOUS SOILS.....	HAZ. - 9
ITEM 8.01 S HEALTH AND SAFETY.....	HAZ. - 14
ITEM 8.01 W1 REMOVAL, TREATMENT, AND DISCHARGE/DISPOSAL OF CONTAMINATED WATER.....	HAZ. - 19
ITEM 8.01 W2 SAMPLING AND TESTING OF CONTAMINATED WATER.....	HAZ. - 25
ATTACHMENT 1: NYCDEP LIMITATIONS FOR DISCHARGE TO STORM, SANITARY/COMBINED SEWER	HAZ. - 28
ATTACHMENT 2: APPLICABLE REGULATIONS.....	HAZ. - 31
ATTACHMENT 3: DEFINITIONS.....	HAZ. - 34
ATTACHMENT 4: PHASE II SUBSURFACE CORRIDOR INVESTIGATION REPORT	HAZ. - 36

ITEM 8.01 C1 HANDLING, TRANSPORTING, & DISPOSAL OF NON-HAZARDOUS CONTAMINATED SOILS

8.01 C1.1 WORK TO INCLUDE

General: This work shall consist of the handling, transportation and disposal of non-hazardous contaminated soils. The materials covered by this specification are soils that are contaminated with petroleum or chemical products but cannot be classified as hazardous waste. For the purpose of this specification, soil shall be defined as any material excavated below the pavement and base for pavement.

Non-hazardous contaminated soils are defined as soils exhibiting one or more of the following characteristics:

- ◆ Elevated Photo-Ionization Detector (PID) readings, subsequently confirmed by lab analysis
- ◆ Visual evidence of contamination
- ◆ Petroleum and/or chemical odors
- ◆ Soils that have been documented as contaminated in previous environmental reports

Non-hazardous contaminated soils must be stockpiled at an off-site approved location or secured on-site by the Contractor, meeting all required Federal, State and Local stipulations. Sampling and laboratory analysis must be conducted to determine if the soils are hazardous, unless the alternative procedure as defined under subsection 8.01 C1.1 A.5 has been agreed upon by treatment facilities. Contaminated soils determined to be non-hazardous shall be handled in accordance with the specifications herein for Item 8.01 C1. Contaminated soils determined to be hazardous shall be handled in accordance with the specifications for Item 8.01 H – Handling, Transporting and Disposal of Hazardous Soils.

The Contractor shall retain the services of an independent Environmental Consultant, as specified under Item 8.01 S – Health and Safety, to oversee the work required under this Item.

Non-hazardous soils shall be delivered to the disposal or treatment facility within thirty (30) calendar days after excavation.

The Contractor shall conduct sampling and analysis of the impacted soils as specified under Item 8.01 C2 – Sampling and Testing of Contaminated/Potentially Hazardous Soils for Disposal Parameters. The laboratory results shall be forwarded to DDC Program Management, Office of Environmental and Geotechnical Services (OEGS) for review to determine if the soils will be handled and disposed of as contaminated regulated soils or hazardous waste. No other soils shall be sampled or tested without the DDC's approval or direction.

The Contractor shall ensure that all operations associated with the handling, sampling, loading, transportation, and disposal of non-hazardous contaminated soils are in compliance with all applicable Federal, State, and City statutes and regulations.

The Contractor shall document the excavation, handling, transportation and disposal of non-hazardous contaminated soils. The Contractor shall supply all equipment, material and labor required to conduct the specified work of this Item.

- A. Material Handling Plan: Within forty-five (45) calendar days after award of Contract, the Contractor shall submit to the Program Management, OEGS for review, a Material Handling Plan (MHP). The MHP must be approved by the Program Management, OEGS, prior to the Contractor's commencement of work. The MHP shall, at a minimum, consist of:

1. The Contractor's procedures for identifying non-hazardous contaminated soils during excavation, including the specific model and manufacturer of intended organic vapor monitoring equipment and calibration procedures to be used. It should also include the training and experience of the personnel who will operate the equipment.
2. The Contractor's procedures for safely handling non-hazardous contaminated soils. The procedures must include personnel safety and health as well as environmental protection considerations.
3. Name, address, New York State Department of Health's (DOH) Environmental Laboratories Accreditation Program (ELAP) status and telephone number of the proposed laboratory for analysis of representative soil samples. The ELAP for the intended analysis must approve the laboratory.
4. Identification of the Contractor's proposed waste transporter(s). This information shall include:
 - a. Name and Waste Transporter Permit Number
 - b. Address
 - c. Name of responsible contact for the hauler
 - d. Telephone number for the contact
 - e. Any and all necessary permit authorizations for each type of waste transported
 - f. Previous experience in performing the type of work specified herein
5. All staging/stockpiling areas (if stockpiling areas are intended and available), or alternate procedures that will be used. Alternate procedures may include, but are not limited to, agreements from the intended disposal or treatment facilities to accept boring data and/or analytical data previously obtained during the site characterization so that materials may be directly loaded into vehicles for shipment to the disposal facility.
6. A backup facility should the staging/stockpile areas become unavailable, insufficient in area or not be present by some other unforeseen difficulty.
7. Identification of the Contractor's two proposed Treatment Storage or Disposal (TSD) facilities for non-hazardous contaminated soils (primary and back-up) for final disposal of the soils. The primary TSD shall be an approved soil recycling/treatment facility. The backup facility may be a recycling/treatment facility or a New York State Department of Environmental Conservation (DEC) approved lined landfill or other facility approved by DEC to accept this material. The information required for each facility shall include:
 - a. Facility name and the State identification number
 - (1) Facility location
 - (2) Name of responsible contact for the facility
 - (3) Telephone number for contact
 - (4) Signed letter of agreement to accept waste as specified in this contract
 - (5) Unit of measure utilized at facility for costing purposes

- b. A listing of all permits, licenses, letters of approval, and other authorizations to operate, which are currently held and valid for the proposed facility.
 - c. A listing of all permits, licenses, letters of approval, and other authorizations to operate which have been applied for by the proposed facility but not yet granted or issued.
 - d. The Contractor shall specify and describe the disposal/containment unit(s) that the proposed facility will use to manage the waste. The Contractor shall identify the capacity available in the units and the capacity reserved for the subject waste.
 - e. The Contractor shall provide the date of the proposed facility's last compliance inspection.
 - f. A list of all active (unresolved) compliance orders (or agreements), enforcement notices, or notices of violations issued to the proposed facility shall be provided. The source and nature of the cause of violation shall be stated, if known.
8. Description of all sampling and field/laboratory analyses that will be needed to obtain disposal facility approval.

8.01 C1.2 MATERIALS

- A. Containers shall be as required in the United State Department of Transportation (DOT) regulations.
- B. Polyethylene to be placed under (20 mil. thickness minimum) and over (10 mil. thickness minimum) soil piles.
- C. The Contractor shall assure that the waste hauler's appropriate choice of vehicles and operating practices shall prevent spillage or leakage of contaminated material from occurring en route.
- D. The Contractor shall provide, install and maintain any temporary loading facilities on site as required until completion of material handling activities. The location and design of any facilities shall be included in the MHP and be approved by the Program Management, OEGS.

8.01 C1.3 CONSTRUCTION DETAILS

A. Material Handling

- 1. Immediately after excavation of non-hazardous contaminated soil the Contractor shall:
 - a. Load material directly onto trucks/tankers/roll offs for disposal off site; or
 - b. If interim stockpiling is required, place on a minimum of 20 mil. or equivalent plastic ground cloth and cover by minimum of 10 mil. polyethylene sheeting or equivalent to protect against leaching or runoff of contaminants into groundwater or stormwater. Weight or secure the sheeting by appropriate means and seal seams as approved by the DDC to prevent tearing or removal by weather. Grade surrounding surface to provide for positive drainage away from pile. Stockpile shall not exceed 100 cubic yards.

2. Institute appropriate procedures and security measures to ensure the protection of site personnel and the public from contaminated materials as described in the approved MHP and Item 8.01 S - Health and Safety.
3. Any soil encountered that appears to contain unknown contaminants (based on visual, odor, or other observation), or that vary substantially from the material originally identified must be segregated in stockpiles and the independent Environmental Consultant promptly notified. Construct stockpiles to the same requirements as stated in subsection A.1.b above.
4. Provide any dewatering that is necessary to complete the work. Contaminated water shall be disposed of in accordance with Item 8.01 W1 – Removal, Treatment and Discharge/Disposal of Contaminated Water.
5. Provide and operate field organic vapor test equipment, a PID or a flame ionization detector (FID), to detect general organic vapor levels at intervals of approximately fifty (50) cubic yards of soil excavated, when visual or odor observations indicate the material may substantially differ from the soil previously excavated and/or as directed by the independent Environmental Consultant.

B. Off-Site Transportation to Disposal or Treatment Facility

1. General

- a. The Contractor shall furnish all labor, equipment, supplies and incidental costs required to transport contaminated material from the work area to the off-site disposal or treatment facility, and any other items and services required for transporting contaminated material for disposal at an off-site facility.
- b. The Contractor shall submit the name and location of the facility where an off-site scale is located. The Contractor shall also submit a plan to the DDC for review outlining procedures on controlling trucks leaving the work site and en-route to the off-site scale. The Contractor shall be responsible for tracking all material/vehicles from the site to the off-site scale.
- c. The Contractor shall provide to the DDC certified tare and gross weight slips for each load received at the accepted facility which shall be attached to each returned manifest.
- d. The Contractor shall coordinate the schedule for truck arrival and material deliveries at the job site to meet the approved project schedule.
- e. The Contractor shall inspect all vehicles leaving the project site to ensure that contaminated soils adhering to the wheels or undercarriage are removed prior to the vehicle leaving the site.
- f. The Contractor shall obtain letters of commitment from the waste haulers and the treatment, disposal or recovery facility to haul and accept shipments. The letter shall indicate agreement to handle and accept the specified estimated quantities and types of material during the time period specified in the project schedule and any time extension as deemed necessary.
- g. **The Program Management, OEGS shall review and approve waste profiles before transportation to the TSD facility.**

2. Hauling

- a. The Contractor shall coordinate manifesting, placarding of shipments, and vehicle decontamination. All quantities shall also be measured and recorded upon arrival at the disposal or treatment facility. If any deviation between the two records occurs, the matter is to be reported immediately to the DDC and to be resolved by the Contractor to the satisfaction of the DDC.
- b. The Contractor shall be held responsible, at its own cost for any and all actions necessary to remedy situations involving material spilled in transit or mud and dust tracked off-site.
- c. The Contractor shall ensure that trucks are protected against contamination by properly covering and lining them with compatible material (such as polyethylene) or by decontaminating them prior to and between acceptances of loads.
- d. The Contractor shall be responsible for inspecting the access routes for road conditions, overhead clearance, and weight restrictions.
- e. The Contractor shall only use the transporter(s) identified in the MHP for the performance of work. Any use of substitute or additional transporters must have previous written approval from the Program Management, OEGS at no additional cost to the City.
- f. The Contractor shall develop, document, and implement a policy for accident prevention.
- g. The Contractor shall not combine contaminated materials from other projects with material from this project.
- h. No material shall be transported until approved by the DDC.

3. Off-Site Disposal

- a. The Contractor shall use only the facility(ies) identified in the MPH for the performance of the work. Substitutions or additions shall not be permitted without prior written approval from the Program Management, OEGS, and if approved shall be at no extra cost to the City.
- b. The Contractor shall be responsible for acceptance of the materials at an approved facility, for ensuring that the facility is properly permitted to accept the stated materials, and that the facility provides the stated treatment and/or disposal services.
- c. The DDC reserves the right to contact and visit the disposal or treatment facility and regulatory agencies to verify the agreement to accept the stated materials and to verify any other information provided.
- d. In the event that the identified and approved facility ceases to accept the stated materials or the facility ceases operations, it is the Contractor's responsibility to locate an alternate approved and permitted facility(ies) for accepting materials. The alternate facility(ies) must be approved in writing by the DDC in the same manner and with the same requirements as for the original facility(ies). This shall be done at no extra cost or delay to the City.
- e. The Contractor shall obtain manifest forms, and complete the shipment manifest records required by the appropriate regulatory agencies for verifying the material and quantity of each load in unit of volume and weight. Copies of each manifest shall be submitted to the DDC within four (4) business days following shipment,

and within three (3) business days after notification of receipt of the facility. Any manifest discrepancies shall be reported immediately to the DDC and be resolved by the Contractor to the satisfaction of the DDC.

4. Equipment and Vehicle Decontamination
 - a. The Contractor shall design and construct a portable decontamination station to be used to decontaminate equipment and vehicles exiting from the exclusion zone. The cost for this work will be paid under Item 8.01 S - Health and Safety.
 - b. Water generated during the decontamination process shall be disposed of in accordance with Item 8.01 W1 – Removal, Treatment and Discharge/Disposal of Contaminated Water.

8.01 C1.4 METHOD OF MEASUREMENT

Quantities for non-hazardous contaminated soils shall be measured in tons. The tonnage will be determined by off-site truck scales, as per Subsection 8.01 C1.3.B1, that are capable of generating load tickets.

8.01 C1.5 PRICE TO COVER

- A. The unit bid price bid per ton for Item 8.01 C1 shall include the cost of furnishing all labor, materials, equipment, plan, and insurance for excavation, handling, transportation, disposal, documentation, fees, permits, loading, stockpiling, hauling, and any other incidentals necessary to complete all the work as specified herein for handling, transporting, and disposal of non-hazardous contaminated soil.
- B. Final disposal of hazardous soil shall be paid for under Item 8.01 H – Handling, Transporting and Disposal of Hazardous Soils. Disposal of decontamination water shall be paid for under Item 8.01 W1 – Removal, Treatment and Discharge/Disposal of Contaminated Water.
- C. Backfill will be paid for under its respective item as specified in the contract document.
- D. The independent Environmental Consultant shall be paid under Item 8.01 S – Health and Safety.

Payment will be made under:

ITEM NUMBER	ITEM	PAYMENT UNIT
8.01 C1	Handling, Transporting, and Disposal of Non-Hazardous Contaminated Soil	Tons

**ITEM 8.01 C2 SAMPLING AND TESTING OF CONTAMINATED/ POTENTIALLY
HAZARDOUS SOIL FOR DISPOSAL PARAMETERS**

8.01 C2.1 WORK TO INCLUDE

A. Description

The work shall consist of collecting and analyzing representative soil samples for parameters typically requested by the disposal facilities.

B. Sampling and Laboratory Analysis

1. At least thirty (30) days prior to the commencement of work, the Contractor's independent Environmental Consultant must submit a Soil Sampling Plan/Field Sampling Plan (SSP/FSP) to the Program Management, Office of Environmental and Geotechnical Services (OEGS) for review and approval. The plan shall include the name, address, DOH's ELAP status, and telephone numbers of the proposed laboratory. The plan shall also include training and experience of the personnel who will collect the samples.
2. The Contractor shall sample and analyze representative samples of the contaminated/potentially hazardous soils. For stockpiled soils, the Contractor shall collect and analyze one (1) composite sample per 500 cubic yards or fraction thereof. Each composite sample shall consist of a minimum of five (5) grab samples collected from greater than two (2) feet below the soil surface. For drummed soil, the Contractor shall collect one (1) composite sample per (ten) 10 drums or fraction thereof. Each composite sample shall consist of a grab sample from each of the ten (10) drums or fraction thereof. Each composite sample shall be analyzed for Resource Conservation and Recovery Act (RCRA) hazardous waste characteristics (Ignitability, Reactivity, Corrosivity), Full Toxicity Characteristic Leaching Procedure (TCLP) (including RCRA metals, volatile Organic Compounds (VOCs), Semi-Volatile Organic Compounds (SVOCs), pesticides, herbicides), Total Petroleum Hydrocarbons (TPH) and Polychlorinated Biphenyls (PCBs). All samples collected should be analyzed on a five (5) calendar days turn around time and analytical results must be submitted to Program Management, OEGS upon receipt of the analytical results.
3. All sampling shall be conducted by a person trained in sampling protocols using standard accepted practices for obtaining representative samples.
4. The Contractor must also contact the disposal facility where the waste will be sent for permanent disposal, and arrange to collect any additional samples required by the facility. The cost associated with additional sampling and testing shall be included in the bid price of this Item.
5. The quality of the data from the sampling program is the Contractor's responsibility. The Contractor must furnish all qualified personnel, equipment and instruments necessary to carry out the sampling. Unless directed otherwise, all sampling procedures must follow the DEC sampling guidelines and protocols.
6. All sample containers shall be marked and identified with legible sample labels which shall indicate the project name, sample location and/or container, the sample number, the date and time of sampling, preservatives utilized and other information that may be useful in determining the character of the sample. Chain-of-custody shall be tracked from laboratory issuance of sample containers through laboratory receipt of the samples.

7. The Contractor shall maintain a bound sample logbook. The Contractor shall provide DDC access to it at all times and shall turn it over to the DDC in good condition at the completion of the work. The following information, as a minimum shall be recorded to the log:
 1. Sample identification number
 2. Sample location
 3. Field observation
 4. Sample type
 5. Analyses
 6. Date/time of collection
 7. Collector's name
 8. Sample procedures and equipment utilized
 9. Date sent to laboratory and name of laboratory
8. The City reserves the right to direct the Contractor to conduct alternative sampling in lieu of the parameters described in subsection B2, if the situation warrants. The substitute sampling parameters shall be of equal or lesser monetary value than those described in subsection B2, as determined by industry laboratory pricing standards.
9. Only dedicated sampling equipment may be used to collect these samples. All equipment involved in field sampling must be decontaminated before being brought to the sampling location, and must be properly disposed after use.
10. Soils exceeding any of the hazardous characteristic criteria meet the legal definition of hazardous soils (rather than non-hazardous contaminated soils) and shall be transported or disposed of under Item 8.01 H – Handling, Transporting and Disposal of Hazardous Soils. All analyses must be done by a laboratory that has received approval from the ELAP for the methods to be used. The Contractor must specify the laboratory in the MHP.

8.01 C2.2 METHOD OF MEASUREMENT

Quantities for samples shall be measured as the number of sets of samples that are tested. A set shall be defined as one (1) composite sample analyzed for the full range of parameters as specified in subsection B2.

8.01 C2.3 PRICE TO COVER

The unit price bid per set for Item 8.01 C2 shall include the cost of furnishing all labor, materials, equipment, plan, and insurance necessary for sampling, handling, transporting, testing, documentation, fees, permits and any other incidentals necessary to complete the work as specified herein for sampling and testing of contaminated/potentially hazardous soil.

Payment will be made under:

ITEM NUMBER	ITEM	PAYMENT UNIT
8.01 C2	Sampling and Testing of Contaminated/ Potentially Hazardous Soil for Disposal Parameters	Set

ITEM 8.01 H HANDLING, TRANSPORTING, AND DISPOSAL OF HAZARDOUS SOILS

8.01 H.1 WORK TO INCLUDE

General: This work shall consist of the handling, transportation and disposal of soils or materials that are listed as hazardous wastes or exhibit any of the characteristics of a hazardous waste, namely ignitability, corrosivity, reactivity, and toxicity, as defined in 6 NYCRR Part 371, Section 371.3 and 40 CFR Section 261. For the purpose of this specification, soils shall be defined as any materials excavated below the pavement and base for pavement.

Contaminated soils determined to be hazardous under Item 8.01 C2 shall be handled, transported, and disposed of under Item 8.01 H in accordance with the specifications herein.

The independent Environmental Consultant retained by the Contractor, as specified under Item 8.01 S – Health and Safety, shall conduct sampling and analysis of above soils to determine which soils are hazardous.

All work under Item 8.01 H shall be performed under the direct supervision of the Contractor's Environmental Consultant, as approved by the Program Management, Office of Environmental and Geotechnical Services (OEGS).

The Contractor shall ensure that all operations associated with the handling, sampling, loading, transportation, and disposal of hazardous materials are in compliance with the applicable Federal, State, and Local statutes and regulations.

The Contractor shall document the excavation, handling, sampling, and testing, transportation and disposal of hazardous soils. The City shall be listed in the disposal documents as the waste generator.

The Contractor shall supply all equipment, material and labor required to conduct the specified work of this section.

The Contractor shall ensure that all operations associated with the handling, sampling, loading, transportation and disposal of hazardous soils are conducted in a manner to protect site personnel, the public and the environment, in accordance with all applicable Federal, State, and Local laws and regulations.

The Contractor shall decontaminate all equipment prior to its removal from the exclusion zone and/or following contact with hazardous materials, as detailed in Item 8.01 S - Health and Safety. Water generated during the decontamination process shall be disposed of under Item 8.01 W1 – Removal, Treatment and Discharge/Disposal of Contaminated Water.

- A. Material Handling Plan: Within forty-five (45) calendar days after award of Contract, the Contractor shall submit to the Program Management, OEGS for review, a Material Handling Plan (MHP). The MHP must be approved by the Program Management, OEGS, prior to the Contractor's commencement of work. The MHP shall, at a minimum, consist of:
1. The Contractor's procedures for identifying contaminated/potentially hazardous soils during excavation, including instrumentation and calibration procedures to be used.
 2. The Contractor's procedures for safely handling hazardous soils or soils which have not yet been tested but are believed to be potentially hazardous.
 3. Identification of the Contractor's proposed waste transporter(s). This information shall include:
 - a. Name and waste transporter permit number

- b. Address
 - c. Name of responsible contact for the hauler
 - d. Telephone number for the contact
 - e. Any and all necessary permit authorizations for each type of waste transported
 - f. Previous experience in performing the type of work specified herein
4. All staging/stockpiling areas (if stockpiling areas are intended and available), or alternate procedures that will be used. Alternate procedures could include, but are not limited to, agreements from the intended disposal or treatment facilities to accept boring data and/or analytical data previously obtained during the site characterization so that materials may be directly loaded into vehicles for shipment to the disposal facility or the use of off-site stockpiling locations approved by the DEC.
 5. A backup facility, should the staging/stockpile areas become unavailable, insufficient in area or not be present by some other unforeseen difficulty.
 6. Identification of the Contractor's two proposed United State Environmental Protection Agency (EPA) or DEC approved RCRA TSD facilities for hazardous soils.
 7. The Contractor shall submit the following information prior to any transportation of soils regarding the temporary and final off-site TSD or facilities where it is proposing to take hazardous soils. The expense of furnishing all information will be included in the Contractor's bid price:
 - a. General Information
 - (1) Facility name and the EPA identification number
 - (2) Facility location
 - (3) Name of responsible contact for the facility
 - (4) Telephone number for contact
 - (5) Signed letter of agreement to accept waste as specified in this contract
 - (6) Signed letter of agreement with a TSD for disposal of waste that may not be land-disposed
 - (7) Unit of measure utilized at each facility for costing purposes
 - b. A listing of all permits, licenses, letters of approval, and other authorizations to operate, which are currently held and valid for the proposed facility as they pertain to receipt and management of wastes derived from this Contract.
 - c. A listing of all permits, licenses, letters of approval, and other authorizations to operate which have been applied for by the proposed facility.
 - d. The Contractor shall specify and describe the disposal/containment unit(s) that the proposed facility will use to manage the waste. The Contractor shall identify the capacity available in the units and the capacity reserved for the subject waste.
 - e. The Contractor shall provide the date of the proposed facility(ies) last compliance inspection under RCRA.

- f. A list of all active (unresolved) compliance orders, agreements, enforcement notices or notices of violations issued to the proposed facility shall be approved. The source and nature of the cause of violation shall be stated, if known.
8. Description of all sampling and analyses that will be needed to obtain disposal facility approval.

8.01 H.2 MATERIALS

- A. Containers shall be watertight as required in the DOT regulations and must meet all applicable regulations including but not limited to those in Attachment 2.
- B. Polyethylene (20 mil. thickness minimum) to be placed under and (10 mil. thickness minimum) over soil piles. If soils are placed in drums, polyethylene must be placed over the drums.

8.01 H.1.3 CONSTRUCTION DETAILS

A. Material Handling

1. The Contractor shall institute procedures to protect site personnel and the public from the non-hazardous and hazardous materials as described in Section 8.01 S - Health and Safety.
2. The Contractor shall handle hazardous soil as approved in the MHP.
3. Stockpiled materials at the temporary TSD facility shall be handled according to the facility requirements but at a minimum: shall be drummed or placed on and covered with polyethylene to protect against erosion and leaching into surrounding soils, the stockpile area shall be graded for positive drainage away from the pile, and shall be labeled while being held for sampling prior to permanent disposal.
4. Provide any dewatering that is necessary to complete the work. Water shall be disposed of in accordance with Item 8.01 W1 – Removal, Treatment and Discharge/Disposal of Contaminated Water.

B. Off-Site Transportation and Disposal

1. The Contractor shall furnish all labor, equipment and supplies required to transport hazardous materials from the work area to the off-site TSD facility(ies) and to acquire any other items and services required for transporting hazardous materials for storage and/or disposal at an approved off-site facility.
2. **Weight Measurement**
 - a. The Contractor shall submit the name and location of the facility where an off-site scale is located. The Contractor shall also submit a plan to the DDC for review outlining procedures on controlling trucks leaving the work site and on-route to the off-site scale. The Contractor shall be responsible for tracking all materials/vehicles from the site to the off-site scale.
 - b. The Contractor shall provide to the DDC certified tare and gross weight slips for each load received at the accepted facility which shall be attached to each returned manifest.

3. General

- a. Manifests: The Contractor shall organize and maintain the material shipment records/manifests required by law.
 - b. The Contractor shall coordinate the schedule for truck arrival and material deliveries at the job site to meet the approved project schedule. The schedule shall be compatible with the availability of equipment and personnel for material handling at the job site.
 - c. The Contractor shall inspect all vehicles leaving the project site to ensure that hazardous soils adhering to the wheels or under carriage are removed prior to the vehicle leaving the site.
 - d. The Contractor shall obtain letters of commitment from the waste haulers and the TSD facility to haul and accept shipments. The letter shall indicate agreement to handle and accept the specified estimated quantities and types of material during the time period specified in the project schedule and any time extension as deemed as necessary.
4. Hauling
- a. The Contractor shall not deliver waste to any facility other than the TSD facility(ies) listed on the shipping manifest.
 - b. The Contractor shall coordinate manifesting, placarding, of shipments, and vehicle decontamination. All quantities shall also be measured and recorded upon arrival at the TSD facility. If any deviation between the two records occurs, the matter is to be reported immediately to the DDC and to be resolved by the Contractor to the satisfaction of the DDC.
 - c. The Contractor shall be held responsible, at its own expense, for any and all actions necessary to remedy situations involving material spilled in transit or mud and dust tracked off-site.
 - d. The Contractor shall ensure that trucks are protected against contamination by properly covering and lining them with compatible material (such as polyethylene) or by decontaminating them prior to any use other than hauling hazardous materials.
 - e. The Contractor shall be responsible for inspecting the access routes for road conditions, overhead clearance, and weight restrictions.
 - f. The Contractor shall only use the transporter(s) identified in the MHP for the performance of work. Only a transporter with a current Part 364 Waste Transporter Permit from the DEC may transport this material. Any use of substitute or additional transporters must have previous written approval from the DDC at no additional cost to the City.
 - g. The Contractor shall develop, document, and implement a policy for accident prevention.
 - h. The Contractor shall not combine hazardous materials from other projects with material from this project.

- i. **The Contractor shall obtain for the City an EPA hazardous waste generator identification number and a representative of Program Management, OEGS will review and sign the manifest as the generator.**
 - j. No materials shall be transported until approved by the DDC.
5. Off-Site Disposal
 - a. The Contractor shall be responsible for acceptance of the materials at an approved TSD facility, for ensuring that the facility is properly permitted to accept the stated materials, and that the facility provides the stated storage and/or disposal services.
 - b. In the event that the identified and approved facility ceases to accept the stated materials or the facility ceases operations, it is the Contractor's responsibility to locate an alternate approved and permitted facility(ies) for accepting materials. The Contractor is responsible for making the necessary arrangements to utilize the facility(ies), and the alternate facility(ies) must be approved in writing by the DDC in the same manner and with the same requirements as for the original facility(ies). This shall be done with no extra cost or delay to the City.
 - c. The Contractor shall submit all results and weights to the DDC.
 - d. **The Contractor is responsible to pay all fees associated with the generation and disposal of all excavated hazardous waste. These fees include, but are not limited to, the New York State Department of Finance and Taxation (DFT) quarterly fees for hazardous waste and the New York State DEC annual hazardous waste regulatory fee program. The Contractor shall submit a copy of proof of payment to the DDC and Program Management, OEGS.**
6. Equipment and Vehicle Decontamination

The Contractor shall design and construct a portable decontamination station to be used to decontaminate equipment and vehicles exiting from the exclusion zone. The cost for this work shall be paid under Item 8.01 S - Health and Safety. Disposal of decontamination liquids is described under Item 8.01 W1 – Removal, Treatment and Discharge/Disposal of Contaminated Water.
7. Record Keeping

The Contractor shall obtain manifest forms, and complete the shipment manifest records required by the appropriate regulatory agencies for verifying the material and quantity of each load in unit of volume and weight. Copies of each manifest shall be submitted to the DDC within four (4) business days following shipment, and within three (3) business days after notification of receipt of the facility. Any manifest discrepancies shall be reported immediately to the DDC and be resolved by the Contractor to the satisfaction of the DDC.

8.01 H.4 METHOD MEASUREMENT

Quantities for hazardous soil shall be measured in tons satisfactorily delivered to the treatment, storage or disposal facility. The tonnage will be determined by off-site truck scales, as per subsection 8.01 H1.3.B.2, that are capable of generating load tickets.

8.01 H.5 PRICE TO COVER

- A. The unit price bid per ton for Item 8.01 H shall include the cost of furnishing all labor, materials, equipment, plan, and insurance for excavation, handling, transportation, disposal, documentation, permits, fees, taxes, stockpiling, hauling, and any other incidentals necessary to complete the work as specified herein for handling, transporting and disposal of hazardous soils.
- B. Final disposal of non-hazardous materials shall be paid for under Item 8.01 C1 – Handling, Transporting and Disposal of Non-Hazardous Soils. Disposal of decontamination water shall be paid under Item 8.01 W1 – Removal, Treatment and Discharge/Disposal of Contaminated Water.
- C. The independent Environmental Consultant shall be paid under Item 8.01 S – Health and Safety.
- D. Backfill will be paid for under its respective item.

Payment will be made under:

ITEM NUMBER	ITEM	PAYMENT UNIT
8.01 H	Handling, Transporting, and Disposal of Hazardous Soils	Tons

ITEM 8.01 S HEALTH AND SAFETY

8.01 S.1 WORK TO INCLUDE

Health and Safety Requirements

A. Scope of Work

It is the Contractor's responsibility to stage and conduct his work in a safe manner. The Contractor shall implement a Health and Safety Plan (HASP) for contaminated/hazardous soil intrusive activities as set forth in Occupational Safety and Health Administration (OSHA) Standards 1910.120 and 1926.650-652. The Contractor shall ensure that all workers have at a minimum hazard awareness training. The Contractor shall segregate contaminated work area in secured exclusion zones. These zones shall limit access to Contractor personnel specifically trained to enter the work area. The exclusion zone shall be set up to secure the area from the public and untrained personnel. The project health and safety program shall apply to all construction personnel including persons entering the work area. In addition, the Contractor shall protect the public from on-site hazards, including subsurface contaminants associated with on-site activities. The HASP shall be signed off by a Certified Industrial Hygienist and reviewed by Program Management, Office of Environmental and Geotechnical Services (OEGS).

Work shall include, but not be limited to:

1. Implementation of a baseline medical program.
2. Providing safety equipment and protective clothing for site personnel, including maintenance of equipment on a daily basis; replacement of disposable equipment as required; decontamination of clothing, equipment and personnel; and providing all other health and safety measures.

3. Providing, installing, operating and maintaining on-site emergency medical first aid equipment as specified in this section for which payment is not provided under other pay items in this Contract.
4. Providing, installing, operating, maintaining and decommissioning all equipment and personnel decontamination facilities specified within this section, including, but not limited to, the decontamination pad, decontamination water supply, decontamination water collection equipment and all other items and services required for the implementation of the health and safety requirements for which pay items are not provided elsewhere in this Contract.
5. Provide the minimum health and safety requirements for excavation activities within the limits of this Contract.
6. Implement and enforce a HASP: The HASP as presented in these specifications is dynamic with provisions for change to reflect new information, new practices or procedures, changing site environmental conditions or other situations which may affect site workers and the public. The HASP will also address measures for community protection, accident prevention, personnel protection, emergency response/contingency planning, air monitoring, odor control and hazardous chemicals expected on site. Providing a Confined Space Entry Program as defined in the Occupational Safety and Health Act, Confined Space Entry Standard, 29 CFR 1910.146.

B. Environmental Consulting Services

The Contractor shall retain an independent Environmental Consultant to obtain all permits and perform all field screening, air monitoring, community air monitoring, soil sampling, and health and safety services. The independent Environmental Consultant shall at a minimum provide documentation to the Program Management, OEGS demonstrating the minimum requirements as set forth below:

1. The independent Environmental Consultant project supervisor on site and other designated key personnel shall have a minimum of three (3) years experience in the environmental field dealing with issues associated with contaminated soils. Such experience shall include oversight on environmental, specifically volatile organic compound and dust monitoring services as a routine part of its daily operations.
2. The independent Environmental Consultant must be experienced in work of this nature, size, and complexity and must have previous experience in working with the DEC.
3. The independent Environmental Consultant shall furnish a project listing identifying the location, nature of services provided, owner, owner's contact, contact's telephone number, project duration and value for at least five (5) projects within the last three (3) years.
4. If conditions within the exclusion zone are deemed hazardous, then the Contractor and its independent Environmental Consultant shall ensure that all personnel working within identified exclusion zones and/or involved (direct contact) with the handling, storage or transport of hazardous and contaminated materials shall have completed a minimum of forty (40) hours of Health and Safety Training on Hazardous Waste Sites in accordance with 29 CFR 1910.120(e). The training program shall be conducted by a qualified safety instructor. If conditions in the exclusion zone are deemed to be non-hazardous, the independent Environmental Consultant shall provide site specific training.
5. The Contractor shall ensure that on-site management and supervisors directly responsible for or who supervise employees engaged in hazardous waste operations shall receive the

training specified in above and at least eight (8) additional hours of specialized training on managing such operations at the time of job assignment.

C. Submittals

1. The Contractor shall submit, within forty-five (45) calendar days after the contract award, a written HASP as specified herein, to Program Management, OEGS for review and comment. The Contractor shall make all necessary revisions required by Program Management, OEGS and resubmit the HASP to the Program Management, OEGS for acceptance. Start-up work for the project will not be permitted until written acceptance has been issued by the Program Management, OEGS.
2. Daily safety logs shall be maintained by the Contractor and shall be submitted to the DDC either on request or on completion of the work. Training logs shall be maintained by the Contractor and submitted to the DDC either on request or on completion of the work. Daily logs on air monitoring during excavation activities shall be prepared and maintained by the Contractor and submitted to the DDC either on request or upon completion of the work.
3. A closeout report shall be submitted by the Contractor to the DDC upon completion of the work within the defined exclusion zones. This report shall summarize the daily safety and monitoring logs and provides an overview of the Contractor's performance regarding environmental and safety issues. The report shall carefully document all areas where contamination has been found including pictures, addresses of locations, and potential sources.
4. Medical Surveillance Examinations: The Contractor shall submit to the DDC the name, office address and telephone number of the medical consultant utilized. Evidence of baseline medical examinations together with the evidence of the ability to wear National Institute for Occupational Safety and Health (NIOSH) approved respirators (as specified in American National Standards Institute (ANSI) Z88.6) shall be provided to the DDC for all construction personnel who are to enter the exclusion zones.
5. Accident Reports: All accidents, spills, or other health and safety incidents shall be reported to the DDC.

D. Health and Safety Plan

The HASP shall comply with OSHA regulations 29 CFR 1910.120/1926.65. This document shall at a minimum contain the following:

1. Description of work to be performed
2. Site description
3. Key personnel
4. Worker training procedures
5. Work practices and segregation of work area
6. Hazardous substance evaluation
7. Hazard assessment
8. Personal and community air monitoring procedures and action levels
9. Personal protective equipment
10. Decontamination procedures
11. Safety rules
12. Emergency procedures
13. Spill control, dust control, vapor/odor suppression procedures
14. Identification of the nearest hospital and route
15. Confined space procedures

16. Excavation safety procedures

8.01 S.2 MEASUREMENT

Health and Safety Requirements

- A. 25% of the lump sum price will be paid when the following items are implemented or mobilized:
- Medical surveillance program
 - Health and safety training
 - Health and safety plan
 - Environmental and personnel monitoring
 - Instrumentation
 - Spill control
 - Dust control
 - Personnel and equipment decontamination facilities
 - Personnel protective clothing
 - Communications
 - Mobilization
- B. 50% will be paid in proportional monthly amounts over the period of work.
- C. 25% will be paid when the operation is demobilized and removed from the project site.

8.01 S.3 PRICE TO COVER

Health and Safety Requirements

The lump sum price bid for the health and safety requirements shall include all labor, materials, equipment, and insurance necessary to complete the work in accordance with these specifications. The price bid shall include, but not be limited to, the following:

- A. Providing training, safety personnel, air monitoring and medical examinations as specified.
- B. Providing safety equipment and protective clothing for site personnel, including maintenance of equipment on a daily basis; replacement of disposable equipment as required; decontamination of clothing, equipment and personnel; and all other health and safety activities or costs not paid for under other pay items in this Contract.
- C. Providing, installing, operating and maintaining on-site emergency medical and first aid equipment. This includes all furnishings, equipment, supplies and maintenance of all medical equipment, and all other health and safety items and services for which payment is not provided under other pay items in this Contract.
- D. Providing, installing, operating, maintaining, and decommissioning all personnel and equipment decontamination facilities, including decontamination pad, decontamination water supply, and all other items and services required for the implementation of the health and safety requirements for which pay items are not provided elsewhere in this Contract. Vehicle decontamination pads shall be included in the price of this item. Disposal of decontamination fluid shall be paid for under Item 8.01 W1 – Removal, Treatment and Discharge/Disposal of Contaminated Water.
- E. Spill Control
1. Payment shall account for furnishing, installing, and maintaining all spill control equipment and facilities. Payment will include equipment and personnel to perform

emergency measures required to contain any spillage and to remove spilled materials and soils or liquids that become contaminated due to spillage during work within the exclusion zones and handling of excavated soils and liquids from these areas. This collected spill material will be properly disposed of.

2. Payment under this item shall not include testing, handling, transportation or disposal of petroleum-contaminated/potentially hazardous soils excavated during construction. The price for this work will be paid for under Items 8.01 C1 – Handling, Transporting and Disposal of Non-Hazardous Contaminated Soils, 8.01 C2 – Sampling and Testing of Contaminated/Potentially Hazardous Soil for Disposal Parameters or 8.01 H – Handling, Transporting and Disposal of Hazardous Soils, as appropriate.

F. Dust Control

Payment shall account for furnishing, installing, and maintaining dust control equipment and facilities to be used whenever applicable dust levels are exceeded. Payment will include all necessary labor, equipment, clean water, foam, and all other materials required by the Dust Control Plan. The DOH Community Air Monitoring Plan (CAMP) may be used as guidance.

G. Vapor/Odor Suppression

Payment shall account for furnishing, installing and maintaining vapor/odor control equipment and facilities to be used whenever organic vapor monitoring or the presence of odors indicates that vapor suppression is required to protect workers or the public. Payment will include all necessary labor, equipment, clean water, foam and all other materials required by the Vapor/Odor Suppression Plan.

H. Mobilization/Demobilization

1. Mobilization

Payment shall include but not be limited to:

- a. All work required to furnish, install and maintain all signs, fencing, support zone facilities, parking areas and all temporary utilities;
- b. All work required to furnish, install, and maintain an office space with phone and utilities for health and safety personnel;
- c. All work required for complete preparation of lay down area for roll-off containers, including sampling, and any required fencing;
- d. All direct invoiced cost from bonding companies and government agencies for permits and costs of insurance; and
- e. All other items and services required for mobilization and site preparation.

2. Demobilization

Payment shall include but not be limited to: All work required to sample the area; remove from the site all equipment, temporary utilities and supporting facilities; performance of necessary decontamination and repairs; disposal of disposable equipment and protective gear and other items and services required for complete demobilization.

Payment will be made under:

ITEM NUMBER	ITEM	PAYMENT UNIT
8.01 S	Health and Safety	Lump Sum

ITEM 8.01 W1 REMOVAL, TREATMENT, AND DISCHARGE/DISPOSAL OF CONTAMINATED WATER

8.01 W1.1 WORK TO INCLUDE

General: This work shall consist of the proper removal and disposal of all contaminated groundwater and decontamination water generated during construction operations. The Contractor shall be solely responsible for the proper disposal or discharge of all contaminated water generated at the job site. The Contractor will have the option of treating water on-site for discharge to the combined sanitary/storm sewer system or removing contaminated water for off-site disposal. The Contractor shall be responsible to choose a method compatible to the construction work and shall be compensated on a per day basis regardless of method employed. The Contractor will be compensated for only those days where the system is in full operation.

The Contractor shall retain a dewatering/water treatment Specialist (hereinafter the "Specialist") and laboratory as specified under Item 8.01 W2 – Sampling and Testing of Contaminated Water, to conduct any testing that may be required for disposal of impacted water.

The dewatering/water treatment Specialist is responsible to obtain all permits; perform all water sampling, testing; and provide ancillary services related to dewatering and water treatment. The Specialist shall at a minimum provide documentation to the Program Management, Office of Environmental and Geotechnical Services (OEGS) demonstrating the minimum requirements as set forth below:

1. The Specialist shall demonstrate that it has, at a minimum, three (3) years experience in the design of dewatering plans. The Specialist should demonstrate expertise dealing with issues associated with contaminated water. During that three (3) year period, the Specialist shall demonstrate that it provided dewatering and water treatment systems as a routine part of its daily operations.
2. The Specialist must be experienced in work of this nature, size, and complexity and must have previous experience in working with the DEC.
3. The Specialist shall furnish a project listing identifying the location, nature of services provided, owner, owner's contact, contact's telephone number, project duration and value for at least five (5) projects within the last three (3) years of a similar nature, size, and complexity to this one.
4. If conditions within the exclusion zone are deemed hazardous, then the Contractor and its independent Environmental Consultant shall ensure that all personnel working within identified exclusion zones and/or involved (direct contact) with the handling, storage or transport of hazardous and contaminated material shall have completed a minimum of forty (40) hours of Health and Safety Training on Hazardous Waste Sites in accordance with 29 CFR 1910.120(e). The training program shall be conducted by a qualified safety instructor. If conditions in the exclusion zone are deemed to be non-hazardous, the Specialist shall be responsible to provide site-specific training to its employees and other affected personnel.
5. The Contractor shall ensure that on-site management and supervisors directly responsible for or who supervise employees engaged in hazardous waste operations shall receive the training specified in above and at least eight (8) additional hours of specialized training on managing such operations at the time of job assignment.

The Contractor shall document all operations associated with the handling, sampling and disposal of contaminated water, and ensure that they are in compliance with applicable Federal, State and Local statutes and regulations.

The Contractor shall supply all labor, equipment, transport, plant, material, treatment, and other incidentals required to conduct the specified work of this section.

If water will be disposed of into the combined sanitary/storm sewer system, the Contractor shall ensure the Specialist treats the water to comply with the New York City Department of Environmental Protection (DEP) Sanitary/Combined and Storm Sewer Effluent Limit concentrations prior to discharge. The Contractor is responsible for providing settling or filtering tanks and any other apparatus required by DEP. Alternatively, the Contractor can provide a plan for transport and disposal at an off-site waste disposal facility.

Within forty-five (45) calendar days after award of Contract, the Contractor shall submit to the Program Management, OEGS for review, a Water Handling Plan (WHP). The WHP must be approved by the Program Management, OEGS, prior to the Contractor's commencement of work. The minimum requirements for the WHP are specified herein Item 8.01W 1.2, for each type of disposal (disposal into the combined sanitary/storm sewer or off-site disposal). The Contractor shall maintain a complete, up to date copy of the WHP on the job site at all times.

8.01 W1.2 CONSTRUCTION DETAILS

For each disposal method the Contractor proposes to utilize (disposal to combined sanitary/storm sewer or off-site disposal), the WHP shall include the information required in paragraphs A and B below, as appropriate.

A. On-site treatment and discharge into New York City combined sanitary/storm sewers.

1. Regulations: The Contractor shall comply with all applicable regulations. This includes but may not be limited to:
Title 15-New DEP Sewer Use Regulations.
2. Permits: The Contractor is solely responsible to obtain all necessary and appropriate Federal, State and Local permits and approvals. The Contractor will be responsible for performing all and any system pilot tests required for permit approval. This includes but may not be limited to:
 - a. Industrial waste approval for the New York City sewer system.
 - b. Groundwater discharge permit for the New York City sewer system (DEP Division of Sewer Regulation and Control), if discharge to sewer exceeds 10,000 gallons per day.
 - c. The Contractor shall comply with DEC State Pollutant Discharge Elimination System (SPDES) Permit Number GP-0-10-001, General Permit for Stormwater Discharges.
 - d. Long Island well point permit for Brooklyn and Queens sites, if well points are used for dewatering.
 - e. Wastewater quality control application, DEP.
3. The WHP for this portion of the work shall include at a minimum:

- a. Identification and design of Contractor's proposed treatment to assure that the water meets the DEP sewer use guidelines prior to discharge to the sewer, including identification of all materials, procedures, settling or filtering tanks, filters and other appurtenances proposed for treatment and disposal of contaminated water.
- b. The name, address and telephone number of the contact for the Contractor's proposed chemical laboratory, as well as the laboratory's certifications under Federal, State or non-governmental bodies.
- c. The name, address and telephone number of the contact for the Contractor's proposed independent Environmental Consultant.
- d. Copies of all submitted permit applications and approved permits the Contractor have received.

4. Materials

The Contractor shall supply all settling or filtering tanks, pumps, filters, treatment devices and other appurtenances for treatment, temporary storage and disposal of contaminated water. All equipment shall be suitable for the work described herein.

5. Execution

- a. The Contractor is solely responsible for disposal of all water, in accordance with all Federal, State and Local regulations.
- b. The Contractor is solely responsible for any treatment required to assure that water discharged into the sewer is in compliance with all permits and Federal, State and Local statutes and regulations.
- c. The Contractor is solely responsible for the quality of the water disposed of into the sewers.
- d. The Contractor is responsible for sampling and testing of water for the DEP Sanitary/Combined and Storm sewer Effluent Limit concentrations. The quality of the data is the Contractor's responsibility. Any sampling and testing shall be conducted and paid in accordance with Item 8.01 W2 – Sampling and Testing of Contaminated Water.
- e. The Contractor shall be responsible to maintain the discharge rate to the sewer such that all permit requirements are met, the capacity of the sewer is not exceeded and no surcharging occurs downstream due to the Contractor's actions. Dewatering by means of well points or deep wells will not be allowed in the Boroughs of Brooklyn or Queens where the rate of pumping exceeds forty-five (45) gallons per minute unless the appropriate permit has been secured from the DEC.
- f. Disposal of Treatment Media
 - (1) The Contractor shall be responsible for disposal or recycling of treatment media in accordance with all Federal, State and Local regulations.

- (2) The Contractor shall provide the DDC with all relevant documentation concerning the disposal of treatment media, including manifests, bills of lading, certificates of recycling or destruction and other applicable documentation.
- (3) **Disposal of treatment media shall not be considered as a separate pay item; instead it shall be considered as incidental work thereto and included in the unit price bid.**

B. Off-Site Disposal

1. Regulations: The Contractor shall conform to all applicable Federal, State and Local regulations pertaining to the transportation, storage and disposal of any hazardous and/or non-hazardous materials as listed in Attachment 2.
2. The following shall be submitted to the DDC prior to initiating any off-site disposal:
 - a.
 - (1) Name and waste transporter permit number
 - (2) Address
 - (3) Name of responsible contact for the hauler
 - (4) Any and all necessary permit authorizations for each type of waste transported
 - (5) Previous experience in performing the type of work specified herein
 - b. General information for each proposed treatment/disposal facility and at least one backup treatment/disposal facility
 - (1) Facility name and EPA identification number
 - (2) Facility location
 - (3) Name of responsible contact for the facility
 - (4) Telephone number for contact
 - (5) Unit of measure utilized at facility for costing purposes
 - c. A listing of all permits, licenses, letters of approval and other authorizations to operate, which are currently held and valid for the proposed facility as they pertain to receipt and management of the wastes derived from this Contract.
 - d. A listing of all permits, licenses, letters of approval and other authorizations to operate which have been applied for by the proposed facility but not yet granted or issued. Provide dates of application(s) submitted. Planned submittals shall also be noted.
 - e. The Contractor shall specify and describe the disposal/containment unit(s) that the proposed facility will use to manage the waste and provide dates of construction and beginning of use, if applicable. Drawings may be provided. The Contractor shall identify the capacity available in the units and the capacity reserved for the subject waste.

- f. The Contractor shall provide the date of the proposed facility's last compliance inspection.
- g. A list of all active (unresolved) compliance orders, agreements, enforcement notices or notices of violations issued to the proposed facility shall be submitted. The source and nature of the cause of violation shall be stated, if known. If groundwater contamination is noted, details of the facility's groundwater monitoring program shall be provided.
- h. Description of all sampling and field/laboratory analyses that will be needed to obtain disposal facility approval.

3. Materials

All vessels for temporary storage and transport to an off-site disposal facility shall be as required in DOT regulations.

4. Execution

a. General

- (1) The Contractor shall organize and maintain the material shipment records/manifests required by Federal, State and Local law. The Contractor shall include all bills of lading, certificates of destruction, recycling or treatment and other applicable documents.
- (2) The Contractor shall coordinate the schedule for truck arrival and material deliveries at the job site to meet the approved project schedule. The schedule shall be compatible with the availability of equipment and personnel for material handling at the job site.
- (3) The Contractor shall inspect all vehicles leaving the project site to ensure that contaminated liquids are not spilling and are contained for transport.
- (4) The Contractor shall obtain letters of commitment from the waste haulers and the treatment, disposal or recovery facility to haul and accept shipment. The letter shall indicate agreement to handle and accept the specified estimated quantities and types of material during the time period specified in the project schedule and any time extension as deemed as necessary.
- (5) The Contractor shall verify the volume of each shipment of water from the site.
- (6) The Contractor is responsible for sampling and testing of water for off-site disposal. The quality of the data is the Contractor's responsibility. Any sampling and testing shall be conducted and paid in accordance with Item 8.01 W2 – Sampling and Testing of Contaminated Water.
- (7) The Contractor shall be responsible for any additional analyses required by the TSD facility, and for the acceptance of the water at an approved TSD facility.

b. Hauling

- (1) The Contractor shall not deliver waste to any facility other than the TSD facility(ies) listed on the shipping manifest.
- (2) The Contractor shall coordinate manifesting, placarding of shipments, and vehicle decontamination. All quantities shall also be measured and recorded upon arrival at the TSD facility(ies). If any deviation between the two records occurs, the matter is to be reported immediately to the DDC and shall be resolved by the Contractor to the satisfaction of the DDC.
- (3) The Contractor shall be held responsible for any and all actions necessary to remedy situations involving material spilled in transit or mud and dust tracked off-site. This cleanup shall be accomplished at the Contractor's expense.
- (4) The Contractor shall be responsible for inspecting the access routes for road conditions, overhead clearance and weight restrictions.
- (5) The Contractor shall only use the transporter(s) identified in the WHP for the performance of work. Only a transporter with a current Part 364 Waste Transporter Permit from DEC may transport this material. Any use of substitute or additional transporters must have previous written approval from the DDC at no additional cost to the City.
- (6) The Contractor shall develop, document, and implement a policy for accident prevention.
- (7) The Contractor shall not combine waste materials from other projects with material from this project.
- (8) The Contractor shall obtain for the City a hazardous waste generator identification number and will sign the manifest as the generator, if necessary.
- (9) No material shall be transported until approved by the DDC.

c. Disposal Facilities

- (1) The Contractor shall use only the TSD facility(ies) identified in the WHP for the performance of the work. Substitutions or additions shall not be permitted without prior written approval from the Program Management, OEGS, and, if approved, shall be at no extra cost to the City.
- (2) The Contractor shall be responsible for acceptance of the material at an approved TSD facility, for ensuring that the facility is properly permitted to accept the stated material, and that the facility provides the stated storage and/or disposal services.
- (3) The DDC reserves the right to contact and visit the disposal facility and regulatory agencies to verify the agreement to accept the stated material and to verify any other information provided. This does not in any way relieve the Contractor of his responsibilities under this Contract.
- (4) In the event that the identified and approved facility ceases to accept the stated materials or the facility ceases operations, it is the Contractor's

responsibility to locate an alternate approved and permitted facility(ies) for accepting materials. The Contractor is responsible for making the necessary arrangements to utilize the facility(ies), and the alternate facility(ies) must be approved in writing by the DDC in the same manner and with the same requirements as for the original facility(ies). This shall be done with no extra cost or delay to the City.

d. Equipment and Vehicle Decontamination

- (1) The Contractor shall design and construct a portable decontamination station to be used to decontaminate equipment and vehicles exiting the exclusion zone. The cost for this work shall be paid under Item 8.01 S – Health and Safety.

8.01 W1.3 METHOD OF MEASUREMENT

The quantity for on-site treatment and discharge or off-site disposal shall be on a per day basis.

8.01 W1.4 PRICE TO COVER

- A. The per day price bid for Item 8.01 W1 shall include the cost of furnishing all labor, materials, equipment, plan, and insurance for handling, transportation, disposal, documentation, permits, hauling, mobilization and demobilization, and any other incidentals thereto to complete the work.
- B. The Contractor will not be paid for water that is within the DEP Sewer Discharge Limits.

Payment will be made under:

ITEM NUMBER	ITEM	PAYMENT UNIT
8.01 W1	Removal, Treatment and Disposal/Discharge of Contaminated Water	Day

ITEM 8.01 W2 SAMPLING AND TESTING OF CONTAMINATED WATER

8.01 W2.1 WORK TO INCLUDE

A. Description

The work shall consist of sampling and testing of potentially contaminated groundwater, surface runoff within the excavated area and all contaminated water generated during the decontamination process.

B. Sampling and Testing

- 1. The Contractor is responsible, at a minimum, for sampling and testing of contaminated water for the DEP Sanitary/Combined and Storm Sewer Effluent Limit concentrations as listed in Attachment 1. The quality of the data is the Contractor’s responsibility. Any additional testing required by the Federal, State and/or disposal facilities shall be included in the bid price of this Item.

2. All sampling and testing shall be conducted by a person trained in sampling protocols using accepted standard practices and/or the DEC sampling guidelines and protocols.
3. All sample containers shall be marked with legible sample labels which shall indicate the project name, sample location and/or container, the sample number, the date and time of sampling, preservatives utilized, how the sample was chilled to 4 degrees Celsius, and other information that may be useful in determining the character of the sample.
4. Chain-of-custody shall be tracked from laboratory issuance of sample containers through receipt of the samples.
5. The Contractor shall maintain a bound sample log book. The Contractor shall provide the DDC access to it at all times and shall turn it over to the DDC in good condition at the completion of the work. The following information, as a minimum, shall be recorded to the log:
 - a. Sample identification number
 - b. Sample location
 - c. Field observation
 - d. Sample type
 - e. Analyses
 - f. Date/time of collection
 - g. Collector's name
 - h. Sample procedures and equipment used
 - i. Date sent to laboratory/name of laboratory
6. Only dedicated sampling equipment may be used to collect these samples. All equipment involved in field sampling must be decontaminated before being brought to the site, and must be properly disposed of after use.
7. Samples shall be submitted to the Contractor's laboratory within the holding times for the parameters analyzed.
8. All analyses must be done by a laboratory that has received approval from the DOH's ELAP for the methods to be done. The Contractor must specify the laboratory in the WHP.
9. Analytical results for water discharged to the sewer and for off-site disposal must be submitted to the DDC no later than five (5) days after sample collection.
10. The City reserves the right to direct the Contractor to conduct alternative sampling in lieu of the parameters described above, if the situation warrants. The substitute sampling parameters shall be of equal or lesser monetary value than those described above, as determined by industry laboratory pricing standards.

8.01 W2.2 METHOD OF MEASUREMENT

Quantities for samples shall be measured as the number of sets of samples that are tested for the DEP Sanitary/Combined and Storm Sewer Effluent Limit concentrations. A set shall be defined as one (1) representative sample analyzed for the full range of DEP parameters as specified in attachment 1.

8.01 W2.3 PRICE TO COVER

The unit price bid per set for Item 8.01 W2 shall include the cost of furnishing all labor, materials, equipment, plan, and insurance for handling, transport, sampling, testing, documentation, permits, other incidentals necessary to complete the work of sampling and testing of contaminated water. Any additional costs incurred by the Contractor for sampling and testing of contaminated water shall be included in the bid price of this Item.

Payment will be made under:

<u>ITEM NUMBER</u>	<u>ITEM</u>	<u>PAYMENT UNIT</u>
8.01 W2	Sampling and Testing of Contaminated Water	Set

**ATTACHMENT 1: NYCDEP LIMITATIONS FOR DISCHARGE TO STORM,
SANITARY/COMBINED SEWER**

**NEW YORK CITY DEPARTMENT OF ENVIRONMENTAL PROTECTION
BUREAU OF WASTEWATER TREATMENT**

Limitations for Effluent to Sanitary or Combined Sewers

Parameter¹	Daily Limit	Units	Sample Type	Monthly Limit
Non-polar material ²	50	mg/l	Instantaneous	---
pH	5-11	SU's	Instantaneous	---
Temperature	< 150	Degree F	Instantaneous	---
Flash Point	> 140	Degree F	Instantaneous	---
Cadmium	2 0.69	mg/l mg/l	Instantaneous Composite	--- --
Chromium (VI)	5	mg/l	Instantaneous	---
Copper	5	mg/l	Instantaneous	---
Lead	2	mg/l	Instantaneous	---
Mercury	0.05	mg/l	Instantaneous	---
Nickel	3	mg/l	Instantaneous	---
Zinc	5	mg/l	Instantaneous	---
Benzene	134	ppb	Instantaneous	57
Carbontetrachloride	---	---	Composite	---
Chloroform	---	---	Composite	---
1,4 Dichlorobenzene	---	---	Composite	---
Ethylbenzene	380	ppb	Instantaneous	142
MTBE (Methyl-Tert-Butyl-Ether)	50	ppb	Instantaneous	---
Naphthalene	47	ppb	Composite	19
Phenol	---	---	Composite	---
Tetrachloroethylene (Perc)	20	ppb	Instantaneous	---
Toluene	74	ppb	Instantaneous	28
1,2,4 Trichlorobenzene	---	---	Composite	---
1,1,1 Trichloroethane	---	---	Composite	---
Xylenes (Total)	74	ppb	Instantaneous	28
PCB's (Total) ³	1	ppb	Composite	---
Total Suspended Solids (TSS)	350 ⁴	mg/l	Instantaneous	---
CBOD ⁵	---	---	Composite	---
Chloride ⁵	---	---	Instantaneous	---
Total Nitrogen ⁵	---	---	Composite	---
Total Solids ⁵	---	---	Instantaneous	---

- 1 All handling and preservation of collected samples and laboratory analyses of samples shall be performed in accordance with 40 C.F.R. pt. 136. If 40 C.F.R. pt. 136 does not cover the pollutant in question, the handling, preservation, and analysis must be performed in accordance with the latest edition of "Standard Methods for the Examination of Water and Wastewater." All analyses shall be performed using a detection level less than the lowest applicable regulatory discharge limit. If a parameter does not have a limit, then the detection level is defined as the least of the Practical Quantitation Limits identified in NYSDEC's Analytical Detectability and Quantitation Guidelines for Selected Environmental Parameters, December 1988
- 2 Analysis for *non-polar materials* must be done by EPA method 1664 Rev. A. Non-Polar Material shall mean that portion of the oil and grease that is not eliminated from a solution containing N-Hexane, or any other extraction solvent the EPA shall prescribe, by silica gel absorption.
- 3 Analysis for PCB=s is required if *both* conditions listed below are met:
 - 1) if proposed discharge \geq 10,000 gpd;
 - 2) if duration of a discharge > 10 days.Analysis for PCB=s must be done by EPA method 608 with MDL= \leq 65 ppt. PCB's (total) is the sum of PCB-1242 (Arochlor 1242), PCB-1254 (Arochlor 1254), PCB-1221 (Arochlor 1221), PCB-1232 (Arochlor 1232), PCB-1248 (Arochlor 1248), PCB-1260 (Arochlor 1260) and PCB-1016 (Arochlor 1016).
- 4 For discharge \geq 10,000 gpd, the TSS limit is 350 mg/l. For discharge < 10,000gpd, the limit is determined on a case by case basis.
- 5 Analysis for Carbonaceous Biochemical Oxygen Demand (CBOD), Chloride, Total Solids and Total Nitrogen are required if proposed discharge \geq 10,000 gpd.

ATTACHMENT 2: APPLICABLE REGULATIONS

Applicable regulations include, but are not limited to:

1. 49 CFR 100 to 179 - DOT Hazardous Materials Transport and Manifest System Requirements
2. New York State Department of Environmental Conservation (DEC), Spills Technology and Remediation Series (STARS) Memo #1
3. 6 NYCRR 360-1 DEC Solid Waste Management Facilities
4. 6 NYCRR 364- Waste Transporter permits
5. Local restrictions on transportation of waste/debris
6. 40 CFR 260 to 272 - Hazardous Waste Management (RCRA)
7. 6 NYCRR 371 - Identification and Listing of Hazardous Wastes
8. 6 NYCRR 372 - Hazardous Waste Manifest System and Related Standards for Generators, Transporters and Facilities
9. 6 NYCRR 373-1 - Hazardous Waste Treatment, Storage and Disposal Facility Permitting Requirements
10. 6 NYCRR 376 - Land Disposal Restrictions
11. Posted weight limitations on roads or bridges
12. Transportation Skills Programs, Inc. 1985 - Hazardous Materials and Waste Shipping Papers and Manifests
13. Other local restrictions on transportation of waste/debris
14. Occupational Safety and Health Administration (OSHA), Standards and Regulations, 29 CFR 1910 (General Industry)
15. OSHA 29 CFR 1910.120 Hazardous Waste Operations and Emergency Response
16. OSHA Safety and Health Standards 29 CFR 1926 (Construction Industry)
17. OSHA 29 CFR 1910.146 Confined Space Entry Standard
18. Standard Operating Safety Guidelines, EPA Office of Emergency and Remedial Response Publication, 9285.1-03
19. NIOSH / OSHA / USCG / EPA Occupational Safety and Health Guidance Manual for Hazardous Waste Site Activities (1986)
20. U.S. Department of Health and Human Services (DHHS) "NIOSH Sampling and Analytical Methods," DHHS (NIOSH) Publication 84-100
21. ANSI, Practice for Respiratory Protection, Z88.2 (1980)
22. ANSI, Emergency Eyewash and Shower Equipment, Z41.1 (1983)
23. ANSI, Protective Footwear, Z358.1 (1981)
24. ANSI, Physical Qualifications for Respirator Use, Z88.6 (1984)
25. ANSI, Practice for Occupational and Educational Eye and Face Protection, Z87.1 (1968)
26. Water Pollution Control Federation "Manual of Practice No. 1, Safety in Wastewater Works"

27. NFPA No. 327 "Standard Procedures for Cleaning and Safeguarding Small Tanks and Containers"
28. Occupational Safety and Health Act Confined Space Entry Standard 29 CFR 1910.146.87
29. Department of Transportation 49 CFR 100 through 179
30. Department of Transportation 49 CFR 387 (46 FR 30974, 47073)
31. Environmental Protection Agency 40 CFR 136 (41 FR 52779)
32. Environmental Protection Agency 40 CFR 262 and 761
33. Resource Conservation and Recovery Act (RCRA)
34. Any transporter of hazardous or non-hazardous materials shall be licensed in the State of New York and all other states traversed in accordance with all applicable regulations.

ATTACHMENT 3: DEFINITIONS

Contaminated Groundwater and Decontamination Fluids: Groundwater within the excavation trench or decontamination water that contains regulated compounds above the NYCDEP Discharge to Sanitary/Combined Sewer Effluent limits.

Disposal or Treatment Facility: A facility licensed to accept either non-hazardous regulated waste or hazardous waste for either treatment or disposal.

Exclusion Zone: Work area that will be limited to access by Contractor personnel specifically trained to enter the work area only. The exclusion zone will be set up to secure the area from the public and untrained personnel. The project health and safety program will apply to all construction personnel including persons entering the work area.

Hazard Assessment: An assessment of any physical hazards that may be encountered on a work site.

Hazardous Soils: Soils that exhibit any of the characteristics of a hazardous waste, namely ignitability, corrosivity, reactivity, and toxicity, as defined in 6 NYCRR Part 371, Section 371.3 and 40 CFR Section 261.

Hazardous Substance Evaluation: An evaluation of the possible or known presence of any hazardous substances that may be encountered on a job site. This evaluation is included in the Health and Safety Plan and will include the identification and description of any hazardous substances expected to be encountered. Material Safety Data Sheets (MSDS) will be included for each substance.

Health and Safety Plan: A plan employed at a work site that describes all the measures that will be taken to assure that all work is conducted in a safe manner, and that the health of the workers and the public will be insured.

Material Handling Plan: A plan outlining the methods that will be employed to handle, transport and dispose of contaminated materials.

Non-Hazardous Contaminated Soils: Soils which exhibit a distinct chemical or petroleum odor, or exhibit elevated photoionization detector readings but are not classified as hazardous waste under 6 NYCRR Part 371, Section 371.3 and 40 CFR Section 261.

New York State Health Department's Environmental Laboratory Approval Program: A program by which the state of New York approves and accredits environmental testing laboratories.

PCBs: Polychlorinated biphenyls are a group of toxic compounds commonly used as a coolant in transformers and other electrical components.

Photoionization Detector: A hand held instrument used to measure volatile organic compounds in air. The instrument ionizes the organic molecules through the use of an ultraviolet lamp.

RCRA Hazardous Waste Characteristics: Characteristics of a material which may indicate the material is hazardous. These include: ignitability, corrosivity, reactivity, and toxicity.

Total Petroleum Hydrocarbons: An analytical procedure used to determine the total amount of petroleum compounds in a material.

ATTACHMENT 4: PHASE II SUBSURFACE CORRIDOR INVESTIGATION REPORT

- Final -

Phase II Subsurface Corridor Investigation Report

For

Storm Sewer and Water Main Works in 95th Street

Between 160th Avenue and 162nd Avenue, etc.

Queens, New York

DDC PROJECT NO. SEQ200490

WORK ORDER NO. 11830-LIRO-3-10809

CONTRACT REGISTRATION NO. 20151405569

Prepared for:



Office of Environmental and Geotechnical Services

30-30 Thomson Avenue, Third Floor

Long Island City, New York 11101

Prepared by:



LiRo Engineers, Inc.

703 Lorimer Street

Brooklyn, New York 11211

PROJECT NO. 15-008-0265

December 2, 2016

TABLE OF CONTENTS

EXECUTIVE SUMMARY ES-1

1.0 INTRODUCTION.....1

1.1 SUMMARY OF PREVIOUS ENVIRONMENTAL INVESTIGATIONS1

1.2 SCOPE OF WORK2

2.0 CORRIDOR INFORMATION.....4

2.1 CORRIDOR LOCATION, DESCRIPTION AND USE4

2.2 DESCRIPTION OF SURROUNDING PROPERTIES4

2.3 CORRIDOR AND REGIONAL TOPOGRAPHIC SETTING4

2.4 CORRIDOR AND REGIONAL GEOLOGY4

2.5 CORRIDOR AND REGIONAL HYDROGEOLOGY5

3.0 CORRIDOR EVALUATION.....6

3.1 SOIL QUALITY INVESTIGATION6

3.2 GROUNDWATER QUALITY INVESTIGATION7

3.3 LABORATORY ANALYSES7

3.4 DATA EVALUATION8

4.0 FINDINGS9

4.1 FIELD SCREENING9

4.2 SOIL AND GROUNDWATER LABORATORY ANALYTICAL RESULTS9

4.2.1 Volatile Organic Compounds (VOCs) in Soil.....9

4.2.2 Semi-Volatile Organic Compounds (SVOCs) in Soil.....9

4.2.3 Target Analyte List (TAL) Metals in Soil.....9

4.2.4 Pesticides in Soil.....9

4.2.5 Polychlorinated Biphenyls (PCBs) in Soil.....9

4.2.6 Waste Characterization of Soil.....9

4.2.7 Analysis of NYCDEP Parameters in Groundwater10

4.2.8 Volatile Organic Compounds (VOCs) in Groundwater10

4.2.9 Semi-Volatile Organic Compounds (SVOCs) in Groundwater10

4.2.10 Target Analyte List (TAL) Metals in Groundwater10

4.2.11 Polychlorinated Biphenyls (PCBs) in Groundwater10

4.2.12 Pesticides in Groundwater10

4.2.13 Quality Assurance/Quality Control Data10

5.0 CONCLUSIONS AND RECOMMENDATIONS12

6.0 STATEMENT OF LIMITATIONS.....14



<u>Tables</u>	1	Summary of Environmental Boring Data
	2	Summary of TCL VOCs Detected in Soil
	3	Summary of SVOCs Detected in Soil
	4	Summary of TAL Metals Detected in Soil
	5	Summary of Pesticides Detected in Soil
	6	Summary of PCBs Detected in Soil
	7	Summary of Waste Characteristics Detected in Soil
	8	Summary of Groundwater Quality
	9	Summary of TCL VOCs Detected in Groundwater
	10	Summary of TCL SVOCs Detected in Groundwater
	11	Summary of TAL Metals Detected in Groundwater
	12	Summary of TAL Metals (Dissolved) Detected in Groundwater
	13	Summary of Pesticides Detected in Groundwater
	14	Summary of PCBs Detected in Groundwater
<u>Figures</u>	1	Topographic Corridor Location Map
	2	Sample Location Plan
<u>Appendices</u>	A	Boring Location Sketches
	B	Geologic Boring Logs / Temporary Well Construction Log
	C	Laboratory Analytical Results

EXECUTIVE SUMMARY

On behalf of the New York City Department of Design and Construction (DDC), LiRo Engineers, Inc. (LiRo) conducted a Phase II Subsurface Corridor Investigation (Phase II SCI) of the SEQ200490 Corridor located along 95th Street between 160th and 162nd Avenues (the “Corridor”). The Corridor is located in the Howard Beach neighborhood of Queens, New York. Excavation for the extension of storm sewers, rehabilitation by lining method of sanitary sewers, and replacement of water main work is proposed along the Corridor. The Phase II SCI was conducted to determine if the Corridor’s environmental condition would impact proposed construction activities.

The Corridor is approximately 0.65 miles (3,425-feet) long and is comprised of the following street segments:

Street Segments	Length (feet)
95 th Street from 160 th Avenue to 162 nd Avenue	1,275
96 th Street from just north of 161 st Avenue to 162 nd Avenue	715
97 th Street from 140 feet north of 162 nd Avenue to 162 nd Avenue	140
161 st Avenue from 95 th Street to 97 th Street	560
162 nd Avenue from the dead end between Shellbank Basin and 95 th Street to just east of 97 th Street	735

This project is subject to additional review under City Environmental Quality Review (CEQR) by New York City Department of Environmental Protection (NYCDEP), since a portion of the proposed infrastructure work will include an outfall located within Shellbank Basin at the western end of 162nd Avenue and a designated tidal wetland.

Weston Solutions of New York, Inc. (Weston) prepared a Phase I Corridor Assessment Report (CAR) dated May 26, 2011, which presented the results of a survey conducted along the Corridor to assess the presence of potential sources of subsurface contamination within, and in the immediate vicinity of, the Corridor. The Phase I CAR identified three (3) sites that had a potential “Moderate” risk to impact the subsurface (soil and/or groundwater) of the Corridor and recommended the performance of a Phase II SCI. The objective of the Phase II SCI was to assess the absence or presence of potential subsurface contamination that might impact proposed construction activities. The proposed construction activities for the Corridor include the extension of storm sewers, rehabilitation by lining method of sanitary sewers, and replacement of water main work. The Phase II SCI consisted of the following components:

Scope of Work

- The advancement of five (5) soil borings (SB-2, SB-03, SB-05, SB-06, and SB-08) to a terminal depth of approximately 7 feet below grade (ftbg) and the advancement of three (3) soil borings (SB-01, SB-04, and SB-07) to a terminal depth of approximately 6 ftbg, and the field screening of soil samples, including photo-ionization detector (PID) readings and visual and olfactory indicators of contamination (staining, odors);
- The soil and groundwater samples collected as part of this Phase II SCI were collected to comply with the NYCDEP CEQR protocols;

- During the Phase II SCI field activities, groundwater was encountered below 6 ftbg in all of the soil borings except SB-02. Therefore, one (1) grab soil sample was collected from SB-01 and SB-03 through SB-08. Two (2) grab soil samples were collected from SB-02 from the 2-foot interval above the water table and from the bottom 6-inch interval of the boring. In total, nine (9) grab soil samples were collected and analyzed for the following parameters: (1) United States Environmental Protection Agency (USEPA) Target Compound List (TCL) volatile organic compounds (VOCs); (2) USEPA TCL semi-volatile organic compounds (SVOCs); (3) TCL polychlorinated biphenyls (PCBs); (4) USEPA pesticides; and, (5) USEPA Target Analyte List (TAL) metals;
- The collection of eight (8) composite soil samples from grade to the bottom of the boring or top of water table, whichever was less, were collected and analyzed for the following parameters: (1) Total Petroleum Hydrocarbon Diesel Range Organics/Gasoline Range Organics (TPHC DRO/GRO); (2) Resource Conservation and Recovery Act (RCRA) Characteristics; and, (3) Toxicity Characteristic Leaching Procedure (TCLP) RCRA Metals;
- The installation of two (2) temporary well points (TWPs) within soil borings SB-01 and SB-05, the collection of one (1) groundwater sample from each TWP, and the laboratory analyses of these samples for the following parameters: (1) USEPA TCL VOCs; (2) USEPA TCL SVOCs; (3) TCL PCBs; (4) USEPA pesticides; (5) USEPA TAL metals (filtered and unfiltered); and, (6) NYCDEP Limitations for Effluent to Sanitary or Combined Sewers (NYCDEP Sewer Discharge Criteria);
- Soil and groundwater Quality Control/Quality Assurance (QA/QC) samples were also collected to comply with the NYCDEP CEQR protocols and submitted for analysis for the following parameters:

Soil: duplicate soil sample (one [1] in total – “SB-05-3.5-4DUP”) – TCL VOCs, SVOCs, PCBs, Pesticides, and TAL metals. The duplicate sample was collected from the same soil depth interval as one (1) of the soil samples collected in the area of a “Moderate” risk site at the groundwater interface.

Soil and Groundwater: trip blank (one [1] sample per day – “Trip Blank”) - TCL VOCs. The trip blank includes an unopened water sample prepared by the laboratory which travels with the groundwater sample bottles from the laboratory to the field and from the field to the laboratory. The trip blank sample and the groundwater jars/samples were not separated, and remained in the same coolers.

Groundwater: duplicate groundwater sample (one [1] in total – “TWP-01DUP”) - TCL VOCs, SVOCs, PCBs, Pesticides, and TAL metals.

Groundwater: equipment blank (one [1] in total – “Equipment Blank”) - TCL VOCs, SVOCs, PCBs, Pesticides, and TAL metals. As per CEQR protocol, the groundwater QA/QC sampling did not include the analysis for NYCDEP Sanitary and Combined Sewer discharge parameters; and,

- The preparation of this report, which includes tables summarizing the laboratory analytical results and figures depicting boring locations, significant site features and, if applicable, contamination occurrence and distribution.

Soil and groundwater laboratory analyses were provided by York Analytical Laboratories, Inc. (York) of Stratford, Connecticut, a NYS Department of Health (NYSDOH) approved laboratory (No. 10854). In order to evaluate the subsurface soil quality, laboratory analytical results were compared with the regulatory standards identified in (1) New York State Department of Environmental Conservation (NYSDEC) Subpart 375-6: Remedial Program Unrestricted and Restricted Use (Track 1 and Track 2) Soil Cleanup Objectives (SCOs); (2) NYSDEC CP-51 Soil Cleanup Levels (SCLs) which include Supplemental Soil Cleanup Objectives (SSCOs) to NYSDEC Subpart 375-6 and SCLs for gasoline/fuel oil contaminated soil; and/or, (3) Toxicity Characteristic Regulatory Levels for Hazardous Waste published in RCRA and 6 New York Codes, Rules, and Regulation (NYCRR) Part 371. In order to evaluate the groundwater quality, the laboratory analytical results for the groundwater samples were compared to the NYSDEC Division of Water Technical and Operational Guidance Series (TOGS 1.1.1) Ambient Water Quality Standards and Guidance Values (AWQSGV) and Groundwater Effluent Limitations – Class GA Waters and the NYCDEP Sewer Discharge Criteria.

Based on the evaluation of the field screening data and the laboratory analytical results, and a comparison to applicable regulatory standards, the following findings are presented:

Findings

- The subsurface soils encountered during this Phase II SCI consisted predominantly of brown to gray fine to medium sand with some clay and peat and organic material from grade to 6-7 ftbg. Traces of silt were also noted. Groundwater was encountered within the on-site borings at depths ranging from 3.5 to 7 ftbg. Bedrock was not encountered during the Phase II SCI.
- Field screening (i.e., PID readings and visual and olfactory observations) did not identify impacted soils within the Corridor.
- VOCs, including acetone, methyl ethyl ketone/2-butanone, and tetrachloroethylene, were detected in one (1) of the eight (8) soil grab samples collected. Acetone, a common laboratory cross contaminant and most likely not representative of subsurface conditions, was detected at a concentration exceeding the Unrestricted Use (Track 1) SCO in SB-04 at 3.5-4 ftbg. Methyl ethyl ketone/2-butanone and tetrachloroethylene were detected below the applicable standards. One (1) TAL metal, iron, was detected in all eight (8) soil grab soil samples collected at concentrations ranging from 3,880 milligrams per kilograms (mg/kg) to 14,500 mg/kg, all of which exceed the corresponding CP-51 SCL. Based on the iron concentration consistency, the reported concentrations are likely attributed to background levels. Other TAL metals were detected but not exceeding Unrestricted Use (Track 1) and Restricted Use (Track 2) SCOs and CP-51 SCLs. SVOCs, pesticides, and PCBs were not detected in the eight (8) soil grab samples collected.
- Ignitability (flash point), reactivity (cyanide and sulfide), and corrosivity (pH) were within the acceptable RCRA ranges in all eight (8) composite samples collected. TCLP RCRA metals were not detected at concentrations exceeding RCRA limits in the eight (8) waste characterization soil samples collected. TPHC-DRO were detected at concentrations ranging from 14.7 to 36.2

milligram per kilogram (mg/kg) in all eight (8) samples (SB-01-COMP through SB-08-COMP). TPHC-GRO were not detected in any of the eight (8) composite samples collected. There are no regulatory standards for TPHC-DRO and TPHC-GRO. Analytical results will need to be compared to levels acceptable by the chosen receiving facility to determine appropriate waste Characterization prior to off-site disposal.

The two (2) groundwater samples (TWP-01 and TWP-05) were analyzed for the parameters required by the NYCDEP Limitations for Effluent to Sanitary or Combined Sewers (Daily Limit). All parameters were within NYCDEP Sewer Discharge Criteria. The two (2) groundwater samples were also analyzed for VOCs, SVOCs, PCBs, pesticides, and metals (filtered and unfiltered). One (1) VOC, tert-butyl alcohol, was detected in TWP-05 at a concentration below the TOGS 1.1.1 AWQSGV - Class GA Waters. One (1) SVOC, naphthalene, was detected in TWP-05 but below the TOGS 1.1.1 AWQSGVs - Class GA Waters. TAL metals, including iron and sodium, were detected in the two (2) groundwater samples collected at concentrations exceeding the TOGS 1.1.1 AWQSGVs - Class GA Waters. Iron concentrations were reported at concentrations ranging from 1.79 to 19 milligrams per liter (mg/L) which exceed the TOGS 1.1.1 AWQSGV (0.3 mg/L) - Class GA Waters in TWP-01 while sodium and dissolved sodium were reported at concentrations exceeding the TOGS 1.1.1 AWQSGV - Class GA Waters (20 mg/L) in TWP-01 and TWP-05. Based on the iron and sodium concentration consistencies, the reported concentrations are likely attributed to background levels. PCBs and pesticides were not detected in the two (2) groundwater samples collected.

One (1) duplicate soil sample was collected from one (1) of the on-site borings (SB-05) and analyzed for VOCs, SVOCs, metals, pesticides, and PCBs. The results for the duplicate samples were consistent with those detected within the primary soil samples. One (1) duplicate groundwater sample was collected from TWP-01 (SB-01) and analyzed for VOCs, SVOCs, metals, pesticides, and PCBs. The results for this duplicate sample were consistent with those detected within the primary TWP-01 (SB-01) groundwater sample. One (1) equipment blank sample was collected during the subsurface investigation. Based on the analytical results of this sample, one (1) VOC (acetone), was detected below applicable standards. Acetone is a common laboratory cross contaminant and most likely not representative of subsurface conditions. Seven (7) metals were also detected, all of which were below applicable standards. No SVOCs, PCBs, or pesticides were detected. No VOCs were reported within the trip blank sample submitted for analysis.

Conclusions and Recommendations

Based on the evaluation of the field screening data and the laboratory analytical results, and a comparison to applicable regulatory standards, the following conclusions are presented:

- Field screening (i.e., PID readings and visual and olfactory observations) did not identify any petroleum-impacted soils within the Corridor;
- Laboratory analytical results identified TPHC-DRO-impacted soils throughout the Corridor. The presence of elevated concentrations of TPHC-DRO in subsurface soils is attributed primarily to contaminants in historic fill material placed on the Corridor;

- Laboratory analytical results did not identify petroleum-impacted groundwater within the Corridor;
- The subsurface soil samples collected from the Corridor did not exhibit hazardous waste characteristics; and,
- The groundwater at the Corridor meets the NYCDEP Sewer Discharge Criteria for sanitary and combined sewers.

Based on the results of the field investigation and laboratory analytical results, LiRo recommends the following:

- The Contract documents should identify provisions and a contingency for managing, handling, transporting and disposing of non-hazardous, contaminated soil. The Contractor should be required to submit a Material Handling Plan, to identify the specific protocol and procedures that will be employed to manage the waste in accordance with applicable regulations;
- Due to the presence of TPHC DRO in subsurface soil in the investigated sites, dust control procedures are recommended during excavation activities to minimize the creation and dispersion of fugitive airborne dust. The Contractor may implement dust control measures to minimize potential of migrating fugitive airborne contaminants released as a direct result of construction activities;
- Based on the results of laboratory analyses for NYCDEP sewer discharge criteria, groundwater does not require pre-treatment prior to discharge to sanitary or combined sewers; however, the contractor may be required to obtain a NYCDEP sewer discharge permit if dewatering is necessary;
- If discharge into storm sewers is required during dewatering, it may be done under the appropriate NYSDEC State Pollutant Discharge Elimination System (SPDES) permit. Additional sampling and laboratory analysis may be required to satisfy NYSDEC requirements prior to discharge into storm sewers; and,
- Before beginning any excavation activity, the contractor shall submit a Corridor-specific health and safety plan (HASP) that will meet the requirements set forth by the Occupational, Safety and Health Administration (OSHA), the New York State Department of Health (NYSDOH) and any other applicable regulations. The HASP should identify the possible locations and risks associated with the potential contaminants that may be encountered, and the administrative and engineering controls that will be utilized to mitigate concerns.

1.0 INTRODUCTION

On behalf of the New York City Department of Design and Construction (DDC), LiRo Engineers, Inc. (LiRo) conducted a Phase II Subsurface Corridor Investigation (Phase II SCI) of the SEQ200490 Corridor located along 95th Street between 160th and 162nd Avenues (the “Corridor”). The Corridor is located in the Howard Beach neighborhood of Queens, New York. Excavation for the extension of storm sewers, rehabilitation by lining method of sanitary sewers, and replacement of water main work is proposed along the Corridor. The Phase II SCI was conducted to determine if the Corridor’s environmental condition will impact proposed construction activities.

The Corridor is approximately 0.65 miles (3,425-feet) long and is comprised of the following street segments:

Street Segments	Length (feet)
95 th Street from 160 th Avenue to 162 nd Avenue	1,275
96 th Street from just north of 161 st Avenue to 162 nd Avenue	715
97 th Street from 140 feet north of 162 nd Avenue to 162 nd Avenue	140
161 st Avenue from 95 th Street to 97 th Street	560
162 nd Avenue from the dead end between Shellbank Basin and 95 th Street to just east of 97 th Street	735

This project is subject to additional review under City Environmental Quality Review (CEQR) by New York City Department of Environmental Protection (NYCDEP) since a portion of the proposed infrastructure work will include an outfall located at the eastern end of Shellbank Basin and 162nd Avenue and a designated tidal wetland.

1.1 Summary of Previous Environmental Investigations

Weston Solutions of New York, Inc. (Weston) prepared a Phase I Corridor Assessment Report (Phase I CAR) dated May 26, 2011, which presented the results of a survey conducted along the Corridor to assess the presence of potential sources of subsurface contamination within, and in the immediate vicinity of, the Corridor. The survey also included a review of fire insurance maps to document historical use and a limited review of the New York State databases to identify sites that are known to be contaminated. It should be noted that the Corridor limits in the previous Phase I CAR did not include 162nd Street between 95th and 97th Streets and 96th Street between 161st and 162nd Avenues.

The Phase I CAR identified three (3) sites that had a Final “Moderate” risk to impact the subsurface of the Corridor and recommended advancing borings, installing temporary well points (TWPs), and collecting soil and groundwater samples to assess potential impacts.

“Moderate” Risk Sites:

No.	Facility Name	Address	Map ID
1	Residence (illegal dumping of petroleum reportedly)	162-06 95 th Street	M#1
2	Historical Boat Yards and Marinas	Blocks 14183 and 14189 on the west side of Shellbank Basin	M#2
3	Historical Gas Station	Block 14189, Lot 71 on the west side of Shellbank Basin	M#3

1.2 Scope of Work

The Phase II SCI consisted of a field investigation, laboratory analyses, and the preparation of this report, which includes tables summarizing the laboratory analytical results and figures depicting boring locations, significant site features and, if applicable, contamination occurrence and distribution. Drilling activities for the field investigation were performed by Cascade Drilling and Technical Services (Cascade) of Lynbrook, New York. Oversight of drilling activities was performed by LiRo. Laboratory analyses were provided by York Analytical Laboratories, Inc. (York) of Stratford, Connecticut, a NYS Department of Health (NYSDOH) approved laboratory (No. 10854). The field investigation was conducted October 20 and 21, 2016 and consisted of the following components:

- The soil and groundwater samples collected as part of this Phase II SCI were collected to comply with the NYCDEP CEQR protocols and are as follows.
- The advancement of five (5) borings (SB-2, SB-03, SB-05, SB-06, and SB-08) to a terminal depth of approximately 7 feet below grade (ftbg) and the advancement of three (3) borings (SB-01, SB-04, and SB-07) to a terminal depth of approximately 6 ftbg.
- The borings were cleared to the terminal depths of 6-7 feet using evasive methods to ensure clearance of subsurface utility lines and features. Soil samples were collected using a post hole digger and/or hand auger. In addition, a Health and Safety Plan was prepared prior to commencing field work.
- Field screening, classification, and identification of soils from the ground surface to the bottom of each boring. Soil samples were visually classified in the field using the Unified Soil Classification System (USCS). Field screening consisted of visual and olfactory indicators of impacts as well as screening with a photoionization detector (PID).
- During the Phase II SCI field activities, groundwater was encountered below 6 ftbg in all of the soil borings except SB-02. Therefore, one (1) grab soil sample was collected from SB-01 and SB-03 through SB-08. Two (2) grab soil samples were collected from SB-02. In total, nine (9) grab soil samples were collected. The grab samples were collected from the 6-inch interval above the water table and/or from the bottom 6-inch interval in each boring.
- The collection of eight (8) composite soil samples from grade to the bottom of the boring or top of water table, whichever was less, were collected,
- Laboratory analysis of the grab samples for: (1) United States Environmental Protection Agency (USEPA) Target Compound List (TCL) volatile organic compounds (VOCs); (2) USEPA TCL semi-volatile organic compounds (SVOCs); (3) TCL polychlorinated biphenyls (PCBs); (4) USEPA pesticides; and, (5) USEPA Target Analyte List (TAL) metals.
- Laboratory analysis of the composite samples for: (1) Total Petroleum Hydrocarbon Diesel Range Organics/Gasoline Range Organics (TPHC DRO/GRO); (2) Resource Conservation and Recovery Act (RCRA) Characteristics; and, (3) Toxicity Characteristic Leaching Procedure (TCLP) RCRA Metals.

- The installation of two (2) TWP's within soil borings SB-01 and SB-05 which were installed by hand. Once each borehole was cleared, the driller pushed the 1 inch PVC screen to the appropriate depth to collect a groundwater sample.
- Laboratory analysis of the groundwater samples for: (1) USEPA TCL VOCs; (2) USEPA TCL SVOCs; (3) TCL PCBs; (4) USEPA pesticides; (5) USEPA TAL metals (filtered and unfiltered); and (6) New York City Department of Environmental Protection (NYCDEP) Limitations for Effluent to Sanitary or Combined Sewers (NYCDEP Sewer Discharge Criteria).
- Soil and groundwater Quality Control/Quality Assurance (QA/QC) samples were also collected to comply with the NYCDEP CEQR protocols and submitted for analysis for the following parameters.

Soil: duplicate soil sample (one [1] in total – “SB-05-3.5-4DUP”) – TCL VOCs, SVOCs, PCBs, Pesticides, and TAL metals. The duplicate sample was collected from the same soil depth interval as one (1) of the soil samples collected in the area of a “Moderate” risk site at the groundwater interface.

Soil and Groundwater: trip blank (one [1] sample per day – “Trip Blank”) - TCL VOCs. The trip blank includes an unopened water sample prepared by the laboratory which travels with the groundwater sample bottles from the laboratory to the field and from the field to the laboratory. The trip blank sample and the groundwater jars/samples were not separated, and remained in the same coolers.

Groundwater: duplicate groundwater sample (one [1] in total – “TWP-01DUP”) - TCL VOCs, SVOCs, PCBs, Pesticides, and TAL metals.

Groundwater: equipment blank (one [1] in total – “Equipment Blank”) - TCL VOCs, SVOCs, PCBs, Pesticides, and TAL metals. As per CEQR protocol, the groundwater QA/QC sampling did not include the analysis for NYCDEP Sanitary and Combined Sewer discharge parameters.

- The preparation of this report, which includes tables summarizing the laboratory analytical results and figures depicting borings locations, significant site features and, if applicable, contamination occurrence and distribution.

2.0 CORRIDOR INFORMATION

2.1 Corridor Location, Description and Use

The project Corridor is located in the Howard Beach section of Queens, New York. The Corridor is approximately 0.65 mile (3,425-foot) long and consist of segments developed with a paved roadway, and existing infrastructure system. Utility valves, inlets, manholes, and vents are visible in the roadway and sidewalk areas throughout the Corridors, and indicate the presence of multiple buried utilities including gas, electrical, water, and sewer lines.

Property usage within the corridor consists primarily of single and multi-family residential dwellings. A marina, gas station, and New York State Department of Environmental Conservation (NYSDEC) Spill Sites are also located on the eastern and/or western shorelines of the Shellbank Basin.

A map of the Corridor area is presented as Figures 2.

2.2 Description of Surrounding Properties

The Corridor is primarily surrounded by commercial and residential properties. Commercial properties include gas stations, retail stores, and restaurants.

2.3 Corridor and Regional Topographic Setting

Based on a review of the United States Geological Survey (USGS.) 7.5-Minute Quadrangle Map, Jamaica, NY, dated 1995, the elevation of the Corridor is approximately 5 feet above mean sea level (amsl). The topography of the immediate Corridor area is generally flat. A copy of the topographic map is presented in Figure 1.

2.4 Corridor and Regional Geology

Based on the NYSDEC, Water Power and Control Commission report titled Ground Water in Bronx, New York, and Richmond Counties, with Summary Data on Kings and Queens Counties, New York City, New York, the Corridor's geology is expected to consist of Pleistocene to recent age glacial and glacial fluvial sediments (outwash) and fluvial deposits that are composed of sands and gravels, derived from melt-water of the retreating glaciers. The upper portions of the glacial and fluvial deposits have been disturbed by a long history of development activities thus resulting in a layer of fill material, which is classified as Urban Land. Urban Land refers to soils that have been altered by urban development such as buildings and streets, where at least 85 percent of the surface is covered with asphalt, concrete, or other impervious building material. Typically, these soils have been mixed with other materials, such as brick and concrete. Below the soil cover is bedrock that is at a depth of approximately 650 feet below ground (ftbg) and consists of a crystalline metamorphic rock unit composed of schist and gneiss. This bedrock is mapped as the Hartland Formation.

The subsurface soils encountered during this Phase II SCI consisted predominantly of brown to gray fine to medium sand with some clay and peat and organic material from grade to 6 to 7 ftbg. Traces of silt were also noted. Bedrock was not encountered during the Phase II SCI.

2.5 Corridor and Regional Hydrogeology

The nearest local body of water is Shellbank Basin located on the western edge of the Corridor. Regionally, Jamaica Bay is the nearest body of water which is located approximately 0.45 miles to the south of the Corridor.

Based on the Phase II SCI, groundwater was encountered within the on-site borings at depths ranging from 3.5 to 7 ftbg. Based on the proximity of Shellbank Basin and Jamaica Bay to the Corridor, groundwater flow direction is anticipated to be south to southwest. Groundwater flow direction may also vary due to seasonal fluctuations in precipitation, geology, underground structures, or dewatering operations.

According to the United States Fish and Wildlife Service, the western end of the Corridor is adjacent to the Shellbank Basin which is identified as a national wetland (E1UBL). According to the 1978 NYSDEC Tidal Wetlands Map (598-500), the Corridor is located within the tidal wetland.

Federal Emergency Management Agency Flood Insurance Rate Maps (FEMA FIRM) were accessed from the FEMA website. Map panels 3604970237F and 3604970239F (effective September 5, 2007) show that the majority of the Corridor is located in Zone X, which is defined as an area with a 0.2 percent annual chance of a flood hazard. Portions of the Corridor are also identified as Zone AE with an elevation of 8 ft amsl.

3.0 CORRIDOR EVALUATION

LiRo provided oversight for the advancement of eight (8) soil borings, the construction of two (2) TWPs, and the collection of soil and groundwater samples during the field investigation at the designated areas in the vicinity of the planned construction. The soil and groundwater samples from the borings and TWPs were transferred into laboratory supplied sample jars and properly labeled. The samples were stored with ice in a cooler to preserve the samples at 4° Celsius prior to and during shipment. A chain-of-custody was prepared prior to sample shipment. A summary of the field observations, including the location of the sites and the details of the soil borings, is provided in Table 1.

3.1 Soil Quality Investigation

Five (5) borings (SB-2, SB-03, SB-05, SB-06, and SB-08) were advanced to a terminal depth of approximately 7 ftbg while three (3) borings (SB-01, SB-04, and SB-07) were advanced to a terminal depth of approximately 6 ftbg. The borings were cleared to the terminal depths of 6 to 7 ftbg using a hand auger. Soil samples were collected using a post hole digger and/or hand auger. All re-useable sampling equipment was decontaminated using a deionized water and Alconox soap wash and then rinsed with deionized water. Soil boring locations are shown on Figure 2. The designations and sampling intervals for the samples are included in Table 1. Maps depicting each boring location are included in Appendix A. Boring logs are provided in Appendix B. The location of each boring is described below:

- **SB-01/(TWP-01)** – Advanced in the vicinity of “Moderate” risk site No. 2 and located on 95th Street, 270 feet north of 161st Avenue and 2 feet west of 95th Street.
- **SB-02** – Advanced in the vicinity of “Moderate” risk site No. 2 and located on 95th Street, 11 feet north of 161st Avenue and 2 feet west of 95th Street.
- **SB-03** – Advanced in the vicinity of “Moderate” risk site No. 3 and located on 95th Street, 181 feet south of 161st Avenue and 2 feet west of 95th Street.
- **SB-04** – Advanced in the vicinity of “Moderate” risk site No. 2 and located on 161st Avenue, 12 feet west of 96th Street and 3 feet south of 161st Avenue.
- **SB-05/(TWP-05)** – Advanced in the vicinity of “Moderate” risk site No. 1 and located on 162nd Avenue, 56 feet west of 96th Street and 3 feet south of 162nd Avenue.
- **SB-06** – Advanced in the vicinity of “Moderate” risk site No. 1 and located on 96th Street, 143 feet north of 162nd Avenue and 3 feet west of 96th Street.
- **SB-07** – Advanced in the vicinity of “Moderate” risk site No. 2 and located on 161st Avenue, 104 feet west of 97th Street and 2 feet north of 161st Avenue.
- **SB-08** – Advanced in the vicinity of “Moderate” risk site No. 1 and located on 162nd Avenue, 90 feet west of 97th Street and 2 feet north of 162nd Avenue.

Soil from each boring was classified and examined for visual evidence (i.e., staining, discoloration) and any olfactory indications (i.e., odors) of contamination. In addition, a PID was used to screen the soil for VOC vapors.

In order to identify representative conditions relative to the presence of TPHC DRO/GRO, RCRA Characteristics, and TCLP RCRA metals over the entire soil column in each boring, composite soil samples were collected by mixing the soil from the entire column in a plastic Ziploc bag. One composite sample was collected from each of the eight (8) soil borings.

To identify representative conditions relative to the presence of VOCs, SVOCs, PCBs, pesticides, and metals, grab samples were collected as follows:

- (a) if groundwater was encountered within 5 ftbg in any boring, only one (1) soil sample was collected from that boring (SB-01 and SB-03 through SB-08). If evidence of contamination was identified via visual or olfactory methods or via PID readings (which was not the case), the grab sample was collected from the suspected impacted depth interval;
- (b) if no signs of contamination was identified in shallow borings (i.e., 6 ftbg or less), the grab sample was to be collected from the bottom 6-inch interval of the boring (not applicable to this Phase II SCI).
- (c) in the deeper borings where up to two (2) samples were to be collected (i.e., SB-02 with groundwater greater than 5 ftbg), the first grab sample was collected from the 0-2 ftbg depth (surface soil);
- (d) if evidence of contamination (below 2 ftbg) was identified via visual or olfactory methods or via PID readings, the second grab sample was to be collected from the suspected impacted depth interval (not applicable to this Phase II SCI);
- (e) if no impacts are identified, but groundwater (greater than 5 ftbg) is encountered, the second grab sample was to be collected from the 6-inch interval above the water table (not applicable to this Phase II SCI); and,
- (f) if no signs of contamination were identified and groundwater was not encountered, the second grab sample was collected from the bottom 6-inch interval of the boring (SB-02).

3.2 Groundwater Quality Investigation

As groundwater may be encountered within the depths associated with the future excavation, two (2) groundwater samples were collected for screening and laboratory analysis during the soil boring activities. TWP's were installed in soil borings SB-01 and SB-05. Groundwater was encountered approximately 4 ftbg. For the installation of the TWP's, the TWP's were installed by hand. Once the borehole was cleared, the driller pushed the 1 inch PVC screen to the appropriate depth to collect a groundwater sample. The TWP's consisted of a 6- to 7-foot length section of one-inch diameter schedule 40 PVC screen and riser. A groundwater sample was collected from each TWP for screening and laboratory analysis via dedicated Teflon tubing and check valves. All tubing was new and clean and was properly disposed after use. Upon extraction, the samples were examined for visual evidence (i.e., discoloration, sheen) and any olfactory indications (i.e., odors) of contamination were noted.

A summary of the measurements taken from the TWP's is provided in Appendix B. The location of the TWP's is provided in Figure 2.

3.3 Laboratory Analyses

The soil and groundwater samples were submitted to York Analytical Laboratories, Inc. (York) of Stratford, Connecticut, a NYS Department of Health (NYSDOH) approved laboratory (No. 10854). Laboratory analytical reports are included in Appendix C.

The grab soil samples were analyzed for: (1) TCL VOCs by USEPA Method 8260B; (2) TCL SVOCs via USEPA Method 8270C; (3) PCBs via USEPA Method 3550B/8082; (4) pesticides via USEPA Method 8081; and, (5) TAL metals via USEPA 6010/7000 series Methods. The soil composite samples were analyzed for: (1) TPHC DRO/GRO via USEPA Method 8015B; (2) RCRA Characteristics via USEPA SW-846; and, (3) TCLP RCRA Metals via USEPA SW-846.

The groundwater samples were analyzed for: (1) TCL VOCs via USEPA Method 8260B; (2) SVOCs via USEPA Method 8270C; (3) PCBs via USEPA Method 3550B/8082; (4) Pesticides via USEPA Method 8081; (4) TAL metals via USEPA 6010/7000 series Methods (filtered and unfiltered); and, (5) the NYCDEP as Limitations for Effluent to Sanitary or Combined Sewers (NYCDEP Sewer Discharge Criteria).

3.4 Data Evaluation

In order to evaluate the subsurface soil sample quality, the laboratory analytical results of the grab and composite soil samples were compared with the regulatory standards identified in: (1) NYSDEC Subpart 375-6: Remedial Program Unrestricted and Restricted Use (Track 1 and Track 2) Soil Cleanup Objectives (SCOs); (2) NYSDEC CP-51 Soil Cleanup Levels (SCLs) which include Supplemental Soil Cleanup Objectives (SSCOs) to NYSDEC Subpart 375-6 and SCLs for gasoline/fuel oil contaminated soil; and/or, (3) Toxicity Characteristic Regulatory Levels for Hazardous Waste published in RCRA and 6 NYCRR Part 371.

The analytical results of the groundwater samples were compared to the NYSDEC Division of Water Technical and Operational Guidance Series (TOGS 1.1.1) Ambient Water Quality Standards and Guidance Values (AWQSGV) and Groundwater Effluent Limitations – Class GA Waters and the NYCDEP Sewer Discharge Criteria.

4.0 FINDINGS

This section discusses the analytical data and findings for the activities discussed in Section 3.0. Boring logs and well installation records can be found in Appendix B. Complete analytical data reports are included in Appendix C.

4.1 Field Screening

Field screening (i.e., PID readings and visual and olfactory observations) did not identify impacted soils within the Corridor. Refer to Table 1 for a summary of environmental boring data.

4.2 Soil and Groundwater Laboratory Analytical Results

4.2.1 Volatile Organic Compounds (VOCs) in Soil

VOCs were detected in one (1) of the eight (8) soil grab samples collected. Acetone was detected at a concentration exceeding the Unrestricted Use (Track 1) SCO in one (1) grab sample collected (SB-04-3.5-4). Acetone is a common laboratory cross contaminant and is most likely not representative of subsurface conditions. Methyl ethyl ketone/2-butanone and tetrachloroethylene were also detected but below the applicable standards. Refer to Table 2 for a summary of TCL VOC detections.

4.2.2 Semi-Volatile Organic Compounds (SVOCs) in Soil

SVOCs were not detected in the eight (8) soil grab samples collected. Refer to Table 3 for a summary of TCL SVOCs.

4.2.3 Target Analyte List (TAL) Metals in Soil

One (1) TAL metal, iron, was detected in all eight (8) soil grab soil samples collected at concentrations ranging from 3,880 milligrams per kilograms (mg/kg) to 14,500 mg/kg, all of which exceed the corresponding CP-51 SCL. No other TAL metals were detected at concentrations exceeding Unrestricted Use (Track 1) and Restricted Use (Track 2) SCOs and CP-51 SCLs. Based on the iron concentration consistency, the reported concentrations are likely attributed to background levels. Refer to Table 4 for a summary of TAL metals detections.

4.2.4 Pesticides in Soil

Pesticides were not detected in the eight (8) soil grab soil samples collected. Refer to Table 5 for a summary of pesticides.

4.2.5 Polychlorinated Biphenyls (PCBs) in Soil

PCBs were not detected in the eight (8) soil grab soil samples collected. Refer to Table 6 for a summary of PCBs.

4.2.6 Waste Characterization of Soil

Ignitability (flash point), reactivity (cyanide and sulfide), and corrosivity (pH) were within the acceptable RCRA ranges in all eight (8) composite samples collected. TCLP RCRA metals were not detected at concentrations exceeding RCRA limits in the eight (8) waste characterization soil samples collected.

TPHC-DRO were detected at concentrations ranging from 14.7 to 36.2 milligram per kilogram (mg/kg) in all eight (8) samples (SB-01-COMP through SB-08-COMP). TPHC-GRO were not detected in any of the eight (8) composite samples collected. There are no regulatory standards for TPHC-DRO and TPHC-GRO. Analytical results for waste characterization will need to be compared to levels acceptable by the chosen receiving facility prior to off-site disposal. Refer to Table 7 for a summary of TCLP parameters, RCRA Characteristics, and TPHC-DRO/GRO results.

4.2.7 Analysis of NYCDEP Parameters in Groundwater

The two (2) groundwater samples (TWP-01 and TWP-05) were analyzed for the parameters required by the NYCDEP Limitations for Effluent to Sanitary or Combined Sewers (Daily Limit). All parameters were within NYCDEP Sewer Discharge Criteria. Refer to Table 8 for a summary of selected NYCDEP parameters in groundwater.

4.2.8 Volatile Organic Compounds (VOCs) in Groundwater

One (1) VOC was detected in one (1) of the two (2) groundwater samples collected (TWP-05). Tert-butyl alcohol was detected at a concentration below the TOGS 1.1.1 AWQSGV - Class GA Waters. Refer to Table 9 for a summary of TCL VOC detections.

4.2.9 Semi-Volatile Organic Compounds (SVOCs) in Groundwater

One (1) SVOC, naphthalene, was detected in one (1) of the two (2) groundwater samples collected (TWP-05) below the TOGS 1.1.1 AWQSGV - Class GA Waters. Refer to Table 10 for a summary of TCL SVOC detections.

4.2.10 Target Analyte List (TAL) Metals in Groundwater

TAL metals were detected in both of the groundwater sample collected. Iron and sodium were reported at concentrations exceeding the TOGS 1.1.1 AWQSGVs - Class GA Waters in TWP-01 and TWP-05. Dissolved iron was reported at a concentration exceeding the TOGS 1.1.1 AWQSGV - Class GA Waters in TWP-01 while dissolved sodium was reported at concentrations exceeding the TOGS 1.1.1 AWQSGV - Class GA Waters in TWP-01 and TWP-05. Based on the iron and sodium concentration consistencies, the reported concentrations are likely attributed to background levels. Refer to Tables 11 and 12 for a summary of TAL metal and dissolved metal results.

4.2.11 Polychlorinated Biphenyls (PCBs) in Groundwater

PCBs were not detected in the two (2) groundwater samples collected. Refer to Table 13.

4.2.12 Pesticides in Groundwater

Pesticides were not detected in the two (2) groundwater samples collected. Refer to Table 14.

4.2.13 Quality Assurance/Quality Control Data

One (1) duplicate soil sample was collected from one (1) of the on-site borings (SB-05) and analyzed for VOCs, SVOCs, metals, pesticides, and PCBs. The results for the duplicate samples were consistent with those detected within the primary soil samples. Soil duplicate results are provided in Table 2 through 7.

One (1) duplicate groundwater sample was collected from TWP-01 (SB-01) and analyzed for VOCs, SVOCs, metals, pesticides, and PCBs. The results for this duplicate sample were consistent with those detected within the primary TWP-01 (SB-01) groundwater sample. Groundwater duplicate results are provided in Table 9 through 11 and 13 and 14.

One (1) groundwater equipment blank sample was collected during the subsurface investigation. Based on the analytical results of this sample, one (1) VOC (acetone) was detected below applicable standards. Seven (7) metals were also detected below applicable standards. No SVOCs, PCBs, or pesticides were detected.

No VOCs were reported within the trip blank sample submitted for analysis.

5.0 CONCLUSIONS AND RECOMMENDATIONS

This project is subject to additional review under CEQR by the NYCDEP since a portion of the proposed infrastructure work will include an outfall and be within a tidal wetland.

Based on the evaluation of the field screening data and the laboratory analytical results, and a comparison to applicable regulatory standards, the following conclusions are presented:

- Field screening (i.e., PID readings and visual and olfactory observations) did not identify any petroleum-impacted soils within the Corridor;
- Laboratory analytical results identified TPHC-DRO-impacted soils throughout the Corridor. The presence of elevated concentrations of TPHC-DRO in subsurface soils is potentially attributed to contaminants in historic fill material placed on the Corridor;
- Laboratory analytical results did not identify petroleum-impacted groundwater within the Corridor;
- The subsurface soil samples collected from the Corridor did not exhibit hazardous waste characteristics; and,
- The groundwater at the Corridor meets the NYCDEP Sewer Discharge Criteria for sanitary and combined sewers.

Based on the results of the field investigation and laboratory analytical results, LiRo recommends the following:


- The Contract documents should identify provisions and a contingency for managing, handling, transporting and disposing of non-hazardous, contaminated soil. The Contractor should be required to submit a Material Handling Plan, to identify the specific protocol and procedures that will be employed to manage the waste in accordance with applicable regulations;
- Due to the presence of TPHC DRO in subsurface soil in the investigated sites, dust control procedures are recommended during excavation activities to minimize the creation and dispersion of fugitive airborne dust. The Contractor may implement dust control measures to minimize potential of migrating fugitive airborne contaminants released as a direct result of construction activities;
- Based on the results of laboratory analyses for NYCDEP sewer discharge criteria, groundwater does not require pre-treatment prior to discharge to sanitary or combined sewers; however, the contractor may be required to obtain a NYCDEP sewer discharge permit if dewatering is necessary;
- If discharge into storm sewers is required during dewatering, it may be done under the appropriate NYSDEC State Pollutant Discharge Elimination System (SPDES) permit. Additional sampling and laboratory analysis may be required to satisfy NYSDEC requirements prior to discharge into storm sewers; and,
- Before beginning any excavation activity, the contractor shall submit a Corridor-specific health and safety plan (HASP) that will meet the requirements set forth by the Occupational, Safety and Health

Administration (OSHA), the New York State Department of Health (NYSDOH) and any other applicable regulations. The HASP should identify the possible locations and risks associated with the potential contaminants that may be encountered, and the administrative and engineering controls that will be utilized to mitigate concerns.

6.0 STATEMENT OF LIMITATIONS

The data presented and the opinions expressed in this report are qualified as stated in the attachment to this section of the report.

Report Prepared By:



Amy Hewson
Senior Environmental Analyst

Report Reviewed By:



Stephen Frank
Senior Geologist

Report Reviewed By:



Robert Kreuzer
Project Manager

STATEMENT OF LIMITATIONS

The data presented and the opinions expressed in this report are qualified as follows:

The sole purpose of the investigation and of this report is to assess the physical characteristics of the Corridor with respect to the presence or absence in the environment of oil or hazardous materials and substances as defined in the applicable state and federal environmental laws and regulations and to gather information regarding current and past environmental conditions at the Corridor.

LiRo derived the data in this report primarily from visual inspections, examination of records in the public domain, interviews with individuals with information about the Corridor, and a limited number of subsurface explorations made on the dates indicated. The passage of time, manifestation of latent conditions or occurrence of future events may require further exploration at the Corridor, analysis of the data, and reevaluation of the findings, observations, and conclusions expressed in the report.

In preparing this report, LiRo has relied upon and presumed accurate certain information (or the absence thereof) about the Corridor and adjacent properties provided by governmental officials and agencies, the Client, and others identified herein. Except as otherwise stated in the report, LiRo has not attempted to verify the accuracy or completeness of any such information.

The data reported and the findings, observations, and conclusions expressed in the report are limited by the Scope of Services, including the extent of subsurface exploration and other tests. The Scope of Services was defined by the requests of the Client, the time and budgetary constraints imposed by the Client, and the availability of access to the Corridor.

Because of the limitations stated above, the findings, observations, and conclusions expressed by LiRo in this report are not, and should not be considered, an opinion concerning the compliance of any past or present owner or operator of the Corridor with any federal, state or local law or regulation. No warranty or guarantee, whether express or implied, is made with respect to the data reported or findings, observations, and conclusions expressed in this report. Further, such data, findings, observations, and conclusions are based solely upon Corridor conditions in existence at the time of investigation.

This report has been prepared on behalf of and for the exclusive use of the Client, and is subject to and issued in connection with the Agreement and the provisions thereof.

TABLES

- Table 1 - Summary of Environmental Boring Data**
- Table 2 - Summary of TCL VOCs Detected in Soil**
- Table 3 - Summary of SVOCs Detected in Soil**
- Table 4 - Summary of TAL Metals Detected in Soil**
- Table 5 - Summary of Pesticides Detected in Soil**
- Table 6 - Summary of PCBs Detected in Soil**
- Table 7 - Summary of Waste Characteristics Detected in Soil**
- Table 8 – Summary of Groundwater Quality**
- Table 9 - Summary of TCL VOCs Detected in Groundwater**
- Table 10 - Summary of TCL SVOCs Detected in Groundwater**
- Table 11 - Summary of TAL Metals Detected in Groundwater**
- Table 12 - Summary of TAL Metals (Dissolved) Detected in Groundwater**
- Table 13 - Summary of Pesticides Detected in Groundwater**
- Table 14 - Summary of PCBs Detected in Groundwater**

Table 1. Summary of Environmental Boring Data

Boring No.	Sample ID	PID (ppm)	Sample Interval (ft/bg)	Total VOCs (ug/kg)	Total SVOCs (ug/kg)	Metal Exceedances (Y / N)	Total Pesticides (ug/kg)	Total PCBs (ug/kg)	TCLP Metals/Waste Exceedances (Y / N)	Depth to Water (ft/bg)	Total Depth (ft/bg)	Other Comments
SB-01	SB-01-3.5-4	<1	3.5-4	ND	ND	Yes	ND	ND	NA	4	6	No PID readings or visual or olfactory evidence of impacts were detected.
	SB-01-COMP		Composite	NA	NA	NA	NA	NA	ND			
SB-02	SB-02-0-2		0-2	ND	ND	Yes	ND	ND	NA	7	7	No PID readings or visual or olfactory evidence of impacts were detected.
	SB-02-6.5-7	<1	6.5-7	ND	ND	Yes	ND	ND	NA			
SB-03	SB-02-COMP		Composite	NA	NA	NA	NA	NA	ND			
	SB-03-3-3.5	<1	3-3.5	ND	ND	Yes	ND	ND	NA	3.5	7	No PID readings or visual or olfactory evidence of impacts were detected.
SB-04	SB-03-COMP		Composite	NA	NA	NA	NA	NA	ND	4	6	No PID readings or visual or olfactory evidence of impacts were detected.
	SB-04-3.5-4	<1	3.5-4	134	ND	Yes	ND	ND	NA			
SB-05	SB-04-COMP		Composite	NA	NA	NA	NA	NA	ND			
	SB-05-3.5-4	<1	3.5-4	ND	ND	Yes	ND	ND	NA	4	7	No PID readings or visual or olfactory evidence of impacts were detected.
SB-06	SB-05-COMP		Composite	NA	NA	NA	NA	NA	ND			
	SB-06-3.5-4	<1	3.5-4	ND	ND	Yes	ND	ND	NA	4	7	No PID readings or visual or olfactory evidence of impacts were detected.
SB-07	SB-06-COMP		Composite	NA	NA	NA	NA	NA	ND	5	6	No PID readings or visual or olfactory evidence of impacts were detected.
	SB-07-4.5-5	<1	4.5-5	ND	ND	Yes	ND	ND	NA			
SB-08	SB-07-COMP		Composite	NA	NA	NA	NA	NA	ND			
	SB-08-3-3.5	<1	3-3.5	ND	ND	Yes	ND	ND	NA	3.5	7	No PID readings or visual or olfactory evidence of impacts were detected.
	SB-08-COMP		Composite	NA	NA	NA	NA	NA	ND			

Notes:

1. Metal(s) exceeds CP-51 SCLs/SSCOs, Unrestricted Use (Track 1) SCO, and/or Restricted Residential Use (Track 2) SCO. Soil samples were analyzed for Target Compound List (TCL) Volatile Organic Compounds (VOCs), TCL Semi-Volatile Organic Compounds (SVOCs), Polycyclic Aromatic Hydrocarbons (PAHs), PCBs, Total Petroleum Hydrocarbon (TPHC) Diesel Range Organics/Gasoline Range Organics (TPHC DRO/GRO), Resource Conservation and Recovery Act (RCRA) Characteristics, and/or Toxicity Characteristic Leaching Procedure (TCLP) RCRA Metals.

NA = Not Analyzed/Not Applicable
ND = Non detect
ft/bg = feet below grade surface
ppm = parts per million
mg/kg = milligram per kilogram
ug/kg = microgram per kilogram

Table 2. Summary of Target Compound List (TCL)
Volatile Organic Compounds (VOCs) Detected in Soil

TCL VOC	Part 375-6.8 (a) Unrestricted Use (Track 1) Soil Cleanup Objectives (SCOs)	Part 375-6.8 (b) Restricted Use (Track 2) Residential Soil Cleanup Objectives (SCOs)	CP-51 Soil Cleanup Levels (SCLs) / Supplemental Soil Cleanup Objectives (SSCOs) - Residential	Sample ID, Date Collect, and Depth (ftbg)									
				SB-01-3.5-4 10/21/2016	SB-02-0-2 10/20/2016	SB-02-6.5-7 10/20/2016	SB-03-3.3.5 10/20/2016	SB-03-3.3.5 3-3.5	SB-04-3.5-4 10/20/2016	SB-05-3.5-4 10/21/2016			
				3.5-4	0-2	6.5-7	3-3.5	3.5-4	3.5-4				
Acetone	50	100,000	NS	ND	ND	ND	ND	ND	ND	ND	ND	ND	ND
Methyl ethyl ketone/2-butanone	120	100,000	NS	ND	ND	ND	ND	ND	ND	ND	ND	ND	ND
Tetrachloroethylene	NS	NS	NS	ND	ND	ND	ND	ND	ND	ND	ND	ND	ND
Total VOCs	NS	NS	NS	ND	ND	ND	ND	ND	ND	ND	ND	ND	ND

Notes:

All concentrations are reported in parts per billion (ppb or ug/kg)
ftbg = feet below grade surface
NS = No Standard
ND = Compound not detected above method detection limit (see attached lab report for md's)
J = Compound detected below the quantitation limit
SCOs = Soil Cleanup Objectives as per the NYSDEC Regulations 6 NYCRR Subpart 375-6 Remedial Program
Soil Cleanup Objectives (December 14, 2009).
CP-51 SCLs = New York State Department of Environmental Conservation (NYSDEC) CP-51 – Soil Cleanup
Guidance (CP-51) (October 21, 2010).

BOLD = Concentration exceeds NYSDEC CP-51 SCLs Table 1 - Supplemental Soil Cleanup Objectives (Residential), Table 2 - Soil Cleanup Levels for Gasoline Contaminated Soils, Table 3 - Soil Cleanup Levels for Fuel oil Contaminated Soil
Shading = Concentration exceeds Unrestricted Use (Track 1) Soil Cleanup Objectives
Italicized = Concentration exceeds Restricted Use (Track 2) Residential Soil Cleanup Objectives

Table 2. Summary of Target Compound List (TCL)
Volatile Organic Compounds (VOCs) Detected in Soil

TCL VOC	Part 375-6.8 (a) Unrestricted Use (Track 1) Soil Cleanup Objectives (SCOs)	Part 375-6.8 (b) Restricted Use (Track 2) Residential Soil Cleanup Objectives (SCOs)	CP-51 Soil Cleanup Levels (SCLs) / Supplemental Soil Cleanup Objectives (SSCOs) - Residential	Sample ID, Date Collect, and Depth (ft/bg)					
				SB-05-3.5-4DUP	SB-06-3.5-4	SB-07-4.5-5	SB-08-3.5-5	Trip Blank	
				10/21/2016	10/20/2016	10/20/2016	10/20/2016	10/21/2016	
Acetone	50	100,000	NS	3.5-4	3-3.5	4.5-5	3-3.5	NA	NA
Methyl ethyl ketone/2-butanone	120	100,000	NS	ND	ND	ND	ND	ND	ND
Tetrachloroethylene	NS	NS	NS	ND	ND	ND	ND	ND	ND
Total VOCs	NS	NS	NS	ND	ND	ND	ND	ND	ND

Notes:

All concentrations are reported in parts per billion (ppb or ug/kg)
ftbg = feet below grade surface
NS = No Standard
ND = Compound not detected above method detection limit (see attached lab report for mdl's)
J = Compound detected below the quantitation limit
SCOs = Soil Cleanup Objectives as per the NYSDEC Regulations 6 NYCRR Subpart 375-6 Remedial Program
Soil Cleanup Objectives (December 14, 2006).
CP-51 SCLs = New York State Department of Environmental Conservation (NYSDEC) CP-51 – Soil Cleanup
Guidance (CP-51) (October 21, 2010).

**BOLD = Concentration exceeds NYSDEC CP-51 SCLs Table 1 - Supplemental Soil Cleanup Objectives
(Residential), Table 2 - Soil Cleanup Levels for Gasoline Contaminated Soils, Table 3 - Soil Cleanup
Levels for Fuel oil Contaminated Soil**

*Shading = Concentration exceeds Unrestricted Use (Track 1) Soil Cleanup Objectives
/italicized = Concentration exceeds Restricted Use (Track 2) Residential Soil Cleanup Objectives*

Table 3. Summary of Target Compound List (TCL)
Semi-Volatile Organic Compounds (SVOCs) Detected in Soil

TCL SVOC	Part 375-6.8 (a) Unrestricted Use (Track 1) Soil Cleanup Objectives (SCOs)	Part 375-6.8 (b) Restricted Use (Track 2) Residential Soil Cleanup Objectives (SCOs)	CP-51 Soil Cleanup Levels (SCLs)	Sample ID, Date Collect, and Depth (ft/bg)												
				SB-01-3.5-4 10/21/2016 3.5-4	SB-02-0-2 10/20/2016 0-2	SB-02-6.5-7 10/20/2016 6.5-7	SB-03-3-3.5 10/20/2016 3-3.5	SB-04-3.5-4 10/20/2016 3.5-4	SB-05-3.5-4 10/21/2016 3.5-4	SB-05-3.5-4DUP 10/21/2016 3.5-4	SB-06-3.5-4 10/20/2016 3.5-4	ND	ND	ND		
Total SVOCs	NS	NS	NS	ND	ND	ND	ND	ND	ND	ND	ND	ND	ND	ND	ND	ND

Notes:

All concentrations are reported in parts per billion (ppb or ug/kg)

ftbg = feet below grade surface

ND = Compound not detected above method detection limit (see attached lab report for md/s)

NS = No Standard

SCOs = Soil Cleanup Objectives as per the NYSDEC Regulations 6 NYCRR Subpart 375-6 Remedial

Program Soil Cleanup Objectives (December 14, 2006).

CP-51 Soil Cleanup Levels (SCLs) = New York State Department of Environmental Conservation

(NYSDEC) CP-51 – Soil Cleanup Guidance (CP-51) (October 21, 2010).

BOLD = Concentration exceeds NYSDEC CP-51 SCLs Table 1 - Supplemental Soil Cleanup Objectives (Residential), Table 2 - SCLs for Gasoline Contaminated Soils, Table 3 - SCLs for Fuel oil Contaminated Soil

Shading = Concentration exceeds Unrestricted Use (Track 1) Soil Cleanup Objectives

Italicized = Concentration exceeds Restricted Use (Track 2) Residential Soil Cleanup Objectives

Table 3. Summary of Target Compound List (TCL)
Semi-Volatile Organic Compounds (SVOCs) Detected in Soil

TCL SVOC	Part 375-6.8 (a) Unrestricted Use (Track 1) Soil Cleanup Objectives (SCOs)	Part 375-6.8 (b) Restricted Use (Track 2) Residential Soil Cleanup Objectives (SCOs)	CP-51 Soil Cleanup Levels (SCLs)	Sample ID, Date Collect, and Depth (ft/bg)	
				SB-07-4.5-5 10/20/2016	SB-08-3-3.5 10/20/2016
Total SVOCs	NS	NS	NS	4.5-5	3-3.5
				ND	ND

Notes:

All concentrations are reported in parts per billion (ppb or ug/kg)
ft/bg = feet below grade surface
ND = Compound not detected above method detection limit (see attached lab report for mdl's)
NS = No Standard
SCOs = Soil Cleanup Objectives as per the NYSDEC Regulations 6 NYCRR Subpart 375-6 Remedial Program Soil Cleanup Objectives (December 14, 2006).
CP-51 Soil Cleanup Levels (SCLs) = New York State Department of Environmental Conservation (NYSDEC) CP-51 – Soil Cleanup Guidance (CP-51) (October 21, 2010).

BOLD = Concentration exceeds NYSDEC CP-51 SCLs Table 1 - Supplemental Soil Cleanup Objectives (Residential), Table 2 - SCLs for Gasoline Contaminated Soils, Table 3 - SCLs for Fuel oil Contaminated Soil

Shading = Concentration exceeds Unrestricted Use (Track 1) Soil Cleanup Objectives

Italicized = Concentration exceeds Restricted Use (Track 2) Residential Soil Cleanup Objectives

Table 4. Summary of Target Analyte List (TAL) Metals Detected in Soil

Target Analyte List Metal	Part 375-6.8 (a) Unrestricted Use (Track 1) Soil Cleanup Objectives (SCOs)	Part 375-6.8 (b) Restricted Use (Track 2) Residential Soil Cleanup Objectives (SCOs)	CP-51 Soil Cleanup Levels (SCLs)	Sample ID, Date Collected, and Depth (ftbg)											
				SB-01-3.5-4		SB-02-6.5-7		SB-03-3.3-5		SB-04-3.5-4		SB-05-3.5-4		SB-05-3.5-4DUP	
				10/21/2016	3.5-4	10/20/2016	6.5-7	10/20/2016	3-3.5	10/20/2016	3.5-4	10/21/2016	3.5-4	10/21/2016	3.5-4
Aluminum	NS	NS	NS	2,170	2,370	6,620	2,010	7,490	2,210	2,210	2,040				
Arsenic	13	16	NS	1.67	1.57	1.87	1.18	11	5.53	3.67					
Barium	350	350	NS	7.61	11.4	9.24	5.74	31.7	9	6.81					
Beryllium	7.2	14	NS	ND	ND	ND	0.134	ND	ND	ND					
Calcium	NS	NS	NS	565	569	431	371	1,330	533	532					
Chromium (total)	30	36	NS	5.28	5.45	15.6	3.94	22.5	4.65	5.42					
Cobalt	NS	NS	NS	2.51	2.13	5.33	1.72	5.37	2.89	2.95					
Copper	50	270	NS	5.59	6.32	10.3	5.98	10.6	5.04	4.88					
Iron	NS	NS	2,000	4,450	4,330	12,900	3,880	14,500	4,670	4,610					
Lead	63	400	NS	1.53	3.55	3.48	1.28	23.5	1.68	1.95					
Magnesium	NS	NS	NS	905	956	1,410	910	2,620	1,010	1,000					
Manganese	1,600	2,000	NS	40.4	35.3	97.4	29.4	70.5	40.2	38					
Nickel	30	140	NS	6.58	7.27	13.5	6.16	14.1	8.13	7.64					
Potassium	NS	NS	NS	368	536	304	271	1,600	431	428					
Sodium	NS	NS	NS	154	139	168	166	657	172	159					
Vanadium	NS	NS	100	7.99	8.37	20	6.55	35.2	7.95	7.91					
Zinc	109	2,200	NS	13.3	13.8	21.4	17.3	25.4	14.3	13.7					

Notes:

All concentrations are in parts per million (ppm or mg/kg)

ftbg = feet below grade surface

ND = Compound not detected above method detection limit (see attached lab report for md/l's)

NS = No Standard

SCOs = Soil Cleanup Objectives as per the NYSDEC Regulations 6 NYCRR Subpart 375-6

Remedial Program Soil Cleanup Objectives (December 14, 2006).

CP-51 Soil Cleanup Levels (SCLs) = New York State Department of Environmental Conservation

(NYSDEC) CP-51 – Soil Cleanup Guidance (CP-51) (October 21, 2010).

BOLD = Concentration exceeds NYSDEC CP-51 SCLs Table 1 - Supplemental Soil Cleanup

Objectives (Residential), Table 2 - SCLs for Gasoline Contaminated Soils, Table 3 - SCLs

for Fuel oil Contaminated Soil

Shading = Concentration exceeds Unrestricted Use (Track 1) Soil Cleanup Objectives

italicized = Concentration exceeds Restricted Use (Track 2) Residential Soil Cleanup Objectives

Table 4. Summary of Target Analyte List (TAL) Metals Detected in Soil

Target Analyte List Metal	Part 375-6.8 (a) Unrestricted Use (Track 1) Soil Cleanup Objectives (SCOs)		Part 375-6.8 (b) Restricted Use (Track 2) Residential Soil Cleanup Objectives (SCOs)		Sample ID, Date Collected, and Depth (ftbg)					
	Soil Cleanup Objectives (SCOs)		Residential Soil Cleanup Objectives (SCOs)		CP-51 Soil Cleanup Levels (SCLs)		SB-06-3.5-4 10/20/2016		SB-08-3-3.5 10/20/2016	
	NS	13	NS	16	NS	NS	3.5-4	4.5-5	3-3.5	4.670
Aluminum	NS	13	NS	16	NS	NS	2,070	2,170	4,670	2,54
Arsenic	13	13	NS	16	NS	NS	2,05	1,68	2,54	21
Barium	350	350	NS	350	NS	NS	10	8,91	21	21
Beryllium	7.2	7.2	NS	14	NS	NS	ND	ND	ND	ND
Calcium	NS	NS	NS	NS	NS	NS	1,110	1,110	690	690
Chromium (total)	30	30	NS	36	NS	NS	6,05	6,08	11	11
Cobalt	NS	NS	NS	NS	NS	NS	2,68	2,81	4,08	4,08
Copper	50	50	NS	270	NS	NS	7,49	5,23	11,5	11,5
Iron	NS	NS	NS	NS	NS	NS	5,370	6,670	7,140	7,140
Lead	63	63	NS	400	NS	NS	7,47	2,56	2,62	2,62
Magnesium	NS	NS	NS	NS	NS	NS	1,050	960	1,940	1,940
Manganese	1,600	1,600	NS	2,000	NS	NS	61.1	58.7	63	63
Nickel	30	30	NS	140	NS	NS	7,25	7,21	11,8	11,8
Potassium	NS	NS	NS	NS	NS	NS	409	465	1,120	1,120
Sodium	NS	NS	NS	NS	NS	NS	165	159	181	181
Vanadium	NS	NS	NS	NS	NS	NS	9.2	8.84	13.6	13.6
Zinc	108	108	NS	2,200	NS	NS	64.6	12.1	28.4	28.4

Notes:

All concentrations are in parts per million (ppm or mg/kg)
 ftbg = feet below grade surface

ND = Compound not detected above method detection limit (see attached lab report for md/s)

NS = No Standard

SCOs = Soil Cleanup Objectives as per the NYSDEC Regulations 6 NYCRR Subpart 375-6

Remedial Program Soil Cleanup Objectives (December 14, 2006).

CP-51 Soil Cleanup Levels (SCLs) = New York State Department of Environmental Conservation

(NYSDEC) CP-51 – Soil Cleanup Guidance (CP-51) (October 21, 2010).

BOLD = Concentration exceeds NYSDEC CP-51 SCLs Table 1 - Supplemental Soil Cleanup Objectives (Residential), Table 2 - SCLs for Gasoline Contaminated Soils, Table 3 - SCLs for Fuel oil Contaminated Soil

Shading = Concentration exceeds Unrestricted Use (Track 1) Soil Cleanup Objectives

Italicized = Concentration exceeds Restricted Use (Track 2) Residential Soil Cleanup Objectives

Table 5. Summary of Pesticides Detected in Soil

Pesticides	Part 375-6.8 (a) Unrestricted Use (Track 1) Soil Cleanup Objectives (SCOs)	Part 375-6.8 (b) Restricted Use (Track 2) Residential Soil Cleanup Objectives (SCOs)	CP-51 Soil Cleanup Levels (SCLs)	Sample ID, Date Collected, and Depth (ft/bg)					
				SB-01-3.5-4 10/21/2016 3.5-4	SB-02-0-2 10/20/2016 0-2	SB-02-6.5-7 10/20/2016 6.5-7	SB-03-3-3.5 10/20/2016 3-3.5	SB-04-3.5-4 10/20/2016 3.5-4	SB-05-3.5-4 10/21/2016 3.5-4
Total Pesticides	NS	NS	NS	ND	ND	ND	ND	ND	ND

Notes:

All concentrations are reported in parts per billion (ppb or ug/kg)

ft/bg = feet below grade surface

ND = Compound not detected above method detection limit (see attached lab report for mdl's)

NS = No Standard

SCOs = Soil Cleanup Objectives as per the NYSDEC Regulations 6 NYCRR Subpart 375-6 Remedial Program

Soil Cleanup Objectives (December 14, 2006).

CP-51 Soil Cleanup Levels (SCLs) = New York State Department of Environmental Conservation (NYSDEC) CP-

51 – Soil Cleanup Guidance (CP-51) (October 21, 2010).

BOLD = Concentration exceeds NYSDEC CP-51 SCLs Table 1 - Supplemental Soil Cleanup Objectives (Residential), Table 2 - SCLs for Gasoline Contaminated Soils, Table 3 - SCLs for Fuel oil Contaminated Soil

Shading = Concentration exceeds Unrestricted Use (Track 1) Soil Cleanup Objectives

Italicized = Concentration exceeds Restricted Use (Track 2) Residential Soil Cleanup Objectives

Table 5. Summary of Pesticides Detected in Soil

Pesticides	Part 375-6.8 (a) Unrestricted Use (Track 1) Soil Cleanup Objectives (SCOs)	Part 375-6.8 (b) Restricted Use (Track 2) Residential Soil Cleanup Objectives (SCOs)	CP-51 Soil Cleanup Levels (SCLs)	Sample ID, Date Collected, and Depth (ftbg)			
				SB-06-3.5-4 10/20/2016	SB-06-3.5-4 10/20/2016	SB-07-4.5-5 10/20/2016	SB-08-3-3.5 10/20/2016
Total Pesticides	NS	NS	NS	3.5-4 ND	3.5-4 ND	4.5-5 ND	3-3.5 ND

Notes:

All concentrations are reported in parts per billion (ppb or ug/kg)

ftbg = feet below grade surface

ND = Compound not detected above method detection limit (see attached lab report for mdls)

NS = No Standard

SCOs = Soil Cleanup Objectives as per the NYSDEC Regulations 6 NYCRR Subpart 375-6 Remedial Program

Soil Cleanup Objectives (December 14, 2006).

CP-51 Soil Cleanup Levels (SCLs) = New York State Department of Environmental Conservation (NYSDEC) CP-

51 - Soil Cleanup Guidance (CP-51) (October 21, 2010).

BOLD = Concentration exceeds NYSDEC CP-51 SCLs Table 1 - Supplemental Soil Cleanup Objectives (Residential), Table 2 - SCLs for Gasoline Contaminated Soils, Table 3 - SCLs for Fuel oil Contaminated Soil

Shading = Concentration exceeds Unrestricted Use (Track 1) Soil Cleanup Objectives

Italicized = Concentration exceeds Restricted Use (Track 2) Residential Soil Cleanup Objectives

Table 6. Summary of Polychlorinated Biphenyls (PCBs)
Detected in Soil

PCBs	Part 375-6.8 (a) Unrestricted Use (Track 1) Soil Cleanup Objectives (SCOs)	Part 375-6.8 (b) Restricted Use (Track 2) Residential Soil Cleanup Objectives (SCOs)	CP-51 Soil Cleanup Levels (SCLs) / Supplemental Soil Cleanup Objectives (SSCOs) - Residential	Sample ID, Date Collect, and Depth (ftbg)												
				SB-01-3.5-4 10/21/2016 3.5-4	SB-02-0-2 10/20/2016 0-2	SB-02-6.5-7 10/20/2016 6.5-7	SB-03-3.3-5 10/20/2016 3-3.5	SB-04-3.5-4 10/20/2016 3.5-4	SB-05-3.5-4 10/21/2016 3.5-4	SB-05-3.5-4 10/21/2016 3.5-4	SB-05-3.5-4 10/21/2016 3.5-4	SB-06-3.5-4 10/20/2016 3.5-4	SB-06-3.5-4 10/20/2016 3.5-4			
Total PCBs	100	1,000	NS	ND	ND	ND	ND	ND	ND	ND	ND	ND	ND	ND	ND	ND

Notes:

All concentrations are reported in parts per billion (ppb or ug/kg)
ftbg = feet below grade surface

ND = Compound not detected above method detection limit (see attached lab report for mdl's)

NS = No Standard

SCOs = Soil Cleanup Objectives as per the NYSDEC Regulations 6 NYCRR Subpart 375-6

Remedial Program Soil Cleanup Objectives (December 14, 2006).

CP-51 SCLs = New York State Department of Environmental Conservation (NYSDEC) CP-51 – Soil Cleanup Guidance (CP-51) (October 21, 2010).

BOLD = Concentration exceeds NYSDEC CP-51 SCLs Table 1 - Supplemental Soil Cleanup Objectives (Residential), Table 2 - Soil Cleanup Levels for Gasoline Contaminated Soils, Table 3 - Soil Cleanup Levels for Fuel oil Contaminated Soil

Shading = Concentration exceeds Unrestricted Use (Track 1) Soil Cleanup Objectives

Italicized = Concentration exceeds Restricted Use (Track 2) Residential Soil Cleanup Objectives

Table 6. Summary of Polychlorinated Biphenyls (PCBs) Detected in Soil

PCBs	Part 375-6.8 (a) Unrestricted Use (Track 1) Soil Cleanup Objectives (SCOs)	Part 375-6.8 (b) Restricted Use (Track 2) Residential Soil Cleanup Objectives (SCOs)	CP-51 Soil Cleanup Levels (SCLs) / Supplemental Soil Cleanup Objectives (SSCOs) - Residential	Sample ID, Date Collect, and Depth (ftbg)								
	Total PCBs	100	1,000	NS	<table border="1"> <tr> <td>SB-07-4.5-5</td> <td>10/20/2016</td> <td>4.5-5</td> <td>ND</td> </tr> <tr> <td>SB-08-3-3.5</td> <td>10/20/2016</td> <td>3-3.5</td> <td>ND</td> </tr> </table>	SB-07-4.5-5	10/20/2016	4.5-5	ND	SB-08-3-3.5	10/20/2016	3-3.5
SB-07-4.5-5	10/20/2016	4.5-5	ND									
SB-08-3-3.5	10/20/2016	3-3.5	ND									

Notes:

All concentrations are reported in parts per billion (ppb or ug/kg) ftbg = feet below grade surface

ND = Compound not detected above method detection limit (see attached lab report for mdl's)

NS = No Standard

SCOs = Soil Cleanup Objectives as per the NYSDEC Regulations 6 NYCRR Subpart 375-6 Remedial Program Soil Cleanup Objectives (December 14, 2006).

CP-51 SCLs = New York State Department of Environmental Conservation (NYSDEC) CP-51 – Soil Cleanup Guidance (CP-51) (October 21, 2010).

BOLD = Concentration exceeds NYSDEC CP-51 SCLs Table 1 - Supplemental Soil Cleanup Objectives (Residential), Table 2 - Soil Cleanup Levels for Gasoline Contaminated Soils, Table 3 - Soil Cleanup Levels for Fuel oil Contaminated Soil

Shading = Concentration exceeds Unrestricted Use (Track 1) Soil Cleanup Objectives

italicized = Concentration exceeds Restricted Use (Track 2) Residential Soil Cleanup Objectives

Table 7. Summary of Waste Characterization in Soil

Parameter	6 NYCRR Part 371 and RCRA	Sample ID, Date Collect											
		SB-01-COMP	SB-02-COMP	SB-03-COMP	SB-04-COMP	SB-05-COMP	SB-06-COMP	SB-07-COMP	SB-08-COMP	Composite	Composite	Composite	Composite
		10/21/2016	10/20/2016	10/20/2016	10/20/2016	10/21/2016	10/20/2016	10/20/2016	10/20/2016	Composite	Composite	Composite	Composite
METALS¹													
Arsenic	ug/L	ND	ND	ND	ND	ND	ND	ND	ND	ND	ND	ND	5
Barium	5,000	105	158	119	107	138	121	102	123				
Chromium	100,000	ND	6	ND	ND	ND	ND	ND	9				
Lead	5,000	18	7	8	ND	ND	5	9	10				
Selenium	1,000	ND	12	ND	ND	ND	ND	ND	ND				
MISC. PARAMETERS (units)													
pH (SU)	2-12.5	6.21	6.27	6.82	6.84	7.16	6.94	6.87	8				
Ignitability	>140 °F	No	No	No	No	No	No	No	No				
TPHC Diesel Range Organics (mg/kg)	NS	22.2	32	34.3	18.2	24.4	19.7	36.2	14.7				

Notes:

- ftbg = feet below grade surface
- NS = No Standard
- ND = Compound not detected above method detection limit (see attached lab report for mdl's)
- SU = Standard unit
- mg/L = milligram per liter
- mg/Kg = milligram per kilogram
- ug/L = microgram per liter
- ug/Kg = microgram per kilogram
- *F = Degrees Fahrenheit
- ¹ = TCLP RCRA Metals

Shading = Concentration exceeds 6 NYCRR Part 371 and RCRA Toxicity Characteristic Regulatory Levels for Hazardous Waste.

Table 8. Summary of Groundwater Quality

Parameter ¹	NYCDEP Limitations to Sanitary or Combined Sewers		Sample ID & Date Collect	
		mg/L	TWP-01	TWP-05
			10/21/2016	10/21/2016
Chloride ⁴	NS	mg/L	384	256
Flash Point - Liquid/Solid	> 140	°F	200	200
Nitrate+Nitrite	NS	mg/L	ND	0.0157
pH	5-12	pH	6.22	6.72
TKN	NS	mg/L	3.02	2.44
Total Nitrogen ⁴	NS	mg/L	3.02	2.46
Total Solids ⁴	NS	mg/L	1,650	850
Total Suspended Solids (TSS) ³	350	mg/L	54	30.4
Copper	5	mg/L	0.0153	0.0176
Nickel	3	mg/L	0.0141	0.0126
Zinc	5	mg/L	0.0338	0.0366

Notes:
 NS = No Standard/Not Sampled
 ND = Compound not detected above method detection limit (see attached lab report for md/ls)
 mg/L = milligram per liter

Shaded = Concentration exceeds NYCDEP Limitations for Effluent to Sanitary or Combined Sewers (daily limit).
Italicized = Concentration exceeds NYS Ambient Water Quality Standards/Guidance Values

¹ All handling and preservation of collected samples and laboratory analyses of samples was performed in accordance with 40 CFR Part 136.
² Analysis for non-polar materials was performed by USEPA method 1664.
³ For discharge >= 10,000 gallons per day (gpd), the TSS limit is 350 mg/l. For discharge < 10,000 gpd, the limit is determined on a case by case basis.
⁴ Analysis for Carbonaceous Biochemical Oxygen Demand (CBOD), Chloride, Total Solids, and Total Nitrogen are required if proposed discharge >= 10,000 gpd.

Table 9. Summary of Target Compound List (TCL) Volatile Organic Compounds (VOCs) Detected in Groundwater

TCL VOC ¹	NYCDEP Limitations to Sanitary or Combined Sewers	NYS Ambient Water Quality Standards/Guidance Values	Sample ID & Date Collect				
			TWP-01	TWP-01DUP	TWP-05	Equipment Blank	
			10/21/2016	10/21/2016	10/21/2016	10/21/2016	
Acetone	NS	50	ND	ND	ND	1.3 J	
Tert-Butyl Alcohol	NS	NS	ND	ND	1.1 J	ND	
Total VOCs	NS	NS	ND	ND	1	1	

Notes:

All concentrations are reported in parts per billion (ppb or ug/L)
 NYS Ambient Water Quality Standards/Guidance Values for Class GA Waterbody
 NS = No Standard/Not Sampled
 ND = Compound not detected above method detection limit (see attached lab report for md/s)
 J = Compound detected below the quantitation limit

Shaded = Concentration exceeds NYCDEP Limitations for Effluent to Sanitary or Combined Sewers (daily limit)
Bold = Concentration exceeds NYS Ambient Water Quality Standards/Guidance Values - Class GA Waters

¹ All handling and preservation of collected samples and laboratory analyses of samples was performed in accordance with 40 CFR Part 136.

Table 10. Summary of Target Compound List (TCL) Semi-Volatile Organic Compounds (SVOCs) Detected in Groundwater

TCL SVOC ¹	NYCDEP Limitations to Sanitary or Combined Sewers	NYS Ambient Water Quality Standards/Guidance Values	Sample ID & Date Collect			
			TWP-01 10/21/2016	TWP-01DUP 10/21/2016	TWP-05 10/21/2016	Equipment Blank 10/21/2016
Naphthalene	NS	10	ND	ND	0.0526	ND
Total SVOCs	NS	NS	ND	ND	<1	ND

Notes:

All concentrations are reported in parts per billion (ppb or ug/L)
 NYS Ambient Water Quality Standards/Guidance Values for Class GA Waterbody
 NS = No Standard/Not Sampled
 ND = Compound not detected above method detection limit (see attached lab report for mdl's)
 ft bgs = feet below grade surface

Shaded = Concentration exceeds NYCDEP Limitations for Effluent to Sanitary or Combined Sewers (daily limit)
 Bold = Concentration exceeds NYS Ambient Water Quality Standards/Guidance Values - Class GA Waters

¹ All handling and preservation of collected samples and laboratory analyses of samples was performed in accordance with 40 CFR Part 136.

Table 11. Summary of Target Analyte List (TAL) Metals Detected in Groundwater

Target Analyte List Metal ¹	NYCDEP Limitations to Sanitary or Combined Sewers	NYS Ambient Water Quality Standards/Guidance Values	Sample ID & Date Collect			
			TWP-01 10/21/2016	TWP-01DUP 10/21/2016	TWP-05 10/21/2016	Equipment Blank 10/21/2016
Aluminum	NS	NS	1,570	1,610	504	ND
Arsenic	NS	25	2.8	2.76	5.56	ND
Barium	NS	1,000	ND	ND	38.7	ND
Calcium Metal	NS	NS	38,600	44,200	24,500	137
Copper	NS	200	15.3	16.1	17.6	11.5
Iron	NS	300	15,700	19,000	1,790	41.4
Magnesium	NS	35,000	19,400	22,000	12,400	ND
Manganese	NS	300	173	196	65.2	ND
Nickel	NS	100	14.1	7.4	12.6	11.8
Potassium	NS	NS	11,300	13,000	7,600	ND
Selenium	NS	10	8.62	9.62	9.04	3.78
Sodium	NS	20,000	319,000	373,000	135,000	914
Zinc	NS	2,000	33.8	43.6	36.6	36.2

Notes:

All concentrations are reported in parts per billion (ppb or ug/L)
 NYS Ambient Water Quality Standards/Guidance Values for Class GA Waterbody
 NS = No Standard/Not Sampled
 ND = Compound not detected above method detection limit (see attached lab report for mdl's)
 ft bgs = feet below grade surface

Shaded = Concentration exceeds NYCDEP Limitations for Effluent to Sanitary or Combined Sewers (daily limit)
Bold = Concentration exceeds NYS Ambient Water Quality Standards/Guidance Values - Class GA Waters

¹ All handling and preservation of collected samples and laboratory analyses of samples was performed in accordance with 40 CFR Part 136.

Table 12. Summary of Target Analyte List (TAL) Metals (Dissolved) Detected in Groundwater

Target Analyte List Metal ¹	NYCDEP Limitations to Sanitary or Combined Sewers	NYS Ambient Water Quality Standards/Guidance Values	Sample ID & Date Collect	
			TWP-01	TWP-05
			10/21/2016	10/21/2016
Aluminum	NS	NS	NS	87.9
Arsenic	NS	25	ND	3.56
Barium	NS	1,000	ND	29.7
Calcium Metal	NS	NS	49,700	31,800
Chromium (Total)	5	54**	ND	ND
Copper	NS	200	27.3	19.2
Iron	NS	300	16,700	238
Magnesium	NS	35,000	24,900	15,700
Manganese	NS	300	216	76.9
Mercury	NS	0.7	ND	ND
Nickel	NS	100	ND	ND
Potassium	NS	NS	15,100	10,000
Silver	NS	50	ND	ND
Sodium	NS	20,000	413,000	172,000
Vanadium	NS	NS	ND	14.7
Zinc	NS	2,000	20.7	17.7

Notes:

All concentrations are reported in parts per billion (ppb or ug/L)

NYS Ambient Water Quality Standards/Guidance Values for Class GA Waterbody

NS = No Standard/Not Sampled

ND = Compound not detected above method detection limit (see attached lab report for md'l's)

ft bgs = feet below grade surface

* = Dissolved form

Shaded = Concentration exceeds NYCDEP Limitations for Effluent to Sanitary or Combined Sewers (daily limit)

Bold = Concentration exceeds NYS Ambient Water Quality Standards/Guidance Values - Class GA Waters

¹ All handling and preservation of collected samples and laboratory analyses of samples was performed in accordance with 40

Table 13. Summary of Polychlorinated Biphenyls (PCBs) Detected in Groundwater

PCBs ^{1,2}	NYCDEP Limitations to Sanitary or Combined Sewers	NYS Ambient Water Quality Standards/Guidance Values	Sample ID & Date Collect			
			TWP-01 10/21/2016	TWP-01DUP 10/21/2016	TWP-05 10/21/2016	Equipment Blank 10/21/2016
Total PCBs	1	5	ND	ND	ND	ND

Notes:

All concentrations are reported in parts per billion (ppb or ug/L)

NYS Ambient Water Quality Standards/Guidance Values for Class GA Waterbody

ND = Compound not detected above method detection limit (see attached lab report for mdl's)
ft bgs = feet below grade surface

Shaded = Concentration exceeds NYCDEP Limitations for Effluent to Sanitary or Combined Sewers (daily limit)

Bold = Concentration exceeds NYS Ambient Water Quality Standards/Guidance Values - Class GA Waters

¹ All handling and preservation of collected samples and laboratory analyses of samples was performed in accordance with 40 CFR Part 136.

² Analysis for PCBs was performed according to EPA method 608 with method detection limit =<65 parts per trillion. Analysis for PCBs is required if discharge => 10,000 gallons per day (gpd) and duration of discharge > 10 days.

Table 14. Summary of Pesticides Detected in Groundwater

Pesticides ¹	NYCDEP Limitations to Sanitary or Combined Sewers	NYS Ambient Water Quality Standards/Guidance Values	Sample ID & Date Collect			
			TWP-01 10/21/2016	TWP-01DUP 10/21/2016	TWP-05 10/21/2016	Equipment Blank 10/21/2016
Total Pesticides	NS	NS	ND	ND	ND	ND

Notes:

All concentrations are reported in parts per billion (ppb or ug/L)
 NYS Ambient Water Quality Standards/Guidance Values for SB Waterbody Classifications
 NS = No Standard/Not Sampled
 ND = Compound not detected above method detection limit (see attached lab report for mdl's)
 ft bgs = feet below grade surface

Bold = Positive detection

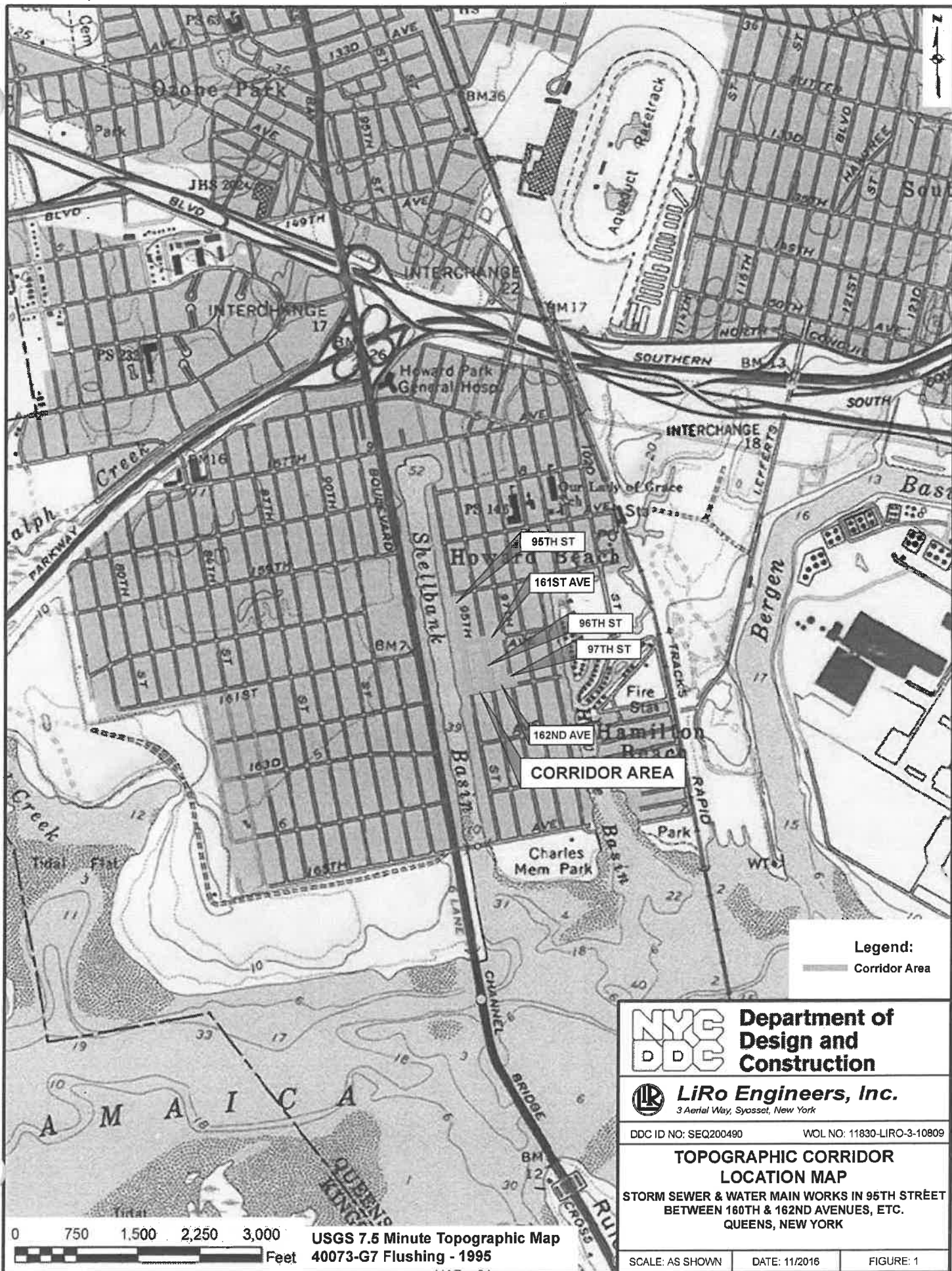
BOLD and Shaded = Concentration exceeds NYCDEP Limitations for Effluent to Sanitary or Combined Sewers (daily limit)

Italicized = Concentration exceeds NYS Ambient Water Quality Standards/Guidance Values

¹ All handling and preservation of collected samples and laboratory analyses of samples was performed in accordance with 40 CFR Part 136.

FIGURE 1 – TOPOGRAPHIC CORRIDOR LOCATION MAP

J:\15-008-0265 2\BEGS\Projects\Phase I - Phase I\11830 95th St. Ph II SCI\CAD\95th Corridor Topo Map.at



Legend:
 ——— Corridor Area

NYC DDC Department of Design and Construction

LiRo Engineers, Inc.
 3 Aerial Way, Syosset, New York

DDC ID NO: SEQ200490 WOL NO: 11830-LIRO-3-10809

TOPOGRAPHIC CORRIDOR LOCATION MAP
 STORM SEWER & WATER MAIN WORKS IN 95TH STREET BETWEEN 160TH & 162ND AVENUES, ETC. QUEENS, NEW YORK

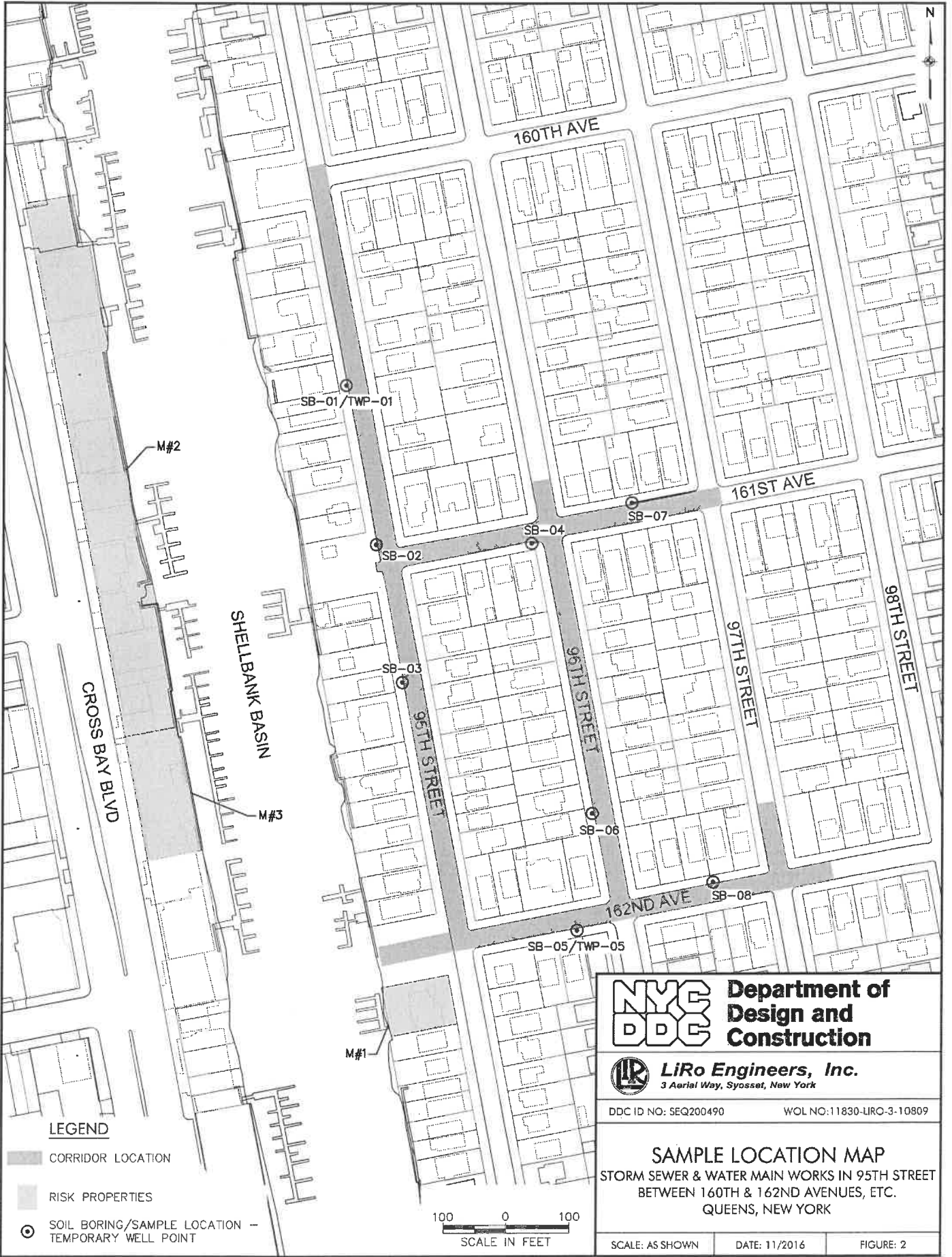
SCALE: AS SHOWN DATE: 11/2016 FIGURE: 1

0 750 1,500 2,250 3,000 Feet
 USGS 7.5 Minute Topographic Map
 40073-G7 Flushing - 1995




HAZ. - 81

FIGURE 2 – SAMPLE LOCATION PLAN

J:\15-008-026\...v15 DDC BEGS\Projects\Phase I - Phase II\SC\11830 95th St. Ph. II\SC\11830\95th Sample Map.DWG, 12/2/2016 9:50:27 AM, AMK



LEGEND

-  CORRIDOR LOCATION
-  RISK PROPERTIES
-  SOIL BORING/SAMPLE LOCATION - TEMPORARY WELL POINT



NYC
DDC Department of Design and Construction

 **LiRo Engineers, Inc.**
3 Aerial Way, Syosset, New York

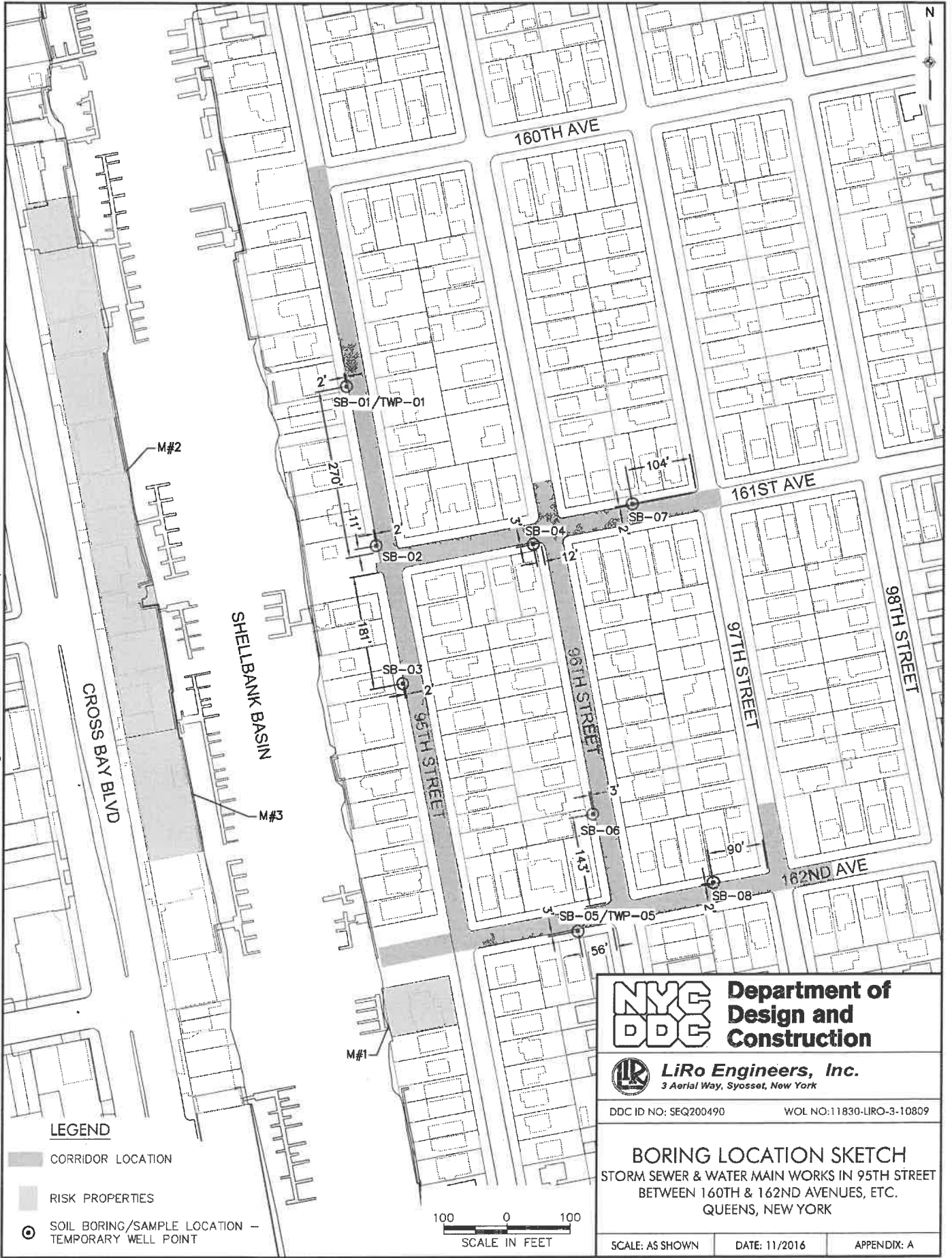
DDC ID NO: SEQ200490 WOL NO:11830-LIRO-3-10809

SAMPLE LOCATION MAP
STORM SEWER & WATER MAIN WORKS IN 95TH STREET
BETWEEN 160TH & 162ND AVENUES, ETC.
QUEENS, NEW YORK

SCALE: AS SHOWN DATE: 11/2016 FIGURE: 2

APPENDIX A
BORING LOCATION SKETCHES

J:\115-008-02\DWG-e015 DDC BEGS\Project\Phase I - Phase II\SC\ACAD\95th Boring Sketch.DWG, 12/2/2016 9:50:31 AM, AMK



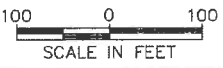
NYC DDC Department of Design and Construction

LiRo Engineers, Inc.
3 Aerial Way, Syosset, New York

DDC ID NO: SEQ200490 WOL NO:11830-LIRO-3-10809

BORING LOCATION SKETCH
STORM SEWER & WATER MAIN WORKS IN 95TH STREET
BETWEEN 160TH & 162ND AVENUES, ETC.
QUEENS, NEW YORK

SCALE: AS SHOWN DATE: 11/2016 APPENDIX: A



APPENDIX B
GEOLOGIC BORING LOGS / TEMPORARY WELL CONSTRUCTION LOGS



LiRo Engineers, Inc.

TEST BORING LOG

PROJECT: Storm, Sewer and Watermain Works in 95th Street, Queens, NY
CLIENT: Department of Design and Construction - OECS - SEQ200490 - 11830
BORING CONTRACTOR: Cascade Technical Services, LLC.

BORING NO.: SB-01/TWP-01
SHEET: 1 of 8
JOB NO.: 15-008-0265
LOCATION: 161 Ave./95th St.

GROUNDWATER: 4'	CAS.	SAMPLER	TUBE
DATE	TIME	LEVEL	TYPE
			NA
			DIA.
			WT.
			FALL

GROUND ELEVATION: NA
DATE STARTED: October 21, 2016
DATE FINISHED: October 21, 2016
DRILLER: Luke Caballero
GEOLOGIST: Eva Jakubowska
REVIEWED BY:

DEPTH FEET	SAMPLE				DESCRIPTION				USCS	REMARKS
	STRATA	"S" NO.	"N" NO.	BLOWS PER 6"	REC% RQD%	COLOR	CONSISTENCY HARDNESS	MATERIAL DESCRIPTION		
1								0-5.5': Fine to medium Sand.	SP	Cleared to 6 ftbg 0.0 ppm Moist Wet at 4 ftbg
					NA	Brown to light brown to grey	NA			
6							5.5-6.0': Peat/organic.	PT		
							End of boring at 6 ftbg.			
10										
15										
20										
25										
30										
35										

COMMENTS: Grab sample collected @ 3.5-4.0 ftbg for TCL VOCs, SVOCs, PCBs, Pesticides and TAL Metals. Composite sample collected from 0-4.0 ftbg for remaining parameters. Soil was classified according to the Unified Soil Classification System (USCS).

PROJECT NO.: 15-008-0265
BORING NO.: SB-01/TWP-01



LiRo Engineers, Inc.

TEST BORING LOG

PROJECT: Storm, Sewer and Watermain Works in 95th Street, Queens, NY					BORING NO.: SB-02		
CLIENT: Department of Design and Construction - OEGS - SEQ200490 - 11830					SHEET: 2 of 8		
BORING CONTRACTOR: Cascade Technical Services, LLC.					JOB NO.: 15-008-0265		
GROUNDWATER: 7'					LOCATION: 161 Ave./95th St.		
					GROUND ELEVATION: NA		
					DATE STARTED: October 20, 2016		
					DATE FINISHED: October 20, 2016		
					DRILLER: Luke Caballero		
					GEOLOGIST: Eva Jakubowska		
					REVIEWED BY:		

DEPTH FEET	SAMPLE					DESCRIPTION			USCS	REMARKS
	STRATA	"S" NO.	"N" NO.	BLOWS PER 6"	REC% RQD%	COLOR	CONSISTENCY HARDNESS	MATERIAL DESCRIPTION		
1	[Pattern]				NA	Dark brown to light brown	NA	0-5.0': Fine to medium Sand.	SP	Cleared to 7 ftbg
7							Dark brown to Red brown		5.0-7.0': Fine Sand, trace of silt.	SM
								End of Boring at 7 ftbg		
10										
15										
20										
25										
30										
35										

COMMENTS: Grab sample collected @ 0-2.0 ftbg and 6.5-7.0 ftbg for TCL VOCs, SVOCs, PCBs, Pesticides and TAL Metals. Composite sample collected from 0-7.0 ftbg for remaining parameters. Soil was classified according to the Unified Soil Classification System (USCS).	PROJECT NO.: 15-008-0265
	BORING NO.: SB-02



LiRo Engineers, Inc.

TEST BORING LOG

PROJECT: Storm, Sewer and Watermain Works in 95th Street, Queens, NY					BORING NO.: SB-03				
CLIENT: Department of Design and Construction - OECS - SEQ200490 - 11830					SHEET: 3 of 8				
BORING CONTRACTOR: Cascade Technical Services, LLC.					JOB NO.: 15-008-0265				
GROUNDWATER:					LOCATION: 161 Ave./95th St.				
					GROUND ELEVATION: NA				
DATE	TIME	LEVEL	TYPE	TYPE	DATE STARTED: October 20, 2016				
			NA	DIA.	DATE FINISHED: October 20, 2016				
				WT.	DRILLER: Luke Caballero				
				FALL	GEOLOGIST: Eva Jakubowska				
					REVIEWED BY:				

DEPTH FEET	SAMPLE				DESCRIPTION				USCS	REMARKS		
	STRATA	"S" NO.	"N" NO.	BLOWS PER 6"	REC% RQD%	COLOR	CONSISTENCY HARDNESS	MATERIAL DESCRIPTION				
1	[Pattern]					NA	Light brown to brown	NA	0-6.0': Fine to medium Sand.	SP	Cleared to 7 ftbg	
7							Dark brown		6.0-7.0': Peat/organic	PT	0.0 ppm Moist Wet at 3.5 ftbg	
									End of Boring at 7 ftbg			
10												
15												
20												
25												
30												
35												

COMMENTS: Grab sample collected @ 3.0-3.5 ftbg for TCL VOCs, SVOCs, PCBs, Pesticides and TAL Metals. Composite sample collected from 0-3.5 ftbg for remaining parameters. Soil was classified according to the Unified Soil Classification System (USCS).	PROJECT NO.: 15-008-0265
	BORING NO.: SB-03



LiRo Engineers, Inc.

TEST BORING LOG

PROJECT: Storm, Sewer and Watermain Works in 95th Street, Queens, NY							BORING NO.: SB-04	
CLIENT: Department of Design and Construction - OEGS - SEQ200490 - 11830							SHEET: 4 of 8	
BORING CONTRACTOR: Cascade Technical Services, LLC.							JOB NO.: 15-008-0265	
GROUNDWATER:							LOCATION: 161 Ave./96th St.	
							GROUND ELEVATION: NA	
DATE	TIME	LEVEL	TYPE	TYPE	CAS.	SAMPLER	TUBE	DATE STARTED: October 20, 2016
			NA	DIA.				DATE FINISHED: October 20, 2016
				WT.				DRILLER: Luke Caballero
				FALL				GEOLOGIST: Eva Jakubowska
							REVIEWED BY:	

DEPTH FEET	SAMPLE				DESCRIPTION				USCS	REMARKS		
	STRATA	"S" NO.	"N" NO.	BLOWS PER 6"	REC% RQD%	COLOR	CONSISTENCY HARDNESS	MATERIAL DESCRIPTION				
1					NA	Brown to blackish-grey	NA	0-5.0': Fine to medium Sand.	SP	Cleared to 6 ftbg 0.0 ppm Moist Wet at 4 ftbg		
6								5.0-6.0': Clay and peat.			PT	
										End of boring at 6 ftbg.		
10												
15												
20												
25												
30												
35												

COMMENTS: Grab sample collected @ 3.5-4.0 ftbg for TCL VOCs, SVOCs, PCBs, Pesticides and TAL Metals. Composite sample collected from 0-4.0 ftbg for remaining parameters. Soil was classified according to the Unified Soil Classification System (USCS).	PROJECT NO.: 15-008-0265
	BORING NO.: SB-04



LiRo Engineers, Inc.

TEST BORING LOG

PROJECT: Storm, Sewer and Watermain Works in 95th Street, Queens, NY
CLIENT: Department of Design and Construction - OECS - SEQ200490 - 11830
BORING CONTRACTOR: Cascade Technical Services, LLC.

BORING NO.: SB-05/TWP-05
SHEET: 5 of 8
JOB NO.: 15-008-0265
LOCATION: 162 Ave./96th St.
GROUND ELEVATION: NA
DATE STARTED: October 21, 2016
DATE FINISHED: October 21, 2016
DRILLER: Luke Caballero
GEOLOGIST: Eva Jakubowska
REVIEWED BY:

GROUNDWATER: 4'		CAS.	SAMPLER	TUBE
DATE	TIME	LEVEL	TYPE	TYPE
			NA	DIA.
				WT.
			FALL	

DEPTH FEET	SAMPLE				DESCRIPTION				USCS	REMARKS
	STRATA	"S" NO.	"N" NO.	BLOWS PER 6"	REC% RQD%	COLOR	CONSISTENCY HARDNESS	MATERIAL DESCRIPTION		
1						Brown to light brown	NA	0-6.0': Fine to medium Sand.	SP	Cleared to 7 ftbg 0.0 ppm Moist Wet at 4 ftbg
					NA					
7						Grey		6.0-7.0': Medium Sand and Peat.	PT	
								End of Boring at 7 ftbg		
10										
15										
20										
25										
30										
35										

COMMENTS: Grab samples collected @ 3.5-4.0 ftbg and 3.5-4.0 DUP for TCL VOCs, SVOCs, PCBs, Pesticides and TAL Metals. Composite sample collected from 0-4.0 ftbg for remaining parameters. Soil was classified according to the Unified Soil Classification System (USCS).

PROJECT NO.: 15-008-0265
BORING NO.: SB-05/TWP-05



LiRo Engineers, Inc.

TEST BORING LOG

PROJECT: Storm, Sewer and Watermain Works in 95th Street, Queens, NY					BORING NO.: SB-06			
CLIENT: Department of Design and Construction - OEGS - SEQ200490 - 11830					SHEET: 6 of 8			
BORING CONTRACTOR: Cascade Technical Services, LLC.					JOB NO.: 15-008-0265			
GROUNDWATER:					LOCATION: 162 Ave./96th St.			
DATE	TIME	LEVEL	TYPE	TYPE	CAS.	SAMPLER	TUBE	GROUND ELEVATION: NA
			NA	DIA.				DATE STARTED: October 20, 2016
				WT.				DATE FINISHED: October 20, 2016
				FALL				DRILLER: Luke Caballero
					GEOLOGIST: Eva Jakubowska			
					REVIEWED BY:			

DEPTH FEET	SAMPLE					DESCRIPTION				USCS	REMARKS
	STRATA	"S" NO.	"N" NO.	BLOWS PER 6"	REC% RQD%	COLOR	CONSISTENCY HARDNESS	MATERIAL DESCRIPTION			
1	[Pattern]					NA	Brown to light brown	NA	0-7.0': Fine to medium Sand.	SP	Cleared to 7 ftbg 0.0 ppm Moist Wet at 4 ftbg
7											
									End of Boring at 7 ftbg		
10											
15											
20											
25											
30											
35											

COMMENTS: Grab sample collected @ 3.5-4.0 ftbg for TCL VOCs, SVOCs, PCBs, Pesticides and TAL Metals. Composite sample collected from 0-4.0 ftbg for remaining parameters. Soil was classified according to the Unified Soil Classification System (USCS).	PROJECT NO.: 15-008-0265
	BORING NO.: SB-06



LiRo Engineers, Inc.

TEST BORING LOG

PROJECT: Storm, Sewer and Watermain Works in 95th Street, Queens, NY					BORING NO.: SB-07		
CLIENT: Department of Design and Construction - OECS - SEQ200490 - 11830					SHEET: 7 of 8		
BORING CONTRACTOR: Cascade Technical Services, LLC.					JOB NO.: 15-008-0265		
GROUNDWATER:					LOCATION: 161 Ave./97th St.		
					GROUND ELEVATION: NA		
DATE	TIME	LEVEL	TYPE	TYPE	DATE STARTED: October 20, 2016		
			NA	DIA.	DATE FINISHED: October 20, 2016		
				WT.	DRILLER: Luke Caballero		
				FALL	GEOLOGIST: Eva Jakubowska		
					REVIEWED BY:		

DEPTH FEET	SAMPLE				DESCRIPTION				USCS	REMARKS
	STRATA	"S" NO.	"N" NO.	BLOWS PER 6"	REC% RQD%	COLOR	CONSISTENCY HARDNESS	MATERIAL DESCRIPTION		
1	SAND				NA	Dark brown to light brown	NA	0-6.0' Fine to medium Sand.	SP	Cleared to 6 ftbg 0.0 ppm Moist Wet at 5 ftbg
6										
	End of boring at 6 ftbg.									
10										
15										
20										
25										
30										
35										

COMMENTS: Grab sample collected @ 4.5-5.0 ftbg for TCL VOCs, SVOCs, PCBs, Pesticides and TAL Metals. Composite sample collected from 0-5.0 ftbg for remaining parameters. Soil was classified according to the Unified Soil Classification System (USCS).	PROJECT NO.: 15-008-0265
	BORING NO.: SB-07



LiRo Engineers, Inc.

TEST BORING LOG

PROJECT: Storm, Sewer and Watermain Works in 95th Street, Queens, NY					BORING NO.: SB-08	
CLIENT: Department of Design and Construction - OEGS - SEQ200490 - 11830					SHEET: 8 of 8	
BORING CONTRACTOR: Cascade Technical Services, LLC.					JOB NO.: 15-008-0265	
GROUNDWATER:					LOCATION: 162 Ave./97th St.	
			CAS.	SAMPLER	TUBE	GROUND ELEVATION: NA
DATE	TIME	LEVEL	TYPE	TYPE		DATE STARTED: October 20, 2016
				DIA.		DATE FINISHED: October 20, 2016
				WT.		DRILLER: Luke Caballero
				FALL		GEOLOGIST: Eva Jakubowska
					REVIEWED BY:	

DEPTH FEET	SAMPLE					DESCRIPTION			USCS	REMARKS
	STRATA	"S" NO.	"N" NO.	BLOWS PER 6"	REC% RQD%	COLOR	CONSISTENCY HARDNESS	MATERIAL DESCRIPTION		
1	[Pattern]									Cleared to 7 ftbg 0.0 ppm Moist Wet at 3.5 ftbg
7					NA	Brown	NA	0-7.0': Fine to medium Sand.	SP	
	End of Boring at 7 ftbg									
10										
15										
20										
25										
30										
35										

COMMENTS: Grab sample collected @ 3.0-3.5 ftbg for TCL VOCs, SVOCs, PCBs, Pesticides and TAL Metals. Composite sample collected from 0-3.5 ftbg for remaining parameters. Soil was classified according to the Unified Soil Classification System (USCS).	PROJECT NO.: 15-008-0265
	BORING NO.: SB-08

DRILLING SUMMARY		TEMPORARY WELL CONSTRUCTION DETAIL		
Geologist: Eva Jakubowska				
Drilling Company: Cascade Technical Services, Ltd.				
Driller: Luke Caballero				
Rig Make/Model: NA				
Date: 10/21/2016				
GEOLOGIC LOG				
Depth(ft.)	Description	D E P T H natural material around screen 6'		
	See Soil Boring Log			
WELL DESIGN		Not to Scale		
<i>CASING MATERIAL</i>		<i>SCREEN MATERIAL</i>		<i>FILTER MATERIAL</i>
Surface: None	Monitor: None	Type: 1" PVC	Slot Size: 0.010"	Type: no filter pack Setting: N/A
				<i>SEAL MATERIAL</i>
				Type: Bentonite Setting: none Type: Cement Setting: NA
COMMENTS: Temporary well. Groundwater noted at approximately 4 ft bgs.				
Client: NYCDDC- BEGS		Location: 95th Street, Queens, NY		Project No.: 15-008-0265
LiRo Engineers, Inc.		MONITORING WELL CONSTRUCTION DETAILS		Well Number: SB-01/TWP-01

DRILLING SUMMARY		TEMPORARY WELL CONSTRUCTION DETAIL		
Geologist: Eva Jakubowska		<p>Open temporary</p> <p>Elevation Not measured</p> <p>Elevation Not measured</p> <p>Ground Level</p> <p>BOREHOLE</p> <p>1 inch dia.</p> <p>7 feet length</p> <p>no bentonite</p> <p>PVC CASING</p> <p>NA inch dia.</p> <p>NA feet length</p> <p>PVC SCREEN</p> <p>1 inch dia.</p> <p>7 feet length</p> <p>7'</p> <p>Not to Scale</p>		
Drilling Company: Cascade Technical Services, Ltd.				
Driller: Luke Caballero				
Rig Make/Model: NA				
Date: 10/21/2016				
GEOLOGIC LOG				
Depth(ft.)	Description	D	E	P
	See Soil Boring Log	T	H	
WELL DESIGN				
<i>CASING MATERIAL</i>		<i>SCREEN MATERIAL</i>		<i>FILTER MATERIAL</i>
Surface: None	Monitor: None	Type: 1" PVC	Slot Size: 0.010"	Type: no filter pack Setting: N/A
				<i>SEAL MATERIAL</i>
				Type: Bentonite Setting: none Type: Cement Setting: NA
<i>COMMENTS:</i> Temporary well. Groundwater noted at approximately 4 ft bgs.				
Client: NYCDDC- BEGS		Location: 95th Street, Queens, NY		Project No.: 15-008-0265
LiRo Engineers, Inc.		MONITORING WELL CONSTRUCTION DETAILS		Well Number: SB-05/TWP-05

APPENDIX C
LABORATORY ANALYTICAL RESULTS



Technical Report

prepared for:

LiRo Engineers
690 Delaware Ave.
Buffalo NY, 14209-2202
Attention: Amy Hewson

Report Date: 10/28/2016
Client Project ID: 95th str sewer/water OEGS 15-008-0265
York Project (SDG) No.: 16J0789

CT Cert. No. PH-0723

New Jersey Cert. No. CT-005



New York Cert. No. 10854

PA Cert. No. 68-04440

120 RESEARCH DRIVE

STRATFORD, CT 06615

(203) 325-1371

FAX (203) 357-0166

Report Date: 10/28/2016
Client Project ID: 95th str sewer/water OEGS 15-008-0265
York Project (SDG) No.: 16J0789

LiRo Engineers
690 Delaware Ave.
Buffalo NY, 14209-2202
Attention: Amy Hewson

Purpose and Results

This report contains the analytical data for the sample(s) identified on the attached chain-of-custody received in our laboratory on October 21, 2016 and listed below. The project was identified as your project: **95th str sewer/water OEGS 15-008-0265**.

The analyses were conducted utilizing appropriate EPA, Standard Methods, and ASTM methods as detailed in the data summary tables.

All samples were received in proper condition meeting the customary acceptance requirements for environmental samples except those indicated under the Notes section of this report.

All analyses met the method and laboratory standard operating procedure requirements except as indicated by any data flags, the meaning of which are explained in the attachment to this report, and case narrative if applicable.

The results of the analyses, which are all reported on dry weight basis (soils) unless otherwise noted, are detailed in the following pages.

Please contact Client Services at 203.325.1371 with any questions regarding this report.

<u>York Sample ID</u>	<u>Client Sample ID</u>	<u>Matrix</u>	<u>Date Collected</u>	<u>Date Received</u>
16J0789-01	TWP-01	Water	10/21/2016	10/21/2016
16J0789-02	TWP-05	Water	10/21/2016	10/21/2016
16J0789-03	TWP-01 DUP	Water	10/21/2016	10/21/2016
16J0789-04	EQUIPMENT BLANK	Water	10/21/2016	10/21/2016
16J0789-05	TRIP BANK	Water	10/21/2016	10/21/2016

General Notes for York Project (SDG) No.: 16J0789

1. The RLs and MDLs (Reporting Limit and Method Detection Limit respectively) reported are adjusted for any dilution necessary due to the levels of target and/or non-target analytes and matrix interference. The RL(REPORTING LIMIT) is based upon the lowest standard utilized for the calibration where applicable.
2. Samples are retained for a period of thirty days after submittal of report, unless other arrangements are made.
3. York's liability for the above data is limited to the dollar value paid to York for the referenced project.
4. This report shall not be reproduced without the written approval of York Analytical Laboratories, Inc.
5. All samples were received in proper condition for analysis with proper documentation, unless otherwise noted.
6. All analyses conducted met method or Laboratory SOP requirements. See the Qualifiers and/or Narrative sections for further information.
7. It is noted that no analyses reported herein were subcontracted to another laboratory, unless noted in the report.
8. This report reflects results that relate only to the samples submitted on the attached chain-of-custody form(s) received by York.

Approved By:



Date: 10/28/2016

Benjamin Gulizia
Laboratory Director





Sample Information

Client Sample ID: TWP-01

York Sample ID: 16J0789-01

York Project (SDG) No.
16J0789.

Client Project ID
95th str sewer/water OEGS 15-008-0265

Matrix
Water

Collection Date/Time
October 21, 2016 10:30 am

Date Received
10/21/2016

Volatile Organics, 8260 - Comprehensive

Log-in Notes:

Sample Notes:

Sample Prepared by Method: EPA 5030B

CAS No.	Parameter	Result	Flag	Units	Reported to LOD/MDL	LOQ	Dilution	Reference Method	Date/Time Prepared	Date/Time Analyzed	Analyst
630-20-6	1,1,1,2-Tetrachloroethane	ND		ug/L	0.20	0.50	1	EPA 8260C Certifications: CTDOH,NELAC-NY10854,NJDEP	10/27/2016 08:00	10/27/2016 14:58	SS
71-55-6	1,1,1-Trichloroethane	ND		ug/L	0.20	0.50	1	EPA 8260C Certifications: CTDOH,NELAC-NY10854,NJDEP	10/27/2016 08:00	10/27/2016 14:58	SS
79-34-5	1,1,2,2-Tetrachloroethane	ND		ug/L	0.20	0.50	1	EPA 8260C Certifications: CTDOH,NELAC-NY10854,NJDEP	10/27/2016 08:00	10/27/2016 14:58	SS
76-13-1	1,1,2-Trichloro-1,2,2-trifluoroethane (Freon 113)	ND		ug/L	0.20	0.50	1	EPA 8260C Certifications: CTDOH,NELAC-NY10854,NJDEP	10/27/2016 08:00	10/27/2016 14:58	SS
79-00-5	1,1,2-Trichloroethane	ND		ug/L	0.20	0.50	1	EPA 8260C Certifications: CTDOH,NELAC-NY10854,NJDEP	10/27/2016 08:00	10/27/2016 14:58	SS
75-34-3	1,1-Dichloroethane	ND		ug/L	0.20	0.50	1	EPA 8260C Certifications: CTDOH,NELAC-NY10854,NJDEP	10/27/2016 08:00	10/27/2016 14:58	SS
5-4	1,1-Dichloroethylene	ND		ug/L	0.20	0.50	1	EPA 8260C Certifications: CTDOH,NELAC-NY10854,NJDEP	10/27/2016 08:00	10/27/2016 14:58	SS
87-61-6	1,2,3-Trichlorobenzene	ND		ug/L	0.20	0.50	1	EPA 8260C Certifications: NELAC-NY10854,NJDEP	10/27/2016 08:00	10/27/2016 14:58	SS
96-18-4	1,2,3-Trichloropropane	ND		ug/L	0.20	0.50	1	EPA 8260C Certifications: NELAC-NY10854,NJDEP	10/27/2016 08:00	10/27/2016 14:58	SS
120-82-1	1,2,4-Trichlorobenzene	ND		ug/L	0.20	0.50	1	EPA 8260C Certifications: NELAC-NY10854,NJDEP	10/27/2016 08:00	10/27/2016 14:58	SS
95-63-6	1,2,4-Trimethylbenzene	ND		ug/L	0.20	0.50	1	EPA 8260C Certifications: CTDOH,NELAC-NY10854,NJDEP	10/27/2016 08:00	10/27/2016 14:58	SS
96-12-8	1,2-Dibromo-3-chloropropane	ND		ug/L	0.20	2.0	1	EPA 8260C Certifications: CTDOH,NELAC-NY10854,NJDEP	10/27/2016 08:00	10/27/2016 14:58	SS
106-93-4	1,2-Dibromoethane	ND		ug/L	0.20	0.50	1	EPA 8260C Certifications: CTDOH,NELAC-NY10854,NJDEP	10/27/2016 08:00	10/27/2016 14:58	SS
95-50-1	1,2-Dichlorobenzene	ND		ug/L	0.20	0.50	1	EPA 8260C Certifications: CTDOH,NELAC-NY10854,NJDEP	10/27/2016 08:00	10/27/2016 14:58	SS
107-06-2	1,2-Dichloroethane	ND		ug/L	0.20	0.50	1	EPA 8260C Certifications: CTDOH,NELAC-NY10854,NJDEP	10/27/2016 08:00	10/27/2016 14:58	SS
78-87-5	1,2-Dichloropropane	ND		ug/L	0.20	0.50	1	EPA 8260C Certifications: CTDOH,NELAC-NY10854,NJDEP	10/27/2016 08:00	10/27/2016 14:58	SS
108-67-8	1,3,5-Trimethylbenzene	ND		ug/L	0.20	0.50	1	EPA 8260C Certifications: CTDOH,NELAC-NY10854,NJDEP	10/27/2016 08:00	10/27/2016 14:58	SS
541-73-1	1,3-Dichlorobenzene	ND		ug/L	0.20	0.50	1	EPA 8260C Certifications: CTDOH,NELAC-NY10854,NJDEP	10/27/2016 08:00	10/27/2016 14:58	SS
106-46-7	1,4-Dichlorobenzene	ND		ug/L	0.20	0.50	1	EPA 8260C Certifications: CTDOH,NELAC-NY10854,NJDEP	10/27/2016 08:00	10/27/2016 14:58	SS
123-91-1	1,4-Dioxane	ND		ug/L	40	40	1	EPA 8260C Certifications: NELAC-NY10854,NJDEP	10/27/2016 08:00	10/27/2016 14:58	SS
5-3	2-Butanone	ND		ug/L	0.20	2.0	1	EPA 8260C Certifications: CTDOH,NELAC-NY10854,NJDEP	10/27/2016 08:00	10/27/2016 14:58	SS

HAZ-101



Sample Information

Client Sample ID: TWP-01

York Sample ID: 16J0789-01

York Project (SDG) No.
16J0789

Client Project ID
95th str sewer/water OEGS 15-008-0265

Matrix
Water

Collection Date/Time
October 21, 2016 10:30 am

Date Received
10/21/2016

Volatile Organics, 8260 - Comprehensive

Log-in Notes:

Sample Notes:

Sample Prepared by Method: EPA 5030B

CAS No.	Parameter	Result	Flag	Units	Reported to LOD/MDL	LOQ	Dilution	Reference Method	Date/Time Prepared	Date/Time Analyzed	Analyst
591-78-6	2-Hexanone	ND		ug/L	0.20	2.0	1	EPA 8260C Certifications: CTDOH,NELAC-NY10854,NJDEP	10/27/2016 08:00	10/27/2016 14:58	SS
108-10-1	4-Methyl-2-pentanone	ND		ug/L	0.20	2.0	1	EPA 8260C Certifications: CTDOH,NELAC-NY10854,NJDEP	10/27/2016 08:00	10/27/2016 14:58	SS
67-64-1	Acetone	ND		ug/L	1.0	2.0	1	EPA 8260C Certifications: CTDOH,NELAC-NY10854,NJDEP	10/27/2016 08:00	10/27/2016 14:58	SS
107-02-8	Acrolein	ND		ug/L	0.20	0.50	1	EPA 8260C Certifications: CTDOH,NELAC-NY10854,NJDEP	10/27/2016 08:00	10/27/2016 14:58	SS
107-13-1	Acrylonitrile	ND		ug/L	0.20	2.0	1	EPA 8260C Certifications: CTDOH,NELAC-NY10854,NJDEP	10/27/2016 08:00	10/27/2016 14:58	SS
71-43-2	Benzene	ND		ug/L	0.20	0.50	1	EPA 8260C Certifications: CTDOH,NELAC-NY10854,NJDEP	10/27/2016 08:00	10/27/2016 14:58	SS
74-97-5	Bromochloromethane	ND		ug/L	0.20	0.50	1	EPA 8260C Certifications: NELAC-NY10854,NJDEP	10/27/2016 08:00	10/27/2016 14:58	SS
75-27-4	Bromodichloromethane	ND		ug/L	0.20	0.50	1	EPA 8260C Certifications: CTDOH,NELAC-NY10854,NJDEP	10/27/2016 08:00	10/27/2016 14:58	SS
75-25-2	Bromoform	ND		ug/L	0.20	0.50	1	EPA 8260C Certifications: CTDOH,NELAC-NY10854,NJDEP	10/27/2016 08:00	10/27/2016 14:58	SS
74-83-9	Bromomethane	ND		ug/L	0.20	2.0	1	EPA 8260C Certifications: CTDOH,NELAC-NY10854,NJDEP	10/27/2016 08:00	10/27/2016 14:58	SS
75-15-0	Carbon disulfide	ND		ug/L	0.20	0.50	1	EPA 8260C Certifications: CTDOH,NELAC-NY10854,NJDEP	10/27/2016 08:00	10/27/2016 14:58	SS
56-23-5	Carbon tetrachloride	ND		ug/L	0.20	0.50	1	EPA 8260C Certifications: CTDOH,NELAC-NY10854,NJDEP	10/27/2016 08:00	10/27/2016 14:58	SS
108-90-7	Chlorobenzene	ND		ug/L	0.20	0.50	1	EPA 8260C Certifications: CTDOH,NELAC-NY10854,NJDEP	10/27/2016 08:00	10/27/2016 14:58	SS
75-00-3	Chloroethane	ND		ug/L	0.20	0.50	1	EPA 8260C Certifications: CTDOH,NELAC-NY10854,NJDEP	10/27/2016 08:00	10/27/2016 14:58	SS
67-66-3	Chloroform	ND		ug/L	0.20	0.50	1	EPA 8260C Certifications: CTDOH,NELAC-NY10854,NJDEP	10/27/2016 08:00	10/27/2016 14:58	SS
74-87-3	Chloromethane	ND		ug/L	0.20	0.50	1	EPA 8260C Certifications: CTDOH,NELAC-NY10854,NJDEP	10/27/2016 08:00	10/27/2016 14:58	SS
156-59-2	cis-1,2-Dichloroethylene	ND		ug/L	0.20	0.50	1	EPA 8260C Certifications: CTDOH,NELAC-NY10854,NJDEP	10/27/2016 08:00	10/27/2016 14:58	SS
10061-01-5	cis-1,3-Dichloropropylene	ND		ug/L	0.20	0.50	1	EPA 8260C Certifications: CTDOH,NELAC-NY10854,NJDEP	10/27/2016 08:00	10/27/2016 14:58	SS
110-82-7	Cyclohexane	ND		ug/L	0.20	0.50	1	EPA 8260C Certifications: NELAC-NY10854,NJDEP	10/27/2016 08:00	10/27/2016 14:58	SS
124-48-1	Dibromochloromethane	ND		ug/L	0.20	0.50	1	EPA 8260C Certifications: CTDOH,NELAC-NY10854,NJDEP	10/27/2016 08:00	10/27/2016 14:58	SS
74-95-3	Dibromomethane	ND		ug/L	0.20	0.50	1	EPA 8260C Certifications: NELAC-NY10854,NJDEP	10/27/2016 08:00	10/27/2016 14:58	SS
75-71-8	Dichlorodifluoromethane	ND		ug/L	0.20	0.50	1	EPA 8260C Certifications: NELAC-NY10854,NJDEP	10/27/2016 08:00	10/27/2016 14:58	SS



Sample Information

Client Sample ID: TWP-01

York Sample ID: 16J0789-01

York Project (SDG) No.
16J0789

Client Project ID
95th str sewer/water OEGS 15-008-0265

Matrix
Water

Collection Date/Time
October 21, 2016 10:30 am

Date Received
10/21/2016

Volatile Organics, 8260 - Comprehensive

Log-in Notes:

Sample Notes:

Sample Prepared by Method: EPA 5030B

CAS No.	Parameter	Result	Flag	Units	Reported to LOD/MDL	LOQ	Dilution	Reference Method	Date/Time Prepared	Date/Time Analyzed	Analyst
100-41-4	Ethyl Benzene	ND		ug/L	0.20	0.50	1	EPA 8260C Certifications: CTDOH,NELAC-NY10854,NJDEP	10/27/2016 08:00	10/27/2016 14:58	SS
87-68-3	Hexachlorobutadiene	ND		ug/L	0.20	0.50	1	EPA 8260C Certifications: NELAC-NY10854,NJDEP	10/27/2016 08:00	10/27/2016 14:58	SS
98-82-8	Isopropylbenzene	ND		ug/L	0.20	0.50	1	EPA 8260C Certifications: CTDOH,NELAC-NY10854,NJDEP	10/27/2016 08:00	10/27/2016 14:58	SS
79-20-9	Methyl acetate	ND		ug/L	0.20	0.50	1	EPA 8260C Certifications: NELAC-NY10854,NJDEP	10/27/2016 08:00	10/27/2016 14:58	SS
1634-04-4	Methyl tert-butyl ether (MTBE)	ND		ug/L	0.20	0.50	1	EPA 8260C Certifications: CTDOH,NELAC-NY10854,NJDEP	10/27/2016 08:00	10/27/2016 14:58	SS
108-87-2	Methylcyclohexane	ND		ug/L	0.20	0.50	1	EPA 8260C Certifications: NELAC-NY10854,NJDEP	10/27/2016 08:00	10/27/2016 14:58	SS
75-09-2	Methylene chloride	ND		ug/L	1.0	2.0	1	EPA 8260C Certifications: CTDOH,NELAC-NY10854,NJDEP	10/27/2016 08:00	10/27/2016 14:58	SS
51-8	n-Butylbenzene	ND		ug/L	0.20	0.50	1	EPA 8260C Certifications: CTDOH,NELAC-NY10854,NJDEP	10/27/2016 08:00	10/27/2016 14:58	SS
103-65-1	n-Propylbenzene	ND		ug/L	0.20	0.50	1	EPA 8260C Certifications: CTDOH,NELAC-NY10854,NJDEP	10/27/2016 08:00	10/27/2016 14:58	SS
95-47-6	o-Xylene	ND		ug/L	0.20	0.50	1	EPA 8260C Certifications: NELAC-NY10854	10/27/2016 08:00	10/27/2016 14:58	SS
179601-23-1	p- & m- Xylenes	ND		ug/L	0.50	1.0	1	EPA 8260C Certifications: NELAC-NY10854	10/27/2016 08:00	10/27/2016 14:58	SS
99-87-6	p-Isopropyltoluene	ND		ug/L	0.20	0.50	1	EPA 8260C Certifications: CTDOH,NELAC-NY10854,NJDEP	10/27/2016 08:00	10/27/2016 14:58	SS
135-98-8	sec-Butylbenzene	ND		ug/L	0.20	0.50	1	EPA 8260C Certifications: CTDOH,NELAC-NY10854,NJDEP	10/27/2016 08:00	10/27/2016 14:58	SS
100-42-5	Styrene	ND		ug/L	0.20	0.50	1	EPA 8260C Certifications: CTDOH,NELAC-NY10854,NJDEP	10/27/2016 08:00	10/27/2016 14:58	SS
75-65-0	tert-Butyl alcohol (TBA)	ND		ug/L	0.50	2.0	1	EPA 8260C Certifications: NELAC-NY10854,NJDEP	10/27/2016 08:00	10/27/2016 14:58	SS
98-06-6	tert-Butylbenzene	ND		ug/L	0.20	0.50	1	EPA 8260C Certifications: CTDOH,NELAC-NY10854,NJDEP	10/27/2016 08:00	10/27/2016 14:58	SS
127-18-4	Tetrachloroethylene	ND		ug/L	0.20	0.50	1	EPA 8260C Certifications: CTDOH,NELAC-NY10854,NJDEP	10/27/2016 08:00	10/27/2016 14:58	SS
108-88-3	Toluene	ND		ug/L	0.20	0.50	1	EPA 8260C Certifications: CTDOH,NELAC-NY10854,NJDEP	10/27/2016 08:00	10/27/2016 14:58	SS
156-60-5	trans-1,2-Dichloroethylene	ND		ug/L	0.20	0.50	1	EPA 8260C Certifications: CTDOH,NELAC-NY10854,NJDEP	10/27/2016 08:00	10/27/2016 14:58	SS
10061-02-6	trans-1,3-Dichloropropylene	ND		ug/L	0.20	0.50	1	EPA 8260C Certifications: CTDOH,NELAC-NY10854,NJDEP	10/27/2016 08:00	10/27/2016 14:58	SS
91-6	Trichloroethylene	ND		ug/L	0.20	0.50	1	EPA 8260C Certifications: CTDOH,NELAC-NY10854,NJDEP	10/27/2016 08:00	10/27/2016 14:58	SS
75-69-4	Trichlorofluoromethane	ND		ug/L	0.20	0.50	1	EPA 8260C Certifications: CTDOH,NELAC-NY10854,NJDEP	10/27/2016 08:00	10/27/2016 14:58	SS



Sample Information

Client Sample ID: TWP-01 **York Sample ID:** 16J0789-01
York Project (SDG) No. 16J0789 **Client Project ID** 95th str sewer/water OECS 15-008-0265 **Matrix** Water **Collection Date/Time** October 21, 2016 10:30 am **Date Received** 10/21/2016

Volatiles Organics, 8260 - Comprehensive

Log-in Notes:

Sample Notes:

Sample Prepared by Method: EPA 5030B

CAS No.	Parameter	Result	Flag	Units	Reported to LOD/MDL	LOQ	Dilution	Reference Method	Date/Time Prepared	Date/Time Analyzed	Analyst
75-01-4	Vinyl Chloride	ND		ug/L	0.20	0.50	1	EPA 8260C Certifications: CTDOH,NELAC-NY10854,NJDEP	10/27/2016 08:00	10/27/2016 14:58	SS
1330-20-7	* Xylenes, Total	ND		ug/L	0.60	1.5	1	EPA 8260C Certifications: CTDOH,NJDEP	10/27/2016 08:00	10/27/2016 14:58	SS
Surrogate Recoveries		Result			Acceptance Range						
17060-07-0	Surrogate: 1,2-Dichloroethane-d4	105 %			69-130						
2037-26-5	Surrogate: Toluene-d8	95.8 %			81-117						
460-00-4	Surrogate: p-Bromofluorobenzene	94.6 %			79-122						

Volatiles Organics, NYCDEP Sewer Discharge List

Log-in Notes:

Sample Notes:

Sample Prepared by Method: EPA 5030B

CAS No.	Parameter	Result	Flag	Units	Reported to LOD/MDL	LOQ	Dilution	Reference Method	Date/Time Prepared	Date/Time Analyzed	Analyst
71-55-6	1,1,1-Trichloroethane	ND		ug/L	1.2	5.0	1	EPA 624 Certifications: CTDOH,NELAC-NY10854,NJDEP,PADEP	10/27/2016 08:00	10/27/2016 14:58	SS
106-46-7	1,4-Dichlorobenzene	ND		ug/L	1.2	5.0	1	EPA 624 Certifications: CTDOH,NELAC-NY10854,NJDEP,PADEP	10/27/2016 08:00	10/27/2016 14:58	SS
71-43-2	Benzene	ND		ug/L	1.3	5.0	1	EPA 624 Certifications: CTDOH,NELAC-NY10854,NJDEP,PADEP	10/27/2016 08:00	10/27/2016 14:58	SS
56-23-5	Carbon tetrachloride	ND		ug/L	1.4	5.0	1	EPA 624 Certifications: CTDOH,NELAC-NY10854,NJDEP,PADEP	10/27/2016 08:00	10/27/2016 14:58	SS
67-66-3	Chloroform	ND		ug/L	1.1	5.0	1	EPA 624 Certifications: CTDOH,NELAC-NY10854,NJDEP,PADEP	10/27/2016 08:00	10/27/2016 14:58	SS
100-41-4	Ethyl Benzene	ND		ug/L	1.2	5.0	1	EPA 624 Certifications: CTDOH,NELAC-NY10854,NJDEP,PADEP	10/27/2016 08:00	10/27/2016 14:58	SS
1634-04-4	* Methyl tert-butyl ether (MTBE)	ND		ug/L	0.53	5.0	1	EPA 624 Certifications:	10/27/2016 08:00	10/27/2016 14:58	SS
95-47-6	o-Xylene	ND		ug/L	1.1	5.0	1	EPA 624 Certifications: CTDOH,NELAC-NY10854,NJDEP	10/27/2016 08:00	10/27/2016 14:58	SS
179601-23-1	p- & m- Xylenes	ND		ug/L	2.3	10	1	EPA 624 Certifications: CTDOH,NELAC-NY10854,NJDEP	10/27/2016 08:00	10/27/2016 14:58	SS
127-18-4	Tetrachloroethylene	ND		ug/L	3.3	5.0	1	EPA 624 Certifications: CTDOH,NELAC-NY10854,NJDEP,PADEP	10/27/2016 08:00	10/27/2016 14:58	SS
108-88-3	Toluene	ND		ug/L	0.81	5.0	1	EPA 624 Certifications: CTDOH,NELAC-NY10854,NJDEP,PADEP	10/27/2016 08:00	10/27/2016 14:58	SS
1330-20-7	Xylenes, Total	ND		ug/L	3.4	15	1	EPA 624 Certifications: CTDOH,NELAC-NY10854,NJDEP	10/27/2016 08:00	10/27/2016 14:58	SS
Surrogate Recoveries		Result			Acceptance Range						
17060-07-0	Surrogate: 1,2-Dichloroethane-d4	105 %			69-130						
2037-26-5	Surrogate: Toluene-d8	95.8 %			81-117						
460-00-4	Surrogate: p-Bromofluorobenzene	94.6 %			79-122						



Sample Information

Client Sample ID: TWP-01

York Sample ID: 16J0789-01

York Project (SDG) No.
16J0789

Client Project ID
95th str sewer/water OEGS 15-008-0265

Matrix
Water

Collection Date/Time
October 21, 2016 10:30 am

Date Received
10/21/2016

Semi-Volatiles, 8270 - Comprehensive

Log-in Notes:

Sample Notes:

Sample Prepared by Method: EPA 3510C

CAS No.	Parameter	Result	Flag	Units	Reported to LOD/MDL	LOQ	Dilution	Reference Method	Date/Time Prepared	Date/Time Analyzed	Analyst
92-52-4	1,1'-Biphenyl	ND		ug/L	2.78	5.56	1	EPA 8270D Certifications: NELAC-NY10854,NJDEP,PADEP	10/26/2016 14:53	10/27/2016 11:43	KH
95-94-3	1,2,4,5-Tetrachlorobenzene	ND		ug/L	2.78	5.56	1	EPA 8270D Certifications: NELAC-NY10854,NJDEP,PADEP	10/26/2016 14:53	10/27/2016 11:43	KH
122-66-7	1,2-Diphenylhydrazine (as Azobenzene)	ND		ug/L	2.78	5.56	1	EPA 8270D Certifications: NELAC-NY10854,NJDEP,PADEP	10/26/2016 14:53	10/27/2016 11:43	KH
58-90-2	2,3,4,6-Tetrachlorophenol	ND		ug/L	2.78	5.56	1	EPA 8270D Certifications: NELAC-NY10854,NJDEP,PADEP	10/26/2016 14:53	10/27/2016 11:43	KH
95-95-4	2,4,5-Trichlorophenol	ND		ug/L	2.78	5.56	1	EPA 8270D Certifications: CTDOH,NELAC-NY10854,NJDEP,PADEP	10/26/2016 14:53	10/27/2016 11:43	KH
88-06-2	2,4,6-Trichlorophenol	ND		ug/L	2.78	5.56	1	EPA 8270D Certifications: CTDOH,NELAC-NY10854,NJDEP,PADEP	10/26/2016 14:53	10/27/2016 11:43	KH
120-82-1	1,2,4-Trichlorobenzene	ND		ug/L	2.78	5.56	1	EPA 8270D Certifications: CTDOH,NELAC-NY10854,NJDEP,PADEP	10/26/2016 14:53	10/27/2016 11:43	KH
120-83-2	2,4-Dichlorophenol	ND		ug/L	2.78	5.56	1	EPA 8270D Certifications: CTDOH,NELAC-NY10854,NJDEP,PADEP	10/26/2016 14:53	10/27/2016 11:43	KH
105-67-9	2,4-Dimethylphenol	ND		ug/L	2.78	5.56	1	EPA 8270D Certifications: CTDOH,NELAC-NY10854,NJDEP,PADEP	10/26/2016 14:53	10/27/2016 11:43	KH
51-28-5	2,4-Dinitrophenol	ND		ug/L	2.78	5.56	1	EPA 8270D Certifications: CTDOH,NELAC-NY10854,NJDEP,PADEP	10/26/2016 14:53	10/27/2016 11:43	KH
121-14-2	2,4-Dinitrotoluene	ND		ug/L	2.78	5.56	1	EPA 8270D Certifications: CTDOH,NELAC-NY10854,NJDEP,PADEP	10/26/2016 14:53	10/27/2016 11:43	KH
95-50-1	1,2-Dichlorobenzene	ND		ug/L	2.78	5.56	1	EPA 8270D Certifications: NELAC-NY10854,PADEP	10/26/2016 14:53	10/27/2016 11:43	KH
606-20-2	2,6-Dinitrotoluene	ND		ug/L	2.78	5.56	1	EPA 8270D Certifications: CTDOH,NELAC-NY10854,NJDEP,PADEP	10/26/2016 14:53	10/27/2016 11:43	KH
91-58-7	2-Chloronaphthalene	ND		ug/L	2.78	5.56	1	EPA 8270D Certifications: CTDOH,NELAC-NY10854,NJDEP,PADEP	10/26/2016 14:53	10/27/2016 11:43	KH
95-57-8	2-Chlorophenol	ND		ug/L	2.78	5.56	1	EPA 8270D Certifications: CTDOH,NELAC-NY10854,NJDEP,PADEP	10/26/2016 14:53	10/27/2016 11:43	KH
91-57-6	2-Methylnaphthalene	ND		ug/L	2.78	5.56	1	EPA 8270D Certifications: CTDOH,NELAC-NY10854,NJDEP,PADEP	10/26/2016 14:53	10/27/2016 11:43	KH
541-73-1	1,3-Dichlorobenzene	ND		ug/L	2.78	5.56	1	EPA 8270D Certifications: NELAC-NY10854,PADEP	10/26/2016 14:53	10/27/2016 11:43	KH
95-48-7	2-Methylphenol	ND		ug/L	2.78	5.56	1	EPA 8270D Certifications: CTDOH,NELAC-NY10854,NJDEP,PADEP	10/26/2016 14:53	10/27/2016 11:43	KH
88-74-4	2-Nitroaniline	ND		ug/L	2.78	5.56	1	EPA 8270D Certifications: CTDOH,NELAC-NY10854,NJDEP,PADEP	10/26/2016 14:53	10/27/2016 11:43	KH
106-46-7	1,4-Dichlorobenzene	ND		ug/L	2.78	5.56	1	EPA 8270D Certifications: NELAC-NY10854,PADEP	10/26/2016 14:53	10/27/2016 11:43	KH
55-55-5	2-Nitrophenol	ND		ug/L	2.78	5.56	1	EPA 8270D Certifications: CTDOH,NELAC-NY10854,NJDEP,PADEP	10/26/2016 14:53	10/27/2016 11:43	KH
65794-96-9	3- & 4-Methylphenols	ND		ug/L	2.78	5.56	1	EPA 8270D Certifications: CTDOH,NELAC-NY10854,NJDEP,PADEP	10/26/2016 14:53	10/27/2016 11:43	KH

HAZ-105



Sample Information

Client Sample ID: TWP-01

York Sample ID: 16J0789-01

York Project (SDG) No.
16J0789

Client Project ID
95th str sewer/water OEGS 15-008-0265

Matrix
Water

Collection Date/Time
October 21, 2016 10:30 am

Date Received
10/21/2016

Semi-Volatiles, 8270 - Comprehensive

Log-in Notes:

Sample Notes:

Sample Prepared by Method: EPA 3510C

CAS No.	Parameter	Result	Flag	Units	Reported to LOD/MDL	LOQ	Dilution	Reference Method	Date/Time Prepared	Date/Time Analyzed	Analyst
91-94-1	3,3'-Dichlorobenzidine	ND		ug/L	2.78	5.56	1	EPA 8270D Certifications: CTDOH,NELAC-NY10854,NJDEP,PADEP	10/26/2016 14:53	10/27/2016 11:43	KH
99-09-2	3-Nitroaniline	ND		ug/L	2.78	5.56	1	EPA 8270D Certifications: CTDOH,NELAC-NY10854,NJDEP,PADEP	10/26/2016 14:53	10/27/2016 11:43	KH
534-52-1	4,6-Dinitro-2-methylphenol	ND		ug/L	2.78	5.56	1	EPA 8270D Certifications: CTDOH,NELAC-NY10854,NJDEP,PADEP	10/26/2016 14:53	10/27/2016 11:43	KH
101-55-3	4-Bromophenyl phenyl ether	ND		ug/L	2.78	5.56	1	EPA 8270D Certifications: CTDOH,NELAC-NY10854,NJDEP,PADEP	10/26/2016 14:53	10/27/2016 11:43	KH
59-50-7	4-Chloro-3-methylphenol	ND		ug/L	2.78	5.56	1	EPA 8270D Certifications: CTDOH,NELAC-NY10854,NJDEP,PADEP	10/26/2016 14:53	10/27/2016 11:43	KH
106-47-8	4-Chloroaniline	ND		ug/L	2.78	5.56	1	EPA 8270D Certifications: CTDOH,NELAC-NY10854,NJDEP,PADEP	10/26/2016 14:53	10/27/2016 11:43	KH
7005-72-3	4-Chlorophenyl phenyl ether	ND		ug/L	2.78	5.56	1	EPA 8270D Certifications: CTDOH,NELAC-NY10854,NJDEP,PADEP	10/26/2016 14:53	10/27/2016 11:43	KH
100-01-6	4-Nitroaniline	ND		ug/L	2.78	5.56	1	EPA 8270D Certifications: CTDOH,NELAC-NY10854,NJDEP,PADEP	10/26/2016 14:53	10/27/2016 11:43	KH
100-02-7	4-Nitrophenol	ND		ug/L	2.78	5.56	1	EPA 8270D Certifications: CTDOH,NELAC-NY10854,NJDEP,PADEP	10/26/2016 14:53	10/27/2016 11:43	KH
83-32-9	Acenaphthene	ND		ug/L	0.0556	0.0556	1	EPA 8270D Certifications: CTDOH,NELAC-NY10854,NJDEP,PADEP	10/26/2016 14:53	10/27/2016 11:07	SR
208-96-8	Acenaphthylene	ND		ug/L	0.0556	0.0556	1	EPA 8270D Certifications: CTDOH,NELAC-NY10854,NJDEP,PADEP	10/26/2016 14:53	10/27/2016 11:07	SR
98-86-2	Acetophenone	ND		ug/L	2.78	5.56	1	EPA 8270D Certifications: NELAC-NY10854,NJDEP,PADEP	10/26/2016 14:53	10/27/2016 11:43	KH
62-53-3	Aniline	ND		ug/L	2.78	5.56	1	EPA 8270D Certifications: NELAC-NY10854,NJDEP,PADEP	10/26/2016 14:53	10/27/2016 11:43	KH
120-12-7	Anthracene	ND		ug/L	0.0556	0.0556	1	EPA 8270D Certifications: CTDOH,NELAC-NY10854,NJDEP,PADEP	10/26/2016 14:53	10/27/2016 11:07	SR
1912-24-9	Atrazine	ND		ug/L	0.556	0.556	1	EPA 8270D Certifications: NELAC-NY10854,NJDEP,PADEP	10/26/2016 14:53	10/27/2016 11:07	SR
100-52-7	Benzaldehyde	ND		ug/L	2.78	5.56	1	EPA 8270D Certifications: NELAC-NY10854,NJDEP,PADEP	10/26/2016 14:53	10/27/2016 11:43	KH
92-87-5	Benzidine	ND		ug/L	11.1	22.2	1	EPA 8270D Certifications: CTDOH,NELAC-NY10854,NJDEP,PADEP	10/26/2016 14:53	10/27/2016 11:43	KH
56-55-3	Benzo(a)anthracene	ND		ug/L	0.0556	0.0556	1	EPA 8270D Certifications: CTDOH,NELAC-NY10854,NJDEP,PADEP	10/26/2016 14:53	10/27/2016 11:07	SR
50-32-8	Benzo(a)pyrene	ND		ug/L	0.0556	0.0556	1	EPA 8270D Certifications: CTDOH,NELAC-NY10854,NJDEP,PADEP	10/26/2016 14:53	10/27/2016 11:07	SR
205-99-2	Benzo(b)fluoranthene	ND		ug/L	0.0556	0.0556	1	EPA 8270D Certifications: CTDOH,NELAC-NY10854,NJDEP,PADEP	10/26/2016 14:53	10/27/2016 11:07	SR
191-24-2	Benzo(g,h,i)perylene	ND		ug/L	0.0556	0.0556	1	EPA 8270D Certifications: CTDOH,NELAC-NY10854,NJDEP,PADEP	10/26/2016 14:53	10/27/2016 11:07	SR
207-08-9	Benzo(k)fluoranthene	ND		ug/L	0.0556	0.0556	1	EPA 8270D Certifications: CTDOH,NELAC-NY10854,NJDEP,PADEP	10/26/2016 14:53	10/27/2016 11:07	SR



Sample Information

Client Sample ID: TWP-01

York Sample ID: 16J0789-01

York Project (SDG) No.
16J0789

Client Project ID
95th str sewer/water OEGS 15-008-0265

Matrix
Water

Collection Date/Time
October 21, 2016 10:30 am

Date Received
10/21/2016

Semi-Volatiles, 8270 - Comprehensive

Log-in Notes:

Sample Notes:

Sample Prepared by Method: EPA 3510C

CAS No.	Parameter	Result	Flag	Units	Reported to LOD/MDL	LOQ	Dilution	Reference Method	Date/Time Prepared	Date/Time Analyzed	Analyst
65-85-0	Benzoic acid	ND		ug/L	27.8	55.6	1	EPA 8270D Certifications: NELAC-NY10854,NJDEP,PADEP	10/26/2016 14:53	10/27/2016 11:43	KH
100-51-6	Benzyl alcohol	ND		ug/L	2.78	5.56	1	EPA 8270D Certifications: NELAC-NY10854,NJDEP,PADEP	10/26/2016 14:53	10/27/2016 11:43	KH
85-68-7	Benzyl butyl phthalate	ND		ug/L	2.78	5.56	1	EPA 8270D Certifications: CTDOH,NELAC-NY10854,NJDEP,PADEP	10/26/2016 14:53	10/27/2016 11:43	KH
111-91-1	Bis(2-chloroethoxy)methane	ND		ug/L	2.78	5.56	1	EPA 8270D Certifications: CTDOH,NELAC-NY10854,NJDEP,PADEP	10/26/2016 14:53	10/27/2016 11:43	KH
111-44-4	Bis(2-chloroethyl)ether	ND		ug/L	2.78	5.56	1	EPA 8270D Certifications: CTDOH,NELAC-NY10854,NJDEP,PADEP	10/26/2016 14:53	10/27/2016 11:43	KH
108-60-1	Bis(2-chloroisopropyl)ether	ND		ug/L	2.78	5.56	1	EPA 8270D Certifications: CTDOH,NELAC-NY10854,NJDEP,PADEP	10/26/2016 14:53	10/27/2016 11:43	KH
117-81-7	Bis(2-ethylhexyl)phthalate	ND		ug/L	0.556	0.556	1	EPA 8270D Certifications: CTDOH,NELAC-NY10854,NJDEP,PADEP	10/26/2016 14:53	10/27/2016 11:07	SR
77-47-4	Caprolactam	ND		ug/L	2.78	5.56	1	EPA 8270D Certifications: NELAC-NY10854,NJDEP,PADEP	10/26/2016 14:53	10/27/2016 11:43	KH
86-74-8	Carbazole	ND		ug/L	2.78	5.56	1	EPA 8270D Certifications: CTDOH,NELAC-NY10854,NJDEP,PADEP	10/26/2016 14:53	10/27/2016 11:43	KH
87-68-3	Hexachlorobutadiene	ND		ug/L	0.556	0.556	1	EPA 8270D Certifications: CTDOH,NELAC-NY10854,NJDEP,PADEP	10/26/2016 14:53	10/27/2016 11:07	SR
218-01-9	Chrysene	ND		ug/L	0.0556	0.0556	1	EPA 8270D Certifications: CTDOH,NELAC-NY10854,NJDEP,PADEP	10/26/2016 14:53	10/27/2016 11:07	SR
53-70-3	Dibenzo(a,h)anthracene	ND		ug/L	0.0556	0.0556	1	EPA 8270D Certifications: CTDOH,NELAC-NY10854,NJDEP,PADEP	10/26/2016 14:53	10/27/2016 11:07	SR
132-64-9	Dibenzofuran	ND		ug/L	2.78	5.56	1	EPA 8270D Certifications: CTDOH,NELAC-NY10854,NJDEP,PADEP	10/26/2016 14:53	10/27/2016 11:43	KH
84-66-2	Diethyl phthalate	ND		ug/L	2.78	5.56	1	EPA 8270D Certifications: CTDOH,NELAC-NY10854,NJDEP,PADEP	10/26/2016 14:53	10/27/2016 11:43	KH
131-11-3	Dimethyl phthalate	ND		ug/L	2.78	5.56	1	EPA 8270D Certifications: CTDOH,NELAC-NY10854,NJDEP,PADEP	10/26/2016 14:53	10/27/2016 11:43	KH
84-74-2	Di-n-butyl phthalate	ND		ug/L	2.78	5.56	1	EPA 8270D Certifications: CTDOH,NELAC-NY10854,NJDEP,PADEP	10/26/2016 14:53	10/27/2016 11:43	KH
117-84-0	Di-n-octyl phthalate	ND		ug/L	2.78	5.56	1	EPA 8270D Certifications: CTDOH,NELAC-NY10854,NJDEP,PADEP	10/26/2016 14:53	10/27/2016 11:43	KH
91-20-3	Naphthalene	ND		ug/L	0.0556	0.0556	1	EPA 8270D Certifications: CTDOH,NELAC-NY10854,NJDEP,PADEP	10/26/2016 14:53	10/27/2016 11:07	SR
206-44-0	Fluoranthene	ND		ug/L	0.0556	0.0556	1	EPA 8270D Certifications: CTDOH,NELAC-NY10854,NJDEP,PADEP	10/26/2016 14:53	10/27/2016 11:07	SR
86-73-7	Fluorene	ND		ug/L	0.0556	0.0556	1	EPA 8270D Certifications: NELAC-NY10854,NJDEP,PADEP	10/26/2016 14:53	10/27/2016 11:07	SR
119-74-1	Hexashlorobenzene	ND		ug/L	0.0222	0.0222	1	EPA 8270D Certifications: CTDOH,NELAC-NY10854,NJDEP,PADEP	10/26/2016 14:53	10/27/2016 11:07	SR
77-47-4	Hexachlorocyclopentadiene	ND		ug/L	2.78	5.56	1	EPA 8270D Certifications: CTDOH,NELAC-NY10854,NJDEP,PADEP	10/26/2016 14:53	10/27/2016 11:43	KH



Sample Information

Client Sample ID: TWP-01 **York Sample ID:** 16J0789-01
York Project (SDG) No.: 16J0789 **Client Project ID:** 95th str sewer/water OEGS 15-008-0265 **Matrix:** Water **Collection Date/Time:** October 21, 2016 10:30 am **Date Received:** 10/21/2016

Semi-Volatiles, 8270 - Comprehensive

Log-in Notes:

Sample Notes:

Sample Prepared by Method: EPA 3510C

CAS No.	Parameter	Result	Flag	Units	Reported to LOD/MDL	LOQ	Dilution	Reference Method	Date/Time Prepared	Date/Time Analyzed	Analyst
67-72-1	Hexachloroethane	ND		ug/L	0.556	0.556	1	EPA 8270D Certifications: CTDOH,NELAC-NY10854,NJDEP,PADEP	10/26/2016 14:53	10/27/2016 11:07	SR
193-39-5	Indeno(1,2,3-cd)pyrene	ND		ug/L	0.0556	0.0556	1	EPA 8270D Certifications: CTDOH,NELAC-NY10854,NJDEP,PADEP	10/26/2016 14:53	10/27/2016 11:07	SR
78-59-1	Isophorone	ND		ug/L	2.78	5.56	1	EPA 8270D Certifications: CTDOH,NELAC-NY10854,NJDEP,PADEP	10/26/2016 14:53	10/27/2016 11:43	KH
98-95-3	Nitrobenzene	ND		ug/L	0.278	0.278	1	EPA 8270D Certifications: CTDOH,NELAC-NY10854,NJDEP,PADEP	10/26/2016 14:53	10/27/2016 11:07	SR
62-75-9	N-Nitrosodimethylamine	ND		ug/L	0.556	0.556	1	EPA 8270D Certifications: CTDOH,NELAC-NY10854,NJDEP,PADEP	10/26/2016 14:53	10/27/2016 11:07	SR
621-64-7	N-nitroso-di-n-propylamine	ND		ug/L	2.78	5.56	1	EPA 8270D Certifications: CTDOH,NELAC-NY10854,NJDEP,PADEP	10/26/2016 14:53	10/27/2016 11:43	KH
86-30-6	N-Nitrosodiphenylamine	ND		ug/L	2.78	5.56	1	EPA 8270D Certifications: CTDOH,NELAC-NY10854,NJDEP,PADEP	10/26/2016 14:53	10/27/2016 11:43	KH
87-86-5	Pentachlorophenol	ND		ug/L	0.278	0.278	1	EPA 8270D Certifications: CTDOH,NELAC-NY10854,NJDEP,PADEP	10/26/2016 14:53	10/27/2016 11:07	SR
85-01-8	Phenanthrene	ND		ug/L	0.0556	0.0556	1	EPA 8270D Certifications: CTDOH,NELAC-NY10854,NJDEP,PADEP	10/26/2016 14:53	10/27/2016 11:07	SR
108-95-2	Phenol	ND		ug/L	2.78	5.56	1	EPA 8270D Certifications: CTDOH,NELAC-NY10854,NJDEP,PADEP	10/26/2016 14:53	10/27/2016 11:43	KH
129-00-0	Pyrene	ND		ug/L	0.0556	0.0556	1	EPA 8270D Certifications: CTDOH,NELAC-NY10854,NJDEP,PADEP	10/26/2016 14:53	10/27/2016 11:07	SR

Surrogate Recoveries

Result

Acceptance Range

367-12-4	Surrogate: 2-Fluorophenol	34.5 %			12-64
4165-62-2	Surrogate: Phenol-d5	30.5 %			10-82
4165-60-0	Surrogate: Nitrobenzene-d5	63.9 %			12-96
321-60-8	Surrogate: 2-Fluorobiphenyl	67.2 %			16-84
118-79-6	Surrogate: 2,4,6-Tribromophenol	108 %	S-08		15-104
1718-51-0	Surrogate: Terphenyl-d14	77.0 %			15-106

Semi-Volatiles, NYCDEP Sewer Discharge List

Log-in Notes:

Sample Notes:

Sample Prepared by Method: EPA 3510C

CAS No.	Parameter	Result	Flag	Units	Reported to LOD/MDL	LOQ	Dilution	Reference Method	Date/Time Prepared	Date/Time Analyzed	Analyst
120-82-1	1,2,4-Trichlorobenzene	ND		ug/L	3.04	5.56	1	EPA 625 Certifications: CTDOH,NELAC-NY10854,NJDEP,PADEP	10/26/2016 14:53	10/27/2016 11:43	KH
91-20-3	Naphthalene	ND		ug/L	2.93	5.56	1	EPA 625 Certifications: CTDOH,NELAC-NY10854,NJDEP,PADEP	10/26/2016 14:53	10/27/2016 11:43	KH

Surrogate Recoveries

Result

Acceptance Range

4165-60-0	Surrogate: Nitrobenzene-d5	63.9 %			12-96
321-60-8	Surrogate: 2-Fluorobiphenyl	67.2 %			16-84
1718-51-0	Surrogate: Terphenyl-d14	77.0 %			15-106



Sample Information

Client Sample ID: TWP-01

York Sample ID: 16J0789-01

York Project (SDG) No.
16J0789

Client Project ID
95th str sewer/water OEGS 15-008-0265

Matrix
Water

Collection Date/Time
October 21, 2016 10:30 am

Date Received
10/21/2016

Pesticides, EPA TCL List

Log-in Notes:

Sample Notes:

Sample Prepared by Method: EPA SW846-3510C Low Level

CAS No.	Parameter	Result	Flag	Units	LOD/MDL	Reported to LOQ	Dilution	Reference Method	Date/Time Prepared	Date/Time Analyzed	Analyst
72-54-8	4,4'-DDD	ND		ug/L	0.00444	0.00444	1	EPA 8081B Certifications: CTDOH,NELAC-NY10854,NJDEP,PADEP	10/26/2016 06:21	10/26/2016 13:53	AMC
72-55-9	4,4'-DDE	ND		ug/L	0.00444	0.00444	1	EPA 8081B Certifications: CTDOH,NELAC-NY10854,NJDEP,PADEP	10/26/2016 06:21	10/26/2016 13:53	AMC
50-29-3	4,4'-DDT	ND		ug/L	0.00444	0.00444	1	EPA 8081B Certifications: CTDOH,NELAC-NY10854,NJDEP,PADEP	10/26/2016 06:21	10/26/2016 13:53	AMC
309-00-2	Aldrin	ND		ug/L	0.00444	0.00444	1	EPA 8081B Certifications: CTDOH,NELAC-NY10854,NJDEP,PADEP	10/26/2016 06:21	10/26/2016 13:53	AMC
319-84-6	alpha-BHC	ND		ug/L	0.00444	0.00444	1	EPA 8081B Certifications: CTDOH,NELAC-NY10854,NJDEP,PADEP	10/26/2016 06:21	10/26/2016 13:53	AMC
319-85-7	beta-BHC	ND		ug/L	0.00444	0.00444	1	EPA 8081B Certifications: CTDOH,NELAC-NY10854,NJDEP,PADEP	10/26/2016 06:21	10/26/2016 13:53	AMC
57-74-9	Chlordane, total	ND		ug/L	0.0222	0.0222	1	EPA 8081B Certifications: CTDOH,NELAC-NY10854,NJDEP,PADEP	10/26/2016 06:21	10/26/2016 13:53	AMC
319-86-8	delta-BHC	ND		ug/L	0.00444	0.00444	1	EPA 8081B Certifications: CTDOH,NELAC-NY10854,NJDEP,PADEP	10/26/2016 06:21	10/26/2016 13:53	AMC
60-57-1	Dieldrin	ND		ug/L	0.00222	0.00222	1	EPA 8081B Certifications: CTDOH,NELAC-NY10854,NJDEP,PADEP	10/26/2016 06:21	10/26/2016 13:53	AMC
959-98-8	Endosulfan I	ND		ug/L	0.00444	0.00444	1	EPA 8081B Certifications: CTDOH,NELAC-NY10854,NJDEP,PADEP	10/26/2016 06:21	10/26/2016 13:53	AMC
33213-65-9	Endosulfan II	ND		ug/L	0.00444	0.00444	1	EPA 8081B Certifications: CTDOH,NELAC-NY10854,NJDEP,PADEP	10/26/2016 06:21	10/26/2016 13:53	AMC
1031-07-8	Endosulfan sulfate	ND		ug/L	0.00444	0.00444	1	EPA 8081B Certifications: CTDOH,NELAC-NY10854,NJDEP,PADEP	10/26/2016 06:21	10/26/2016 13:53	AMC
72-20-8	Endrin	ND		ug/L	0.00444	0.00444	1	EPA 8081B Certifications: CTDOH,NELAC-NY10854,NJDEP,PADEP	10/26/2016 06:21	10/26/2016 13:53	AMC
7421-93-4	Endrin aldehyde	ND		ug/L	0.0111	0.0111	1	EPA 8081B Certifications: CTDOH,NELAC-NY10854,NJDEP,PADEP	10/26/2016 06:21	10/26/2016 13:53	AMC
53494-70-5	Endrin ketone	ND		ug/L	0.0111	0.0111	1	EPA 8081B Certifications: CTDOH,NELAC-NY10854,NJDEP,PADEP	10/26/2016 06:21	10/26/2016 13:53	AMC
58-89-9	gamma-BHC (Lindane)	ND		ug/L	0.00444	0.00444	1	EPA 8081B Certifications: CTDOH,NELAC-NY10854,NJDEP,PADEP	10/26/2016 06:21	10/26/2016 13:53	AMC
76-44-8	Heptachlor	ND		ug/L	0.00444	0.00444	1	EPA 8081B Certifications: CTDOH,NELAC-NY10854,NJDEP,PADEP	10/26/2016 06:21	10/26/2016 13:53	AMC
1024-57-3	Heptachlor epoxide	ND		ug/L	0.00444	0.00444	1	EPA 8081B Certifications: CTDOH,NELAC-NY10854,NJDEP,PADEP	10/26/2016 06:21	10/26/2016 13:53	AMC
72-43-5	Methoxychlor	ND		ug/L	0.00444	0.00444	1	EPA 8081B Certifications: CTDOH,NELAC-NY10854,NJDEP,PADEP	10/26/2016 06:21	10/26/2016 13:53	AMC
8001-35-2	Toxaphene	ND		ug/L	0.111	0.111	1	EPA 8081B Certifications: CTDOH,NELAC-NY10854,NJDEP,PADEP	10/26/2016 06:21	10/26/2016 13:53	AMC

Surrogate Recoveries

Result

Acceptance Range

109-8 Surrogate: Tetrachloro-m-xylene

52.9 %

30-120

2051-24-3 Surrogate: Decachlorobiphenyl

43.6 %

30-120

HAZ-109



Sample Information

Client Sample ID: TWP-01 **York Sample ID:** 16J0789-01
York Project (SDG) No. 16J0789 **Client Project ID** 95th str sewer/water OEGS 15-008-0265 **Matrix** Water **Collection Date/Time** October 21, 2016 10:30 am **Date Received** 10/21/2016

PCB (Polychlorinated Biphenyls)

Log-in Notes:

Sample Notes:

Sample Prepared by Method: EPA SW846-3510C Low Level

CAS No.	Parameter	Result	Flag	Units	LOD/MDL	Reported to LOQ	Dilution	Reference Method	Date/Time Prepared	Date/Time Analyzed	Analyst
12674-11-2	Aroclor 1016	ND		ug/L	0.0522	0.0556	1	EPA 608 Certifications: CTDOH,NELAC-NY10854,NJDEP,PADEP	10/26/2016 06:21	10/26/2016 18:43	AMC
11104-28-2	Aroclor 1221	ND		ug/L	0.0522	0.0556	1	EPA 608 Certifications: CTDOH,NELAC-NY10854,NJDEP,PADEP	10/26/2016 06:21	10/26/2016 18:43	AMC
11141-16-5	Aroclor 1232	ND		ug/L	0.0522	0.0556	1	EPA 608 Certifications: CTDOH,NELAC-NY10854,NJDEP,PADEP	10/26/2016 06:21	10/26/2016 18:43	AMC
53469-21-9	Aroclor 1242	ND		ug/L	0.0522	0.0556	1	EPA 608 Certifications: CTDOH,NELAC-NY10854,NJDEP,PADEP	10/26/2016 06:21	10/26/2016 18:43	AMC
12672-29-6	Aroclor 1248	ND		ug/L	0.0489	0.0556	1	EPA 608 Certifications: CTDOH,NELAC-NY10854,NJDEP,PADEP	10/26/2016 06:21	10/26/2016 18:43	AMC
11097-69-1	Aroclor 1254	ND		ug/L	0.0489	0.0556	1	EPA 608 Certifications: CTDOH,NELAC-NY10854,NJDEP,PADEP	10/26/2016 06:21	10/26/2016 18:43	AMC
11096-82-5	Aroclor 1260	ND		ug/L	0.0489	0.0556	1	EPA 608 Certifications: CTDOH,NELAC-NY10854,NJDEP,PADEP	10/26/2016 06:21	10/26/2016 18:43	AMC
1336-36-3	* Total PCBs	ND		ug/L	0.0489	0.0556	1	EPA 608 Certifications: PADEP	10/26/2016 06:21	10/26/2016 18:43	AMC
Surrogate Recoveries		Result			Acceptance Range						
877-09-8	Surrogate: Tetrachloro-m-xylene	65.0 %			30-120						
2051-24-3	Surrogate: Decachlorobiphenyl	65.5 %			30-120						

Polychlorinated Biphenyls (PCB)

Log-in Notes:

Sample Notes:

Sample Prepared by Method: EPA SW846-3510C Low Level

CAS No.	Parameter	Result	Flag	Units	LOD/MDL	Reported to LOQ	Dilution	Reference Method	Date/Time Prepared	Date/Time Analyzed	Analyst
12674-11-2	Aroclor 1016	ND		ug/L	0.0556	0.0556	1	EPA 8082A Certifications: NELAC-NY10854,CTDOH,NJDEP,PADEP	10/26/2016 06:21	10/26/2016 18:43	AMC
11104-28-2	Aroclor 1221	ND		ug/L	0.0556	0.0556	1	EPA 8082A Certifications: NELAC-NY10854,CTDOH,NJDEP,PADEP	10/26/2016 06:21	10/26/2016 18:43	AMC
11141-16-5	Aroclor 1232	ND		ug/L	0.0556	0.0556	1	EPA 8082A Certifications: NELAC-NY10854,CTDOH,NJDEP,PADEP	10/26/2016 06:21	10/26/2016 18:43	AMC
53469-21-9	Aroclor 1242	ND		ug/L	0.0556	0.0556	1	EPA 8082A Certifications: NELAC-NY10854,CTDOH,NJDEP,PADEP	10/26/2016 06:21	10/26/2016 18:43	AMC
12672-29-6	Aroclor 1248	ND		ug/L	0.0556	0.0556	1	EPA 8082A Certifications: NELAC-NY10854,CTDOH,NJDEP,PADEP	10/26/2016 06:21	10/26/2016 18:43	AMC
11097-69-1	Aroclor 1254	ND		ug/L	0.0556	0.0556	1	EPA 8082A Certifications: NELAC-NY10854,CTDOH,NJDEP,PADEP	10/26/2016 06:21	10/26/2016 18:43	AMC
11096-82-5	Aroclor 1260	ND		ug/L	0.0556	0.0556	1	EPA 8082A Certifications: NELAC-NY10854,CTDOH,NJDEP,PADEP	10/26/2016 06:21	10/26/2016 18:43	AMC
1336-36-3	* Total PCBs	ND		ug/L	0.0556	0.0556	1	EPA 8082A Certifications:	10/26/2016 06:21	10/26/2016 18:43	AMC
Surrogate Recoveries		Result			Acceptance Range						
877-09-8	Surrogate: Tetrachloro-m-xylene	65.0 %			30-120						
2051-24-3	Surrogate: Decachlorobiphenyl	65.5 %			30-120						

HAZ-110



Sample Information

Client Sample ID: TWP-01 **York Sample ID:** 16J0789-01
York Project (SDG) No. 16J0789 **Client Project ID** 95th str sewer/water OEGS 15-008-0265 **Matrix** Water **Collection Date/Time** October 21, 2016 10:30 am **Date Received** 10/21/2016

Cadmium by EPA 200.7

Log-in Notes:

Sample Notes:

Sample Prepared by Method: EPA 3015A

CAS No.	Parameter	Result	Flag	Units	LOD/MDL	Reported to LOQ	Dilution	Reference Method	Date/Time Prepared	Date/Time Analyzed	Analyst
7440-43-9	Cadmium	ND		mg/L	0.00278	0.00333	1	EPA 200.7	10/24/2016 11:12	10/24/2016 15:54	KV
								Certifications:	CTDOH,NELAC-NY10854,NJDEP,PADEP		

Copper by EPA 200.7

Log-in Notes:

Sample Notes:

Sample Prepared by Method: EPA 3015A

CAS No.	Parameter	Result	Flag	Units	LOD/MDL	Reported to LOQ	Dilution	Reference Method	Date/Time Prepared	Date/Time Analyzed	Analyst
7440-50-8	Copper	0.0153		mg/L	0.00111	0.00333	1	EPA 200.7	10/24/2016 11:12	10/24/2016 15:54	KV
								Certifications:	CTDOH,NELAC-NY10854,NJDEP,PADEP		

Lead by EPA 200.7

Log-in Notes:

Sample Notes:

Sample Prepared by Method: EPA 3015A

CAS No.	Parameter	Result	Flag	Units	LOD/MDL	Reported to LOQ	Dilution	Reference Method	Date/Time Prepared	Date/Time Analyzed	Analyst
99-92-1	Lead	ND		mg/L	0.00144	0.00333	1	EPA 200.7	10/24/2016 11:12	10/24/2016 15:54	KV
								Certifications:	CTDOH,NELAC-NY10854,NJDEP,PADEP		

Metals, Target Analyte, ICP

Log-in Notes:

Sample Notes:

Sample Prepared by Method: EPA 3015A

CAS No.	Parameter	Result	Flag	Units	LOD/MDL	Reported to LOQ	Dilution	Reference Method	Date/Time Prepared	Date/Time Analyzed	Analyst
7429-90-5	Aluminum	1.57		mg/L	0.0556	0.0556	1	EPA 6010C	10/24/2016 11:12	10/24/2016 15:54	KV
								Certifications:	CTDOH,NELAC-NY10854,NJDEP,PADEP		
7440-39-3	Barium	ND		mg/L	0.0111	0.0111	1	EPA 6010C	10/24/2016 11:12	10/24/2016 15:54	KV
								Certifications:	CTDOH,NELAC-NY10854,NJDEP,PADEP		
7440-70-2	Calcium	38.6		mg/L	0.0556	0.0556	1	EPA 6010C	10/24/2016 11:12	10/24/2016 15:54	KV
								Certifications:	CTDOH,NELAC-NY10854,NJDEP,PADEP		
7440-47-3	Chromium	ND		mg/L	0.00556	0.00556	1	EPA 6010C	10/24/2016 11:12	10/24/2016 15:54	KV
								Certifications:	CTDOH,NELAC-NY10854,NJDEP,PADEP		
7440-50-8	Copper	0.0153		mg/L	0.00333	0.00333	1	EPA 6010C	10/24/2016 11:12	10/24/2016 15:54	KV
								Certifications:	CTDOH,NELAC-NY10854,NJDEP,PADEP		
7439-89-6	Iron	15.7		mg/L	0.0222	0.0222	1	EPA 6010C	10/24/2016 11:12	10/24/2016 15:54	KV
								Certifications:	CTDOH,NELAC-NY10854,NJDEP,PADEP		
7439-92-1	Lead	ND		mg/L	0.00333	0.00333	1	EPA 6010C	10/24/2016 11:12	10/24/2016 15:54	KV
								Certifications:	CTDOH,NELAC-NY10854,NJDEP,PADEP		
7439-95-4	Magnesium	19.4		mg/L	0.0556	0.0556	1	EPA 6010C	10/24/2016 11:12	10/24/2016 15:54	KV
								Certifications:	CTDOH,NELAC-NY10854,NJDEP,PADEP		
7439-96-5	Manganese	0.173		mg/L	0.00556	0.00556	1	EPA 6010C	10/24/2016 11:12	10/24/2016 15:54	KV
								Certifications:	CTDOH,NELAC-NY10854,NJDEP,PADEP		
7440-02-0	Nickel	0.0141		mg/L	0.00556	0.00556	1	EPA 6010C	10/24/2016 11:12	10/24/2016 15:54	KV
								Certifications:	CTDOH,NELAC-NY10854,NJDEP,PADEP		
7440-09-7	Potassium	11.3		mg/L	0.0556	0.0556	1	EPA 6010C	10/24/2016 11:12	10/24/2016 15:54	KV
								Certifications:	CTDOH,NELAC-NY10854,NJDEP,PADEP		
7439-99-2	Selenium	ND		mg/L	0.0111	0.0111	1	EPA 6010C	10/24/2016 11:12	10/24/2016 15:54	KV
								Certifications:	CTDOH,NELAC-NY10854,NJDEP,PADEP		

HAZ-111



Sample Information

Client Sample ID: TWP-01

York Sample ID: 16J0789-01

York Project (SDG) No.
16J0789

Client Project ID
95th str sewer/water OEGS 15-008-0265

Matrix
Water

Collection Date/Time
October 21, 2016 10:30 am

Date Received
10/21/2016

Metals, Target Analyte, ICP

Log-in Notes:

Sample Notes:

Sample Prepared by Method: EPA 3015A

CAS No.	Parameter	Result	Flag	Units	LOD/MDL	Reported to LOQ	Dilution	Reference Method	Date/Time Prepared	Date/Time Analyzed	Analyst
7440-22-4	Silver	ND		mg/L	0.00556	0.00556	1	EPA 6010C Certifications: CTDOH,NELAC-NY10854,NJDEP,PADEP	10/24/2016 11:12	10/24/2016 15:54	KV
7440-23-5	Sodium	319		mg/L	0.111	0.111	1	EPA 6010C Certifications: CTDOH,NELAC-NY10854,NJDEP,PADEP	10/24/2016 11:12	10/24/2016 15:54	KV
7440-62-2	Vanadium	ND		mg/L	0.0111	0.0111	1	EPA 6010C Certifications: CTDOH,NELAC-NY10854,NJDEP,PADEP	10/24/2016 11:12	10/24/2016 15:54	KV
7440-66-6	Zinc	0.0338		mg/L	0.0111	0.0111	1	EPA 6010C Certifications: CTDOH,NELAC-NY10854,NJDEP,PADEP	10/24/2016 11:12	10/24/2016 15:54	KV

Metals, Target Analyte, ICP Dissolved

Log-in Notes:

Sample Notes:

Sample Prepared by Method: EPA 3015A

CAS No.	Parameter	Result	Flag	Units	LOD/MDL	Reported to LOQ	Dilution	Reference Method	Date/Time Prepared	Date/Time Analyzed	Analyst
7429-90-5	Aluminum	ND		mg/L	0.0556	0.0556	1	EPA 6010C Certifications: CTDOH,NELAC-NY10854,NJDEP,PADEP	10/27/2016 11:21	10/27/2016 15:16	KV
7440-39-3	Barium	ND		mg/L	0.0111	0.0111	1	EPA 6010C Certifications: CTDOH,NELAC-NY10854,NJDEP,PADEP	10/27/2016 11:21	10/27/2016 15:16	KV
7440-70-2	Calcium	49.7		mg/L	0.0556	0.0556	1	EPA 6010C Certifications: CTDOH,NELAC-NY10854,NJDEP,PADEP	10/27/2016 11:21	10/27/2016 15:16	KV
7440-47-3	Chromium	ND		mg/L	0.00556	0.00556	1	EPA 6010C Certifications: CTDOH,NELAC-NY10854,NJDEP,PADEP	10/27/2016 11:21	10/27/2016 15:16	KV
7440-50-8	Copper	0.0273		mg/L	0.00333	0.00333	1	EPA 6010C Certifications: CTDOH,NELAC-NY10854,NJDEP,PADEP	10/27/2016 11:21	10/27/2016 15:16	KV
7439-89-6	Iron	16.7		mg/L	0.0222	0.0222	1	EPA 6010C Certifications: CTDOH,NELAC-NY10854,NJDEP,PADEP	10/27/2016 11:21	10/27/2016 15:16	KV
7439-92-1	Lead	ND		mg/L	0.00333	0.00333	1	EPA 6010C Certifications: CTDOH,NELAC-NY10854,NJDEP,PADEP	10/27/2016 11:21	10/27/2016 15:16	KV
7439-95-4	Magnesium	24.9		mg/L	0.0556	0.0556	1	EPA 6010C Certifications: CTDOH,NELAC-NY10854,NJDEP,PADEP	10/27/2016 11:21	10/27/2016 15:16	KV
7439-96-5	Manganese	0.216		mg/L	0.00556	0.00556	1	EPA 6010C Certifications: CTDOH,NELAC-NY10854,NJDEP,PADEP	10/27/2016 11:21	10/27/2016 15:16	KV
7440-02-0	Nickel	ND		mg/L	0.00556	0.00556	1	EPA 6010C Certifications: CTDOH,NELAC-NY10854,NJDEP,PADEP	10/27/2016 11:21	10/27/2016 15:16	KV
7440-09-7	Potassium	15.1		mg/L	0.0556	0.0556	1	EPA 6010C Certifications: CTDOH,NELAC-NY10854,NJDEP,PADEP	10/27/2016 11:21	10/27/2016 15:16	KV
7440-22-4	Silver	ND		mg/L	0.00556	0.00556	1	EPA 6010C Certifications: CTDOH,NELAC-NY10854,NJDEP,PADEP	10/27/2016 11:21	10/27/2016 15:16	KV
7440-23-5	Sodium	413		mg/L	0.111	0.111	1	EPA 6010C Certifications: CTDOH,NELAC-NY10854,NJDEP,PADEP	10/27/2016 11:21	10/27/2016 15:16	KV
7440-62-2	Vanadium	ND		mg/L	0.0111	0.0111	1	EPA 6010C Certifications: CTDOH,NELAC-NY10854,NJDEP,PADEP	10/27/2016 11:21	10/27/2016 15:16	KV
7440-66-6	Zinc	0.0207		mg/L	0.0111	0.0111	1	EPA 6010C Certifications: CTDOH,NELAC-NY10854,NJDEP,PADEP	10/27/2016 11:21	10/27/2016 15:16	KV

Nickel by EPA 200.7

Log-in Notes:

Sample Notes:

HAZ-112



Sample Information

Client Sample ID: TWP-01

York Sample ID: 16J0789-01

York Project (SDG) No. 16J0789

Client Project ID 95th str sewer/water OEGS 15-008-0265

Matrix Water

Collection Date/Time October 21, 2016 10:30 am

Date Received 10/21/2016

Sample Prepared by Method: EPA 3015A

Table with 12 columns: CAS No., Parameter, Result, Flag, Units, LOD/MDL, Reported to LOQ, Dilution, Reference Method, Date/Time Prepared, Date/Time Analyzed, Analyst. Row 1: Nickel, 0.0141, mg/L, 0.00111, 0.00556, 1, EPA 200.7, 10/24/2016 11:12, 10/24/2016 15:54, KV.

Zinc by EPA 200.7

Log-in Notes:

Sample Notes:

Sample Prepared by Method: EPA 3015A

Table with 12 columns: CAS No., Parameter, Result, Flag, Units, LOD/MDL, Reported to LOQ, Dilution, Reference Method, Date/Time Prepared, Date/Time Analyzed, Analyst. Row 1: Zinc, 0.0338, mg/L, 0.00256, 0.0111, 1, EPA 200.7, 10/24/2016 11:12, 10/24/2016 15:54, KV.

Metals, Target Analyte, ICPMS

Log-in Notes:

Sample Notes:

Sample Prepared by Method: EPA 3015A

Table with 12 columns: CAS No., Parameter, Result, Flag, Units, LOD/MDL, Reported to LOQ, Dilution, Reference Method, Date/Time Prepared, Date/Time Analyzed, Analyst. Rows include Antimony (ND), Arsenic (2.80), Beryllium (ND), Cadmium (ND), Molybdenum (ND), Selenium (8.62), Thallium (ND).

Metals, Target Analyte, ICPMS Dissolved

Log-in Notes:

Sample Notes:

Sample Prepared by Method: EPA 3015A

Table with 12 columns: CAS No., Parameter, Result, Flag, Units, LOD/MDL, Reported to LOQ, Dilution, Reference Method, Date/Time Prepared, Date/Time Analyzed, Analyst. Rows include Antimony (ND), Arsenic (ND), Beryllium (ND), Cadmium (ND), Molybdenum (ND), Selenium (ND), Thallium (ND).

HAZ-113



Sample Information

Client Sample ID: TWP-01 **York Sample ID:** 16J0789-01
York Project (SDG) No.: 16J0789 **Client Project ID:** 95th str sewer/water OEGS 15-008-0265 **Matrix:** Water **Collection Date/Time:** October 21, 2016 10:30 am **Date Received:** 10/21/2016

Mercury by 7473

Log-in Notes:

Sample Notes:

Sample Prepared by Method: EPA 7473 water

CAS No.	Parameter	Result	Flag	Units	LOD/MDL	Reported to LOQ	Dilution	Reference Method	Date/Time Prepared	Date/Time Analyzed	Analyst
7439-97-6	Mercury	ND		mg/L	0.00020	0.00020	1	EPA 7473 Certifications: CTDOH,NELAC-NY10854,NJDEP,PADEP	10/25/2016 06:37	10/26/2016 13:25	ALD

Mercury by 7473, Dissolved

Log-in Notes:

Sample Notes:

Sample Prepared by Method: EPA 7473 water

CAS No.	Parameter	Result	Flag	Units	LOD/MDL	Reported to LOQ	Dilution	Reference Method	Date/Time Prepared	Date/Time Analyzed	Analyst
7439-97-6	Mercury	ND		mg/L	0.00020	0.00020	1	EPA 7473 Certifications: CTDOH,NELAC-NY10854,NJDEP,PADEP	10/25/2016 06:37	10/26/2016 13:25	ALD

Mercury by EPA 245.1

Log-in Notes:

Sample Notes:

Sample Prepared by Method: EPA 245.1 Mercury

CAS No.	Parameter	Result	Flag	Units	LOD/MDL	Reported to LOQ	Dilution	Reference Method	Date/Time Prepared	Date/Time Analyzed	Analyst
7439-97-6	Mercury	ND		mg/L	0.00009500	0.000200	1	EPA 245.1 Certifications: CTDOH,NELAC-NY10854,NJDEP,PADEP	10/24/2016 19:59	10/24/2016 19:59	AA

Flashpoint

Log-in Notes:

Sample Notes:

Sample Prepared by Method: Analysis Preparation

CAS No.	Parameter	Result	Flag	Units	LOD/MDL	Reported to LOQ	Dilution	Reference Method	Date/Time Prepared	Date/Time Analyzed	Analyst
	* Flashpoint	> 200		°F	50.0	50.0	1	ASTM D93 Certifications:	10/24/2016 20:50	10/25/2016 01:33	AA

Total Solids (Aq)

Log-in Notes:

Sample Notes:

Sample Prepared by Method: % Solids Prep

CAS No.	Parameter	Result	Flag	Units	LOD/MDL	Reported to LOQ	Dilution	Reference Method	Date/Time Prepared	Date/Time Analyzed	Analyst
	Total Solids	1650		mg/L	10.0	10.0	1	SM 2540B Certifications: NELAC-NY10854,CTDOH,NJDEP,PADEP	10/24/2016 19:56	10/25/2016 17:24	AA

Total Suspended Solids

Log-in Notes:

Sample Notes:

Sample Prepared by Method: % Solids Prep

CAS No.	Parameter	Result	Flag	Units	LOD/MDL	Reported to LOQ	Dilution	Reference Method	Date/Time Prepared	Date/Time Analyzed	Analyst
	Total Suspended Solids	54.0		mg/L	4.00	4.00	1	SM 2540D Certifications: NELAC-NY10854,CTDOH,NJDEP,PADEP	10/27/2016 00:03	10/27/2016 16:17	AA

Chloride

Log-in Notes:

Sample Notes:

Sample Prepared by Method: EPA 300

CAS No.	Parameter	Result	Flag	Units	LOD/MDL	Reported to LOQ	Dilution	Reference Method	Date/Time Prepared	Date/Time Analyzed	Analyst
16887-00-6	Chloride	384		mg/L	0.345	2.50	5	EPA 300.0 Certifications: CTDOH,NELAC-NY10854,NJDEP,PADEP	10/24/2016 18:14	10/24/2016 18:14	AD

HAZ-114



Sample Information

Client Sample ID: TWP-01

York Sample ID: 16J0789-01

York Project (SDG) No.
16J0789

Client Project ID
95th str sewer/water OEGS 15-008-0265

Matrix
Water

Collection Date/Time
October 21, 2016 10:30 am

Date Received
10/21/2016

Nitrate as N

Log-in Notes:

Sample Notes:

Sample Prepared by Method: EPA 300

CAS No.	Parameter	Result	Flag	Units	LOD/MDL	Reported to LOQ	Dilution	Reference Method	Date/Time Prepared	Date/Time Analyzed	Analyst
14797-55-8	Nitrate as N	ND		mg/L	0.0120	0.0500	1	EPA 300.0	10/22/2016 02:07	10/22/2016 02:07	TJM
Certifications: NELAC-NY10854,CTDOH,NJDEP,PADEP											

Nitrite as N

Log-in Notes:

Sample Notes:

Sample Prepared by Method: EPA 300

CAS No.	Parameter	Result	Flag	Units	LOD/MDL	Reported to LOQ	Dilution	Reference Method	Date/Time Prepared	Date/Time Analyzed	Analyst
14797-65-0	Nitrite as N	ND		mg/L	0.00400	0.0500	1	EPA 300.0	10/22/2016 02:07	10/22/2016 02:07	TJM
Certifications: NELAC-NY10854,CTDOH,PADEP											

Carbonaceous BOD 5-Day

Log-in Notes:

Sample Notes:

Sample Prepared by Method: Analysis Preparation

CAS No.	Parameter	Result	Flag	Units	LOD/MDL	Reported to LOQ	Dilution	Reference Method	Date/Time Prepared	Date/Time Analyzed	Analyst
	Carbonaceous BOD (5-Day)	ND		mg/L	2.0	2.0	2	SM 5210 B	10/21/2016 18:23	10/26/2016 15:08	PAM
Certifications: CTDOH,NELAC-NY10854,NJDEP											

Hexavalent Chromium

Log-in Notes:

Sample Notes:

Sample Prepared by Method: Analysis Preparation

CAS No.	Parameter	Result	Flag	Units	LOD/MDL	Reported to LOQ	Dilution	Reference Method	Date/Time Prepared	Date/Time Analyzed	Analyst
18540-29-9	Chromium, Hexavalent	ND		mg/L	0.00600	0.0100	1	SM 3500-Cr B	10/21/2016 16:08	10/21/2016 20:18	TJM
Certifications: NELAC-NY10854,NJDEP,CTDOH,PADEP											

Non-Polar Material

Log-in Notes:

Sample Notes:

Sample Prepared by Method: Analysis Preparation

CAS No.	Parameter	Result	Flag	Units	LOD/MDL	Reported to LOQ	Dilution	Reference Method	Date/Time Prepared	Date/Time Analyzed	Analyst
	Non-Polar Material	ND		mg/L	0.500	0.500	1	EPA 1664A	10/27/2016 15:06	10/27/2016 15:08	AA
Certifications: CTDOH,NELAC-NY10854,NJDEP											

pH

Log-in Notes:

Sample Notes:

Sample Prepared by Method: Analysis Preparation

CAS No.	Parameter	Result	Flag	Units	LOD/MDL	Reported to LOQ	Dilution	Reference Method	Date/Time Prepared	Date/Time Analyzed	Analyst
	* pH	6.22	HT-pH	pH units		0.500	1	SM 4500 H+B	10/24/2016 12:50	10/24/2016 13:26	TJM
Certifications: CTDOH											

Phenols, total

Log-in Notes:

Sample Notes:

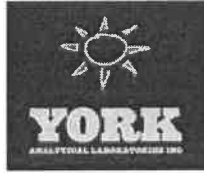
Sample Prepared by Method: Analysis Preparation

CAS No.	Parameter	Result	Flag	Units	LOD/MDL	Reported to LOQ	Dilution	Reference Method	Date/Time Prepared	Date/Time Analyzed	Analyst
64743-03-9	Phenols, total	ND		mg/L	0.0500	0.0500	1	EPA 420.1/2	10/25/2016 07:58	10/25/2016 15:27	SC
Certifications: NELAC-NY10854,CTDOH,NJDEP,PADEP											

Total Kjeldahl Nitrogen

Log-in Notes:

Sample Notes:



Sample Information

Client Sample ID: TWP-01 York Sample ID: 16J0789-01
 York Project (SDG) No. 16J0789 Client Project ID 95th str sewer/water OEGS 15-008-0265 Matrix Water Collection Date/Time October 21, 2016 10:30 am Date Received 10/21/2016

Sample Prepared by Method: Analysis Prep for SAA

CAS No.	Parameter	Result	Flag	Units	LOD/MDL	Reported to LOQ	Dilution	Reference Method	Date/Time Prepared	Date/Time Analyzed	Analyst
	Total Kjeldahl Nitrogen	3.02		mg/L	0.400	0.400	1	SM 4500-N Org D Certifications: NELAC-NY10854,CTDOH,NJDEP,PADEP	10/25/2016 10:20	10/28/2016 13:58	PAM

Total Nitrogen

Log-in Notes:

Sample Notes:

Sample Prepared by Method: Method Specific

CAS No.	Parameter	Result	Flag	Units	LOD/MDL	Reported to LOQ	Dilution	Reference Method	Date/Time Prepared	Date/Time Analyzed	Analyst
	Total Nitrogen Calculated Analyte	3.02		mg/L	0.00400	0.0500	1	Nitrogen Calc Certifications:	10/25/2016 10:20	10/28/2016 13:58	PAM

Sample Information

Client Sample ID: TWP-05 York Sample ID: 16J0789-02
 York Project (SDG) No. 16J0789 Client Project ID 95th str sewer/water OEGS 15-008-0265 Matrix Water Collection Date/Time October 21, 2016 9:00 am Date Received 10/21/2016

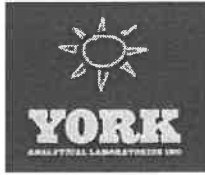
Volatile Organics, 8260 - Comprehensive

Log-in Notes:

Sample Notes:

Sample Prepared by Method: EPA 5030B

CAS No.	Parameter	Result	Flag	Units	LOD/MDL	Reported to LOQ	Dilution	Reference Method	Date/Time Prepared	Date/Time Analyzed	Analyst
630-20-6	1,1,1,2-Tetrachloroethane	ND		ug/L	0.20	0.50	1	EPA 8260C Certifications: CTDOH,NELAC-NY10854,NJDEP	10/27/2016 08:00	10/27/2016 15:38	SS
71-55-6	1,1,1-Trichloroethane	ND		ug/L	0.20	0.50	1	EPA 8260C Certifications: CTDOH,NELAC-NY10854,NJDEP	10/27/2016 08:00	10/27/2016 15:38	SS
79-34-5	1,1,2,2-Tetrachloroethane	ND		ug/L	0.20	0.50	1	EPA 8260C Certifications: CTDOH,NELAC-NY10854,NJDEP	10/27/2016 08:00	10/27/2016 15:38	SS
76-13-1	1,1,2-Trichloro-1,2,2-trifluoroethane (Freon 113)	ND		ug/L	0.20	0.50	1	EPA 8260C Certifications: CTDOH,NELAC-NY10854,NJDEP	10/27/2016 08:00	10/27/2016 15:38	SS
79-00-5	1,1,2-Trichloroethane	ND		ug/L	0.20	0.50	1	EPA 8260C Certifications: CTDOH,NELAC-NY10854,NJDEP	10/27/2016 08:00	10/27/2016 15:38	SS
75-34-3	1,1-Dichloroethane	ND		ug/L	0.20	0.50	1	EPA 8260C Certifications: CTDOH,NELAC-NY10854,NJDEP	10/27/2016 08:00	10/27/2016 15:38	SS
75-35-4	1,1-Dichloroethylene	ND		ug/L	0.20	0.50	1	EPA 8260C Certifications: CTDOH,NELAC-NY10854,NJDEP	10/27/2016 08:00	10/27/2016 15:38	SS
87-61-6	1,2,3-Trichlorobenzene	ND		ug/L	0.20	0.50	1	EPA 8260C Certifications: NELAC-NY10854,NJDEP	10/27/2016 08:00	10/27/2016 15:38	SS
96-18-4	1,2,3-Trichloropropane	ND		ug/L	0.20	0.50	1	EPA 8260C Certifications: NELAC-NY10854,NJDEP	10/27/2016 08:00	10/27/2016 15:38	SS
120-82-1	1,2,4-Trichlorobenzene	ND		ug/L	0.20	0.50	1	EPA 8260C Certifications: NELAC-NY10854,NJDEP	10/27/2016 08:00	10/27/2016 15:38	SS
95-63-6	1,2,4-Trimethylbenzene	ND		ug/L	0.20	0.50	1	EPA 8260C Certifications: CTDOH,NELAC-NY10854,NJDEP	10/27/2016 08:00	10/27/2016 15:38	SS
96-12-8	1,2-Dibromo-3-chloropropane	ND		ug/L	0.20	2.0	1	EPA 8260C Certifications: CTDOH,NELAC-NY10854,NJDEP	10/27/2016 08:00	10/27/2016 15:38	SS



Sample Information

Client Sample ID: TWP-05

York Sample ID: 16J0789-02

York Project (SDG) No.
16J0789

Client Project ID
95th str sewer/water OEGS 15-008-0265

Matrix
Water

Collection Date/Time
October 21, 2016 9:00 am

Date Received
10/21/2016

Volatile Organics, 8260 - Comprehensive

Log-in Notes:

Sample Notes:

Sample Prepared by Method: EPA 5030B

CAS No.	Parameter	Result	Flag	Units	Reported to LOD/MDL	LOQ	Dilution	Reference Method	Date/Time Prepared	Date/Time Analyzed	Analyst
106-93-4	1,2-Dibromoethane	ND		ug/L	0.20	0.50	1	EPA 8260C Certifications: CTDOH,NELAC-NY10854,NJDEP	10/27/2016 08:00	10/27/2016 15:38	SS
95-50-1	1,2-Dichlorobenzene	ND		ug/L	0.20	0.50	1	EPA 8260C Certifications: CTDOH,NELAC-NY10854,NJDEP	10/27/2016 08:00	10/27/2016 15:38	SS
107-06-2	1,2-Dichloroethane	ND		ug/L	0.20	0.50	1	EPA 8260C Certifications: CTDOH,NELAC-NY10854,NJDEP	10/27/2016 08:00	10/27/2016 15:38	SS
78-87-5	1,2-Dichloropropane	ND		ug/L	0.20	0.50	1	EPA 8260C Certifications: CTDOH,NELAC-NY10854,NJDEP	10/27/2016 08:00	10/27/2016 15:38	SS
108-67-8	1,3,5-Trimethylbenzene	ND		ug/L	0.20	0.50	1	EPA 8260C Certifications: CTDOH,NELAC-NY10854,NJDEP	10/27/2016 08:00	10/27/2016 15:38	SS
541-73-1	1,3-Dichlorobenzene	ND		ug/L	0.20	0.50	1	EPA 8260C Certifications: CTDOH,NELAC-NY10854,NJDEP	10/27/2016 08:00	10/27/2016 15:38	SS
106-46-7	1,4-Dichlorobenzene	ND		ug/L	0.20	0.50	1	EPA 8260C Certifications: CTDOH,NELAC-NY10854,NJDEP	10/27/2016 08:00	10/27/2016 15:38	SS
291-1	1,4-Dioxane	ND		ug/L	40	40	1	EPA 8260C Certifications: NELAC-NY10854,NJDEP	10/27/2016 08:00	10/27/2016 15:38	SS
78-93-3	2-Butanone	ND		ug/L	0.20	2.0	1	EPA 8260C Certifications: CTDOH,NELAC-NY10854,NJDEP	10/27/2016 08:00	10/27/2016 15:38	SS
591-78-6	2-Hexanone	ND		ug/L	0.20	2.0	1	EPA 8260C Certifications: CTDOH,NELAC-NY10854,NJDEP	10/27/2016 08:00	10/27/2016 15:38	SS
108-10-1	4-Methyl-2-pentanone	ND		ug/L	0.20	2.0	1	EPA 8260C Certifications: CTDOH,NELAC-NY10854,NJDEP	10/27/2016 08:00	10/27/2016 15:38	SS
67-64-1	Acetone	ND		ug/L	1.0	2.0	1	EPA 8260C Certifications: CTDOH,NELAC-NY10854,NJDEP	10/27/2016 08:00	10/27/2016 15:38	SS
107-02-8	Acrolein	ND		ug/L	0.20	0.50	1	EPA 8260C Certifications: CTDOH,NELAC-NY10854,NJDEP	10/27/2016 08:00	10/27/2016 15:38	SS
107-13-1	Acrylonitrile	ND		ug/L	0.20	2.0	1	EPA 8260C Certifications: CTDOH,NELAC-NY10854,NJDEP	10/27/2016 08:00	10/27/2016 15:38	SS
71-43-2	Benzene	ND		ug/L	0.20	0.50	1	EPA 8260C Certifications: CTDOH,NELAC-NY10854,NJDEP	10/27/2016 08:00	10/27/2016 15:38	SS
74-97-5	Bromochloromethane	ND		ug/L	0.20	0.50	1	EPA 8260C Certifications: NELAC-NY10854,NJDEP	10/27/2016 08:00	10/27/2016 15:38	SS
75-27-4	Bromodichloromethane	ND		ug/L	0.20	0.50	1	EPA 8260C Certifications: CTDOH,NELAC-NY10854,NJDEP	10/27/2016 08:00	10/27/2016 15:38	SS
75-25-2	Bromoform	ND		ug/L	0.20	0.50	1	EPA 8260C Certifications: CTDOH,NELAC-NY10854,NJDEP	10/27/2016 08:00	10/27/2016 15:38	SS
74-83-9	Bromomethane	ND		ug/L	0.20	2.0	1	EPA 8260C Certifications: CTDOH,NELAC-NY10854,NJDEP	10/27/2016 08:00	10/27/2016 15:38	SS
75-15-0	Carbon disulfide	ND		ug/L	0.20	0.50	1	EPA 8260C Certifications: CTDOH,NELAC-NY10854,NJDEP	10/27/2016 08:00	10/27/2016 15:38	SS
50-23-5	Carbon tetrachloride	ND		ug/L	0.20	0.50	1	EPA 8260C Certifications: CTDOH,NELAC-NY10854,NJDEP	10/27/2016 08:00	10/27/2016 15:38	SS
106-90-7	Chlorobenzene	ND		ug/L	0.20	0.50	1	EPA 8260C Certifications: CTDOH,NELAC-NY10854,NJDEP	10/27/2016 08:00	10/27/2016 15:38	SS

HA2-117



Sample Information

Client Sample ID: TWP-05

York Sample ID: 16J0789-02

York Project (SDG) No.
16J0789

Client Project ID
95th str sewer/water OEGS 15-008-0265

Matrix
Water

Collection Date/Time
October 21, 2016 9:00 am

Date Received
10/21/2016

Volatiles Organics, 8260 - Comprehensive

Log-in Notes:

Sample Notes:

Sample Prepared by Method: EPA 5030B

CAS No.	Parameter	Result	Flag	Units	Reported to LOD/MDL	LOQ	Dilution	Reference Method	Date/Time Prepared	Date/Time Analyzed	Analyst
75-00-3	Chloroethane	ND		ug/L	0.20	0.50	1	EPA 8260C Certifications: CTDOH,NELAC-NY10854,NJDEP	10/27/2016 08:00	10/27/2016 15:38	SS
67-66-3	Chloroform	ND		ug/L	0.20	0.50	1	EPA 8260C Certifications: CTDOH,NELAC-NY10854,NJDEP	10/27/2016 08:00	10/27/2016 15:38	SS
74-87-3	Chloromethane	ND		ug/L	0.20	0.50	1	EPA 8260C Certifications: CTDOH,NELAC-NY10854,NJDEP	10/27/2016 08:00	10/27/2016 15:38	SS
156-59-2	cis-1,2-Dichloroethylene	ND		ug/L	0.20	0.50	1	EPA 8260C Certifications: CTDOH,NELAC-NY10854,NJDEP	10/27/2016 08:00	10/27/2016 15:38	SS
10061-01-5	cis-1,3-Dichloropropylene	ND		ug/L	0.20	0.50	1	EPA 8260C Certifications: CTDOH,NELAC-NY10854,NJDEP	10/27/2016 08:00	10/27/2016 15:38	SS
110-82-7	Cyclohexane	ND		ug/L	0.20	0.50	1	EPA 8260C Certifications: NELAC-NY10854,NJDEP	10/27/2016 08:00	10/27/2016 15:38	SS
124-48-1	Dibromochloromethane	ND		ug/L	0.20	0.50	1	EPA 8260C Certifications: CTDOH,NELAC-NY10854,NJDEP	10/27/2016 08:00	10/27/2016 15:38	SS
74-95-3	Dibromomethane	ND		ug/L	0.20	0.50	1	EPA 8260C Certifications: NELAC-NY10854,NJDEP	10/27/2016 08:00	10/27/2016 15:38	SS
75-71-8	Dichlorodifluoromethane	ND		ug/L	0.20	0.50	1	EPA 8260C Certifications: NELAC-NY10854,NJDEP	10/27/2016 08:00	10/27/2016 15:38	SS
100-41-4	Ethyl Benzene	ND		ug/L	0.20	0.50	1	EPA 8260C Certifications: CTDOH,NELAC-NY10854,NJDEP	10/27/2016 08:00	10/27/2016 15:38	SS
87-68-3	Hexachlorobutadiene	ND		ug/L	0.20	0.50	1	EPA 8260C Certifications: NELAC-NY10854,NJDEP	10/27/2016 08:00	10/27/2016 15:38	SS
98-82-8	Isopropylbenzene	ND		ug/L	0.20	0.50	1	EPA 8260C Certifications: CTDOH,NELAC-NY10854,NJDEP	10/27/2016 08:00	10/27/2016 15:38	SS
79-20-9	Methyl acetate	ND		ug/L	0.20	0.50	1	EPA 8260C Certifications: NELAC-NY10854,NJDEP	10/27/2016 08:00	10/27/2016 15:38	SS
1634-04-4	Methyl tert-butyl ether (MTBE)	ND		ug/L	0.20	0.50	1	EPA 8260C Certifications: CTDOH,NELAC-NY10854,NJDEP	10/27/2016 08:00	10/27/2016 15:38	SS
108-87-2	Methylcyclohexane	ND		ug/L	0.20	0.50	1	EPA 8260C Certifications: NELAC-NY10854,NJDEP	10/27/2016 08:00	10/27/2016 15:38	SS
75-09-2	Methylene chloride	ND		ug/L	1.0	2.0	1	EPA 8260C Certifications: CTDOH,NELAC-NY10854,NJDEP	10/27/2016 08:00	10/27/2016 15:38	SS
104-51-8	n-Butylbenzene	ND		ug/L	0.20	0.50	1	EPA 8260C Certifications: CTDOH,NELAC-NY10854,NJDEP	10/27/2016 08:00	10/27/2016 15:38	SS
103-65-1	n-Propylbenzene	ND		ug/L	0.20	0.50	1	EPA 8260C Certifications: CTDOH,NELAC-NY10854,NJDEP	10/27/2016 08:00	10/27/2016 15:38	SS
95-47-6	o-Xylene	ND		ug/L	0.20	0.50	1	EPA 8260C Certifications: NELAC-NY10854	10/27/2016 08:00	10/27/2016 15:38	SS
179601-23-1	p- & m- Xylenes	ND		ug/L	0.50	1.0	1	EPA 8260C Certifications: NELAC-NY10854	10/27/2016 08:00	10/27/2016 15:38	SS
99-87-6	p-Isopropyltoluene	ND		ug/L	0.20	0.50	1	EPA 8260C Certifications: CTDOH,NELAC-NY10854,NJDEP	10/27/2016 08:00	10/27/2016 15:38	SS
135-98-8	sec-Butylbenzene	ND		ug/L	0.20	0.50	1	EPA 8260C Certifications: CTDOH,NELAC-NY10854,NJDEP	10/27/2016 08:00	10/27/2016 15:38	SS



Sample Information

Client Sample ID: TWP-05

York Sample ID: 16J0789-02

York Project (SDG) No.
16J0789

Client Project ID
95th str sewer/water OEGS 15-008-0265

Matrix
Water

Collection Date/Time
October 21, 2016 9:00 am

Date Received
10/21/2016

Volatile Organics, 8260 - Comprehensive

Log-in Notes:

Sample Notes:

Sample Prepared by Method: EPA 5030B

CAS No.	Parameter	Result	Flag	Units	Reported to LOD/MDL	LOQ	Dilution	Reference Method	Date/Time Prepared	Date/Time Analyzed	Analyst
100-42-5	Styrene	ND		ug/L	0.20	0.50	1	EPA 8260C Certifications: CTDOH,NELAC-NY10854,NJDEP	10/27/2016 08:00	10/27/2016 15:38	SS
75-65-0	tert-Butyl alcohol (TBA)	1.1	J	ug/L	0.50	2.0	1	EPA 8260C Certifications: NELAC-NY10854,NJDEP	10/27/2016 08:00	10/27/2016 15:38	SS
98-06-6	tert-Butylbenzene	ND		ug/L	0.20	0.50	1	EPA 8260C Certifications: CTDOH,NELAC-NY10854,NJDEP	10/27/2016 08:00	10/27/2016 15:38	SS
127-18-4	Tetrachloroethylene	ND		ug/L	0.20	0.50	1	EPA 8260C Certifications: CTDOH,NELAC-NY10854,NJDEP	10/27/2016 08:00	10/27/2016 15:38	SS
108-88-3	Toluene	ND		ug/L	0.20	0.50	1	EPA 8260C Certifications: CTDOH,NELAC-NY10854,NJDEP	10/27/2016 08:00	10/27/2016 15:38	SS
156-60-5	trans-1,2-Dichloroethylene	ND		ug/L	0.20	0.50	1	EPA 8260C Certifications: CTDOH,NELAC-NY10854,NJDEP	10/27/2016 08:00	10/27/2016 15:38	SS
10061-02-6	trans-1,3-Dichloropropylene	ND		ug/L	0.20	0.50	1	EPA 8260C Certifications: CTDOH,NELAC-NY10854,NJDEP	10/27/2016 08:00	10/27/2016 15:38	SS
11-6	Trichloroethylene	ND		ug/L	0.20	0.50	1	EPA 8260C Certifications: CTDOH,NELAC-NY10854,NJDEP	10/27/2016 08:00	10/27/2016 15:38	SS
75-69-4	Trichlorofluoromethane	ND		ug/L	0.20	0.50	1	EPA 8260C Certifications: CTDOH,NELAC-NY10854,NJDEP	10/27/2016 08:00	10/27/2016 15:38	SS
75-01-4	Vinyl Chloride	ND		ug/L	0.20	0.50	1	EPA 8260C Certifications: CTDOH,NELAC-NY10854,NJDEP	10/27/2016 08:00	10/27/2016 15:38	SS
1330-20-7	* Xylenes, Total	ND		ug/L	0.60	1.5	1	EPA 8260C Certifications: CTDOH,NJDEP	10/27/2016 08:00	10/27/2016 15:38	SS

Surrogate Recoveries

Result

Acceptance Range

17060-07-0	Surrogate: 1,2-Dichloroethane-d4	108 %	69-130
2037-26-5	Surrogate: Toluene-d8	95.5 %	81-117
460-00-4	Surrogate: p-Bromofluorobenzene	88.6 %	79-122

Volatile Organics, NYCDEP Sewer Discharge List

Log-in Notes:

Sample Notes:

Sample Prepared by Method: EPA 5030B

CAS No.	Parameter	Result	Flag	Units	Reported to LOD/MDL	LOQ	Dilution	Reference Method	Date/Time Prepared	Date/Time Analyzed	Analyst
71-55-6	1,1,1-Trichloroethane	ND		ug/L	1.2	5.0	1	EPA 624 Certifications: CTDOH,NELAC-NY10854,NJDEP,PADEP	10/27/2016 08:00	10/27/2016 15:38	SS
106-46-7	1,4-Dichlorobenzene	ND		ug/L	1.2	5.0	1	EPA 624 Certifications: CTDOH,NELAC-NY10854,NJDEP,PADEP	10/27/2016 08:00	10/27/2016 15:38	SS
71-43-2	Benzene	ND		ug/L	1.3	5.0	1	EPA 624 Certifications: CTDOH,NELAC-NY10854,NJDEP,PADEP	10/27/2016 08:00	10/27/2016 15:38	SS
56-23-5	Carbon tetrachloride	ND		ug/L	1.4	5.0	1	EPA 624 Certifications: CTDOH,NELAC-NY10854,NJDEP,PADEP	10/27/2016 08:00	10/27/2016 15:38	SS
67-66-3	Chloroform	ND		ug/L	1.1	5.0	1	EPA 624 Certifications: CTDOH,NELAC-NY10854,NJDEP,PADEP	10/27/2016 08:00	10/27/2016 15:38	SS
11-4	Ethyl Benzene	ND		ug/L	1.2	5.0	1	EPA 624 Certifications: CTDOH,NELAC-NY10854,NJDEP,PADEP	10/27/2016 08:00	10/27/2016 15:38	SS



Sample Information

Client Sample ID: TWP-05

York Sample ID: 16J0789-02

York Project (SDG) No.
16J0789

Client Project ID
95th str sewer/water OEGS 15-008-0265

Matrix
Water

Collection Date/Time
October 21, 2016 9:00 am

Date Received
10/21/2016

Volatiles Organics, NYCDEP Sewer Discharge List

Log-in Notes:

Sample Notes:

Sample Prepared by Method: EPA 5030B

CAS No.	Parameter	Result	Flag	Units	Reported to LOD/MDL	LOQ	Dilution	Reference Method	Date/Time Prepared	Date/Time Analyzed	Analyst
1634-04-4	* Methyl tert-butyl ether (MTBE)	ND		ug/L	0.53	5.0	1	EPA 624 Certifications:	10/27/2016 08:00	10/27/2016 15:38	SS
95-47-6	o-Xylene	ND		ug/L	1.1	5.0	1	EPA 624 Certifications: CTDOH,NELAC-NY10854,NJDEP	10/27/2016 08:00	10/27/2016 15:38	SS
179601-23-1	p- & m- Xylenes	ND		ug/L	2.3	10	1	EPA 624 Certifications: CTDOH,NELAC-NY10854,NJDEP	10/27/2016 08:00	10/27/2016 15:38	SS
127-18-4	Tetrachloroethylene	ND		ug/L	3.3	5.0	1	EPA 624 Certifications: CTDOH,NELAC-NY10854,NJDEP,PADEP	10/27/2016 08:00	10/27/2016 15:38	SS
108-88-3	Toluene	ND		ug/L	0.81	5.0	1	EPA 624 Certifications: CTDOH,NELAC-NY10854,NJDEP,PADEP	10/27/2016 08:00	10/27/2016 15:38	SS
1330-20-7	Xylenes, Total	ND		ug/L	3.4	15	1	EPA 624 Certifications: CTDOH,NELAC-NY10854,NJDEP	10/27/2016 08:00	10/27/2016 15:38	SS
Surrogate Recoveries		Result			Acceptance Range						
17060-07-0	Surrogate: 1,2-Dichloroethane-d4	108 %			69-130						
2037-26-5	Surrogate: Toluene-d8	95.5 %			81-117						
460-00-4	Surrogate: p-Bromofluorobenzene	88.6 %			79-122						

Semi-Volatiles, 8270 - Comprehensive

Log-in Notes:

Sample Notes:

Sample Prepared by Method: EPA 3510C

CAS No.	Parameter	Result	Flag	Units	Reported to LOD/MDL	LOQ	Dilution	Reference Method	Date/Time Prepared	Date/Time Analyzed	Analyst
92-52-4	1,1'-Biphenyl	ND		ug/L	2.63	5.26	1	EPA 8270D Certifications: NELAC-NY10854,NJDEP,PADEP	10/26/2016 14:53	10/27/2016 12:15	KH
95-94-3	1,2,4,5-Tetrachlorobenzene	ND		ug/L	2.63	5.26	1	EPA 8270D Certifications: NELAC-NY10854,NJDEP,PADEP	10/26/2016 14:53	10/27/2016 12:15	KH
122-66-7	1,2-Diphenylhydrazine (as Azobenzene)	ND		ug/L	2.63	5.26	1	EPA 8270D Certifications: NELAC-NY10854,NJDEP,PADEP	10/26/2016 14:53	10/27/2016 12:15	KH
58-90-2	2,3,4,6-Tetrachlorophenol	ND		ug/L	2.63	5.26	1	EPA 8270D Certifications: NELAC-NY10854,NJDEP,PADEP	10/26/2016 14:53	10/27/2016 12:15	KH
95-95-4	2,4,5-Trichlorophenol	ND		ug/L	2.63	5.26	1	EPA 8270D Certifications: CTDOH,NELAC-NY10854,NJDEP,PADEP	10/26/2016 14:53	10/27/2016 12:15	KH
88-06-2	2,4,6-Trichlorophenol	ND		ug/L	2.63	5.26	1	EPA 8270D Certifications: CTDOH,NELAC-NY10854,NJDEP,PADEP	10/26/2016 14:53	10/27/2016 12:15	KH
120-82-1	1,2,4-Trichlorobenzene	ND		ug/L	2.63	5.26	1	EPA 8270D Certifications: CTDOH,NELAC-NY10854,NJDEP,PADEP	10/26/2016 14:53	10/27/2016 12:15	KH
120-83-2	2,4-Dichlorophenol	ND		ug/L	2.63	5.26	1	EPA 8270D Certifications: CTDOH,NELAC-NY10854,NJDEP,PADEP	10/26/2016 14:53	10/27/2016 12:15	KH
105-67-9	2,4-Dimethylphenol	ND		ug/L	2.63	5.26	1	EPA 8270D Certifications: CTDOH,NELAC-NY10854,NJDEP,PADEP	10/26/2016 14:53	10/27/2016 12:15	KH
51-28-5	2,4-Dinitrophenol	ND		ug/L	2.63	5.26	1	EPA 8270D Certifications: CTDOH,NELAC-NY10854,NJDEP,PADEP	10/26/2016 14:53	10/27/2016 12:15	KI
121-14-2	2,4-Dinitrotoluene	ND		ug/L	2.63	5.26	1	EPA 8270D Certifications: CTDOH,NELAC-NY10854,NJDEP,PADEP	10/26/2016 14:53	10/27/2016 12:15	KH



Sample Information

Client Sample ID: TWP-05

York Sample ID: 16J0789-02

York Project (SDG) No.
16J0789

Client Project ID
95th str sewer/water OEGS 15-008-0265

Matrix
Water

Collection Date/Time
October 21, 2016 9:00 am

Date Received
10/21/2016

Semi-Volatiles, 8270 - Comprehensive

Log-in Notes:

Sample Notes:

Sample Prepared by Method: EPA 3510C

CAS No.	Parameter	Result	Flag	Units	Reported to LOD/MDL	LOQ	Dilution	Reference Method	Date/Time Prepared	Date/Time Analyzed	Analyst
95-50-1	1,2-Dichlorobenzene	ND		ug/L	2.63	5.26	1	EPA 8270D Certifications: NELAC-NY10854,PADEP	10/26/2016 14:53	10/27/2016 12:15	KH
606-20-2	2,6-Dinitrotoluene	ND		ug/L	2.63	5.26	1	EPA 8270D Certifications: CTDOH,NELAC-NY10854,NJDEP,PADEP	10/26/2016 14:53	10/27/2016 12:15	KH
91-58-7	2-Chloronaphthalene	ND		ug/L	2.63	5.26	1	EPA 8270D Certifications: CTDOH,NELAC-NY10854,NJDEP,PADEP	10/26/2016 14:53	10/27/2016 12:15	KH
95-57-8	2-Chlorophenol	ND		ug/L	2.63	5.26	1	EPA 8270D Certifications: CTDOH,NELAC-NY10854,NJDEP,PADEP	10/26/2016 14:53	10/27/2016 12:15	KH
91-57-6	2-Methylnaphthalene	ND		ug/L	2.63	5.26	1	EPA 8270D Certifications: CTDOH,NELAC-NY10854,NJDEP,PADEP	10/26/2016 14:53	10/27/2016 12:15	KH
541-73-1	1,3-Dichlorobenzene	ND		ug/L	2.63	5.26	1	EPA 8270D Certifications: NELAC-NY10854,PADEP	10/26/2016 14:53	10/27/2016 12:15	KH
95-48-7	2-Methylphenol	ND		ug/L	2.63	5.26	1	EPA 8270D Certifications: CTDOH,NELAC-NY10854,NJDEP,PADEP	10/26/2016 14:53	10/27/2016 12:15	KH
74-4	2-Nitroaniline	ND		ug/L	2.63	5.26	1	EPA 8270D Certifications: CTDOH,NELAC-NY10854,NJDEP,PADEP	10/26/2016 14:53	10/27/2016 12:15	KH
106-46-7	1,4-Dichlorobenzene	ND		ug/L	2.63	5.26	1	EPA 8270D Certifications: NELAC-NY10854,PADEP	10/26/2016 14:53	10/27/2016 12:15	KH
88-75-5	2-Nitrophenol	ND		ug/L	2.63	5.26	1	EPA 8270D Certifications: CTDOH,NELAC-NY10854,NJDEP,PADEP	10/26/2016 14:53	10/27/2016 12:15	KH
65794-96-9	3- & 4-Methylphenols	ND		ug/L	2.63	5.26	1	EPA 8270D Certifications: CTDOH,NELAC-NY10854,NJDEP,PADEP	10/26/2016 14:53	10/27/2016 12:15	KH
91-94-1	3,3'-Dichlorobenzidine	ND		ug/L	2.63	5.26	1	EPA 8270D Certifications: CTDOH,NELAC-NY10854,NJDEP,PADEP	10/26/2016 14:53	10/27/2016 12:15	KH
99-09-2	3-Nitroaniline	ND		ug/L	2.63	5.26	1	EPA 8270D Certifications: CTDOH,NELAC-NY10854,NJDEP,PADEP	10/26/2016 14:53	10/27/2016 12:15	KH
534-52-1	4,6-Dinitro-2-methylphenol	ND		ug/L	2.63	5.26	1	EPA 8270D Certifications: CTDOH,NELAC-NY10854,NJDEP,PADEP	10/26/2016 14:53	10/27/2016 12:15	KH
101-55-3	4-Bromophenyl phenyl ether	ND		ug/L	2.63	5.26	1	EPA 8270D Certifications: CTDOH,NELAC-NY10854,NJDEP,PADEP	10/26/2016 14:53	10/27/2016 12:15	KH
59-50-7	4-Chloro-3-methylphenol	ND		ug/L	2.63	5.26	1	EPA 8270D Certifications: CTDOH,NELAC-NY10854,NJDEP,PADEP	10/26/2016 14:53	10/27/2016 12:15	KH
106-47-8	4-Chloroaniline	ND		ug/L	2.63	5.26	1	EPA 8270D Certifications: CTDOH,NELAC-NY10854,NJDEP,PADEP	10/26/2016 14:53	10/27/2016 12:15	KH
7005-72-3	4-Chlorophenyl phenyl ether	ND		ug/L	2.63	5.26	1	EPA 8270D Certifications: CTDOH,NELAC-NY10854,NJDEP,PADEP	10/26/2016 14:53	10/27/2016 12:15	KH
100-01-6	4-Nitroaniline	ND		ug/L	2.63	5.26	1	EPA 8270D Certifications: CTDOH,NELAC-NY10854,NJDEP,PADEP	10/26/2016 14:53	10/27/2016 12:15	KH
100-02-7	4-Nitrophenol	ND		ug/L	2.63	5.26	1	EPA 8270D Certifications: CTDOH,NELAC-NY10854,NJDEP,PADEP	10/26/2016 14:53	10/27/2016 12:15	KH
92-32-9	Acenaphthene	ND		ug/L	0.0526	0.0526	1	EPA 8270D Certifications: CTDOH,NELAC-NY10854,NJDEP,PADEP	10/26/2016 14:53	10/27/2016 11:38	SR
96-96-8	Acenaphthylene	ND		ug/L	0.0526	0.0526	1	EPA 8270D Certifications: CTDOH,NELAC-NY10854,NJDEP,PADEP	10/26/2016 14:53	10/27/2016 11:38	SR

HAZ-121



Sample Information

Client Sample ID: TWP-05

York Sample ID: 16J0789-02

York Project (SDG) No.
16J0789

Client Project ID
95th str sewer/water OEGS 15-008-0265

Matrix
Water

Collection Date/Time
October 21, 2016 9:00 am

Date Received
10/21/2016

Semi-Volatiles, 8270 - Comprehensive

Log-in Notes:

Sample Notes:

Sample Prepared by Method: EPA 3510C

CAS No.	Parameter	Result	Flag	Units	Reported to LOD/MDL	LOQ	Dilution	Reference Method	Date/Time Prepared	Date/Time Analyzed	Analyst
98-86-2	Acetophenone	ND		ug/L	2.63	5.26	1	EPA 8270D Certifications: NELAC-NY10854,NJDEP,PADEP	10/26/2016 14:53	10/27/2016 12:15	KH
62-53-3	Aniline	ND		ug/L	2.63	5.26	1	EPA 8270D Certifications: NELAC-NY10854,NJDEP,PADEP	10/26/2016 14:53	10/27/2016 12:15	KH
120-12-7	Anthracene	ND		ug/L	0.0526	0.0526	1	EPA 8270D Certifications: CTDOH,NELAC-NY10854,NJDEP,PADEP	10/26/2016 14:53	10/27/2016 11:38	SR
1912-24-9	Atrazine	ND		ug/L	0.526	0.526	1	EPA 8270D Certifications: NELAC-NY10854,NJDEP,PADEP	10/26/2016 14:53	10/27/2016 11:38	SR
100-52-7	Benzaldehyde	ND		ug/L	2.63	5.26	1	EPA 8270D Certifications: NELAC-NY10854,NJDEP,PADEP	10/26/2016 14:53	10/27/2016 12:15	KH
92-87-5	Benzidine	ND		ug/L	10.5	21.1	1	EPA 8270D Certifications: CTDOH,NELAC-NY10854,NJDEP,PADEP	10/26/2016 14:53	10/27/2016 12:15	KH
56-55-3	Benzo(a)anthracene	ND		ug/L	0.0526	0.0526	1	EPA 8270D Certifications: CTDOH,NELAC-NY10854,NJDEP,PADEP	10/26/2016 14:53	10/27/2016 11:38	SR
50-32-8	Benzo(a)pyrene	ND		ug/L	0.0526	0.0526	1	EPA 8270D Certifications: CTDOH,NELAC-NY10854,NJDEP,PADEP	10/26/2016 14:53	10/27/2016 11:38	SR
205-99-2	Benzo(b)fluoranthene	ND		ug/L	0.0526	0.0526	1	EPA 8270D Certifications: CTDOH,NELAC-NY10854,NJDEP,PADEP	10/26/2016 14:53	10/27/2016 11:38	SR
191-24-2	Benzo(g,h,i)perylene	ND		ug/L	0.0526	0.0526	1	EPA 8270D Certifications: CTDOH,NELAC-NY10854,NJDEP,PADEP	10/26/2016 14:53	10/27/2016 11:38	SR
207-08-9	Benzo(k)fluoranthene	ND		ug/L	0.0526	0.0526	1	EPA 8270D Certifications: CTDOH,NELAC-NY10854,NJDEP,PADEP	10/26/2016 14:53	10/27/2016 11:38	SR
65-85-0	Benzoic acid	ND		ug/L	26.3	52.6	1	EPA 8270D Certifications: NELAC-NY10854,NJDEP,PADEP	10/26/2016 14:53	10/27/2016 12:15	KH
100-51-6	Benzyl alcohol	ND		ug/L	2.63	5.26	1	EPA 8270D Certifications: NELAC-NY10854,NJDEP,PADEP	10/26/2016 14:53	10/27/2016 12:15	KH
85-68-7	Benzyl butyl phthalate	ND		ug/L	2.63	5.26	1	EPA 8270D Certifications: CTDOH,NELAC-NY10854,NJDEP,PADEP	10/26/2016 14:53	10/27/2016 12:15	KH
111-91-1	Bis(2-chloroethoxy)methane	ND		ug/L	2.63	5.26	1	EPA 8270D Certifications: CTDOH,NELAC-NY10854,NJDEP,PADEP	10/26/2016 14:53	10/27/2016 12:15	KH
111-44-4	Bis(2-chloroethyl)ether	ND		ug/L	2.63	5.26	1	EPA 8270D Certifications: CTDOH,NELAC-NY10854,NJDEP,PADEP	10/26/2016 14:53	10/27/2016 12:15	KH
108-60-1	Bis(2-chloroisopropyl)ether	ND		ug/L	2.63	5.26	1	EPA 8270D Certifications: CTDOH,NELAC-NY10854,NJDEP,PADEP	10/26/2016 14:53	10/27/2016 12:15	KH
117-81-7	Bis(2-ethylhexyl)phthalate	ND		ug/L	0.526	0.526	1	EPA 8270D Certifications: CTDOH,NELAC-NY10854,NJDEP,PADEP	10/26/2016 14:53	10/27/2016 11:38	SR
105-60-2	Caprolactam	ND		ug/L	2.63	5.26	1	EPA 8270D Certifications: NELAC-NY10854,NJDEP,PADEP	10/26/2016 14:53	10/27/2016 12:15	KH
86-74-8	Carbazole	ND		ug/L	2.63	5.26	1	EPA 8270D Certifications: CTDOH,NELAC-NY10854,NJDEP,PADEP	10/26/2016 14:53	10/27/2016 12:15	KH
87-68-3	Hexachlorobutadiene	ND		ug/L	0.526	0.526	1	EPA 8270D Certifications: CTDOH,NELAC-NY10854,NJDEP,PADEP	10/26/2016 14:53	10/27/2016 11:38	SR
218-01-9	Chrysene	ND		ug/L	0.0526	0.0526	1	EPA 8270D Certifications: CTDOH,NELAC-NY10854,NJDEP,PADEP	10/26/2016 14:53	10/27/2016 11:38	SR

HAZ-122



Sample Information

Client Sample ID: TWP-05

York Sample ID: 16J0789-02

York Project (SDG) No.
16J0789

Client Project ID
95th str sewer/water OEGS 15-008-0265

Matrix
Water

Collection Date/Time
October 21, 2016 9:00 am

Date Received
10/21/2016

Semi-Volatiles, 8270 - Comprehensive

Log-in Notes:

Sample Notes:

Sample Prepared by Method: EPA 3510C

CAS No.	Parameter	Result	Flag	Units	Reported to LOD/MDL	LOQ	Dilution	Reference Method	Date/Time Prepared	Date/Time Analyzed	Analyst
53-70-3	Dibenzo(a,h)anthracene	ND		ug/L	0.0526	0.0526	1	EPA 8270D Certifications: CTDOH,NELAC-NY10854,NJDEP,PADEP	10/26/2016 14:53	10/27/2016 11:38	SR
132-64-9	Dibenzofuran	ND		ug/L	2.63	5.26	1	EPA 8270D Certifications: CTDOH,NELAC-NY10854,NJDEP,PADEP	10/26/2016 14:53	10/27/2016 12:15	KH
84-66-2	Diethyl phthalate	ND		ug/L	2.63	5.26	1	EPA 8270D Certifications: CTDOH,NELAC-NY10854,NJDEP,PADEP	10/26/2016 14:53	10/27/2016 12:15	KH
131-11-3	Dimethyl phthalate	ND		ug/L	2.63	5.26	1	EPA 8270D Certifications: CTDOH,NELAC-NY10854,NJDEP,PADEP	10/26/2016 14:53	10/27/2016 12:15	KH
84-74-2	Di-n-butyl phthalate	ND		ug/L	2.63	5.26	1	EPA 8270D Certifications: CTDOH,NELAC-NY10854,NJDEP,PADEP	10/26/2016 14:53	10/27/2016 12:15	KH
117-84-0	Di-n-octyl phthalate	ND		ug/L	2.63	5.26	1	EPA 8270D Certifications: CTDOH,NELAC-NY10854,NJDEP,PADEP	10/26/2016 14:53	10/27/2016 12:15	KH
91-20-3	Naphthalene	0.0526		ug/L	0.0526	0.0526	1	EPA 8270D Certifications: CTDOH,NELAC-NY10854,NJDEP,PADEP	10/26/2016 14:53	10/27/2016 11:38	SR
144-0	Fluoranthene	ND		ug/L	0.0526	0.0526	1	EPA 8270D Certifications: CTDOH,NELAC-NY10854,NJDEP,PADEP	10/26/2016 14:53	10/27/2016 11:38	SR
86-73-7	Fluorene	ND		ug/L	0.0526	0.0526	1	EPA 8270D Certifications: NELAC-NY10854,NJDEP,PADEP	10/26/2016 14:53	10/27/2016 11:38	SR
118-74-1	Hexachlorobenzene	ND		ug/L	0.0211	0.0211	1	EPA 8270D Certifications: CTDOH,NELAC-NY10854,NJDEP,PADEP	10/26/2016 14:53	10/27/2016 11:38	SR
77-47-4	Hexachlorocyclopentadiene	ND		ug/L	2.63	5.26	1	EPA 8270D Certifications: CTDOH,NELAC-NY10854,NJDEP,PADEP	10/26/2016 14:53	10/27/2016 12:15	KH
67-72-1	Hexachloroethane	ND		ug/L	0.526	0.526	1	EPA 8270D Certifications: CTDOH,NELAC-NY10854,NJDEP,PADEP	10/26/2016 14:53	10/27/2016 11:38	SR
193-39-5	Indeno(1,2,3-cd)pyrene	ND		ug/L	0.0526	0.0526	1	EPA 8270D Certifications: CTDOH,NELAC-NY10854,NJDEP,PADEP	10/26/2016 14:53	10/27/2016 11:38	SR
78-59-1	Isophorone	ND		ug/L	2.63	5.26	1	EPA 8270D Certifications: CTDOH,NELAC-NY10854,NJDEP,PADEP	10/26/2016 14:53	10/27/2016 12:15	KH
98-95-3	Nitrobenzene	ND		ug/L	0.263	0.263	1	EPA 8270D Certifications: CTDOH,NELAC-NY10854,NJDEP,PADEP	10/26/2016 14:53	10/27/2016 11:38	SR
62-75-9	N-Nitrosodimethylamine	ND		ug/L	0.526	0.526	1	EPA 8270D Certifications: CTDOH,NELAC-NY10854,NJDEP,PADEP	10/26/2016 14:53	10/27/2016 11:38	SR
621-64-7	N-nitroso-di-n-propylamine	ND		ug/L	2.63	5.26	1	EPA 8270D Certifications: CTDOH,NELAC-NY10854,NJDEP,PADEP	10/26/2016 14:53	10/27/2016 12:15	KH
86-30-6	N-Nitrosodiphenylamine	ND		ug/L	2.63	5.26	1	EPA 8270D Certifications: CTDOH,NELAC-NY10854,NJDEP,PADEP	10/26/2016 14:53	10/27/2016 12:15	KH
87-86-5	Pentachlorophenol	ND		ug/L	0.263	0.263	1	EPA 8270D Certifications: CTDOH,NELAC-NY10854,NJDEP,PADEP	10/26/2016 14:53	10/27/2016 11:38	SR
85-01-8	Phenanthrene	ND		ug/L	0.0526	0.0526	1	EPA 8270D Certifications: CTDOH,NELAC-NY10854,NJDEP,PADEP	10/26/2016 14:53	10/27/2016 11:38	SR
108-95-2	Phenol	ND		ug/L	2.63	5.26	1	EPA 8270D Certifications: CTDOH,NELAC-NY10854,NJDEP,PADEP	10/26/2016 14:53	10/27/2016 12:15	KH
100-0	Pyrene	ND		ug/L	0.0526	0.0526	1	EPA 8270D Certifications: CTDOH,NELAC-NY10854,NJDEP,PADEP	10/26/2016 14:53	10/27/2016 11:38	SR



Sample Information

Client Sample ID: TWP-05

York Sample ID: 16J0789-02

York Project (SDG) No.
16J0789

Client Project ID
95th str sewer/water OEGS 15-008-0265

Matrix
Water

Collection Date/Time
October 21, 2016 9:00 am

Date Received
10/21/2016

Semi-Volatiles, 8270 - Comprehensive

Log-in Notes:

Sample Notes:

Sample Prepared by Method: EPA 3510C

CAS No.	Parameter	Result	Flag	Units	Reported to LOD/MDL	LOQ	Dilution	Reference Method	Date/Time Prepared	Date/Time Analyzed	Analyst
Surrogate Recoveries		Result			Acceptance Range						
367-12-4	Surrogate: 2-Fluorophenol	30.3 %				12-64					
4165-62-2	Surrogate: Phenol-d5	22.3 %				10-82					
4165-60-0	Surrogate: Nitrobenzene-d5	59.8 %				12-96					
321-60-8	Surrogate: 2-Fluorobiphenyl	62.1 %				16-84					
118-79-6	Surrogate: 2,4,6-Tribromophenol	103 %				15-104					
1718-51-0	Surrogate: Terphenyl-d14	76.4 %				15-106					

Semi-Volatiles, NYCDEP Sewer Discharge List

Log-in Notes:

Sample Notes:

Sample Prepared by Method: EPA 3510C

CAS No.	Parameter	Result	Flag	Units	Reported to LOD/MDL	LOQ	Dilution	Reference Method	Date/Time Prepared	Date/Time Analyzed	Analyst
120-82-1	1,2,4-Trichlorobenzene	ND		ug/L	2.88	5.26	1	EPA 625 Certifications: CTDOH,NELAC-NY10854,NJDEP,PADEP	10/26/2016 14:53	10/27/2016 12:15	KH
91-20-3	Naphthalene	ND		ug/L	2.78	5.26	1	EPA 625 Certifications: CTDOH,NELAC-NY10854,NJDEP,PADEP	10/26/2016 14:53	10/27/2016 12:15	KH
Surrogate Recoveries		Result			Acceptance Range						
4165-60-0	Surrogate: Nitrobenzene-d5	59.8 %				12-96					
321-60-8	Surrogate: 2-Fluorobiphenyl	62.1 %				16-84					
1718-51-0	Surrogate: Terphenyl-d14	76.4 %				15-106					

Pesticides, EPA TCL List

Log-in Notes:

Sample Notes:

Sample Prepared by Method: EPA SW846-3510C Low Level

CAS No.	Parameter	Result	Flag	Units	Reported to LOD/MDL	LOQ	Dilution	Reference Method	Date/Time Prepared	Date/Time Analyzed	Analyst
72-54-8	4,4'-DDD	ND		ug/L	0.00421	0.00421	1	EPA 8081B Certifications: CTDOH,NELAC-NY10854,NJDEP,PADEP	10/26/2016 06:21	10/26/2016 15:32	AMC
72-55-9	4,4'-DDE	ND		ug/L	0.00421	0.00421	1	EPA 8081B Certifications: CTDOH,NELAC-NY10854,NJDEP,PADEP	10/26/2016 06:21	10/26/2016 15:32	AMC
50-29-3	4,4'-DDT	ND		ug/L	0.00421	0.00421	1	EPA 8081B Certifications: CTDOH,NELAC-NY10854,NJDEP,PADEP	10/26/2016 06:21	10/26/2016 15:32	AMC
309-00-2	Aldrin	ND		ug/L	0.00421	0.00421	1	EPA 8081B Certifications: CTDOH,NELAC-NY10854,NJDEP,PADEP	10/26/2016 06:21	10/26/2016 15:32	AMC
319-84-6	alpha-BHC	ND		ug/L	0.00421	0.00421	1	EPA 8081B Certifications: CTDOH,NELAC-NY10854,NJDEP,PADEP	10/26/2016 06:21	10/26/2016 15:32	AMC
319-85-7	beta-BHC	ND		ug/L	0.00421	0.00421	1	EPA 8081B Certifications: CTDOH,NELAC-NY10854,NJDEP,PADEP	10/26/2016 06:21	10/26/2016 15:32	AMC
57-74-9	Chlordane, total	ND		ug/L	0.0211	0.0211	1	EPA 8081B Certifications: CTDOH,NELAC-NY10854,NJDEP,PADEP	10/26/2016 06:21	10/26/2016 15:32	AMC
319-86-8	delta-BHC	ND		ug/L	0.00421	0.00421	1	EPA 8081B Certifications: CTDOH,NELAC-NY10854,NJDEP,PADEP	10/26/2016 06:21	10/26/2016 15:32	AM



Sample Information

Client Sample ID: TWP-05

York Sample ID: 16J0789-02

York Project (SDG) No. 16J0789

Client Project ID 95th str sewer/water OECS 15-008-0265

Matrix Water

Collection Date/Time October 21, 2016 9:00 am

Date Received 10/21/2016

Pesticides, EPA TCL List

Log-in Notes:

Sample Notes:

Sample Prepared by Method: EPA SW846-3510C Low Level

Table with columns: CAS No., Parameter, Result, Flag, Units, LOD/MDL, Reported to LOQ, Dilution, Reference Method, Date/Time Prepared, Date/Time Analyzed, Analyst. Includes entries for Dieldrin, Endosulfan I, II, sulfate, Endrin, Endrin aldehyde, Endrin ketone, gamma-BHC (Lindane), Heptachlor, Heptachlor epoxide, Methoxychlor, Toxaphene, and Surrogate Recoveries.

PCB (Polychlorinated Biphenyls)

Log-in Notes:

Sample Notes:

Sample Prepared by Method: EPA SW846-3510C Low Level

Table with columns: CAS No., Parameter, Result, Flag, Units, LOD/MDL, Reported to LOQ, Dilution, Reference Method, Date/Time Prepared, Date/Time Analyzed, Analyst. Includes entries for Aroclor 1016, 1221, 1232, 1242, 1248.

HAZ-125



Sample Information

Client Sample ID: TWP-05 **York Sample ID:** 16J0789-02
York Project (SDG) No. 16J0789 **Client Project ID** 95th str sewer/water OEGS 15-008-0265 **Matrix** Water **Collection Date/Time** October 21, 2016 9:00 am **Date Received** 10/21/2016

PCB (Polychlorinated Biphenyls)

Log-in Notes:

Sample Notes:

Sample Prepared by Method: EPA SW846-3510C Low Level

CAS No.	Parameter	Result	Flag	Units	LOD/MDL	Reported to LOQ	Dilution	Reference Method	Date/Time Prepared	Date/Time Analyzed	Analyst
11097-69-1	Aroclor 1254	ND		ug/L	0.0463	0.0526	1	EPA 608 Certifications: CTDOH,NELAC-NY10854,NJDEP,PADEP	10/26/2016 06:21	10/26/2016 19:02	AMC
11096-82-5	Aroclor 1260	ND		ug/L	0.0463	0.0526	1	EPA 608 Certifications: CTDOH,NELAC-NY10854,NJDEP,PADEP	10/26/2016 06:21	10/26/2016 19:02	AMC
1336-36-3	* Total PCBs	ND		ug/L	0.0463	0.0526	1	EPA 608 Certifications: PADEP	10/26/2016 06:21	10/26/2016 19:02	AMC
Surrogate Recoveries		Result			Acceptance Range						
877-09-8	Surrogate: Tetrachloro-m-xylene	47.5 %			30-120						
2051-24-3	Surrogate: Decachlorobiphenyl	58.0 %			30-120						

Polychlorinated Biphenyls (PCB)

Log-in Notes:

Sample Notes:

Sample Prepared by Method: EPA SW846-3510C Low Level

CAS No.	Parameter	Result	Flag	Units	LOD/MDL	Reported to LOQ	Dilution	Reference Method	Date/Time Prepared	Date/Time Analyzed	Analyst
12674-11-2	Aroclor 1016	ND		ug/L	0.0526	0.0526	1	EPA 8082A Certifications: NELAC-NY10854,CTDOH,NJDEP,PADEP	10/26/2016 06:21	10/26/2016 19:02	AMC
11104-28-2	Aroclor 1221	ND		ug/L	0.0526	0.0526	1	EPA 8082A Certifications: NELAC-NY10854,CTDOH,NJDEP,PADEP	10/26/2016 06:21	10/26/2016 19:02	AMC
11141-16-5	Aroclor 1232	ND		ug/L	0.0526	0.0526	1	EPA 8082A Certifications: NELAC-NY10854,CTDOH,NJDEP,PADEP	10/26/2016 06:21	10/26/2016 19:02	AMC
53469-21-9	Aroclor 1242	ND		ug/L	0.0526	0.0526	1	EPA 8082A Certifications: NELAC-NY10854,CTDOH,NJDEP,PADEP	10/26/2016 06:21	10/26/2016 19:02	AMC
12672-29-6	Aroclor 1248	ND		ug/L	0.0526	0.0526	1	EPA 8082A Certifications: NELAC-NY10854,CTDOH,NJDEP,PADEP	10/26/2016 06:21	10/26/2016 19:02	AMC
11097-69-1	Aroclor 1254	ND		ug/L	0.0526	0.0526	1	EPA 8082A Certifications: NELAC-NY10854,CTDOH,NJDEP,PADEP	10/26/2016 06:21	10/26/2016 19:02	AMC
11096-82-5	Aroclor 1260	ND		ug/L	0.0526	0.0526	1	EPA 8082A Certifications: NELAC-NY10854,CTDOH,NJDEP,PADEP	10/26/2016 06:21	10/26/2016 19:02	AMC
1336-36-3	* Total PCBs	ND		ug/L	0.0526	0.0526	1	EPA 8082A Certifications:	10/26/2016 06:21	10/26/2016 19:02	AMC
Surrogate Recoveries		Result			Acceptance Range						
877-09-8	Surrogate: Tetrachloro-m-xylene	47.5 %			30-120						
2051-24-3	Surrogate: Decachlorobiphenyl	58.0 %			30-120						

Cadmium by EPA 200.7

Log-in Notes:

Sample Notes:

Sample Prepared by Method: EPA 3015A

CAS No.	Parameter	Result	Flag	Units	LOD/MDL	Reported to LOQ	Dilution	Reference Method	Date/Time Prepared	Date/Time Analyzed	Analyst
7440-43-9	Cadmium	ND		mg/L	0.00278	0.00333	1	EPA 200.7 Certifications: CTDOH,NELAC-NY10854,NJDEP,PADEP	10/24/2016 11:12	10/24/2016 15:59	KV

Copper by EPA 200.7

Log-in Notes:

Sample Notes:

HAZ-126



Sample Information

Client Sample ID: TWP-05

York Sample ID: 16J0789-02

York Project (SDG) No.
16J0789

Client Project ID
95th str sewer/water OEGS 15-008-0265

Matrix
Water

Collection Date/Time
October 21, 2016 9:00 am

Date Received
10/21/2016

Sample Prepared by Method: EPA 3015A

CAS No.	Parameter	Result	Flag	Units	LOD/MDL	Reported to LOQ	Dilution	Reference Method	Date/Time Prepared	Date/Time Analyzed	Analyst
7440-50-8	Copper	0.0176		mg/L	0.00111	0.00333	1	EPA 200.7 Certifications: CTDOH,NELAC-NY10854,NJDEP,PADEP	10/24/2016 11:12	10/24/2016 15:59	KV

Lead by EPA 200.7

Log-in Notes:

Sample Notes:

Sample Prepared by Method: EPA 3015A

CAS No.	Parameter	Result	Flag	Units	LOD/MDL	Reported to LOQ	Dilution	Reference Method	Date/Time Prepared	Date/Time Analyzed	Analyst
7439-92-1	Lead	ND		mg/L	0.00144	0.00333	1	EPA 200.7 Certifications: CTDOH,NELAC-NY10854,NJDEP,PADEP	10/24/2016 11:12	10/24/2016 15:59	KV

Metals, Target Analyte, ICP

Log-in Notes:

Sample Notes:

Sample Prepared by Method: EPA 3015A

CAS No.	Parameter	Result	Flag	Units	LOD/MDL	Reported to LOQ	Dilution	Reference Method	Date/Time Prepared	Date/Time Analyzed	Analyst
7429-90-5	Aluminum	0.504		mg/L	0.0556	0.0556	1	EPA 6010C Certifications: CTDOH,NELAC-NY10854,NJDEP,PADEP	10/24/2016 11:12	10/24/2016 15:59	KV
7440-39-3	Barium	0.0387		mg/L	0.0111	0.0111	1	EPA 6010C Certifications: CTDOH,NELAC-NY10854,NJDEP,PADEP	10/24/2016 11:12	10/24/2016 15:59	KV
7440-70-2	Calcium	24.5		mg/L	0.0556	0.0556	1	EPA 6010C Certifications: CTDOH,NELAC-NY10854,NJDEP,PADEP	10/24/2016 11:12	10/24/2016 15:59	KV
7440-47-3	Chromium	ND		mg/L	0.00556	0.00556	1	EPA 6010C Certifications: CTDOH,NELAC-NY10854,NJDEP,PADEP	10/24/2016 11:12	10/24/2016 15:59	KV
7440-50-8	Copper	0.0176		mg/L	0.00333	0.00333	1	EPA 6010C Certifications: CTDOH,NELAC-NY10854,NJDEP,PADEP	10/24/2016 11:12	10/24/2016 15:59	KV
7439-89-6	Iron	1.79		mg/L	0.0222	0.0222	1	EPA 6010C Certifications: CTDOH,NELAC-NY10854,NJDEP,PADEP	10/24/2016 11:12	10/24/2016 15:59	KV
7439-92-1	Lead	ND		mg/L	0.00333	0.00333	1	EPA 6010C Certifications: CTDOH,NELAC-NY10854,NJDEP,PADEP	10/24/2016 11:12	10/24/2016 15:59	KV
7439-95-4	Magnesium	12.4		mg/L	0.0556	0.0556	1	EPA 6010C Certifications: CTDOH,NELAC-NY10854,NJDEP,PADEP	10/24/2016 11:12	10/24/2016 15:59	KV
7439-96-5	Manganese	0.0652		mg/L	0.00556	0.00556	1	EPA 6010C Certifications: CTDOH,NELAC-NY10854,NJDEP,PADEP	10/24/2016 11:12	10/24/2016 15:59	KV
7440-02-0	Nickel	0.0126		mg/L	0.00556	0.00556	1	EPA 6010C Certifications: CTDOH,NELAC-NY10854,NJDEP,PADEP	10/24/2016 11:12	10/24/2016 15:59	KV
7440-09-7	Potassium	7.60		mg/L	0.0556	0.0556	1	EPA 6010C Certifications: CTDOH,NELAC-NY10854,NJDEP,PADEP	10/24/2016 11:12	10/24/2016 15:59	KV
7782-49-2	Selenium	ND		mg/L	0.0111	0.0111	1	EPA 6010C Certifications: CTDOH,NELAC-NY10854,NJDEP,PADEP	10/24/2016 11:12	10/24/2016 15:59	KV
7440-22-4	Silver	ND		mg/L	0.00556	0.00556	1	EPA 6010C Certifications: CTDOH,NELAC-NY10854,NJDEP,PADEP	10/24/2016 11:12	10/24/2016 15:59	KV
7440-23-5	Sodium	135		mg/L	0.111	0.111	1	EPA 6010C Certifications: CTDOH,NELAC-NY10854,NJDEP,PADEP	10/24/2016 11:12	10/24/2016 15:59	KV
7440-62-2	Vanadium	ND		mg/L	0.0111	0.0111	1	EPA 6010C Certifications: CTDOH,NELAC-NY10854,NJDEP,PADEP	10/24/2016 11:12	10/24/2016 15:59	KV
7440-66-6	Zinc	0.0366		mg/L	0.0111	0.0111	1	EPA 6010C Certifications: CTDOH,NELAC-NY10854,NJDEP,PADEP	10/24/2016 11:12	10/24/2016 15:59	KV

Metals, Target Analyte, ICP Dissolved

Log-in Notes:

Sample Notes:

HAZ-127



Sample Information

Client Sample ID: TWP-05

York Sample ID: 16J0789-02

York Project (SDG) No.
16J0789

Client Project ID
95th str sewer/water OEGS 15-008-0265

Matrix
Water

Collection Date/Time
October 21, 2016 9:00 am

Date Received
10/21/2016

Sample Prepared by Method: EPA 3015A

CAS No.	Parameter	Result	Flag	Units	LOD/MDL	Reported to LOQ	Dilution	Reference Method	Date/Time Prepared	Date/Time Analyzed	Analyst
7429-90-5	Aluminum	0.0879		mg/L	0.0556	0.0556	1	EPA 6010C Certifications: CTDOH,NELAC-NY10854,NJDEP,PADEP	10/27/2016 11:21	10/27/2016 15:20	KV
7440-39-3	Barium	0.0297		mg/L	0.0111	0.0111	1	EPA 6010C Certifications: CTDOH,NELAC-NY10854,NJDEP,PADEP	10/27/2016 11:21	10/27/2016 15:20	KV
7440-70-2	Calcium	31.8		mg/L	0.0556	0.0556	1	EPA 6010C Certifications: CTDOH,NELAC-NY10854,NJDEP,PADEP	10/27/2016 11:21	10/27/2016 15:20	KV
7440-47-3	Chromium	ND		mg/L	0.00556	0.00556	1	EPA 6010C Certifications: CTDOH,NELAC-NY10854,NJDEP,PADEP	10/27/2016 11:21	10/27/2016 15:20	KV
7440-50-8	Copper	0.0192		mg/L	0.00333	0.00333	1	EPA 6010C Certifications: CTDOH,NELAC-NY10854,NJDEP,PADEP	10/27/2016 11:21	10/27/2016 15:20	KV
7439-89-6	Iron	0.238		mg/L	0.0222	0.0222	1	EPA 6010C Certifications: CTDOH,NELAC-NY10854,NJDEP,PADEP	10/27/2016 11:21	10/27/2016 15:20	KV
7439-92-1	Lead	ND		mg/L	0.00333	0.00333	1	EPA 6010C Certifications: CTDOH,NELAC-NY10854,NJDEP,PADEP	10/27/2016 11:21	10/27/2016 15:20	KV
7439-95-4	Magnesium	15.7		mg/L	0.0556	0.0556	1	EPA 6010C Certifications: CTDOH,NELAC-NY10854,NJDEP,PADEP	10/27/2016 11:21	10/27/2016 15:20	KV
7439-96-5	Manganese	0.0769		mg/L	0.00556	0.00556	1	EPA 6010C Certifications: CTDOH,NELAC-NY10854,NJDEP,PADEP	10/27/2016 11:21	10/27/2016 15:20	KV
7440-02-0	Nickel	ND		mg/L	0.00556	0.00556	1	EPA 6010C Certifications: CTDOH,NELAC-NY10854,NJDEP,PADEP	10/27/2016 11:21	10/27/2016 15:20	KV
7440-09-7	Potassium	10.0		mg/L	0.0556	0.0556	1	EPA 6010C Certifications: CTDOH,NELAC-NY10854,NJDEP,PADEP	10/27/2016 11:21	10/27/2016 15:20	KV
7440-22-4	Silver	ND		mg/L	0.00556	0.00556	1	EPA 6010C Certifications: CTDOH,NELAC-NY10854,NJDEP,PADEP	10/27/2016 11:21	10/27/2016 15:20	KV
7440-23-5	Sodium	172		mg/L	0.111	0.111	1	EPA 6010C Certifications: CTDOH,NELAC-NY10854,NJDEP,PADEP	10/27/2016 11:21	10/27/2016 15:20	KV
7440-62-2	Vanadium	0.0147		mg/L	0.0111	0.0111	1	EPA 6010C Certifications: CTDOH,NELAC-NY10854,NJDEP,PADEP	10/27/2016 11:21	10/27/2016 15:20	KV
7440-66-6	Zinc	0.0177		mg/L	0.0111	0.0111	1	EPA 6010C Certifications: CTDOH,NELAC-NY10854,NJDEP,PADEP	10/27/2016 11:21	10/27/2016 15:20	KV

Nickel by EPA 200.7

Log-in Notes:

Sample Notes:

Sample Prepared by Method: EPA 3015A

CAS No.	Parameter	Result	Flag	Units	LOD/MDL	Reported to LOQ	Dilution	Reference Method	Date/Time Prepared	Date/Time Analyzed	Analyst
7440-02-0	Nickel	0.0126		mg/L	0.00111	0.00556	1	EPA 200.7 Certifications: CTDOH,NELAC-NY10854,NJDEP,PADEP	10/24/2016 11:12	10/24/2016 15:59	KV

Zinc by EPA 200.7

Log-in Notes:

Sample Notes:

Sample Prepared by Method: EPA 3015A

CAS No.	Parameter	Result	Flag	Units	LOD/MDL	Reported to LOQ	Dilution	Reference Method	Date/Time Prepared	Date/Time Analyzed	Analyst
7440-66-6	Zinc	0.0366		mg/L	0.00256	0.0111	1	EPA 200.7 Certifications: CTDOH,NELAC-NY10854,NJDEP,PADEP	10/24/2016 11:12	10/24/2016 15:59	KV

Metals, Target Analyte, ICPMS

Log-in Notes:

Sample Notes:

Sample Prepared by Method: EPA 3015A

CAS No.	Parameter	Result	Flag	Units	LOD/MDL	Reported to LOQ	Dilution	Reference Method	Date/Time Prepared	Date/Time Analyzed	Analyst
120 RESEARCH DRIVE	STRATFORD, CT 06615						(203) 325-1371		FAX (203) 357-0166		

HAZ-128



Sample Information

Client Sample ID: TWP-05

York Sample ID: 16J0789-02

York Project (SDG) No. 16J0789	Client Project ID 95th str sewer/water OEGS 15-008-0265	Matrix Water	Collection Date/Time October 21, 2016 9:00 am	Date Received 10/21/2016
--	---	------------------------	---	------------------------------------

7440-36-0	Antimony	ND	ug/L	2.22	2.22	2	EPA 6020A	10/25/2016 08:02	10/26/2016 08:13	ALD
							Certifications:	CTDOH,NELAC-NY10854,NJDEP,PADEP		
7440-38-2	Arsenic	5.56	ug/L	2.22	2.22	2	EPA 6020A	10/25/2016 08:02	10/26/2016 08:13	ALD
							Certifications:	CTDOH,NELAC-NY10854,NJDEP,PADEP		
7440-41-7	Beryllium	ND	ug/L	0.667	0.667	2	EPA 6020A	10/25/2016 08:02	10/26/2016 08:13	ALD
							Certifications:	CTDOH,NELAC-NY10854,NJDEP,PADEP		
7440-43-9	Cadmium	ND	ug/L	1.11	1.11	2	EPA 6020A	10/25/2016 08:02	10/26/2016 08:13	ALD
							Certifications:	CTDOH,NELAC-NY10854,NJDEP,PADEP		
7439-98-7	Molybdenum	ND	ug/L	2.22	2.22	2	EPA 6020A	10/25/2016 08:02	10/26/2016 08:13	ALD
							Certifications:	CTDOH,NELAC-NY10854,NJDEP,PADEP		
7782-49-2	* Selenium	9.04	ug/L	2.22	2.22	2	EPA 6020A	10/25/2016 08:02	10/26/2016 08:13	ALD
							Certifications:			
7440-28-0	Thallium	ND	ug/L	2.22	2.22	2	EPA 6020A	10/25/2016 08:02	10/26/2016 08:13	ALD
							Certifications:	CTDOH,NELAC-NY10854,NJDEP,PADEP		

Metals, Target Analyte, ICPMS Dissolved

Log-in Notes:

Sample Notes:

Sample Prepared by Method: EPA 3015A

CAS No.	Parameter	Result	Flag	Units	LOD/MDL	Reported to LOQ	Dilution	Reference Method	Date/Time Prepared	Date/Time Analyzed	Analyst
7440-36-0	Antimony	ND		ug/L	2.22	2.22	2	EPA 6020A	10/26/2016 11:59	10/27/2016 01:59	ALD
								Certifications:	CTDOH,NELAC-NY10854,NJDEP,PADEP		
7440-38-2	Arsenic	3.56		ug/L	2.22	2.22	2	EPA 6020A	10/26/2016 11:59	10/27/2016 01:59	ALD
								Certifications:	CTDOH,NELAC-NY10854,NJDEP,PADEP		
7440-41-7	Beryllium	ND		ug/L	0.222	0.222	2	EPA 6020A	10/26/2016 11:59	10/27/2016 01:59	ALD
								Certifications:	CTDOH,NELAC-NY10854,NJDEP,PADEP		
7440-43-9	Cadmium	ND		ug/L	1.11	1.11	2	EPA 6020A	10/26/2016 11:59	10/27/2016 01:59	ALD
								Certifications:	CTDOH,NELAC-NY10854,NJDEP,PADEP		
7439-98-7	Molybdenum	ND		ug/L	2.22	2.22	2	EPA 6020A	10/26/2016 11:59	10/27/2016 01:59	ALD
								Certifications:	CTDOH,NELAC-NY10854,NJDEP,PADEP		
7782-49-2	* Selenium	ND		ug/L	2.22	2.22	2	EPA 6020A	10/26/2016 11:59	10/27/2016 01:59	ALD
								Certifications:			
7440-28-0	Thallium	ND		ug/L	2.22	2.22	2	EPA 6020A	10/26/2016 11:59	10/27/2016 01:59	ALD
								Certifications:	CTDOH,NELAC-NY10854,NJDEP,PADEP		

Mercury by 7473

Log-in Notes:

Sample Notes:

Sample Prepared by Method: EPA 7473 water

CAS No.	Parameter	Result	Flag	Units	LOD/MDL	Reported to LOQ	Dilution	Reference Method	Date/Time Prepared	Date/Time Analyzed	Analyst
7439-97-6	Mercury	ND		mg/L	0.00020	0.00020	1	EPA 7473	10/25/2016 06:37	10/26/2016 13:25	ALD
								Certifications:	CTDOH,NELAC-NY10854,NJDEP,PADEP		

Mercury by 7473, Dissolved

Log-in Notes:

Sample Notes:

Sample Prepared by Method: EPA 7473 water

CAS No.	Parameter	Result	Flag	Units	LOD/MDL	Reported to LOQ	Dilution	Reference Method	Date/Time Prepared	Date/Time Analyzed	Analyst
77-6	Mercury	ND		mg/L	0.00020	0.00020	1	EPA 7473	10/25/2016 06:37	10/26/2016 13:25	ALD
								Certifications:	CTDOH,NELAC-NY10854,NJDEP,PADEP		

HAZ-129



Sample Information

Client Sample ID: TWP-05

York Sample ID: 16J0789-02

York Project (SDG) No.
16J0789

Client Project ID
95th str sewer/water OEGS 15-008-0265

Matrix
Water

Collection Date/Time
October 21, 2016 9:00 am

Date Received
10/21/2016

Mercury by EPA 245.1

Log-in Notes:

Sample Notes:

Sample Prepared by Method: EPA 245.1 Mercury

CAS No.	Parameter	Result	Flag	Units	LOD/MDL	Reported to LOQ	Dilution	Reference Method	Date/Time Prepared	Date/Time Analyzed	Analyst
7439-97-6	Mercury	ND		mg/L	0.00009500	0.000200	1	EPA 245.1 Certifications: CTDOH,NELAC-NY10854,NJDEP,PADEP	10/24/2016 19:59	10/24/2016 19:59	AA

Flashpoint

Log-in Notes:

Sample Notes:

Sample Prepared by Method: Analysis Preparation

CAS No.	Parameter	Result	Flag	Units	LOD/MDL	Reported to LOQ	Dilution	Reference Method	Date/Time Prepared	Date/Time Analyzed	Analyst
	* Flashpoint	> 200		°F	50.0	50.0	1	ASTM D93 Certifications:	10/24/2016 20:50	10/25/2016 01:33	AA

Total Solids (Aq)

Log-in Notes:

Sample Notes:

Sample Prepared by Method: % Solids Prep

CAS No.	Parameter	Result	Flag	Units	LOD/MDL	Reported to LOQ	Dilution	Reference Method	Date/Time Prepared	Date/Time Analyzed	Analyst
	Total Solids	850		mg/L	10.0	10.0	1	SM 2540B Certifications: NELAC-NY10854,CTDOH,NJDEP,PADEP	10/24/2016 19:56	10/25/2016 17:24	AA

Total Suspended Solids

Log-in Notes:

Sample Notes:

Sample Prepared by Method: % Solids Prep

CAS No.	Parameter	Result	Flag	Units	LOD/MDL	Reported to LOQ	Dilution	Reference Method	Date/Time Prepared	Date/Time Analyzed	Analyst
	Total Suspended Solids	30.4		mg/L	4.00	4.00	1	SM 2540D Certifications: NELAC-NY10854,CTDOH,NJDEP,PADEP	10/27/2016 00:03	10/27/2016 16:17	AA

Chloride

Log-in Notes:

Sample Notes:

Sample Prepared by Method: EPA 300

CAS No.	Parameter	Result	Flag	Units	LOD/MDL	Reported to LOQ	Dilution	Reference Method	Date/Time Prepared	Date/Time Analyzed	Analyst
16887-00-6	Chloride	256		mg/L	0.690	5.00	10	EPA 300.0 Certifications: CTDOH,NELAC-NY10854,NJDEP,PADEP	10/24/2016 18:32	10/24/2016 18:32	AD

Nitrate as N

Log-in Notes:

Sample Notes:

Sample Prepared by Method: EPA 300

CAS No.	Parameter	Result	Flag	Units	LOD/MDL	Reported to LOQ	Dilution	Reference Method	Date/Time Prepared	Date/Time Analyzed	Analyst
14797-55-8	Nitrate as N	ND		mg/L	0.0120	0.0500	1	EPA 300.0 Certifications: NELAC-NY10854,CTDOH,NJDEP,PADEP	10/22/2016 02:25	10/22/2016 02:25	TJM

Nitrite as N

Log-in Notes:

Sample Notes:

Sample Prepared by Method: EPA 300

CAS No.	Parameter	Result	Flag	Units	LOD/MDL	Reported to LOQ	Dilution	Reference Method	Date/Time Prepared	Date/Time Analyzed	Analyst
14797-65-0	Nitrite as N	0.0157		mg/L	0.00400	0.0500	1	EPA 300.0 Certifications: NELAC-NY10854,CTDOH,PADEP	10/22/2016 02:25	10/22/2016 02:25	TJ

HAZ-130



Sample Information

Client Sample ID: TWP-05 **York Sample ID:** 16J0789-02
York Project (SDG) No. 16J0789 **Client Project ID** 95th str sewer/water OEGS 15-008-0265 **Matrix** Water **Collection Date/Time** October 21, 2016 9:00 am **Date Received** 10/21/2016

Carbonaceous BOD 5-Day

Log-in Notes:

Sample Notes:

Sample Prepared by Method: Analysis Preparation

CAS No.	Parameter	Result	Flag	Units	LOD/MDL	Reported to LOQ	Dilution	Reference Method	Date/Time Prepared	Date/Time Analyzed	Analyst
	Carbonaceous BOD (5-Day)	ND		mg/L	2.0	2.0	2	SM 5210 B	10/21/2016 18:23	10/26/2016 15:08	PAM
Certifications: CTDOH,NELAC-NY10854,NJDEP											

Hexavalent Chromium

Log-in Notes:

Sample Notes:

Sample Prepared by Method: Analysis Preparation

CAS No.	Parameter	Result	Flag	Units	LOD/MDL	Reported to LOQ	Dilution	Reference Method	Date/Time Prepared	Date/Time Analyzed	Analyst
18540-29-9	Chromium, Hexavalent	ND		mg/L	0.00600	0.0100	1	SM 3500-Cr B	10/21/2016 16:08	10/21/2016 20:18	TJM
Certifications: NELAC-NY10854,NJDEP,CTDOH,PADEP											

Non-Polar Material

Log-in Notes:

Sample Notes:

Sample Prepared by Method: Analysis Preparation

CAS No.	Parameter	Result	Flag	Units	LOD/MDL	Reported to LOQ	Dilution	Reference Method	Date/Time Prepared	Date/Time Analyzed	Analyst
	Non-Polar Material	ND		mg/L	0.500	0.500	1	EPA 1664A	10/27/2016 15:06	10/27/2016 15:08	AA
Certifications: CTDOH,NELAC-NY10854,NJDEP											

pH

Log-in Notes:

Sample Notes:

Sample Prepared by Method: Analysis Preparation

CAS No.	Parameter	Result	Flag	Units	LOD/MDL	Reported to LOQ	Dilution	Reference Method	Date/Time Prepared	Date/Time Analyzed	Analyst
	* pH	6.72	HT-pH	pH units		0.500	1	SM 4500 H+B	10/24/2016 12:50	10/24/2016 13:26	TJM
Certifications: CTDOH											

Phenols, total

Log-in Notes:

Sample Notes:

Sample Prepared by Method: Analysis Preparation

CAS No.	Parameter	Result	Flag	Units	LOD/MDL	Reported to LOQ	Dilution	Reference Method	Date/Time Prepared	Date/Time Analyzed	Analyst
64743-03-9	Phenols, total	ND		mg/L	0.0500	0.0500	1	EPA 420.1/2	10/25/2016 07:58	10/25/2016 15:27	SC
Certifications: NELAC-NY10854,CTDOH,NJDEP,PADEP											

Total Kjeldahl Nitrogen

Log-in Notes:

Sample Notes:

Sample Prepared by Method: Analysis Prep for SAA

CAS No.	Parameter	Result	Flag	Units	LOD/MDL	Reported to LOQ	Dilution	Reference Method	Date/Time Prepared	Date/Time Analyzed	Analyst
	Total Kjeldahl Nitrogen	2.44		mg/L	0.400	0.400	1	SM 4500-N Org D	10/25/2016 10:23	10/28/2016 14:04	PAM
Certifications: NELAC-NY10854,CTDOH,NJDEP,PADEP											

Total Nitrogen

Log-in Notes:

Sample Notes:

Sample Prepared by Method: Method Specific

CAS No.	Parameter	Result	Flag	Units	LOD/MDL	Reported to LOQ	Dilution	Reference Method	Date/Time Prepared	Date/Time Analyzed	Analyst
	Total Nitrogen Calculated Analyte	2.46		mg/L	0.00400	0.0500	1	Nitrogen Calc	10/25/2016 10:23	10/28/2016 14:04	PAM
Certifications:											

HAZ-131



Sample Information

Client Sample ID: TWP-01 DUP

York Sample ID: 16J0789-03

York Project (SDG) No.
16J0789

Client Project ID
95th str sewer/water OEGS 15-008-0265

Matrix
Water

Collection Date/Time
October 21, 2016 10:45 am

Date Received
10/21/2016

Volatiles Organics, 8260 - Comprehensive

Log-in Notes:

Sample Notes:

Sample Prepared by Method: EPA 5030B

CAS No.	Parameter	Result	Flag	Units	Reported to LOD/MDL	LOQ	Dilution	Reference Method	Date/Time Prepared	Date/Time Analyzed	Analyst
630-20-6	1,1,1,2-Tetrachloroethane	ND		ug/L	0.20	0.50	1	EPA 8260C Certifications: CTDOH,NELAC-NY10854,NJDEP	10/27/2016 08:00	10/27/2016 16:18	SS
71-55-6	1,1,1-Trichloroethane	ND		ug/L	0.20	0.50	1	EPA 8260C Certifications: CTDOH,NELAC-NY10854,NJDEP	10/27/2016 08:00	10/27/2016 16:18	SS
79-34-5	1,1,2,2-Tetrachloroethane	ND		ug/L	0.20	0.50	1	EPA 8260C Certifications: CTDOH,NELAC-NY10854,NJDEP	10/27/2016 08:00	10/27/2016 16:18	SS
76-13-1	1,1,2-Trichloro-1,2,2-trifluoroethane (Freon 113)	ND		ug/L	0.20	0.50	1	EPA 8260C Certifications: CTDOH,NELAC-NY10854,NJDEP	10/27/2016 08:00	10/27/2016 16:18	SS
79-00-5	1,1,2-Trichloroethane	ND		ug/L	0.20	0.50	1	EPA 8260C Certifications: CTDOH,NELAC-NY10854,NJDEP	10/27/2016 08:00	10/27/2016 16:18	SS
75-34-3	1,1-Dichloroethane	ND		ug/L	0.20	0.50	1	EPA 8260C Certifications: CTDOH,NELAC-NY10854,NJDEP	10/27/2016 08:00	10/27/2016 16:18	SS
75-35-4	1,1-Dichloroethylene	ND		ug/L	0.20	0.50	1	EPA 8260C Certifications: CTDOH,NELAC-NY10854,NJDEP	10/27/2016 08:00	10/27/2016 16:18	SS
87-61-6	1,2,3-Trichlorobenzene	ND		ug/L	0.20	0.50	1	EPA 8260C Certifications: NELAC-NY10854,NJDEP	10/27/2016 08:00	10/27/2016 16:18	SS
96-18-4	1,2,3-Trichloropropane	ND		ug/L	0.20	0.50	1	EPA 8260C Certifications: NELAC-NY10854,NJDEP	10/27/2016 08:00	10/27/2016 16:18	SS
120-82-1	1,2,4-Trichlorobenzene	ND		ug/L	0.20	0.50	1	EPA 8260C Certifications: NELAC-NY10854,NJDEP	10/27/2016 08:00	10/27/2016 16:18	SS
95-63-6	1,2,4-Trimethylbenzene	ND		ug/L	0.20	0.50	1	EPA 8260C Certifications: CTDOH,NELAC-NY10854,NJDEP	10/27/2016 08:00	10/27/2016 16:18	SS
96-12-8	1,2-Dibromo-3-chloropropane	ND		ug/L	0.20	2.0	1	EPA 8260C Certifications: CTDOH,NELAC-NY10854,NJDEP	10/27/2016 08:00	10/27/2016 16:18	SS
106-93-4	1,2-Dibromoethane	ND		ug/L	0.20	0.50	1	EPA 8260C Certifications: CTDOH,NELAC-NY10854,NJDEP	10/27/2016 08:00	10/27/2016 16:18	SS
95-50-1	1,2-Dichlorobenzene	ND		ug/L	0.20	0.50	1	EPA 8260C Certifications: CTDOH,NELAC-NY10854,NJDEP	10/27/2016 08:00	10/27/2016 16:18	SS
107-06-2	1,2-Dichloroethane	ND		ug/L	0.20	0.50	1	EPA 8260C Certifications: CTDOH,NELAC-NY10854,NJDEP	10/27/2016 08:00	10/27/2016 16:18	SS
78-87-5	1,2-Dichloropropane	ND		ug/L	0.20	0.50	1	EPA 8260C Certifications: CTDOH,NELAC-NY10854,NJDEP	10/27/2016 08:00	10/27/2016 16:18	SS
108-67-8	1,3,5-Trimethylbenzene	ND		ug/L	0.20	0.50	1	EPA 8260C Certifications: CTDOH,NELAC-NY10854,NJDEP	10/27/2016 08:00	10/27/2016 16:18	SS
541-73-1	1,3-Dichlorobenzene	ND		ug/L	0.20	0.50	1	EPA 8260C Certifications: CTDOH,NELAC-NY10854,NJDEP	10/27/2016 08:00	10/27/2016 16:18	SS
106-46-7	1,4-Dichlorobenzene	ND		ug/L	0.20	0.50	1	EPA 8260C Certifications: CTDOH,NELAC-NY10854,NJDEP	10/27/2016 08:00	10/27/2016 16:18	SS
123-91-1	1,4-Dioxane	ND		ug/L	40	40	1	EPA 8260C Certifications: NELAC-NY10854,NJDEP	10/27/2016 08:00	10/27/2016 16:18	SS
78-93-3	2-Butanone	ND		ug/L	0.20	2.0	1	EPA 8260C Certifications: CTDOH,NELAC-NY10854,NJDEP	10/27/2016 08:00	10/27/2016 16:18	SS

HAZ-132



Sample Information

Client Sample ID: TWP-01 DUP

York Sample ID: 16J0789-03

York Project (SDG) No.
16J0789

Client Project ID
95th str sewer/water OEGS 15-008-0265

Matrix
Water

Collection Date/Time
October 21, 2016 10:45 am

Date Received
10/21/2016

Volatile Organics, 8260 - Comprehensive

Log-in Notes:

Sample Notes:

Sample Prepared by Method: EPA 5030B

CAS No.	Parameter	Result	Flag	Units	Reported to LOD/MDL	LOQ	Dilution	Reference Method	Date/Time Prepared	Date/Time Analyzed	Analyst
591-78-6	2-Hexanone	ND		ug/L	0.20	2.0	1	EPA 8260C Certifications: CTDOH,NELAC-NY10854,NJDEP	10/27/2016 08:00	10/27/2016 16:18	SS
108-10-1	4-Methyl-2-pentanone	ND		ug/L	0.20	2.0	1	EPA 8260C Certifications: CTDOH,NELAC-NY10854,NJDEP	10/27/2016 08:00	10/27/2016 16:18	SS
67-64-1	Acetone	ND		ug/L	1.0	2.0	1	EPA 8260C Certifications: CTDOH,NELAC-NY10854,NJDEP	10/27/2016 08:00	10/27/2016 16:18	SS
107-02-8	Acrolein	ND		ug/L	0.20	0.50	1	EPA 8260C Certifications: CTDOH,NELAC-NY10854,NJDEP	10/27/2016 08:00	10/27/2016 16:18	SS
107-13-1	Acrylonitrile	ND		ug/L	0.20	2.0	1	EPA 8260C Certifications: CTDOH,NELAC-NY10854,NJDEP	10/27/2016 08:00	10/27/2016 16:18	SS
71-43-2	Benzene	ND		ug/L	0.20	0.50	1	EPA 8260C Certifications: CTDOH,NELAC-NY10854,NJDEP	10/27/2016 08:00	10/27/2016 16:18	SS
74-97-5	Bromochloromethane	ND		ug/L	0.20	0.50	1	EPA 8260C Certifications: NELAC-NY10854,NJDEP	10/27/2016 08:00	10/27/2016 16:18	SS
74-27-4	Bromodichloromethane	ND		ug/L	0.20	0.50	1	EPA 8260C Certifications: CTDOH,NELAC-NY10854,NJDEP	10/27/2016 08:00	10/27/2016 16:18	SS
75-25-2	Bromoform	ND		ug/L	0.20	0.50	1	EPA 8260C Certifications: CTDOH,NELAC-NY10854,NJDEP	10/27/2016 08:00	10/27/2016 16:18	SS
74-83-9	Bromomethane	ND		ug/L	0.20	2.0	1	EPA 8260C Certifications: CTDOH,NELAC-NY10854,NJDEP	10/27/2016 08:00	10/27/2016 16:18	SS
75-15-0	Carbon disulfide	ND		ug/L	0.20	0.50	1	EPA 8260C Certifications: CTDOH,NELAC-NY10854,NJDEP	10/27/2016 08:00	10/27/2016 16:18	SS
56-23-5	Carbon tetrachloride	ND		ug/L	0.20	0.50	1	EPA 8260C Certifications: CTDOH,NELAC-NY10854,NJDEP	10/27/2016 08:00	10/27/2016 16:18	SS
108-90-7	Chlorobenzene	ND		ug/L	0.20	0.50	1	EPA 8260C Certifications: CTDOH,NELAC-NY10854,NJDEP	10/27/2016 08:00	10/27/2016 16:18	SS
75-00-3	Chloroethane	ND		ug/L	0.20	0.50	1	EPA 8260C Certifications: CTDOH,NELAC-NY10854,NJDEP	10/27/2016 08:00	10/27/2016 16:18	SS
67-66-3	Chloroform	ND		ug/L	0.20	0.50	1	EPA 8260C Certifications: CTDOH,NELAC-NY10854,NJDEP	10/27/2016 08:00	10/27/2016 16:18	SS
74-87-3	Chloromethane	ND		ug/L	0.20	0.50	1	EPA 8260C Certifications: CTDOH,NELAC-NY10854,NJDEP	10/27/2016 08:00	10/27/2016 16:18	SS
156-59-2	cis-1,2-Dichloroethylene	ND		ug/L	0.20	0.50	1	EPA 8260C Certifications: CTDOH,NELAC-NY10854,NJDEP	10/27/2016 08:00	10/27/2016 16:18	SS
10061-01-5	cis-1,3-Dichloropropylene	ND		ug/L	0.20	0.50	1	EPA 8260C Certifications: CTDOH,NELAC-NY10854,NJDEP	10/27/2016 08:00	10/27/2016 16:18	SS
110-82-7	Cyclohexane	ND		ug/L	0.20	0.50	1	EPA 8260C Certifications: NELAC-NY10854,NJDEP	10/27/2016 08:00	10/27/2016 16:18	SS
124-48-1	Dibromochloromethane	ND		ug/L	0.20	0.50	1	EPA 8260C Certifications: CTDOH,NELAC-NY10854,NJDEP	10/27/2016 08:00	10/27/2016 16:18	SS
74-95-3	Dibromomethane	ND		ug/L	0.20	0.50	1	EPA 8260C Certifications: NELAC-NY10854,NJDEP	10/27/2016 08:00	10/27/2016 16:18	SS
75-71-8	Dichlorodifluoromethane	ND		ug/L	0.20	0.50	1	EPA 8260C Certifications: NELAC-NY10854,NJDEP	10/27/2016 08:00	10/27/2016 16:18	SS

HAZ-133



Sample Information

Client Sample ID: TWP-01 DUP

York Sample ID: 16J0789-03

York Project (SDG) No.
16J0789

Client Project ID
95th str sewer/water OEGS 15-008-0265

Matrix
Water

Collection Date/Time
October 21, 2016 10:45 am

Date Received
10/21/2016

Volatiles Organics, 8260 - Comprehensive

Log-in Notes:

Sample Notes:

Sample Prepared by Method: EPA 5030B

CAS No.	Parameter	Result	Flag	Units	Reported to LOD/MDL	LOQ	Dilution	Reference Method	Date/Time Prepared	Date/Time Analyzed	Analyst
100-41-4	Ethyl Benzene	ND		ug/L	0.20	0.50	1	EPA 8260C Certifications: CTDOH,NELAC-NY10854,NJDEP	10/27/2016 08:00	10/27/2016 16:18	SS
87-68-3	Hexachlorobutadiene	ND		ug/L	0.20	0.50	1	EPA 8260C Certifications: NELAC-NY10854,NJDEP	10/27/2016 08:00	10/27/2016 16:18	SS
98-82-8	Isopropylbenzene	ND		ug/L	0.20	0.50	1	EPA 8260C Certifications: CTDOH,NELAC-NY10854,NJDEP	10/27/2016 08:00	10/27/2016 16:18	SS
79-20-9	Methyl acetate	ND		ug/L	0.20	0.50	1	EPA 8260C Certifications: NELAC-NY10854,NJDEP	10/27/2016 08:00	10/27/2016 16:18	SS
1634-04-4	Methyl tert-butyl ether (MTBE)	ND		ug/L	0.20	0.50	1	EPA 8260C Certifications: CTDOH,NELAC-NY10854,NJDEP	10/27/2016 08:00	10/27/2016 16:18	SS
108-87-2	Methylcyclohexane	ND		ug/L	0.20	0.50	1	EPA 8260C Certifications: NELAC-NY10854,NJDEP	10/27/2016 08:00	10/27/2016 16:18	SS
75-09-2	Methylene chloride	ND		ug/L	1.0	2.0	1	EPA 8260C Certifications: CTDOH,NELAC-NY10854,NJDEP	10/27/2016 08:00	10/27/2016 16:18	SS
104-51-8	n-Butylbenzene	ND		ug/L	0.20	0.50	1	EPA 8260C Certifications: CTDOH,NELAC-NY10854,NJDEP	10/27/2016 08:00	10/27/2016 16:18	SS
103-65-1	n-Propylbenzene	ND		ug/L	0.20	0.50	1	EPA 8260C Certifications: CTDOH,NELAC-NY10854,NJDEP	10/27/2016 08:00	10/27/2016 16:18	SS
95-47-6	o-Xylene	ND		ug/L	0.20	0.50	1	EPA 8260C Certifications: NELAC-NY10854	10/27/2016 08:00	10/27/2016 16:18	SS
179601-23-1	p- & m- Xylenes	ND		ug/L	0.50	1.0	1	EPA 8260C Certifications: NELAC-NY10854	10/27/2016 08:00	10/27/2016 16:18	SS
99-87-6	p-Isopropyltoluene	ND		ug/L	0.20	0.50	1	EPA 8260C Certifications: CTDOH,NELAC-NY10854,NJDEP	10/27/2016 08:00	10/27/2016 16:18	SS
135-98-8	sec-Butylbenzene	ND		ug/L	0.20	0.50	1	EPA 8260C Certifications: CTDOH,NELAC-NY10854,NJDEP	10/27/2016 08:00	10/27/2016 16:18	SS
100-42-5	Styrene	ND		ug/L	0.20	0.50	1	EPA 8260C Certifications: CTDOH,NELAC-NY10854,NJDEP	10/27/2016 08:00	10/27/2016 16:18	SS
75-65-0	tert-Butyl alcohol (TBA)	ND		ug/L	0.50	2.0	1	EPA 8260C Certifications: NELAC-NY10854,NJDEP	10/27/2016 08:00	10/27/2016 16:18	SS
98-06-6	tert-Butylbenzene	ND		ug/L	0.20	0.50	1	EPA 8260C Certifications: CTDOH,NELAC-NY10854,NJDEP	10/27/2016 08:00	10/27/2016 16:18	SS
127-18-4	Tetrachloroethylene	ND		ug/L	0.20	0.50	1	EPA 8260C Certifications: CTDOH,NELAC-NY10854,NJDEP	10/27/2016 08:00	10/27/2016 16:18	SS
108-88-3	Toluene	ND		ug/L	0.20	0.50	1	EPA 8260C Certifications: CTDOH,NELAC-NY10854,NJDEP	10/27/2016 08:00	10/27/2016 16:18	SS
156-60-5	trans-1,2-Dichloroethylene	ND		ug/L	0.20	0.50	1	EPA 8260C Certifications: CTDOH,NELAC-NY10854,NJDEP	10/27/2016 08:00	10/27/2016 16:18	SS
10061-02-6	trans-1,3-Dichloropropylene	ND		ug/L	0.20	0.50	1	EPA 8260C Certifications: CTDOH,NELAC-NY10854,NJDEP	10/27/2016 08:00	10/27/2016 16:18	SS
79-01-6	Trichloroethylene	ND		ug/L	0.20	0.50	1	EPA 8260C Certifications: CTDOH,NELAC-NY10854,NJDEP	10/27/2016 08:00	10/27/2016 16:18	SS
75-69-4	Trichlorofluoromethane	ND		ug/L	0.20	0.50	1	EPA 8260C Certifications: CTDOH,NELAC-NY10854,NJDEP	10/27/2016 08:00	10/27/2016 16:18	SS



Sample Information

Client Sample ID: TWP-01 DUP

York Sample ID: 16J0789-03

York Project (SDG) No.
16J0789

Client Project ID
95th str sewer/water OEGS 15-008-0265

Matrix
Water

Collection Date/Time
October 21, 2016 10:45 am

Date Received
10/21/2016

Volatile Organics, 8260 - Comprehensive

Log-in Notes:

Sample Notes:

Sample Prepared by Method: EPA 5030B

CAS No.	Parameter	Result	Flag	Units	Reported to LOD/MDL	LOQ	Dilution	Reference Method	Date/Time Prepared	Date/Time Analyzed	Analyst
75-01-4	Vinyl Chloride	ND		ug/L	0.20	0.50	1	EPA 8260C Certifications: CTDOH,NELAC-NY10854,NJDEP	10/27/2016 08:00	10/27/2016 16:18	SS
1330-20-7	* Xylenes, Total	ND		ug/L	0.60	1.5	1	EPA 8260C Certifications: CTDOH,NJDEP	10/27/2016 08:00	10/27/2016 16:18	SS
Surrogate Recoveries		Result			Acceptance Range						
17060-07-0	Surrogate: 1,2-Dichloroethane-d4	104 %			69-130						
2037-26-5	Surrogate: Toluene-d8	96.2 %			81-117						
460-00-4	Surrogate: p-Bromofluorobenzene	92.3 %			79-122						

Semi-Volatiles, 8270 - Comprehensive

Log-in Notes:

Sample Notes:

Sample Prepared by Method: EPA 3510C

CAS No.	Parameter	Result	Flag	Units	Reported to LOD/MDL	LOQ	Dilution	Reference Method	Date/Time Prepared	Date/Time Analyzed	Analyst
82-4	1,1'-Biphenyl	ND		ug/L	2.78	5.56	1	EPA 8270D Certifications: NELAC-NY10854,NJDEP,PADEP	10/26/2016 14:53	10/27/2016 12:48	KH
95-94-3	1,2,4,5-Tetrachlorobenzene	ND		ug/L	2.78	5.56	1	EPA 8270D Certifications: NELAC-NY10854,NJDEP,PADEP	10/26/2016 14:53	10/27/2016 12:48	KH
122-66-7	1,2-Diphenylhydrazine (as Azobenzene)	ND		ug/L	2.78	5.56	1	EPA 8270D Certifications: NELAC-NY10854,NJDEP,PADEP	10/26/2016 14:53	10/27/2016 12:48	KH
58-90-2	2,3,4,6-Tetrachlorophenol	ND		ug/L	2.78	5.56	1	EPA 8270D Certifications: NELAC-NY10854,NJDEP,PADEP	10/26/2016 14:53	10/27/2016 12:48	KH
95-95-4	2,4,5-Trichlorophenol	ND		ug/L	2.78	5.56	1	EPA 8270D Certifications: CTDOH,NELAC-NY10854,NJDEP,PADEP	10/26/2016 14:53	10/27/2016 12:48	KH
88-06-2	2,4,6-Trichlorophenol	ND		ug/L	2.78	5.56	1	EPA 8270D Certifications: CTDOH,NELAC-NY10854,NJDEP,PADEP	10/26/2016 14:53	10/27/2016 12:48	KH
120-82-1	1,2,4-Trichlorobenzene	ND		ug/L	2.78	5.56	1	EPA 8270D Certifications: CTDOH,NELAC-NY10854,NJDEP,PADEP	10/26/2016 14:53	10/27/2016 12:48	KH
120-83-2	2,4-Dichlorophenol	ND		ug/L	2.78	5.56	1	EPA 8270D Certifications: CTDOH,NELAC-NY10854,NJDEP,PADEP	10/26/2016 14:53	10/27/2016 12:48	KH
105-67-9	2,4-Dimethylphenol	ND		ug/L	2.78	5.56	1	EPA 8270D Certifications: CTDOH,NELAC-NY10854,NJDEP,PADEP	10/26/2016 14:53	10/27/2016 12:48	KH
51-28-5	2,4-Dinitrophenol	ND		ug/L	2.78	5.56	1	EPA 8270D Certifications: CTDOH,NELAC-NY10854,NJDEP,PADEP	10/26/2016 14:53	10/27/2016 12:48	KH
121-14-2	2,4-Dinitrotoluene	ND		ug/L	2.78	5.56	1	EPA 8270D Certifications: CTDOH,NELAC-NY10854,NJDEP,PADEP	10/26/2016 14:53	10/27/2016 12:48	KH
95-50-1	1,2-Dichlorobenzene	ND		ug/L	2.78	5.56	1	EPA 8270D Certifications: NELAC-NY10854,PADEP	10/26/2016 14:53	10/27/2016 12:48	KH
606-20-2	2,6-Dinitrotoluene	ND		ug/L	2.78	5.56	1	EPA 8270D Certifications: CTDOH,NELAC-NY10854,NJDEP,PADEP	10/26/2016 14:53	10/27/2016 12:48	KH
88-7	2-Chloronaphthalene	ND		ug/L	2.78	5.56	1	EPA 8270D Certifications: CTDOH,NELAC-NY10854,NJDEP,PADEP	10/26/2016 14:53	10/27/2016 12:48	KH
95-57-8	2-Chlorophenol	ND		ug/L	2.78	5.56	1	EPA 8270D Certifications: CTDOH,NELAC-NY10854,NJDEP,PADEP	10/26/2016 14:53	10/27/2016 12:48	KH

HAZ-135



Sample Information

Client Sample ID: TWP-01 DUP

York Sample ID: 16J0789-03

York Project (SDG) No.
16J0789

Client Project ID
95th str sewer/water OEGS 15-008-0265

Matrix
Water

Collection Date/Time
October 21, 2016 10:45 am

Date Received
10/21/2016

Semi-Volatiles, 8270 - Comprehensive

Log-in Notes:

Sample Notes:

Sample Prepared by Method: EPA 3510C

CAS No.	Parameter	Result	Flag	Units	Reported to LOD/MDL	LOQ	Dilution	Reference Method	Date/Time Prepared	Date/Time Analyzed	Analyst
91-57-6	2-Methylnaphthalene	ND		ug/L	2.78	5.56	1	EPA 8270D Certifications: CTDOH,NELAC-NY10854,NJDEP,PADEP	10/26/2016 14:53	10/27/2016 12:48	KH
541-73-1	1,3-Dichlorobenzene	ND		ug/L	2.78	5.56	1	EPA 8270D Certifications: NELAC-NY10854,PADEP	10/26/2016 14:53	10/27/2016 12:48	KH
95-48-7	2-Methylphenol	ND		ug/L	2.78	5.56	1	EPA 8270D Certifications: CTDOH,NELAC-NY10854,NJDEP,PADEP	10/26/2016 14:53	10/27/2016 12:48	KH
88-74-4	2-Nitroaniline	ND		ug/L	2.78	5.56	1	EPA 8270D Certifications: CTDOH,NELAC-NY10854,NJDEP,PADEP	10/26/2016 14:53	10/27/2016 12:48	KH
106-46-7	1,4-Dichlorobenzene	ND		ug/L	2.78	5.56	1	EPA 8270D Certifications: NELAC-NY10854,PADEP	10/26/2016 14:53	10/27/2016 12:48	KH
88-75-5	2-Nitrophenol	ND		ug/L	2.78	5.56	1	EPA 8270D Certifications: CTDOH,NELAC-NY10854,NJDEP,PADEP	10/26/2016 14:53	10/27/2016 12:48	KH
65794-96-9	3- & 4-Methylphenols	ND		ug/L	2.78	5.56	1	EPA 8270D Certifications: CTDOH,NELAC-NY10854,NJDEP,PADEP	10/26/2016 14:53	10/27/2016 12:48	KH
91-94-1	3,3'-Dichlorobenzidine	ND		ug/L	2.78	5.56	1	EPA 8270D Certifications: CTDOH,NELAC-NY10854,NJDEP,PADEP	10/26/2016 14:53	10/27/2016 12:48	KH
99-09-2	3-Nitroaniline	ND		ug/L	2.78	5.56	1	EPA 8270D Certifications: CTDOH,NELAC-NY10854,NJDEP,PADEP	10/26/2016 14:53	10/27/2016 12:48	KH
534-52-1	4,6-Dinitro-2-methylphenol	ND		ug/L	2.78	5.56	1	EPA 8270D Certifications: CTDOH,NELAC-NY10854,NJDEP,PADEP	10/26/2016 14:53	10/27/2016 12:48	KH
101-55-3	4-Bromophenyl phenyl ether	ND		ug/L	2.78	5.56	1	EPA 8270D Certifications: CTDOH,NELAC-NY10854,NJDEP,PADEP	10/26/2016 14:53	10/27/2016 12:48	KH
59-50-7	4-Chloro-3-methylphenol	ND		ug/L	2.78	5.56	1	EPA 8270D Certifications: CTDOH,NELAC-NY10854,NJDEP,PADEP	10/26/2016 14:53	10/27/2016 12:48	KH
106-47-8	4-Chloroaniline	ND		ug/L	2.78	5.56	1	EPA 8270D Certifications: CTDOH,NELAC-NY10854,NJDEP,PADEP	10/26/2016 14:53	10/27/2016 12:48	KH
7005-72-3	4-Chlorophenyl phenyl ether	ND		ug/L	2.78	5.56	1	EPA 8270D Certifications: CTDOH,NELAC-NY10854,NJDEP,PADEP	10/26/2016 14:53	10/27/2016 12:48	KH
100-01-6	4-Nitroaniline	ND		ug/L	2.78	5.56	1	EPA 8270D Certifications: CTDOH,NELAC-NY10854,NJDEP,PADEP	10/26/2016 14:53	10/27/2016 12:48	KH
100-02-7	4-Nitrophenol	ND		ug/L	2.78	5.56	1	EPA 8270D Certifications: CTDOH,NELAC-NY10854,NJDEP,PADEP	10/26/2016 14:53	10/27/2016 12:48	KH
83-32-9	Acenaphthene	ND		ug/L	0.0556	0.0556	1	EPA 8270D Certifications: CTDOH,NELAC-NY10854,NJDEP,PADEP	10/26/2016 14:53	10/27/2016 12:08	SR
208-96-8	Acenaphthylene	ND		ug/L	0.0556	0.0556	1	EPA 8270D Certifications: CTDOH,NELAC-NY10854,NJDEP,PADEP	10/26/2016 14:53	10/27/2016 12:08	SR
98-86-2	Acetophenone	ND		ug/L	2.78	5.56	1	EPA 8270D Certifications: NELAC-NY10854,NJDEP,PADEP	10/26/2016 14:53	10/27/2016 12:48	KH
62-53-3	Aniline	ND		ug/L	2.78	5.56	1	EPA 8270D Certifications: NELAC-NY10854,NJDEP,PADEP	10/26/2016 14:53	10/27/2016 12:48	KH
120-12-7	Anthracene	ND		ug/L	0.0556	0.0556	1	EPA 8270D Certifications: CTDOH,NELAC-NY10854,NJDEP,PADEP	10/26/2016 14:53	10/27/2016 12:08	SR
1912-24-9	Atrazine	ND		ug/L	0.556	0.556	1	EPA 8270D Certifications: NELAC-NY10854,NJDEP,PADEP	10/26/2016 14:53	10/27/2016 12:08	SR

HAZ-136



Sample Information

Client Sample ID: TWP-01 DUP

York Sample ID: 16J0789-03

York Project (SDG) No.
16J0789

Client Project ID
95th str sewer/water OEGS 15-008-0265

Matrix
Water

Collection Date/Time
October 21, 2016 10:45 am

Date Received
10/21/2016

Semi-Volatiles, 8270 - Comprehensive

Log-in Notes:

Sample Notes:

Sample Prepared by Method: EPA 3510C

CAS No.	Parameter	Result	Flag	Units	Reported to LOD/MDL	LOQ	Dilution	Reference Method	Date/Time Prepared	Date/Time Analyzed	Analyst
100-52-7	Benzaldehyde	ND		ug/L	2.78	5.56	1	EPA 8270D Certifications: NELAC-NY10854,NJDEP,PADEP	10/26/2016 14:53	10/27/2016 12:48	KH
92-87-5	Benzidine	ND		ug/L	11.1	22.2	1	EPA 8270D Certifications: CTDOH,NELAC-NY10854,NJDEP,PADEP	10/26/2016 14:53	10/27/2016 12:48	KH
56-55-3	Benzo(a)anthracene	ND		ug/L	0.0556	0.0556	1	EPA 8270D Certifications: CTDOH,NELAC-NY10854,NJDEP,PADEP	10/26/2016 14:53	10/27/2016 12:08	SR
50-32-8	Benzo(a)pyrene	ND		ug/L	0.0556	0.0556	1	EPA 8270D Certifications: CTDOH,NELAC-NY10854,NJDEP,PADEP	10/26/2016 14:53	10/27/2016 12:08	SR
205-99-2	Benzo(b)fluoranthene	ND		ug/L	0.0556	0.0556	1	EPA 8270D Certifications: CTDOH,NELAC-NY10854,NJDEP,PADEP	10/26/2016 14:53	10/27/2016 12:08	SR
191-24-2	Benzo(g,h,i)perylene	ND		ug/L	0.0556	0.0556	1	EPA 8270D Certifications: CTDOH,NELAC-NY10854,NJDEP,PADEP	10/26/2016 14:53	10/27/2016 12:08	SR
207-08-9	Benzo(k)fluoranthene	ND		ug/L	0.0556	0.0556	1	EPA 8270D Certifications: CTDOH,NELAC-NY10854,NJDEP,PADEP	10/26/2016 14:53	10/27/2016 12:08	SR
50-50-5	Benzoic acid	ND		ug/L	27.8	55.6	1	EPA 8270D Certifications: NELAC-NY10854,NJDEP,PADEP	10/26/2016 14:53	10/27/2016 12:48	KH
100-51-6	Benzyl alcohol	ND		ug/L	2.78	5.56	1	EPA 8270D Certifications: NELAC-NY10854,NJDEP,PADEP	10/26/2016 14:53	10/27/2016 12:48	KH
85-68-7	Benzyl butyl phthalate	ND		ug/L	2.78	5.56	1	EPA 8270D Certifications: CTDOH,NELAC-NY10854,NJDEP,PADEP	10/26/2016 14:53	10/27/2016 12:48	KH
111-91-1	Bis(2-chloroethoxy)methane	ND		ug/L	2.78	5.56	1	EPA 8270D Certifications: CTDOH,NELAC-NY10854,NJDEP,PADEP	10/26/2016 14:53	10/27/2016 12:48	KH
111-44-4	Bis(2-chloroethyl)ether	ND		ug/L	2.78	5.56	1	EPA 8270D Certifications: CTDOH,NELAC-NY10854,NJDEP,PADEP	10/26/2016 14:53	10/27/2016 12:48	KH
108-60-1	Bis(2-chloroisopropyl)ether	ND		ug/L	2.78	5.56	1	EPA 8270D Certifications: CTDOH,NELAC-NY10854,NJDEP,PADEP	10/26/2016 14:53	10/27/2016 12:48	KH
117-81-7	Bis(2-ethylhexyl)phthalate	ND		ug/L	0.556	0.556	1	EPA 8270D Certifications: CTDOH,NELAC-NY10854,NJDEP,PADEP	10/26/2016 14:53	10/27/2016 12:08	SR
105-60-2	Caprolactam	ND		ug/L	2.78	5.56	1	EPA 8270D Certifications: NELAC-NY10854,NJDEP,PADEP	10/26/2016 14:53	10/27/2016 12:48	KH
86-74-8	Carbazole	ND		ug/L	2.78	5.56	1	EPA 8270D Certifications: CTDOH,NELAC-NY10854,NJDEP,PADEP	10/26/2016 14:53	10/27/2016 12:48	KH
87-68-3	Hexachlorobutadiene	ND		ug/L	0.556	0.556	1	EPA 8270D Certifications: CTDOH,NELAC-NY10854,NJDEP,PADEP	10/26/2016 14:53	10/27/2016 12:08	SR
218-01-9	Chrysene	ND		ug/L	0.0556	0.0556	1	EPA 8270D Certifications: CTDOH,NELAC-NY10854,NJDEP,PADEP	10/26/2016 14:53	10/27/2016 12:08	SR
53-70-3	Dibenzo(a,h)anthracene	ND		ug/L	0.0556	0.0556	1	EPA 8270D Certifications: CTDOH,NELAC-NY10854,NJDEP,PADEP	10/26/2016 14:53	10/27/2016 12:08	SR
132-64-9	Dibenzofuran	ND		ug/L	2.78	5.56	1	EPA 8270D Certifications: CTDOH,NELAC-NY10854,NJDEP,PADEP	10/26/2016 14:53	10/27/2016 12:08	SR
84-66-2	Diethyl phthalate	ND		ug/L	2.78	5.56	1	EPA 8270D Certifications: CTDOH,NELAC-NY10854,NJDEP,PADEP	10/26/2016 14:53	10/27/2016 12:48	KH
101-11-3	Dimethyl phthalate	ND		ug/L	2.78	5.56	1	EPA 8270D Certifications: CTDOH,NELAC-NY10854,NJDEP,PADEP	10/26/2016 14:53	10/27/2016 12:48	KH



Sample Information

Client Sample ID: TWP-01 DUP

York Sample ID: 16J0789-03

York Project (SDG) No.
16J0789

Client Project ID
95th str sewer/water OEGS 15-008-0265

Matrix
Water

Collection Date/Time
October 21, 2016 10:45 am

Date Received
10/21/2016

Semi-Volatiles, 8270 - Comprehensive

Log-in Notes:

Sample Notes:

Sample Prepared by Method: EPA 3510C

CAS No.	Parameter	Result	Flag	Units	Reported to LOD/MDL	LOQ	Dilution	Reference Method	Date/Time Prepared	Date/Time Analyzed	Analyst
84-74-2	Di-n-butyl phthalate	ND		ug/L	2.78	5.56	1	EPA 8270D Certifications: CTDOH,NELAC-NY10854,NJDEP,PADEP	10/26/2016 14:53	10/27/2016 12:48	KH
117-84-0	Di-n-octyl phthalate	ND		ug/L	2.78	5.56	1	EPA 8270D Certifications: CTDOH,NELAC-NY10854,NJDEP,PADEP	10/26/2016 14:53	10/27/2016 12:48	KH
91-20-3	Naphthalene	ND		ug/L	0.0556	0.0556	1	EPA 8270D Certifications: CTDOH,NELAC-NY10854,NJDEP,PADEP	10/26/2016 14:53	10/27/2016 12:08	SR
206-44-0	Fluoranthene	ND		ug/L	0.0556	0.0556	1	EPA 8270D Certifications: CTDOH,NELAC-NY10854,NJDEP,PADEP	10/26/2016 14:53	10/27/2016 12:08	SR
86-73-7	Fluorene	ND		ug/L	0.0556	0.0556	1	EPA 8270D Certifications: NELAC-NY10854,NJDEP,PADEP	10/26/2016 14:53	10/27/2016 12:08	SR
118-74-1	Hexachlorobenzene	ND		ug/L	0.0222	0.0222	1	EPA 8270D Certifications: CTDOH,NELAC-NY10854,NJDEP,PADEP	10/26/2016 14:53	10/27/2016 12:08	SR
77-47-4	Hexachlorocyclopentadiene	ND		ug/L	2.78	5.56	1	EPA 8270D Certifications: CTDOH,NELAC-NY10854,NJDEP,PADEP	10/26/2016 14:53	10/27/2016 12:48	KH
67-72-1	Hexachloroethane	ND		ug/L	0.556	0.556	1	EPA 8270D Certifications: CTDOH,NELAC-NY10854,NJDEP,PADEP	10/26/2016 14:53	10/27/2016 12:08	SR
193-39-5	Indeno(1,2,3-cd)pyrene	ND		ug/L	0.0556	0.0556	1	EPA 8270D Certifications: CTDOH,NELAC-NY10854,NJDEP,PADEP	10/26/2016 14:53	10/27/2016 12:08	SR
78-59-1	Isophorone	ND		ug/L	2.78	5.56	1	EPA 8270D Certifications: CTDOH,NELAC-NY10854,NJDEP,PADEP	10/26/2016 14:53	10/27/2016 12:48	KH
98-95-3	Nitrobenzene	ND		ug/L	0.278	0.278	1	EPA 8270D Certifications: CTDOH,NELAC-NY10854,NJDEP,PADEP	10/26/2016 14:53	10/27/2016 12:08	SR
62-75-9	N-Nitrosodimethylamine	ND		ug/L	0.556	0.556	1	EPA 8270D Certifications: CTDOH,NELAC-NY10854,NJDEP,PADEP	10/26/2016 14:53	10/27/2016 12:08	SR
621-64-7	N-nitroso-di-n-propylamine	ND		ug/L	2.78	5.56	1	EPA 8270D Certifications: CTDOH,NELAC-NY10854,NJDEP,PADEP	10/26/2016 14:53	10/27/2016 12:48	KH
86-30-6	N-Nitrosodiphenylamine	ND		ug/L	2.78	5.56	1	EPA 8270D Certifications: CTDOH,NELAC-NY10854,NJDEP,PADEP	10/26/2016 14:53	10/27/2016 12:48	KH
87-86-5	Pentachlorophenol	ND		ug/L	0.278	0.278	1	EPA 8270D Certifications: CTDOH,NELAC-NY10854,NJDEP,PADEP	10/26/2016 14:53	10/27/2016 12:08	SR
85-01-8	Phenanthrene	ND		ug/L	0.0556	0.0556	1	EPA 8270D Certifications: CTDOH,NELAC-NY10854,NJDEP,PADEP	10/26/2016 14:53	10/27/2016 12:08	SR
108-95-2	Phenol	ND		ug/L	2.78	5.56	1	EPA 8270D Certifications: CTDOH,NELAC-NY10854,NJDEP,PADEP	10/26/2016 14:53	10/27/2016 12:48	KH
129-00-0	Pyrene	ND		ug/L	0.0556	0.0556	1	EPA 8270D Certifications: CTDOH,NELAC-NY10854,NJDEP,PADEP	10/26/2016 14:53	10/27/2016 12:08	SR
	Surrogate Recoveries	Result			Acceptance Range						
367-12-4	Surrogate: 2-Fluorophenol	32.9 %			12-64						
4165-62-2	Surrogate: Phenol-d5	29.6 %			10-82						
4165-60-0	Surrogate: Nitrobenzene-d5	60.8 %			12-96						
321-60-8	Surrogate: 2-Fluorobiphenyl	63.6 %			16-84						
118-79-6	Surrogate: 2,4,6-Tribromophenol	104 %			15-104						
1718-51-0	Surrogate: Terphenyl-d14	74.8 %			15-106						



Sample Information

Client Sample ID: TWP-01 DUP

York Sample ID: 16J0789-03

York Project (SDG) No.
16J0789

Client Project ID
95th str sewer/water OEGS 15-008-0265

Matrix
Water

Collection Date/Time
October 21, 2016 10:45 am

Date Received
10/21/2016

Pesticides, EPA TCL List

Log-in Notes:

Sample Notes:

Sample Prepared by Method: EPA SW846-3510C Low Level

CAS No.	Parameter	Result	Flag	Units	LOD/MDL	Reported to LOQ	Dilution	Reference Method	Date/Time Prepared	Date/Time Analyzed	Analyst
72-54-8	4,4'-DDD	ND		ug/L	0.00421	0.00421	1	EPA 8081B Certifications: CTDOH,NELAC-NY10854,NJDEP,PADEP	10/27/2016 14:42	10/28/2016 12:39	AMC
72-55-9	4,4'-DDE	ND		ug/L	0.00421	0.00421	1	EPA 8081B Certifications: CTDOH,NELAC-NY10854,NJDEP,PADEP	10/27/2016 14:42	10/28/2016 12:39	AMC
50-29-3	4,4'-DDT	ND		ug/L	0.00421	0.00421	1	EPA 8081B Certifications: CTDOH,NELAC-NY10854,NJDEP,PADEP	10/27/2016 14:42	10/28/2016 12:39	AMC
309-00-2	Aldrin	ND		ug/L	0.00421	0.00421	1	EPA 8081B Certifications: CTDOH,NELAC-NY10854,NJDEP,PADEP	10/27/2016 14:42	10/28/2016 12:39	AMC
319-84-6	alpha-BHC	ND		ug/L	0.00421	0.00421	1	EPA 8081B Certifications: CTDOH,NELAC-NY10854,NJDEP,PADEP	10/27/2016 14:42	10/28/2016 12:39	AMC
319-85-7	beta-BHC	ND		ug/L	0.00421	0.00421	1	EPA 8081B Certifications: CTDOH,NELAC-NY10854,NJDEP,PADEP	10/27/2016 14:42	10/28/2016 12:39	AMC
74-9	Chlordane, total	ND		ug/L	0.0211	0.0211	1	EPA 8081B Certifications: CTDOH,NELAC-NY10854,NJDEP,PADEP	10/27/2016 14:42	10/28/2016 12:39	AMC
319-86-8	delta-BHC	ND		ug/L	0.00421	0.00421	1	EPA 8081B Certifications: CTDOH,NELAC-NY10854,NJDEP,PADEP	10/27/2016 14:42	10/28/2016 12:39	AMC
60-57-1	Dieldrin	ND		ug/L	0.00211	0.00211	1	EPA 8081B Certifications: CTDOH,NELAC-NY10854,NJDEP,PADEP	10/27/2016 14:42	10/28/2016 12:39	AMC
959-98-8	Endosulfan I	ND		ug/L	0.00421	0.00421	1	EPA 8081B Certifications: CTDOH,NELAC-NY10854,NJDEP,PADEP	10/27/2016 14:42	10/28/2016 12:39	AMC
33213-65-9	Endosulfan II	ND		ug/L	0.00421	0.00421	1	EPA 8081B Certifications: CTDOH,NELAC-NY10854,NJDEP,PADEP	10/27/2016 14:42	10/28/2016 12:39	AMC
1031-07-8	Endosulfan sulfate	ND		ug/L	0.00421	0.00421	1	EPA 8081B Certifications: CTDOH,NELAC-NY10854,NJDEP,PADEP	10/27/2016 14:42	10/28/2016 12:39	AMC
72-20-8	Endrin	ND		ug/L	0.00421	0.00421	1	EPA 8081B Certifications: CTDOH,NELAC-NY10854,NJDEP,PADEP	10/27/2016 14:42	10/28/2016 12:39	AMC
7421-93-4	Endrin aldehyde	ND		ug/L	0.0105	0.0105	1	EPA 8081B Certifications: CTDOH,NELAC-NY10854,NJDEP,PADEP	10/27/2016 14:42	10/28/2016 12:39	AMC
53494-70-5	Endrin ketone	ND		ug/L	0.0105	0.0105	1	EPA 8081B Certifications: CTDOH,NELAC-NY10854,NJDEP,PADEP	10/27/2016 14:42	10/28/2016 12:39	AMC
58-89-9	gamma-BHC (Lindane)	ND		ug/L	0.00421	0.00421	1	EPA 8081B Certifications: CTDOH,NELAC-NY10854,NJDEP,PADEP	10/27/2016 14:42	10/28/2016 12:39	AMC
76-44-8	Heptachlor	ND		ug/L	0.00421	0.00421	1	EPA 8081B Certifications: CTDOH,NELAC-NY10854,NJDEP,PADEP	10/27/2016 14:42	10/28/2016 12:39	AMC
1024-57-3	Heptachlor epoxide	ND		ug/L	0.00421	0.00421	1	EPA 8081B Certifications: CTDOH,NELAC-NY10854,NJDEP,PADEP	10/27/2016 14:42	10/28/2016 12:39	AMC
72-43-5	Methoxychlor	ND		ug/L	0.00421	0.00421	1	EPA 8081B Certifications: CTDOH,NELAC-NY10854,NJDEP,PADEP	10/27/2016 14:42	10/28/2016 12:39	AMC
8001-35-2	Toxaphene	ND		ug/L	0.105	0.105	1	EPA 8081B Certifications: CTDOH,NELAC-NY10854,NJDEP,PADEP	10/27/2016 14:42	10/28/2016 12:39	AMC

Surrogate Recoveries

Result

Acceptance Range

877-09-8 Surrogate: Tetrachloro-m-xylene

42.8 %

30-120

2051-24-3 Surrogate: Decachlorobiphenyl

52.1 %

30-120

HAZ-139



Sample Information

Client Sample ID: TWP-01 DUP

York Sample ID: 16J0789-03

York Project (SDG) No.
16J0789

Client Project ID
95th str sewer/water OEGS 15-008-0265

Matrix
Water

Collection Date/Time
October 21, 2016 10:45 am

Date Received
10/21/2016

Polychlorinated Biphenyls (PCB)

Log-in Notes:

Sample Notes:

Sample Prepared by Method: EPA SW846-3510C Low Level

CAS No.	Parameter	Result	Flag	Units	LOD/MDL	Reported to LOQ	Dilution	Reference Method	Date/Time Prepared	Date/Time Analyzed	Analyst
12674-11-2	Aroclor 1016	ND		ug/L	0.0526	0.0526	1	EPA 8082A Certifications: NELAC-NY10854,CTDOH,NJDEP,PADEP	10/27/2016 14:42	10/28/2016 14:53	AMC
11104-28-2	Aroclor 1221	ND		ug/L	0.0526	0.0526	1	EPA 8082A Certifications: NELAC-NY10854,CTDOH,NJDEP,PADEP	10/27/2016 14:42	10/28/2016 14:53	AMC
11141-16-5	Aroclor 1232	ND		ug/L	0.0526	0.0526	1	EPA 8082A Certifications: NELAC-NY10854,CTDOH,NJDEP,PADEP	10/27/2016 14:42	10/28/2016 14:53	AMC
53469-21-9	Aroclor 1242	ND		ug/L	0.0526	0.0526	1	EPA 8082A Certifications: NELAC-NY10854,CTDOH,NJDEP,PADEP	10/27/2016 14:42	10/28/2016 14:53	AMC
12672-29-6	Aroclor 1248	ND		ug/L	0.0526	0.0526	1	EPA 8082A Certifications: NELAC-NY10854,CTDOH,NJDEP,PADEP	10/27/2016 14:42	10/28/2016 14:53	AMC
11097-69-1	Aroclor 1254	ND		ug/L	0.0526	0.0526	1	EPA 8082A Certifications: NELAC-NY10854,CTDOH,NJDEP,PADEP	10/27/2016 14:42	10/28/2016 14:53	AMC
11096-82-5	Aroclor 1260	ND		ug/L	0.0526	0.0526	1	EPA 8082A Certifications: NELAC-NY10854,CTDOH,NJDEP,PADEP	10/27/2016 14:42	10/28/2016 14:53	AMC†
1336-36-3	* Total PCBs	ND		ug/L	0.0526	0.0526	1	EPA 8082A Certifications:	10/27/2016 14:42	10/28/2016 14:53	AMC

Surrogate Recoveries

Result

Acceptance Range

877-09-8 Surrogate: Tetrachloro-m-xylene

44.0 %

30-120

2051-24-3 Surrogate: Decachlorobiphenyl

85.0 %

30-120

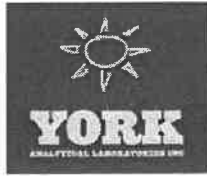
Metals, Target Analyte, ICP

Log-in Notes:

Sample Notes:

Sample Prepared by Method: EPA 3015A

CAS No.	Parameter	Result	Flag	Units	LOD/MDL	Reported to LOQ	Dilution	Reference Method	Date/Time Prepared	Date/Time Analyzed	Analyst
7429-90-5	Aluminum	1.61		mg/L	0.0556	0.0556	1	EPA 6010C Certifications: CTDOH,NELAC-NY10854,NJDEP,PADEP	10/24/2016 11:12	10/24/2016 16:04	KV
7440-39-3	Barium	ND		mg/L	0.0111	0.0111	1	EPA 6010C Certifications: CTDOH,NELAC-NY10854,NJDEP,PADEP	10/24/2016 11:12	10/24/2016 16:04	KV
7440-70-2	Calcium	44.2		mg/L	0.0556	0.0556	1	EPA 6010C Certifications: CTDOH,NELAC-NY10854,NJDEP,PADEP	10/24/2016 11:12	10/24/2016 16:04	KV
7440-47-3	Chromium	ND		mg/L	0.00556	0.00556	1	EPA 6010C Certifications: CTDOH,NELAC-NY10854,NJDEP,PADEP	10/24/2016 11:12	10/24/2016 16:04	KV
7440-50-8	Copper	0.0161		mg/L	0.00333	0.00333	1	EPA 6010C Certifications: CTDOH,NELAC-NY10854,NJDEP,PADEP	10/24/2016 11:12	10/24/2016 16:04	KV
7439-89-6	Iron	19.0		mg/L	0.0222	0.0222	1	EPA 6010C Certifications: CTDOH,NELAC-NY10854,NJDEP,PADEP	10/24/2016 11:12	10/24/2016 16:04	KV
7439-92-1	Lead	ND		mg/L	0.00333	0.00333	1	EPA 6010C Certifications: CTDOH,NELAC-NY10854,NJDEP,PADEP	10/24/2016 11:12	10/24/2016 16:04	KV
7439-95-4	Magnesium	22.0		mg/L	0.0556	0.0556	1	EPA 6010C Certifications: CTDOH,NELAC-NY10854,NJDEP,PADEP	10/24/2016 11:12	10/24/2016 16:04	KV
7439-96-5	Manganese	0.196		mg/L	0.00556	0.00556	1	EPA 6010C Certifications: CTDOH,NELAC-NY10854,NJDEP,PADEP	10/24/2016 11:12	10/24/2016 16:04	KV



Sample Information

Client Sample ID: TWP-01 DUP

York Sample ID: 16J0789-03

York Project (SDG) No.
16J0789

Client Project ID
95th str sewer/water OEGS 15-008-0265

Matrix
Water

Collection Date/Time
October 21, 2016 10:45 am

Date Received
10/21/2016

Metals, Target Analyte, ICP

Log-in Notes:

Sample Notes:

Sample Prepared by Method: EPA 3015A

CAS No.	Parameter	Result	Flag	Units	LOD/MDL	Reported to LOQ	Dilution	Reference Method	Date/Time Prepared	Date/Time Analyzed	Analyst
7440-02-0	Nickel	0.00740		mg/L	0.00556	0.00556	1	EPA 6010C Certifications: CTDOH,NELAC-NY10854,NJDEP,PADEP	10/24/2016 11:12	10/24/2016 16:04	KV
7440-09-7	Potassium	13.0		mg/L	0.0556	0.0556	1	EPA 6010C Certifications: CTDOH,NELAC-NY10854,NJDEP,PADEP	10/24/2016 11:12	10/24/2016 16:04	KV
7782-49-2	Selenium	ND		mg/L	0.0111	0.0111	1	EPA 6010C Certifications: CTDOH,NELAC-NY10854,NJDEP,PADEP	10/24/2016 11:12	10/24/2016 16:04	KV
7440-22-4	Silver	ND		mg/L	0.00556	0.00556	1	EPA 6010C Certifications: CTDOH,NELAC-NY10854,NJDEP,PADEP	10/24/2016 11:12	10/24/2016 16:04	KV
7440-23-5	Sodium	373		mg/L	0.111	0.111	1	EPA 6010C Certifications: CTDOH,NELAC-NY10854,NJDEP,PADEP	10/24/2016 11:12	10/24/2016 16:04	KV
7440-62-2	Vanadium	ND		mg/L	0.0111	0.0111	1	EPA 6010C Certifications: CTDOH,NELAC-NY10854,NJDEP,PADEP	10/24/2016 11:12	10/24/2016 16:04	KV
7440-66-6	Zinc	0.0436		mg/L	0.0111	0.0111	1	EPA 6010C Certifications: CTDOH,NELAC-NY10854,NJDEP,PADEP	10/24/2016 11:12	10/24/2016 16:04	KV

Metals, Target Analyte, ICPMS

Log-in Notes:

Sample Notes:

Sample Prepared by Method: EPA 3015A

CAS No.	Parameter	Result	Flag	Units	LOD/MDL	Reported to LOQ	Dilution	Reference Method	Date/Time Prepared	Date/Time Analyzed	Analyst
7440-36-0	Antimony	ND		ug/L	2.22	2.22	2	EPA 6020A Certifications: CTDOH,NELAC-NY10854,NJDEP,PADEP	10/25/2016 08:02	10/26/2016 08:20	ALD
7440-38-2	Arsenic	2.76		ug/L	2.22	2.22	2	EPA 6020A Certifications: CTDOH,NELAC-NY10854,NJDEP,PADEP	10/25/2016 08:02	10/26/2016 08:20	ALD
7440-41-7	Beryllium	ND		ug/L	0.667	0.667	2	EPA 6020A Certifications: CTDOH,NELAC-NY10854,NJDEP,PADEP	10/25/2016 08:02	10/26/2016 08:20	ALD
7440-43-9	Cadmium	ND		ug/L	1.11	1.11	2	EPA 6020A Certifications: CTDOH,NELAC-NY10854,NJDEP,PADEP	10/25/2016 08:02	10/26/2016 08:20	ALD
7439-98-7	Molybdenum	ND		ug/L	2.22	2.22	2	EPA 6020A Certifications: CTDOH,NELAC-NY10854,NJDEP,PADEP	10/25/2016 08:02	10/26/2016 08:20	ALD
7782-49-2	* Selenium	9.62		ug/L	2.22	2.22	2	EPA 6020A Certifications: CTDOH,NELAC-NY10854,NJDEP,PADEP	10/25/2016 08:02	10/26/2016 08:20	ALD
7440-28-0	Thallium	ND		ug/L	2.22	2.22	2	EPA 6020A Certifications: CTDOH,NELAC-NY10854,NJDEP,PADEP	10/25/2016 08:02	10/26/2016 08:20	ALD

Mercury by 7473

Log-in Notes:

Sample Notes:

Sample Prepared by Method: EPA 7473 water

CAS No.	Parameter	Result	Flag	Units	LOD/MDL	Reported to LOQ	Dilution	Reference Method	Date/Time Prepared	Date/Time Analyzed	Analyst
7439-97-6	Mercury	ND		mg/L	0.00020	0.00020	1	EPA 7473 Certifications: CTDOH,NELAC-NY10854,NJDEP,PADEP	10/25/2016 06:37	10/26/2016 13:25	ALD

HAZ-141



Sample Information

Client Sample ID: EQUIPMENT BLANK

York Sample ID: 16J0789-04

York Project (SDG) No.
16J0789

Client Project ID
95th str sewer/water OEGS 15-008-0265

Matrix
Water

Collection Date/Time
October 21, 2016 12:15 pm

Date Received
10/21/2016

Volatile Organics, 8260 - Comprehensive

Log-in Notes:

Sample Notes:

Sample Prepared by Method: EPA 5030B

CAS No.	Parameter	Result	Flag	Units	Reported to LOD/MDL	LOQ	Dilution	Reference Method	Date/Time Prepared	Date/Time Analyzed	Analyst
630-20-6	1,1,1,2-Tetrachloroethane	ND		ug/L	0.20	0.50	1	EPA 8260C Certifications: CTDOH,NELAC-NY10854,NJDEP	10/27/2016 08:00	10/27/2016 16:57	SS
71-55-6	1,1,1-Trichloroethane	ND		ug/L	0.20	0.50	1	EPA 8260C Certifications: CTDOH,NELAC-NY10854,NJDEP	10/27/2016 08:00	10/27/2016 16:57	SS
79-34-5	1,1,2,2-Tetrachloroethane	ND		ug/L	0.20	0.50	1	EPA 8260C Certifications: CTDOH,NELAC-NY10854,NJDEP	10/27/2016 08:00	10/27/2016 16:57	SS
76-13-1	1,1,2-Trichloro-1,2,2-trifluoroethane (Freon 113)	ND		ug/L	0.20	0.50	1	EPA 8260C Certifications: CTDOH,NELAC-NY10854,NJDEP	10/27/2016 08:00	10/27/2016 16:57	SS
79-00-5	1,1,2-Trichloroethane	ND		ug/L	0.20	0.50	1	EPA 8260C Certifications: CTDOH,NELAC-NY10854,NJDEP	10/27/2016 08:00	10/27/2016 16:57	SS
75-34-3	1,1-Dichloroethane	ND		ug/L	0.20	0.50	1	EPA 8260C Certifications: CTDOH,NELAC-NY10854,NJDEP	10/27/2016 08:00	10/27/2016 16:57	SS
75-35-4	1,1-Dichloroethylene	ND		ug/L	0.20	0.50	1	EPA 8260C Certifications: CTDOH,NELAC-NY10854,NJDEP	10/27/2016 08:00	10/27/2016 16:57	SS
87-61-6	1,2,3-Trichlorobenzene	ND		ug/L	0.20	0.50	1	EPA 8260C Certifications: NELAC-NY10854,NJDEP	10/27/2016 08:00	10/27/2016 16:57	SS
96-18-4	1,2,3-Trichloropropane	ND		ug/L	0.20	0.50	1	EPA 8260C Certifications: NELAC-NY10854,NJDEP	10/27/2016 08:00	10/27/2016 16:57	SS
120-82-1	1,2,4-Trichlorobenzene	ND		ug/L	0.20	0.50	1	EPA 8260C Certifications: NELAC-NY10854,NJDEP	10/27/2016 08:00	10/27/2016 16:57	SS
95-63-6	1,2,4-Trimethylbenzene	ND		ug/L	0.20	0.50	1	EPA 8260C Certifications: CTDOH,NELAC-NY10854,NJDEP	10/27/2016 08:00	10/27/2016 16:57	SS
96-12-8	1,2-Dibromo-3-chloropropane	ND		ug/L	0.20	2.0	1	EPA 8260C Certifications: CTDOH,NELAC-NY10854,NJDEP	10/27/2016 08:00	10/27/2016 16:57	SS
106-93-4	1,2-Dibromoethane	ND		ug/L	0.20	0.50	1	EPA 8260C Certifications: CTDOH,NELAC-NY10854,NJDEP	10/27/2016 08:00	10/27/2016 16:57	SS
95-50-1	1,2-Dichlorobenzene	ND		ug/L	0.20	0.50	1	EPA 8260C Certifications: CTDOH,NELAC-NY10854,NJDEP	10/27/2016 08:00	10/27/2016 16:57	SS
107-06-2	1,2-Dichloroethane	ND		ug/L	0.20	0.50	1	EPA 8260C Certifications: CTDOH,NELAC-NY10854,NJDEP	10/27/2016 08:00	10/27/2016 16:57	SS
78-87-5	1,2-Dichloropropane	ND		ug/L	0.20	0.50	1	EPA 8260C Certifications: CTDOH,NELAC-NY10854,NJDEP	10/27/2016 08:00	10/27/2016 16:57	SS
108-67-8	1,3,5-Trimethylbenzene	ND		ug/L	0.20	0.50	1	EPA 8260C Certifications: CTDOH,NELAC-NY10854,NJDEP	10/27/2016 08:00	10/27/2016 16:57	SS
541-73-1	1,3-Dichlorobenzene	ND		ug/L	0.20	0.50	1	EPA 8260C Certifications: CTDOH,NELAC-NY10854,NJDEP	10/27/2016 08:00	10/27/2016 16:57	SS
106-46-7	1,4-Dichlorobenzene	ND		ug/L	0.20	0.50	1	EPA 8260C Certifications: CTDOH,NELAC-NY10854,NJDEP	10/27/2016 08:00	10/27/2016 16:57	SS
123-91-1	1,4-Dioxane	ND		ug/L	40	40	1	EPA 8260C Certifications: NELAC-NY10854,NJDEP	10/27/2016 08:00	10/27/2016 16:57	SS
78-93-3	2-Butanone	ND		ug/L	0.20	2.0	1	EPA 8260C Certifications: CTDOH,NELAC-NY10854,NJDEP	10/27/2016 08:00	10/27/2016 16:57	SS

HAZ-142



Sample Information

Client Sample ID: EQUIPMENT BLANK

York Sample ID: 16J0789-04

York Project (SDG) No.
16J0789

Client Project ID
95th str sewer/water OEGS 15-008-0265

Matrix
Water

Collection Date/Time
October 21, 2016 12:15 pm

Date Received
10/21/2016

Volatile Organics, 8260 - Comprehensive

Log-in Notes:

Sample Notes:

Sample Prepared by Method: EPA 5030B

CAS No.	Parameter	Result	Flag	Units	Reported to LOD/MDL	LOQ	Dilution	Reference Method	Date/Time Prepared	Date/Time Analyzed	Analyst
591-78-6	2-Hexanone	ND		ug/L	0.20	2.0	1	EPA 8260C Certifications: CTDOH,NELAC-NY10854,NJDEP	10/27/2016 08:00	10/27/2016 16:57	SS
108-10-1	4-Methyl-2-pentanone	ND		ug/L	0.20	2.0	1	EPA 8260C Certifications: CTDOH,NELAC-NY10854,NJDEP	10/27/2016 08:00	10/27/2016 16:57	SS
67-64-1	Acetone	1.3	CCV-E, ICV-E, J	ug/L	1.0	2.0	1	EPA 8260C Certifications: CTDOH,NELAC-NY10854,NJDEP	10/27/2016 08:00	10/27/2016 16:57	SS
107-02-8	Acrolein	ND		ug/L	0.20	0.50	1	EPA 8260C Certifications: CTDOH,NELAC-NY10854,NJDEP	10/27/2016 08:00	10/27/2016 16:57	SS
107-13-1	Acrylonitrile	ND		ug/L	0.20	2.0	1	EPA 8260C Certifications: CTDOH,NELAC-NY10854,NJDEP	10/27/2016 08:00	10/27/2016 16:57	SS
71-43-2	Benzene	ND		ug/L	0.20	0.50	1	EPA 8260C Certifications: CTDOH,NELAC-NY10854,NJDEP	10/27/2016 08:00	10/27/2016 16:57	SS
75-27-5	Bromochloromethane	ND		ug/L	0.20	0.50	1	EPA 8260C Certifications: NELAC-NY10854,NJDEP	10/27/2016 08:00	10/27/2016 16:57	SS
75-27-4	Bromodichloromethane	ND		ug/L	0.20	0.50	1	EPA 8260C Certifications: CTDOH,NELAC-NY10854,NJDEP	10/27/2016 08:00	10/27/2016 16:57	SS
75-25-2	Bromoform	ND		ug/L	0.20	0.50	1	EPA 8260C Certifications: CTDOH,NELAC-NY10854,NJDEP	10/27/2016 08:00	10/27/2016 16:57	SS
74-83-9	Bromomethane	ND		ug/L	0.20	2.0	1	EPA 8260C Certifications: CTDOH,NELAC-NY10854,NJDEP	10/27/2016 08:00	10/27/2016 16:57	SS
75-15-0	Carbon disulfide	ND		ug/L	0.20	0.50	1	EPA 8260C Certifications: CTDOH,NELAC-NY10854,NJDEP	10/27/2016 08:00	10/27/2016 16:57	SS
56-23-5	Carbon tetrachloride	ND		ug/L	0.20	0.50	1	EPA 8260C Certifications: CTDOH,NELAC-NY10854,NJDEP	10/27/2016 08:00	10/27/2016 16:57	SS
108-90-7	Chlorobenzene	ND		ug/L	0.20	0.50	1	EPA 8260C Certifications: CTDOH,NELAC-NY10854,NJDEP	10/27/2016 08:00	10/27/2016 16:57	SS
75-00-3	Chloroethane	ND		ug/L	0.20	0.50	1	EPA 8260C Certifications: CTDOH,NELAC-NY10854,NJDEP	10/27/2016 08:00	10/27/2016 16:57	SS
67-66-3	Chloroform	ND		ug/L	0.20	0.50	1	EPA 8260C Certifications: CTDOH,NELAC-NY10854,NJDEP	10/27/2016 08:00	10/27/2016 16:57	SS
74-87-3	Chloromethane	ND		ug/L	0.20	0.50	1	EPA 8260C Certifications: CTDOH,NELAC-NY10854,NJDEP	10/27/2016 08:00	10/27/2016 16:57	SS
156-59-2	cis-1,2-Dichloroethylene	ND		ug/L	0.20	0.50	1	EPA 8260C Certifications: CTDOH,NELAC-NY10854,NJDEP	10/27/2016 08:00	10/27/2016 16:57	SS
10061-01-5	cis-1,3-Dichloropropylene	ND		ug/L	0.20	0.50	1	EPA 8260C Certifications: CTDOH,NELAC-NY10854,NJDEP	10/27/2016 08:00	10/27/2016 16:57	SS
110-82-7	Cyclohexane	ND		ug/L	0.20	0.50	1	EPA 8260C Certifications: NELAC-NY10854,NJDEP	10/27/2016 08:00	10/27/2016 16:57	SS
124-48-1	Dibromochloromethane	ND		ug/L	0.20	0.50	1	EPA 8260C Certifications: CTDOH,NELAC-NY10854,NJDEP	10/27/2016 08:00	10/27/2016 16:57	SS
3	Dibromomethane	ND		ug/L	0.20	0.50	1	EPA 8260C Certifications: NELAC-NY10854,NJDEP	10/27/2016 08:00	10/27/2016 16:57	SS

HAZ-143



Sample Information

Client Sample ID: EQUIPMENT BLANK

York Sample ID: 16J0789-04

York Project (SDG) No.
16J0789

Client Project ID
95th str sewer/water OEGS 15-008-0265

Matrix
Water

Collection Date/Time
October 21, 2016 12:15 pm

Date Received
10/21/2016

Volatiles Organics, 8260 - Comprehensive

Log-in Notes:

Sample Notes:

Sample Prepared by Method: EPA 5030B

CAS No.	Parameter	Result	Flag	Units	Reported to LOD/MDL	LOQ	Dilution	Reference Method	Date/Time Prepared	Date/Time Analyzed	Analyst
75-71-8	Dichlorodifluoromethane	ND		ug/L	0.20	0.50	1	EPA 8260C Certifications: NELAC-NY10854,NJDEP	10/27/2016 08:00	10/27/2016 16:57	SS
100-41-4	Ethyl Benzene	ND		ug/L	0.20	0.50	1	EPA 8260C Certifications: CTDOH,NELAC-NY10854,NJDEP	10/27/2016 08:00	10/27/2016 16:57	SS
87-68-3	Hexachlorobutadiene	ND		ug/L	0.20	0.50	1	EPA 8260C Certifications: NELAC-NY10854,NJDEP	10/27/2016 08:00	10/27/2016 16:57	SS
98-82-8	Isopropylbenzene	ND		ug/L	0.20	0.50	1	EPA 8260C Certifications: CTDOH,NELAC-NY10854,NJDEP	10/27/2016 08:00	10/27/2016 16:57	SS
79-20-9	Methyl acetate	ND		ug/L	0.20	0.50	1	EPA 8260C Certifications: NELAC-NY10854,NJDEP	10/27/2016 08:00	10/27/2016 16:57	SS
1634-04-4	Methyl tert-butyl ether (MTBE)	ND		ug/L	0.20	0.50	1	EPA 8260C Certifications: CTDOH,NELAC-NY10854,NJDEP	10/27/2016 08:00	10/27/2016 16:57	SS
108-87-2	Methylcyclohexane	ND		ug/L	0.20	0.50	1	EPA 8260C Certifications: NELAC-NY10854,NJDEP	10/27/2016 08:00	10/27/2016 16:57	SS
75-09-2	Methylene chloride	ND		ug/L	1.0	2.0	1	EPA 8260C Certifications: CTDOH,NELAC-NY10854,NJDEP	10/27/2016 08:00	10/27/2016 16:57	SS
104-51-8	n-Butylbenzene	ND		ug/L	0.20	0.50	1	EPA 8260C Certifications: CTDOH,NELAC-NY10854,NJDEP	10/27/2016 08:00	10/27/2016 16:57	SS
103-65-1	n-Propylbenzene	ND		ug/L	0.20	0.50	1	EPA 8260C Certifications: CTDOH,NELAC-NY10854,NJDEP	10/27/2016 08:00	10/27/2016 16:57	SS
95-47-6	o-Xylene	ND		ug/L	0.20	0.50	1	EPA 8260C Certifications: NELAC-NY10854	10/27/2016 08:00	10/27/2016 16:57	SS
179601-23-1	p- & m- Xylenes	ND		ug/L	0.50	1.0	1	EPA 8260C Certifications: NELAC-NY10854	10/27/2016 08:00	10/27/2016 16:57	SS
99-87-6	p-Isopropyltoluene	ND		ug/L	0.20	0.50	1	EPA 8260C Certifications: CTDOH,NELAC-NY10854,NJDEP	10/27/2016 08:00	10/27/2016 16:57	SS
135-98-8	sec-Butylbenzene	ND		ug/L	0.20	0.50	1	EPA 8260C Certifications: CTDOH,NELAC-NY10854,NJDEP	10/27/2016 08:00	10/27/2016 16:57	SS
100-42-5	Styrene	ND		ug/L	0.20	0.50	1	EPA 8260C Certifications: CTDOH,NELAC-NY10854,NJDEP	10/27/2016 08:00	10/27/2016 16:57	SS
75-65-0	tert-Butyl alcohol (TBA)	ND		ug/L	0.50	2.0	1	EPA 8260C Certifications: NELAC-NY10854,NJDEP	10/27/2016 08:00	10/27/2016 16:57	SS
98-06-6	tert-Butylbenzene	ND		ug/L	0.20	0.50	1	EPA 8260C Certifications: CTDOH,NELAC-NY10854,NJDEP	10/27/2016 08:00	10/27/2016 16:57	SS
127-18-4	Tetrachloroethylene	ND		ug/L	0.20	0.50	1	EPA 8260C Certifications: CTDOH,NELAC-NY10854,NJDEP	10/27/2016 08:00	10/27/2016 16:57	SS
108-88-3	Toluene	ND		ug/L	0.20	0.50	1	EPA 8260C Certifications: CTDOH,NELAC-NY10854,NJDEP	10/27/2016 08:00	10/27/2016 16:57	SS
156-60-5	trans-1,2-Dichloroethylene	ND		ug/L	0.20	0.50	1	EPA 8260C Certifications: CTDOH,NELAC-NY10854,NJDEP	10/27/2016 08:00	10/27/2016 16:57	SS
10061-02-6	trans-1,3-Dichloropropylene	ND		ug/L	0.20	0.50	1	EPA 8260C Certifications: CTDOH,NELAC-NY10854,NJDEP	10/27/2016 08:00	10/27/2016 16:57	SS
79-01-6	Trichloroethylene	ND		ug/L	0.20	0.50	1	EPA 8260C Certifications: CTDOH,NELAC-NY10854,NJDEP	10/27/2016 08:00	10/27/2016 16:57	SS

HAZ-144



Sample Information

Client Sample ID: EQUIPMENT BLANK

York Sample ID: 16J0789-04

York Project (SDG) No.
16J0789

Client Project ID
95th str sewer/water OEGS 15-008-0265

Matrix
Water

Collection Date/Time
October 21, 2016 12:15 pm

Date Received
10/21/2016

Volatile Organics, 8260 - Comprehensive

Log-in Notes:

Sample Notes:

Sample Prepared by Method: EPA 5030B

CAS No.	Parameter	Result	Flag	Units	Reported to LOD/MDL	LOQ	Dilution	Reference Method	Date/Time Prepared	Date/Time Analyzed	Analyst
75-69-4	Trichlorofluoromethane	ND		ug/L	0.20	0.50	1	EPA 8260C Certifications: CTDOH,NELAC-NY10854,NJDEP	10/27/2016 08:00	10/27/2016 16:57	SS
75-01-4	Vinyl Chloride	ND		ug/L	0.20	0.50	1	EPA 8260C Certifications: CTDOH,NELAC-NY10854,NJDEP	10/27/2016 08:00	10/27/2016 16:57	SS
1330-20-7	* Xylenes, Total	ND		ug/L	0.60	1.5	1	EPA 8260C Certifications: CTDOH,NJDEP	10/27/2016 08:00	10/27/2016 16:57	SS
Surrogate Recoveries		Result			Acceptance Range						
17060-07-0	Surrogate: 1,2-Dichloroethane-d4	107 %			69-130						
2037-26-5	Surrogate: Toluene-d8	96.5 %			81-117						
460-00-4	Surrogate: p-Bromofluorobenzene	97.4 %			79-122						

Semi-Volatiles, 8270 - Comprehensive

Log-in Notes:

Sample Notes:

Sample Prepared by Method: EPA 3510C

CAS No.	Parameter	Result	Flag	Units	Reported to LOD/MDL	LOQ	Dilution	Reference Method	Date/Time Prepared	Date/Time Analyzed	Analyst
92-52-4	1,1'-Biphenyl	ND		ug/L	2.63	5.26	1	EPA 8270D Certifications: NELAC-NY10854,NJDEP,PADEP	10/26/2016 14:53	10/27/2016 13:20	KH
95-94-3	1,2,4,5-Tetrachlorobenzene	ND		ug/L	2.63	5.26	1	EPA 8270D Certifications: NELAC-NY10854,NJDEP,PADEP	10/26/2016 14:53	10/27/2016 13:20	KH
122-66-7	1,2-Diphenylhydrazine (as Azobenzene)	ND		ug/L	2.63	5.26	1	EPA 8270D Certifications: NELAC-NY10854,NJDEP,PADEP	10/26/2016 14:53	10/27/2016 13:20	KH
58-90-2	2,3,4,6-Tetrachlorophenol	ND		ug/L	2.63	5.26	1	EPA 8270D Certifications: NELAC-NY10854,NJDEP,PADEP	10/26/2016 14:53	10/27/2016 13:20	KH
95-95-4	2,4,5-Trichlorophenol	ND		ug/L	2.63	5.26	1	EPA 8270D Certifications: CTDOH,NELAC-NY10854,NJDEP,PADEP	10/26/2016 14:53	10/27/2016 13:20	KH
88-06-2	2,4,6-Trichlorophenol	ND		ug/L	2.63	5.26	1	EPA 8270D Certifications: CTDOH,NELAC-NY10854,NJDEP,PADEP	10/26/2016 14:53	10/27/2016 13:20	KH
120-82-1	1,2,4-Trichlorobenzene	ND		ug/L	2.63	5.26	1	EPA 8270D Certifications: CTDOH,NELAC-NY10854,NJDEP,PADEP	10/26/2016 14:53	10/27/2016 13:20	KH
120-83-2	2,4-Dichlorophenol	ND		ug/L	2.63	5.26	1	EPA 8270D Certifications: CTDOH,NELAC-NY10854,NJDEP,PADEP	10/26/2016 14:53	10/27/2016 13:20	KH
105-67-9	2,4-Dimethylphenol	ND		ug/L	2.63	5.26	1	EPA 8270D Certifications: CTDOH,NELAC-NY10854,NJDEP,PADEP	10/26/2016 14:53	10/27/2016 13:20	KH
51-28-5	2,4-Dinitrophenol	ND		ug/L	2.63	5.26	1	EPA 8270D Certifications: CTDOH,NELAC-NY10854,NJDEP,PADEP	10/26/2016 14:53	10/27/2016 13:20	KH
121-14-2	2,4-Dinitrotoluene	ND		ug/L	2.63	5.26	1	EPA 8270D Certifications: CTDOH,NELAC-NY10854,NJDEP,PADEP	10/26/2016 14:53	10/27/2016 13:20	KH
95-50-1	1,2-Dichlorobenzene	ND		ug/L	2.63	5.26	1	EPA 8270D Certifications: NELAC-NY10854,PADEP	10/26/2016 14:53	10/27/2016 13:20	KH
20-2	2,6-Dinitrotoluene	ND		ug/L	2.63	5.26	1	EPA 8270D Certifications: CTDOH,NELAC-NY10854,NJDEP,PADEP	10/26/2016 14:53	10/27/2016 13:20	KH
91-58-7	2-Chloronaphthalene	ND		ug/L	2.63	5.26	1	EPA 8270D Certifications: CTDOH,NELAC-NY10854,NJDEP,PADEP	10/26/2016 14:53	10/27/2016 13:20	KH



Sample Information

Client Sample ID: EQUIPMENT BLANK

York Sample ID: 16J0789-04

York Project (SDG) No.
16J0789

Client Project ID
95th str sewer/water OEGS 15-008-0265

Matrix
Water

Collection Date/Time
October 21, 2016 12:15 pm

Date Received
10/21/2016

Semi-Volatiles, 8270 - Comprehensive

Log-in Notes:

Sample Notes:

Sample Prepared by Method: EPA 3510C

CAS No.	Parameter	Result	Flag	Units	Reported to LOD/MDL	LOQ	Dilution	Reference Method	Date/Time Prepared	Date/Time Analyzed	Analyst
95-57-8	2-Chlorophenol	ND		ug/L	2.63	5.26	1	EPA 8270D Certifications: CTDOH,NELAC-NY10854,NJDEP,PADEP	10/26/2016 14:53	10/27/2016 13:20	KH
91-57-6	2-Methylnaphthalene	ND		ug/L	2.63	5.26	1	EPA 8270D Certifications: CTDOH,NELAC-NY10854,NJDEP,PADEP	10/26/2016 14:53	10/27/2016 13:20	KH
541-73-1	1,3-Dichlorobenzene	ND		ug/L	2.63	5.26	1	EPA 8270D Certifications: NELAC-NY10854,PADEP	10/26/2016 14:53	10/27/2016 13:20	KH
95-48-7	2-Methylphenol	ND		ug/L	2.63	5.26	1	EPA 8270D Certifications: CTDOH,NELAC-NY10854,NJDEP,PADEP	10/26/2016 14:53	10/27/2016 13:20	KH
88-74-4	2-Nitroaniline	ND		ug/L	2.63	5.26	1	EPA 8270D Certifications: CTDOH,NELAC-NY10854,NJDEP,PADEP	10/26/2016 14:53	10/27/2016 13:20	KH
106-46-7	1,4-Dichlorobenzene	ND		ug/L	2.63	5.26	1	EPA 8270D Certifications: NELAC-NY10854,PADEP	10/26/2016 14:53	10/27/2016 13:20	KH
88-75-5	2-Nitrophenol	ND		ug/L	2.63	5.26	1	EPA 8270D Certifications: CTDOH,NELAC-NY10854,NJDEP,PADEP	10/26/2016 14:53	10/27/2016 13:20	KH
65794-96-9	3- & 4-Methylphenols	ND		ug/L	2.63	5.26	1	EPA 8270D Certifications: CTDOH,NELAC-NY10854,NJDEP,PADEP	10/26/2016 14:53	10/27/2016 13:20	KH
91-94-1	3,3'-Dichlorobenzidine	ND		ug/L	2.63	5.26	1	EPA 8270D Certifications: CTDOH,NELAC-NY10854,NJDEP,PADEP	10/26/2016 14:53	10/27/2016 13:20	KH
99-09-2	3-Nitroaniline	ND		ug/L	2.63	5.26	1	EPA 8270D Certifications: CTDOH,NELAC-NY10854,NJDEP,PADEP	10/26/2016 14:53	10/27/2016 13:20	KH
534-52-1	4,6-Dinitro-2-methylphenol	ND		ug/L	2.63	5.26	1	EPA 8270D Certifications: CTDOH,NELAC-NY10854,NJDEP,PADEP	10/26/2016 14:53	10/27/2016 13:20	KH
101-55-3	4-Bromophenyl phenyl ether	ND		ug/L	2.63	5.26	1	EPA 8270D Certifications: CTDOH,NELAC-NY10854,NJDEP,PADEP	10/26/2016 14:53	10/27/2016 13:20	KH
59-50-7	4-Chloro-3-methylphenol	ND		ug/L	2.63	5.26	1	EPA 8270D Certifications: CTDOH,NELAC-NY10854,NJDEP,PADEP	10/26/2016 14:53	10/27/2016 13:20	KH
106-47-8	4-Chloroaniline	ND		ug/L	2.63	5.26	1	EPA 8270D Certifications: CTDOH,NELAC-NY10854,NJDEP,PADEP	10/26/2016 14:53	10/27/2016 13:20	KH
7005-72-3	4-Chlorophenyl phenyl ether	ND		ug/L	2.63	5.26	1	EPA 8270D Certifications: CTDOH,NELAC-NY10854,NJDEP,PADEP	10/26/2016 14:53	10/27/2016 13:20	KH
100-01-6	4-Nitroaniline	ND		ug/L	2.63	5.26	1	EPA 8270D Certifications: CTDOH,NELAC-NY10854,NJDEP,PADEP	10/26/2016 14:53	10/27/2016 13:20	KH
100-02-7	4-Nitrophenol	ND		ug/L	2.63	5.26	1	EPA 8270D Certifications: CTDOH,NELAC-NY10854,NJDEP,PADEP	10/26/2016 14:53	10/27/2016 13:20	KH
83-32-9	Acenaphthene	ND		ug/L	0.0526	0.0526	1	EPA 8270D Certifications: CTDOH,NELAC-NY10854,NJDEP,PADEP	10/26/2016 14:53	10/27/2016 12:39	SR
208-96-8	Acenaphthylene	ND		ug/L	0.0526	0.0526	1	EPA 8270D Certifications: CTDOH,NELAC-NY10854,NJDEP,PADEP	10/26/2016 14:53	10/27/2016 12:39	SR
98-86-2	Acetophenone	ND		ug/L	2.63	5.26	1	EPA 8270D Certifications: NELAC-NY10854,NJDEP,PADEP	10/26/2016 14:53	10/27/2016 13:20	KH
62-53-3	Aniline	ND		ug/L	2.63	5.26	1	EPA 8270D Certifications: NELAC-NY10854,NJDEP,PADEP	10/26/2016 14:53	10/27/2016 13:20	KH
120-12-7	Anthracene	ND		ug/L	0.0526	0.0526	1	EPA 8270D Certifications: CTDOH,NELAC-NY10854,NJDEP,PADEP	10/26/2016 14:53	10/27/2016 12:39	SR

HAZ-146



Sample Information

Client Sample ID: EQUIPMENT BLANK

York Sample ID: 16J0789-04

York Project (SDG) No.
16J0789

Client Project ID
95th str sewer/water OEGS 15-008-0265

Matrix
Water

Collection Date/Time
October 21, 2016 12:15 pm

Date Received
10/21/2016

Semi-Volatiles, 8270 - Comprehensive

Log-in Notes:

Sample Notes:

Sample Prepared by Method: EPA 3510C

CAS No.	Parameter	Result	Flag	Units	Reported to LOD/MDL	LOQ	Dilution	Reference Method	Date/Time Prepared	Date/Time Analyzed	Analyst
1912-24-9	Atrazine	ND		ug/L	0.526	0.526	1	EPA 8270D Certifications: NELAC-NY10854,NJDEP,PADEP	10/26/2016 14:53	10/27/2016 12:39	SR
100-52-7	Benzaldehyde	ND		ug/L	2.63	5.26	1	EPA 8270D Certifications: NELAC-NY10854,NJDEP,PADEP	10/26/2016 14:53	10/27/2016 13:20	KH
92-87-5	Benzidine	ND		ug/L	10.5	21.1	1	EPA 8270D Certifications: CTDOH,NELAC-NY10854,NJDEP,PADEP	10/26/2016 14:53	10/27/2016 13:20	KH
56-55-3	Benzo(a)anthracene	ND		ug/L	0.0526	0.0526	1	EPA 8270D Certifications: CTDOH,NELAC-NY10854,NJDEP,PADEP	10/26/2016 14:53	10/27/2016 12:39	SR
50-32-8	Benzo(a)pyrene	ND		ug/L	0.0526	0.0526	1	EPA 8270D Certifications: CTDOH,NELAC-NY10854,NJDEP,PADEP	10/26/2016 14:53	10/27/2016 12:39	SR
205-99-2	Benzo(b)fluoranthene	ND		ug/L	0.0526	0.0526	1	EPA 8270D Certifications: CTDOH,NELAC-NY10854,NJDEP,PADEP	10/26/2016 14:53	10/27/2016 12:39	SR
191-24-2	Benzo(g,h,i)perylene	ND		ug/L	0.0526	0.0526	1	EPA 8270D Certifications: CTDOH,NELAC-NY10854,NJDEP,PADEP	10/26/2016 14:53	10/27/2016 12:39	SR
17-08-9	Benzo(k)fluoranthene	ND		ug/L	0.0526	0.0526	1	EPA 8270D Certifications: CTDOH,NELAC-NY10854,NJDEP,PADEP	10/26/2016 14:53	10/27/2016 12:39	SR
65-85-0	Benzoic acid	ND		ug/L	26.3	52.6	1	EPA 8270D Certifications: NELAC-NY10854,NJDEP,PADEP	10/26/2016 14:53	10/27/2016 13:20	KH
100-51-6	Benzyl alcohol	ND		ug/L	2.63	5.26	1	EPA 8270D Certifications: NELAC-NY10854,NJDEP,PADEP	10/26/2016 14:53	10/27/2016 13:20	KH
85-68-7	Benzyl butyl phthalate	ND		ug/L	2.63	5.26	1	EPA 8270D Certifications: CTDOH,NELAC-NY10854,NJDEP,PADEP	10/26/2016 14:53	10/27/2016 13:20	KH
111-91-1	Bis(2-chloroethoxy)methane	ND		ug/L	2.63	5.26	1	EPA 8270D Certifications: CTDOH,NELAC-NY10854,NJDEP,PADEP	10/26/2016 14:53	10/27/2016 13:20	KH
111-44-4	Bis(2-chloroethyl)ether	ND		ug/L	2.63	5.26	1	EPA 8270D Certifications: CTDOH,NELAC-NY10854,NJDEP,PADEP	10/26/2016 14:53	10/27/2016 13:20	KH
108-60-1	Bis(2-chloroisopropyl)ether	ND		ug/L	2.63	5.26	1	EPA 8270D Certifications: CTDOH,NELAC-NY10854,NJDEP,PADEP	10/26/2016 14:53	10/27/2016 13:20	KH
117-81-7	Bis(2-ethylhexyl)phthalate	ND		ug/L	0.526	0.526	1	EPA 8270D Certifications: CTDOH,NELAC-NY10854,NJDEP,PADEP	10/26/2016 14:53	10/27/2016 12:39	SR
105-60-2	Caprolactam	ND		ug/L	2.63	5.26	1	EPA 8270D Certifications: NELAC-NY10854,NJDEP,PADEP	10/26/2016 14:53	10/27/2016 13:20	KH
86-74-8	Carbazole	ND		ug/L	2.63	5.26	1	EPA 8270D Certifications: CTDOH,NELAC-NY10854,NJDEP,PADEP	10/26/2016 14:53	10/27/2016 13:20	KH
87-68-3	Hexachlorobutadiene	ND		ug/L	0.526	0.526	1	EPA 8270D Certifications: CTDOH,NELAC-NY10854,NJDEP,PADEP	10/26/2016 14:53	10/27/2016 12:39	SR
218-01-9	Chrysene	ND		ug/L	0.0526	0.0526	1	EPA 8270D Certifications: CTDOH,NELAC-NY10854,NJDEP,PADEP	10/26/2016 14:53	10/27/2016 12:39	SR
53-70-3	Dibenzo(a,h)anthracene	ND		ug/L	0.0526	0.0526	1	EPA 8270D Certifications: CTDOH,NELAC-NY10854,NJDEP,PADEP	10/26/2016 14:53	10/27/2016 12:39	SR
172-64-9	Dibenzofuran	ND		ug/L	2.63	5.26	1	EPA 8270D Certifications: CTDOH,NELAC-NY10854,NJDEP,PADEP	10/26/2016 14:53	10/27/2016 13:20	KH
84-66-2	Diethyl phthalate	ND		ug/L	2.63	5.26	1	EPA 8270D Certifications: CTDOH,NELAC-NY10854,NJDEP,PADEP	10/26/2016 14:53	10/27/2016 13:20	KH

HAZ-147



Sample Information

Client Sample ID: EQUIPMENT BLANK

York Sample ID: 16J0789-04

York Project (SDG) No.
16J0789

Client Project ID
95th str sewer/water OEGS 15-008-0265

Matrix
Water

Collection Date/Time
October 21, 2016 12:15 pm

Date Received
10/21/2016

Semi-Volatiles, 8270 - Comprehensive

Log-in Notes:

Sample Notes:

Sample Prepared by Method: EPA 3510C

CAS No.	Parameter	Result	Flag	Units	Reported to LOD/MDL	LOQ	Dilution	Reference Method	Date/Time Prepared	Date/Time Analyzed	Analyst
131-11-3	Dimethyl phthalate	ND		ug/L	2.63	5.26	1	EPA 8270D Certifications: CTDOH,NELAC-NY10854,NJDEP,PADEP	10/26/2016 14:53	10/27/2016 13:20	KH
84-74-2	Di-n-butyl phthalate	ND		ug/L	2.63	5.26	1	EPA 8270D Certifications: CTDOH,NELAC-NY10854,NJDEP,PADEP	10/26/2016 14:53	10/27/2016 13:20	KH
117-84-0	Di-n-octyl phthalate	ND		ug/L	2.63	5.26	1	EPA 8270D Certifications: CTDOH,NELAC-NY10854,NJDEP,PADEP	10/26/2016 14:53	10/27/2016 13:20	KH
91-20-3	Naphthalene	ND		ug/L	0.0526	0.0526	1	EPA 8270D Certifications: CTDOH,NELAC-NY10854,NJDEP,PADEP	10/26/2016 14:53	10/27/2016 12:39	SR
206-44-0	Fluoranthene	ND		ug/L	0.0526	0.0526	1	EPA 8270D Certifications: CTDOH,NELAC-NY10854,NJDEP,PADEP	10/26/2016 14:53	10/27/2016 12:39	SR
86-73-7	Fluorene	ND		ug/L	0.0526	0.0526	1	EPA 8270D Certifications: NELAC-NY10854,NJDEP,PADEP	10/26/2016 14:53	10/27/2016 12:39	SR
118-74-1	Hexachlorobenzene	ND		ug/L	0.0211	0.0211	1	EPA 8270D Certifications: CTDOH,NELAC-NY10854,NJDEP,PADEP	10/26/2016 14:53	10/27/2016 12:39	SR
77-47-4	Hexachlorocyclopentadiene	ND		ug/L	2.63	5.26	1	EPA 8270D Certifications: CTDOH,NELAC-NY10854,NJDEP,PADEP	10/26/2016 14:53	10/27/2016 13:20	KH
67-72-1	Hexachloroethane	ND		ug/L	0.526	0.526	1	EPA 8270D Certifications: CTDOH,NELAC-NY10854,NJDEP,PADEP	10/26/2016 14:53	10/27/2016 12:39	SR
193-39-5	Indeno(1,2,3-cd)pyrene	ND		ug/L	0.0526	0.0526	1	EPA 8270D Certifications: CTDOH,NELAC-NY10854,NJDEP,PADEP	10/26/2016 14:53	10/27/2016 12:39	SR
78-59-1	Isophorone	ND		ug/L	2.63	5.26	1	EPA 8270D Certifications: CTDOH,NELAC-NY10854,NJDEP,PADEP	10/26/2016 14:53	10/27/2016 13:20	KH
98-95-3	Nitrobenzene	ND		ug/L	0.263	0.263	1	EPA 8270D Certifications: CTDOH,NELAC-NY10854,NJDEP,PADEP	10/26/2016 14:53	10/27/2016 12:39	SR
62-75-9	N-Nitrosodimethylamine	ND		ug/L	0.526	0.526	1	EPA 8270D Certifications: CTDOH,NELAC-NY10854,NJDEP,PADEP	10/26/2016 14:53	10/27/2016 12:39	SR
621-64-7	N-nitroso-di-n-propylamine	ND		ug/L	2.63	5.26	1	EPA 8270D Certifications: CTDOH,NELAC-NY10854,NJDEP,PADEP	10/26/2016 14:53	10/27/2016 13:20	KH
86-30-6	N-Nitrosodiphenylamine	ND		ug/L	2.63	5.26	1	EPA 8270D Certifications: CTDOH,NELAC-NY10854,NJDEP,PADEP	10/26/2016 14:53	10/27/2016 13:20	KH
87-86-5	Pentachlorophenol	ND		ug/L	0.263	0.263	1	EPA 8270D Certifications: CTDOH,NELAC-NY10854,NJDEP,PADEP	10/26/2016 14:53	10/27/2016 12:39	SR
85-01-8	Phenanthrene	ND		ug/L	0.0526	0.0526	1	EPA 8270D Certifications: CTDOH,NELAC-NY10854,NJDEP,PADEP	10/26/2016 14:53	10/27/2016 12:39	SR
108-95-2	Phenol	ND		ug/L	2.63	5.26	1	EPA 8270D Certifications: CTDOH,NELAC-NY10854,NJDEP,PADEP	10/26/2016 14:53	10/27/2016 13:20	KH
129-00-0	Pyrene	ND		ug/L	0.0526	0.0526	1	EPA 8270D Certifications: CTDOH,NELAC-NY10854,NJDEP,PADEP	10/26/2016 14:53	10/27/2016 12:39	SR
	Surrogate Recoveries	Result			Acceptance Range						
367-12-4	Surrogate: 2-Fluorophenol	36.5 %			12-64						
4165-62-2	Surrogate: Phenol-d5	26.4 %			10-82						
4165-60-0	Surrogate: Nitrobenzene-d5	70.9 %			12-96						
321-60-8	Surrogate: 2-Fluorobiphenyl	73.3 %			16-84						

HAZ-148



Sample Information

Client Sample ID: EQUIPMENT BLANK

York Sample ID: 16J0789-04

York Project (SDG) No.
16J0789

Client Project ID
95th str sewer/water OEGS 15-008-0265

Matrix
Water

Collection Date/Time
October 21, 2016 12:15 pm

Date Received
10/21/2016

Semi-Volatiles, 8270 - Comprehensive

Log-in Notes:

Sample Notes:

Sample Prepared by Method: EPA 3510C

CAS No.	Parameter	Result	Flag	Units	Reported to LOD/MDL	LOQ	Dilution	Reference Method	Date/Time Prepared	Date/Time Analyzed	Analyst
118-79-6	Surrogate: 2,4,6-Tribromophenol	107 %	S-08		15-104						
1718-51-0	Surrogate: Terphenyl-d14	76.5 %			15-106						

Pesticides, EPA TCL List

Log-in Notes:

Sample Notes:

Sample Prepared by Method: EPA SW846-3510C Low Level

CAS No.	Parameter	Result	Flag	Units	Reported to LOD/MDL	LOQ	Dilution	Reference Method	Date/Time Prepared	Date/Time Analyzed	Analyst
72-54-8	4,4'-DDD	ND		ug/L	0.00421	0.00421	1	EPA 8081B Certifications: CTDOH,NELAC-NY10854,NJDEP,PADEP	10/26/2016 06:21	10/26/2016 15:47	AMC
72-55-9	4,4'-DDE	ND		ug/L	0.00421	0.00421	1	EPA 8081B Certifications: CTDOH,NELAC-NY10854,NJDEP,PADEP	10/26/2016 06:21	10/26/2016 15:47	AMC
50-29-3	4,4'-DDT	ND		ug/L	0.00421	0.00421	1	EPA 8081B Certifications: CTDOH,NELAC-NY10854,NJDEP,PADEP	10/26/2016 06:21	10/26/2016 15:47	AMC
100-2	Aldrin	ND		ug/L	0.00421	0.00421	1	EPA 8081B Certifications: CTDOH,NELAC-NY10854,NJDEP,PADEP	10/26/2016 06:21	10/26/2016 15:47	AMC
319-84-6	alpha-BHC	ND		ug/L	0.00421	0.00421	1	EPA 8081B Certifications: CTDOH,NELAC-NY10854,NJDEP,PADEP	10/26/2016 06:21	10/26/2016 15:47	AMC
319-85-7	beta-BHC	ND		ug/L	0.00421	0.00421	1	EPA 8081B Certifications: CTDOH,NELAC-NY10854,NJDEP,PADEP	10/26/2016 06:21	10/26/2016 15:47	AMC
57-74-9	Chlordane, total	ND		ug/L	0.0211	0.0211	1	EPA 8081B Certifications: CTDOH,NELAC-NY10854,NJDEP,PADEP	10/26/2016 06:21	10/26/2016 15:47	AMC
319-86-8	delta-BHC	ND		ug/L	0.00421	0.00421	1	EPA 8081B Certifications: CTDOH,NELAC-NY10854,NJDEP,PADEP	10/26/2016 06:21	10/26/2016 15:47	AMC
60-57-1	Dieldrin	ND		ug/L	0.00211	0.00211	1	EPA 8081B Certifications: CTDOH,NELAC-NY10854,NJDEP,PADEP	10/26/2016 06:21	10/26/2016 15:47	AMC
959-98-8	Endosulfan I	ND		ug/L	0.00421	0.00421	1	EPA 8081B Certifications: CTDOH,NELAC-NY10854,NJDEP,PADEP	10/26/2016 06:21	10/26/2016 15:47	AMC
33213-65-9	Endosulfan II	ND		ug/L	0.00421	0.00421	1	EPA 8081B Certifications: CTDOH,NELAC-NY10854,NJDEP,PADEP	10/26/2016 06:21	10/26/2016 15:47	AMC
1031-07-8	Endosulfan sulfate	ND		ug/L	0.00421	0.00421	1	EPA 8081B Certifications: CTDOH,NELAC-NY10854,NJDEP,PADEP	10/26/2016 06:21	10/26/2016 15:47	AMC
72-20-8	Endrin	ND		ug/L	0.00421	0.00421	1	EPA 8081B Certifications: CTDOH,NELAC-NY10854,NJDEP,PADEP	10/26/2016 06:21	10/26/2016 15:47	AMC
7421-93-4	Endrin aldehyde	ND		ug/L	0.0105	0.0105	1	EPA 8081B Certifications: CTDOH,NELAC-NY10854,NJDEP,PADEP	10/26/2016 06:21	10/26/2016 15:47	AMC
53494-70-5	Endrin ketone	ND		ug/L	0.0105	0.0105	1	EPA 8081B Certifications: CTDOH,NELAC-NY10854,NJDEP,PADEP	10/26/2016 06:21	10/26/2016 15:47	AMC
58-89-9	gamma-BHC (Lindane)	ND		ug/L	0.00421	0.00421	1	EPA 8081B Certifications: CTDOH,NELAC-NY10854,NJDEP,PADEP	10/26/2016 06:21	10/26/2016 15:47	AMC
76-44-8	Heptachlor	ND		ug/L	0.00421	0.00421	1	EPA 8081B Certifications: CTDOH,NELAC-NY10854,NJDEP,PADEP	10/26/2016 06:21	10/26/2016 15:47	AMC
57-3	Heptachlor epoxide	ND		ug/L	0.00421	0.00421	1	EPA 8081B Certifications: CTDOH,NELAC-NY10854,NJDEP,PADEP	10/26/2016 06:21	10/26/2016 15:47	AMC

HAZ-149



Sample Information

Client Sample ID: EQUIPMENT BLANK

York Sample ID: 16J0789-04

York Project (SDG) No.
16J0789

Client Project ID
95th str sewer/water OEGS 15-008-0265

Matrix
Water

Collection Date/Time
October 21, 2016 12:15 pm

Date Received
10/21/2016

Pesticides, EPA TCL List

Log-in Notes:

Sample Notes:

Sample Prepared by Method: EPA SW846-3510C Low Level

CAS No.	Parameter	Result	Flag	Units	LOD/MDL	Reported to LOQ	Dilution	Reference Method	Date/Time Prepared	Date/Time Analyzed	Analyst
72-43-5	Methoxychlor	ND		ug/L	0.00421	0.00421	1	EPA 8081B Certifications: CTDOH,NELAC-NY10854,NJDEP,PADEP	10/26/2016 06:21	10/26/2016 15:47	AMC
8001-35-2	Toxaphene	ND		ug/L	0.105	0.105	1	EPA 8081B Certifications: CTDOH,NELAC-NY10854,NJDEP,PADEP	10/26/2016 06:21	10/26/2016 15:47	AMC
Surrogate Recoveries		Result			Acceptance Range						
877-09-8	Surrogate: Tetrachloro-m-xylene	41.0 %			30-120						
2051-24-3	Surrogate: Decachlorobiphenyl	59.9 %			30-120						

Polychlorinated Biphenyls (PCB)

Log-in Notes:

Sample Notes:

Sample Prepared by Method: EPA SW846-3510C Low Level

CAS No.	Parameter	Result	Flag	Units	LOD/MDL	Reported to LOQ	Dilution	Reference Method	Date/Time Prepared	Date/Time Analyzed	Analyst
12674-11-2	Aroclor 1016	ND		ug/L	0.0526	0.0526	1	EPA 8082A Certifications: NELAC-NY10854,CTDOH,NJDEP,PADEP	10/26/2016 06:21	10/26/2016 19:21	AMC
11104-28-2	Aroclor 1221	ND		ug/L	0.0526	0.0526	1	EPA 8082A Certifications: NELAC-NY10854,CTDOH,NJDEP,PADEP	10/26/2016 06:21	10/26/2016 19:21	AMC
11141-16-5	Aroclor 1232	ND		ug/L	0.0526	0.0526	1	EPA 8082A Certifications: NELAC-NY10854,CTDOH,NJDEP,PADEP	10/26/2016 06:21	10/26/2016 19:21	AMC
53469-21-9	Aroclor 1242	ND		ug/L	0.0526	0.0526	1	EPA 8082A Certifications: NELAC-NY10854,CTDOH,NJDEP,PADEP	10/26/2016 06:21	10/26/2016 19:21	AMC
12672-29-6	Aroclor 1248	ND		ug/L	0.0526	0.0526	1	EPA 8082A Certifications: NELAC-NY10854,CTDOH,NJDEP,PADEP	10/26/2016 06:21	10/26/2016 19:21	AMC
11097-69-1	Aroclor 1254	ND		ug/L	0.0526	0.0526	1	EPA 8082A Certifications: NELAC-NY10854,CTDOH,NJDEP,PADEP	10/26/2016 06:21	10/26/2016 19:21	AMC
11096-82-5	Aroclor 1260	ND		ug/L	0.0526	0.0526	1	EPA 8082A Certifications: NELAC-NY10854,CTDOH,NJDEP,PADEP	10/26/2016 06:21	10/26/2016 19:21	AMC
1336-36-3	* Total PCBs	ND		ug/L	0.0526	0.0526	1	EPA 8082A Certifications:	10/26/2016 06:21	10/26/2016 19:21	AMC
Surrogate Recoveries		Result			Acceptance Range						
877-09-8	Surrogate: Tetrachloro-m-xylene	48.0 %			30-120						
2051-24-3	Surrogate: Decachlorobiphenyl	58.0 %			30-120						

Metals, Target Analyte, ICP

Log-in Notes:

Sample Notes:

Sample Prepared by Method: EPA 3015A

CAS No.	Parameter	Result	Flag	Units	LOD/MDL	Reported to LOQ	Dilution	Reference Method	Date/Time Prepared	Date/Time Analyzed	Analyst
7429-90-5	Aluminum	ND		mg/L	0.0556	0.0556	1	EPA 6010C Certifications: CTDOH,NELAC-NY10854,NJDEP,PADEP	10/24/2016 11:12	10/24/2016 16:09	KV
7440-39-3	Barium	ND		mg/L	0.0111	0.0111	1	EPA 6010C Certifications: CTDOH,NELAC-NY10854,NJDEP,PADEP	10/24/2016 11:12	10/24/2016 16:09	KV
7440-70-2	Calcium	0.137		mg/L	0.0556	0.0556	1	EPA 6010C Certifications: CTDOH,NELAC-NY10854,NJDEP,PADEP	10/24/2016 11:12	10/24/2016 16:09	KV

HAZ-150



Sample Information

Client Sample ID: EQUIPMENT BLANK **York Sample ID:** 16J0789-04
York Project (SDG) No. 16J0789 **Client Project ID** 95th str sewer/water OEGS 15-008-0265 **Matrix** Water **Collection Date/Time** October 21, 2016 12:15 pm **Date Received** 10/21/2016

Metals, Target Analyte, ICP

Log-in Notes:

Sample Notes:

Sample Prepared by Method: EPA 3015A

CAS No.	Parameter	Result	Flag	Units	LOD/MDL	Reported to LOQ	Dilution	Reference Method	Date/Time Prepared	Date/Time Analyzed	Analyst
7440-47-3	Chromium	ND		mg/L	0.00556	0.00556	1	EPA 6010C Certifications: CTDOH,NELAC-NY10854,NJDEP,PADEP	10/24/2016 11:12	10/24/2016 16:09	KV
7440-50-8	Copper	0.0115		mg/L	0.00333	0.00333	1	EPA 6010C Certifications: CTDOH,NELAC-NY10854,NJDEP,PADEP	10/24/2016 11:12	10/24/2016 16:09	KV
7439-89-6	Iron	0.0414		mg/L	0.0222	0.0222	1	EPA 6010C Certifications: CTDOH,NELAC-NY10854,NJDEP,PADEP	10/24/2016 11:12	10/24/2016 16:09	KV
7439-92-1	Lead	ND		mg/L	0.00333	0.00333	1	EPA 6010C Certifications: CTDOH,NELAC-NY10854,NJDEP,PADEP	10/24/2016 11:12	10/24/2016 16:09	KV
7439-95-4	Magnesium	ND		mg/L	0.0556	0.0556	1	EPA 6010C Certifications: CTDOH,NELAC-NY10854,NJDEP,PADEP	10/24/2016 11:12	10/24/2016 16:09	KV
7439-96-5	Manganese	ND		mg/L	0.00556	0.00556	1	EPA 6010C Certifications: CTDOH,NELAC-NY10854,NJDEP,PADEP	10/24/2016 11:12	10/24/2016 16:09	KV
7440-02-0	Nickel	0.0118		mg/L	0.00556	0.00556	1	EPA 6010C Certifications: CTDOH,NELAC-NY10854,NJDEP,PADEP	10/24/2016 11:12	10/24/2016 16:09	KV
7440-09-7	Potassium	ND		mg/L	0.0556	0.0556	1	EPA 6010C Certifications: CTDOH,NELAC-NY10854,NJDEP,PADEP	10/24/2016 11:12	10/24/2016 16:09	KV
7782-49-2	Selenium	ND		mg/L	0.0111	0.0111	1	EPA 6010C Certifications: CTDOH,NELAC-NY10854,NJDEP,PADEP	10/24/2016 11:12	10/24/2016 16:09	KV
7440-22-4	Silver	ND		mg/L	0.00556	0.00556	1	EPA 6010C Certifications: CTDOH,NELAC-NY10854,NJDEP,PADEP	10/24/2016 11:12	10/24/2016 16:09	KV
7440-23-5	Sodium	0.914		mg/L	0.111	0.111	1	EPA 6010C Certifications: CTDOH,NELAC-NY10854,NJDEP,PADEP	10/24/2016 11:12	10/24/2016 16:09	KV
7440-62-2	Vanadium	ND		mg/L	0.0111	0.0111	1	EPA 6010C Certifications: CTDOH,NELAC-NY10854,NJDEP,PADEP	10/24/2016 11:12	10/24/2016 16:09	KV
7440-66-6	Zinc	0.0362		mg/L	0.0111	0.0111	1	EPA 6010C Certifications: CTDOH,NELAC-NY10854,NJDEP,PADEP	10/24/2016 11:12	10/24/2016 16:09	KV

Metals, Target Analyte, ICPMS

Log-in Notes:

Sample Notes:

Sample Prepared by Method: EPA 3015A

CAS No.	Parameter	Result	Flag	Units	LOD/MDL	Reported to LOQ	Dilution	Reference Method	Date/Time Prepared	Date/Time Analyzed	Analyst
7440-36-0	Antimony	ND		ug/L	2.22	2.22	2	EPA 6020A Certifications: CTDOH,NELAC-NY10854,NJDEP,PADEP	10/25/2016 08:02	10/26/2016 08:27	ALD
7440-38-2	Arsenic	ND		ug/L	2.22	2.22	2	EPA 6020A Certifications: CTDOH,NELAC-NY10854,NJDEP,PADEP	10/25/2016 08:02	10/26/2016 08:27	ALD
7440-41-7	Beryllium	ND		ug/L	0.667	0.667	2	EPA 6020A Certifications: CTDOH,NELAC-NY10854,NJDEP,PADEP	10/25/2016 08:02	10/26/2016 08:27	ALD
7440-43-9	Cadmium	ND		ug/L	1.11	1.11	2	EPA 6020A Certifications: CTDOH,NELAC-NY10854,NJDEP,PADEP	10/25/2016 08:02	10/26/2016 08:27	ALD
7439-98-7	Molybdenum	ND		ug/L	2.22	2.22	2	EPA 6020A Certifications: CTDOH,NELAC-NY10854,NJDEP,PADEP	10/25/2016 08:02	10/26/2016 08:27	ALD
7440-49-2	* Selenium	3.78		ug/L	2.22	2.22	2	EPA 6020A Certifications:	10/25/2016 08:02	10/26/2016 08:27	ALD

HAZ-151



Sample Information

Client Sample ID: EQUIPMENT BLANK York Sample ID: 16J0789-04
York Project (SDG) No. 16J0789 Client Project ID 95th str sewer/water OEGS 15-008-0265 Matrix Water Collection Date/Time October 21, 2016 12:15 pm Date Received 10/21/2016

Metals, Target Analyte, ICPMS

Log-in Notes:

Sample Notes:

Sample Prepared by Method: EPA 3015A

Table with 12 columns: CAS No., Parameter, Result, Flag, Units, LOD/MDL, Reported to LOQ, Dilution, Reference Method, Date/Time Prepared, Date/Time Analyzed, Analyst. Row 1: 7440-28-0, Thallium, ND, ug/L, 2.22, 2.22, 2, EPA 6020A, 10/25/2016 08:02, 10/26/2016 08:27, ALD.

Mercury by 7473

Log-in Notes:

Sample Notes:

Sample Prepared by Method: EPA 7473 water

Table with 12 columns: CAS No., Parameter, Result, Flag, Units, LOD/MDL, Reported to LOQ, Dilution, Reference Method, Date/Time Prepared, Date/Time Analyzed, Analyst. Row 1: 7439-97-6, Mercury, ND, mg/L, 0.00020, 0.00020, 1, EPA 7473, 10/25/2016 06:37, 10/26/2016 13:25, ALD.

Sample Information

Client Sample ID: TRIP BANK York Sample ID: 16J0789-04
York Project (SDG) No. 16J0789 Client Project ID 95th str sewer/water OEGS 15-008-0265 Matrix Water Collection Date/Time October 21, 2016 3:00 pm Date Received 10/21/2016

Volatile Organics, 8260 - Comprehensive

Log-in Notes:

Sample Notes:

Sample Prepared by Method: EPA 5030B

Table with 12 columns: CAS No., Parameter, Result, Flag, Units, LOD/MDL, Reported to LOQ, Dilution, Reference Method, Date/Time Prepared, Date/Time Analyzed, Analyst. Rows include 630-20-6 (1,1,1,2-Tetrachloroethane), 71-55-6 (1,1,1-Trichloroethane), 79-34-5 (1,1,2,2-Tetrachloroethane), 76-13-1 (1,1,2-Trichloro-1,2,2-trifluoroethane), 79-00-5 (1,1,2-Trichloroethane), 75-34-3 (1,1-Dichloroethane), 75-35-4 (1,1-Dichloroethylene), 87-61-6 (1,2,3-Trichlorobenzene), 96-18-4 (1,2,3-Trichloropropane), 120-82-1 (1,2,4-Trichlorobenzene).

HAZ-152



Sample Information

Client Sample ID: TRIP BANK

York Sample ID: 16J0789-05

York Project (SDG) No.
16J0789

Client Project ID
95th str sewer/water OEGS 15-008-0265

Matrix
Water

Collection Date/Time
October 21, 2016 3:00 pm

Date Received
10/21/2016

Volatile Organics, 8260 - Comprehensive

Log-in Notes:

Sample Notes:

Sample Prepared by Method: EPA 5030B

CAS No.	Parameter	Result	Flag	Units	Reported to LOD/MDL	LOQ	Dilution	Reference Method	Date/Time Prepared	Date/Time Analyzed	Analyst
95-63-6	1,2,4-Trimethylbenzene	ND		ug/L	0.20	0.50	1	EPA 8260C Certifications: CTDOH,NELAC-NY10854,NJDEP	10/27/2016 08:00	10/27/2016 17:37	SS
96-12-8	1,2-Dibromo-3-chloropropane	ND		ug/L	0.20	2.0	1	EPA 8260C Certifications: CTDOH,NELAC-NY10854,NJDEP	10/27/2016 08:00	10/27/2016 17:37	SS
106-93-4	1,2-Dibromoethane	ND		ug/L	0.20	0.50	1	EPA 8260C Certifications: CTDOH,NELAC-NY10854,NJDEP	10/27/2016 08:00	10/27/2016 17:37	SS
95-50-1	1,2-Dichlorobenzene	ND		ug/L	0.20	0.50	1	EPA 8260C Certifications: CTDOH,NELAC-NY10854,NJDEP	10/27/2016 08:00	10/27/2016 17:37	SS
107-06-2	1,2-Dichloroethane	ND		ug/L	0.20	0.50	1	EPA 8260C Certifications: CTDOH,NELAC-NY10854,NJDEP	10/27/2016 08:00	10/27/2016 17:37	SS
78-87-5	1,2-Dichloropropane	ND		ug/L	0.20	0.50	1	EPA 8260C Certifications: CTDOH,NELAC-NY10854,NJDEP	10/27/2016 08:00	10/27/2016 17:37	SS
108-67-8	1,3,5-Trimethylbenzene	ND		ug/L	0.20	0.50	1	EPA 8260C Certifications: CTDOH,NELAC-NY10854,NJDEP	10/27/2016 08:00	10/27/2016 17:37	SS
1-73-1	1,3-Dichlorobenzene	ND		ug/L	0.20	0.50	1	EPA 8260C Certifications: CTDOH,NELAC-NY10854,NJDEP	10/27/2016 08:00	10/27/2016 17:37	SS
106-46-7	1,4-Dichlorobenzene	ND		ug/L	0.20	0.50	1	EPA 8260C Certifications: CTDOH,NELAC-NY10854,NJDEP	10/27/2016 08:00	10/27/2016 17:37	SS
123-91-1	1,4-Dioxane	ND		ug/L	40	40	1	EPA 8260C Certifications: NELAC-NY10854,NJDEP	10/27/2016 08:00	10/27/2016 17:37	SS
78-93-3	2-Butanone	ND		ug/L	0.20	2.0	1	EPA 8260C Certifications: CTDOH,NELAC-NY10854,NJDEP	10/27/2016 08:00	10/27/2016 17:37	SS
591-78-6	2-Hexanone	ND		ug/L	0.20	2.0	1	EPA 8260C Certifications: CTDOH,NELAC-NY10854,NJDEP	10/27/2016 08:00	10/27/2016 17:37	SS
108-10-1	4-Methyl-2-pentanone	ND		ug/L	0.20	2.0	1	EPA 8260C Certifications: CTDOH,NELAC-NY10854,NJDEP	10/27/2016 08:00	10/27/2016 17:37	SS
67-64-1	Acetone	ND		ug/L	1.0	2.0	1	EPA 8260C Certifications: CTDOH,NELAC-NY10854,NJDEP	10/27/2016 08:00	10/27/2016 17:37	SS
107-02-8	Acrolein	ND		ug/L	0.20	0.50	1	EPA 8260C Certifications: CTDOH,NELAC-NY10854,NJDEP	10/27/2016 08:00	10/27/2016 17:37	SS
107-13-1	Acrylonitrile	ND		ug/L	0.20	2.0	1	EPA 8260C Certifications: CTDOH,NELAC-NY10854,NJDEP	10/27/2016 08:00	10/27/2016 17:37	SS
71-43-2	Benzene	ND		ug/L	0.20	0.50	1	EPA 8260C Certifications: CTDOH,NELAC-NY10854,NJDEP	10/27/2016 08:00	10/27/2016 17:37	SS
74-97-5	Bromochloromethane	ND		ug/L	0.20	0.50	1	EPA 8260C Certifications: NELAC-NY10854,NJDEP	10/27/2016 08:00	10/27/2016 17:37	SS
75-27-4	Bromodichloromethane	ND		ug/L	0.20	0.50	1	EPA 8260C Certifications: CTDOH,NELAC-NY10854,NJDEP	10/27/2016 08:00	10/27/2016 17:37	SS
75-25-2	Bromoform	ND		ug/L	0.20	0.50	1	EPA 8260C Certifications: CTDOH,NELAC-NY10854,NJDEP	10/27/2016 08:00	10/27/2016 17:37	SS
83-9	Bromomethane	ND		ug/L	0.20	2.0	1	EPA 8260C Certifications: CTDOH,NELAC-NY10854,NJDEP	10/27/2016 08:00	10/27/2016 17:37	SS
75-15-0	Carbon disulfide	ND		ug/L	0.20	0.50	1	EPA 8260C Certifications: CTDOH,NELAC-NY10854,NJDEP	10/27/2016 08:00	10/27/2016 17:37	SS



Sample Information

Client Sample ID: TRIP BANK

York Sample ID: 16J0789-05

York Project (SDG) No.
16J0789

Client Project ID
95th str sewer/water OEGS 15-008-0265

Matrix
Water

Collection Date/Time
October 21, 2016 3:00 pm

Date Received
10/21/2016

Volatile Organics, 8260 - Comprehensive

Log-in Notes:

Sample Notes:

Sample Prepared by Method: EPA 5030B

CAS No.	Parameter	Result	Flag	Units	Reported to LOD/MDL	LOQ	Dilution	Reference Method	Date/Time Prepared	Date/Time Analyzed	Analyst
56-23-5	Carbon tetrachloride	ND		ug/L	0.20	0.50	1	EPA 8260C Certifications: CTDOH,NELAC-NY10854,NJDEP	10/27/2016 08:00	10/27/2016 17:37	SS
108-90-7	Chlorobenzene	ND		ug/L	0.20	0.50	1	EPA 8260C Certifications: CTDOH,NELAC-NY10854,NJDEP	10/27/2016 08:00	10/27/2016 17:37	SS
75-00-3	Chloroethane	ND		ug/L	0.20	0.50	1	EPA 8260C Certifications: CTDOH,NELAC-NY10854,NJDEP	10/27/2016 08:00	10/27/2016 17:37	SS
67-66-3	Chloroform	ND		ug/L	0.20	0.50	1	EPA 8260C Certifications: CTDOH,NELAC-NY10854,NJDEP	10/27/2016 08:00	10/27/2016 17:37	SS
74-87-3	Chloromethane	ND		ug/L	0.20	0.50	1	EPA 8260C Certifications: CTDOH,NELAC-NY10854,NJDEP	10/27/2016 08:00	10/27/2016 17:37	SS
156-59-2	cis-1,2-Dichloroethylene	ND		ug/L	0.20	0.50	1	EPA 8260C Certifications: CTDOH,NELAC-NY10854,NJDEP	10/27/2016 08:00	10/27/2016 17:37	SS
10061-01-5	cis-1,3-Dichloropropylene	ND		ug/L	0.20	0.50	1	EPA 8260C Certifications: CTDOH,NELAC-NY10854,NJDEP	10/27/2016 08:00	10/27/2016 17:37	SS
110-82-7	Cyclohexane	ND		ug/L	0.20	0.50	1	EPA 8260C Certifications: NELAC-NY10854,NJDEP	10/27/2016 08:00	10/27/2016 17:37	SS
124-48-1	Dibromochloromethane	ND		ug/L	0.20	0.50	1	EPA 8260C Certifications: CTDOH,NELAC-NY10854,NJDEP	10/27/2016 08:00	10/27/2016 17:37	SS
74-95-3	Dibromomethane	ND		ug/L	0.20	0.50	1	EPA 8260C Certifications: NELAC-NY10854,NJDEP	10/27/2016 08:00	10/27/2016 17:37	SS
75-71-8	Dichlorodifluoromethane	ND		ug/L	0.20	0.50	1	EPA 8260C Certifications: NELAC-NY10854,NJDEP	10/27/2016 08:00	10/27/2016 17:37	SS
100-41-4	Ethyl Benzene	ND		ug/L	0.20	0.50	1	EPA 8260C Certifications: CTDOH,NELAC-NY10854,NJDEP	10/27/2016 08:00	10/27/2016 17:37	SS
87-68-3	Hexachlorobutadiene	ND		ug/L	0.20	0.50	1	EPA 8260C Certifications: NELAC-NY10854,NJDEP	10/27/2016 08:00	10/27/2016 17:37	SS
98-82-8	Isopropylbenzene	ND		ug/L	0.20	0.50	1	EPA 8260C Certifications: CTDOH,NELAC-NY10854,NJDEP	10/27/2016 08:00	10/27/2016 17:37	SS
79-20-9	Methyl acetate	ND		ug/L	0.20	0.50	1	EPA 8260C Certifications: NELAC-NY10854,NJDEP	10/27/2016 08:00	10/27/2016 17:37	SS
1634-04-4	Methyl tert-butyl ether (MTBE)	ND		ug/L	0.20	0.50	1	EPA 8260C Certifications: CTDOH,NELAC-NY10854,NJDEP	10/27/2016 08:00	10/27/2016 17:37	SS
108-87-2	Methylcyclohexane	ND		ug/L	0.20	0.50	1	EPA 8260C Certifications: NELAC-NY10854,NJDEP	10/27/2016 08:00	10/27/2016 17:37	SS
75-09-2	Methylene chloride	ND		ug/L	1.0	2.0	1	EPA 8260C Certifications: CTDOH,NELAC-NY10854,NJDEP	10/27/2016 08:00	10/27/2016 17:37	SS
104-51-8	n-Butylbenzene	ND		ug/L	0.20	0.50	1	EPA 8260C Certifications: CTDOH,NELAC-NY10854,NJDEP	10/27/2016 08:00	10/27/2016 17:37	SS
103-65-1	n-Propylbenzene	ND		ug/L	0.20	0.50	1	EPA 8260C Certifications: CTDOH,NELAC-NY10854,NJDEP	10/27/2016 08:00	10/27/2016 17:37	SS
95-47-6	o-Xylene	ND		ug/L	0.20	0.50	1	EPA 8260C Certifications: NELAC-NY10854	10/27/2016 08:00	10/27/2016 17:37	SS
179601-23-1	p- & m- Xylenes	ND		ug/L	0.50	1.0	1	EPA 8260C Certifications: NELAC-NY10854	10/27/2016 08:00	10/27/2016 17:37	SS

HAZ-154



Sample Information

Client Sample ID: TRIP BANK

York Sample ID: 16J0789-05

York Project (SDG) No.
16J0789

Client Project ID
95th str sewer/water OEGS 15-008-0265

Matrix
Water

Collection Date/Time
October 21, 2016 3:00 pm

Date Received
10/21/2016

Volatile Organics, 8260 - Comprehensive

Log-in Notes:

Sample Notes:

Sample Prepared by Method: EPA 5030B

CAS No.	Parameter	Result	Flag	Units	Reported to LOD/MDL	LOQ	Dilution	Reference Method	Date/Time Prepared	Date/Time Analyzed	Analyst
99-87-6	p-Isopropyltoluene	ND		ug/L	0.20	0.50	1	EPA 8260C Certifications: CTDOH,NELAC-NY10854,NJDEP	10/27/2016 08:00	10/27/2016 17:37	SS
135-98-8	sec-Butylbenzene	ND		ug/L	0.20	0.50	1	EPA 8260C Certifications: CTDOH,NELAC-NY10854,NJDEP	10/27/2016 08:00	10/27/2016 17:37	SS
100-42-5	Styrene	ND		ug/L	0.20	0.50	1	EPA 8260C Certifications: CTDOH,NELAC-NY10854,NJDEP	10/27/2016 08:00	10/27/2016 17:37	SS
75-65-0	tert-Butyl alcohol (TBA)	ND		ug/L	0.50	2.0	1	EPA 8260C Certifications: NELAC-NY10854,NJDEP	10/27/2016 08:00	10/27/2016 17:37	SS
98-06-6	tert-Butylbenzene	ND		ug/L	0.20	0.50	1	EPA 8260C Certifications: CTDOH,NELAC-NY10854,NJDEP	10/27/2016 08:00	10/27/2016 17:37	SS
127-18-4	Tetrachloroethylene	ND		ug/L	0.20	0.50	1	EPA 8260C Certifications: CTDOH,NELAC-NY10854,NJDEP	10/27/2016 08:00	10/27/2016 17:37	SS
108-88-3	Toluene	ND		ug/L	0.20	0.50	1	EPA 8260C Certifications: CTDOH,NELAC-NY10854,NJDEP	10/27/2016 08:00	10/27/2016 17:37	SS
106-5	trans-1,2-Dichloroethylene	ND		ug/L	0.20	0.50	1	EPA 8260C Certifications: CTDOH,NELAC-NY10854,NJDEP	10/27/2016 08:00	10/27/2016 17:37	SS
10061-02-6	trans-1,3-Dichloropropylene	ND		ug/L	0.20	0.50	1	EPA 8260C Certifications: CTDOH,NELAC-NY10854,NJDEP	10/27/2016 08:00	10/27/2016 17:37	SS
79-01-6	Trichloroethylene	ND		ug/L	0.20	0.50	1	EPA 8260C Certifications: CTDOH,NELAC-NY10854,NJDEP	10/27/2016 08:00	10/27/2016 17:37	SS
75-69-4	Trichlorofluoromethane	ND		ug/L	0.20	0.50	1	EPA 8260C Certifications: CTDOH,NELAC-NY10854,NJDEP	10/27/2016 08:00	10/27/2016 17:37	SS
75-01-4	Vinyl Chloride	ND		ug/L	0.20	0.50	1	EPA 8260C Certifications: CTDOH,NELAC-NY10854,NJDEP	10/27/2016 08:00	10/27/2016 17:37	SS
1330-20-7	* Xylenes, Total	ND		ug/L	0.60	1.5	1	EPA 8260C Certifications: CTDOH,NJDEP	10/27/2016 08:00	10/27/2016 17:37	SS

	Surrogate Recoveries	Result	Acceptance Range
17060-07-0	Surrogate: 1,2-Dichloroethane-d4	110 %	69-130
2037-26-5	Surrogate: Toluene-d8	94.8 %	81-117
460-00-4	Surrogate: p-Bromofluorobenzene	94.8 %	79-122

HAZ-155



Volatile Analysis Sample Containers

Lab ID	Client Sample ID	Volatile Sample Container
16J0789-01	TWP-01	40mL Clear Vial (pre-pres.) HCl; Cool to 4° C
16J0789-02	TWP-05	40mL Clear Vial (pre-pres.) HCl; Cool to 4° C
16J0789-03	TWP-01 DUP	40mL Clear Vial (pre-pres.) HCl; Cool to 4° C
16J0789-04	EQUIPMENT BLANK	40mL Clear Vial (pre-pres.) HCl; Cool to 4° C
16J0789-05	TRIP BANK	40mL Clear Vial (pre-pres.) HCl; Cool to 4° C

HAZ-156



Notes and Definitions

S-08	The recovery of this surrogate was outside of QC limits.
QL-02	This LCS analyte is outside Laboratory Recovery limits due the analyte behavior using the referenced method. The reference method has certain limitations with respect to analytes of this nature.
M-RPD	Sample conc. <5 X reporting limit.
M-MISpk	The spike recovery was outside acceptance limits for the MS and/or MSD due to matrix interference. The SRM was within acceptance limits, therefore data are acceptable.
M-LSRD	Original sample conc <50 X reporting limit.
M-HCSpk	Sample conc. >10 X spike conc.
J	Detected below the Reporting Limit but greater than or equal to the Method Detection Limit (MDL/LOD) or in the case of a TIC, the result is an estimated concentration.
ICV-E	The value reported is ESTIMATED. The value is estimated due to its behavior during initial calibration verification (recovery exceeded 30% of expected value).
HT-pH	HOLDING TIME EXCEEDED. Samples for pH must be measured in the field or within 15 minutes of sample collection.
GC-Surr	Surrogate recovery outside of control limits. The data was accepted based on valid recovery of the alternate surrogate.
F-01	> 200
CCV-E	The value reported is ESTIMATED. The value is estimated due to its behavior during continuing calibration verification (>20% Difference for average Rf or >20% Drift for quadratic fit).

* Analyte is not certified or the state of the samples origination does not offer certification for the Analyte.

ND NOT DETECTED - the analyte is not detected at the Reported to level (LOQ/RL or LOD/MDL)

RL REPORTING LIMIT - the minimum reportable value based upon the lowest point in the analyte calibration curve.

LOQ LIMIT OF QUANTITATION - the minimum concentration of a target analyte that can be reported within a specified degree of confidence. This is the lowest point in an analyte calibration curve that has been subjected to all steps of the processing/analysis and verified to meet defined criteria. This is based upon NELAC 2009 Standards and applies to all analyses.

LOD LIMIT OF DETECTION - a verified estimate of the minimum concentration of a substance in a given matrix that an analytical process can reliably detect. This is based upon NELAC 2009 Standards and applies to all analyses conducted under the auspices of EPA SW-846.

MDL METHOD DETECTION LIMIT - a statistically derived estimate of the minimum amount of a substance an analytical system can reliably detect with a 99% confidence that the concentration of the substance is greater than zero. This is based upon 40 CFR Part 136 Appendix B and applies only to EPA 600 and 200 series methods.

Reported to This indicates that the data for a particular analysis is reported to either the LOD/MDL, or the LOQ/RL. In cases where the "Reported to" is located above the LOD/MDL, any value between this and the LOQ represents an estimated value which is "J" flagged accordingly. This applies to volatile and semi-volatile target compounds only.

NR Not reported

RPD Relative Percent Difference

Wet The data has been reported on an as-received (wet weight) basis

Low Bias Low Bias flag indicates that the recovery of the flagged analyte is below the laboratory or regulatory lower control limit. The data user should take note that this analyte may be biased low but should evaluate multiple lines of evidence including the LCS and site-specific MS/MSD data to draw bias conclusions. In cases where no site-specific MS/MSD was requested, only the LCS data can be used to evaluate such bias.

High Bias High Bias flag indicates that the recovery of the flagged analyte is above the laboratory or regulatory upper control limit. The data user should take note that this analyte may be biased high but should evaluate multiple lines of evidence including the LCS and site-specific MS/MSD data to draw bias conclusions. In cases where no site-specific MS/MSD was requested, only the LCS data can be used to evaluate such bias.



Non-Dir. Non-dir. flag (Non-Directional Bias) indicates that the Relative Percent Difference (RPD) (a measure of precision) among the MS and MSD data is outside the laboratory or regulatory control limit. This alerts the data user where the MS and MSD are from site-specific samples that the RPD is high due to either non-homogeneous distribution of target analyte between the MS/MSD or indicates poor reproducibility for other reasons.

If EPA SW-846 method 8270 is included herein it is noted that the target compound N-nitrosodiphenylamine (NDPA) decomposes in the gas chromatographic inlet and cannot be separated from diphenylamine (DPA). These results could actually represent 100% DPA, 100% NDPA or some combination of the two. For this reason, York reports the combined result for n-nitrosodiphenylamine and diphenylamine for either of these compounds as a combined concentration as Diphenylamine.

If Total PCBs are detected and the target aroclors reported are "Not detected", the Total PCB value is reported due to the presence of either or both Aroclors 1262 and 1268 which are non-target aroclors for some regulatory lists.

2-chloroethylvinyl ether readily breaks down under acidic conditions. Samples that are acid preserved, including standards will exhibit breakdown. The data user should take note.

Certification for pH is no longer offered by NYDOH ELAP.

Semi-Volatile and Volatile analyses are reported down to the LOD/MDL, with values between the LOD/MDL and the LOQ being "J" flagged as estimated results.

For analyses by EPA SW-846-8270D, the Limit of Quantitation (LOQ) reported for benzidine is based upon the lowest standard used for calibration and is not a verified LOQ due to this compound's propensity for oxidative losses during extraction/concentration procedures and non-reproducible chromatographic performance.

Corrective Action: The client didnt distinguish which container was Total or Filtered for TWP-01 & 05 TAL Metals. The lab performed Total Metals using the NYC Discharge bottle submitted and the Dissolved Metals using an unpreserved container which was lab filtered.

Field Chain-of-Custody Record

York Project No. 16J0789

NOTE: York's Std. Terms & Conditions are listed on the back side of this document. This document serves as your written authorization to York to proceed with the analyses requested and your signature binds you to York's Std. Terms & Conditions.

YOUR Information		Report To:		Invoice To:		YOUR Project ID		Turn-Around Time		Report Type															
Company: <u>Uro Engineers</u>	Company: <u>same</u>	Company: <u>same</u>	Company: <u>same</u>	Company: <u>same</u>	Company: <u>same</u>	Company: <u>same</u>	Company: <u>same</u>	Company: <u>same</u>	Company: <u>same</u>	Company: <u>same</u>	Company: <u>same</u>														
Address: <u>103 Lovinck St.</u>	Address: <u>same</u>	Address: <u>same</u>	Address: <u>same</u>	Address: <u>same</u>	Address: <u>same</u>	Address: <u>same</u>	Address: <u>same</u>	Address: <u>same</u>	Address: <u>same</u>	Address: <u>same</u>	Address: <u>same</u>														
Phone No: <u>716 335 5476</u>	Phone No: <u>same</u>	Phone No: <u>same</u>	Phone No: <u>same</u>	Phone No: <u>same</u>	Phone No: <u>same</u>	Phone No: <u>same</u>	Phone No: <u>same</u>	Phone No: <u>same</u>	Phone No: <u>same</u>	Phone No: <u>same</u>	Phone No: <u>same</u>														
Contact Person: <u>Amy Hanson</u>	Attention: <u>same</u>	Attention: <u>same</u>	Attention: <u>same</u>	Attention: <u>same</u>	Attention: <u>same</u>	Attention: <u>same</u>	Attention: <u>same</u>	Attention: <u>same</u>	Attention: <u>same</u>	Attention: <u>same</u>	Attention: <u>same</u>														
E-Mail Address: <u>hanson@uro.com</u>	E-Mail Address: <u>same</u>	E-Mail Address: <u>same</u>	E-Mail Address: <u>same</u>	E-Mail Address: <u>same</u>	E-Mail Address: <u>same</u>	E-Mail Address: <u>same</u>	E-Mail Address: <u>same</u>	E-Mail Address: <u>same</u>	E-Mail Address: <u>same</u>	E-Mail Address: <u>same</u>	E-Mail Address: <u>same</u>														
<p>Print Clearly and Legibly. All information must be complete. Samples will NOT be logged in and the turn-around time clock will not begin until any questions by York are resolved.</p>																									
<p>Samples Collected/Authorized By (Signature) <u>Amy Hanson</u></p> <p>Name (printed) <u>AMY HANSON</u></p>																									
<p>Choose Analyses Needed from the Menu Above and Enter Below</p>																									
Sample Identification	Date/Time Sampled	Sample Matrix	Volatiles	Semi-Vols	Metals	Misc. Org.	Full Lists	Misc.	Corrosivity	Reactivity	Ignitability	Flash Point	Sieve Anal.	Heterocyclics	TOX	PCBs	BTU/b	Aquatic Tox.	NYCDEP Sewer	TOC	NYSEDEC Sewer	Asbestos	Other	Container Description(s)	
TWP-01	10/21/16 1030	GW	8260 full TICs	8082 PCB	RCRAB	TPH GRO	PH-Poll.	Corrosivity																	Ambient, VOA, plastic
TWP-05	0900	GW	Site Spec.	8081 PCB	PP13 list	TPH DRG	TCL Orgs	Reactivity																	
TWP-01 DUP	1045	GW	STAR list	815 Herb	TAL	CT EIPH	TAL MeCon	Ignitability																	
EQUIPMENT BLANK	1215	DI water	Nassau Co. Suffolk Co.	CT RCP	CT15 list	NY 310-13	Full TCLP	Flash Point																	
TRIP BLANK	10/21/16	DI water	MTBE	PAH list	TAGM list	TPH 1664	Full App. IX	Sieve Anal.																	
			TCL list	App. IX	Site Spec.	Air TO14A	Part 360 residue	Heterocyclics																	
			TAGM list	CT RCP list	SPL or TCLP	Air TO15	Part 360 residue	TOX																	
			CT RCP list	TCL list	TCLP list	Air STARS	Part 360 residue	BTU/b																	
			Arom. only	NIIEP list	SPL or TCLP	Air VPH	NYCDEP Sewer	Aquatic Tox.																	
			Halog. only	NIIEP list	Chlordane	Air TICs	NYCDEP Sewer	TOC																	
			App. IX list	SPL or TCLP	608 Pest	Methane	NYSEDEC Sewer	Asbestos																	
			8021B list	SPL or TCLP	608 PCB	Helium	TAGM	Silica																	
<p>4°C <input checked="" type="checkbox"/> Frozen <input type="checkbox"/> HCl <input type="checkbox"/> HNO₃ <input type="checkbox"/> H₂SO₄ <input type="checkbox"/> NaOH <input type="checkbox"/></p> <p>Ascorbic Acid <input type="checkbox"/> Other <input type="checkbox"/></p>																									
<p>Preservation: <input checked="" type="checkbox"/> Filtered & unfiltered</p> <p>Check those Applicable: <input type="checkbox"/> Special Instructions</p> <p>Field Filtered <input checked="" type="checkbox"/> Lab to Filter <input type="checkbox"/></p>																									
<p>Comments: <u>TAL Metals: Filtered & unfiltered</u></p>																									
<p>Samples Relinquished By: <u>[Signature]</u> Date/Time: <u>10/21/16</u></p>																									
<p>Samples Relinquished By: <u>[Signature]</u> Date/Time: <u>10/21/16 12:11</u></p>																									
<p>Samples Received By: <u>[Signature]</u> Date/Time: <u>10/21/16 14:05</u></p>																									
<p>Samples Received in LAB by: <u>[Signature]</u> Date/Time: <u>10/21/16 14:05</u></p>																									
<p>Temperature on Receipt: <u>3.9</u> °C</p>																									

HA2-159



Technical Report

prepared for:

LiRo Engineers
690 Delaware Ave.
Buffalo NY, 14209-2202
Attention: Amy Hewson

Report Date: 10/28/2016
Client Project ID: 95th str sewer/water OEGS 15-008-0265
York Project (SDG) No.: 16J0783

CT Cert. No. PH-0723

New Jersey Cert. No. CT-005



New York Cert. No. 10854

PA Cert. No. 68-04440

120 RESEARCH DRIVE

STRATFORD, CT 06615

(203) 325-1371

FAX (203) 357-0166

Report Date: 10/28/2016
Client Project ID: 95th str sewer/water OEGS 15-008-0265
York Project (SDG) No.: 16J0783

LiRo Engineers
690 Delaware Ave.
Buffalo NY, 14209-2202
Attention: Amy Hewson

Purpose and Results

This report contains the analytical data for the sample(s) identified on the attached chain-of-custody received in our laboratory on October 21, 2016 and listed below. The project was identified as your project: **95th str sewer/water OEGS 15-008-0265**.

The analyses were conducted utilizing appropriate EPA, Standard Methods, and ASTM methods as detailed in the data summary tables.

All samples were received in proper condition meeting the customary acceptance requirements for environmental samples except those indicated under the Notes section of this report.

All analyses met the method and laboratory standard operating procedure requirements except as indicated by any data flags, the meaning of which are explained in the attachment to this report, and case narrative if applicable.

The results of the analyses, which are all reported on dry weight basis (soils) unless otherwise noted, are detailed in the following pages.

Please contact Client Services at 203.325.1371 with any questions regarding this report.

<u>York Sample ID</u>	<u>Client Sample ID</u>	<u>Matrix</u>	<u>Date Collected</u>	<u>Date Received</u>
16J0783-01	SB-08-3.0-3.5'	Soil	10/20/2016	10/21/2016
16J0783-02	SB-08-COMP	Soil	10/20/2016	10/21/2016
16J0783-03	SB-03-3.0-3.5'	Soil	10/20/2016	10/21/2016
16J0783-04	SB-03-COMP	Soil	10/20/2016	10/21/2016
16J0783-05	SB-02-0-2.0'	Soil	10/20/2016	10/21/2016
16J0783-06	SB-02-6.5-7.0'	Soil	10/20/2016	10/21/2016
16J0783-07	SB-02-COMP	Soil	10/20/2016	10/21/2016
16J0783-08	SB-04-3.5-4.0'	Soil	10/20/2016	10/21/2016
16J0783-09	SB-04-COMP	Soil	10/20/2016	10/21/2016
16J0783-10	SB-06-3.5-4.0'	Soil	10/20/2016	10/21/2016
16J0783-11	SB-06-COMP	Soil	10/20/2016	10/21/2016
16J0783-12	SB-07-4.5-5.0'	Soil	10/20/2016	10/21/2016
16J0783-13	SB-07-COMP	Soil	10/20/2016	10/21/2016
16J0783-14	SB-05-3.5-4.0'	Soil	10/21/2016	10/21/2016
16J0783-15	SB-05-3.5-4.0' DUP	Soil	10/21/2016	10/21/2016
16J0783-16	SB-05-COMP	Soil	10/20/2016	10/21/2016
16J0783-17	SB-01-3.5-4.0'	Soil	10/21/2016	10/21/2016
16J0783-18	SB-01-COMP	Soil	10/20/2016	10/21/2016

General Notes for York Project (SDG) No.: 16J0783

1. The RLs and MDLs (Reporting Limit and Method Detection Limit respectively) reported are adjusted for any dilution necessary due to the levels of target and/or non-target analytes and matrix interference. The RL(REPORTING LIMIT) is based upon the lowest standard utilized for the calibration where applicable.
2. Samples are retained for a period of thirty days after submittal of report, unless other arrangements are made.
3. York's liability for the above data is limited to the dollar value paid to York for the referenced project.
4. This report shall not be reproduced without the written approval of York Analytical Laboratories, Inc.
5. All samples were received in proper condition for analysis with proper documentation, unless otherwise noted.
6. All analyses conducted met method or Laboratory SOP requirements. See the Qualifiers and/or Narrative sections for further information.
7. It is noted that no analyses reported herein were subcontracted to another laboratory, unless noted in the report.
8. This report reflects results that relate only to the samples submitted on the attached chain-of-custody form(s) received by York.

Approved By:



Date: 10/28/2016

Benjamin Gulizia
Laboratory Director





Sample Information

Client Sample ID: SB-08-3.0-3.5'

York Sample ID: 16J0783-01

York Project (SDG) No.
16J0783

Client Project ID
95th str sewer/water OECS 15-008-0265

Matrix
Soil

Collection Date/Time
October 20, 2016 9:00 am

Date Received
10/21/2016

Volatile Organics, 8260 - Comprehensive

Log-in Notes:

VOA-CONT

Sample Notes:

Sample Prepared by Method: EPA 5035A

CAS No.	Parameter	Result	Flag	Units	Reported to LOD/MDL	LOQ	Dilution	Reference Method	Date/Time Prepared	Date/Time Analyzed	Analyst
630-20-6	1,1,1,2-Tetrachloroethane	ND		mg/kg dry	0.0033	0.0065	1	EPA 8260C Certifications: CTDOH,NELAC-NY10854,NJDEP	10/26/2016 15:30	10/27/2016 00:26	BK
71-55-6	1,1,1-Trichloroethane	ND		mg/kg dry	0.0033	0.0065	1	EPA 8260C Certifications: CTDOH,NELAC-NY10854,NJDEP,PADEP	10/26/2016 15:30	10/27/2016 00:26	BK
79-34-5	1,1,2,2-Tetrachloroethane	ND		mg/kg dry	0.0033	0.0065	1	EPA 8260C Certifications: CTDOH,NELAC-NY10854,NJDEP,PADEP	10/26/2016 15:30	10/27/2016 00:26	BK
76-13-1	1,1,2-Trichloro-1,2,2-trifluoroethane (Freon 113)	ND		mg/kg dry	0.0033	0.0065	1	EPA 8260C Certifications: CTDOH,NELAC-NY10854,NJDEP	10/26/2016 15:30	10/27/2016 00:26	BK
79-00-5	1,1,2-Trichloroethane	ND		mg/kg dry	0.0033	0.0065	1	EPA 8260C Certifications: CTDOH,NELAC-NY10854,NJDEP,PADEP	10/26/2016 15:30	10/27/2016 00:26	BK
75-34-3	1,1-Dichloroethane	ND		mg/kg dry	0.0033	0.0065	1	EPA 8260C Certifications: CTDOH,NELAC-NY10854,NJDEP,PADEP	10/26/2016 15:30	10/27/2016 00:26	BK
5-4	1,1-Dichloroethylene	ND		mg/kg dry	0.0033	0.0065	1	EPA 8260C Certifications: CTDOH,NELAC-NY10854,NJDEP,PADEP	10/26/2016 15:30	10/27/2016 00:26	BK
87-61-6	1,2,3-Trichlorobenzene	ND		mg/kg dry	0.0033	0.0065	1	EPA 8260C Certifications: NELAC-NY10854,NJDEP	10/26/2016 15:30	10/27/2016 00:26	BK
96-18-4	1,2,3-Trichloropropane	ND		mg/kg dry	0.0033	0.0065	1	EPA 8260C Certifications: NELAC-NY10854,NJDEP	10/26/2016 15:30	10/27/2016 00:26	BK
120-82-1	1,2,4-Trichlorobenzene	ND		mg/kg dry	0.0033	0.0065	1	EPA 8260C Certifications: NELAC-NY10854,NJDEP	10/26/2016 15:30	10/27/2016 00:26	BK
95-63-6	1,2,4-Trimethylbenzene	ND		mg/kg dry	0.0033	0.0065	1	EPA 8260C Certifications: CTDOH,NELAC-NY10854,NJDEP	10/26/2016 15:30	10/27/2016 00:26	BK
96-12-8	1,2-Dibromo-3-chloropropane	ND		mg/kg dry	0.0033	0.0065	1	EPA 8260C Certifications: CTDOH,NELAC-NY10854,NJDEP	10/26/2016 15:30	10/27/2016 00:26	BK
106-93-4	1,2-Dibromoethane	ND		mg/kg dry	0.0033	0.0065	1	EPA 8260C Certifications: CTDOH,NELAC-NY10854,NJDEP	10/26/2016 15:30	10/27/2016 00:26	BK
95-50-1	1,2-Dichlorobenzene	ND		mg/kg dry	0.0033	0.0065	1	EPA 8260C Certifications: CTDOH,NELAC-NY10854,NJDEP,PADEP	10/26/2016 15:30	10/27/2016 00:26	BK
107-06-2	1,2-Dichloroethane	ND		mg/kg dry	0.0033	0.0065	1	EPA 8260C Certifications: CTDOH,NELAC-NY10854,NJDEP,PADEP	10/26/2016 15:30	10/27/2016 00:26	BK
78-87-5	1,2-Dichloropropane	ND		mg/kg dry	0.0033	0.0065	1	EPA 8260C Certifications: CTDOH,NELAC-NY10854,NJDEP	10/26/2016 15:30	10/27/2016 00:26	BK
108-67-8	1,3,5-Trimethylbenzene	ND		mg/kg dry	0.0033	0.0065	1	EPA 8260C Certifications: CTDOH,NELAC-NY10854,NJDEP	10/26/2016 15:30	10/27/2016 00:26	BK
541-73-1	1,3-Dichlorobenzene	ND		mg/kg dry	0.0033	0.0065	1	EPA 8260C Certifications: CTDOH,NELAC-NY10854,NJDEP,PADEP	10/26/2016 15:30	10/27/2016 00:26	BK
106-46-7	1,4-Dichlorobenzene	ND		mg/kg dry	0.0033	0.0065	1	EPA 8260C Certifications: CTDOH,NELAC-NY10854,NJDEP,PADEP	10/26/2016 15:30	10/27/2016 00:26	BK
123-91-1	1,4-Dioxane	ND		mg/kg dry	0.065	0.13	1	EPA 8260C Certifications: NELAC-NY10854,NJDEP	10/26/2016 15:30	10/27/2016 00:26	BK
71-3	2-Butanone	ND		mg/kg dry	0.0033	0.0065	1	EPA 8260C Certifications: CTDOH,NELAC-NY10854,NJDEP	10/26/2016 15:30	10/27/2016 00:26	BK

HAZ-163



Sample Information

Client Sample ID: SB-08-3.0-3.5'

York Sample ID: 16J0783-01

York Project (SDG) No.
16J0783

Client Project ID
95th str sewer/water OEGS 15-008-0265

Matrix
Soil

Collection Date/Time
October 20, 2016 9:00 am

Date Received
10/21/2016

Volatile Organics, 8260 - Comprehensive

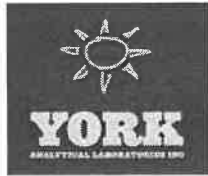
Log-in Notes: VOA-CONT

Sample Notes:

Sample Prepared by Method: EPA 5035A

CAS No.	Parameter	Result	Flag	Units	Reported to LOD/MDL	LOQ	Dilution	Reference Method	Date/Time Prepared	Date/Time Analyzed	Analyst
591-78-6	2-Hexanone	ND		mg/kg dry	0.0033	0.0065	1	EPA 8260C Certifications: CTDOH,NELAC-NY10854,NJDEP	10/26/2016 15:30	10/27/2016 00:26	BK
108-10-1	4-Methyl-2-pentanone	ND		mg/kg dry	0.0033	0.0065	1	EPA 8260C Certifications: CTDOH,NELAC-NY10854,NJDEP	10/26/2016 15:30	10/27/2016 00:26	BK
67-64-1	Acetone	ND		mg/kg dry	0.0065	0.013	1	EPA 8260C Certifications: CTDOH,NELAC-NY10854,NJDEP	10/26/2016 15:30	10/27/2016 00:26	BK
107-02-8	Acrolein	ND		mg/kg dry	0.0065	0.013	1	EPA 8260C Certifications: CTDOH,NELAC-NY10854,NJDEP	10/26/2016 15:30	10/27/2016 00:26	BK
107-13-1	Acrylonitrile	ND		mg/kg dry	0.0033	0.0065	1	EPA 8260C Certifications: CTDOH,NELAC-NY10854,NJDEP	10/26/2016 15:30	10/27/2016 00:26	BK
71-43-2	Benzene	ND		mg/kg dry	0.0033	0.0065	1	EPA 8260C Certifications: CTDOH,NELAC-NY10854,NJDEP,PADEP	10/26/2016 15:30	10/27/2016 00:26	BK
74-97-5	Bromochloromethane	ND		mg/kg dry	0.0033	0.0065	1	EPA 8260C Certifications: NELAC-NY10854,NJDEP	10/26/2016 15:30	10/27/2016 00:26	BK
75-27-4	Bromodichloromethane	ND		mg/kg dry	0.0033	0.0065	1	EPA 8260C Certifications: CTDOH,NELAC-NY10854,NJDEP,PADEP	10/26/2016 15:30	10/27/2016 00:26	BK
75-25-2	Bromoform	ND		mg/kg dry	0.0033	0.0065	1	EPA 8260C Certifications: CTDOH,NELAC-NY10854,NJDEP,PADEP	10/26/2016 15:30	10/27/2016 00:26	BK
74-83-9	Bromomethane	ND		mg/kg dry	0.0033	0.0065	1	EPA 8260C Certifications: CTDOH,NELAC-NY10854,NJDEP,PADEP	10/26/2016 15:30	10/27/2016 00:26	BK
75-15-0	Carbon disulfide	ND		mg/kg dry	0.0033	0.0065	1	EPA 8260C Certifications: CTDOH,NELAC-NY10854,NJDEP	10/26/2016 15:30	10/27/2016 00:26	BK
56-23-5	Carbon tetrachloride	ND		mg/kg dry	0.0033	0.0065	1	EPA 8260C Certifications: CTDOH,NELAC-NY10854,NJDEP,PADEP	10/26/2016 15:30	10/27/2016 00:26	BK
108-90-7	Chlorobenzene	ND		mg/kg dry	0.0033	0.0065	1	EPA 8260C Certifications: CTDOH,NELAC-NY10854,NJDEP,PADEP	10/26/2016 15:30	10/27/2016 00:26	BK
75-00-3	Chloroethane	ND		mg/kg dry	0.0033	0.0065	1	EPA 8260C Certifications: CTDOH,NELAC-NY10854,NJDEP,PADEP	10/26/2016 15:30	10/27/2016 00:26	BK
67-66-3	Chloroform	ND		mg/kg dry	0.0033	0.0065	1	EPA 8260C Certifications: CTDOH,NELAC-NY10854,NJDEP,PADEP	10/26/2016 15:30	10/27/2016 00:26	BK
74-87-3	Chloromethane	ND		mg/kg dry	0.0033	0.0065	1	EPA 8260C Certifications: CTDOH,NELAC-NY10854,NJDEP,PADEP	10/26/2016 15:30	10/27/2016 00:26	BK
156-59-2	cis-1,2-Dichloroethylene	ND		mg/kg dry	0.0033	0.0065	1	EPA 8260C Certifications: CTDOH,NELAC-NY10854,NJDEP	10/26/2016 15:30	10/27/2016 00:26	BK
10061-01-5	cis-1,3-Dichloropropylene	ND		mg/kg dry	0.0033	0.0065	1	EPA 8260C Certifications: CTDOH,NELAC-NY10854,NJDEP,PADEP	10/26/2016 15:30	10/27/2016 00:26	BK
110-82-7	Cyclohexane	ND		mg/kg dry	0.0033	0.0065	1	EPA 8260C Certifications: NELAC-NY10854,NJDEP	10/26/2016 15:30	10/27/2016 00:26	BK
124-48-1	Dibromochloromethane	ND		mg/kg dry	0.0033	0.0065	1	EPA 8260C Certifications: NELAC-NY10854,NJDEP,PADEP	10/26/2016 15:30	10/27/2016 00:26	BK
74-95-3	Dibromomethane	ND		mg/kg dry	0.0033	0.0065	1	EPA 8260C Certifications: NELAC-NY10854,NJDEP	10/26/2016 15:30	10/27/2016 00:26	BK
75-71-8	Dichlorodifluoromethane	ND		mg/kg dry	0.0033	0.0065	1	EPA 8260C Certifications: NELAC-NY10854,NJDEP	10/26/2016 15:30	10/27/2016 00:26	BK

HAZ-164



Sample Information

Client Sample ID: SB-08-3.0-3.5'

York Sample ID: 16J0783-01

York Project (SDG) No.
16J0783

Client Project ID
95th str sewer/water OEGS 15-008-0265

Matrix
Soil

Collection Date/Time
October 20, 2016 9:00 am

Date Received
10/21/2016

Volatile Organics, 8260 - Comprehensive

Log-in Notes: VOA-CONT

Sample Notes:

Sample Prepared by Method: EPA 5035A

CAS No.	Parameter	Result	Flag	Units	Reported to LOD/MDL	LOQ	Dilution	Reference Method	Date/Time Prepared	Date/Time Analyzed	Analyst
100-41-4	Ethyl Benzene	ND		mg/kg dry	0.0033	0.0065	1	EPA 8260C Certifications: CTDOH,NELAC-NY10854,NJDEP,PADEP	10/26/2016 15:30	10/27/2016 00:26	BK
87-68-3	Hexachlorobutadiene	ND		mg/kg dry	0.0033	0.0065	1	EPA 8260C Certifications: NELAC-NY10854,NJDEP	10/26/2016 15:30	10/27/2016 00:26	BK
98-82-8	Isopropylbenzene	ND		mg/kg dry	0.0033	0.0065	1	EPA 8260C Certifications: CTDOH,NELAC-NY10854,NJDEP	10/26/2016 15:30	10/27/2016 00:26	BK
79-20-9	Methyl acetate	ND		mg/kg dry	0.0033	0.0065	1	EPA 8260C Certifications: NELAC-NY10854,NJDEP	10/26/2016 15:30	10/27/2016 00:26	BK
1634-04-4	Methyl tert-butyl ether (MTBE)	ND		mg/kg dry	0.0033	0.0065	1	EPA 8260C Certifications: CTDOH,NELAC-NY10854,NJDEP	10/26/2016 15:30	10/27/2016 00:26	BK
108-87-2	Methylcyclohexane	ND		mg/kg dry	0.0033	0.0065	1	EPA 8260C Certifications: NELAC-NY10854,NJDEP	10/26/2016 15:30	10/27/2016 00:26	BK
75-09-2	Methylene chloride	ND		mg/kg dry	0.0065	0.013	1	EPA 8260C Certifications: CTDOH,NELAC-NY10854,NJDEP,PADEP	10/26/2016 15:30	10/27/2016 00:26	BK
4-51-8	n-Butylbenzene	ND		mg/kg dry	0.0033	0.0065	1	EPA 8260C Certifications: CTDOH,NELAC-NY10854,NJDEP	10/26/2016 15:30	10/27/2016 00:26	BK
103-65-1	n-Propylbenzene	ND		mg/kg dry	0.0033	0.0065	1	EPA 8260C Certifications: CTDOH,NELAC-NY10854,NJDEP	10/26/2016 15:30	10/27/2016 00:26	BK
95-47-6	o-Xylene	ND		mg/kg dry	0.0033	0.0065	1	EPA 8260C Certifications: CTDOH,NELAC-NY10854	10/26/2016 15:30	10/27/2016 00:26	BK
179601-23-1	p- & m- Xylenes	ND		mg/kg dry	0.0065	0.013	1	EPA 8260C Certifications: CTDOH,NELAC-NY10854	10/26/2016 15:30	10/27/2016 00:26	BK
99-87-6	p-Isopropyltoluene	ND		mg/kg dry	0.0033	0.0065	1	EPA 8260C Certifications: CTDOH,NELAC-NY10854,NJDEP	10/26/2016 15:30	10/27/2016 00:26	BK
135-98-8	sec-Butylbenzene	ND		mg/kg dry	0.0033	0.0065	1	EPA 8260C Certifications: CTDOH,NELAC-NY10854,NJDEP	10/26/2016 15:30	10/27/2016 00:26	BK
100-42-5	Styrene	ND		mg/kg dry	0.0033	0.0065	1	EPA 8260C Certifications: CTDOH,NELAC-NY10854,NJDEP	10/26/2016 15:30	10/27/2016 00:26	BK
75-65-0	tert-Butyl alcohol (TBA)	ND		mg/kg dry	0.0033	0.0065	1	EPA 8260C Certifications: NELAC-NY10854,NJDEP	10/26/2016 15:30	10/27/2016 00:26	BK
98-06-6	tert-Butylbenzene	ND		mg/kg dry	0.0033	0.0065	1	EPA 8260C Certifications: CTDOH,NELAC-NY10854,NJDEP	10/26/2016 15:30	10/27/2016 00:26	BK
127-18-4	Tetrachloroethylene	ND		mg/kg dry	0.0033	0.0065	1	EPA 8260C Certifications: CTDOH,NELAC-NY10854,NJDEP,PADEP	10/26/2016 15:30	10/27/2016 00:26	BK
108-88-3	Toluene	ND		mg/kg dry	0.0033	0.0065	1	EPA 8260C Certifications: CTDOH,NELAC-NY10854,NJDEP,PADEP	10/26/2016 15:30	10/27/2016 00:26	BK
156-60-5	trans-1,2-Dichloroethylene	ND		mg/kg dry	0.0033	0.0065	1	EPA 8260C Certifications: CTDOH,NELAC-NY10854,NJDEP	10/26/2016 15:30	10/27/2016 00:26	BK
10061-02-6	trans-1,3-Dichloropropylene	ND		mg/kg dry	0.0033	0.0065	1	EPA 8260C Certifications: CTDOH,NELAC-NY10854,NJDEP,PADEP	10/26/2016 15:30	10/27/2016 00:26	BK
79-01-6	Trichloroethylene	ND		mg/kg dry	0.0033	0.0065	1	EPA 8260C Certifications: CTDOH,NELAC-NY10854,NJDEP,PADEP	10/26/2016 15:30	10/27/2016 00:26	BK
75-69-4	Trichlorofluoromethane	ND		mg/kg dry	0.0033	0.0065	1	EPA 8260C Certifications: CTDOH,NELAC-NY10854,NJDEP,PADEP	10/26/2016 15:30	10/27/2016 00:26	BK

HAZ-165



Sample Information

Client Sample ID: SB-08-3.0-3.5'

York Sample ID: 16J0783-01

York Project (SDG) No.
16J0783

Client Project ID
95th str sewer/water OEGS 15-008-0265

Matrix
Soil

Collection Date/Time
October 20, 2016 9:00 am

Date Received
10/21/2016

Volatiles Organics, 8260 - Comprehensive

Log-in Notes: VOA-CONT

Sample Notes:

Sample Prepared by Method: EPA 5035A

CAS No.	Parameter	Result	Flag	Units	Reported to LOD/MDL	LOQ	Dilution	Reference Method	Date/Time Prepared	Date/Time Analyzed	Analyst
75-01-4	Vinyl Chloride	ND		mg/kg dry	0.0033	0.0065	1	EPA 8260C Certifications: CTDOH,NELAC-NY10854,NJDEP,PADEP	10/26/2016 15:30	10/27/2016 00:26	BK
1330-20-7	Xylenes, Total	ND		mg/kg dry	0.0098	0.020	1	EPA 8260C Certifications: CTDOH,NELAC-NY10854,NJDEP,PADEP	10/26/2016 15:30	10/27/2016 00:26	BK
	Surrogate Recoveries	Result			Acceptance Range						
17060-07-0	Surrogate: 1,2-Dichloroethane-d4	103 %			77-125						
2037-26-5	Surrogate: Toluene-d8	99.6 %			85-120						
460-00-4	Surrogate: p-Bromofluorobenzene	88.7 %			76-130						

Semi-Volatiles, 8270 - Comprehensive

Log-in Notes: VOA-CONT

Sample Notes:

Sample Prepared by Method: EPA 3550C

CAS No.	Parameter	Result	Flag	Units	Reported to LOD/MDL	LOQ	Dilution	Reference Method	Date/Time Prepared	Date/Time Analyzed	Analys
92-52-4	1,1'-Biphenyl	ND		mg/kg dry	0.0547	0.109	2	EPA 8270D Certifications: NELAC-NY10854,NJDEP,PADEP	10/25/2016 14:08	10/26/2016 10:24	KH
95-94-3	1,2,4,5-Tetrachlorobenzene	ND		mg/kg dry	0.109	0.218	2	EPA 8270D Certifications: NELAC-NY10854,NJDEP,PADEP	10/25/2016 14:08	10/26/2016 10:24	KH
120-82-1	1,2,4-Trichlorobenzene	ND		mg/kg dry	0.0547	0.109	2	EPA 8270D Certifications: CTDOH,NELAC-NY10854,NJDEP,PADEP	10/25/2016 14:08	10/26/2016 10:24	KH
95-50-1	1,2-Dichlorobenzene	ND		mg/kg dry	0.0547	0.109	2	EPA 8270D Certifications: NELAC-NY10854,PADEP	10/25/2016 14:08	10/26/2016 10:24	KH
122-66-7	1,2-Diphenylhydrazine (as Azobenzene)	ND		mg/kg dry	0.0547	0.109	2	EPA 8270D Certifications: NELAC-NY10854,NJDEP,PADEP	10/25/2016 14:08	10/26/2016 10:24	KH
541-73-1	1,3-Dichlorobenzene	ND		mg/kg dry	0.0547	0.109	2	EPA 8270D Certifications: NELAC-NY10854,PADEP	10/25/2016 14:08	10/26/2016 10:24	KH
106-46-7	1,4-Dichlorobenzene	ND		mg/kg dry	0.0547	0.109	2	EPA 8270D Certifications: NELAC-NY10854,PADEP	10/25/2016 14:08	10/26/2016 10:24	KH
58-90-2	2,3,4,6-Tetrachlorophenol	ND		mg/kg dry	0.109	0.218	2	EPA 8270D Certifications: NELAC-NY10854,NJDEP,PADEP	10/25/2016 14:08	10/26/2016 10:24	KH
95-95-4	2,4,5-Trichlorophenol	ND		mg/kg dry	0.0547	0.109	2	EPA 8270D Certifications: CTDOH,NELAC-NY10854,NJDEP,PADEP	10/25/2016 14:08	10/26/2016 10:24	KH
88-06-2	2,4,6-Trichlorophenol	ND		mg/kg dry	0.0547	0.109	2	EPA 8270D Certifications: CTDOH,NELAC-NY10854,NJDEP,PADEP	10/25/2016 14:08	10/26/2016 10:24	KH
120-83-2	2,4-Dichlorophenol	ND		mg/kg dry	0.0547	0.109	2	EPA 8270D Certifications: CTDOH,NELAC-NY10854,NJDEP,PADEP	10/25/2016 14:08	10/26/2016 10:24	KH
105-67-9	2,4-Dimethylphenol	ND		mg/kg dry	0.0547	0.109	2	EPA 8270D Certifications: CTDOH,NELAC-NY10854,NJDEP,PADEP	10/25/2016 14:08	10/26/2016 10:24	KH
51-28-5	2,4-Dinitrophenol	ND		mg/kg dry	0.109	0.218	2	EPA 8270D Certifications: CTDOH,NELAC-NY10854,NJDEP,PADEP	10/25/2016 14:08	10/26/2016 10:24	KH
121-14-2	2,4-Dinitrotoluene	ND		mg/kg dry	0.0547	0.109	2	EPA 8270D Certifications: CTDOH,NELAC-NY10854,NJDEP,PADEP	10/25/2016 14:08	10/26/2016 10:24	KH
606-20-2	2,6-Dinitrotoluene	ND		mg/kg dry	0.0547	0.109	2	EPA 8270D Certifications: CTDOH,NELAC-NY10854,NJDEP,PADEP	10/25/2016 14:08	10/26/2016 10:24	KH

HAZ-166



Sample Information

Client Sample ID: SB-08-3.0-3.5'

York Sample ID: 16J0783-01

York Project (SDG) No.
16J0783

Client Project ID
95th str sewer/water OEGS 15-008-0265

Matrix
Soil

Collection Date/Time
October 20, 2016 9:00 am

Date Received
10/21/2016

Semi-Volatiles, 8270 - Comprehensive

Log-in Notes: VOA-CONT Sample Notes:

Sample Prepared by Method: EPA 3550C

CAS No.	Parameter	Result	Flag	Units	Reported to LOD/MDL	LOQ	Dilution	Reference Method	Date/Time Prepared	Date/Time Analyzed	Analyst
91-58-7	2-Chloronaphthalene	ND		mg/kg dry	0.0547	0.109	2	EPA 8270D Certifications: CTDOH,NELAC-NY10854,NJDEP,PADEP	10/25/2016 14:08	10/26/2016 10:24	KH
95-57-8	2-Chlorophenol	ND		mg/kg dry	0.0547	0.109	2	EPA 8270D Certifications: CTDOH,NELAC-NY10854,NJDEP,PADEP	10/25/2016 14:08	10/26/2016 10:24	KH
91-57-6	2-Methylnaphthalene	ND		mg/kg dry	0.0547	0.109	2	EPA 8270D Certifications: CTDOH,NELAC-NY10854,NJDEP,PADEP	10/25/2016 14:08	10/26/2016 10:24	KH
95-48-7	2-Methylphenol	ND		mg/kg dry	0.0547	0.109	2	EPA 8270D Certifications: CTDOH,NELAC-NY10854,NJDEP,PADEP	10/25/2016 14:08	10/26/2016 10:24	KH
88-74-4	2-Nitroaniline	ND		mg/kg dry	0.109	0.218	2	EPA 8270D Certifications: CTDOH,NELAC-NY10854,NJDEP,PADEP	10/25/2016 14:08	10/26/2016 10:24	KH
88-75-5	2-Nitrophenol	ND		mg/kg dry	0.0547	0.109	2	EPA 8270D Certifications: CTDOH,NELAC-NY10854,NJDEP,PADEP	10/25/2016 14:08	10/26/2016 10:24	KH
65794-96-9	3- & 4-Methylphenols	ND		mg/kg dry	0.0547	0.109	2	EPA 8270D Certifications: CTDOH,NELAC-NY10854,NJDEP,PADEP	10/25/2016 14:08	10/26/2016 10:24	KH
94-1	3,3'-Dichlorobenzidine	ND		mg/kg dry	0.0547	0.109	2	EPA 8270D Certifications: NELAC-NY10854,NJDEP,PADEP	10/25/2016 14:08	10/26/2016 10:24	KH
99-09-2	3-Nitroaniline	ND		mg/kg dry	0.109	0.218	2	EPA 8270D Certifications: CTDOH,NELAC-NY10854,NJDEP,PADEP	10/25/2016 14:08	10/26/2016 10:24	KH
534-52-1	4,6-Dinitro-2-methylphenol	ND		mg/kg dry	0.109	0.218	2	EPA 8270D Certifications: CTDOH,NELAC-NY10854,NJDEP,PADEP	10/25/2016 14:08	10/26/2016 10:24	KH
101-55-3	4-Bromophenyl phenyl ether	ND		mg/kg dry	0.0547	0.109	2	EPA 8270D Certifications: CTDOH,NELAC-NY10854,NJDEP,PADEP	10/25/2016 14:08	10/26/2016 10:24	KH
59-50-7	4-Chloro-3-methylphenol	ND		mg/kg dry	0.0547	0.109	2	EPA 8270D Certifications: CTDOH,NELAC-NY10854,NJDEP,PADEP	10/25/2016 14:08	10/26/2016 10:24	KH
106-47-8	4-Chloroaniline	ND		mg/kg dry	0.0547	0.109	2	EPA 8270D Certifications: CTDOH,NELAC-NY10854,NJDEP,PADEP	10/25/2016 14:08	10/26/2016 10:24	KH
7005-72-3	4-Chlorophenyl phenyl ether	ND		mg/kg dry	0.0547	0.109	2	EPA 8270D Certifications: CTDOH,NELAC-NY10854,NJDEP,PADEP	10/25/2016 14:08	10/26/2016 10:24	KH
100-01-6	4-Nitroaniline	ND		mg/kg dry	0.109	0.218	2	EPA 8270D Certifications: CTDOH,NELAC-NY10854,NJDEP,PADEP	10/25/2016 14:08	10/26/2016 10:24	KH
100-02-7	4-Nitrophenol	ND		mg/kg dry	0.109	0.218	2	EPA 8270D Certifications: CTDOH,NELAC-NY10854,NJDEP,PADEP	10/25/2016 14:08	10/26/2016 10:24	KH
83-32-9	Acenaphthene	ND		mg/kg dry	0.0547	0.109	2	EPA 8270D Certifications: CTDOH,NELAC-NY10854,NJDEP,PADEP	10/25/2016 14:08	10/26/2016 10:24	KH
208-96-8	Acenaphthylene	ND		mg/kg dry	0.0547	0.109	2	EPA 8270D Certifications: CTDOH,NELAC-NY10854,NJDEP,PADEP	10/25/2016 14:08	10/26/2016 10:24	KH
98-86-2	Acetophenone	ND		mg/kg dry	0.0547	0.109	2	EPA 8270D Certifications: NELAC-NY10854,NJDEP,PADEP	10/25/2016 14:08	10/26/2016 10:24	KH
62-53-3	Aniline	ND		mg/kg dry	0.219	0.437	2	EPA 8270D Certifications: NELAC-NY10854,NJDEP,PADEP	10/25/2016 14:08	10/26/2016 10:24	KH
170-12-7	Anthracene	ND		mg/kg dry	0.0547	0.109	2	EPA 8270D Certifications: CTDOH,NELAC-NY10854,NJDEP,PADEP	10/25/2016 14:08	10/26/2016 10:24	KH
132-24-9	Atrazine	ND		mg/kg dry	0.0547	0.109	2	EPA 8270D Certifications: NELAC-NY10854,NJDEP,PADEP	10/25/2016 14:08	10/26/2016 10:24	KH

HA2-167



Sample Information

Client Sample ID: SB-08-3.0-3.5'

York Sample ID: 16J0783-01

York Project (SDG) No.
16J0783

Client Project ID
95th str sewer/water OEGS 15-008-0265

Matrix
Soil

Collection Date/Time
October 20, 2016 9:00 am

Date Received
10/21/2016

Semi-Volatiles, 8270 - Comprehensive

Log-in Notes: VOA-CONT **Sample Notes:**

Sample Prepared by Method: EPA 3550C

CAS No.	Parameter	Result	Flag	Units	Reported to LOD/MDL	LOQ	Dilution	Reference Method	Date/Time Prepared	Date/Time Analyzed	Analyst
100-52-7	Benzaldehyde	ND		mg/kg dry	0.0547	0.109	2	EPA 8270D Certifications: NELAC-NY10854,NJDEP,PADEP	10/25/2016 14:08	10/26/2016 10:24	KH
92-87-5	Benzidine	ND		mg/kg dry	0.219	0.437	2	EPA 8270D Certifications: CTDOH,NELAC-NY10854,PADEP	10/25/2016 14:08	10/26/2016 10:24	KH
56-55-3	Benzo(a)anthracene	ND		mg/kg dry	0.0547	0.109	2	EPA 8270D Certifications: CTDOH,NELAC-NY10854,NJDEP,PADEP	10/25/2016 14:08	10/26/2016 10:24	KH
50-32-8	Benzo(a)pyrene	ND		mg/kg dry	0.0547	0.109	2	EPA 8270D Certifications: CTDOH,NELAC-NY10854,NJDEP,PADEP	10/25/2016 14:08	10/26/2016 10:24	KH
205-99-2	Benzo(b)fluoranthene	ND		mg/kg dry	0.0547	0.109	2	EPA 8270D Certifications: CTDOH,NELAC-NY10854,NJDEP,PADEP	10/25/2016 14:08	10/26/2016 10:24	KH
191-24-2	Benzo(g,h,i)perylene	ND		mg/kg dry	0.0547	0.109	2	EPA 8270D Certifications: CTDOH,NELAC-NY10854,NJDEP,PADEP	10/25/2016 14:08	10/26/2016 10:24	KH
207-08-9	Benzo(k)fluoranthene	ND		mg/kg dry	0.0547	0.109	2	EPA 8270D Certifications: CTDOH,NELAC-NY10854,NJDEP,PADEP	10/25/2016 14:08	10/26/2016 10:24	KH
65-85-0	Benzoic acid	ND		mg/kg dry	0.0547	0.109	2	EPA 8270D Certifications: NELAC-NY10854,NJDEP,PADEP	10/25/2016 14:08	10/26/2016 10:24	KH
100-51-6	Benzyl alcohol	ND		mg/kg dry	0.0547	0.109	2	EPA 8270D Certifications: NELAC-NY10854,NJDEP,PADEP	10/25/2016 14:08	10/26/2016 10:24	KH
85-68-7	Benzyl butyl phthalate	ND		mg/kg dry	0.0547	0.109	2	EPA 8270D Certifications: CTDOH,NELAC-NY10854,NJDEP,PADEP	10/25/2016 14:08	10/26/2016 10:24	KH
111-91-1	Bis(2-chloroethoxy)methane	ND		mg/kg dry	0.0547	0.109	2	EPA 8270D Certifications: CTDOH,NELAC-NY10854,NJDEP,PADEP	10/25/2016 14:08	10/26/2016 10:24	KH
111-44-4	Bis(2-chloroethyl)ether	ND		mg/kg dry	0.0547	0.109	2	EPA 8270D Certifications: CTDOH,NELAC-NY10854,NJDEP,PADEP	10/25/2016 14:08	10/26/2016 10:24	KH
108-60-1	Bis(2-chloroisopropyl)ether	ND		mg/kg dry	0.0547	0.109	2	EPA 8270D Certifications: CTDOH,NELAC-NY10854,NJDEP,PADEP	10/25/2016 14:08	10/26/2016 10:24	KH
117-81-7	Bis(2-ethylhexyl)phthalate	ND		mg/kg dry	0.0547	0.109	2	EPA 8270D Certifications: CTDOH,NELAC-NY10854,NJDEP,PADEP	10/25/2016 14:08	10/26/2016 10:24	KH
105-60-2	Caprolactam	ND		mg/kg dry	0.109	0.218	2	EPA 8270D Certifications: NELAC-NY10854,NJDEP,PADEP	10/25/2016 14:08	10/26/2016 10:24	KH
86-74-8	Carbazole	ND		mg/kg dry	0.0547	0.109	2	EPA 8270D Certifications: CTDOH,NELAC-NY10854,NJDEP,PADEP	10/25/2016 14:08	10/26/2016 10:24	KH
218-01-9	Chrysene	ND		mg/kg dry	0.0547	0.109	2	EPA 8270D Certifications: CTDOH,NELAC-NY10854,NJDEP,PADEP	10/25/2016 14:08	10/26/2016 10:24	KH
53-70-3	Dibenzo(a,h)anthracene	ND		mg/kg dry	0.0547	0.109	2	EPA 8270D Certifications: CTDOH,NELAC-NY10854,NJDEP,PADEP	10/25/2016 14:08	10/26/2016 10:24	KH
132-64-9	Dibenzofuran	ND		mg/kg dry	0.0547	0.109	2	EPA 8270D Certifications: CTDOH,NELAC-NY10854,NJDEP,PADEP	10/25/2016 14:08	10/26/2016 10:24	KH
84-66-2	Diethyl phthalate	ND		mg/kg dry	0.0547	0.109	2	EPA 8270D Certifications: CTDOH,NELAC-NY10854,NJDEP,PADEP	10/25/2016 14:08	10/26/2016 10:24	KH
131-11-3	Dimethyl phthalate	ND		mg/kg dry	0.0547	0.109	2	EPA 8270D Certifications: CTDOH,NELAC-NY10854,NJDEP,PADEP	10/25/2016 14:08	10/26/2016 10:24	KH
84-74-2	Di-n-butyl phthalate	ND		mg/kg dry	0.0547	0.109	2	EPA 8270D Certifications: CTDOH,NELAC-NY10854,NJDEP,PADEP	10/25/2016 14:08	10/26/2016 10:24	KH

HAZ-168



Sample Information

Client Sample ID: SB-08-3.0-3.5'

York Sample ID: 16J0783-01

York Project (SDG) No.
16J0783

Client Project ID
95th str sewer/water OEGS 15-008-0265

Matrix
Soil

Collection Date/Time
October 20, 2016 9:00 am

Date Received
10/21/2016

Semi-Volatiles, 8270 - Comprehensive

Log-in Notes: VOA-CONT

Sample Notes:

Sample Prepared by Method: EPA 3550C

CAS No.	Parameter	Result	Flag	Units	Reported to LOD/MDL	LOQ	Dilution	Reference Method	Date/Time Prepared	Date/Time Analyzed	Analyst
117-84-0	Di-n-octyl phthalate	ND		mg/kg dry	0.0547	0.109	2	EPA 8270D Certifications: CTDOH,NELAC-NY10854,NJDEP,PADEP	10/25/2016 14:08	10/26/2016 10:24	KH
206-44-0	Fluoranthene	ND		mg/kg dry	0.0547	0.109	2	EPA 8270D Certifications: CTDOH,NELAC-NY10854,NJDEP,PADEP	10/25/2016 14:08	10/26/2016 10:24	KH
86-73-7	Fluorene	ND		mg/kg dry	0.0547	0.109	2	EPA 8270D Certifications: NELAC-NY10854,NJDEP,PADEP	10/25/2016 14:08	10/26/2016 10:24	KH
118-74-1	Hexachlorobenzene	ND		mg/kg dry	0.0547	0.109	2	EPA 8270D Certifications: CTDOH,NELAC-NY10854,NJDEP,PADEP	10/25/2016 14:08	10/26/2016 10:24	KH
87-68-3	Hexachlorobutadiene	ND		mg/kg dry	0.0547	0.109	2	EPA 8270D Certifications: CTDOH,NELAC-NY10854,NJDEP,PADEP	10/25/2016 14:08	10/26/2016 10:24	KH
77-47-4	Hexachlorocyclopentadiene	ND		mg/kg dry	0.0547	0.109	2	EPA 8270D Certifications: CTDOH,NELAC-NY10854,NJDEP,PADEP	10/25/2016 14:08	10/26/2016 10:24	KH
67-72-1	Hexachloroethane	ND		mg/kg dry	0.0547	0.109	2	EPA 8270D Certifications: CTDOH,NELAC-NY10854,NJDEP,PADEP	10/25/2016 14:08	10/26/2016 10:24	KH
39-5	Indeno(1,2,3-cd)pyrene	ND		mg/kg dry	0.0547	0.109	2	EPA 8270D Certifications: CTDOH,NELAC-NY10854,NJDEP,PADEP	10/25/2016 14:08	10/26/2016 10:24	KH
78-59-1	Isophorone	ND		mg/kg dry	0.0547	0.109	2	EPA 8270D Certifications: CTDOH,NELAC-NY10854,NJDEP,PADEP	10/25/2016 14:08	10/26/2016 10:24	KH
91-20-3	Naphthalene	ND		mg/kg dry	0.0547	0.109	2	EPA 8270D Certifications: CTDOH,NELAC-NY10854,NJDEP,PADEP	10/25/2016 14:08	10/26/2016 10:24	KH
98-95-3	Nitrobenzene	ND		mg/kg dry	0.0547	0.109	2	EPA 8270D Certifications: CTDOH,NELAC-NY10854,NJDEP,PADEP	10/25/2016 14:08	10/26/2016 10:24	KH
62-75-9	N-Nitrosodimethylamine	ND		mg/kg dry	0.0547	0.109	2	EPA 8270D Certifications: CTDOH,NELAC-NY10854,NJDEP,PADEP	10/25/2016 14:08	10/26/2016 10:24	KH
621-64-7	N-nitroso-di-n-propylamine	ND		mg/kg dry	0.0547	0.109	2	EPA 8270D Certifications: CTDOH,NELAC-NY10854,NJDEP,PADEP	10/25/2016 14:08	10/26/2016 10:24	KH
86-30-6	N-Nitrosodiphenylamine	ND		mg/kg dry	0.0547	0.109	2	EPA 8270D Certifications: CTDOH,NELAC-NY10854,NJDEP,PADEP	10/25/2016 14:08	10/26/2016 10:24	KH
87-86-5	Pentachlorophenol	ND		mg/kg dry	0.0547	0.109	2	EPA 8270D Certifications: CTDOH,NELAC-NY10854,NJDEP,PADEP	10/25/2016 14:08	10/26/2016 10:24	KH
85-01-8	Phenanthrene	ND		mg/kg dry	0.0547	0.109	2	EPA 8270D Certifications: CTDOH,NELAC-NY10854,NJDEP,PADEP	10/25/2016 14:08	10/26/2016 10:24	KH
108-95-2	Phenol	ND		mg/kg dry	0.0547	0.109	2	EPA 8270D Certifications: CTDOH,NELAC-NY10854,NJDEP,PADEP	10/25/2016 14:08	10/26/2016 10:24	KH
129-00-0	Pyrene	ND		mg/kg dry	0.0547	0.109	2	EPA 8270D Certifications: CTDOH,NELAC-NY10854,NJDEP,PADEP	10/25/2016 14:08	10/26/2016 10:24	KH

	Surrogate Recoveries	Result	Acceptance Range
367-12-4	Surrogate: 2-Fluorophenol	64.3 %	20-108
4165-62-2	Surrogate: Phenol-d5	59.5 %	23-114
4165-60-0	Surrogate: Nitrobenzene-d5	49.7 %	22-108
50-8	Surrogate: 2-Fluorobiphenyl	57.2 %	21-113
59-6	Surrogate: 2,4,6-Tribromophenol	67.8 %	19-110
1718-51-0	Surrogate: Terphenyl-d14	50.3 %	24-116

HAZ-169



Sample Information

Client Sample ID: SB-08-3.0-3.5'

York Sample ID: 16J0783-01

York Project (SDG) No.
16J0783

Client Project ID
95th str sewer/water OEGS 15-008-0265

Matrix
Soil

Collection Date/Time
October 20, 2016 9:00 am

Date Received
10/21/2016

Pesticides, 8081 target list

Log-in Notes: VOA-CONT **Sample Notes:**

Sample Prepared by Method: EPA 3550C

CAS No.	Parameter	Result	Flag	Units	LOD/MDL	Reported to LOQ	Dilution	Reference Method	Date/Time Prepared	Date/Time Analyzed	Analyst
72-54-8	4,4'-DDD	ND		mg/kg dry	0.00216	0.00216	5	EPA 8081B Certifications: CTDOH,NELAC-NY10854,NJDEP,PADEP	10/24/2016 07:34	10/24/2016 18:55	AMC
72-55-9	4,4'-DDE	ND		mg/kg dry	0.00216	0.00216	5	EPA 8081B Certifications: CTDOH,NELAC-NY10854,NJDEP,PADEP	10/24/2016 07:34	10/24/2016 18:55	AMC
50-29-3	4,4'-DDT	ND		mg/kg dry	0.00216	0.00216	5	EPA 8081B Certifications: CTDOH,NELAC-NY10854,NJDEP,PADEP	10/24/2016 07:34	10/24/2016 18:55	AMC
309-00-2	Aldrin	ND		mg/kg dry	0.00216	0.00216	5	EPA 8081B Certifications: CTDOH,NELAC-NY10854,NJDEP,PADEP	10/24/2016 07:34	10/24/2016 18:55	AMC
319-84-6	alpha-BHC	ND		mg/kg dry	0.00216	0.00216	5	EPA 8081B Certifications: CTDOH,NELAC-NY10854,NJDEP,PADEP	10/24/2016 07:34	10/24/2016 18:55	AMC
5103-71-9	alpha-Chlordane	ND		mg/kg dry	0.00216	0.00216	5	EPA 8081B Certifications: NELAC-NY10854,NJDEP	10/24/2016 07:34	10/24/2016 18:55	AMC
319-85-7	beta-BHC	ND		mg/kg dry	0.00216	0.00216	5	EPA 8081B Certifications: CTDOH,NELAC-NY10854,NJDEP,PADEP	10/24/2016 07:34	10/24/2016 18:55	AMC
57-74-9	Chlordane, total	ND		mg/kg dry	0.0432	0.0432	5	EPA 8081B Certifications: CTDOH,NELAC-NY10854,NJDEP,PADEP	10/24/2016 07:34	10/24/2016 18:55	AMC
319-86-8	delta-BHC	ND		mg/kg dry	0.00216	0.00216	5	EPA 8081B Certifications: CTDOH,NELAC-NY10854,NJDEP,PADEP	10/24/2016 07:34	10/24/2016 18:55	AMC
60-57-1	Dieldrin	ND		mg/kg dry	0.00216	0.00216	5	EPA 8081B Certifications: CTDOH,NELAC-NY10854,NJDEP,PADEP	10/24/2016 07:34	10/24/2016 18:55	AMC
959-98-8	Endosulfan I	ND		mg/kg dry	0.00216	0.00216	5	EPA 8081B Certifications: CTDOH,NELAC-NY10854,NJDEP,PADEP	10/24/2016 07:34	10/24/2016 18:55	AMC
33213-65-9	Endosulfan II	ND		mg/kg dry	0.00216	0.00216	5	EPA 8081B Certifications: CTDOH,NELAC-NY10854,NJDEP,PADEP	10/24/2016 07:34	10/24/2016 18:55	AMC
1031-07-8	Endosulfan sulfate	ND		mg/kg dry	0.00216	0.00216	5	EPA 8081B Certifications: CTDOH,NELAC-NY10854,NJDEP,PADEP	10/24/2016 07:34	10/24/2016 18:55	AMC
72-20-8	Endrin	ND		mg/kg dry	0.00216	0.00216	5	EPA 8081B Certifications: CTDOH,NELAC-NY10854,NJDEP,PADEP	10/24/2016 07:34	10/24/2016 18:55	AMC
7421-93-4	Endrin aldehyde	ND		mg/kg dry	0.00216	0.00216	5	EPA 8081B Certifications: CTDOH,NELAC-NY10854,NJDEP,PADEP	10/24/2016 07:34	10/24/2016 18:55	AMC
53494-70-5	Endrin ketone	ND		mg/kg dry	0.00216	0.00216	5	EPA 8081B Certifications: CTDOH,NELAC-NY10854,NJDEP,PADEP	10/24/2016 07:34	10/24/2016 18:55	AMC
58-89-9	gamma-BHC (Lindane)	ND		mg/kg dry	0.00216	0.00216	5	EPA 8081B Certifications: CTDOH,NELAC-NY10854,NJDEP,PADEP	10/24/2016 07:34	10/24/2016 18:55	AMC
5566-34-7	gamma-Chlordane	ND		mg/kg dry	0.00216	0.00216	5	EPA 8081B Certifications: NELAC-NY10854,NJDEP	10/24/2016 07:34	10/24/2016 18:55	AMC
76-44-8	Heptachlor	ND		mg/kg dry	0.00216	0.00216	5	EPA 8081B Certifications: CTDOH,NELAC-NY10854,NJDEP,PADEP	10/24/2016 07:34	10/24/2016 18:55	AMC
1024-57-3	Heptachlor epoxide	ND		mg/kg dry	0.00216	0.00216	5	EPA 8081B Certifications: CTDOH,NELAC-NY10854,NJDEP,PADEP	10/24/2016 07:34	10/24/2016 18:55	AMC
72-43-5	Methoxychlor	ND		mg/kg dry	0.0108	0.0108	5	EPA 8081B Certifications: CTDOH,NELAC-NY10854,NJDEP,PADEP	10/24/2016 07:34	10/24/2016 18:55	AMC

HAZ-170



Sample Information

Client Sample ID: SB-08-3.0-3.5'

York Sample ID: 16J0783-01

York Project (SDG) No.
16J0783

Client Project ID
95th str sewer/water OEGS 15-008-0265

Matrix
Soil

Collection Date/Time
October 20, 2016 9:00 am

Date Received
10/21/2016

Pesticides, 8081 target list

Log-in Notes: VOA-CONT **Sample Notes:**

Sample Prepared by Method: EPA 3550C

CAS No.	Parameter	Result	Flag	Units	LOD/MDL	Reported to LOQ	Dilution	Reference Method	Date/Time Prepared	Date/Time Analyzed	Analyst
8001-35-2	Toxaphene	ND		mg/kg dry	0.109	0.109	5	EPA 8081B Certifications: CTDOH,NELAC-NY10854,NJDEP,PADEP	10/24/2016 07:34	10/24/2016 18:55	AMC
Surrogate Recoveries		Result	Acceptance Range								
2051-24-3	Surrogate: Decachlorobiphenyl	118 %	30-150								
877-09-8	Surrogate: Tetrachloro-m-xylene	46.9 %	30-150								

Polychlorinated Biphenyls (PCB)

Log-in Notes: VOA-CONT **Sample Notes:**

Sample Prepared by Method: EPA 3550C

CAS No.	Parameter	Result	Flag	Units	LOD/MDL	Reported to LOQ	Dilution	Reference Method	Date/Time Prepared	Date/Time Analyzed	Analyst
12674-11-2	Aroclor 1016	ND		mg/kg dry	0.0218	0.0218	1	EPA 8082A Certifications: NELAC-NY10854,CTDOH,NJDEP,PADEP	10/24/2016 07:34	10/24/2016 19:41	AMC
104-28-2	Aroclor 1221	ND		mg/kg dry	0.0218	0.0218	1	EPA 8082A Certifications: NELAC-NY10854,CTDOH,NJDEP,PADEP	10/24/2016 07:34	10/24/2016 19:41	AMC
11141-16-5	Aroclor 1232	ND		mg/kg dry	0.0218	0.0218	1	EPA 8082A Certifications: NELAC-NY10854,CTDOH,NJDEP,PADEP	10/24/2016 07:34	10/24/2016 19:41	AMC
53469-21-9	Aroclor 1242	ND		mg/kg dry	0.0218	0.0218	1	EPA 8082A Certifications: NELAC-NY10854,CTDOH,NJDEP,PADEP	10/24/2016 07:34	10/24/2016 19:41	AMC
12672-29-6	Aroclor 1248	ND		mg/kg dry	0.0218	0.0218	1	EPA 8082A Certifications: NELAC-NY10854,CTDOH,NJDEP,PADEP	10/24/2016 07:34	10/24/2016 19:41	AMC
11097-69-1	Aroclor 1254	ND		mg/kg dry	0.0218	0.0218	1	EPA 8082A Certifications: NELAC-NY10854,CTDOH,NJDEP,PADEP	10/24/2016 07:34	10/24/2016 19:41	AMC
11096-82-5	Aroclor 1260	ND		mg/kg dry	0.0218	0.0218	1	EPA 8082A Certifications: NELAC-NY10854,CTDOH,NJDEP,PADEP	10/24/2016 07:34	10/24/2016 19:41	AMC
1336-36-3	* Total PCBs	ND		mg/kg dry	0.0218	0.0218	1	EPA 8082A Certifications:	10/24/2016 07:34	10/24/2016 19:41	AMC
Surrogate Recoveries		Result	Acceptance Range								
877-09-8	Surrogate: Tetrachloro-m-xylene	52.5 %	30-140								
2051-24-3	Surrogate: Decachlorobiphenyl	41.5 %	30-140								

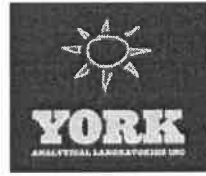
Metals, Target Analyte

Log-in Notes: VOA-CONT **Sample Notes:**

Sample Prepared by Method: EPA 3050B

CAS No.	Parameter	Result	Flag	Units	LOD/MDL	Reported to LOQ	Dilution	Reference Method	Date/Time Prepared	Date/Time Analyzed	Analyst
7429-90-5	Aluminum	4670		mg/kg dry	6.54	6.54	1	EPA 6010C Certifications: CTDOH,NELAC-NY10854,NJDEP,PADEP	10/24/2016 11:09	10/24/2016 21:01	KV
7440-36-0	Antimony	ND		mg/kg dry	0.654	0.654	1	EPA 6010C Certifications: CTDOH,NELAC-NY10854,NJDEP,PADEP	10/24/2016 11:09	10/24/2016 21:01	KV
7440-38-2	Arsenic	2.54		mg/kg dry	1.31	1.31	1	EPA 6010C Certifications: CTDOH,NELAC-NY10854,NJDEP,PADEP	10/24/2016 11:09	10/24/2016 21:01	KV
7440-39-3	Barium	21.0		mg/kg dry	1.31	1.31	1	EPA 6010C Certifications: CTDOH,NELAC-NY10854,NJDEP,PADEP	10/24/2016 11:09	10/24/2016 21:01	KV

HAZ-171



Sample Information

Client Sample ID: SB-08-3.0-3.5' **York Sample ID:** 16J0783-01
York Project (SDG) No. 16J0783 **Client Project ID** 95th str sewer/water OEGS 15-008-0265 **Matrix** Soil **Collection Date/Time** October 20, 2016 9:00 am **Date Received** 10/21/2016

Metals, Target Analyte

Log-in Notes: VOA-CONT **Sample Notes:**

Sample Prepared by Method: EPA 3050B

CAS No.	Parameter	Result	Flag	Units	LOD/MDL	Reported to LOQ	Dilution	Reference Method	Date/Time Prepared	Date/Time Analyzed	Analyst
7440-41-7	Beryllium	ND		mg/kg dry	0.131	0.131	1	EPA 6010C Certifications: CTDOH,NELAC-NY10854,NJDEP,PADEP	10/24/2016 11:09	10/24/2016 21:01	KV
7440-43-9	Cadmium	ND		mg/kg dry	0.393	0.393	1	EPA 6010C Certifications: CTDOH,NELAC-NY10854,NJDEP,PADEP	10/24/2016 11:09	10/24/2016 21:01	KV
7440-70-2	Calcium	690		mg/kg dry	0.654	6.54	1	EPA 6010C Certifications: CTDOH,NELAC-NY10854,NJDEP,PADEP	10/24/2016 11:09	10/24/2016 21:01	KV
7440-47-3	Chromium	11.0		mg/kg dry	0.654	0.654	1	EPA 6010C Certifications: CTDOH,NELAC-NY10854,NJDEP,PADEP	10/24/2016 11:09	10/24/2016 21:01	KV
7440-48-4	Cobalt	4.08		mg/kg dry	0.654	0.654	1	EPA 6010C Certifications: CTDOH,NELAC-NY10854,NJDEP,PADEP	10/24/2016 11:09	10/24/2016 21:01	KV
7440-50-8	Copper	11.5		mg/kg dry	0.654	0.654	1	EPA 6010C Certifications: CTDOH,NELAC-NY10854,NJDEP,PADEP	10/24/2016 11:09	10/24/2016 21:01	KV
7439-89-6	Iron	7140		mg/kg dry	2.62	2.62	1	EPA 6010C Certifications: CTDOH,NELAC-NY10854,NJDEP,PADEP	10/24/2016 11:09	10/24/2016 21:01	KV
7439-92-1	Lead	2.62		mg/kg dry	0.393	0.393	1	EPA 6010C Certifications: CTDOH,NELAC-NY10854,NJDEP,PADEP	10/24/2016 11:09	10/24/2016 21:01	KV
7439-95-4	Magnesium	1940		mg/kg dry	6.54	6.54	1	EPA 6010C Certifications: CTDOH,NELAC-NY10854,NJDEP,PADEP	10/24/2016 11:09	10/24/2016 21:01	KV
7439-96-5	Manganese	63.0		mg/kg dry	0.654	0.654	1	EPA 6010C Certifications: CTDOH,NELAC-NY10854,NJDEP,PADEP	10/24/2016 11:09	10/24/2016 21:01	KV
7440-02-0	Nickel	11.8		mg/kg dry	0.654	0.654	1	EPA 6010C Certifications: CTDOH,NELAC-NY10854,NJDEP,PADEP	10/24/2016 11:09	10/24/2016 21:01	KV
7440-09-7	Potassium	1120		mg/kg dry	6.54	6.54	1	EPA 6010C Certifications: CTDOH,NELAC-NY10854,NJDEP,PADEP	10/24/2016 11:09	10/24/2016 21:01	KV
7782-49-2	Selenium	ND		mg/kg dry	1.31	1.31	1	EPA 6010C Certifications: CTDOH,NELAC-NY10854,NJDEP,PADEP	10/24/2016 11:09	10/24/2016 21:01	KV
7440-22-4	Silver	ND		mg/kg dry	0.654	0.654	1	EPA 6010C Certifications: CTDOH,NELAC-NY10854,NJDEP,PADEP	10/24/2016 11:09	10/24/2016 21:01	KV
7440-23-5	Sodium	181		mg/kg dry	13.1	13.1	1	EPA 6010C Certifications: CTDOH,NELAC-NY10854,NJDEP	10/24/2016 11:09	10/24/2016 21:01	KV
7440-28-0	Thallium	ND		mg/kg dry	1.31	1.31	1	EPA 6010C Certifications: CTDOH,NELAC-NY10854,NJDEP,PADEP	10/24/2016 11:09	10/24/2016 21:01	KV
7440-62-2	Vanadium	13.6		mg/kg dry	1.31	1.31	1	EPA 6010C Certifications: CTDOH,NELAC-NY10854,NJDEP,PADEP	10/24/2016 11:09	10/24/2016 21:01	KV
7440-66-6	Zinc	28.4		mg/kg dry	1.31	1.31	1	EPA 6010C Certifications: CTDOH,NELAC-NY10854,NJDEP,PADEP	10/24/2016 11:09	10/24/2016 21:01	KV

Mercury by 7473

Log-in Notes: VOA-CONT **Sample Notes:**

Sample Prepared by Method: EPA 7473 soil

CAS No.	Parameter	Result	Flag	Units	LOD/MDL	Reported to LOQ	Dilution	Reference Method	Date/Time Prepared	Date/Time Analyzed	Analyst
7439-97-6	Mercury	ND		mg/kg dry	0.0393	0.0393	1	EPA 7473 Certifications: CTDOH,NJDEP,NELAC-NY10854,PADEP	10/24/2016 06:29	10/24/2016 12:07	ALD

HAZ-172



Sample Information

Client Sample ID: SB-08-3.0-3.5' **York Sample ID:** 16J0783-01
York Project (SDG) No.: 16J0783 **Client Project ID:** 95th str sewer/water OEGS 15-008-0265 **Matrix:** Soil **Collection Date/Time:** October 20, 2016 9:00 am **Date Received:** 10/21/2016

Total Solids

Log-in Notes: VOA-CONT **Sample Notes:**

Sample Prepared by Method: % Solids Prep

CAS No.	Parameter	Result	Flag	Units	LOD/MDL	Reported to LOQ	Dilution	Reference Method	Date/Time Prepared	Date/Time Analyzed	Analyst
solids	* % Solids	76.4		%	0.100	0.100	1	SM 2540G Certifications: CTDOH	10/25/2016 08:59	10/25/2016 12:26	TJM

Sample Information

Client Sample ID: SB-08-COMP **York Sample ID:** 16J0783-02
York Project (SDG) No.: 16J0783 **Client Project ID:** 95th str sewer/water OEGS 15-008-0265 **Matrix:** Soil **Collection Date/Time:** October 20, 2016 9:05 am **Date Received:** 10/21/2016

Total Petroleum Hydrocarbons-DRO (C10-C28)

Log-in Notes: **Sample Notes:**

Sample Prepared by Method: EPA 3550C

CAS No.	Parameter	Result	Flag	Units	LOD/MDL	Reported to LOQ	Dilution	Reference Method	Date/Time Prepared	Date/Time Analyzed	Analyst
	Total Petroleum Hydrocarbons-DRO	14.7		mg/kg dry	3.65	10.7	1	EPA 8015D Certifications: NELAC-NY10854,NJDEP,PADEP	10/25/2016 14:10	10/26/2016 20:36	AMC
	Surrogate Recoveries	Result			Acceptance Range						
638-68-6	Surrogate: Triacontane	59.6 %			30-150						

Total Petroleum Hydrocarbons-GRO (C5-C10)

Log-in Notes: **Sample Notes:** VOA-CONT

Sample Prepared by Method: EPA 5035A

CAS No.	Parameter	Result	Flag	Units	LOD/MDL	Reported to LOQ	Dilution	Reference Method	Date/Time Prepared	Date/Time Analyzed	Analyst
	Total Petroleum Hydrocarbons-GRO	ND		mg/kg dry	43.0	85.9	100	EPA 8015D Certifications: NELAC-NY10854,NJDEP,PADEP	10/27/2016 12:16	10/27/2016 16:59	OW
	Surrogate Recoveries	Result			Acceptance Range						
460-00-4	Surrogate: p-Bromofluorobenzene	93.4 %			70-130						

Metals, TCLP RCRA

Log-in Notes: **Sample Notes:**

Sample Prepared by Method: EPA 3015A/1311

CAS No.	Parameter	Result	Flag	Units	LOD/MDL	Reported to LOQ	Dilution	Reference Method	Date/Time Prepared	Date/Time Analyzed	Analyst
7440-38-2	Arsenic	0.005		mg/L	0.004	0.004	1	EPA 6010C/1311 Certifications: CTDOH,NELAC-NY10854,NJDEP,PADEP	10/25/2016 12:41	10/25/2016 20:26	KV
7440-39-3	Barium	0.123		mg/L	0.011	0.011	1	EPA 6010C/1311 Certifications: CTDOH,NELAC-NY10854,NJDEP,PADEP	10/25/2016 12:41	10/25/2016 20:26	KV
7440-43-9	Cadmium	ND		mg/L	0.003	0.003	1	EPA 6010C/1311 Certifications: CTDOH,NELAC-NY10854,NJDEP,PADEP	10/25/2016 12:41	10/25/2016 20:26	KV
7440-47-3	Chromium	0.009		mg/L	0.006	0.006	1	EPA 6010C/1311 Certifications: CTDOH,NELAC-NY10854,NJDEP,PADEP	10/25/2016 12:41	10/25/2016 20:26	KV

HAZ-173



Sample Information

Client Sample ID: SB-08-COMP **York Sample ID:** 16J0783-02
York Project (SDG) No. 16J0783 **Client Project ID** 95th str sewer/water OEGS 15-008-0265 **Matrix** Soil **Collection Date/Time** October 20, 2016 9:05 am **Date Received** 10/21/2016

Metals, TCLP RCRA

Log-in Notes:

Sample Notes:

Sample Prepared by Method: EPA 3015A/1311

CAS No.	Parameter	Result	Flag	Units	LOD/MDL	Reported to LOQ	Dilution	Reference Method	Date/Time Prepared	Date/Time Analyzed	Analyst
7439-92-1	Lead	0.010		mg/L	0.003	0.003	1	EPA 6010C/1311 Certifications: CTDOH,NELAC-NY10854,NJDEP,PADEP	10/25/2016 12:41	10/25/2016 20:26	KV
7782-49-2	Selenium	ND	M-SeT C	mg/L	0.011	0.011	1	EPA 6010C/1311 Certifications: CTDOH,NELAC-NY10854,NJDEP,PADEP	10/25/2016 12:41	10/25/2016 20:26	KV
7440-22-4	Silver	ND		mg/L	0.006	0.006	1	EPA 6010C/1311 Certifications: CTDOH,NELAC-NY10854,NJDEP,PADEP	10/25/2016 12:41	10/25/2016 20:26	KV

Mercury TCLP by 7473

Log-in Notes:

Sample Notes:

Sample Prepared by Method: EPA 7473 water

CAS No.	Parameter	Result	Flag	Units	LOD/MDL	Reported to LOQ	Dilution	Reference Method	Date/Time Prepared	Date/Time Analyzed	Analyst
7439-97-6	Mercury	ND		mg/L	0.0000390	0.000200	1	EPA 7473/1311 Certifications: CTDOH,NJDEP,PADEP,NELAC-NY10854	10/26/2016 06:18	10/26/2016 11:23	ALD

Ignitability

Log-in Notes:

Sample Notes:

Sample Prepared by Method: Analysis Preparation

CAS No.	Parameter	Result	Flag	Units	LOD/MDL	Reported to LOQ	Dilution	Reference Method	Date/Time Prepared	Date/Time Analyzed	Analyst
	* Ignitability	Non-Ignit.		-	1	1	1	EPA 1030P Certifications: CTDOH,PADEP	10/21/2016 23:59	10/22/2016 00:15	AA

Total Solids

Log-in Notes:

Sample Notes:

Sample Prepared by Method: % Solids Prep

CAS No.	Parameter	Result	Flag	Units	LOD/MDL	Reported to LOQ	Dilution	Reference Method	Date/Time Prepared	Date/Time Analyzed	Analyst
solids	* % Solids	93.1		%	0.100	0.100	1	SM 2540G Certifications: CTDOH	10/25/2016 08:59	10/25/2016 12:26	TJM

Corrosivity

Log-in Notes:

Sample Notes:

Sample Prepared by Method: Analysis Preparation

CAS No.	Parameter	Result	Flag	Units	LOD/MDL	Reported to LOQ	Dilution	Reference Method	Date/Time Prepared	Date/Time Analyzed	Analyst
	pH	8.00	HT-pH	pH units		0.500	1	EPA 9045D Certifications: NELAC-NY10854,CTDOH,PADEP	10/25/2016 09:02	10/25/2016 16:12	DM1

Reactivity-Cyanide

Log-in Notes:

Sample Notes:

Sample Prepared by Method: Analysis Preparation

CAS No.	Parameter	Result	Flag	Units	LOD/MDL	Reported to LOQ	Dilution	Reference Method	Date/Time Prepared	Date/Time Analyzed	Analyst
	* Reactivity - Cyanide	ND		mg/kg	0.250	0.250	1	EPA SW-846 Ch.7.3.3 Certifications: CTDOH,PADEP	10/28/2016 15:05	10/28/2016 16:39	AD

Reactivity-Sulfide

Log-in Notes:

Sample Notes:

HAZ-174



Sample Information

Client Sample ID: SB-08-COMP

York Sample ID: 16J0783-02

York Project (SDG) No.
16J0783

Client Project ID
95th str sewer/water OEGS 15-008-0265

Matrix
Soil

Collection Date/Time
October 20, 2016 9:05 am

Date Received
10/21/2016

Sample Prepared by Method: Analysis Preparation

CAS No.	Parameter	Result	Flag	Units	LOD/MDL	Reported to LOQ	Dilution	Reference Method	Date/Time Prepared	Date/Time Analyzed	Analyst
	* Reactivity - Sulfide	ND		mg/kg	15.0	15.0	1	EPA SW-846 Ch.7.3.4 Certifications: CTDOH,PADEP	10/28/2016 15:06	10/28/2016 16:39	AD

TCLP Extraction for METALS EPA 1311

Log-in Notes:

Sample Notes:

Sample Prepared by Method: EPA SW 846-1311 TCLP ext. for metals

CAS No.	Parameter	Result	Flag	Units	LOD/MDL	Reported to LOQ	Dilution	Reference Method	Date/Time Prepared	Date/Time Analyzed	Analyst
	TCLP Extraction	Completed		N/A	1.00	1.00	1	EPA 1311 Certifications: NELAC-NY10854,CTDOH,NJDEP,PADEP	10/24/2016 17:36	10/25/2016 13:48	TJM

Sample Information

Client Sample ID: SB-03-3.0-3.5'

York Sample ID: 16J0783-03

York Project (SDG) No.
16J0783

Client Project ID
95th str sewer/water OEGS 15-008-0265

Matrix
Soil

Collection Date/Time
October 20, 2016 9:45 am

Date Received
10/21/2016

Volatile Organics, 8260 - Comprehensive

Log-in Notes: VOA-CONT

Sample Notes:

Sample Prepared by Method: EPA 5035A

CAS No.	Parameter	Result	Flag	Units	LOD/MDL	Reported to LOQ	Dilution	Reference Method	Date/Time Prepared	Date/Time Analyzed	Analyst
630-20-6	1,1,1,2-Tetrachloroethane	ND		mg/kg dry	0.0028	0.0055	1	EPA 8260C Certifications: CTDOH,NELAC-NY10854,NJDEP	10/26/2016 15:30	10/27/2016 00:55	BK
71-55-6	1,1,1-Trichloroethane	ND		mg/kg dry	0.0028	0.0055	1	EPA 8260C Certifications: CTDOH,NELAC-NY10854,NJDEP,PADEP	10/26/2016 15:30	10/27/2016 00:55	BK
79-34-5	1,1,2,2-Tetrachloroethane	ND		mg/kg dry	0.0028	0.0055	1	EPA 8260C Certifications: CTDOH,NELAC-NY10854,NJDEP,PADEP	10/26/2016 15:30	10/27/2016 00:55	BK
76-13-1	1,1,2-Trichloro-1,2,2-trifluoroethane (Freon 113)	ND		mg/kg dry	0.0028	0.0055	1	EPA 8260C Certifications: CTDOH,NELAC-NY10854,NJDEP	10/26/2016 15:30	10/27/2016 00:55	BK
79-00-5	1,1,2-Trichloroethane	ND		mg/kg dry	0.0028	0.0055	1	EPA 8260C Certifications: CTDOH,NELAC-NY10854,NJDEP,PADEP	10/26/2016 15:30	10/27/2016 00:55	BK
75-34-3	1,1-Dichloroethane	ND		mg/kg dry	0.0028	0.0055	1	EPA 8260C Certifications: CTDOH,NELAC-NY10854,NJDEP,PADEP	10/26/2016 15:30	10/27/2016 00:55	BK
75-35-4	1,1-Dichloroethylene	ND		mg/kg dry	0.0028	0.0055	1	EPA 8260C Certifications: CTDOH,NELAC-NY10854,NJDEP,PADEP	10/26/2016 15:30	10/27/2016 00:55	BK
87-61-6	1,2,3-Trichlorobenzene	ND		mg/kg dry	0.0028	0.0055	1	EPA 8260C Certifications: NELAC-NY10854,NJDEP	10/26/2016 15:30	10/27/2016 00:55	BK
96-18-4	1,2,3-Trichloropropane	ND		mg/kg dry	0.0028	0.0055	1	EPA 8260C Certifications: NELAC-NY10854,NJDEP	10/26/2016 15:30	10/27/2016 00:55	BK
120-82-1	1,2,4-Trichlorobenzene	ND		mg/kg dry	0.0028	0.0055	1	EPA 8260C Certifications: NELAC-NY10854,NJDEP	10/26/2016 15:30	10/27/2016 00:55	BK
106-99-6	1,2,4-Trimethylbenzene	ND		mg/kg dry	0.0028	0.0055	1	EPA 8260C Certifications: CTDOH,NELAC-NY10854,NJDEP	10/26/2016 15:30	10/27/2016 00:55	BK

HAZ-175



Sample Information

Client Sample ID: SB-03-3.0-3.5'

York Sample ID: 16J0783-03

York Project (SDG) No.
16J0783

Client Project ID
95th str sewer/water OEGS 15-008-0265

Matrix
Soil

Collection Date/Time
October 20, 2016 9:45 am

Date Received
10/21/2016

Volatile Organics, 8260 - Comprehensive

Log-in Notes: VOA-CONT **Sample Notes:**

Sample Prepared by Method: EPA 5035A

CAS No.	Parameter	Result	Flag	Units	Reported to LOD/MDL	LOQ	Dilution	Reference Method	Date/Time Prepared	Date/Time Analyzed	Analyst
96-12-8	1,2-Dibromo-3-chloropropane	ND		mg/kg dry	0.0028	0.0055	1	EPA 8260C Certifications: CTDOH,NELAC-NY10854,NJDEP	10/26/2016 15:30	10/27/2016 00:55	BK
106-93-4	1,2-Dibromoethane	ND		mg/kg dry	0.0028	0.0055	1	EPA 8260C Certifications: CTDOH,NELAC-NY10854,NJDEP	10/26/2016 15:30	10/27/2016 00:55	BK
95-50-1	1,2-Dichlorobenzene	ND		mg/kg dry	0.0028	0.0055	1	EPA 8260C Certifications: CTDOH,NELAC-NY10854,NJDEP,PADEP	10/26/2016 15:30	10/27/2016 00:55	BK
107-06-2	1,2-Dichloroethane	ND		mg/kg dry	0.0028	0.0055	1	EPA 8260C Certifications: CTDOH,NELAC-NY10854,NJDEP,PADEP	10/26/2016 15:30	10/27/2016 00:55	BK
78-87-5	1,2-Dichloropropane	ND		mg/kg dry	0.0028	0.0055	1	EPA 8260C Certifications: CTDOH,NELAC-NY10854,NJDEP	10/26/2016 15:30	10/27/2016 00:55	BK
108-67-8	1,3,5-Trimethylbenzene	ND		mg/kg dry	0.0028	0.0055	1	EPA 8260C Certifications: CTDOH,NELAC-NY10854,NJDEP	10/26/2016 15:30	10/27/2016 00:55	BK
541-73-1	1,3-Dichlorobenzene	ND		mg/kg dry	0.0028	0.0055	1	EPA 8260C Certifications: CTDOH,NELAC-NY10854,NJDEP,PADEP	10/26/2016 15:30	10/27/2016 00:55	BK
106-46-7	1,4-Dichlorobenzene	ND		mg/kg dry	0.0028	0.0055	1	EPA 8260C Certifications: CTDOH,NELAC-NY10854,NJDEP,PADEP	10/26/2016 15:30	10/27/2016 00:55	BK
123-91-1	1,4-Dioxane	ND		mg/kg dry	0.055	0.11	1	EPA 8260C Certifications: NELAC-NY10854,NJDEP	10/26/2016 15:30	10/27/2016 00:55	BK
78-93-3	2-Butanone	ND		mg/kg dry	0.0028	0.0055	1	EPA 8260C Certifications: CTDOH,NELAC-NY10854,NJDEP	10/26/2016 15:30	10/27/2016 00:55	BK
591-78-6	2-Hexanone	ND		mg/kg dry	0.0028	0.0055	1	EPA 8260C Certifications: CTDOH,NELAC-NY10854,NJDEP	10/26/2016 15:30	10/27/2016 00:55	BK
108-10-1	4-Methyl-2-pentanone	ND		mg/kg dry	0.0028	0.0055	1	EPA 8260C Certifications: CTDOH,NELAC-NY10854,NJDEP	10/26/2016 15:30	10/27/2016 00:55	BK
67-64-1	Acetone	ND		mg/kg dry	0.0055	0.011	1	EPA 8260C Certifications: CTDOH,NELAC-NY10854,NJDEP	10/26/2016 15:30	10/27/2016 00:55	BK
107-02-8	Acrolein	ND		mg/kg dry	0.0055	0.011	1	EPA 8260C Certifications: CTDOH,NELAC-NY10854,NJDEP	10/26/2016 15:30	10/27/2016 00:55	BK
107-13-1	Acrylonitrile	ND		mg/kg dry	0.0028	0.0055	1	EPA 8260C Certifications: CTDOH,NELAC-NY10854,NJDEP	10/26/2016 15:30	10/27/2016 00:55	BK
71-43-2	Benzene	ND		mg/kg dry	0.0028	0.0055	1	EPA 8260C Certifications: CTDOH,NELAC-NY10854,NJDEP,PADEP	10/26/2016 15:30	10/27/2016 00:55	BK
74-97-5	Bromochloromethane	ND		mg/kg dry	0.0028	0.0055	1	EPA 8260C Certifications: NELAC-NY10854,NJDEP	10/26/2016 15:30	10/27/2016 00:55	BK
75-27-4	Bromodichloromethane	ND		mg/kg dry	0.0028	0.0055	1	EPA 8260C Certifications: CTDOH,NELAC-NY10854,NJDEP,PADEP	10/26/2016 15:30	10/27/2016 00:55	BK
75-25-2	Bromoform	ND		mg/kg dry	0.0028	0.0055	1	EPA 8260C Certifications: CTDOH,NELAC-NY10854,NJDEP,PADEP	10/26/2016 15:30	10/27/2016 00:55	BK
74-83-9	Bromomethane	ND		mg/kg dry	0.0028	0.0055	1	EPA 8260C Certifications: CTDOH,NELAC-NY10854,NJDEP,PADEP	10/26/2016 15:30	10/27/2016 00:55	BK
75-15-0	Carbon disulfide	ND		mg/kg dry	0.0028	0.0055	1	EPA 8260C Certifications: CTDOH,NELAC-NY10854,NJDEP	10/26/2016 15:30	10/27/2016 00:55	BK
56-23-5	Carbon tetrachloride	ND		mg/kg dry	0.0028	0.0055	1	EPA 8260C Certifications: CTDOH,NELAC-NY10854,NJDEP,PADEP	10/26/2016 15:30	10/27/2016 00:55	BK

HAZ-176



Sample Information

Client Sample ID: SB-03-3.0-3.5'

York Sample ID: 16J0783-03

York Project (SDG) No.
16J0783

Client Project ID
95th str sewer/water OEGS 15-008-0265

Matrix
Soil

Collection Date/Time
October 20, 2016 9:45 am

Date Received
10/21/2016

Volatile Organics, 8260 - Comprehensive

Log-in Notes: VOA-CONT Sample Notes:

Sample Prepared by Method: EPA 5035A

CAS No.	Parameter	Result	Flag	Units	Reported to LOD/MDL	LOQ	Dilution	Reference Method	Date/Time Prepared	Date/Time Analyzed	Analyst
108-90-7	Chlorobenzene	ND		mg/kg dry	0.0028	0.0055	1	EPA 8260C Certifications: CTDOH,NELAC-NY10854,NJDEP,PADEP	10/26/2016 15:30	10/27/2016 00:55	BK
75-00-3	Chloroethane	ND		mg/kg dry	0.0028	0.0055	1	EPA 8260C Certifications: CTDOH,NELAC-NY10854,NJDEP,PADEP	10/26/2016 15:30	10/27/2016 00:55	BK
67-66-3	Chloroform	ND		mg/kg dry	0.0028	0.0055	1	EPA 8260C Certifications: CTDOH,NELAC-NY10854,NJDEP,PADEP	10/26/2016 15:30	10/27/2016 00:55	BK
74-87-3	Chloromethane	ND		mg/kg dry	0.0028	0.0055	1	EPA 8260C Certifications: CTDOH,NELAC-NY10854,NJDEP,PADEP	10/26/2016 15:30	10/27/2016 00:55	BK
156-59-2	cis-1,2-Dichloroethylene	ND		mg/kg dry	0.0028	0.0055	1	EPA 8260C Certifications: CTDOH,NELAC-NY10854,NJDEP	10/26/2016 15:30	10/27/2016 00:55	BK
10061-01-5	cis-1,3-Dichloropropylene	ND		mg/kg dry	0.0028	0.0055	1	EPA 8260C Certifications: CTDOH,NELAC-NY10854,NJDEP,PADEP	10/26/2016 15:30	10/27/2016 00:55	BK
110-82-7	Cyclohexane	ND		mg/kg dry	0.0028	0.0055	1	EPA 8260C Certifications: NELAC-NY10854,NJDEP	10/26/2016 15:30	10/27/2016 00:55	BK
74-48-1	Dibromochloromethane	ND		mg/kg dry	0.0028	0.0055	1	EPA 8260C Certifications: NELAC-NY10854,NJDEP,PADEP	10/26/2016 15:30	10/27/2016 00:55	BK
74-95-3	Dibromomethane	ND		mg/kg dry	0.0028	0.0055	1	EPA 8260C Certifications: NELAC-NY10854,NJDEP	10/26/2016 15:30	10/27/2016 00:55	BK
75-71-8	Dichlorodifluoromethane	ND		mg/kg dry	0.0028	0.0055	1	EPA 8260C Certifications: NELAC-NY10854,NJDEP	10/26/2016 15:30	10/27/2016 00:55	BK
100-41-4	Ethyl Benzene	ND		mg/kg dry	0.0028	0.0055	1	EPA 8260C Certifications: CTDOH,NELAC-NY10854,NJDEP,PADEP	10/26/2016 15:30	10/27/2016 00:55	BK
87-68-3	Hexachlorobutadiene	ND		mg/kg dry	0.0028	0.0055	1	EPA 8260C Certifications: NELAC-NY10854,NJDEP	10/26/2016 15:30	10/27/2016 00:55	BK
98-82-8	Isopropylbenzene	ND		mg/kg dry	0.0028	0.0055	1	EPA 8260C Certifications: CTDOH,NELAC-NY10854,NJDEP	10/26/2016 15:30	10/27/2016 00:55	BK
79-20-9	Methyl acetate	ND		mg/kg dry	0.0028	0.0055	1	EPA 8260C Certifications: NELAC-NY10854,NJDEP	10/26/2016 15:30	10/27/2016 00:55	BK
1634-04-4	Methyl tert-butyl ether (MTBE)	ND		mg/kg dry	0.0028	0.0055	1	EPA 8260C Certifications: CTDOH,NELAC-NY10854,NJDEP	10/26/2016 15:30	10/27/2016 00:55	BK
108-87-2	Methylcyclohexane	ND		mg/kg dry	0.0028	0.0055	1	EPA 8260C Certifications: NELAC-NY10854,NJDEP	10/26/2016 15:30	10/27/2016 00:55	BK
75-09-2	Methylene chloride	ND		mg/kg dry	0.0055	0.011	1	EPA 8260C Certifications: CTDOH,NELAC-NY10854,NJDEP,PADEP	10/26/2016 15:30	10/27/2016 00:55	BK
104-51-8	n-Butylbenzene	ND		mg/kg dry	0.0028	0.0055	1	EPA 8260C Certifications: CTDOH,NELAC-NY10854,NJDEP	10/26/2016 15:30	10/27/2016 00:55	BK
103-65-1	n-Propylbenzene	ND		mg/kg dry	0.0028	0.0055	1	EPA 8260C Certifications: CTDOH,NELAC-NY10854,NJDEP	10/26/2016 15:30	10/27/2016 00:55	BK
95-47-6	o-Xylene	ND		mg/kg dry	0.0028	0.0055	1	EPA 8260C Certifications: CTDOH,NELAC-NY10854	10/26/2016 15:30	10/27/2016 00:55	BK
106-01-23-1	p- & m- Xylenes	ND		mg/kg dry	0.0055	0.011	1	EPA 8260C Certifications: CTDOH,NELAC-NY10854	10/26/2016 15:30	10/27/2016 00:55	BK
99-87-6	p-Isopropyltoluene	ND		mg/kg dry	0.0028	0.0055	1	EPA 8260C Certifications: CTDOH,NELAC-NY10854,NJDEP	10/26/2016 15:30	10/27/2016 00:55	BK



Sample Information

Client Sample ID: SB-03-3.0-3.5'

York Sample ID: 16J0783-03

York Project (SDG) No.
16J0783

Client Project ID
95th str sewer/water OEGS 15-008-0265

Matrix
Soil

Collection Date/Time
October 20, 2016 9:45 am

Date Received
10/21/2016

Volatiles Organics, 8260 - Comprehensive

Log-in Notes: VOA-CONT Sample Notes:

Sample Prepared by Method: EPA 5035A

CAS No.	Parameter	Result	Flag	Units	Reported to LOD/MDL	LOQ	Dilution	Reference Method	Date/Time Prepared	Date/Time Analyzed	Analyst
135-98-8	sec-Butylbenzene	ND		mg/kg dry	0.0028	0.0055	1	EPA 8260C Certifications: CTDOH,NELAC-NY10854,NJDEP	10/26/2016 15:30	10/27/2016 00:55	BK
100-42-5	Styrene	ND		mg/kg dry	0.0028	0.0055	1	EPA 8260C Certifications: CTDOH,NELAC-NY10854,NJDEP	10/26/2016 15:30	10/27/2016 00:55	BK
75-65-0	tert-Butyl alcohol (TBA)	ND		mg/kg dry	0.0028	0.0055	1	EPA 8260C Certifications: NELAC-NY10854,NJDEP	10/26/2016 15:30	10/27/2016 00:55	BK
98-06-6	tert-Butylbenzene	ND		mg/kg dry	0.0028	0.0055	1	EPA 8260C Certifications: CTDOH,NELAC-NY10854,NJDEP	10/26/2016 15:30	10/27/2016 00:55	BK
127-18-4	Tetrachloroethylene	ND		mg/kg dry	0.0028	0.0055	1	EPA 8260C Certifications: CTDOH,NELAC-NY10854,NJDEP,PADEP	10/26/2016 15:30	10/27/2016 00:55	BK
108-88-3	Toluene	ND		mg/kg dry	0.0028	0.0055	1	EPA 8260C Certifications: CTDOH,NELAC-NY10854,NJDEP,PADEP	10/26/2016 15:30	10/27/2016 00:55	BK
156-60-5	trans-1,2-Dichloroethylene	ND		mg/kg dry	0.0028	0.0055	1	EPA 8260C Certifications: CTDOH,NELAC-NY10854,NJDEP	10/26/2016 15:30	10/27/2016 00:55	BK
10061-02-6	trans-1,3-Dichloropropylene	ND		mg/kg dry	0.0028	0.0055	1	EPA 8260C Certifications: CTDOH,NELAC-NY10854,NJDEP,PADEP	10/26/2016 15:30	10/27/2016 00:55	BK
79-01-6	Trichloroethylene	ND		mg/kg dry	0.0028	0.0055	1	EPA 8260C Certifications: CTDOH,NELAC-NY10854,NJDEP,PADEP	10/26/2016 15:30	10/27/2016 00:55	BK
75-69-4	Trichlorofluoromethane	ND		mg/kg dry	0.0028	0.0055	1	EPA 8260C Certifications: CTDOH,NELAC-NY10854,NJDEP,PADEP	10/26/2016 15:30	10/27/2016 00:55	BK
75-01-4	Vinyl Chloride	ND		mg/kg dry	0.0028	0.0055	1	EPA 8260C Certifications: CTDOH,NELAC-NY10854,NJDEP,PADEP	10/26/2016 15:30	10/27/2016 00:55	BK
1330-20-7	Xylenes, Total	ND		mg/kg dry	0.0083	0.017	1	EPA 8260C Certifications: CTDOH,NELAC-NY10854,NJDEP,PADEP	10/26/2016 15:30	10/27/2016 00:55	BK
Surrogate Recoveries		Result			Acceptance Range						
17060-07-0	Surrogate: 1,2-Dichloroethane-d4	106 %			77-125						
2037-26-5	Surrogate: Toluene-d8	98.5 %			85-120						
460-00-4	Surrogate: p-Bromofluorobenzene	87.0 %			76-130						

Semi-Volatiles, 8270 - Comprehensive

Log-in Notes: VOA-CONT Sample Notes:

Sample Prepared by Method: EPA 3550C

CAS No.	Parameter	Result	Flag	Units	Reported to LOD/MDL	LOQ	Dilution	Reference Method	Date/Time Prepared	Date/Time Analyzed	Analyst
92-52-4	1,1'-Biphenyl	ND		mg/kg dry	0.0461	0.0919	2	EPA 8270D Certifications: NELAC-NY10854,NJDEP,PADEP	10/25/2016 14:08	10/26/2016 10:56	KH
95-94-3	1,2,4,5-Tetrachlorobenzene	ND		mg/kg dry	0.0919	0.184	2	EPA 8270D Certifications: NELAC-NY10854,NJDEP,PADEP	10/25/2016 14:08	10/26/2016 10:56	KH
120-82-1	1,2,4-Trichlorobenzene	ND		mg/kg dry	0.0461	0.0919	2	EPA 8270D Certifications: CTDOH,NELAC-NY10854,NJDEP,PADEP	10/25/2016 14:08	10/26/2016 10:56	KH
95-50-1	1,2-Dichlorobenzene	ND		mg/kg dry	0.0461	0.0919	2	EPA 8270D Certifications: NELAC-NY10854,PADEP	10/25/2016 14:08	10/26/2016 10:56	KE
122-66-7	1,2-Diphenylhydrazine (as Azobenzene)	ND		mg/kg dry	0.0461	0.0919	2	EPA 8270D Certifications: NELAC-NY10854,NJDEP,PADEP	10/25/2016 14:08	10/26/2016 10:56	KH

120 RESEARCH DRIVE

STRATFORD, CT 06615

(203) 325-1371

FAX (203) 357-0166

HAZ-178



Sample Information

Client Sample ID: SB-03-3.0-3.5'

York Sample ID: 16J0783-03

York Project (SDG) No.
16J0783

Client Project ID
95th str sewer/water OEGS 15-008-0265

Matrix
Soil

Collection Date/Time
October 20, 2016 9:45 am

Date Received
10/21/2016

Semi-Volatiles, 8270 - Comprehensive

Log-in Notes: VOA-CONT Sample Notes:

Sample Prepared by Method: EPA 3550C

CAS No.	Parameter	Result	Flag	Units	Reported to LOD/MDL	LOQ	Dilution	Reference Method	Date/Time Prepared	Date/Time Analyzed	Analyst
541-73-1	1,3-Dichlorobenzene	ND		mg/kg dry	0.0461	0.0919	2	EPA 8270D Certifications: NELAC-NY10854,PADEP	10/25/2016 14:08	10/26/2016 10:56	KH
106-46-7	1,4-Dichlorobenzene	ND		mg/kg dry	0.0461	0.0919	2	EPA 8270D Certifications: NELAC-NY10854,PADEP	10/25/2016 14:08	10/26/2016 10:56	KH
58-90-2	2,3,4,6-Tetrachlorophenol	ND		mg/kg dry	0.0919	0.184	2	EPA 8270D Certifications: NELAC-NY10854,NJDEP,PADEP	10/25/2016 14:08	10/26/2016 10:56	KH
95-95-4	2,4,5-Trichlorophenol	ND		mg/kg dry	0.0461	0.0919	2	EPA 8270D Certifications: CTDOH,NELAC-NY10854,NJDEP,PADEP	10/25/2016 14:08	10/26/2016 10:56	KH
88-06-2	2,4,6-Trichlorophenol	ND		mg/kg dry	0.0461	0.0919	2	EPA 8270D Certifications: CTDOH,NELAC-NY10854,NJDEP,PADEP	10/25/2016 14:08	10/26/2016 10:56	KH
120-83-2	2,4-Dichlorophenol	ND		mg/kg dry	0.0461	0.0919	2	EPA 8270D Certifications: CTDOH,NELAC-NY10854,NJDEP,PADEP	10/25/2016 14:08	10/26/2016 10:56	KH
105-67-9	2,4-Dimethylphenol	ND		mg/kg dry	0.0461	0.0919	2	EPA 8270D Certifications: CTDOH,NELAC-NY10854,NJDEP,PADEP	10/25/2016 14:08	10/26/2016 10:56	KH
128-5	2,4-Dinitrophenol	ND		mg/kg dry	0.0919	0.184	2	EPA 8270D Certifications: CTDOH,NELAC-NY10854,NJDEP,PADEP	10/25/2016 14:08	10/26/2016 10:56	KH
121-14-2	2,4-Dinitrotoluene	ND		mg/kg dry	0.0461	0.0919	2	EPA 8270D Certifications: CTDOH,NELAC-NY10854,NJDEP,PADEP	10/25/2016 14:08	10/26/2016 10:56	KH
606-20-2	2,6-Dinitrotoluene	ND		mg/kg dry	0.0461	0.0919	2	EPA 8270D Certifications: CTDOH,NELAC-NY10854,NJDEP,PADEP	10/25/2016 14:08	10/26/2016 10:56	KH
91-58-7	2-Chloronaphthalene	ND		mg/kg dry	0.0461	0.0919	2	EPA 8270D Certifications: CTDOH,NELAC-NY10854,NJDEP,PADEP	10/25/2016 14:08	10/26/2016 10:56	KH
95-57-8	2-Chlorophenol	ND		mg/kg dry	0.0461	0.0919	2	EPA 8270D Certifications: CTDOH,NELAC-NY10854,NJDEP,PADEP	10/25/2016 14:08	10/26/2016 10:56	KH
91-57-6	2-Methylnaphthalene	ND		mg/kg dry	0.0461	0.0919	2	EPA 8270D Certifications: CTDOH,NELAC-NY10854,NJDEP,PADEP	10/25/2016 14:08	10/26/2016 10:56	KH
95-48-7	2-Methylphenol	ND		mg/kg dry	0.0461	0.0919	2	EPA 8270D Certifications: CTDOH,NELAC-NY10854,NJDEP,PADEP	10/25/2016 14:08	10/26/2016 10:56	KH
88-74-4	2-Nitroaniline	ND		mg/kg dry	0.0919	0.184	2	EPA 8270D Certifications: CTDOH,NELAC-NY10854,NJDEP,PADEP	10/25/2016 14:08	10/26/2016 10:56	KH
88-75-5	2-Nitrophenol	ND		mg/kg dry	0.0461	0.0919	2	EPA 8270D Certifications: CTDOH,NELAC-NY10854,NJDEP,PADEP	10/25/2016 14:08	10/26/2016 10:56	KH
65794-96-9	3- & 4-Methylphenols	ND		mg/kg dry	0.0461	0.0919	2	EPA 8270D Certifications: CTDOH,NELAC-NY10854,NJDEP,PADEP	10/25/2016 14:08	10/26/2016 10:56	KH
91-94-1	3,3'-Dichlorobenzidine	ND		mg/kg dry	0.0461	0.0919	2	EPA 8270D Certifications: NELAC-NY10854,NJDEP,PADEP	10/25/2016 14:08	10/26/2016 10:56	KH
99-09-2	3-Nitroaniline	ND		mg/kg dry	0.0919	0.184	2	EPA 8270D Certifications: CTDOH,NELAC-NY10854,NJDEP,PADEP	10/25/2016 14:08	10/26/2016 10:56	KH
534-52-1	4,6-Dinitro-2-methylphenol	ND		mg/kg dry	0.0919	0.184	2	EPA 8270D Certifications: CTDOH,NELAC-NY10854,NJDEP,PADEP	10/25/2016 14:08	10/26/2016 10:56	KH
101-55-3	4-Bromophenyl phenyl ether	ND		mg/kg dry	0.0461	0.0919	2	EPA 8270D Certifications: CTDOH,NELAC-NY10854,NJDEP,PADEP	10/25/2016 14:08	10/26/2016 10:56	KH
50-50-7	4-Chloro-3-methylphenol	ND		mg/kg dry	0.0461	0.0919	2	EPA 8270D Certifications: CTDOH,NELAC-NY10854,NJDEP,PADEP	10/25/2016 14:08	10/26/2016 10:56	KH

HAZ-179



Sample Information

Client Sample ID: SB-03-3.0-3.5'

York Sample ID: 16J0783-03

York Project (SDG) No.
16J0783

Client Project ID
95th str sewer/water OEGS 15-008-0265

Matrix
Soil

Collection Date/Time
October 20, 2016 9:45 am

Date Received
10/21/2016

Semi-Volatiles, 8270 - Comprehensive

Log-in Notes: VOA-CONT Sample Notes:

Sample Prepared by Method: EPA 3550C

CAS No.	Parameter	Result	Flag	Units	Reported to LOD/MDL	LOQ	Dilution	Reference Method	Date/Time Prepared	Date/Time Analyzed	Analyst
106-47-8	4-Chloroaniline	ND		mg/kg dry	0.0461	0.0919	2	EPA 8270D Certifications: CTDOH,NELAC-NY10854,NJDEP,PADEP	10/25/2016 14:08	10/26/2016 10:56	KH
7005-72-3	4-Chlorophenyl phenyl ether	ND		mg/kg dry	0.0461	0.0919	2	EPA 8270D Certifications: CTDOH,NELAC-NY10854,NJDEP,PADEP	10/25/2016 14:08	10/26/2016 10:56	KH
100-01-6	4-Nitroaniline	ND		mg/kg dry	0.0919	0.184	2	EPA 8270D Certifications: CTDOH,NELAC-NY10854,NJDEP,PADEP	10/25/2016 14:08	10/26/2016 10:56	KH
100-02-7	4-Nitrophenol	ND		mg/kg dry	0.0919	0.184	2	EPA 8270D Certifications: CTDOH,NELAC-NY10854,NJDEP,PADEP	10/25/2016 14:08	10/26/2016 10:56	KH
83-32-9	Acenaphthene	ND		mg/kg dry	0.0461	0.0919	2	EPA 8270D Certifications: CTDOH,NELAC-NY10854,NJDEP,PADEP	10/25/2016 14:08	10/26/2016 10:56	KH
208-96-8	Acenaphthylene	ND		mg/kg dry	0.0461	0.0919	2	EPA 8270D Certifications: CTDOH,NELAC-NY10854,NJDEP,PADEP	10/25/2016 14:08	10/26/2016 10:56	KH
98-86-2	Acetophenone	ND		mg/kg dry	0.0461	0.0919	2	EPA 8270D Certifications: NELAC-NY10854,NJDEP,PADEP	10/25/2016 14:08	10/26/2016 10:56	KH
62-53-3	Aniline	ND		mg/kg dry	0.184	0.368	2	EPA 8270D Certifications: NELAC-NY10854,NJDEP,PADEP	10/25/2016 14:08	10/26/2016 10:56	KH
120-12-7	Anthracene	ND		mg/kg dry	0.0461	0.0919	2	EPA 8270D Certifications: CTDOH,NELAC-NY10854,NJDEP,PADEP	10/25/2016 14:08	10/26/2016 10:56	KH
1912-24-9	Atrazine	ND		mg/kg dry	0.0461	0.0919	2	EPA 8270D Certifications: NELAC-NY10854,NJDEP,PADEP	10/25/2016 14:08	10/26/2016 10:56	KH
100-52-7	Benzaldehyde	ND		mg/kg dry	0.0461	0.0919	2	EPA 8270D Certifications: NELAC-NY10854,NJDEP,PADEP	10/25/2016 14:08	10/26/2016 10:56	KH
92-87-5	Benzidine	ND		mg/kg dry	0.184	0.368	2	EPA 8270D Certifications: CTDOH,NELAC-NY10854,NJDEP,PADEP	10/25/2016 14:08	10/26/2016 10:56	KH
56-55-3	Benzo(a)anthracene	ND		mg/kg dry	0.0461	0.0919	2	EPA 8270D Certifications: CTDOH,NELAC-NY10854,NJDEP,PADEP	10/25/2016 14:08	10/26/2016 10:56	KH
50-32-8	Benzo(a)pyrene	ND		mg/kg dry	0.0461	0.0919	2	EPA 8270D Certifications: CTDOH,NELAC-NY10854,NJDEP,PADEP	10/25/2016 14:08	10/26/2016 10:56	KH
205-99-2	Benzo(b)fluoranthene	ND		mg/kg dry	0.0461	0.0919	2	EPA 8270D Certifications: CTDOH,NELAC-NY10854,NJDEP,PADEP	10/25/2016 14:08	10/26/2016 10:56	KH
191-24-2	Benzo(g,h,i)perylene	ND		mg/kg dry	0.0461	0.0919	2	EPA 8270D Certifications: CTDOH,NELAC-NY10854,NJDEP,PADEP	10/25/2016 14:08	10/26/2016 10:56	KH
207-08-9	Benzo(k)fluoranthene	ND		mg/kg dry	0.0461	0.0919	2	EPA 8270D Certifications: CTDOH,NELAC-NY10854,NJDEP,PADEP	10/25/2016 14:08	10/26/2016 10:56	KH
65-85-0	Benzoic acid	ND		mg/kg dry	0.0461	0.0919	2	EPA 8270D Certifications: NELAC-NY10854,NJDEP,PADEP	10/25/2016 14:08	10/26/2016 10:56	KH
100-51-6	Benzyl alcohol	ND		mg/kg dry	0.0461	0.0919	2	EPA 8270D Certifications: NELAC-NY10854,NJDEP,PADEP	10/25/2016 14:08	10/26/2016 10:56	KH
85-68-7	Benzyl butyl phthalate	ND		mg/kg dry	0.0461	0.0919	2	EPA 8270D Certifications: CTDOH,NELAC-NY10854,NJDEP,PADEP	10/25/2016 14:08	10/26/2016 10:56	KH
111-91-1	Bis(2-chloroethoxy)methane	ND		mg/kg dry	0.0461	0.0919	2	EPA 8270D Certifications: CTDOH,NELAC-NY10854,NJDEP,PADEP	10/25/2016 14:08	10/26/2016 10:56	KH
111-44-4	Bis(2-chloroethyl)ether	ND		mg/kg dry	0.0461	0.0919	2	EPA 8270D Certifications: CTDOH,NELAC-NY10854,NJDEP,PADEP	10/25/2016 14:08	10/26/2016 10:56	KH



Sample Information

Client Sample ID: SB-03-3.0-3.5'

York Sample ID: 16J0783-03

York Project (SDG) No.
16J0783

Client Project ID
95th str sewer/water OEGS 15-008-0265

Matrix
Soil

Collection Date/Time
October 20, 2016 9:45 am

Date Received
10/21/2016

Semi-Volatiles, 8270 - Comprehensive

Log-in Notes: VOA-CONT

Sample Notes:

Sample Prepared by Method: EPA 3550C

CAS No.	Parameter	Result	Flag	Units	Reported to LOD/MDL	LOQ	Dilution	Reference Method	Date/Time Prepared	Date/Time Analyzed	Analyst
108-60-1	Bis(2-chloroisopropyl)ether	ND		mg/kg dry	0.0461	0.0919	2	EPA 8270D Certifications: CTDOH,NELAC-NY10854,NJDEP,PADEP	10/25/2016 14:08	10/26/2016 10:56	KH
117-81-7	Bis(2-ethylhexyl)phthalate	ND		mg/kg dry	0.0461	0.0919	2	EPA 8270D Certifications: CTDOH,NELAC-NY10854,NJDEP,PADEP	10/25/2016 14:08	10/26/2016 10:56	KH
105-60-2	Caprolactam	ND		mg/kg dry	0.0919	0.184	2	EPA 8270D Certifications: NELAC-NY10854,NJDEP,PADEP	10/25/2016 14:08	10/26/2016 10:56	KH
86-74-8	Carbazole	ND		mg/kg dry	0.0461	0.0919	2	EPA 8270D Certifications: CTDOH,NELAC-NY10854,NJDEP,PADEP	10/25/2016 14:08	10/26/2016 10:56	KH
218-01-9	Chrysene	ND		mg/kg dry	0.0461	0.0919	2	EPA 8270D Certifications: CTDOH,NELAC-NY10854,NJDEP,PADEP	10/25/2016 14:08	10/26/2016 10:56	KH
53-70-3	Dibenzo(a,h)anthracene	ND		mg/kg dry	0.0461	0.0919	2	EPA 8270D Certifications: CTDOH,NELAC-NY10854,NJDEP,PADEP	10/25/2016 14:08	10/26/2016 10:56	KH
132-64-9	Dibenzofuran	ND		mg/kg dry	0.0461	0.0919	2	EPA 8270D Certifications: CTDOH,NELAC-NY10854,NJDEP,PADEP	10/25/2016 14:08	10/26/2016 10:56	KH
66-2	Diethyl phthalate	ND		mg/kg dry	0.0461	0.0919	2	EPA 8270D Certifications: CTDOH,NELAC-NY10854,NJDEP,PADEP	10/25/2016 14:08	10/26/2016 10:56	KH
131-11-3	Dimethyl phthalate	ND		mg/kg dry	0.0461	0.0919	2	EPA 8270D Certifications: CTDOH,NELAC-NY10854,NJDEP,PADEP	10/25/2016 14:08	10/26/2016 10:56	KH
84-74-2	Di-n-butyl phthalate	ND		mg/kg dry	0.0461	0.0919	2	EPA 8270D Certifications: CTDOH,NELAC-NY10854,NJDEP,PADEP	10/25/2016 14:08	10/26/2016 10:56	KH
117-84-0	Di-n-octyl phthalate	ND		mg/kg dry	0.0461	0.0919	2	EPA 8270D Certifications: CTDOH,NELAC-NY10854,NJDEP,PADEP	10/25/2016 14:08	10/26/2016 10:56	KH
206-44-0	Fluoranthene	ND		mg/kg dry	0.0461	0.0919	2	EPA 8270D Certifications: CTDOH,NELAC-NY10854,NJDEP,PADEP	10/25/2016 14:08	10/26/2016 10:56	KH
86-73-7	Fluorene	ND		mg/kg dry	0.0461	0.0919	2	EPA 8270D Certifications: NELAC-NY10854,NJDEP,PADEP	10/25/2016 14:08	10/26/2016 10:56	KH
118-74-1	Hexachlorobenzene	ND		mg/kg dry	0.0461	0.0919	2	EPA 8270D Certifications: CTDOH,NELAC-NY10854,NJDEP,PADEP	10/25/2016 14:08	10/26/2016 10:56	KH
87-68-3	Hexachlorobutadiene	ND		mg/kg dry	0.0461	0.0919	2	EPA 8270D Certifications: CTDOH,NELAC-NY10854,NJDEP,PADEP	10/25/2016 14:08	10/26/2016 10:56	KH
77-47-4	Hexachlorocyclopentadiene	ND		mg/kg dry	0.0461	0.0919	2	EPA 8270D Certifications: CTDOH,NELAC-NY10854,NJDEP,PADEP	10/25/2016 14:08	10/26/2016 10:56	KH
67-72-1	Hexachloroethane	ND		mg/kg dry	0.0461	0.0919	2	EPA 8270D Certifications: CTDOH,NELAC-NY10854,NJDEP,PADEP	10/25/2016 14:08	10/26/2016 10:56	KH
193-39-5	Indeno(1,2,3-cd)pyrene	ND		mg/kg dry	0.0461	0.0919	2	EPA 8270D Certifications: CTDOH,NELAC-NY10854,NJDEP,PADEP	10/25/2016 14:08	10/26/2016 10:56	KH
78-59-1	Isophorone	ND		mg/kg dry	0.0461	0.0919	2	EPA 8270D Certifications: CTDOH,NELAC-NY10854,NJDEP,PADEP	10/25/2016 14:08	10/26/2016 10:56	KH
91-20-3	Naphthalene	ND		mg/kg dry	0.0461	0.0919	2	EPA 8270D Certifications: CTDOH,NELAC-NY10854,NJDEP,PADEP	10/25/2016 14:08	10/26/2016 10:56	KH
98-95-3	Nitrobenzene	ND		mg/kg dry	0.0461	0.0919	2	EPA 8270D Certifications: CTDOH,NELAC-NY10854,NJDEP,PADEP	10/25/2016 14:08	10/26/2016 10:56	KH
62-75-9	N-Nitrosodimethylamine	ND		mg/kg dry	0.0461	0.0919	2	EPA 8270D Certifications: CTDOH,NELAC-NY10854,NJDEP,PADEP	10/25/2016 14:08	10/26/2016 10:56	KH



Sample Information

Client Sample ID: **SB-03-3.0-3.5'** York Sample ID: **16J0783-03**
 York Project (SDG) No. **16J0783** Client Project ID **95th str sewer/water OEGS 15-008-0265** Matrix **Soil** Collection Date/Time **October 20, 2016 9:45 am** Date Received **10/21/2016**

Semi-Volatiles, 8270 - Comprehensive

Log-in Notes: VOA-CONT Sample Notes:

Sample Prepared by Method: EPA 3550C

CAS No.	Parameter	Result	Flag	Units	Reported to LOD/MDL	LOQ	Dilution	Reference Method	Date/Time Prepared	Date/Time Analyzed	Analyst
621-64-7	N-nitroso-di-n-propylamine	ND		mg/kg dry	0.0461	0.0919	2	EPA 8270D Certifications: CTDOH,NELAC-NY10854,NJDEP,PADEP	10/25/2016 14:08	10/26/2016 10:56	KH
86-30-6	N-Nitrosodiphenylamine	ND		mg/kg dry	0.0461	0.0919	2	EPA 8270D Certifications: CTDOH,NELAC-NY10854,NJDEP,PADEP	10/25/2016 14:08	10/26/2016 10:56	KH
87-86-5	Pentachlorophenol	ND		mg/kg dry	0.0461	0.0919	2	EPA 8270D Certifications: CTDOH,NELAC-NY10854,NJDEP,PADEP	10/25/2016 14:08	10/26/2016 10:56	KH
85-01-8	Phenanthrene	ND		mg/kg dry	0.0461	0.0919	2	EPA 8270D Certifications: CTDOH,NELAC-NY10854,NJDEP,PADEP	10/25/2016 14:08	10/26/2016 10:56	KH
108-95-2	Phenol	ND		mg/kg dry	0.0461	0.0919	2	EPA 8270D Certifications: CTDOH,NELAC-NY10854,NJDEP,PADEP	10/25/2016 14:08	10/26/2016 10:56	KH
129-00-0	Pyrene	ND		mg/kg dry	0.0461	0.0919	2	EPA 8270D Certifications: CTDOH,NELAC-NY10854,NJDEP,PADEP	10/25/2016 14:08	10/26/2016 10:56	KH
Surrogate Recoveries		Result	Acceptance Range								
367-12-4	Surrogate: 2-Fluorophenol	51.2 %	20-108								
4165-62-2	Surrogate: Phenol-d5	47.9 %	23-114								
4165-60-0	Surrogate: Nitrobenzene-d5	40.4 %	22-108								
321-60-8	Surrogate: 2-Fluorobiphenyl	47.8 %	21-113								
118-79-6	Surrogate: 2,4,6-Tribromophenol	61.0 %	19-110								
1718-51-0	Surrogate: Terphenyl-d14	44.1 %	24-116								

Pesticides, 8081 target list

Log-in Notes: VOA-CONT Sample Notes:

Sample Prepared by Method: EPA 3550C

CAS No.	Parameter	Result	Flag	Units	Reported to LOD/MDL	LOQ	Dilution	Reference Method	Date/Time Prepared	Date/Time Analyzed	Analyst
72-54-8	4,4'-DDD	ND		mg/kg dry	0.00182	0.00182	5	EPA 8081B Certifications: CTDOH,NELAC-NY10854,NJDEP,PADEP	10/24/2016 07:34	10/24/2016 19:10	AMC
72-55-9	4,4'-DDE	ND		mg/kg dry	0.00182	0.00182	5	EPA 8081B Certifications: CTDOH,NELAC-NY10854,NJDEP,PADEP	10/24/2016 07:34	10/24/2016 19:10	AMC
50-29-3	4,4'-DDT	ND		mg/kg dry	0.00182	0.00182	5	EPA 8081B Certifications: CTDOH,NELAC-NY10854,NJDEP,PADEP	10/24/2016 07:34	10/24/2016 19:10	AMC
309-00-2	Aldrin	ND		mg/kg dry	0.00182	0.00182	5	EPA 8081B Certifications: CTDOH,NELAC-NY10854,NJDEP,PADEP	10/24/2016 07:34	10/24/2016 19:10	AMC
319-84-6	alpha-BHC	ND		mg/kg dry	0.00182	0.00182	5	EPA 8081B Certifications: CTDOH,NELAC-NY10854,NJDEP,PADEP	10/24/2016 07:34	10/24/2016 19:10	AMC
5103-71-9	alpha-Chlordane	ND		mg/kg dry	0.00182	0.00182	5	EPA 8081B Certifications: NELAC-NY10854,NJDEP	10/24/2016 07:34	10/24/2016 19:10	AMC
319-85-7	beta-BHC	ND		mg/kg dry	0.00182	0.00182	5	EPA 8081B Certifications: CTDOH,NELAC-NY10854,NJDEP,PADEP	10/24/2016 07:34	10/24/2016 19:10	AMC
57-74-9	Chlordane, total	ND		mg/kg dry	0.0364	0.0364	5	EPA 8081B Certifications: CTDOH,NELAC-NY10854,NJDEP,PADEP	10/24/2016 07:34	10/24/2016 19:10	AMC
319-86-8	delta-BHC	ND		mg/kg dry	0.00182	0.00182	5	EPA 8081B Certifications: CTDOH,NELAC-NY10854,NJDEP,PADEP	10/24/2016 07:34	10/24/2016 19:10	AMC

HAZ-182



Sample Information

Client Sample ID: SB-03-3.0-3.5'

York Sample ID: 16J0783-03

York Project (SDG) No.
16J0783

Client Project ID
95th str sewer/water OEGS 15-008-0265

Matrix
Soil

Collection Date/Time
October 20, 2016 9:45 am

Date Received
10/21/2016

Pesticides, 8081 target list

Log-in Notes: VOA-CONT Sample Notes:

Sample Prepared by Method: EPA 3550C

CAS No.	Parameter	Result	Flag	Units	LOD/MDL	Reported to LOQ	Dilution	Reference Method	Date/Time Prepared	Date/Time Analyzed	Analyst
60-57-1	Dieldrin	ND		mg/kg dry	0.00182	0.00182	5	EPA 8081B Certifications: CTDOH,NELAC-NY10854,NJDEP,PADEP	10/24/2016 07:34	10/24/2016 19:10	AMC
959-98-8	Endosulfan I	ND		mg/kg dry	0.00182	0.00182	5	EPA 8081B Certifications: CTDOH,NELAC-NY10854,NJDEP,PADEP	10/24/2016 07:34	10/24/2016 19:10	AMC
33213-65-9	Endosulfan II	ND		mg/kg dry	0.00182	0.00182	5	EPA 8081B Certifications: CTDOH,NELAC-NY10854,NJDEP,PADEP	10/24/2016 07:34	10/24/2016 19:10	AMC
1031-07-8	Endosulfan sulfate	ND		mg/kg dry	0.00182	0.00182	5	EPA 8081B Certifications: CTDOH,NELAC-NY10854,NJDEP,PADEP	10/24/2016 07:34	10/24/2016 19:10	AMC
72-20-8	Endrin	ND		mg/kg dry	0.00182	0.00182	5	EPA 8081B Certifications: CTDOH,NELAC-NY10854,NJDEP,PADEP	10/24/2016 07:34	10/24/2016 19:10	AMC
7421-93-4	Endrin aldehyde	ND		mg/kg dry	0.00182	0.00182	5	EPA 8081B Certifications: CTDOH,NELAC-NY10854,NJDEP,PADEP	10/24/2016 07:34	10/24/2016 19:10	AMC
53494-70-5	Endrin ketone	ND		mg/kg dry	0.00182	0.00182	5	EPA 8081B Certifications: CTDOH,NELAC-NY10854,NJDEP,PADEP	10/24/2016 07:34	10/24/2016 19:10	AMC
89-9	gamma-BHC (Lindane)	ND		mg/kg dry	0.00182	0.00182	5	EPA 8081B Certifications: CTDOH,NELAC-NY10854,NJDEP,PADEP	10/24/2016 07:34	10/24/2016 19:10	AMC
5566-34-7	gamma-Chlordane	ND		mg/kg dry	0.00182	0.00182	5	EPA 8081B Certifications: NELAC-NY10854,NJDEP	10/24/2016 07:34	10/24/2016 19:10	AMC
76-44-8	Heptachlor	ND		mg/kg dry	0.00182	0.00182	5	EPA 8081B Certifications: CTDOH,NELAC-NY10854,NJDEP,PADEP	10/24/2016 07:34	10/24/2016 19:10	AMC
1024-57-3	Heptachlor epoxide	ND		mg/kg dry	0.00182	0.00182	5	EPA 8081B Certifications: CTDOH,NELAC-NY10854,NJDEP,PADEP	10/24/2016 07:34	10/24/2016 19:10	AMC
72-43-5	Methoxychlor	ND		mg/kg dry	0.00909	0.00909	5	EPA 8081B Certifications: CTDOH,NELAC-NY10854,NJDEP,PADEP	10/24/2016 07:34	10/24/2016 19:10	AMC
8001-35-2	Toxaphene	ND		mg/kg dry	0.0920	0.0920	5	EPA 8081B Certifications: CTDOH,NELAC-NY10854,NJDEP,PADEP	10/24/2016 07:34	10/24/2016 19:10	AMC
Surrogate Recoveries		Result	Acceptance Range								
2051-24-3	Surrogate: Decachlorobiphenyl	143 %	30-150								
877-09-8	Surrogate: Tetrachloro-m-xylene	110 %	30-150								

Polychlorinated Biphenyls (PCB)

Log-in Notes: VOA-CONT Sample Notes:

Sample Prepared by Method: EPA 3550C

CAS No.	Parameter	Result	Flag	Units	LOD/MDL	Reported to LOQ	Dilution	Reference Method	Date/Time Prepared	Date/Time Analyzed	Analyst
12674-11-2	Aroclor 1016	ND		mg/kg dry	0.0184	0.0184	1	EPA 8082A Certifications: NELAC-NY10854,CTDOH,NJDEP,PADEP	10/24/2016 07:34	10/24/2016 20:01	AMC
11104-28-2	Aroclor 1221	ND		mg/kg dry	0.0184	0.0184	1	EPA 8082A Certifications: NELAC-NY10854,CTDOH,NJDEP,PADEP	10/24/2016 07:34	10/24/2016 20:01	AMC
11141-16-5	Aroclor 1232	ND		mg/kg dry	0.0184	0.0184	1	EPA 8082A Certifications: NELAC-NY10854,CTDOH,NJDEP,PADEP	10/24/2016 07:34	10/24/2016 20:01	AMC
921-9	Aroclor 1242	ND		mg/kg dry	0.0184	0.0184	1	EPA 8082A Certifications: NELAC-NY10854,CTDOH,NJDEP,PADEP	10/24/2016 07:34	10/24/2016 20:01	AMC

HA2-183



Sample Information

Client Sample ID: SB-03-3.0-3.5'

York Sample ID: 16J0783-03

York Project (SDG) No.
16J0783

Client Project ID
95th str sewer/water OEGS 15-008-0265

Matrix
Soil

Collection Date/Time
October 20, 2016 9:45 am

Date Received
10/21/2016

Polychlorinated Biphenyls (PCB)

Log-in Notes: VOA-CONT

Sample Notes:

Sample Prepared by Method: EPA 3550C

CAS No.	Parameter	Result	Flag	Units	LOD/MDL	Reported to LOQ	Dilution	Reference Method	Date/Time Prepared	Date/Time Analyzed	Analyst
12672-29-6	Aroclor 1248	ND		mg/kg dry	0.0184	0.0184	1	EPA 8082A Certifications: NELAC-NY10854,CTDOH,NJDEP,PADEP	10/24/2016 07:34	10/24/2016 20:01	AMC
11097-69-1	Aroclor 1254	ND		mg/kg dry	0.0184	0.0184	1	EPA 8082A Certifications: NELAC-NY10854,CTDOH,NJDEP,PADEP	10/24/2016 07:34	10/24/2016 20:01	AMC
11096-82-5	Aroclor 1260	ND		mg/kg dry	0.0184	0.0184	1	EPA 8082A Certifications: NELAC-NY10854,CTDOH,NJDEP,PADEP	10/24/2016 07:34	10/24/2016 20:01	AMC
1336-36-3	* Total PCBs	ND		mg/kg dry	0.0184	0.0184	1	EPA 8082A Certifications:	10/24/2016 07:34	10/24/2016 20:01	AMC
Surrogate Recoveries		Result	Acceptance Range								
877-09-8	Surrogate: Tetrachloro-m-xylene	110 %	30-140								
2051-24-3	Surrogate: Decachlorobiphenyl	81.0 %	30-140								

Metals, Target Analyte

Log-in Notes: VOA-CONT

Sample Notes:

Sample Prepared by Method: EPA 3050B

CAS No.	Parameter	Result	Flag	Units	LOD/MDL	Reported to LOQ	Dilution	Reference Method	Date/Time Prepared	Date/Time Analyzed	Analyst
7429-90-5	Aluminum	2010		mg/kg dry	5.51	5.51	1	EPA 6010C Certifications: CTDOH,NELAC-NY10854,NJDEP,PADEP	10/24/2016 11:09	10/24/2016 21:06	KV
7440-36-0	Antimony	ND		mg/kg dry	0.551	0.551	1	EPA 6010C Certifications: CTDOH,NELAC-NY10854,NJDEP,PADEP	10/24/2016 11:09	10/24/2016 21:06	KV
7440-38-2	Arsenic	1.18		mg/kg dry	1.10	1.10	1	EPA 6010C Certifications: CTDOH,NELAC-NY10854,NJDEP,PADEP	10/24/2016 11:09	10/24/2016 21:06	KV
7440-39-3	Barium	5.74		mg/kg dry	1.10	1.10	1	EPA 6010C Certifications: CTDOH,NELAC-NY10854,NJDEP,PADEP	10/24/2016 11:09	10/24/2016 21:06	KV
7440-41-7	Beryllium	0.134		mg/kg dry	0.110	0.110	1	EPA 6010C Certifications: CTDOH,NELAC-NY10854,NJDEP,PADEP	10/24/2016 11:09	10/24/2016 21:06	KV
7440-43-9	Cadmium	ND		mg/kg dry	0.331	0.331	1	EPA 6010C Certifications: CTDOH,NELAC-NY10854,NJDEP,PADEP	10/24/2016 11:09	10/24/2016 21:06	KV
7440-70-2	Calcium	371		mg/kg dry	0.551	5.51	1	EPA 6010C Certifications: CTDOH,NELAC-NY10854,NJDEP,PADEP	10/24/2016 11:09	10/24/2016 21:06	KV
7440-47-3	Chromium	3.94		mg/kg dry	0.551	0.551	1	EPA 6010C Certifications: CTDOH,NELAC-NY10854,NJDEP,PADEP	10/24/2016 11:09	10/24/2016 21:06	KV
7440-48-4	Cobalt	1.72		mg/kg dry	0.551	0.551	1	EPA 6010C Certifications: CTDOH,NELAC-NY10854,NJDEP,PADEP	10/24/2016 11:09	10/24/2016 21:06	KV
7440-50-8	Copper	5.98		mg/kg dry	0.551	0.551	1	EPA 6010C Certifications: CTDOH,NELAC-NY10854,NJDEP,PADEP	10/24/2016 11:09	10/24/2016 21:06	KV
7439-89-6	Iron	3880		mg/kg dry	2.20	2.20	1	EPA 6010C Certifications: CTDOH,NELAC-NY10854,NJDEP,PADEP	10/24/2016 11:09	10/24/2016 21:06	KV
7439-92-1	Lead	1.28		mg/kg dry	0.331	0.331	1	EPA 6010C Certifications: CTDOH,NELAC-NY10854,NJDEP,PADEP	10/24/2016 11:09	10/24/2016 21:06	KV
7439-95-4	Magnesium	910		mg/kg dry	5.51	5.51	1	EPA 6010C Certifications: CTDOH,NELAC-NY10854,NJDEP,PADEP	10/24/2016 11:09	10/24/2016 21:06	KV
7439-96-5	Manganese	29.4		mg/kg dry	0.551	0.551	1	EPA 6010C Certifications: CTDOH,NELAC-NY10854,NJDEP,PADEP	10/24/2016 11:09	10/24/2016 21:06	KV

HAZ-184



Sample Information

Client Sample ID: SB-03-3.0-3.5'

York Sample ID: 16J0783-03

York Project (SDG) No.
16J0783

Client Project ID
95th str sewer/water OEGS 15-008-0265

Matrix
Soil

Collection Date/Time
October 20, 2016 9:45 am

Date Received
10/21/2016

Metals, Target Analyte

Log-in Notes: VOA-CONT

Sample Notes:

Sample Prepared by Method: EPA 3050B

CAS No.	Parameter	Result	Flag	Units	LOD/MDL	Reported to LOQ	Dilution	Reference Method	Date/Time Prepared	Date/Time Analyzed	Analyst
7440-02-0	Nickel	6.16		mg/kg dry	0.551	0.551	1	EPA 6010C Certifications: CTDOH,NELAC-NY10854,NJDEP,PADEP	10/24/2016 11:09	10/24/2016 21:06	KV
7440-09-7	Potassium	271		mg/kg dry	5.51	5.51	1	EPA 6010C Certifications: CTDOH,NELAC-NY10854,NJDEP,PADEP	10/24/2016 11:09	10/24/2016 21:06	KV
7782-49-2	Selenium	ND		mg/kg dry	1.10	1.10	1	EPA 6010C Certifications: CTDOH,NELAC-NY10854,NJDEP,PADEP	10/24/2016 11:09	10/24/2016 21:06	KV
7440-22-4	Silver	ND		mg/kg dry	0.551	0.551	1	EPA 6010C Certifications: CTDOH,NELAC-NY10854,NJDEP,PADEP	10/24/2016 11:09	10/24/2016 21:06	KV
7440-23-5	Sodium	166		mg/kg dry	11.0	11.0	1	EPA 6010C Certifications: CTDOH,NELAC-NY10854,NJDEP	10/24/2016 11:09	10/24/2016 21:06	KV
7440-28-0	Thallium	ND		mg/kg dry	1.10	1.10	1	EPA 6010C Certifications: CTDOH,NELAC-NY10854,NJDEP,PADEP	10/24/2016 11:09	10/24/2016 21:06	KV
7440-62-2	Vanadium	6.55		mg/kg dry	1.10	1.10	1	EPA 6010C Certifications: CTDOH,NELAC-NY10854,NJDEP,PADEP	10/24/2016 11:09	10/24/2016 21:06	KV
7440-66-6	Zinc	17.3		mg/kg dry	1.10	1.10	1	EPA 6010C Certifications: CTDOH,NELAC-NY10854,NJDEP,PADEP	10/24/2016 11:09	10/24/2016 21:06	KV

Mercury by 7473

Log-in Notes: VOA-CONT

Sample Notes:

Sample Prepared by Method: EPA 7473 soil

CAS No.	Parameter	Result	Flag	Units	LOD/MDL	Reported to LOQ	Dilution	Reference Method	Date/Time Prepared	Date/Time Analyzed	Analyst
7439-97-6	Mercury	ND		mg/kg dry	0.0331	0.0331	1	EPA 7473 Certifications: CTDOH,NJDEP,NELAC-NY10854,PADEP	10/24/2016 06:29	10/24/2016 12:16	ALD

Total Solids

Log-in Notes: VOA-CONT

Sample Notes:

Sample Prepared by Method: % Solids Prep

CAS No.	Parameter	Result	Flag	Units	LOD/MDL	Reported to LOQ	Dilution	Reference Method	Date/Time Prepared	Date/Time Analyzed	Analyst
solids	* % Solids	90.8		%	0.100	0.100	1	SM 2540G Certifications: CTDOH	10/25/2016 08:59	10/25/2016 12:26	TJM

Sample Information

Client Sample ID: SB-03-COMP

York Sample ID: 16J0783-04

York Project (SDG) No.
16J0783

Client Project ID
95th str sewer/water OEGS 15-008-0265

Matrix
Soil

Collection Date/Time
October 20, 2016 9:50 am

Date Received
10/21/2016

Total Petroleum Hydrocarbons-DRO (C10-C28)

Log-in Notes:

Sample Notes:

Sample Prepared by Method: EPA 3550C

CAS No.	Parameter	Result	Flag	Units	LOD/MDL	Reported to LOQ	Dilution	Reference Method	Date/Time Prepared	Date/Time Analyzed	Analyst
120 RESEARCH DRIVE	STRATFORD, CT 06615						(203) 325-1371		FAX (203) 357-0166		

HAZ-185



Sample Information

Client Sample ID: SB-03-COMP **York Sample ID:** 16J0783-04
York Project (SDG) No. 16J0783 **Client Project ID** 95th str sewer/water OEGS 15-008-0265 **Matrix** Soil **Collection Date/Time** October 20, 2016 9:50 am **Date Received** 10/21/2016

Total Petroleum Hydrocarbons-DRO (C10-C28)

Log-in Notes:

Sample Notes:

Sample Prepared by Method: EPA 3550C

CAS No.	Parameter	Result	Flag	Units	LOD/MDL	Reported to LOQ	Dilution	Reference Method	Date/Time Prepared	Date/Time Analyzed	Analyst
	Total Petroleum Hydrocarbons-DRO	34.3		mg/kg dry	3.89	11.4	1	EPA 8015D	10/25/2016 14:10	10/26/2016 21:06	AMC
	Surrogate Recoveries	Result			Acceptance Range			Certifications: NELAC-NY10854,NJDEP,PADEP			
638-68-6	Surrogate: Triacontane	68.2 %			30-150						

Total Petroleum Hydrocarbons-GRO (C5-C10)

Log-in Notes:

Sample Notes: VOA-CONT

Sample Prepared by Method: EPA 5035A

CAS No.	Parameter	Result	Flag	Units	LOD/MDL	Reported to LOQ	Dilution	Reference Method	Date/Time Prepared	Date/Time Analyzed	Analyst
	Total Petroleum Hydrocarbons-GRO	ND		mg/kg dry	45.8	91.5	100	EPA 8015D	10/27/2016 12:16	10/27/2016 17:37	OW
	Surrogate Recoveries	Result			Acceptance Range			Certifications: NELAC-NY10854,NJDEP,PADEP			
460-00-4	Surrogate: p-Bromofluorobenzene	92.0 %			70-130						

Metals, TCLP RCRA

Log-in Notes:

Sample Notes:

Sample Prepared by Method: EPA 3015A/1311

CAS No.	Parameter	Result	Flag	Units	LOD/MDL	Reported to LOQ	Dilution	Reference Method	Date/Time Prepared	Date/Time Analyzed	Analyst
7440-38-2	Arsenic	ND		mg/L	0.004	0.004	1	EPA 6010C/1311	10/25/2016 12:41	10/25/2016 20:31	KV
								Certifications: CTDOH,NELAC-NY10854,NJDEP,PADEP			
7440-39-3	Barium	0.119		mg/L	0.011	0.011	1	EPA 6010C/1311	10/25/2016 12:41	10/25/2016 20:31	KV
								Certifications: CTDOH,NELAC-NY10854,NJDEP,PADEP			
7440-43-9	Cadmium	ND		mg/L	0.003	0.003	1	EPA 6010C/1311	10/25/2016 12:41	10/25/2016 20:31	KV
								Certifications: CTDOH,NELAC-NY10854,NJDEP,PADEP			
7440-47-3	Chromium	ND		mg/L	0.006	0.006	1	EPA 6010C/1311	10/25/2016 12:41	10/25/2016 20:31	KV
								Certifications: CTDOH,NELAC-NY10854,NJDEP,PADEP			
7439-92-1	Lead	0.008		mg/L	0.003	0.003	1	EPA 6010C/1311	10/25/2016 12:41	10/25/2016 20:31	KV
								Certifications: CTDOH,NELAC-NY10854,NJDEP,PADEP			
7782-49-2	Selenium	ND		M-SeT C mg/L	0.011	0.011	1	EPA 6010C/1311	10/25/2016 12:41	10/25/2016 20:31	KV
								Certifications: CTDOH,NELAC-NY10854,NJDEP,PADEP			
7440-22-4	Silver	ND		mg/L	0.006	0.006	1	EPA 6010C/1311	10/25/2016 12:41	10/25/2016 20:31	KV
								Certifications: CTDOH,NELAC-NY10854,NJDEP,PADEP			

Mercury TCLP by 7473

Log-in Notes:

Sample Notes:

Sample Prepared by Method: EPA 7473 water

CAS No.	Parameter	Result	Flag	Units	LOD/MDL	Reported to LOQ	Dilution	Reference Method	Date/Time Prepared	Date/Time Analyzed	Analyst
7439-97-6	Mercury	ND		mg/L	0.0000390	0.000200	1	EPA 7473/1311	10/26/2016 06:18	10/26/2016 11:23	ALD
								Certifications: CTDOH,NJDEP,PADEP,NELAC-NY10854			

Ignitability

Log-in Notes:

Sample Notes:

HAZ-186



Sample Information

Client Sample ID: SB-03-COMP

York Sample ID: 16J0783-04

York Project (SDG) No. 16J0783 Client Project ID 95th str sewer/water OEGS 15-008-0265 Matrix Soil Collection Date/Time October 20, 2016 9:50 am Date Received 10/21/2016

Sample Prepared by Method: Analysis Preparation

Table with 12 columns: CAS No., Parameter, Result, Flag, Units, LOD/MDL, Reported to LOQ, Dilution, Reference Method, Date/Time Prepared, Date/Time Analyzed, Analyst. Row 1: * Ignitability, Non-Ignit., -, 1, 1, 1, EPA 1030P, 10/21/2016 23:59, 10/22/2016 00:15, AA. Certifications: CTDOH,PADEP

Total Solids

Log-in Notes:

Sample Notes:

Sample Prepared by Method: % Solids Prep

Table with 12 columns: CAS No., Parameter, Result, Flag, Units, LOD/MDL, Reported to LOQ, Dilution, Reference Method, Date/Time Prepared, Date/Time Analyzed, Analyst. Row 1: solids, * % Solids, 87.4, %, 0.100, 0.100, 1, SM 2540G, 10/25/2016 08:59, 10/25/2016 12:26, TJM. Certifications: CTDOH

Corrosivity

Log-in Notes:

Sample Notes:

Sample Prepared by Method: Analysis Preparation

Table with 12 columns: CAS No., Parameter, Result, Flag, Units, LOD/MDL, Reported to LOQ, Dilution, Reference Method, Date/Time Prepared, Date/Time Analyzed, Analyst. Row 1: pH, 6.82, HT-pH, pH units, 0.500, 1, EPA 9045D, 10/25/2016 09:02, 10/25/2016 16:12, DM1. Certifications: NELAC-NY10854,CTDOH,PADEP

Reactivity-Cyanide

Log-in Notes:

Sample Notes:

Sample Prepared by Method: Analysis Preparation

Table with 12 columns: CAS No., Parameter, Result, Flag, Units, LOD/MDL, Reported to LOQ, Dilution, Reference Method, Date/Time Prepared, Date/Time Analyzed, Analyst. Row 1: * Reactivity - Cyanide, ND, mg/kg, 0.250, 0.250, 1, EPA SW-846 Ch.7.3.3, 10/28/2016 15:05, 10/28/2016 16:39, AD. Certifications: CTDOH,PADEP

Reactivity-Sulfide

Log-in Notes:

Sample Notes:

Sample Prepared by Method: Analysis Preparation

Table with 12 columns: CAS No., Parameter, Result, Flag, Units, LOD/MDL, Reported to LOQ, Dilution, Reference Method, Date/Time Prepared, Date/Time Analyzed, Analyst. Row 1: * Reactivity - Sulfide, ND, mg/kg, 15.0, 15.0, 1, EPA SW-846 Ch.7.3.4, 10/28/2016 15:06, 10/28/2016 16:39, AD. Certifications: CTDOH,PADEP

TCLP Extraction for METALS EPA 1311

Log-in Notes:

Sample Notes:

Sample Prepared by Method: EPA SW 846-1311 TCLP ext. for metals

Table with 12 columns: CAS No., Parameter, Result, Flag, Units, LOD/MDL, Reported to LOQ, Dilution, Reference Method, Date/Time Prepared, Date/Time Analyzed, Analyst. Row 1: TCLP Extraction, Completed, N/A, 1.00, 1.00, 1, EPA 1311, 10/24/2016 17:36, 10/25/2016 13:48, TJM. Certifications: NELAC-NY10854,CTDOH,NJDEP,PADEP

Sample Information

Client Sample ID: SB-02-0-2.0'

York Sample ID: 16J0783-05

York Project (SDG) No. 16J0783 Client Project ID 95th str sewer/water OEGS 15-008-0265 Matrix Soil Collection Date/Time October 20, 2016 10:40 am Date Received 10/21/2016

HAZ-187



Sample Information

Client Sample ID: SB-02-0-2.0' **York Sample ID:** 16J0783-05
York Project (SDG) No. 16J0783 **Client Project ID** 95th str sewer/water OEGS 15-008-0265 **Matrix** Soil **Collection Date/Time** October 20, 2016 10:40 am **Date Received** 10/21/2016

Volatile Organics, 8260 - Comprehensive

Log-in Notes: VOA-CONT **Sample Notes:**

Sample Prepared by Method: EPA 5035A

CAS No.	Parameter	Result	Flag	Units	Reported to LOD/MDL	LOQ	Dilution	Reference Method	Date/Time Prepared	Date/Time Analyzed	Analyst
630-20-6	1,1,1,2-Tetrachloroethane	ND		mg/kg dry	0.0026	0.0053	1	EPA 8260C Certifications: CTDOH,NELAC-NY10854,NJDEP	10/26/2016 15:30	10/27/2016 01:25	BK
71-55-6	1,1,1-Trichloroethane	ND		mg/kg dry	0.0026	0.0053	1	EPA 8260C Certifications: CTDOH,NELAC-NY10854,NJDEP,PADEP	10/26/2016 15:30	10/27/2016 01:25	BK
79-34-5	1,1,2,2-Tetrachloroethane	ND		mg/kg dry	0.0026	0.0053	1	EPA 8260C Certifications: CTDOH,NELAC-NY10854,NJDEP,PADEP	10/26/2016 15:30	10/27/2016 01:25	BK
76-13-1	1,1,2-Trichloro-1,2,2-trifluoroethane (Freon 113)	ND		mg/kg dry	0.0026	0.0053	1	EPA 8260C Certifications: CTDOH,NELAC-NY10854,NJDEP	10/26/2016 15:30	10/27/2016 01:25	BK
79-00-5	1,1,2-Trichloroethane	ND		mg/kg dry	0.0026	0.0053	1	EPA 8260C Certifications: CTDOH,NELAC-NY10854,NJDEP,PADEP	10/26/2016 15:30	10/27/2016 01:25	BK
75-34-3	1,1-Dichloroethane	ND		mg/kg dry	0.0026	0.0053	1	EPA 8260C Certifications: CTDOH,NELAC-NY10854,NJDEP,PADEP	10/26/2016 15:30	10/27/2016 01:25	BK
75-35-4	1,1-Dichloroethylene	ND		mg/kg dry	0.0026	0.0053	1	EPA 8260C Certifications: CTDOH,NELAC-NY10854,NJDEP,PADEP	10/26/2016 15:30	10/27/2016 01:25	BK
87-61-6	1,2,3-Trichlorobenzene	ND		mg/kg dry	0.0026	0.0053	1	EPA 8260C Certifications: NELAC-NY10854,NJDEP	10/26/2016 15:30	10/27/2016 01:25	BK
96-18-4	1,2,3-Trichloropropane	ND		mg/kg dry	0.0026	0.0053	1	EPA 8260C Certifications: NELAC-NY10854,NJDEP	10/26/2016 15:30	10/27/2016 01:25	BK
120-82-1	1,2,4-Trichlorobenzene	ND		mg/kg dry	0.0026	0.0053	1	EPA 8260C Certifications: NELAC-NY10854,NJDEP	10/26/2016 15:30	10/27/2016 01:25	BK
95-63-6	1,2,4-Trimethylbenzene	ND		mg/kg dry	0.0026	0.0053	1	EPA 8260C Certifications: CTDOH,NELAC-NY10854,NJDEP	10/26/2016 15:30	10/27/2016 01:25	BK
96-12-8	1,2-Dibromo-3-chloropropane	ND		mg/kg dry	0.0026	0.0053	1	EPA 8260C Certifications: CTDOH,NELAC-NY10854,NJDEP	10/26/2016 15:30	10/27/2016 01:25	BK
106-93-4	1,2-Dibromoethane	ND		mg/kg dry	0.0026	0.0053	1	EPA 8260C Certifications: CTDOH,NELAC-NY10854,NJDEP	10/26/2016 15:30	10/27/2016 01:25	BK
95-50-1	1,2-Dichlorobenzene	ND		mg/kg dry	0.0026	0.0053	1	EPA 8260C Certifications: CTDOH,NELAC-NY10854,NJDEP,PADEP	10/26/2016 15:30	10/27/2016 01:25	BK
107-06-2	1,2-Dichloroethane	ND		mg/kg dry	0.0026	0.0053	1	EPA 8260C Certifications: CTDOH,NELAC-NY10854,NJDEP,PADEP	10/26/2016 15:30	10/27/2016 01:25	BK
78-87-5	1,2-Dichloropropane	ND		mg/kg dry	0.0026	0.0053	1	EPA 8260C Certifications: CTDOH,NELAC-NY10854,NJDEP	10/26/2016 15:30	10/27/2016 01:25	BK
108-67-8	1,3,5-Trimethylbenzene	ND		mg/kg dry	0.0026	0.0053	1	EPA 8260C Certifications: CTDOH,NELAC-NY10854,NJDEP	10/26/2016 15:30	10/27/2016 01:25	BK
541-73-1	1,3-Dichlorobenzene	ND		mg/kg dry	0.0026	0.0053	1	EPA 8260C Certifications: CTDOH,NELAC-NY10854,NJDEP,PADEP	10/26/2016 15:30	10/27/2016 01:25	BK
106-46-7	1,4-Dichlorobenzene	ND		mg/kg dry	0.0026	0.0053	1	EPA 8260C Certifications: CTDOH,NELAC-NY10854,NJDEP,PADEP	10/26/2016 15:30	10/27/2016 01:25	BK
123-91-1	1,4-Dioxane	ND		mg/kg dry	0.053	0.11	1	EPA 8260C Certifications: NELAC-NY10854,NJDEP	10/26/2016 15:30	10/27/2016 01:25	BK
78-93-3	2-Butanone	ND		mg/kg dry	0.0026	0.0053	1	EPA 8260C Certifications: CTDOH,NELAC-NY10854,NJDEP	10/26/2016 15:30	10/27/2016 01:25	BK

HAZ-188



Sample Information

Client Sample ID: SB-02-0-2.0'

York Sample ID: 16J0783-05

York Project (SDG) No.
16J0783

Client Project ID
95th str sewer/water OEGS 15-008-0265

Matrix
Soil

Collection Date/Time
October 20, 2016 10:40 am

Date Received
10/21/2016

Volatile Organics, 8260 - Comprehensive

Log-in Notes: VOA-CONT Sample Notes:

Sample Prepared by Method: EPA 5035A

CAS No.	Parameter	Result	Flag	Units	Reported to LOD/MDL	LOQ	Dilution	Reference Method	Date/Time Prepared	Date/Time Analyzed	Analyst
591-78-6	2-Hexanone	ND		mg/kg dry	0.0026	0.0053	1	EPA 8260C Certifications: CTDOH,NELAC-NY10854,NJDEP	10/26/2016 15:30	10/27/2016 01:25	BK
108-10-1	4-Methyl-2-pentanone	ND		mg/kg dry	0.0026	0.0053	1	EPA 8260C Certifications: CTDOH,NELAC-NY10854,NJDEP	10/26/2016 15:30	10/27/2016 01:25	BK
67-64-1	Acetone	ND		mg/kg dry	0.0053	0.011	1	EPA 8260C Certifications: CTDOH,NELAC-NY10854,NJDEP	10/26/2016 15:30	10/27/2016 01:25	BK
107-02-8	Acrolein	ND		mg/kg dry	0.0053	0.011	1	EPA 8260C Certifications: CTDOH,NELAC-NY10854,NJDEP	10/26/2016 15:30	10/27/2016 01:25	BK
107-13-1	Acrylonitrile	ND		mg/kg dry	0.0026	0.0053	1	EPA 8260C Certifications: CTDOH,NELAC-NY10854,NJDEP	10/26/2016 15:30	10/27/2016 01:25	BK
71-43-2	Benzene	ND		mg/kg dry	0.0026	0.0053	1	EPA 8260C Certifications: CTDOH,NELAC-NY10854,NJDEP,PADEP	10/26/2016 15:30	10/27/2016 01:25	BK
74-97-5	Bromochloromethane	ND		mg/kg dry	0.0026	0.0053	1	EPA 8260C Certifications: NELAC-NY10854,NJDEP	10/26/2016 15:30	10/27/2016 01:25	BK
74-27-4	Bromodichloromethane	ND		mg/kg dry	0.0026	0.0053	1	EPA 8260C Certifications: CTDOH,NELAC-NY10854,NJDEP,PADEP	10/26/2016 15:30	10/27/2016 01:25	BK
75-25-2	Bromoform	ND		mg/kg dry	0.0026	0.0053	1	EPA 8260C Certifications: CTDOH,NELAC-NY10854,NJDEP,PADEP	10/26/2016 15:30	10/27/2016 01:25	BK
74-83-9	Bromomethane	ND		mg/kg dry	0.0026	0.0053	1	EPA 8260C Certifications: CTDOH,NELAC-NY10854,NJDEP,PADEP	10/26/2016 15:30	10/27/2016 01:25	BK
75-15-0	Carbon disulfide	ND		mg/kg dry	0.0026	0.0053	1	EPA 8260C Certifications: CTDOH,NELAC-NY10854,NJDEP	10/26/2016 15:30	10/27/2016 01:25	BK
56-23-5	Carbon tetrachloride	ND		mg/kg dry	0.0026	0.0053	1	EPA 8260C Certifications: CTDOH,NELAC-NY10854,NJDEP,PADEP	10/26/2016 15:30	10/27/2016 01:25	BK
108-90-7	Chlorobenzene	ND		mg/kg dry	0.0026	0.0053	1	EPA 8260C Certifications: CTDOH,NELAC-NY10854,NJDEP,PADEP	10/26/2016 15:30	10/27/2016 01:25	BK
75-00-3	Chloroethane	ND		mg/kg dry	0.0026	0.0053	1	EPA 8260C Certifications: CTDOH,NELAC-NY10854,NJDEP,PADEP	10/26/2016 15:30	10/27/2016 01:25	BK
67-66-3	Chloroform	ND		mg/kg dry	0.0026	0.0053	1	EPA 8260C Certifications: CTDOH,NELAC-NY10854,NJDEP,PADEP	10/26/2016 15:30	10/27/2016 01:25	BK
74-87-3	Chloromethane	ND		mg/kg dry	0.0026	0.0053	1	EPA 8260C Certifications: CTDOH,NELAC-NY10854,NJDEP,PADEP	10/26/2016 15:30	10/27/2016 01:25	BK
156-59-2	cis-1,2-Dichloroethylene	ND		mg/kg dry	0.0026	0.0053	1	EPA 8260C Certifications: CTDOH,NELAC-NY10854,NJDEP	10/26/2016 15:30	10/27/2016 01:25	BK
10061-01-5	cis-1,3-Dichloropropylene	ND		mg/kg dry	0.0026	0.0053	1	EPA 8260C Certifications: CTDOH,NELAC-NY10854,NJDEP,PADEP	10/26/2016 15:30	10/27/2016 01:25	BK
110-82-7	Cyclohexane	ND		mg/kg dry	0.0026	0.0053	1	EPA 8260C Certifications: NELAC-NY10854,NJDEP	10/26/2016 15:30	10/27/2016 01:25	BK
124-48-1	Dibromochloromethane	ND		mg/kg dry	0.0026	0.0053	1	EPA 8260C Certifications: NELAC-NY10854,NJDEP,PADEP	10/26/2016 15:30	10/27/2016 01:25	BK
75-95-3	Dibromomethane	ND		mg/kg dry	0.0026	0.0053	1	EPA 8260C Certifications: NELAC-NY10854,NJDEP	10/26/2016 15:30	10/27/2016 01:25	BK
75-71-8	Dichlorodifluoromethane	ND		mg/kg dry	0.0026	0.0053	1	EPA 8260C Certifications: NELAC-NY10854,NJDEP	10/26/2016 15:30	10/27/2016 01:25	BK

HAZ-189



Sample Information

Client Sample ID: SB-02-0-2.0'

York Sample ID: 16J0783-05

York Project (SDG) No.
16J0783

Client Project ID
95th str sewer/water OEGS 15-008-0265

Matrix
Soil

Collection Date/Time
October 20, 2016 10:40 am

Date Received
10/21/2016

Volatile Organics, 8260 - Comprehensive

Log-in Notes: VOA-CONT

Sample Notes:

Sample Prepared by Method: EPA 5035A

CAS No.	Parameter	Result	Flag	Units	Reported to LOD/MDL	LOQ	Dilution	Reference Method	Date/Time Prepared	Date/Time Analyzed	Analyst
100-41-4	Ethyl Benzene	ND		mg/kg dry	0.0026	0.0053	1	EPA 8260C Certifications: CTDOH,NELAC-NY10854,NJDEP,PADEP	10/26/2016 15:30	10/27/2016 01:25	BK
87-68-3	Hexachlorobutadiene	ND		mg/kg dry	0.0026	0.0053	1	EPA 8260C Certifications: NELAC-NY10854,NJDEP	10/26/2016 15:30	10/27/2016 01:25	BK
98-82-8	Isopropylbenzene	ND		mg/kg dry	0.0026	0.0053	1	EPA 8260C Certifications: CTDOH,NELAC-NY10854,NJDEP	10/26/2016 15:30	10/27/2016 01:25	BK
79-20-9	Methyl acetate	ND		mg/kg dry	0.0026	0.0053	1	EPA 8260C Certifications: NELAC-NY10854,NJDEP	10/26/2016 15:30	10/27/2016 01:25	BK
1634-04-4	Methyl tert-butyl ether (MTBE)	ND		mg/kg dry	0.0026	0.0053	1	EPA 8260C Certifications: CTDOH,NELAC-NY10854,NJDEP	10/26/2016 15:30	10/27/2016 01:25	BK
108-87-2	Methylcyclohexane	ND		mg/kg dry	0.0026	0.0053	1	EPA 8260C Certifications: NELAC-NY10854,NJDEP	10/26/2016 15:30	10/27/2016 01:25	BK
75-09-2	Methylene chloride	ND		mg/kg dry	0.0053	0.011	1	EPA 8260C Certifications: CTDOH,NELAC-NY10854,NJDEP,PADEP	10/26/2016 15:30	10/27/2016 01:25	BK
104-51-8	n-Butylbenzene	ND		mg/kg dry	0.0026	0.0053	1	EPA 8260C Certifications: CTDOH,NELAC-NY10854,NJDEP	10/26/2016 15:30	10/27/2016 01:25	BK
103-65-1	n-Propylbenzene	ND		mg/kg dry	0.0026	0.0053	1	EPA 8260C Certifications: CTDOH,NELAC-NY10854,NJDEP	10/26/2016 15:30	10/27/2016 01:25	BK
95-47-6	o-Xylene	ND		mg/kg dry	0.0026	0.0053	1	EPA 8260C Certifications: CTDOH,NELAC-NY10854	10/26/2016 15:30	10/27/2016 01:25	BK
179601-23-1	p- & m- Xylenes	ND		mg/kg dry	0.0053	0.011	1	EPA 8260C Certifications: CTDOH,NELAC-NY10854	10/26/2016 15:30	10/27/2016 01:25	BK
99-87-6	p-Isopropyltoluene	ND		mg/kg dry	0.0026	0.0053	1	EPA 8260C Certifications: CTDOH,NELAC-NY10854,NJDEP	10/26/2016 15:30	10/27/2016 01:25	BK
135-98-8	sec-Butylbenzene	ND		mg/kg dry	0.0026	0.0053	1	EPA 8260C Certifications: CTDOH,NELAC-NY10854,NJDEP	10/26/2016 15:30	10/27/2016 01:25	BK
100-42-5	Styrene	ND		mg/kg dry	0.0026	0.0053	1	EPA 8260C Certifications: CTDOH,NELAC-NY10854,NJDEP	10/26/2016 15:30	10/27/2016 01:25	BK
75-65-0	tert-Butyl alcohol (TBA)	ND		mg/kg dry	0.0026	0.0053	1	EPA 8260C Certifications: NELAC-NY10854,NJDEP	10/26/2016 15:30	10/27/2016 01:25	BK
98-06-6	tert-Butylbenzene	ND		mg/kg dry	0.0026	0.0053	1	EPA 8260C Certifications: CTDOH,NELAC-NY10854,NJDEP	10/26/2016 15:30	10/27/2016 01:25	BK
127-18-4	Tetrachloroethylene	ND		mg/kg dry	0.0026	0.0053	1	EPA 8260C Certifications: CTDOH,NELAC-NY10854,NJDEP,PADEP	10/26/2016 15:30	10/27/2016 01:25	BK
108-88-3	Toluene	ND		mg/kg dry	0.0026	0.0053	1	EPA 8260C Certifications: CTDOH,NELAC-NY10854,NJDEP,PADEP	10/26/2016 15:30	10/27/2016 01:25	BK
156-60-5	trans-1,2-Dichloroethylene	ND		mg/kg dry	0.0026	0.0053	1	EPA 8260C Certifications: CTDOH,NELAC-NY10854,NJDEP	10/26/2016 15:30	10/27/2016 01:25	BK
10061-02-6	trans-1,3-Dichloropropylene	ND		mg/kg dry	0.0026	0.0053	1	EPA 8260C Certifications: CTDOH,NELAC-NY10854,NJDEP,PADEP	10/26/2016 15:30	10/27/2016 01:25	BK
79-01-6	Trichloroethylene	ND		mg/kg dry	0.0026	0.0053	1	EPA 8260C Certifications: CTDOH,NELAC-NY10854,NJDEP,PADEP	10/26/2016 15:30	10/27/2016 01:25	BK
75-69-4	Trichlorofluoromethane	ND		mg/kg dry	0.0026	0.0053	1	EPA 8260C Certifications: CTDOH,NELAC-NY10854,NJDEP,PADEP	10/26/2016 15:30	10/27/2016 01:25	BK



Sample Information

Client Sample ID: SB-02-0-2.0'

York Sample ID: 16J0783-05

York Project (SDG) No.
16J0783

Client Project ID
95th str sewer/water OEGS 15-008-0265

Matrix
Soil

Collection Date/Time
October 20, 2016 10:40 am

Date Received
10/21/2016

Volatile Organics, 8260 - Comprehensive

Log-in Notes: VOA-CONT Sample Notes:

Sample Prepared by Method: EPA 5035A

CAS No.	Parameter	Result	Flag	Units	Reported to LOD/MDL	LOQ	Dilution	Reference Method	Date/Time Prepared	Date/Time Analyzed	Analyst
75-01-4	Vinyl Chloride	ND		mg/kg dry	0.0026	0.0053	1	EPA 8260C Certifications: CTDOH,NELAC-NY10854,NJDEP,PADEP	10/26/2016 15:30	10/27/2016 01:25	BK
1330-20-7	Xylenes, Total	ND		mg/kg dry	0.0079	0.016	1	EPA 8260C Certifications: CTDOH,NELAC-NY10854,NJDEP,PADEP	10/26/2016 15:30	10/27/2016 01:25	BK
	Surrogate Recoveries	Result			Acceptance Range						
17060-07-0	Surrogate: 1,2-Dichloroethane-d4	105 %			77-125						
2037-26-5	Surrogate: Toluene-d8	99.3 %			85-120						
460-00-4	Surrogate: p-Bromofluorobenzene	93.8 %			76-130						

Semi-Volatiles, 8270 - Comprehensive

Log-in Notes: VOA-CONT Sample Notes:

Sample Prepared by Method: EPA 3550C

CAS No.	Parameter	Result	Flag	Units	Reported to LOD/MDL	LOQ	Dilution	Reference Method	Date/Time Prepared	Date/Time Analyzed	Analyst
82-4	1,1'-Biphenyl	ND		mg/kg dry	0.0440	0.0877	2	EPA 8270D Certifications: NELAC-NY10854,NJDEP,PADEP	10/25/2016 14:08	10/26/2016 11:27	KH
95-94-3	1,2,4,5-Tetrachlorobenzene	ND		mg/kg dry	0.0877	0.175	2	EPA 8270D Certifications: NELAC-NY10854,NJDEP,PADEP	10/25/2016 14:08	10/26/2016 11:27	KH
120-82-1	1,2,4-Trichlorobenzene	ND		mg/kg dry	0.0440	0.0877	2	EPA 8270D Certifications: CTDOH,NELAC-NY10854,NJDEP,PADEP	10/25/2016 14:08	10/26/2016 11:27	KH
95-50-1	1,2-Dichlorobenzene	ND		mg/kg dry	0.0440	0.0877	2	EPA 8270D Certifications: NELAC-NY10854,PADEP	10/25/2016 14:08	10/26/2016 11:27	KH
122-66-7	1,2-Diphenylhydrazine (as Azobenzene)	ND		mg/kg dry	0.0440	0.0877	2	EPA 8270D Certifications: NELAC-NY10854,NJDEP,PADEP	10/25/2016 14:08	10/26/2016 11:27	KH
541-73-1	1,3-Dichlorobenzene	ND		mg/kg dry	0.0440	0.0877	2	EPA 8270D Certifications: NELAC-NY10854,PADEP	10/25/2016 14:08	10/26/2016 11:27	KH
106-46-7	1,4-Dichlorobenzene	ND		mg/kg dry	0.0440	0.0877	2	EPA 8270D Certifications: NELAC-NY10854,PADEP	10/25/2016 14:08	10/26/2016 11:27	KH
58-90-2	2,3,4,6-Tetrachlorophenol	ND		mg/kg dry	0.0877	0.175	2	EPA 8270D Certifications: NELAC-NY10854,NJDEP,PADEP	10/25/2016 14:08	10/26/2016 11:27	KH
95-95-4	2,4,5-Trichlorophenol	ND		mg/kg dry	0.0440	0.0877	2	EPA 8270D Certifications: CTDOH,NELAC-NY10854,NJDEP,PADEP	10/25/2016 14:08	10/26/2016 11:27	KH
88-06-2	2,4,6-Trichlorophenol	ND		mg/kg dry	0.0440	0.0877	2	EPA 8270D Certifications: CTDOH,NELAC-NY10854,NJDEP,PADEP	10/25/2016 14:08	10/26/2016 11:27	KH
120-83-2	2,4-Dichlorophenol	ND		mg/kg dry	0.0440	0.0877	2	EPA 8270D Certifications: CTDOH,NELAC-NY10854,NJDEP,PADEP	10/25/2016 14:08	10/26/2016 11:27	KH
105-67-9	2,4-Dimethylphenol	ND		mg/kg dry	0.0440	0.0877	2	EPA 8270D Certifications: CTDOH,NELAC-NY10854,NJDEP,PADEP	10/25/2016 14:08	10/26/2016 11:27	KH
51-28-5	2,4-Dinitrophenol	ND		mg/kg dry	0.0877	0.175	2	EPA 8270D Certifications: CTDOH,NELAC-NY10854,NJDEP,PADEP	10/25/2016 14:08	10/26/2016 11:27	KH
14-2	2,4-Dinitrotoluene	ND		mg/kg dry	0.0440	0.0877	2	EPA 8270D Certifications: CTDOH,NELAC-NY10854,NJDEP,PADEP	10/25/2016 14:08	10/26/2016 11:27	KH
606-20-2	2,6-Dinitrotoluene	ND		mg/kg dry	0.0440	0.0877	2	EPA 8270D Certifications: CTDOH,NELAC-NY10854,NJDEP,PADEP	10/25/2016 14:08	10/26/2016 11:27	KH

HAZ-191



Sample Information

Client Sample ID: SB-02-0-2.0'

York Sample ID: 16J0783-05

York Project (SDG) No.
16J0783

Client Project ID
95th str sewer/water OEGS 15-008-0265

Matrix
Soil

Collection Date/Time
October 20, 2016 10:40 am

Date Received
10/21/2016

Semi-Volatiles, 8270 - Comprehensive

Log-in Notes: VOA-CONT Sample Notes:

Sample Prepared by Method: EPA 3550C

CAS No.	Parameter	Result	Flag	Units	Reported to LOD/MDL	LOQ	Dilution	Reference Method	Date/Time Prepared	Date/Time Analyzed	Analyst
91-58-7	2-Chloronaphthalene	ND		mg/kg dry	0.0440	0.0877	2	EPA 8270D Certifications: CTDOH,NELAC-NY10854,NJDEP,PADEP	10/25/2016 14:08	10/26/2016 11:27	KH
95-57-8	2-Chlorophenol	ND		mg/kg dry	0.0440	0.0877	2	EPA 8270D Certifications: CTDOH,NELAC-NY10854,NJDEP,PADEP	10/25/2016 14:08	10/26/2016 11:27	KH
91-57-6	2-Methylnaphthalene	ND		mg/kg dry	0.0440	0.0877	2	EPA 8270D Certifications: CTDOH,NELAC-NY10854,NJDEP,PADEP	10/25/2016 14:08	10/26/2016 11:27	KH
95-48-7	2-Methylphenol	ND		mg/kg dry	0.0440	0.0877	2	EPA 8270D Certifications: CTDOH,NELAC-NY10854,NJDEP,PADEP	10/25/2016 14:08	10/26/2016 11:27	KH
88-74-4	2-Nitroaniline	ND		mg/kg dry	0.0877	0.175	2	EPA 8270D Certifications: CTDOH,NELAC-NY10854,NJDEP,PADEP	10/25/2016 14:08	10/26/2016 11:27	KH
88-75-5	2-Nitrophenol	ND		mg/kg dry	0.0440	0.0877	2	EPA 8270D Certifications: CTDOH,NELAC-NY10854,NJDEP,PADEP	10/25/2016 14:08	10/26/2016 11:27	KH
65794-96-9	3- & 4-Methylphenols	ND		mg/kg dry	0.0440	0.0877	2	EPA 8270D Certifications: CTDOH,NELAC-NY10854,NJDEP,PADEP	10/25/2016 14:08	10/26/2016 11:27	KH
91-94-1	3,3'-Dichlorobenzidine	ND		mg/kg dry	0.0440	0.0877	2	EPA 8270D Certifications: NELAC-NY10854,NJDEP,PADEP	10/25/2016 14:08	10/26/2016 11:27	KH
99-09-2	3-Nitroaniline	ND		mg/kg dry	0.0877	0.175	2	EPA 8270D Certifications: CTDOH,NELAC-NY10854,NJDEP,PADEP	10/25/2016 14:08	10/26/2016 11:27	KH
534-52-1	4,6-Dinitro-2-methylphenol	ND		mg/kg dry	0.0877	0.175	2	EPA 8270D Certifications: CTDOH,NELAC-NY10854,NJDEP,PADEP	10/25/2016 14:08	10/26/2016 11:27	KH
101-55-3	4-Bromophenyl phenyl ether	ND		mg/kg dry	0.0440	0.0877	2	EPA 8270D Certifications: CTDOH,NELAC-NY10854,NJDEP,PADEP	10/25/2016 14:08	10/26/2016 11:27	KH
59-50-7	4-Chloro-3-methylphenol	ND		mg/kg dry	0.0440	0.0877	2	EPA 8270D Certifications: CTDOH,NELAC-NY10854,NJDEP,PADEP	10/25/2016 14:08	10/26/2016 11:27	KH
106-47-8	4-Chloroaniline	ND		mg/kg dry	0.0440	0.0877	2	EPA 8270D Certifications: CTDOH,NELAC-NY10854,NJDEP,PADEP	10/25/2016 14:08	10/26/2016 11:27	KH
7005-72-3	4-Chlorophenyl phenyl ether	ND		mg/kg dry	0.0440	0.0877	2	EPA 8270D Certifications: CTDOH,NELAC-NY10854,NJDEP,PADEP	10/25/2016 14:08	10/26/2016 11:27	KH
100-01-6	4-Nitroaniline	ND		mg/kg dry	0.0877	0.175	2	EPA 8270D Certifications: CTDOH,NELAC-NY10854,NJDEP,PADEP	10/25/2016 14:08	10/26/2016 11:27	KH
100-02-7	4-Nitrophenol	ND		mg/kg dry	0.0877	0.175	2	EPA 8270D Certifications: CTDOH,NELAC-NY10854,NJDEP,PADEP	10/25/2016 14:08	10/26/2016 11:27	KH
83-32-9	Acenaphthene	ND		mg/kg dry	0.0440	0.0877	2	EPA 8270D Certifications: CTDOH,NELAC-NY10854,NJDEP,PADEP	10/25/2016 14:08	10/26/2016 11:27	KH
208-96-8	Acenaphthylene	ND		mg/kg dry	0.0440	0.0877	2	EPA 8270D Certifications: CTDOH,NELAC-NY10854,NJDEP,PADEP	10/25/2016 14:08	10/26/2016 11:27	KH
98-86-2	Acetophenone	ND		mg/kg dry	0.0440	0.0877	2	EPA 8270D Certifications: NELAC-NY10854,NJDEP,PADEP	10/25/2016 14:08	10/26/2016 11:27	KH
62-53-3	Aniline	ND		mg/kg dry	0.176	0.351	2	EPA 8270D Certifications: NELAC-NY10854,NJDEP,PADEP	10/25/2016 14:08	10/26/2016 11:27	KH
120-12-7	Anthracene	ND		mg/kg dry	0.0440	0.0877	2	EPA 8270D Certifications: CTDOH,NELAC-NY10854,NJDEP,PADEP	10/25/2016 14:08	10/26/2016 11:27	KH
1912-24-9	Atrazine	ND		mg/kg dry	0.0440	0.0877	2	EPA 8270D Certifications: NELAC-NY10854,NJDEP,PADEP	10/25/2016 14:08	10/26/2016 11:27	KH



Sample Information

Client Sample ID: SB-02-0-2.0'

York Sample ID: 16J0783-05

York Project (SDG) No.
16J0783

Client Project ID
95th str sewer/water OEGS 15-008-0265

Matrix
Soil

Collection Date/Time
October 20, 2016 10:40 am

Date Received
10/21/2016

Semi-Volatiles, 8270 - Comprehensive

Log-in Notes:

VOA-CONT

Sample Notes:

Sample Prepared by Method: EPA 3550C

CAS No.	Parameter	Result	Flag	Units	Reported to LOD/MDL	LOQ	Dilution	Reference Method	Date/Time Prepared	Date/Time Analyzed	Analyst
100-52-7	Benzaldehyde	ND		mg/kg dry	0.0440	0.0877	2	EPA 8270D Certifications: NELAC-NY10854,NJDEP,PADEP	10/25/2016 14:08	10/26/2016 11:27	KH
92-87-5	Benzidine	ND		mg/kg dry	0.176	0.351	2	EPA 8270D Certifications: CTDOH,NELAC-NY10854,PADEP	10/25/2016 14:08	10/26/2016 11:27	KH
56-55-3	Benzo(a)anthracene	ND		mg/kg dry	0.0440	0.0877	2	EPA 8270D Certifications: CTDOH,NELAC-NY10854,NJDEP,PADEP	10/25/2016 14:08	10/26/2016 11:27	KH
50-32-8	Benzo(a)pyrene	ND		mg/kg dry	0.0440	0.0877	2	EPA 8270D Certifications: CTDOH,NELAC-NY10854,NJDEP,PADEP	10/25/2016 14:08	10/26/2016 11:27	KH
205-99-2	Benzo(b)fluoranthene	ND		mg/kg dry	0.0440	0.0877	2	EPA 8270D Certifications: CTDOH,NELAC-NY10854,NJDEP,PADEP	10/25/2016 14:08	10/26/2016 11:27	KH
191-24-2	Benzo(g,h,i)perylene	ND		mg/kg dry	0.0440	0.0877	2	EPA 8270D Certifications: CTDOH,NELAC-NY10854,NJDEP,PADEP	10/25/2016 14:08	10/26/2016 11:27	KH
207-08-9	Benzo(k)fluoranthene	ND		mg/kg dry	0.0440	0.0877	2	EPA 8270D Certifications: CTDOH,NELAC-NY10854,NJDEP,PADEP	10/25/2016 14:08	10/26/2016 11:27	KH
85-0	Benzoic acid	ND		mg/kg dry	0.0440	0.0877	2	EPA 8270D Certifications: NELAC-NY10854,NJDEP,PADEP	10/25/2016 14:08	10/26/2016 11:27	KH
100-51-6	Benzyl alcohol	ND		mg/kg dry	0.0440	0.0877	2	EPA 8270D Certifications: NELAC-NY10854,NJDEP,PADEP	10/25/2016 14:08	10/26/2016 11:27	KH
85-68-7	Benzyl butyl phthalate	ND		mg/kg dry	0.0440	0.0877	2	EPA 8270D Certifications: CTDOH,NELAC-NY10854,NJDEP,PADEP	10/25/2016 14:08	10/26/2016 11:27	KH
111-91-1	Bis(2-chloroethoxy)methane	ND		mg/kg dry	0.0440	0.0877	2	EPA 8270D Certifications: CTDOH,NELAC-NY10854,NJDEP,PADEP	10/25/2016 14:08	10/26/2016 11:27	KH
111-44-4	Bis(2-chloroethyl)ether	ND		mg/kg dry	0.0440	0.0877	2	EPA 8270D Certifications: CTDOH,NELAC-NY10854,NJDEP,PADEP	10/25/2016 14:08	10/26/2016 11:27	KH
108-60-1	Bis(2-chloroisopropyl)ether	ND		mg/kg dry	0.0440	0.0877	2	EPA 8270D Certifications: CTDOH,NELAC-NY10854,NJDEP,PADEP	10/25/2016 14:08	10/26/2016 11:27	KH
117-81-7	Bis(2-ethylhexyl)phthalate	ND		mg/kg dry	0.0440	0.0877	2	EPA 8270D Certifications: CTDOH,NELAC-NY10854,NJDEP,PADEP	10/25/2016 14:08	10/26/2016 11:27	KH
105-60-2	Caprolactam	ND		mg/kg dry	0.0877	0.175	2	EPA 8270D Certifications: NELAC-NY10854,NJDEP,PADEP	10/25/2016 14:08	10/26/2016 11:27	KH
86-74-8	Carbazole	ND		mg/kg dry	0.0440	0.0877	2	EPA 8270D Certifications: CTDOH,NELAC-NY10854,NJDEP,PADEP	10/25/2016 14:08	10/26/2016 11:27	KH
218-01-9	Chrysene	ND		mg/kg dry	0.0440	0.0877	2	EPA 8270D Certifications: CTDOH,NELAC-NY10854,NJDEP,PADEP	10/25/2016 14:08	10/26/2016 11:27	KH
53-70-3	Dibenzo(a,h)anthracene	ND		mg/kg dry	0.0440	0.0877	2	EPA 8270D Certifications: CTDOH,NELAC-NY10854,NJDEP,PADEP	10/25/2016 14:08	10/26/2016 11:27	KH
132-64-9	Dibenzofuran	ND		mg/kg dry	0.0440	0.0877	2	EPA 8270D Certifications: CTDOH,NELAC-NY10854,NJDEP,PADEP	10/25/2016 14:08	10/26/2016 11:27	KH
84-66-2	Diethyl phthalate	ND		mg/kg dry	0.0440	0.0877	2	EPA 8270D Certifications: CTDOH,NELAC-NY10854,NJDEP,PADEP	10/25/2016 14:08	10/26/2016 11:27	KH
131-11-3	Dimethyl phthalate	ND		mg/kg dry	0.0440	0.0877	2	EPA 8270D Certifications: CTDOH,NELAC-NY10854,NJDEP,PADEP	10/25/2016 14:08	10/26/2016 11:27	KH
84-74-2	Di-n-butyl phthalate	ND		mg/kg dry	0.0440	0.0877	2	EPA 8270D Certifications: CTDOH,NELAC-NY10854,NJDEP,PADEP	10/25/2016 14:08	10/26/2016 11:27	KH

HAZ-193



Sample Information

Client Sample ID: SB-02-0-2.0'

York Sample ID: 16J0783-05

York Project (SDG) No.
16J0783

Client Project ID
95th str sewer/water OEGS 15-008-0265

Matrix
Soil

Collection Date/Time
October 20, 2016 10:40 am

Date Received
10/21/2016

Semi-Volatiles, 8270 - Comprehensive

Log-in Notes: VOA-CONT Sample Notes:

Sample Prepared by Method: EPA 3550C

CAS No.	Parameter	Result	Flag	Units	Reported to LOD/MDL	LOQ	Dilution	Reference Method	Date/Time Prepared	Date/Time Analyzed	Analyst
117-84-0	Di-n-octyl phthalate	ND		mg/kg dry	0.0440	0.0877	2	EPA 8270D Certifications: CTDOH,NELAC-NY10854,NJDEP,PADEP	10/25/2016 14:08	10/26/2016 11:27	KH
206-44-0	Fluoranthene	ND		mg/kg dry	0.0440	0.0877	2	EPA 8270D Certifications: CTDOH,NELAC-NY10854,NJDEP,PADEP	10/25/2016 14:08	10/26/2016 11:27	KH
86-73-7	Fluorene	ND		mg/kg dry	0.0440	0.0877	2	EPA 8270D Certifications: NELAC-NY10854,NJDEP,PADEP	10/25/2016 14:08	10/26/2016 11:27	KH
118-74-1	Hexachlorobenzene	ND		mg/kg dry	0.0440	0.0877	2	EPA 8270D Certifications: CTDOH,NELAC-NY10854,NJDEP,PADEP	10/25/2016 14:08	10/26/2016 11:27	KH
87-68-3	Hexachlorobutadiene	ND		mg/kg dry	0.0440	0.0877	2	EPA 8270D Certifications: CTDOH,NELAC-NY10854,NJDEP,PADEP	10/25/2016 14:08	10/26/2016 11:27	KH
77-47-4	Hexachlorocyclopentadiene	ND		mg/kg dry	0.0440	0.0877	2	EPA 8270D Certifications: CTDOH,NELAC-NY10854,NJDEP,PADEP	10/25/2016 14:08	10/26/2016 11:27	KH
67-72-1	Hexachloroethane	ND		mg/kg dry	0.0440	0.0877	2	EPA 8270D Certifications: CTDOH,NELAC-NY10854,NJDEP,PADEP	10/25/2016 14:08	10/26/2016 11:27	KH
193-39-5	Indeno(1,2,3-cd)pyrene	ND		mg/kg dry	0.0440	0.0877	2	EPA 8270D Certifications: CTDOH,NELAC-NY10854,NJDEP,PADEP	10/25/2016 14:08	10/26/2016 11:27	KH
78-59-1	Isophorone	ND		mg/kg dry	0.0440	0.0877	2	EPA 8270D Certifications: CTDOH,NELAC-NY10854,NJDEP,PADEP	10/25/2016 14:08	10/26/2016 11:27	KH
91-20-3	Naphthalene	ND		mg/kg dry	0.0440	0.0877	2	EPA 8270D Certifications: CTDOH,NELAC-NY10854,NJDEP,PADEP	10/25/2016 14:08	10/26/2016 11:27	KH
98-95-3	Nitrobenzene	ND		mg/kg dry	0.0440	0.0877	2	EPA 8270D Certifications: CTDOH,NELAC-NY10854,NJDEP,PADEP	10/25/2016 14:08	10/26/2016 11:27	KH
62-75-9	N-Nitrosodimethylamine	ND		mg/kg dry	0.0440	0.0877	2	EPA 8270D Certifications: CTDOH,NELAC-NY10854,NJDEP,PADEP	10/25/2016 14:08	10/26/2016 11:27	KH
621-64-7	N-nitroso-di-n-propylamine	ND		mg/kg dry	0.0440	0.0877	2	EPA 8270D Certifications: CTDOH,NELAC-NY10854,NJDEP,PADEP	10/25/2016 14:08	10/26/2016 11:27	KH
86-30-6	N-Nitrosodiphenylamine	ND		mg/kg dry	0.0440	0.0877	2	EPA 8270D Certifications: CTDOH,NELAC-NY10854,NJDEP,PADEP	10/25/2016 14:08	10/26/2016 11:27	KH
87-86-5	Pentachlorophenol	ND		mg/kg dry	0.0440	0.0877	2	EPA 8270D Certifications: CTDOH,NELAC-NY10854,NJDEP,PADEP	10/25/2016 14:08	10/26/2016 11:27	KH
85-01-8	Phenanthrene	ND		mg/kg dry	0.0440	0.0877	2	EPA 8270D Certifications: CTDOH,NELAC-NY10854,NJDEP,PADEP	10/25/2016 14:08	10/26/2016 11:27	KH
108-95-2	Phenol	ND		mg/kg dry	0.0440	0.0877	2	EPA 8270D Certifications: CTDOH,NELAC-NY10854,NJDEP,PADEP	10/25/2016 14:08	10/26/2016 11:27	KH
129-00-0	Pyrene	ND		mg/kg dry	0.0440	0.0877	2	EPA 8270D Certifications: CTDOH,NELAC-NY10854,NJDEP,PADEP	10/25/2016 14:08	10/26/2016 11:27	KH
	Surrogate Recoveries	Result			Acceptance Range						
367-12-4	Surrogate: 2-Fluorophenol	57.2 %			20-108						
4165-62-2	Surrogate: Phenol-d5	52.4 %			23-114						
4165-60-0	Surrogate: Nitrobenzene-d5	46.2 %			22-108						
321-60-8	Surrogate: 2-Fluorobiphenyl	51.6 %			21-113						
118-79-6	Surrogate: 2,4,6-Tribromophenol	57.5 %			19-110						
1718-51-0	Surrogate: Terphenyl-d14	39.4 %			24-116						

HAZ-194



Sample Information

Client Sample ID: SB-02-0-2.0'

York Sample ID: 16J0783-05

York Project (SDG) No.
16J0783

Client Project ID
95th str sewer/water OEGS 15-008-0265

Matrix
Soil

Collection Date/Time
October 20, 2016 10:40 am

Date Received
10/21/2016

Pesticides, 8081 target list

Log-in Notes: VOA-CONT

Sample Notes:

Sample Prepared by Method: EPA 3550C

CAS No.	Parameter	Result	Flag	Units	LOD/MDL	Reported to LOQ	Dilution	Reference Method	Date/Time Prepared	Date/Time Analyzed	Analyst
72-54-8	4,4'-DDD	ND		mg/kg dry	0.00174	0.00174	5	EPA 8081B Certifications: CTDOH,NELAC-NY10854,NJDEP,PADEP	10/24/2016 07:34	10/24/2016 19:25	AMC
72-55-9	4,4'-DDE	ND		mg/kg dry	0.00174	0.00174	5	EPA 8081B Certifications: CTDOH,NELAC-NY10854,NJDEP,PADEP	10/24/2016 07:34	10/24/2016 19:25	AMC
50-29-3	4,4'-DDT	ND		mg/kg dry	0.00174	0.00174	5	EPA 8081B Certifications: CTDOH,NELAC-NY10854,NJDEP,PADEP	10/24/2016 07:34	10/24/2016 19:25	AMC
309-00-2	Aldrin	ND		mg/kg dry	0.00174	0.00174	5	EPA 8081B Certifications: CTDOH,NELAC-NY10854,NJDEP,PADEP	10/24/2016 07:34	10/24/2016 19:25	AMC
319-84-6	alpha-BHC	ND		mg/kg dry	0.00174	0.00174	5	EPA 8081B Certifications: CTDOH,NELAC-NY10854,NJDEP,PADEP	10/24/2016 07:34	10/24/2016 19:25	AMC
5103-71-9	alpha-Chlordane	ND		mg/kg dry	0.00174	0.00174	5	EPA 8081B Certifications: NELAC-NY10854,NJDEP	10/24/2016 07:34	10/24/2016 19:25	AMC
9-85-7	beta-BHC	ND		mg/kg dry	0.00174	0.00174	5	EPA 8081B Certifications: CTDOH,NELAC-NY10854,NJDEP,PADEP	10/24/2016 07:34	10/24/2016 19:25	AMC
57-74-9	Chlordane, total	ND		mg/kg dry	0.0347	0.0347	5	EPA 8081B Certifications: CTDOH,NELAC-NY10854,NJDEP,PADEP	10/24/2016 07:34	10/24/2016 19:25	AMC
319-86-8	delta-BHC	ND		mg/kg dry	0.00174	0.00174	5	EPA 8081B Certifications: CTDOH,NELAC-NY10854,NJDEP,PADEP	10/24/2016 07:34	10/24/2016 19:25	AMC
60-57-1	Dieldrin	ND		mg/kg dry	0.00174	0.00174	5	EPA 8081B Certifications: CTDOH,NELAC-NY10854,NJDEP,PADEP	10/24/2016 07:34	10/24/2016 19:25	AMC
959-98-8	Endosulfan I	ND		mg/kg dry	0.00174	0.00174	5	EPA 8081B Certifications: CTDOH,NELAC-NY10854,NJDEP,PADEP	10/24/2016 07:34	10/24/2016 19:25	AMC
33213-65-9	Endosulfan II	ND		mg/kg dry	0.00174	0.00174	5	EPA 8081B Certifications: CTDOH,NELAC-NY10854,NJDEP,PADEP	10/24/2016 07:34	10/24/2016 19:25	AMC
1031-07-8	Endosulfan sulfate	ND		mg/kg dry	0.00174	0.00174	5	EPA 8081B Certifications: CTDOH,NELAC-NY10854,NJDEP,PADEP	10/24/2016 07:34	10/24/2016 19:25	AMC
72-20-8	Endrin	ND		mg/kg dry	0.00174	0.00174	5	EPA 8081B Certifications: CTDOH,NELAC-NY10854,NJDEP,PADEP	10/24/2016 07:34	10/24/2016 19:25	AMC
7421-93-4	Endrin aldehyde	ND		mg/kg dry	0.00174	0.00174	5	EPA 8081B Certifications: CTDOH,NELAC-NY10854,NJDEP,PADEP	10/24/2016 07:34	10/24/2016 19:25	AMC
53494-70-5	Endrin ketone	ND		mg/kg dry	0.00174	0.00174	5	EPA 8081B Certifications: CTDOH,NELAC-NY10854,NJDEP,PADEP	10/24/2016 07:34	10/24/2016 19:25	AMC
58-89-9	gamma-BHC (Lindane)	ND		mg/kg dry	0.00174	0.00174	5	EPA 8081B Certifications: CTDOH,NELAC-NY10854,NJDEP,PADEP	10/24/2016 07:34	10/24/2016 19:25	AMC
5566-34-7	gamma-Chlordane	ND		mg/kg dry	0.00174	0.00174	5	EPA 8081B Certifications: NELAC-NY10854,NJDEP	10/24/2016 07:34	10/24/2016 19:25	AMC
76-44-8	Heptachlor	ND		mg/kg dry	0.00174	0.00174	5	EPA 8081B Certifications: CTDOH,NELAC-NY10854,NJDEP,PADEP	10/24/2016 07:34	10/24/2016 19:25	AMC
1024-57-3	Heptachlor epoxide	ND		mg/kg dry	0.00174	0.00174	5	EPA 8081B Certifications: CTDOH,NELAC-NY10854,NJDEP,PADEP	10/24/2016 07:34	10/24/2016 19:25	AMC
5	Methoxychlor	ND		mg/kg dry	0.00868	0.00868	5	EPA 8081B Certifications: CTDOH,NELAC-NY10854,NJDEP,PADEP	10/24/2016 07:34	10/24/2016 19:25	AMC



Sample Information

Client Sample ID: SB-02-0-2.0'

York Sample ID: 16J0783-05

York Project (SDG) No.
16J0783

Client Project ID
95th str sewer/water OEGS 15-008-0265

Matrix
Soil

Collection Date/Time
October 20, 2016 10:40 am

Date Received
10/21/2016

Pesticides, 8081 target list

Log-in Notes: VOA-CONT

Sample Notes:

Sample Prepared by Method: EPA 3550C

CAS No.	Parameter	Result	Flag	Units	LOD/MDL	Reported to LOQ	Dilution	Reference Method	Date/Time Prepared	Date/Time Analyzed	Analyst
8001-35-2	Toxaphene	ND		mg/kg dry	0.0879	0.0879	5	EPA 8081B Certifications: CTDOH,NELAC-NY10854,NJDEP,PADEP	10/24/2016 07:34	10/24/2016 19:25	AMC
Surrogate Recoveries		Result			Acceptance Range						
2051-24-3	Surrogate: Decachlorobiphenyl	157 %	GC-Sur		30-150						
877-09-8	Surrogate: Tetrachloro-m-xylene	89.5 %			30-150						

Polychlorinated Biphenyls (PCB)

Log-in Notes: VOA-CONT

Sample Notes:

Sample Prepared by Method: EPA 3550C

CAS No.	Parameter	Result	Flag	Units	LOD/MDL	Reported to LOQ	Dilution	Reference Method	Date/Time Prepared	Date/Time Analyzed	Analyst
12674-11-2	Aroclor 1016	ND		mg/kg dry	0.0175	0.0175	1	EPA 8082A Certifications: NELAC-NY10854,CTDOH,NJDEP,PADEP	10/24/2016 07:34	10/24/2016 20:20	AMC
11104-28-2	Aroclor 1221	ND		mg/kg dry	0.0175	0.0175	1	EPA 8082A Certifications: NELAC-NY10854,CTDOH,NJDEP,PADEP	10/24/2016 07:34	10/24/2016 20:20	AMC
11141-16-5	Aroclor 1232	ND		mg/kg dry	0.0175	0.0175	1	EPA 8082A Certifications: NELAC-NY10854,CTDOH,NJDEP,PADEP	10/24/2016 07:34	10/24/2016 20:20	AMC
53469-21-9	Aroclor 1242	ND		mg/kg dry	0.0175	0.0175	1	EPA 8082A Certifications: NELAC-NY10854,CTDOH,NJDEP,PADEP	10/24/2016 07:34	10/24/2016 20:20	AMC
12672-29-6	Aroclor 1248	ND		mg/kg dry	0.0175	0.0175	1	EPA 8082A Certifications: NELAC-NY10854,CTDOH,NJDEP,PADEP	10/24/2016 07:34	10/24/2016 20:20	AMC
11097-69-1	Aroclor 1254	ND		mg/kg dry	0.0175	0.0175	1	EPA 8082A Certifications: NELAC-NY10854,CTDOH,NJDEP,PADEP	10/24/2016 07:34	10/24/2016 20:20	AMC
11096-82-5	Aroclor 1260	ND		mg/kg dry	0.0175	0.0175	1	EPA 8082A Certifications: NELAC-NY10854,CTDOH,NJDEP,PADEP	10/24/2016 07:34	10/24/2016 20:20	AMC
1336-36-3	* Total PCBs	ND		mg/kg dry	0.0175	0.0175	1	EPA 8082A Certifications:	10/24/2016 07:34	10/24/2016 20:20	AMC
Surrogate Recoveries		Result			Acceptance Range						
877-09-8	Surrogate: Tetrachloro-m-xylene	90.5 %			30-140						
2051-24-3	Surrogate: Decachlorobiphenyl	80.5 %			30-140						

Metals, Target Analyte

Log-in Notes: VOA-CONT

Sample Notes:

Sample Prepared by Method: EPA 3050B

CAS No.	Parameter	Result	Flag	Units	LOD/MDL	Reported to LOQ	Dilution	Reference Method	Date/Time Prepared	Date/Time Analyzed	Analyst
7429-90-5	Aluminum	2370		mg/kg dry	5.26	5.26	1	EPA 6010C Certifications: CTDOH,NELAC-NY10854,NJDEP,PADEP	10/24/2016 11:09	10/24/2016 21:24	KV
7440-36-0	Antimony	ND		mg/kg dry	0.526	0.526	1	EPA 6010C Certifications: CTDOH,NELAC-NY10854,NJDEP,PADEP	10/24/2016 11:09	10/24/2016 21:24	KV
7440-38-2	Arsenic	1.57		mg/kg dry	1.05	1.05	1	EPA 6010C Certifications: CTDOH,NELAC-NY10854,NJDEP,PADEP	10/24/2016 11:09	10/24/2016 21:24	KV
7440-39-3	Barium	11.4		mg/kg dry	1.05	1.05	1	EPA 6010C Certifications: CTDOH,NELAC-NY10854,NJDEP,PADEP	10/24/2016 11:09	10/24/2016 21:24	KV

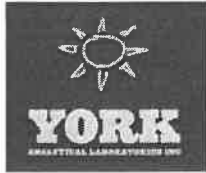
120 RESEARCH DRIVE

STRATFORD, CT 06615

(203) 325-1371

FAX (203) 357-0166

HAZ-196



Sample Information

Client Sample ID: SB-02-0-2.0'

York Sample ID: 16J0783-05

York Project (SDG) No.
16J0783

Client Project ID
95th str sewer/water OEGS 15-008-0265

Matrix
Soil

Collection Date/Time
October 20, 2016 10:40 am

Date Received
10/21/2016

Metals, Target Analyte

Log-in Notes: VOA-CONT Sample Notes:

Sample Prepared by Method: EPA 3050B

CAS No.	Parameter	Result	Flag	Units	LOD/MDL	Reported to LOQ	Dilution	Reference Method	Date/Time Prepared	Date/Time Analyzed	Analyst
7440-41-7	Beryllium	ND		mg/kg dry	0.105	0.105	1	EPA 6010C Certifications: CTDOH,NELAC-NY10854,NJDEP,PADEP	10/24/2016 11:09	10/24/2016 21:24	KV
7440-43-9	Cadmium	ND		mg/kg dry	0.316	0.316	1	EPA 6010C Certifications: CTDOH,NELAC-NY10854,NJDEP,PADEP	10/24/2016 11:09	10/24/2016 21:24	KV
7440-70-2	Calcium	569		mg/kg dry	0.526	5.26	1	EPA 6010C Certifications: CTDOH,NELAC-NY10854,NJDEP,PADEP	10/24/2016 11:09	10/24/2016 21:24	KV
7440-47-3	Chromium	5.45		mg/kg dry	0.526	0.526	1	EPA 6010C Certifications: CTDOH,NELAC-NY10854,NJDEP,PADEP	10/24/2016 11:09	10/24/2016 21:24	KV
7440-48-4	Cobalt	2.13		mg/kg dry	0.526	0.526	1	EPA 6010C Certifications: CTDOH,NELAC-NY10854,NJDEP,PADEP	10/24/2016 11:09	10/24/2016 21:24	KV
7440-50-8	Copper	6.32		mg/kg dry	0.526	0.526	1	EPA 6010C Certifications: CTDOH,NELAC-NY10854,NJDEP,PADEP	10/24/2016 11:09	10/24/2016 21:24	KV
7439-89-6	Iron	4330		mg/kg dry	2.10	2.10	1	EPA 6010C Certifications: CTDOH,NELAC-NY10854,NJDEP,PADEP	10/24/2016 11:09	10/24/2016 21:24	KV
7439-92-1	Lead	3.55		mg/kg dry	0.316	0.316	1	EPA 6010C Certifications: CTDOH,NELAC-NY10854,NJDEP,PADEP	10/24/2016 11:09	10/24/2016 21:24	KV
7439-95-4	Magnesium	956		mg/kg dry	5.26	5.26	1	EPA 6010C Certifications: CTDOH,NELAC-NY10854,NJDEP,PADEP	10/24/2016 11:09	10/24/2016 21:24	KV
7439-96-5	Manganese	35.3		mg/kg dry	0.526	0.526	1	EPA 6010C Certifications: CTDOH,NELAC-NY10854,NJDEP,PADEP	10/24/2016 11:09	10/24/2016 21:24	KV
7440-02-0	Nickel	7.27		mg/kg dry	0.526	0.526	1	EPA 6010C Certifications: CTDOH,NELAC-NY10854,NJDEP,PADEP	10/24/2016 11:09	10/24/2016 21:24	KV
7440-09-7	Potassium	536		mg/kg dry	5.26	5.26	1	EPA 6010C Certifications: CTDOH,NELAC-NY10854,NJDEP,PADEP	10/24/2016 11:09	10/24/2016 21:24	KV
7782-49-2	Selenium	ND		mg/kg dry	1.05	1.05	1	EPA 6010C Certifications: CTDOH,NELAC-NY10854,NJDEP,PADEP	10/24/2016 11:09	10/24/2016 21:24	KV
7440-22-4	Silver	ND		mg/kg dry	0.526	0.526	1	EPA 6010C Certifications: CTDOH,NELAC-NY10854,NJDEP,PADEP	10/24/2016 11:09	10/24/2016 21:24	KV
7440-23-5	Sodium	139		mg/kg dry	10.5	10.5	1	EPA 6010C Certifications: CTDOH,NELAC-NY10854,NJDEP	10/24/2016 11:09	10/24/2016 21:24	KV
7440-28-0	Thallium	ND		mg/kg dry	1.05	1.05	1	EPA 6010C Certifications: CTDOH,NELAC-NY10854,NJDEP,PADEP	10/24/2016 11:09	10/24/2016 21:24	KV
7440-62-2	Vanadium	8.37		mg/kg dry	1.05	1.05	1	EPA 6010C Certifications: CTDOH,NELAC-NY10854,NJDEP,PADEP	10/24/2016 11:09	10/24/2016 21:24	KV
7440-66-6	Zinc	13.8		mg/kg dry	1.05	1.05	1	EPA 6010C Certifications: CTDOH,NELAC-NY10854,NJDEP,PADEP	10/24/2016 11:09	10/24/2016 21:24	KV

Mercury by 7473

Log-in Notes: VOA-CONT Sample Notes:

Sample Prepared by Method: EPA 7473 soil

CAS No.	Parameter	Result	Flag	Units	LOD/MDL	Reported to LOQ	Dilution	Reference Method	Date/Time Prepared	Date/Time Analyzed	Analyst
7439-97-6	Mercury	ND		mg/kg dry	0.0316	0.0316	1	EPA 7473 Certifications: CTDOH,NJDEP,NELAC-NY10854,PADEP	10/24/2016 06:31	10/24/2016 13:37	KV

HAZ-197



Sample Information

Client Sample ID: SB-02-0-2.0' **York Sample ID:** 16J0783-05
York Project (SDG) No. 16J0783 **Client Project ID** 95th str sewer/water OEGS 15-008-0265 **Matrix** Soil **Collection Date/Time** October 20, 2016 10:40 am **Date Received** 10/21/2016

Total Solids

Log-in Notes: VOA-CONT **Sample Notes:**

Sample Prepared by Method: % Solids Prep

CAS No.	Parameter	Result	Flag	Units	LOD/MDL	Reported to LOQ	Dilution	Reference Method	Date/Time Prepared	Date/Time Analyzed	Analyst
solids	* % Solids	95.0		%	0.100	0.100	1	SM 2540G Certifications: CTDOH	10/25/2016 08:59	10/25/2016 12:26	TJM

Sample Information

Client Sample ID: SB-02-6.5-7.0' **York Sample ID:** 16J0783-06
York Project (SDG) No. 16J0783 **Client Project ID** 95th str sewer/water OEGS 15-008-0265 **Matrix** Soil **Collection Date/Time** October 20, 2016 10:45 am **Date Received** 10/21/2016

Volatile Organics, 8260 - Comprehensive

Log-in Notes: VOA-CONT **Sample Notes:**

Sample Prepared by Method: EPA 5035A

CAS No.	Parameter	Result	Flag	Units	LOD/MDL	Reported to LOQ	Dilution	Reference Method	Date/Time Prepared	Date/Time Analyzed	Analyst
630-20-6	1,1,1,2-Tetrachloroethane	ND		mg/kg dry	0.0031	0.0061	1	EPA 8260C Certifications: CTDOH,NELAC-NY10854,NJDEP	10/26/2016 15:30	10/27/2016 01:54	BK
71-55-6	1,1,1-Trichloroethane	ND		mg/kg dry	0.0031	0.0061	1	EPA 8260C Certifications: CTDOH,NELAC-NY10854,NJDEP,PADEP	10/26/2016 15:30	10/27/2016 01:54	BK
79-34-5	1,1,2,2-Tetrachloroethane	ND		mg/kg dry	0.0031	0.0061	1	EPA 8260C Certifications: CTDOH,NELAC-NY10854,NJDEP,PADEP	10/26/2016 15:30	10/27/2016 01:54	BK
76-13-1	1,1,2-Trichloro-1,2,2-trifluoroethane (Freon 113)	ND		mg/kg dry	0.0031	0.0061	1	EPA 8260C Certifications: CTDOH,NELAC-NY10854,NJDEP	10/26/2016 15:30	10/27/2016 01:54	BK
79-00-5	1,1,2-Trichloroethane	ND		mg/kg dry	0.0031	0.0061	1	EPA 8260C Certifications: CTDOH,NELAC-NY10854,NJDEP,PADEP	10/26/2016 15:30	10/27/2016 01:54	BK
75-34-3	1,1-Dichloroethane	ND		mg/kg dry	0.0031	0.0061	1	EPA 8260C Certifications: CTDOH,NELAC-NY10854,NJDEP,PADEP	10/26/2016 15:30	10/27/2016 01:54	BK
75-35-4	1,1-Dichloroethylene	ND		mg/kg dry	0.0031	0.0061	1	EPA 8260C Certifications: CTDOH,NELAC-NY10854,NJDEP,PADEP	10/26/2016 15:30	10/27/2016 01:54	BK
87-61-6	1,2,3-Trichlorobenzene	ND		mg/kg dry	0.0031	0.0061	1	EPA 8260C Certifications: NELAC-NY10854,NJDEP	10/26/2016 15:30	10/27/2016 01:54	BK
96-18-4	1,2,3-Trichloropropane	ND		mg/kg dry	0.0031	0.0061	1	EPA 8260C Certifications: NELAC-NY10854,NJDEP	10/26/2016 15:30	10/27/2016 01:54	BK
120-82-1	1,2,4-Trichlorobenzene	ND		mg/kg dry	0.0031	0.0061	1	EPA 8260C Certifications: NELAC-NY10854,NJDEP	10/26/2016 15:30	10/27/2016 01:54	BK
95-63-6	1,2,4-Trimethylbenzene	ND		mg/kg dry	0.0031	0.0061	1	EPA 8260C Certifications: CTDOH,NELAC-NY10854,NJDEP	10/26/2016 15:30	10/27/2016 01:54	BK
96-12-8	1,2-Dibromo-3-chloropropane	ND		mg/kg dry	0.0031	0.0061	1	EPA 8260C Certifications: CTDOH,NELAC-NY10854,NJDEP	10/26/2016 15:30	10/27/2016 01:54	BK
106-93-4	1,2-Dibromoethane	ND		mg/kg dry	0.0031	0.0061	1	EPA 8260C Certifications: CTDOH,NELAC-NY10854,NJDEP	10/26/2016 15:30	10/27/2016 01:54	BF
95-50-1	1,2-Dichlorobenzene	ND		mg/kg dry	0.0031	0.0061	1	EPA 8260C Certifications: CTDOH,NELAC-NY10854,NJDEP,PADEP	10/26/2016 15:30	10/27/2016 01:54	BK

120 RESEARCH DRIVE

STRATFORD, CT 06615

(203) 325-1371

FAX (203) 357-0166

HAZ-198



Sample Information

Client Sample ID: SB-02-6.5-7.0'

York Sample ID: 16J0783-06

York Project (SDG) No.
16J0783

Client Project ID
95th str sewer/water OEGS 15-008-0265

Matrix
Soil

Collection Date/Time
October 20, 2016 10:45 am

Date Received
10/21/2016

Volatile Organics, 8260 - Comprehensive

Log-in Notes: VOA-CONT Sample Notes:

Sample Prepared by Method: EPA 5035A

CAS No.	Parameter	Result	Flag	Units	Reported to LOD/MDL	LOQ	Dilution	Reference Method	Date/Time Prepared	Date/Time Analyzed	Analyst
107-06-2	1,2-Dichloroethane	ND		mg/kg dry	0.0031	0.0061	1	EPA 8260C Certifications: CTDOH,NELAC-NY10854,NJDEP,PADEP	10/26/2016 15:30	10/27/2016 01:54	BK
78-87-5	1,2-Dichloropropane	ND		mg/kg dry	0.0031	0.0061	1	EPA 8260C Certifications: CTDOH,NELAC-NY10854,NJDEP	10/26/2016 15:30	10/27/2016 01:54	BK
108-67-8	1,3,5-Trimethylbenzene	ND		mg/kg dry	0.0031	0.0061	1	EPA 8260C Certifications: CTDOH,NELAC-NY10854,NJDEP	10/26/2016 15:30	10/27/2016 01:54	BK
541-73-1	1,3-Dichlorobenzene	ND		mg/kg dry	0.0031	0.0061	1	EPA 8260C Certifications: CTDOH,NELAC-NY10854,NJDEP,PADEP	10/26/2016 15:30	10/27/2016 01:54	BK
106-46-7	1,4-Dichlorobenzene	ND		mg/kg dry	0.0031	0.0061	1	EPA 8260C Certifications: CTDOH,NELAC-NY10854,NJDEP,PADEP	10/26/2016 15:30	10/27/2016 01:54	BK
123-91-1	1,4-Dioxane	ND		mg/kg dry	0.061	0.12	1	EPA 8260C Certifications: NELAC-NY10854,NJDEP	10/26/2016 15:30	10/27/2016 01:54	BK
78-93-3	2-Butanone	ND		mg/kg dry	0.0031	0.0061	1	EPA 8260C Certifications: CTDOH,NELAC-NY10854,NJDEP	10/26/2016 15:30	10/27/2016 01:54	BK
78-6	2-Hexanone	ND		mg/kg dry	0.0031	0.0061	1	EPA 8260C Certifications: CTDOH,NELAC-NY10854,NJDEP	10/26/2016 15:30	10/27/2016 01:54	BK
108-10-1	4-Methyl-2-pentanone	ND		mg/kg dry	0.0031	0.0061	1	EPA 8260C Certifications: CTDOH,NELAC-NY10854,NJDEP	10/26/2016 15:30	10/27/2016 01:54	BK
67-64-1	Acetone	ND		mg/kg dry	0.0061	0.012	1	EPA 8260C Certifications: CTDOH,NELAC-NY10854,NJDEP	10/26/2016 15:30	10/27/2016 01:54	BK
107-02-8	Acrolein	ND		mg/kg dry	0.0061	0.012	1	EPA 8260C Certifications: CTDOH,NELAC-NY10854,NJDEP	10/26/2016 15:30	10/27/2016 01:54	BK
107-13-1	Acrylonitrile	ND		mg/kg dry	0.0031	0.0061	1	EPA 8260C Certifications: CTDOH,NELAC-NY10854,NJDEP	10/26/2016 15:30	10/27/2016 01:54	BK
71-43-2	Benzene	ND		mg/kg dry	0.0031	0.0061	1	EPA 8260C Certifications: CTDOH,NELAC-NY10854,NJDEP,PADEP	10/26/2016 15:30	10/27/2016 01:54	BK
74-97-5	Bromochloromethane	ND		mg/kg dry	0.0031	0.0061	1	EPA 8260C Certifications: NELAC-NY10854,NJDEP	10/26/2016 15:30	10/27/2016 01:54	BK
75-27-4	Bromodichloromethane	ND		mg/kg dry	0.0031	0.0061	1	EPA 8260C Certifications: CTDOH,NELAC-NY10854,NJDEP,PADEP	10/26/2016 15:30	10/27/2016 01:54	BK
75-25-2	Bromoform	ND		mg/kg dry	0.0031	0.0061	1	EPA 8260C Certifications: CTDOH,NELAC-NY10854,NJDEP,PADEP	10/26/2016 15:30	10/27/2016 01:54	BK
74-83-9	Bromomethane	ND		mg/kg dry	0.0031	0.0061	1	EPA 8260C Certifications: CTDOH,NELAC-NY10854,NJDEP,PADEP	10/26/2016 15:30	10/27/2016 01:54	BK
75-15-0	Carbon disulfide	ND		mg/kg dry	0.0031	0.0061	1	EPA 8260C Certifications: CTDOH,NELAC-NY10854,NJDEP	10/26/2016 15:30	10/27/2016 01:54	BK
56-23-5	Carbon tetrachloride	ND		mg/kg dry	0.0031	0.0061	1	EPA 8260C Certifications: CTDOH,NELAC-NY10854,NJDEP,PADEP	10/26/2016 15:30	10/27/2016 01:54	BK
108-90-7	Chlorobenzene	ND		mg/kg dry	0.0031	0.0061	1	EPA 8260C Certifications: CTDOH,NELAC-NY10854,NJDEP,PADEP	10/26/2016 15:30	10/27/2016 01:54	BK
75-00-3	Chloroethane	ND		mg/kg dry	0.0031	0.0061	1	EPA 8260C Certifications: CTDOH,NELAC-NY10854,NJDEP,PADEP	10/26/2016 15:30	10/27/2016 01:54	BK
75-06-3	Chloroform	ND		mg/kg dry	0.0031	0.0061	1	EPA 8260C Certifications: CTDOH,NELAC-NY10854,NJDEP,PADEP	10/26/2016 15:30	10/27/2016 01:54	BK



Sample Information

Client Sample ID: SB-02-6.5-7.0'

York Sample ID: 16J0783-06

York Project (SDG) No.
16J0783

Client Project ID
95th str sewer/water OEGS 15-008-0265

Matrix
Soil

Collection Date/Time
October 20, 2016 10:45 am

Date Received
10/21/2016

Volatile Organics, 8260 - Comprehensive

Log-in Notes: VOA-CONT

Sample Notes:

Sample Prepared by Method: EPA 5035A

CAS No.	Parameter	Result	Flag	Units	Reported to LOD/MDL	LOQ	Dilution	Reference Method	Date/Time Prepared	Date/Time Analyzed	Analyst
74-87-3	Chloromethane	ND		mg/kg dry	0.0031	0.0061	1	EPA 8260C Certifications: CTDOH,NELAC-NY10854,NJDEP,PADEP	10/26/2016 15:30	10/27/2016 01:54	BK
156-59-2	cis-1,2-Dichloroethylene	ND		mg/kg dry	0.0031	0.0061	1	EPA 8260C Certifications: CTDOH,NELAC-NY10854,NJDEP	10/26/2016 15:30	10/27/2016 01:54	BK
10061-01-5	cis-1,3-Dichloropropylene	ND		mg/kg dry	0.0031	0.0061	1	EPA 8260C Certifications: CTDOH,NELAC-NY10854,NJDEP,PADEP	10/26/2016 15:30	10/27/2016 01:54	BK
110-82-7	Cyclohexane	ND		mg/kg dry	0.0031	0.0061	1	EPA 8260C Certifications: NELAC-NY10854,NJDEP	10/26/2016 15:30	10/27/2016 01:54	BK
124-48-1	Dibromochloromethane	ND		mg/kg dry	0.0031	0.0061	1	EPA 8260C Certifications: NELAC-NY10854,NJDEP,PADEP	10/26/2016 15:30	10/27/2016 01:54	BK
74-95-3	Dibromomethane	ND		mg/kg dry	0.0031	0.0061	1	EPA 8260C Certifications: NELAC-NY10854,NJDEP	10/26/2016 15:30	10/27/2016 01:54	BK
75-71-8	Dichlorodifluoromethane	ND		mg/kg dry	0.0031	0.0061	1	EPA 8260C Certifications: NELAC-NY10854,NJDEP	10/26/2016 15:30	10/27/2016 01:54	BK
100-41-4	Ethyl Benzene	ND		mg/kg dry	0.0031	0.0061	1	EPA 8260C Certifications: CTDOH,NELAC-NY10854,NJDEP,PADEP	10/26/2016 15:30	10/27/2016 01:54	BK
87-68-3	Hexachlorobutadiene	ND		mg/kg dry	0.0031	0.0061	1	EPA 8260C Certifications: NELAC-NY10854,NJDEP	10/26/2016 15:30	10/27/2016 01:54	BK
98-82-8	Isopropylbenzene	ND		mg/kg dry	0.0031	0.0061	1	EPA 8260C Certifications: CTDOH,NELAC-NY10854,NJDEP	10/26/2016 15:30	10/27/2016 01:54	BK
79-20-9	Methyl acetate	ND		mg/kg dry	0.0031	0.0061	1	EPA 8260C Certifications: NELAC-NY10854,NJDEP	10/26/2016 15:30	10/27/2016 01:54	BK
1634-04-4	Methyl tert-butyl ether (MTBE)	ND		mg/kg dry	0.0031	0.0061	1	EPA 8260C Certifications: CTDOH,NELAC-NY10854,NJDEP	10/26/2016 15:30	10/27/2016 01:54	BK
108-87-2	Methylcyclohexane	ND		mg/kg dry	0.0031	0.0061	1	EPA 8260C Certifications: NELAC-NY10854,NJDEP	10/26/2016 15:30	10/27/2016 01:54	BK
75-09-2	Methylene chloride	ND		mg/kg dry	0.0061	0.012	1	EPA 8260C Certifications: CTDOH,NELAC-NY10854,NJDEP,PADEP	10/26/2016 15:30	10/27/2016 01:54	BK
104-51-8	n-Butylbenzene	ND		mg/kg dry	0.0031	0.0061	1	EPA 8260C Certifications: CTDOH,NELAC-NY10854,NJDEP	10/26/2016 15:30	10/27/2016 01:54	BK
103-65-1	n-Propylbenzene	ND		mg/kg dry	0.0031	0.0061	1	EPA 8260C Certifications: CTDOH,NELAC-NY10854,NJDEP	10/26/2016 15:30	10/27/2016 01:54	BK
95-47-6	o-Xylene	ND		mg/kg dry	0.0031	0.0061	1	EPA 8260C Certifications: CTDOH,NELAC-NY10854	10/26/2016 15:30	10/27/2016 01:54	BK
179601-23-1	p- & m- Xylenes	ND		mg/kg dry	0.0061	0.012	1	EPA 8260C Certifications: CTDOH,NELAC-NY10854	10/26/2016 15:30	10/27/2016 01:54	BK
99-87-6	p-Isopropyltoluene	ND		mg/kg dry	0.0031	0.0061	1	EPA 8260C Certifications: CTDOH,NELAC-NY10854,NJDEP	10/26/2016 15:30	10/27/2016 01:54	BK
135-98-8	sec-Butylbenzene	ND		mg/kg dry	0.0031	0.0061	1	EPA 8260C Certifications: CTDOH,NELAC-NY10854,NJDEP	10/26/2016 15:30	10/27/2016 01:54	BK
100-42-5	Styrene	ND		mg/kg dry	0.0031	0.0061	1	EPA 8260C Certifications: CTDOH,NELAC-NY10854,NJDEP	10/26/2016 15:30	10/27/2016 01:54	BK
75-65-0	tert-Butyl alcohol (TBA)	ND		mg/kg dry	0.0031	0.0061	1	EPA 8260C Certifications: NELAC-NY10854,NJDEP	10/26/2016 15:30	10/27/2016 01:54	BK

HAZ-200



Sample Information

Client Sample ID: SB-02-6.5-7.0'

York Sample ID: 16J0783-06

York Project (SDG) No.
16J0783

Client Project ID
95th str sewer/water OEGS 15-008-0265

Matrix
Soil

Collection Date/Time
October 20, 2016 10:45 am

Date Received
10/21/2016

Volatile Organics, 8260 - Comprehensive

Log-in Notes: VOA-CONT Sample Notes:

Sample Prepared by Method: EPA 5035A

CAS No.	Parameter	Result	Flag	Units	Reported to LOD/MDL	LOQ	Dilution	Reference Method	Date/Time Prepared	Date/Time Analyzed	Analyst
98-06-6	tert-Butylbenzene	ND		mg/kg dry	0.0031	0.0061	1	EPA 8260C Certifications: CTDOH,NELAC-NY10854,NJDEP	10/26/2016 15:30	10/27/2016 01:54	BK
127-18-4	Tetrachloroethylene	ND		mg/kg dry	0.0031	0.0061	1	EPA 8260C Certifications: CTDOH,NELAC-NY10854,NJDEP,PADEP	10/26/2016 15:30	10/27/2016 01:54	BK
108-88-3	Toluene	ND		mg/kg dry	0.0031	0.0061	1	EPA 8260C Certifications: CTDOH,NELAC-NY10854,NJDEP,PADEP	10/26/2016 15:30	10/27/2016 01:54	BK
156-60-5	trans-1,2-Dichloroethylene	ND		mg/kg dry	0.0031	0.0061	1	EPA 8260C Certifications: CTDOH,NELAC-NY10854,NJDEP	10/26/2016 15:30	10/27/2016 01:54	BK
10061-02-6	trans-1,3-Dichloropropylene	ND		mg/kg dry	0.0031	0.0061	1	EPA 8260C Certifications: CTDOH,NELAC-NY10854,NJDEP,PADEP	10/26/2016 15:30	10/27/2016 01:54	BK
79-01-6	Trichloroethylene	ND		mg/kg dry	0.0031	0.0061	1	EPA 8260C Certifications: CTDOH,NELAC-NY10854,NJDEP,PADEP	10/26/2016 15:30	10/27/2016 01:54	BK
75-69-4	Trichlorofluoromethane	ND		mg/kg dry	0.0031	0.0061	1	EPA 8260C Certifications: CTDOH,NELAC-NY10854,NJDEP,PADEP	10/26/2016 15:30	10/27/2016 01:54	BK
75-11-4	Vinyl Chloride	ND		mg/kg dry	0.0031	0.0061	1	EPA 8260C Certifications: CTDOH,NELAC-NY10854,NJDEP,PADEP	10/26/2016 15:30	10/27/2016 01:54	BK
1330-20-7	Xylenes, Total	ND		mg/kg dry	0.0092	0.018	1	EPA 8260C Certifications: CTDOH,NELAC-NY10854,NJDEP,PADEP	10/26/2016 15:30	10/27/2016 01:54	BK

Surrogate Recoveries

Surrogate	Result	Acceptance Range
17060-07-0 Surrogate: 1,2-Dichloroethane-d4	101 %	77-125
2037-26-5 Surrogate: Toluene-d8	104 %	85-120
460-00-4 Surrogate: p-Bromofluorobenzene	89.5 %	76-130

Semi-Volatiles, 8270 - Comprehensive

Log-in Notes: VOA-CONT Sample Notes:

Sample Prepared by Method: EPA 3550C

CAS No.	Parameter	Result	Flag	Units	Reported to LOD/MDL	LOQ	Dilution	Reference Method	Date/Time Prepared	Date/Time Analyzed	Analyst
92-52-4	1,1'-Biphenyl	ND		mg/kg dry	0.0513	0.102	2	EPA 8270D Certifications: NELAC-NY10854,NJDEP,PADEP	10/25/2016 14:08	10/26/2016 11:59	KH
95-94-3	1,2,4,5-Tetrachlorobenzene	ND		mg/kg dry	0.102	0.205	2	EPA 8270D Certifications: NELAC-NY10854,NJDEP,PADEP	10/25/2016 14:08	10/26/2016 11:59	KH
120-82-1	1,2,4-Trichlorobenzene	ND		mg/kg dry	0.0513	0.102	2	EPA 8270D Certifications: CTDOH,NELAC-NY10854,NJDEP,PADEP	10/25/2016 14:08	10/26/2016 11:59	KH
95-50-1	1,2-Dichlorobenzene	ND		mg/kg dry	0.0513	0.102	2	EPA 8270D Certifications: NELAC-NY10854,PADEP	10/25/2016 14:08	10/26/2016 11:59	KH
122-66-7	1,2-Diphenylhydrazine (as Azobenzene)	ND		mg/kg dry	0.0513	0.102	2	EPA 8270D Certifications: NELAC-NY10854,NJDEP,PADEP	10/25/2016 14:08	10/26/2016 11:59	KH
541-73-1	1,3-Dichlorobenzene	ND		mg/kg dry	0.0513	0.102	2	EPA 8270D Certifications: NELAC-NY10854,PADEP	10/25/2016 14:08	10/26/2016 11:59	KH
46-7	1,4-Dichlorobenzene	ND		mg/kg dry	0.0513	0.102	2	EPA 8270D Certifications: NELAC-NY10854,PADEP	10/25/2016 14:08	10/26/2016 11:59	KH
58-90-2	2,3,4,6-Tetrachlorophenol	ND		mg/kg dry	0.102	0.205	2	EPA 8270D Certifications: NELAC-NY10854,NJDEP,PADEP	10/25/2016 14:08	10/26/2016 11:59	KH

HAZ-201



Sample Information

Client Sample ID: SB-02-6.5-7.0'

York Sample ID: 16J0783-06

York Project (SDG) No.
16J0783

Client Project ID
95th str sewer/water OEGS 15-008-0265

Matrix
Soil

Collection Date/Time
October 20, 2016 10:45 am

Date Received
10/21/2016

Semi-Volatiles, 8270 - Comprehensive

Log-in Notes: VOA-CONT

Sample Notes:

Sample Prepared by Method: EPA 3550C

CAS No.	Parameter	Result	Flag	Units	Reported to LOD/MDL	LOQ	Dilution	Reference Method	Date/Time Prepared	Date/Time Analyzed	Analyst
95-95-4	2,4,5-Trichlorophenol	ND		mg/kg dry	0.0513	0.102	2	EPA 8270D Certifications: CTDOH,NELAC-NY10854,NJDEP,PADEP	10/25/2016 14:08	10/26/2016 11:59	KH
88-06-2	2,4,6-Trichlorophenol	ND		mg/kg dry	0.0513	0.102	2	EPA 8270D Certifications: CTDOH,NELAC-NY10854,NJDEP,PADEP	10/25/2016 14:08	10/26/2016 11:59	KH
120-83-2	2,4-Dichlorophenol	ND		mg/kg dry	0.0513	0.102	2	EPA 8270D Certifications: CTDOH,NELAC-NY10854,NJDEP,PADEP	10/25/2016 14:08	10/26/2016 11:59	KH
105-67-9	2,4-Dimethylphenol	ND		mg/kg dry	0.0513	0.102	2	EPA 8270D Certifications: CTDOH,NELAC-NY10854,NJDEP,PADEP	10/25/2016 14:08	10/26/2016 11:59	KH
51-28-5	2,4-Dinitrophenol	ND		mg/kg dry	0.102	0.205	2	EPA 8270D Certifications: CTDOH,NELAC-NY10854,NJDEP,PADEP	10/25/2016 14:08	10/26/2016 11:59	KH
121-14-2	2,4-Dinitrotoluene	ND		mg/kg dry	0.0513	0.102	2	EPA 8270D Certifications: CTDOH,NELAC-NY10854,NJDEP,PADEP	10/25/2016 14:08	10/26/2016 11:59	KH
606-20-2	2,6-Dinitrotoluene	ND		mg/kg dry	0.0513	0.102	2	EPA 8270D Certifications: CTDOH,NELAC-NY10854,NJDEP,PADEP	10/25/2016 14:08	10/26/2016 11:59	KH
91-58-7	2-Chloronaphthalene	ND		mg/kg dry	0.0513	0.102	2	EPA 8270D Certifications: CTDOH,NELAC-NY10854,NJDEP,PADEP	10/25/2016 14:08	10/26/2016 11:59	KH
95-57-8	2-Chlorophenol	ND		mg/kg dry	0.0513	0.102	2	EPA 8270D Certifications: CTDOH,NELAC-NY10854,NJDEP,PADEP	10/25/2016 14:08	10/26/2016 11:59	KH
91-57-6	2-Methylnaphthalene	ND		mg/kg dry	0.0513	0.102	2	EPA 8270D Certifications: CTDOH,NELAC-NY10854,NJDEP,PADEP	10/25/2016 14:08	10/26/2016 11:59	KH
95-48-7	2-Methylphenol	ND		mg/kg dry	0.0513	0.102	2	EPA 8270D Certifications: CTDOH,NELAC-NY10854,NJDEP,PADEP	10/25/2016 14:08	10/26/2016 11:59	KH
88-74-4	2-Nitroaniline	ND		mg/kg dry	0.102	0.205	2	EPA 8270D Certifications: CTDOH,NELAC-NY10854,NJDEP,PADEP	10/25/2016 14:08	10/26/2016 11:59	KH
88-75-5	2-Nitrophenol	ND		mg/kg dry	0.0513	0.102	2	EPA 8270D Certifications: CTDOH,NELAC-NY10854,NJDEP,PADEP	10/25/2016 14:08	10/26/2016 11:59	KH
65794-96-9	3- & 4-Methylphenols	ND		mg/kg dry	0.0513	0.102	2	EPA 8270D Certifications: CTDOH,NELAC-NY10854,NJDEP,PADEP	10/25/2016 14:08	10/26/2016 11:59	KH
91-94-1	3,3'-Dichlorobenzidine	ND		mg/kg dry	0.0513	0.102	2	EPA 8270D Certifications: NELAC-NY10854,NJDEP,PADEP	10/25/2016 14:08	10/26/2016 11:59	KH
99-09-2	3-Nitroaniline	ND		mg/kg dry	0.102	0.205	2	EPA 8270D Certifications: CTDOH,NELAC-NY10854,NJDEP,PADEP	10/25/2016 14:08	10/26/2016 11:59	KH
534-52-1	4,6-Dinitro-2-methylphenol	ND		mg/kg dry	0.102	0.205	2	EPA 8270D Certifications: CTDOH,NELAC-NY10854,NJDEP,PADEP	10/25/2016 14:08	10/26/2016 11:59	KH
101-55-3	4-Bromophenyl phenyl ether	ND		mg/kg dry	0.0513	0.102	2	EPA 8270D Certifications: CTDOH,NELAC-NY10854,NJDEP,PADEP	10/25/2016 14:08	10/26/2016 11:59	KH
59-50-7	4-Chloro-3-methylphenol	ND		mg/kg dry	0.0513	0.102	2	EPA 8270D Certifications: CTDOH,NELAC-NY10854,NJDEP,PADEP	10/25/2016 14:08	10/26/2016 11:59	KH
106-47-8	4-Chloroaniline	ND		mg/kg dry	0.0513	0.102	2	EPA 8270D Certifications: CTDOH,NELAC-NY10854,NJDEP,PADEP	10/25/2016 14:08	10/26/2016 11:59	KH
7005-72-3	4-Chlorophenyl phenyl ether	ND		mg/kg dry	0.0513	0.102	2	EPA 8270D Certifications: CTDOH,NELAC-NY10854,NJDEP,PADEP	10/25/2016 14:08	10/26/2016 11:59	KH
100-01-6	4-Nitroaniline	ND		mg/kg dry	0.102	0.205	2	EPA 8270D Certifications: CTDOH,NELAC-NY10854,NJDEP,PADEP	10/25/2016 14:08	10/26/2016 11:59	KH

HAZ-202



Sample Information

Client Sample ID: SB-02-6.5-7.0'

York Sample ID: 16J0783-06

York Project (SDG) No.
16J0783

Client Project ID
95th str sewer/water OEGS 15-008-0265

Matrix
Soil

Collection Date/Time
October 20, 2016 10:45 am

Date Received
10/21/2016

Semi-Volatiles, 8270 - Comprehensive

Log-in Notes: VOA-CONT Sample Notes:

Sample Prepared by Method: EPA 3550C

CAS No.	Parameter	Result	Flag	Units	Reported to LOD/MDL	LOQ	Dilution	Reference Method	Date/Time Prepared	Date/Time Analyzed	Analyst
100-02-7	4-Nitrophenol	ND		mg/kg dry	0.102	0.205	2	EPA 8270D Certifications: CTDOH,NELAC-NY10854,NJDEP,PADEP	10/25/2016 14:08	10/26/2016 11:59	KH
83-32-9	Acenaphthene	ND		mg/kg dry	0.0513	0.102	2	EPA 8270D Certifications: CTDOH,NELAC-NY10854,NJDEP,PADEP	10/25/2016 14:08	10/26/2016 11:59	KH
208-96-8	Acenaphthylene	ND		mg/kg dry	0.0513	0.102	2	EPA 8270D Certifications: CTDOH,NELAC-NY10854,NJDEP,PADEP	10/25/2016 14:08	10/26/2016 11:59	KH
98-86-2	Acetophenone	ND		mg/kg dry	0.0513	0.102	2	EPA 8270D Certifications: NELAC-NY10854,NJDEP,PADEP	10/25/2016 14:08	10/26/2016 11:59	KH
62-53-3	Aniline	ND		mg/kg dry	0.205	0.410	2	EPA 8270D Certifications: NELAC-NY10854,NJDEP,PADEP	10/25/2016 14:08	10/26/2016 11:59	KH
120-12-7	Anthracene	ND		mg/kg dry	0.0513	0.102	2	EPA 8270D Certifications: CTDOH,NELAC-NY10854,NJDEP,PADEP	10/25/2016 14:08	10/26/2016 11:59	KH
1912-24-9	Atrazine	ND		mg/kg dry	0.0513	0.102	2	EPA 8270D Certifications: NELAC-NY10854,NJDEP,PADEP	10/25/2016 14:08	10/26/2016 11:59	KH
1052-7	Benzaldehyde	ND		mg/kg dry	0.0513	0.102	2	EPA 8270D Certifications: NELAC-NY10854,NJDEP,PADEP	10/25/2016 14:08	10/26/2016 11:59	KH
92-87-5	Benzidine	ND		mg/kg dry	0.205	0.410	2	EPA 8270D Certifications: CTDOH,NELAC-NY10854,PADEP	10/25/2016 14:08	10/26/2016 11:59	KH
56-55-3	Benzo(a)anthracene	ND		mg/kg dry	0.0513	0.102	2	EPA 8270D Certifications: CTDOH,NELAC-NY10854,NJDEP,PADEP	10/25/2016 14:08	10/26/2016 11:59	KH
50-32-8	Benzo(a)pyrene	ND		mg/kg dry	0.0513	0.102	2	EPA 8270D Certifications: CTDOH,NELAC-NY10854,NJDEP,PADEP	10/25/2016 14:08	10/26/2016 11:59	KH
205-99-2	Benzo(b)fluoranthene	ND		mg/kg dry	0.0513	0.102	2	EPA 8270D Certifications: CTDOH,NELAC-NY10854,NJDEP,PADEP	10/25/2016 14:08	10/26/2016 11:59	KH
191-24-2	Benzo(g,h,i)perylene	ND		mg/kg dry	0.0513	0.102	2	EPA 8270D Certifications: CTDOH,NELAC-NY10854,NJDEP,PADEP	10/25/2016 14:08	10/26/2016 11:59	KH
207-08-9	Benzo(k)fluoranthene	ND		mg/kg dry	0.0513	0.102	2	EPA 8270D Certifications: CTDOH,NELAC-NY10854,NJDEP,PADEP	10/25/2016 14:08	10/26/2016 11:59	KH
65-85-0	Benzoic acid	ND		mg/kg dry	0.0513	0.102	2	EPA 8270D Certifications: NELAC-NY10854,NJDEP,PADEP	10/25/2016 14:08	10/26/2016 11:59	KH
100-51-6	Benzyl alcohol	ND		mg/kg dry	0.0513	0.102	2	EPA 8270D Certifications: NELAC-NY10854,NJDEP,PADEP	10/25/2016 14:08	10/26/2016 11:59	KH
85-68-7	Benzyl butyl phthalate	ND		mg/kg dry	0.0513	0.102	2	EPA 8270D Certifications: CTDOH,NELAC-NY10854,NJDEP,PADEP	10/25/2016 14:08	10/26/2016 11:59	KH
111-91-1	Bis(2-chloroethoxy)methane	ND		mg/kg dry	0.0513	0.102	2	EPA 8270D Certifications: CTDOH,NELAC-NY10854,NJDEP,PADEP	10/25/2016 14:08	10/26/2016 11:59	KH
111-44-4	Bis(2-chloroethyl)ether	ND		mg/kg dry	0.0513	0.102	2	EPA 8270D Certifications: CTDOH,NELAC-NY10854,NJDEP,PADEP	10/25/2016 14:08	10/26/2016 11:59	KH
108-60-1	Bis(2-chloroisopropyl)ether	ND		mg/kg dry	0.0513	0.102	2	EPA 8270D Certifications: CTDOH,NELAC-NY10854,NJDEP,PADEP	10/25/2016 14:08	10/26/2016 11:59	KH
117-81-7	Bis(2-ethylhexyl)phthalate	ND		mg/kg dry	0.0513	0.102	2	EPA 8270D Certifications: CTDOH,NELAC-NY10854,NJDEP,PADEP	10/25/2016 14:08	10/26/2016 11:59	KH
106-60-2	Caprolactam	ND		mg/kg dry	0.102	0.205	2	EPA 8270D Certifications: NELAC-NY10854,NJDEP,PADEP	10/25/2016 14:08	10/26/2016 11:59	KH

HAZ-203



Sample Information

Client Sample ID: SB-02-6.5-7.0'

York Sample ID: 16J0783-06

York Project (SDG) No.
16J0783

Client Project ID
95th str sewer/water OEGS 15-008-0265

Matrix
Soil

Collection Date/Time
October 20, 2016 10:45 am

Date Received
10/21/2016

Semi-Volatiles, 8270 - Comprehensive

Log-in Notes: VOA-CONT

Sample Notes:

Sample Prepared by Method: EPA 3550C

CAS No.	Parameter	Result	Flag	Units	Reported to LOD/MDL	LOQ	Dilution	Reference Method	Date/Time Prepared	Date/Time Analyzed	Analyst
86-74-8	Carbazole	ND		mg/kg dry	0.0513	0.102	2	EPA 8270D Certifications: CTDOH,NELAC-NY10854,NJDEP,PADEP	10/25/2016 14:08	10/26/2016 11:59	KH
218-01-9	Chrysene	ND		mg/kg dry	0.0513	0.102	2	EPA 8270D Certifications: CTDOH,NELAC-NY10854,NJDEP,PADEP	10/25/2016 14:08	10/26/2016 11:59	KH
53-70-3	Dibenzo(a,h)anthracene	ND		mg/kg dry	0.0513	0.102	2	EPA 8270D Certifications: CTDOH,NELAC-NY10854,NJDEP,PADEP	10/25/2016 14:08	10/26/2016 11:59	KH
132-64-9	Dibenzofuran	ND		mg/kg dry	0.0513	0.102	2	EPA 8270D Certifications: CTDOH,NELAC-NY10854,NJDEP,PADEP	10/25/2016 14:08	10/26/2016 11:59	KH
84-66-2	Diethyl phthalate	ND		mg/kg dry	0.0513	0.102	2	EPA 8270D Certifications: CTDOH,NELAC-NY10854,NJDEP,PADEP	10/25/2016 14:08	10/26/2016 11:59	KH
131-11-3	Dimethyl phthalate	ND		mg/kg dry	0.0513	0.102	2	EPA 8270D Certifications: CTDOH,NELAC-NY10854,NJDEP,PADEP	10/25/2016 14:08	10/26/2016 11:59	KH
84-74-2	Di-n-butyl phthalate	ND		mg/kg dry	0.0513	0.102	2	EPA 8270D Certifications: CTDOH,NELAC-NY10854,NJDEP,PADEP	10/25/2016 14:08	10/26/2016 11:59	KH
117-84-0	Di-n-octyl phthalate	ND		mg/kg dry	0.0513	0.102	2	EPA 8270D Certifications: CTDOH,NELAC-NY10854,NJDEP,PADEP	10/25/2016 14:08	10/26/2016 11:59	KH
206-44-0	Fluoranthene	ND		mg/kg dry	0.0513	0.102	2	EPA 8270D Certifications: CTDOH,NELAC-NY10854,NJDEP,PADEP	10/25/2016 14:08	10/26/2016 11:59	KH
86-73-7	Fluorene	ND		mg/kg dry	0.0513	0.102	2	EPA 8270D Certifications: NELAC-NY10854,NJDEP,PADEP	10/25/2016 14:08	10/26/2016 11:59	KH
118-74-1	Hexachlorobenzene	ND		mg/kg dry	0.0513	0.102	2	EPA 8270D Certifications: CTDOH,NELAC-NY10854,NJDEP,PADEP	10/25/2016 14:08	10/26/2016 11:59	KH
87-68-3	Hexachlorobutadiene	ND		mg/kg dry	0.0513	0.102	2	EPA 8270D Certifications: CTDOH,NELAC-NY10854,NJDEP,PADEP	10/25/2016 14:08	10/26/2016 11:59	KH
77-47-4	Hexachlorocyclopentadiene	ND		mg/kg dry	0.0513	0.102	2	EPA 8270D Certifications: CTDOH,NELAC-NY10854,NJDEP,PADEP	10/25/2016 14:08	10/26/2016 11:59	KH
67-72-1	Hexachloroethane	ND		mg/kg dry	0.0513	0.102	2	EPA 8270D Certifications: CTDOH,NELAC-NY10854,NJDEP,PADEP	10/25/2016 14:08	10/26/2016 11:59	KH
193-39-5	Indeno(1,2,3-cd)pyrene	ND		mg/kg dry	0.0513	0.102	2	EPA 8270D Certifications: CTDOH,NELAC-NY10854,NJDEP,PADEP	10/25/2016 14:08	10/26/2016 11:59	KH
78-59-1	Isophorone	ND		mg/kg dry	0.0513	0.102	2	EPA 8270D Certifications: CTDOH,NELAC-NY10854,NJDEP,PADEP	10/25/2016 14:08	10/26/2016 11:59	KH
91-20-3	Naphthalene	ND		mg/kg dry	0.0513	0.102	2	EPA 8270D Certifications: CTDOH,NELAC-NY10854,NJDEP,PADEP	10/25/2016 14:08	10/26/2016 11:59	KH
98-95-3	Nitrobenzene	ND		mg/kg dry	0.0513	0.102	2	EPA 8270D Certifications: CTDOH,NELAC-NY10854,NJDEP,PADEP	10/25/2016 14:08	10/26/2016 11:59	KH
62-75-9	N-Nitrosodimethylamine	ND		mg/kg dry	0.0513	0.102	2	EPA 8270D Certifications: CTDOH,NELAC-NY10854,NJDEP,PADEP	10/25/2016 14:08	10/26/2016 11:59	KH
621-64-7	N-nitroso-di-n-propylamine	ND		mg/kg dry	0.0513	0.102	2	EPA 8270D Certifications: CTDOH,NELAC-NY10854,NJDEP,PADEP	10/25/2016 14:08	10/26/2016 11:59	KH
86-30-6	N-Nitrosodiphenylamine	ND		mg/kg dry	0.0513	0.102	2	EPA 8270D Certifications: CTDOH,NELAC-NY10854,NJDEP,PADEP	10/25/2016 14:08	10/26/2016 11:59	KH
87-86-5	Pentachlorophenol	ND		mg/kg dry	0.0513	0.102	2	EPA 8270D Certifications: CTDOH,NELAC-NY10854,NJDEP,PADEP	10/25/2016 14:08	10/26/2016 11:59	KH

HAZ-204



Sample Information

Client Sample ID: SB-02-6.5-7.0'

York Sample ID: 16J0783-06

York Project (SDG) No. 16J0783

Client Project ID 95th str sewer/water OEGS 15-008-0265

Matrix Soil

Collection Date/Time October 20, 2016 10:45 am

Date Received 10/21/2016

Semi-Volatiles, 8270 - Comprehensive

Log-in Notes: VOA-CONT Sample Notes:

Sample Prepared by Method: EPA 3550C

Table with columns: CAS No., Parameter, Result, Flag, Units, Reported to LOD/MDL, LOQ, Dilution, Reference Method, Date/Time Prepared, Date/Time Analyzed, Analyst. Includes rows for Phenanthrene, Phenol, Pyrene and Surrogate Recoveries.

Pesticides, 8081 target list

Log-in Notes: VOA-CONT Sample Notes:

Sample Prepared by Method: EPA 3550C

Table with columns: CAS No., Parameter, Result, Flag, Units, Reported to LOD/MDL, LOQ, Dilution, Reference Method, Date/Time Prepared, Date/Time Analyzed, Analyst. Lists various pesticides like 4,4'-DDD, 4,4'-DDE, Aldrin, etc.

HAZ-205



Sample Information

Client Sample ID: SB-02-6.5-7.0'

York Sample ID: 16J0783-06

York Project (SDG) No.
16J0783

Client Project ID
95th str sewer/water OEGS 15-008-0265

Matrix
Soil

Collection Date/Time
October 20, 2016 10:45 am

Date Received
10/21/2016

Pesticides, 8081 target list

Log-in Notes: VOA-CONT

Sample Notes:

Sample Prepared by Method: EPA 3550C

CAS No.	Parameter	Result	Flag	Units	LOD/MDL	Reported to LOQ	Dilution	Reference Method	Date/Time Prepared	Date/Time Analyzed	Analyst
1031-07-8	Endosulfan sulfate	ND		mg/kg dry	0.00203	0.00203	5	EPA 8081B Certifications: CTDOH,NELAC-NY10854,NJDEP,PADEP	10/26/2016 12:50	10/27/2016 15:34	AMC
72-20-8	Endrin	ND		mg/kg dry	0.00203	0.00203	5	EPA 8081B Certifications: CTDOH,NELAC-NY10854,NJDEP,PADEP	10/26/2016 12:50	10/27/2016 15:34	AMC
7421-93-4	Endrin aldehyde	ND		mg/kg dry	0.00203	0.00203	5	EPA 8081B Certifications: CTDOH,NELAC-NY10854,NJDEP,PADEP	10/26/2016 12:50	10/27/2016 15:34	AMC
53494-70-5	Endrin ketone	ND		mg/kg dry	0.00203	0.00203	5	EPA 8081B Certifications: CTDOH,NELAC-NY10854,NJDEP,PADEP	10/26/2016 12:50	10/27/2016 15:34	AMC
58-89-9	gamma-BHC (Lindane)	ND		mg/kg dry	0.00203	0.00203	5	EPA 8081B Certifications: CTDOH,NELAC-NY10854,NJDEP,PADEP	10/26/2016 12:50	10/27/2016 15:34	AMC
5566-34-7	gamma-Chlordane	ND		mg/kg dry	0.00203	0.00203	5	EPA 8081B Certifications: NELAC-NY10854,NJDEP	10/26/2016 12:50	10/27/2016 15:34	AMC
76-44-8	Heptachlor	ND		mg/kg dry	0.00203	0.00203	5	EPA 8081B Certifications: CTDOH,NELAC-NY10854,NJDEP,PADEP	10/26/2016 12:50	10/27/2016 15:34	AMC
1024-57-3	Heptachlor epoxide	ND		mg/kg dry	0.00203	0.00203	5	EPA 8081B Certifications: CTDOH,NELAC-NY10854,NJDEP,PADEP	10/26/2016 12:50	10/27/2016 15:34	AMC
72-43-5	Methoxychlor	ND		mg/kg dry	0.0101	0.0101	5	EPA 8081B Certifications: CTDOH,NELAC-NY10854,NJDEP,PADEP	10/26/2016 12:50	10/27/2016 15:34	AMC
8001-35-2	Toxaphene	ND		mg/kg dry	0.103	0.103	5	EPA 8081B Certifications: CTDOH,NELAC-NY10854,NJDEP,PADEP	10/26/2016 12:50	10/27/2016 15:34	AMC
Surrogate Recoveries		Result	Acceptance Range								
2051-24-3	Surrogate: Decachlorobiphenyl	102 %	30-150								
877-09-8	Surrogate: Tetrachloro-m-xylene	101 %	30-150								

Polychlorinated Biphenyls (PCB)

Log-in Notes: VOA-CONT

Sample Notes:

Sample Prepared by Method: EPA 3550C

CAS No.	Parameter	Result	Flag	Units	LOD/MDL	Reported to LOQ	Dilution	Reference Method	Date/Time Prepared	Date/Time Analyzed	Analyst
12674-11-2	Aroclor 1016	ND		mg/kg dry	0.0205	0.0205	1	EPA 8082A Certifications: NELAC-NY10854,CTDOH,NJDEP,PADEP	10/24/2016 07:37	10/25/2016 02:26	AMC
11104-28-2	Aroclor 1221	ND		mg/kg dry	0.0205	0.0205	1	EPA 8082A Certifications: NELAC-NY10854,CTDOH,NJDEP,PADEP	10/24/2016 07:37	10/25/2016 02:26	AMC
11141-16-5	Aroclor 1232	ND		mg/kg dry	0.0205	0.0205	1	EPA 8082A Certifications: NELAC-NY10854,CTDOH,NJDEP,PADEP	10/24/2016 07:37	10/25/2016 02:26	AMC
53469-21-9	Aroclor 1242	ND		mg/kg dry	0.0205	0.0205	1	EPA 8082A Certifications: NELAC-NY10854,CTDOH,NJDEP,PADEP	10/24/2016 07:37	10/25/2016 02:26	AMC
12672-29-6	Aroclor 1248	ND		mg/kg dry	0.0205	0.0205	1	EPA 8082A Certifications: NELAC-NY10854,CTDOH,NJDEP,PADEP	10/24/2016 07:37	10/25/2016 02:26	AMC
11097-69-1	Aroclor 1254	ND		mg/kg dry	0.0205	0.0205	1	EPA 8082A Certifications: NELAC-NY10854,CTDOH,NJDEP,PADEP	10/24/2016 07:37	10/25/2016 02:26	AMC
11096-82-5	Aroclor 1260	ND		mg/kg dry	0.0205	0.0205	1	EPA 8082A Certifications: NELAC-NY10854,CTDOH,NJDEP,PADEP	10/24/2016 07:37	10/25/2016 02:26	AMC



Sample Information

Client Sample ID: SB-02-6.5-7.0'

York Sample ID: 16J0783-06

York Project (SDG) No.
16J0783

Client Project ID
95th str sewer/water OEGS 15-008-0265

Matrix
Soil

Collection Date/Time
October 20, 2016 10:45 am

Date Received
10/21/2016

Polychlorinated Biphenyls (PCB)

Log-in Notes: VOA-CONT

Sample Notes:

Sample Prepared by Method: EPA 3550C

CAS No.	Parameter	Result	Flag	Units	LOD/MDL	Reported to LOQ	Dilution	Reference Method	Date/Time Prepared	Date/Time Analyzed	Analyst
1336-36-3	* Total PCBs	ND		mg/kg dry	0.0205	0.0205	1	EPA 8082A Certifications:	10/24/2016 07:37	10/25/2016 02:26	AMC
	Surrogate Recoveries	Result						Acceptance Range			
877-09-8	Surrogate: Tetrachloro-m-xylene	90.5 %						30-140			
2051-24-3	Surrogate: Decachlorobiphenyl	82.5 %						30-140			

Metals, Target Analyte

Log-in Notes: VOA-CONT

Sample Notes:

Sample Prepared by Method: EPA 3050B

CAS No.	Parameter	Result	Flag	Units	LOD/MDL	Reported to LOQ	Dilution	Reference Method	Date/Time Prepared	Date/Time Analyzed	Analyst
7429-90-5	Aluminum	6620		mg/kg dry	6.14	6.14	1	EPA 6010C Certifications: CTDOH,NELAC-NY10854,NJDEP,PADEP	10/24/2016 11:09	10/24/2016 21:28	KV
7440-36-0	Antimony	ND		mg/kg dry	0.614	0.614	1	EPA 6010C Certifications: CTDOH,NELAC-NY10854,NJDEP,PADEP	10/24/2016 11:09	10/24/2016 21:28	KV
7440-38-2	Arsenic	1.87		mg/kg dry	1.23	1.23	1	EPA 6010C Certifications: CTDOH,NELAC-NY10854,NJDEP,PADEP	10/24/2016 11:09	10/24/2016 21:28	KV
7440-39-3	Barium	9.24		mg/kg dry	1.23	1.23	1	EPA 6010C Certifications: CTDOH,NELAC-NY10854,NJDEP,PADEP	10/24/2016 11:09	10/24/2016 21:28	KV
7440-41-7	Beryllium	ND		mg/kg dry	0.123	0.123	1	EPA 6010C Certifications: CTDOH,NELAC-NY10854,NJDEP,PADEP	10/24/2016 11:09	10/24/2016 21:28	KV
7440-43-9	Cadmium	ND		mg/kg dry	0.368	0.368	1	EPA 6010C Certifications: CTDOH,NELAC-NY10854,NJDEP,PADEP	10/24/2016 11:09	10/24/2016 21:28	KV
7440-70-2	Calcium	431		mg/kg dry	0.614	6.14	1	EPA 6010C Certifications: CTDOH,NELAC-NY10854,NJDEP,PADEP	10/24/2016 11:09	10/24/2016 21:28	KV
7440-47-3	Chromium	15.6		mg/kg dry	0.614	0.614	1	EPA 6010C Certifications: CTDOH,NELAC-NY10854,NJDEP,PADEP	10/24/2016 11:09	10/24/2016 21:28	KV
7440-48-4	Cobalt	5.33		mg/kg dry	0.614	0.614	1	EPA 6010C Certifications: CTDOH,NELAC-NY10854,NJDEP,PADEP	10/24/2016 11:09	10/24/2016 21:28	KV
7440-50-8	Copper	10.3		mg/kg dry	0.614	0.614	1	EPA 6010C Certifications: CTDOH,NELAC-NY10854,NJDEP,PADEP	10/24/2016 11:09	10/24/2016 21:28	KV
7439-89-6	Iron	12900		mg/kg dry	2.46	2.46	1	EPA 6010C Certifications: CTDOH,NELAC-NY10854,NJDEP,PADEP	10/24/2016 11:09	10/24/2016 21:28	KV
7439-92-1	Lead	3.48		mg/kg dry	0.368	0.368	1	EPA 6010C Certifications: CTDOH,NELAC-NY10854,NJDEP,PADEP	10/24/2016 11:09	10/24/2016 21:28	KV
7439-95-4	Magnesium	1410		mg/kg dry	6.14	6.14	1	EPA 6010C Certifications: CTDOH,NELAC-NY10854,NJDEP,PADEP	10/24/2016 11:09	10/24/2016 21:28	KV
7439-96-5	Manganese	97.4		mg/kg dry	0.614	0.614	1	EPA 6010C Certifications: CTDOH,NELAC-NY10854,NJDEP,PADEP	10/24/2016 11:09	10/24/2016 21:28	KV
7440-02-0	Nickel	13.5		mg/kg dry	0.614	0.614	1	EPA 6010C Certifications: CTDOH,NELAC-NY10854,NJDEP,PADEP	10/24/2016 11:09	10/24/2016 21:28	KV
7440-09-7	Potassium	304		mg/kg dry	6.14	6.14	1	EPA 6010C Certifications: CTDOH,NELAC-NY10854,NJDEP,PADEP	10/24/2016 11:09	10/24/2016 21:28	KV
7440-19-2	Selenium	ND		mg/kg dry	1.23	1.23	1	EPA 6010C Certifications: CTDOH,NELAC-NY10854,NJDEP,PADEP	10/24/2016 11:09	10/24/2016 21:28	KV



Sample Information

Client Sample ID: SB-02-6.5-7.0' **York Sample ID:** 16J0783-06
York Project (SDG) No.: 16J0783 **Client Project ID:** 95th str sewer/water OEGS 15-008-0265 **Matrix:** Soil **Collection Date/Time:** October 20, 2016 10:45 am **Date Received:** 10/21/2016

Metals, Target Analyte

Log-in Notes: VOA-CONT **Sample Notes:**

Sample Prepared by Method: EPA 3050B

CAS No.	Parameter	Result	Flag	Units	LOD/MDL	Reported to LOQ	Dilution	Reference Method	Date/Time Prepared	Date/Time Analyzed	Analyst
7440-22-4	Silver	ND		mg/kg dry	0.614	0.614	1	EPA 6010C Certifications: CTDOH,NELAC-NY10854,NJDEP,PADEP	10/24/2016 11:09	10/24/2016 21:28	KV
7440-23-5	Sodium	168		mg/kg dry	12.3	12.3	1	EPA 6010C Certifications: CTDOH,NELAC-NY10854,NJDEP	10/24/2016 11:09	10/24/2016 21:28	KV
7440-28-0	Thallium	ND		mg/kg dry	1.23	1.23	1	EPA 6010C Certifications: CTDOH,NELAC-NY10854,NJDEP,PADEP	10/24/2016 11:09	10/24/2016 21:28	KV
7440-62-2	Vanadium	20.0		mg/kg dry	1.23	1.23	1	EPA 6010C Certifications: CTDOH,NELAC-NY10854,NJDEP,PADEP	10/24/2016 11:09	10/24/2016 21:28	KV
7440-66-6	Zinc	21.4		mg/kg dry	1.23	1.23	1	EPA 6010C Certifications: CTDOH,NELAC-NY10854,NJDEP,PADEP	10/24/2016 11:09	10/24/2016 21:28	KV

Mercury by 7473

Log-in Notes: VOA-CONT **Sample Notes:**

Sample Prepared by Method: EPA 7473 soil

CAS No.	Parameter	Result	Flag	Units	LOD/MDL	Reported to LOQ	Dilution	Reference Method	Date/Time Prepared	Date/Time Analyzed	Analyst
7439-97-6	Mercury	ND		mg/kg dry	0.0368	0.0368	1	EPA 7473 Certifications: CTDOH,NJDEP,NELAC-NY10854,PADEP	10/24/2016 06:31	10/24/2016 14:16	KV

Total Solids

Log-in Notes: VOA-CONT **Sample Notes:**

Sample Prepared by Method: % Solids Prep

CAS No.	Parameter	Result	Flag	Units	LOD/MDL	Reported to LOQ	Dilution	Reference Method	Date/Time Prepared	Date/Time Analyzed	Analyst
solids	* % Solids	81.4		%	0.100	0.100	1	SM 2540G Certifications: CTDOH	10/25/2016 08:59	10/25/2016 12:26	TJM

Sample Information

Client Sample ID: SB-02-COMP **York Sample ID:** 16J0783-07
York Project (SDG) No.: 16J0783 **Client Project ID:** 95th str sewer/water OEGS 15-008-0265 **Matrix:** Soil **Collection Date/Time:** October 20, 2016 10:50 am **Date Received:** 10/21/2016

Total Petroleum Hydrocarbons-DRO (C10-C28)

Log-in Notes: **Sample Notes:**

Sample Prepared by Method: EPA 3550C

CAS No.	Parameter	Result	Flag	Units	LOD/MDL	Reported to LOQ	Dilution	Reference Method	Date/Time Prepared	Date/Time Analyzed	Analyst
	Total Petroleum Hydrocarbons-DRO	32.0		mg/kg dry	4.39	12.9	1	EPA 8015D Certifications: NELAC-NY10854,NJDEP,PADEP	10/25/2016 14:10	10/26/2016 21:36	AMC
	Surrogate Recoveries	Result			Acceptance Range						
638-68-6	Surrogate: Triacontane	64.9 %			30-150						

HAZ-208



Sample Information

Client Sample ID: SB-02-COMP

York Sample ID: 16J0783-07

York Project (SDG) No.
16J0783

Client Project ID
95th str sewer/water OEGS 15-008-0265

Matrix
Soil

Collection Date/Time
October 20, 2016 10:50 am

Date Received
10/21/2016

Total Petroleum Hydrocarbons-GRO (C5-C10)

Log-in Notes:

Sample Notes: VOA-CONT

Sample Prepared by Method: EPA 5035A

CAS No.	Parameter	Result	Flag	Units	LOD/MDL	Reported to LOQ	Dilution	Reference Method	Date/Time Prepared	Date/Time Analyzed	Analyst
	Total Petroleum Hydrocarbons-GRO	ND		mg/kg dry	51.6	103	100	EPA 8015D Certifications: NELAC-NY10854,NJDEP,PADEP	10/27/2016 12:16	10/27/2016 18:15	OW
460-00-4	Surrogate Recoveries Surrogate: p-Bromofluorobenzene	Result 91.8 %			Acceptance Range 70-130						

Metals, TCLP RCRA

Log-in Notes:

Sample Notes:

Sample Prepared by Method: EPA 3015A/1311

CAS No.	Parameter	Result	Flag	Units	LOD/MDL	Reported to LOQ	Dilution	Reference Method	Date/Time Prepared	Date/Time Analyzed	Analyst
7440-38-2	Arsenic	ND		mg/L	0.004	0.004	1	EPA 6010C/1311 Certifications: CTDOH,NELAC-NY10854,NJDEP,PADEP	10/25/2016 12:41	10/25/2016 20:36	KV
7440-39-3	Barium	0.158		mg/L	0.011	0.011	1	EPA 6010C/1311 Certifications: CTDOH,NELAC-NY10854,NJDEP,PADEP	10/25/2016 12:41	10/25/2016 20:36	KV
7440-43-9	Cadmium	ND		mg/L	0.003	0.003	1	EPA 6010C/1311 Certifications: CTDOH,NELAC-NY10854,NJDEP,PADEP	10/25/2016 12:41	10/25/2016 20:36	KV
7440-47-3	Chromium	0.006		mg/L	0.006	0.006	1	EPA 6010C/1311 Certifications: CTDOH,NELAC-NY10854,NJDEP,PADEP	10/25/2016 12:41	10/25/2016 20:36	KV
7439-92-1	Lead	0.007		mg/L	0.003	0.003	1	EPA 6010C/1311 Certifications: CTDOH,NELAC-NY10854,NJDEP,PADEP	10/25/2016 12:41	10/25/2016 20:36	KV
7782-49-2	Selenium	0.012		M-SeT mg/L C	0.011	0.011	1	EPA 6010C/1311 Certifications: CTDOH,NELAC-NY10854,NJDEP,PADEP	10/25/2016 12:41	10/25/2016 20:36	KV
7440-22-4	Silver	ND		mg/L	0.006	0.006	1	EPA 6010C/1311 Certifications: CTDOH,NELAC-NY10854,NJDEP,PADEP	10/25/2016 12:41	10/25/2016 20:36	KV

Mercury TCLP by 7473

Log-in Notes:

Sample Notes:

Sample Prepared by Method: EPA 7473 water

CAS No.	Parameter	Result	Flag	Units	LOD/MDL	Reported to LOQ	Dilution	Reference Method	Date/Time Prepared	Date/Time Analyzed	Analyst
7439-97-6	Mercury	ND		mg/L	0.0000390	0.000200	1	EPA 7473/1311 Certifications: CTDOH,NJDEP,PADEP,NELAC-NY10854	10/26/2016 06:18	10/26/2016 11:23	ALD

Ignitability

Log-in Notes:

Sample Notes:

Sample Prepared by Method: Analysis Preparation

CAS No.	Parameter	Result	Flag	Units	LOD/MDL	Reported to LOQ	Dilution	Reference Method	Date/Time Prepared	Date/Time Analyzed	Analyst
	* Ignitability	Non-Ignit.		-	1	1	1	EPA 1030P Certifications: CTDOH,PADEP	10/21/2016 23:59	10/22/2016 00:15	AA

Total Solids

Log-in Notes:

Sample Notes:

Sample Prepared by Method: % Solids Prep

CAS No.	Parameter	Result	Flag	Units	LOD/MDL	Reported to LOQ	Dilution	Reference Method	Date/Time Prepared	Date/Time Analyzed	Analyst
	* % Solids	77.5		%	0.100	0.100	1	SM 2540G Certifications: CTDOH	10/25/2016 08:59	10/25/2016 12:26	TJM

120 RESEARCH DRIVE

STRATFORD, CT 06615

(203) 325-1371

FAX (203) 357-0166

HAZ-209



Sample Information

Client Sample ID: SB-02-COMP **York Sample ID:** 16J0783-07
York Project (SDG) No. 16J0783 **Client Project ID** 95th str sewer/water OEGS 15-008-0265 **Matrix** Soil **Collection Date/Time** October 20, 2016 10:50 am **Date Received** 10/21/2016

Corrosivity

Log-in Notes:

Sample Notes:

Sample Prepared by Method: Analysis Preparation

CAS No.	Parameter	Result	Flag	Units	LOD/MDL	Reported to LOQ	Dilution	Reference Method	Date/Time Prepared	Date/Time Analyzed	Analyst
	pH	6.27		HT-pH pH units		0.500	1	EPA 9045D Certifications: NELAC-NY10854,CTDOH,PADEP	10/25/2016 09:02	10/25/2016 16:12	DM1

Reactivity-Cyanide

Log-in Notes:

Sample Notes:

Sample Prepared by Method: Analysis Preparation

CAS No.	Parameter	Result	Flag	Units	LOD/MDL	Reported to LOQ	Dilution	Reference Method	Date/Time Prepared	Date/Time Analyzed	Analyst
	* Reactivity - Cyanide	ND		mg/kg	0.250	0.250	1	EPA SW-846 Ch.7.3.3 Certifications: CTDOH,PADEP	10/28/2016 15:05	10/28/2016 16:39	AD

Reactivity-Sulfide

Log-in Notes:

Sample Notes:

Sample Prepared by Method: Analysis Preparation

CAS No.	Parameter	Result	Flag	Units	LOD/MDL	Reported to LOQ	Dilution	Reference Method	Date/Time Prepared	Date/Time Analyzed	Analyst
	* Reactivity - Sulfide	ND		mg/kg	15.0	15.0	1	EPA SW-846 Ch.7.3.4 Certifications: CTDOH,PADEP	10/28/2016 15:06	10/28/2016 16:39	AD

TCLP Extraction for METALS EPA 1311

Log-in Notes:

Sample Notes:

Sample Prepared by Method: EPA SW 846-1311 TCLP ext. for metals

CAS No.	Parameter	Result	Flag	Units	LOD/MDL	Reported to LOQ	Dilution	Reference Method	Date/Time Prepared	Date/Time Analyzed	Analyst
	TCLP Extraction	Completed		N/A	1.00	1.00	1	EPA 1311 Certifications: NELAC-NY10854,CTDOH,NJDEP,PADEP	10/24/2016 17:36	10/25/2016 13:48	TJM

Sample Information

Client Sample ID: SB-04-3.5-4.0' **York Sample ID:** 16J0783-08
York Project (SDG) No. 16J0783 **Client Project ID** 95th str sewer/water OEGS 15-008-0265 **Matrix** Soil **Collection Date/Time** October 20, 2016 11:45 am **Date Received** 10/21/2016

Volatile Organics, 8260 - Comprehensive

Log-in Notes:

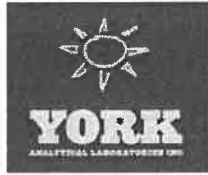
VOA-CONT

Sample Notes:

Sample Prepared by Method: EPA 5035A

CAS No.	Parameter	Result	Flag	Units	LOD/MDL	Reported to LOQ	Dilution	Reference Method	Date/Time Prepared	Date/Time Analyzed	Analyst
630-20-6	1,1,1,2-Tetrachloroethane	ND		mg/kg dry	0.0039	0.0078	1	EPA 8260C Certifications: CTDOH,NELAC-NY10854,NJDEP	10/27/2016 08:37	10/27/2016 13:44	BK
71-55-6	1,1,1-Trichloroethane	ND		mg/kg dry	0.0039	0.0078	1	EPA 8260C Certifications: CTDOH,NELAC-NY10854,NJDEP,PADEP	10/27/2016 08:37	10/27/2016 13:44	BK
79-34-5	1,1,2,2-Tetrachloroethane	ND		mg/kg dry	0.0039	0.0078	1	EPA 8260C Certifications: CTDOH,NELAC-NY10854,NJDEP,PADEP	10/27/2016 08:37	10/27/2016 13:44	B.

HAZ-210



Sample Information

Client Sample ID: SB-04-3.5-4.0'

York Sample ID: 16J0783-08

York Project (SDG) No.
16J0783

Client Project ID
95th str sewer/water OEGS 15-008-0265

Matrix
Soil

Collection Date/Time
October 20, 2016 11:45 am

Date Received
10/21/2016

Volatile Organics, 8260 - Comprehensive

Log-in Notes: VOA-CONT Sample Notes:

Sample Prepared by Method: EPA 5035A

CAS No.	Parameter	Result	Flag	Units	Reported to LOD/MDL	LOQ	Dilution	Reference Method	Date/Time Prepared	Date/Time Analyzed	Analyst
76-13-1	1,1,2-Trichloro-1,2,2-trifluoroethane (Freon 113)	ND		mg/kg dry	0.0039	0.0078	1	EPA 8260C Certifications: CTDOH,NELAC-NY10854,NJDEP	10/27/2016 08:37	10/27/2016 13:44	BK
79-00-5	1,1,2-Trichloroethane	ND		mg/kg dry	0.0039	0.0078	1	EPA 8260C Certifications: CTDOH,NELAC-NY10854,NJDEP,PADEP	10/27/2016 08:37	10/27/2016 13:44	BK
75-34-3	1,1-Dichloroethane	ND		mg/kg dry	0.0039	0.0078	1	EPA 8260C Certifications: CTDOH,NELAC-NY10854,NJDEP,PADEP	10/27/2016 08:37	10/27/2016 13:44	BK
75-35-4	1,1-Dichloroethylene	ND		mg/kg dry	0.0039	0.0078	1	EPA 8260C Certifications: CTDOH,NELAC-NY10854,NJDEP,PADEP	10/27/2016 08:37	10/27/2016 13:44	BK
87-61-6	1,2,3-Trichlorobenzene	ND		mg/kg dry	0.0039	0.0078	1	EPA 8260C Certifications: NELAC-NY10854,NJDEP	10/27/2016 08:37	10/27/2016 13:44	BK
96-18-4	1,2,3-Trichloropropane	ND		mg/kg dry	0.0039	0.0078	1	EPA 8260C Certifications: NELAC-NY10854,NJDEP	10/27/2016 08:37	10/27/2016 13:44	BK
120-82-1	1,2,4-Trichlorobenzene	ND		mg/kg dry	0.0039	0.0078	1	EPA 8260C Certifications: NELAC-NY10854,NJDEP	10/27/2016 08:37	10/27/2016 13:44	BK
93-6	1,2,4-Trimethylbenzene	ND		mg/kg dry	0.0039	0.0078	1	EPA 8260C Certifications: CTDOH,NELAC-NY10854,NJDEP	10/27/2016 08:37	10/27/2016 13:44	BK
96-12-8	1,2-Dibromo-3-chloropropane	ND		mg/kg dry	0.0039	0.0078	1	EPA 8260C Certifications: CTDOH,NELAC-NY10854,NJDEP	10/27/2016 08:37	10/27/2016 13:44	BK
106-93-4	1,2-Dibromoethane	ND		mg/kg dry	0.0039	0.0078	1	EPA 8260C Certifications: CTDOH,NELAC-NY10854,NJDEP	10/27/2016 08:37	10/27/2016 13:44	BK
95-50-1	1,2-Dichlorobenzene	ND		mg/kg dry	0.0039	0.0078	1	EPA 8260C Certifications: CTDOH,NELAC-NY10854,NJDEP,PADEP	10/27/2016 08:37	10/27/2016 13:44	BK
107-06-2	1,2-Dichloroethane	ND		mg/kg dry	0.0039	0.0078	1	EPA 8260C Certifications: CTDOH,NELAC-NY10854,NJDEP,PADEP	10/27/2016 08:37	10/27/2016 13:44	BK
78-87-5	1,2-Dichloropropane	ND		mg/kg dry	0.0039	0.0078	1	EPA 8260C Certifications: CTDOH,NELAC-NY10854,NJDEP	10/27/2016 08:37	10/27/2016 13:44	BK
108-67-8	1,3,5-Trimethylbenzene	ND		mg/kg dry	0.0039	0.0078	1	EPA 8260C Certifications: CTDOH,NELAC-NY10854,NJDEP	10/27/2016 08:37	10/27/2016 13:44	BK
541-73-1	1,3-Dichlorobenzene	ND		mg/kg dry	0.0039	0.0078	1	EPA 8260C Certifications: CTDOH,NELAC-NY10854,NJDEP,PADEP	10/27/2016 08:37	10/27/2016 13:44	BK
106-46-7	1,4-Dichlorobenzene	ND		mg/kg dry	0.0039	0.0078	1	EPA 8260C Certifications: CTDOH,NELAC-NY10854,NJDEP,PADEP	10/27/2016 08:37	10/27/2016 13:44	BK
123-91-1	1,4-Dioxane	ND		mg/kg dry	0.078	0.16	1	EPA 8260C Certifications: NELAC-NY10854,NJDEP	10/27/2016 08:37	10/27/2016 13:44	BK
78-93-3	2-Butanone	0.019	CCV-E	mg/kg dry	0.0039	0.0078	1	EPA 8260C Certifications: CTDOH,NELAC-NY10854,NJDEP	10/27/2016 08:37	10/27/2016 13:44	BK
591-78-6	2-Hexanone	ND		mg/kg dry	0.0039	0.0078	1	EPA 8260C Certifications: CTDOH,NELAC-NY10854,NJDEP	10/27/2016 08:37	10/27/2016 13:44	BK
108-10-1	4-Methyl-2-pentanone	ND		mg/kg dry	0.0039	0.0078	1	EPA 8260C Certifications: CTDOH,NELAC-NY10854,NJDEP	10/27/2016 08:37	10/27/2016 13:44	BK
67-64-1	Acetone	0.11	CCV-E	mg/kg dry	0.0078	0.016	1	EPA 8260C Certifications: CTDOH,NELAC-NY10854,NJDEP	10/27/2016 08:37	10/27/2016 13:44	BK
52-8	Acrolein	ND		mg/kg dry	0.0078	0.016	1	EPA 8260C Certifications: CTDOH,NELAC-NY10854,NJDEP	10/27/2016 08:37	10/27/2016 13:44	BK

HAZ-211



Sample Information

Client Sample ID: SB-04-3.5-4.0'

York Sample ID: 16J0783-08

York Project (SDG) No.
16J0783

Client Project ID
95th str sewer/water OEGS 15-008-0265

Matrix
Soil

Collection Date/Time
October 20, 2016 11:45 am

Date Received
10/21/2016

Volatile Organics, 8260 - Comprehensive

Log-in Notes: VOA-CONT Sample Notes:

Sample Prepared by Method: EPA 5035A

CAS No.	Parameter	Result	Flag	Units	Reported to LOD/MDL	LOQ	Dilution	Reference Method	Date/Time Prepared	Date/Time Analyzed	Analyst
107-13-1	Acrylonitrile	ND		mg/kg dry	0.0039	0.0078	1	EPA 8260C Certifications: CTDOH,NELAC-NY10854,NJDEP	10/27/2016 08:37	10/27/2016 13:44	BK
71-43-2	Benzene	ND		mg/kg dry	0.0039	0.0078	1	EPA 8260C Certifications: CTDOH,NELAC-NY10854,NJDEP,PADEP	10/27/2016 08:37	10/27/2016 13:44	BK
74-97-5	Bromochloromethane	ND		mg/kg dry	0.0039	0.0078	1	EPA 8260C Certifications: NELAC-NY10854,NJDEP	10/27/2016 08:37	10/27/2016 13:44	BK
75-27-4	Bromodichloromethane	ND		mg/kg dry	0.0039	0.0078	1	EPA 8260C Certifications: CTDOH,NELAC-NY10854,NJDEP,PADEP	10/27/2016 08:37	10/27/2016 13:44	BK
75-25-2	Bromoform	ND		mg/kg dry	0.0039	0.0078	1	EPA 8260C Certifications: CTDOH,NELAC-NY10854,NJDEP,PADEP	10/27/2016 08:37	10/27/2016 13:44	BK
74-83-9	Bromomethane	ND		mg/kg dry	0.0039	0.0078	1	EPA 8260C Certifications: CTDOH,NELAC-NY10854,NJDEP,PADEP	10/27/2016 08:37	10/27/2016 13:44	BK
75-15-0	Carbon disulfide	ND		mg/kg dry	0.0039	0.0078	1	EPA 8260C Certifications: CTDOH,NELAC-NY10854,NJDEP	10/27/2016 08:37	10/27/2016 13:44	BK
56-23-5	Carbon tetrachloride	ND		mg/kg dry	0.0039	0.0078	1	EPA 8260C Certifications: CTDOH,NELAC-NY10854,NJDEP,PADEP	10/27/2016 08:37	10/27/2016 13:44	BK
108-90-7	Chlorobenzene	ND		mg/kg dry	0.0039	0.0078	1	EPA 8260C Certifications: CTDOH,NELAC-NY10854,NJDEP,PADEP	10/27/2016 08:37	10/27/2016 13:44	BK
75-00-3	Chloroethane	ND		mg/kg dry	0.0039	0.0078	1	EPA 8260C Certifications: CTDOH,NELAC-NY10854,NJDEP,PADEP	10/27/2016 08:37	10/27/2016 13:44	BK
67-66-3	Chloroform	ND		mg/kg dry	0.0039	0.0078	1	EPA 8260C Certifications: CTDOH,NELAC-NY10854,NJDEP,PADEP	10/27/2016 08:37	10/27/2016 13:44	BK
74-87-3	Chloromethane	ND		mg/kg dry	0.0039	0.0078	1	EPA 8260C Certifications: CTDOH,NELAC-NY10854,NJDEP,PADEP	10/27/2016 08:37	10/27/2016 13:44	BK
156-59-2	cis-1,2-Dichloroethylene	ND		mg/kg dry	0.0039	0.0078	1	EPA 8260C Certifications: CTDOH,NELAC-NY10854,NJDEP	10/27/2016 08:37	10/27/2016 13:44	BK
10061-01-5	cis-1,3-Dichloropropylene	ND		mg/kg dry	0.0039	0.0078	1	EPA 8260C Certifications: CTDOH,NELAC-NY10854,NJDEP,PADEP	10/27/2016 08:37	10/27/2016 13:44	BK
110-82-7	Cyclohexane	ND		mg/kg dry	0.0039	0.0078	1	EPA 8260C Certifications: NELAC-NY10854,NJDEP	10/27/2016 08:37	10/27/2016 13:44	BK
124-48-1	Dibromochloromethane	ND		mg/kg dry	0.0039	0.0078	1	EPA 8260C Certifications: NELAC-NY10854,NJDEP,PADEP	10/27/2016 08:37	10/27/2016 13:44	BK
74-95-3	Dibromomethane	ND		mg/kg dry	0.0039	0.0078	1	EPA 8260C Certifications: NELAC-NY10854,NJDEP	10/27/2016 08:37	10/27/2016 13:44	BK
75-71-8	Dichlorodifluoromethane	ND		mg/kg dry	0.0039	0.0078	1	EPA 8260C Certifications: NELAC-NY10854,NJDEP	10/27/2016 08:37	10/27/2016 13:44	BK
100-41-4	Ethyl Benzene	ND		mg/kg dry	0.0039	0.0078	1	EPA 8260C Certifications: CTDOH,NELAC-NY10854,NJDEP,PADEP	10/27/2016 08:37	10/27/2016 13:44	BK
87-68-3	Hexachlorobutadiene	ND		mg/kg dry	0.0039	0.0078	1	EPA 8260C Certifications: NELAC-NY10854,NJDEP	10/27/2016 08:37	10/27/2016 13:44	BK
98-82-8	Isopropylbenzene	ND		mg/kg dry	0.0039	0.0078	1	EPA 8260C Certifications: CTDOH,NELAC-NY10854,NJDEP	10/27/2016 08:37	10/27/2016 13:44	BK
79-20-9	Methyl acetate	ND		mg/kg dry	0.0039	0.0078	1	EPA 8260C Certifications: NELAC-NY10854,NJDEP	10/27/2016 08:37	10/27/2016 13:44	BK

HAZ-212



Sample Information

Client Sample ID: SB-04-3.5-4.0'

York Sample ID: 16J0783-08

York Project (SDG) No.
16J0783

Client Project ID
95th str sewer/water OEGS 15-008-0265

Matrix
Soil

Collection Date/Time
October 20, 2016 11:45 am

Date Received
10/21/2016

Volatile Organics, 8260 - Comprehensive

Log-in Notes: VOA-CONT Sample Notes:

Sample Prepared by Method: EPA 5035A

CAS No.	Parameter	Result	Flag	Units	Reported to LOD/MDL	LOQ	Dilution	Reference Method	Date/Time Prepared	Date/Time Analyzed	Analyst
1634-04-4	Methyl tert-butyl ether (MTBE)	ND		mg/kg dry	0.0039	0.0078	1	EPA 8260C Certifications: CTDOH,NELAC-NY10854,NJDEP	10/27/2016 08:37	10/27/2016 13:44	BK
108-87-2	Methylcyclohexane	ND		mg/kg dry	0.0039	0.0078	1	EPA 8260C Certifications: NELAC-NY10854,NJDEP	10/27/2016 08:37	10/27/2016 13:44	BK
75-09-2	Methylene chloride	ND		mg/kg dry	0.0078	0.016	1	EPA 8260C Certifications: CTDOH,NELAC-NY10854,NJDEP,PADEP	10/27/2016 08:37	10/27/2016 13:44	BK
104-51-8	n-Butylbenzene	ND		mg/kg dry	0.0039	0.0078	1	EPA 8260C Certifications: CTDOH,NELAC-NY10854,NJDEP	10/27/2016 08:37	10/27/2016 13:44	BK
103-65-1	n-Propylbenzene	ND		mg/kg dry	0.0039	0.0078	1	EPA 8260C Certifications: CTDOH,NELAC-NY10854,NJDEP	10/27/2016 08:37	10/27/2016 13:44	BK
95-47-6	o-Xylene	ND		mg/kg dry	0.0039	0.0078	1	EPA 8260C Certifications: CTDOH,NELAC-NY10854	10/27/2016 08:37	10/27/2016 13:44	BK
179601-23-1	p- & m- Xylenes	ND		mg/kg dry	0.0078	0.016	1	EPA 8260C Certifications: CTDOH,NELAC-NY10854	10/27/2016 08:37	10/27/2016 13:44	BK
87-6	p-Isopropyltoluene	ND		mg/kg dry	0.0039	0.0078	1	EPA 8260C Certifications: CTDOH,NELAC-NY10854,NJDEP	10/27/2016 08:37	10/27/2016 13:44	BK
135-98-8	sec-Butylbenzene	ND		mg/kg dry	0.0039	0.0078	1	EPA 8260C Certifications: CTDOH,NELAC-NY10854,NJDEP	10/27/2016 08:37	10/27/2016 13:44	BK
100-42-5	Styrene	ND		mg/kg dry	0.0039	0.0078	1	EPA 8260C Certifications: CTDOH,NELAC-NY10854,NJDEP	10/27/2016 08:37	10/27/2016 13:44	BK
75-65-0	tert-Butyl alcohol (TBA)	ND		mg/kg dry	0.0039	0.0078	1	EPA 8260C Certifications: NELAC-NY10854,NJDEP	10/27/2016 08:37	10/27/2016 13:44	BK
98-06-6	tert-Butylbenzene	ND		mg/kg dry	0.0039	0.0078	1	EPA 8260C Certifications: CTDOH,NELAC-NY10854,NJDEP	10/27/2016 08:37	10/27/2016 13:44	BK
127-18-4	Tetrachloroethylene	0.0048	J	mg/kg dry	0.0039	0.0078	1	EPA 8260C Certifications: CTDOH,NELAC-NY10854,NJDEP,PADEP	10/27/2016 08:37	10/27/2016 13:44	BK
108-88-3	Toluene	ND		mg/kg dry	0.0039	0.0078	1	EPA 8260C Certifications: CTDOH,NELAC-NY10854,NJDEP,PADEP	10/27/2016 08:37	10/27/2016 13:44	BK
156-60-5	trans-1,2-Dichloroethylene	ND		mg/kg dry	0.0039	0.0078	1	EPA 8260C Certifications: CTDOH,NELAC-NY10854,NJDEP	10/27/2016 08:37	10/27/2016 13:44	BK
10061-02-6	trans-1,3-Dichloropropylene	ND		mg/kg dry	0.0039	0.0078	1	EPA 8260C Certifications: CTDOH,NELAC-NY10854,NJDEP,PADEP	10/27/2016 08:37	10/27/2016 13:44	BK
79-01-6	Trichloroethylene	ND		mg/kg dry	0.0039	0.0078	1	EPA 8260C Certifications: CTDOH,NELAC-NY10854,NJDEP,PADEP	10/27/2016 08:37	10/27/2016 13:44	BK
75-69-4	Trichlorofluoromethane	ND		mg/kg dry	0.0039	0.0078	1	EPA 8260C Certifications: CTDOH,NELAC-NY10854,NJDEP,PADEP	10/27/2016 08:37	10/27/2016 13:44	BK
75-01-4	Vinyl Chloride	ND		mg/kg dry	0.0039	0.0078	1	EPA 8260C Certifications: CTDOH,NELAC-NY10854,NJDEP,PADEP	10/27/2016 08:37	10/27/2016 13:44	BK
1330-20-7	Xylenes, Total	ND		mg/kg dry	0.012	0.023	1	EPA 8260C Certifications: CTDOH,NELAC-NY10854,NJDEP,PADEP	10/27/2016 08:37	10/27/2016 13:44	BK

Surrogate Recoveries

Result

Acceptance Range

107-0	Surrogate: 1,2-Dichloroethane-d4	106 %	77-125
2037-26-5	Surrogate: Toluene-d8	107 %	85-120
460-00-4	Surrogate: p-Bromofluorobenzene	106 %	76-130

HAZ-213



Sample Information

Client Sample ID: SB-04-3.5-4.0' **York Sample ID:** 16J0783-08
York Project (SDG) No. 16J0783 **Client Project ID** 95th str sewer/water OEGS 15-008-0265 **Matrix** Soil **Collection Date/Time** October 20, 2016 11:45 am **Date Received** 10/21/2016

Semi-Volatiles, 8270 - Comprehensive

Log-in Notes: VOA-CONT **Sample Notes:**

Sample Prepared by Method: EPA 3550C

CAS No.	Parameter	Result	Flag	Units	Reported to LOD/MDL	LOQ	Dilution	Reference Method	Date/Time Prepared	Date/Time Analyzed	Analyst
92-52-4	1,1'-Biphenyl	ND		mg/kg dry	0.0653	0.130	2	EPA 8270D Certifications: NELAC-NY10854,NJDEP,PADEP	10/25/2016 14:08	10/26/2016 12:30	KH
95-94-3	1,2,4,5-Tetrachlorobenzene	ND		mg/kg dry	0.130	0.260	2	EPA 8270D Certifications: NELAC-NY10854,NJDEP,PADEP	10/25/2016 14:08	10/26/2016 12:30	KH
120-82-1	1,2,4-Trichlorobenzene	ND		mg/kg dry	0.0653	0.130	2	EPA 8270D Certifications: CTDOH,NELAC-NY10854,NJDEP,PADEP	10/25/2016 14:08	10/26/2016 12:30	KH
95-50-1	1,2-Dichlorobenzene	ND		mg/kg dry	0.0653	0.130	2	EPA 8270D Certifications: NELAC-NY10854,PADEP	10/25/2016 14:08	10/26/2016 12:30	KH
122-66-7	1,2-Diphenylhydrazine (as Azobenzene)	ND		mg/kg dry	0.0653	0.130	2	EPA 8270D Certifications: NELAC-NY10854,NJDEP,PADEP	10/25/2016 14:08	10/26/2016 12:30	KH
541-73-1	1,3-Dichlorobenzene	ND		mg/kg dry	0.0653	0.130	2	EPA 8270D Certifications: NELAC-NY10854,PADEP	10/25/2016 14:08	10/26/2016 12:30	KH
106-46-7	1,4-Dichlorobenzene	ND		mg/kg dry	0.0653	0.130	2	EPA 8270D Certifications: NELAC-NY10854,PADEP	10/25/2016 14:08	10/26/2016 12:30	KH
58-90-2	2,3,4,6-Tetrachlorophenol	ND		mg/kg dry	0.130	0.260	2	EPA 8270D Certifications: NELAC-NY10854,NJDEP,PADEP	10/25/2016 14:08	10/26/2016 12:30	KH
95-95-4	2,4,5-Trichlorophenol	ND		mg/kg dry	0.0653	0.130	2	EPA 8270D Certifications: CTDOH,NELAC-NY10854,NJDEP,PADEP	10/25/2016 14:08	10/26/2016 12:30	KH
88-06-2	2,4,6-Trichlorophenol	ND		mg/kg dry	0.0653	0.130	2	EPA 8270D Certifications: CTDOH,NELAC-NY10854,NJDEP,PADEP	10/25/2016 14:08	10/26/2016 12:30	KH
120-83-2	2,4-Dichlorophenol	ND		mg/kg dry	0.0653	0.130	2	EPA 8270D Certifications: CTDOH,NELAC-NY10854,NJDEP,PADEP	10/25/2016 14:08	10/26/2016 12:30	KH
105-67-9	2,4-Dimethylphenol	ND		mg/kg dry	0.0653	0.130	2	EPA 8270D Certifications: CTDOH,NELAC-NY10854,NJDEP,PADEP	10/25/2016 14:08	10/26/2016 12:30	KH
51-28-5	2,4-Dinitrophenol	ND		mg/kg dry	0.130	0.260	2	EPA 8270D Certifications: CTDOH,NELAC-NY10854,NJDEP,PADEP	10/25/2016 14:08	10/26/2016 12:30	KH
121-14-2	2,4-Dinitrotoluene	ND		mg/kg dry	0.0653	0.130	2	EPA 8270D Certifications: CTDOH,NELAC-NY10854,NJDEP,PADEP	10/25/2016 14:08	10/26/2016 12:30	KH
606-20-2	2,6-Dinitrotoluene	ND		mg/kg dry	0.0653	0.130	2	EPA 8270D Certifications: CTDOH,NELAC-NY10854,NJDEP,PADEP	10/25/2016 14:08	10/26/2016 12:30	KH
91-58-7	2-Chloronaphthalene	ND		mg/kg dry	0.0653	0.130	2	EPA 8270D Certifications: CTDOH,NELAC-NY10854,NJDEP,PADEP	10/25/2016 14:08	10/26/2016 12:30	KH
95-57-8	2-Chlorophenol	ND		mg/kg dry	0.0653	0.130	2	EPA 8270D Certifications: CTDOH,NELAC-NY10854,NJDEP,PADEP	10/25/2016 14:08	10/26/2016 12:30	KH
91-57-6	2-Methylnaphthalene	ND		mg/kg dry	0.0653	0.130	2	EPA 8270D Certifications: CTDOH,NELAC-NY10854,NJDEP,PADEP	10/25/2016 14:08	10/26/2016 12:30	KH
95-48-7	2-Methylphenol	ND		mg/kg dry	0.0653	0.130	2	EPA 8270D Certifications: CTDOH,NELAC-NY10854,NJDEP,PADEP	10/25/2016 14:08	10/26/2016 12:30	KH
88-74-4	2-Nitroaniline	ND		mg/kg dry	0.130	0.260	2	EPA 8270D Certifications: CTDOH,NELAC-NY10854,NJDEP,PADEP	10/25/2016 14:08	10/26/2016 12:30	KH
88-75-5	2-Nitrophenol	ND		mg/kg dry	0.0653	0.130	2	EPA 8270D Certifications: CTDOH,NELAC-NY10854,NJDEP,PADEP	10/25/2016 14:08	10/26/2016 12:30	KH

HAZ-214



Sample Information

Client Sample ID: SB-04-3.5-4.0'

York Sample ID: 16J0783-08

York Project (SDG) No.
16J0783

Client Project ID
95th str sewer/water OEGS 15-008-0265

Matrix
Soil

Collection Date/Time
October 20, 2016 11:45 am

Date Received
10/21/2016

Semi-Volatiles, 8270 - Comprehensive

Log-in Notes: VOA-CONT Sample Notes:

Sample Prepared by Method: EPA 3550C

CAS No.	Parameter	Result	Flag	Units	Reported to LOD/MDL	LOQ	Dilution	Reference Method	Date/Time Prepared	Date/Time Analyzed	Analyst
65794-96-9	3- & 4-Methylphenols	ND		mg/kg dry	0.0653	0.130	2	EPA 8270D Certifications: CTDOH,NELAC-NY10854,NJDEP,PADEP	10/25/2016 14:08	10/26/2016 12:30	KH
91-94-1	3,3'-Dichlorobenzidine	ND		mg/kg dry	0.0653	0.130	2	EPA 8270D Certifications: NELAC-NY10854,NJDEP,PADEP	10/25/2016 14:08	10/26/2016 12:30	KH
99-09-2	3-Nitroaniline	ND		mg/kg dry	0.130	0.260	2	EPA 8270D Certifications: CTDOH,NELAC-NY10854,NJDEP,PADEP	10/25/2016 14:08	10/26/2016 12:30	KH
534-52-1	4,6-Dinitro-2-methylphenol	ND		mg/kg dry	0.130	0.260	2	EPA 8270D Certifications: CTDOH,NELAC-NY10854,NJDEP,PADEP	10/25/2016 14:08	10/26/2016 12:30	KH
101-55-3	4-Bromophenyl phenyl ether	ND		mg/kg dry	0.0653	0.130	2	EPA 8270D Certifications: CTDOH,NELAC-NY10854,NJDEP,PADEP	10/25/2016 14:08	10/26/2016 12:30	KH
59-50-7	4-Chloro-3-methylphenol	ND		mg/kg dry	0.0653	0.130	2	EPA 8270D Certifications: CTDOH,NELAC-NY10854,NJDEP,PADEP	10/25/2016 14:08	10/26/2016 12:30	KH
106-47-8	4-Chloroaniline	ND		mg/kg dry	0.0653	0.130	2	EPA 8270D Certifications: CTDOH,NELAC-NY10854,NJDEP,PADEP	10/25/2016 14:08	10/26/2016 12:30	KH
3-72-3	4-Chlorophenyl phenyl ether	ND		mg/kg dry	0.0653	0.130	2	EPA 8270D Certifications: CTDOH,NELAC-NY10854,NJDEP,PADEP	10/25/2016 14:08	10/26/2016 12:30	KH
100-01-6	4-Nitroaniline	ND		mg/kg dry	0.130	0.260	2	EPA 8270D Certifications: CTDOH,NELAC-NY10854,NJDEP,PADEP	10/25/2016 14:08	10/26/2016 12:30	KH
100-02-7	4-Nitrophenol	ND		mg/kg dry	0.130	0.260	2	EPA 8270D Certifications: CTDOH,NELAC-NY10854,NJDEP,PADEP	10/25/2016 14:08	10/26/2016 12:30	KH
83-32-9	Acenaphthene	ND		mg/kg dry	0.0653	0.130	2	EPA 8270D Certifications: CTDOH,NELAC-NY10854,NJDEP,PADEP	10/25/2016 14:08	10/26/2016 12:30	KH
208-96-8	Acenaphthylene	ND		mg/kg dry	0.0653	0.130	2	EPA 8270D Certifications: CTDOH,NELAC-NY10854,NJDEP,PADEP	10/25/2016 14:08	10/26/2016 12:30	KH
98-86-2	Acetophenone	ND		mg/kg dry	0.0653	0.130	2	EPA 8270D Certifications: NELAC-NY10854,NJDEP,PADEP	10/25/2016 14:08	10/26/2016 12:30	KH
62-53-3	Aniline	ND		mg/kg dry	0.261	0.522	2	EPA 8270D Certifications: NELAC-NY10854,NJDEP,PADEP	10/25/2016 14:08	10/26/2016 12:30	KH
120-12-7	Anthracene	ND		mg/kg dry	0.0653	0.130	2	EPA 8270D Certifications: CTDOH,NELAC-NY10854,NJDEP,PADEP	10/25/2016 14:08	10/26/2016 12:30	KH
1912-24-9	Atrazine	ND		mg/kg dry	0.0653	0.130	2	EPA 8270D Certifications: NELAC-NY10854,NJDEP,PADEP	10/25/2016 14:08	10/26/2016 12:30	KH
100-52-7	Benzaldehyde	ND		mg/kg dry	0.0653	0.130	2	EPA 8270D Certifications: NELAC-NY10854,NJDEP,PADEP	10/25/2016 14:08	10/26/2016 12:30	KH
92-87-5	Benzdine	ND		mg/kg dry	0.261	0.522	2	EPA 8270D Certifications: CTDOH,NELAC-NY10854,PADEP	10/25/2016 14:08	10/26/2016 12:30	KH
56-55-3	Benzo(a)anthracene	ND		mg/kg dry	0.0653	0.130	2	EPA 8270D Certifications: CTDOH,NELAC-NY10854,NJDEP,PADEP	10/25/2016 14:08	10/26/2016 12:30	KH
50-32-8	Benzo(a)pyrene	ND		mg/kg dry	0.0653	0.130	2	EPA 8270D Certifications: CTDOH,NELAC-NY10854,NJDEP,PADEP	10/25/2016 14:08	10/26/2016 12:30	KH
205-99-2	Benzo(b)fluoranthene	ND		mg/kg dry	0.0653	0.130	2	EPA 8270D Certifications: CTDOH,NELAC-NY10854,NJDEP,PADEP	10/25/2016 14:08	10/26/2016 12:30	KH
124-24-2	Benzo(g,h,i)perylene	ND		mg/kg dry	0.0653	0.130	2	EPA 8270D Certifications: CTDOH,NELAC-NY10854,NJDEP,PADEP	10/25/2016 14:08	10/26/2016 12:30	KH

HA2-215



Sample Information

Client Sample ID: SB-04-3.5-4.0'

York Sample ID: 16J0783-08

York Project (SDG) No.
16J0783

Client Project ID
95th str sewer/water OEGS 15-008-0265

Matrix
Soil

Collection Date/Time
October 20, 2016 11:45 am

Date Received
10/21/2016

Semi-Volatiles, 8270 - Comprehensive

Log-in Notes: VOA-CONT Sample Notes:

Sample Prepared by Method: EPA 3550C

CAS No.	Parameter	Result	Flag	Units	Reported to LOD/MDL	LOQ	Dilution	Reference Method	Date/Time Prepared	Date/Time Analyzed	Analyst
207-08-9	Benzo(k)fluoranthene	ND		mg/kg dry	0.0653	0.130	2	EPA 8270D Certifications: CTDOH,NELAC-NY10854,NJDEP,PADEP	10/25/2016 14:08	10/26/2016 12:30	KH
65-85-0	Benzoic acid	ND		mg/kg dry	0.0653	0.130	2	EPA 8270D Certifications: NELAC-NY10854,NJDEP,PADEP	10/25/2016 14:08	10/26/2016 12:30	KH
100-51-6	Benzyl alcohol	ND		mg/kg dry	0.0653	0.130	2	EPA 8270D Certifications: NELAC-NY10854,NJDEP,PADEP	10/25/2016 14:08	10/26/2016 12:30	KH
85-68-7	Benzyl butyl phthalate	ND		mg/kg dry	0.0653	0.130	2	EPA 8270D Certifications: CTDOH,NELAC-NY10854,NJDEP,PADEP	10/25/2016 14:08	10/26/2016 12:30	KH
111-91-1	Bis(2-chloroethoxy)methane	ND		mg/kg dry	0.0653	0.130	2	EPA 8270D Certifications: CTDOH,NELAC-NY10854,NJDEP,PADEP	10/25/2016 14:08	10/26/2016 12:30	KH
111-44-4	Bis(2-chloroethyl)ether	ND		mg/kg dry	0.0653	0.130	2	EPA 8270D Certifications: CTDOH,NELAC-NY10854,NJDEP,PADEP	10/25/2016 14:08	10/26/2016 12:30	KH
108-60-1	Bis(2-chloroisopropyl)ether	ND		mg/kg dry	0.0653	0.130	2	EPA 8270D Certifications: CTDOH,NELAC-NY10854,NJDEP,PADEP	10/25/2016 14:08	10/26/2016 12:30	KH
117-81-7	Bis(2-ethylhexyl)phthalate	ND		mg/kg dry	0.0653	0.130	2	EPA 8270D Certifications: CTDOH,NELAC-NY10854,NJDEP,PADEP	10/25/2016 14:08	10/26/2016 12:30	KH
105-60-2	Caprolactam	ND		mg/kg dry	0.130	0.260	2	EPA 8270D Certifications: NELAC-NY10854,NJDEP,PADEP	10/25/2016 14:08	10/26/2016 12:30	KH
86-74-8	Carbazole	ND		mg/kg dry	0.0653	0.130	2	EPA 8270D Certifications: CTDOH,NELAC-NY10854,NJDEP,PADEP	10/25/2016 14:08	10/26/2016 12:30	KH
218-01-9	Chrysene	ND		mg/kg dry	0.0653	0.130	2	EPA 8270D Certifications: CTDOH,NELAC-NY10854,NJDEP,PADEP	10/25/2016 14:08	10/26/2016 12:30	KH
53-70-3	Dibenzo(a,h)anthracene	ND		mg/kg dry	0.0653	0.130	2	EPA 8270D Certifications: CTDOH,NELAC-NY10854,NJDEP,PADEP	10/25/2016 14:08	10/26/2016 12:30	KH
132-64-9	Dibenzofuran	ND		mg/kg dry	0.0653	0.130	2	EPA 8270D Certifications: CTDOH,NELAC-NY10854,NJDEP,PADEP	10/25/2016 14:08	10/26/2016 12:30	KH
84-66-2	Diethyl phthalate	ND		mg/kg dry	0.0653	0.130	2	EPA 8270D Certifications: CTDOH,NELAC-NY10854,NJDEP,PADEP	10/25/2016 14:08	10/26/2016 12:30	KH
131-11-3	Dimethyl phthalate	ND		mg/kg dry	0.0653	0.130	2	EPA 8270D Certifications: CTDOH,NELAC-NY10854,NJDEP,PADEP	10/25/2016 14:08	10/26/2016 12:30	KH
84-74-2	Di-n-butyl phthalate	ND		mg/kg dry	0.0653	0.130	2	EPA 8270D Certifications: CTDOH,NELAC-NY10854,NJDEP,PADEP	10/25/2016 14:08	10/26/2016 12:30	KH
117-84-0	Di-n-octyl phthalate	ND		mg/kg dry	0.0653	0.130	2	EPA 8270D Certifications: CTDOH,NELAC-NY10854,NJDEP,PADEP	10/25/2016 14:08	10/26/2016 12:30	KH
206-44-0	Fluoranthene	ND		mg/kg dry	0.0653	0.130	2	EPA 8270D Certifications: CTDOH,NELAC-NY10854,NJDEP,PADEP	10/25/2016 14:08	10/26/2016 12:30	KH
86-73-7	Fluorene	ND		mg/kg dry	0.0653	0.130	2	EPA 8270D Certifications: NELAC-NY10854,NJDEP,PADEP	10/25/2016 14:08	10/26/2016 12:30	KH
118-74-1	Hexachlorobenzene	ND		mg/kg dry	0.0653	0.130	2	EPA 8270D Certifications: CTDOH,NELAC-NY10854,NJDEP,PADEP	10/25/2016 14:08	10/26/2016 12:30	KH
87-68-3	Hexachlorobutadiene	ND		mg/kg dry	0.0653	0.130	2	EPA 8270D Certifications: CTDOH,NELAC-NY10854,NJDEP,PADEP	10/25/2016 14:08	10/26/2016 12:30	KH
77-47-4	Hexachlorocyclopentadiene	ND		mg/kg dry	0.0653	0.130	2	EPA 8270D Certifications: CTDOH,NELAC-NY10854,NJDEP,PADEP	10/25/2016 14:08	10/26/2016 12:30	KH

HAZ-216



Sample Information

Client Sample ID: SB-04-3.5-4.0'

York Sample ID: 16J0783-08

York Project (SDG) No.
16J0783

Client Project ID
95th str sewer/water OEGS 15-008-0265

Matrix
Soil

Collection Date/Time
October 20, 2016 11:45 am

Date Received
10/21/2016

Semi-Volatiles, 8270 - Comprehensive

Log-in Notes: VOA-CONT Sample Notes:

Sample Prepared by Method: EPA 3550C

CAS No.	Parameter	Result	Flag	Units	Reported to LOD/MDL	LOQ	Dilution	Reference Method	Date/Time Prepared	Date/Time Analyzed	Analyst
67-72-1	Hexachloroethane	ND		mg/kg dry	0.0653	0.130	2	EPA 8270D Certifications: CTDOH,NELAC-NY10854,NJDEP,PADEP	10/25/2016 14:08	10/26/2016 12:30	KH
193-39-5	Indeno(1,2,3-cd)pyrene	ND		mg/kg dry	0.0653	0.130	2	EPA 8270D Certifications: CTDOH,NELAC-NY10854,NJDEP,PADEP	10/25/2016 14:08	10/26/2016 12:30	KH
78-59-1	Isophorone	ND		mg/kg dry	0.0653	0.130	2	EPA 8270D Certifications: CTDOH,NELAC-NY10854,NJDEP,PADEP	10/25/2016 14:08	10/26/2016 12:30	KH
91-20-3	Naphthalene	ND		mg/kg dry	0.0653	0.130	2	EPA 8270D Certifications: CTDOH,NELAC-NY10854,NJDEP,PADEP	10/25/2016 14:08	10/26/2016 12:30	KH
98-95-3	Nitrobenzene	ND		mg/kg dry	0.0653	0.130	2	EPA 8270D Certifications: CTDOH,NELAC-NY10854,NJDEP,PADEP	10/25/2016 14:08	10/26/2016 12:30	KH
62-75-9	N-Nitrosodimethylamine	ND		mg/kg dry	0.0653	0.130	2	EPA 8270D Certifications: CTDOH,NELAC-NY10854,NJDEP,PADEP	10/25/2016 14:08	10/26/2016 12:30	KH
621-64-7	N-nitroso-di-n-propylamine	ND		mg/kg dry	0.0653	0.130	2	EPA 8270D Certifications: CTDOH,NELAC-NY10854,NJDEP,PADEP	10/25/2016 14:08	10/26/2016 12:30	KH
30-6	N-Nitrosodiphenylamine	ND		mg/kg dry	0.0653	0.130	2	EPA 8270D Certifications: CTDOH,NELAC-NY10854,NJDEP,PADEP	10/25/2016 14:08	10/26/2016 12:30	KH
87-86-5	Pentachlorophenol	ND		mg/kg dry	0.0653	0.130	2	EPA 8270D Certifications: CTDOH,NELAC-NY10854,NJDEP,PADEP	10/25/2016 14:08	10/26/2016 12:30	KH
85-01-8	Phenanthrene	ND		mg/kg dry	0.0653	0.130	2	EPA 8270D Certifications: CTDOH,NELAC-NY10854,NJDEP,PADEP	10/25/2016 14:08	10/26/2016 12:30	KH
108-95-2	Phenol	ND		mg/kg dry	0.0653	0.130	2	EPA 8270D Certifications: CTDOH,NELAC-NY10854,NJDEP,PADEP	10/25/2016 14:08	10/26/2016 12:30	KH
129-00-0	Pyrene	ND		mg/kg dry	0.0653	0.130	2	EPA 8270D Certifications: CTDOH,NELAC-NY10854,NJDEP,PADEP	10/25/2016 14:08	10/26/2016 12:30	KH

Surrogate Recoveries	Result	Acceptance Range
367-12-4 Surrogate: 2-Fluorophenol	48.1 %	20-108
4165-62-2 Surrogate: Phenol-d5	44.0 %	23-114
4165-60-0 Surrogate: Nitrobenzene-d5	38.6 %	22-108
321-60-8 Surrogate: 2-Fluorobiphenyl	44.6 %	21-113
118-79-6 Surrogate: 2,4,6-Tribromophenol	49.8 %	19-110
1718-51-0 Surrogate: Terphenyl-d14	37.4 %	24-116

Pesticides, 8081 target list

Log-in Notes: VOA-CONT Sample Notes:

Sample Prepared by Method: EPA 3550C

CAS No.	Parameter	Result	Flag	Units	Reported to LOD/MDL	LOQ	Dilution	Reference Method	Date/Time Prepared	Date/Time Analyzed	Analyst
72-54-8	4,4'-DDD	ND		mg/kg dry	0.00258	0.00258	5	EPA 8081B Certifications: CTDOH,NELAC-NY10854,NJDEP,PADEP	10/26/2016 12:50	10/27/2016 15:49	AMC
72-55-9	4,4'-DDE	ND		mg/kg dry	0.00258	0.00258	5	EPA 8081B Certifications: CTDOH,NELAC-NY10854,NJDEP,PADEP	10/26/2016 12:50	10/27/2016 15:49	AMC
9-3	4,4'-DDT	ND		mg/kg dry	0.00258	0.00258	5	EPA 8081B Certifications: CTDOH,NELAC-NY10854,NJDEP,PADEP	10/26/2016 12:50	10/27/2016 15:49	AMC

HAZ-217



Sample Information

Client Sample ID: SB-04-3.5-4.0'

York Sample ID: 16J0783-08

York Project (SDG) No.
16J0783

Client Project ID
95th str sewer/water OEGS 15-008-0265

Matrix
Soil

Collection Date/Time
October 20, 2016 11:45 am

Date Received
10/21/2016

Pesticides, 8081 target list

Log-in Notes: VOA-CONT

Sample Notes:

Sample Prepared by Method: EPA 3550C

CAS No.	Parameter	Result	Flag	Units	LOD/MDL	Reported to LOQ	Dilution	Reference Method	Date/Time Prepared	Date/Time Analyzed	Analyst
309-00-2	Aldrin	ND		mg/kg dry	0.00258	0.00258	5	EPA 8081B Certifications: CTDOH,NELAC-NY10854,NJDEP,PADEP	10/26/2016 12:50	10/27/2016 15:49	AMC
319-84-6	alpha-BHC	ND		mg/kg dry	0.00258	0.00258	5	EPA 8081B Certifications: CTDOH,NELAC-NY10854,NJDEP,PADEP	10/26/2016 12:50	10/27/2016 15:49	AMC
5103-71-9	alpha-Chlordane	ND		mg/kg dry	0.00258	0.00258	5	EPA 8081B Certifications: NELAC-NY10854,NJDEP	10/26/2016 12:50	10/27/2016 15:49	AMC
319-85-7	beta-BHC	ND		mg/kg dry	0.00258	0.00258	5	EPA 8081B Certifications: CTDOH,NELAC-NY10854,NJDEP,PADEP	10/26/2016 12:50	10/27/2016 15:49	AMC
57-74-9	Chlordane, total	ND		mg/kg dry	0.0516	0.0516	5	EPA 8081B Certifications: CTDOH,NELAC-NY10854,NJDEP,PADEP	10/26/2016 12:50	10/27/2016 15:49	AMC
319-86-8	delta-BHC	ND		mg/kg dry	0.00258	0.00258	5	EPA 8081B Certifications: CTDOH,NELAC-NY10854,NJDEP,PADEP	10/26/2016 12:50	10/27/2016 15:49	AMC
60-57-1	Dieldrin	ND		mg/kg dry	0.00258	0.00258	5	EPA 8081B Certifications: CTDOH,NELAC-NY10854,NJDEP,PADEP	10/26/2016 12:50	10/27/2016 15:49	AMC
959-98-8	Endosulfan I	ND		mg/kg dry	0.00258	0.00258	5	EPA 8081B Certifications: CTDOH,NELAC-NY10854,NJDEP,PADEP	10/26/2016 12:50	10/27/2016 15:49	AMC
33213-65-9	Endosulfan II	ND		mg/kg dry	0.00258	0.00258	5	EPA 8081B Certifications: CTDOH,NELAC-NY10854,NJDEP,PADEP	10/26/2016 12:50	10/27/2016 15:49	AMC
1031-07-8	Endosulfan sulfate	ND		mg/kg dry	0.00258	0.00258	5	EPA 8081B Certifications: CTDOH,NELAC-NY10854,NJDEP,PADEP	10/26/2016 12:50	10/27/2016 15:49	AMC
72-20-8	Endrin	ND		mg/kg dry	0.00258	0.00258	5	EPA 8081B Certifications: CTDOH,NELAC-NY10854,NJDEP,PADEP	10/26/2016 12:50	10/27/2016 15:49	AMC
7421-93-4	Endrin aldehyde	ND		mg/kg dry	0.00258	0.00258	5	EPA 8081B Certifications: CTDOH,NELAC-NY10854,NJDEP,PADEP	10/26/2016 12:50	10/27/2016 15:49	AMC
53494-70-5	Endrin ketone	ND		mg/kg dry	0.00258	0.00258	5	EPA 8081B Certifications: CTDOH,NELAC-NY10854,NJDEP,PADEP	10/26/2016 12:50	10/27/2016 15:49	AMC
58-89-9	gamma-BHC (Lindane)	ND		mg/kg dry	0.00258	0.00258	5	EPA 8081B Certifications: CTDOH,NELAC-NY10854,NJDEP,PADEP	10/26/2016 12:50	10/27/2016 15:49	AMC
5566-34-7	gamma-Chlordane	ND		mg/kg dry	0.00258	0.00258	5	EPA 8081B Certifications: NELAC-NY10854,NJDEP	10/26/2016 12:50	10/27/2016 15:49	AMC
76-44-8	Heptachlor	ND		mg/kg dry	0.00258	0.00258	5	EPA 8081B Certifications: CTDOH,NELAC-NY10854,NJDEP,PADEP	10/26/2016 12:50	10/27/2016 15:49	AMC
1024-57-3	Heptachlor epoxide	ND		mg/kg dry	0.00258	0.00258	5	EPA 8081B Certifications: CTDOH,NELAC-NY10854,NJDEP,PADEP	10/26/2016 12:50	10/27/2016 15:49	AMC
72-43-5	Methoxychlor	ND		mg/kg dry	0.0129	0.0129	5	EPA 8081B Certifications: CTDOH,NELAC-NY10854,NJDEP,PADEP	10/26/2016 12:50	10/27/2016 15:49	AMC
8001-35-2	Toxaphene	ND		mg/kg dry	0.131	0.131	5	EPA 8081B Certifications: CTDOH,NELAC-NY10854,NJDEP,PADEP	10/26/2016 12:50	10/27/2016 15:49	AMC
Surrogate Recoveries		Result	Acceptance Range								
2051-24-3	Surrogate: Decachlorobiphenyl	88.2 %	30-150								
877-09-8	Surrogate: Tetrachloro-m-xylene	99.5 %	30-150								

Polychlorinated Biphenyls (PCB)

Log-in Notes: VOA-CONT

Sample Notes:

120 RESEARCH DRIVE

STRATFORD, CT 06615

(203) 325-1371

FAX (203) 357-0166

HAZ-218



Sample Information

Client Sample ID: SB-04-3.5-4.0'

York Sample ID: 16J0783-08

York Project (SDG) No. 16J0783	Client Project ID 95th str sewer/water OEGS 15-008-0265	Matrix Soil	Collection Date/Time October 20, 2016 11:45 am	Date Received 10/21/2016
-----------------------------------	--	----------------	---	-----------------------------

Sample Prepared by Method: EPA 3550C

CAS No.	Parameter	Result	Flag	Units	LOD/MDL	Reported to LOQ	Dilution	Reference Method	Date/Time Prepared	Date/Time Analyzed	Analyst
12674-11-2	Aroclor 1016	ND		mg/kg dry	0.0260	0.0260	1	EPA 8082A Certifications: NELAC-NY10854,CTDOH,NJDEP,PADEP	10/25/2016 07:10	10/25/2016 22:19	AMC
11104-28-2	Aroclor 1221	ND		mg/kg dry	0.0260	0.0260	1	EPA 8082A Certifications: NELAC-NY10854,CTDOH,NJDEP,PADEP	10/25/2016 07:10	10/25/2016 22:19	AMC
11141-16-5	Aroclor 1232	ND		mg/kg dry	0.0260	0.0260	1	EPA 8082A Certifications: NELAC-NY10854,CTDOH,NJDEP,PADEP	10/25/2016 07:10	10/25/2016 22:19	AMC
53469-21-9	Aroclor 1242	ND		mg/kg dry	0.0260	0.0260	1	EPA 8082A Certifications: NELAC-NY10854,CTDOH,NJDEP,PADEP	10/25/2016 07:10	10/25/2016 22:19	AMC
12672-29-6	Aroclor 1248	ND		mg/kg dry	0.0260	0.0260	1	EPA 8082A Certifications: NELAC-NY10854,CTDOH,NJDEP,PADEP	10/25/2016 07:10	10/25/2016 22:19	AMC
11097-69-1	Aroclor 1254	ND		mg/kg dry	0.0260	0.0260	1	EPA 8082A Certifications: NELAC-NY10854,CTDOH,NJDEP,PADEP	10/25/2016 07:10	10/25/2016 22:19	AMC
11096-82-5	Aroclor 1260	ND		mg/kg dry	0.0260	0.0260	1	EPA 8082A Certifications: NELAC-NY10854,CTDOH,NJDEP,PADEP	10/25/2016 07:10	10/25/2016 22:19	AMC
136-36-3	* Total PCBs	ND		mg/kg dry	0.0260	0.0260	1	EPA 8082A Certifications:	10/25/2016 07:10	10/25/2016 22:19	AMC
Surrogate Recoveries		Result	Acceptance Range								
877-09-8	Surrogate: Tetrachloro-m-xylene	88.5 %	30-140								
2051-24-3	Surrogate: Decachlorobiphenyl	71.0 %	30-140								

Metals, Target Analyte

Log-in Notes: VOA-CONT Sample Notes:

Sample Prepared by Method: EPA 3050B

CAS No.	Parameter	Result	Flag	Units	LOD/MDL	Reported to LOQ	Dilution	Reference Method	Date/Time Prepared	Date/Time Analyzed	Analyst
7429-90-5	Aluminum	7490		mg/kg dry	7.82	7.82	1	EPA 6010C Certifications: CTDOH,NELAC-NY10854,NJDEP,PADEP	10/24/2016 11:09	10/24/2016 21:33	KV
7440-36-0	Antimony	ND		mg/kg dry	0.782	0.782	1	EPA 6010C Certifications: CTDOH,NELAC-NY10854,NJDEP,PADEP	10/24/2016 11:09	10/24/2016 21:33	KV
7440-38-2	Arsenic	11.0		mg/kg dry	1.56	1.56	1	EPA 6010C Certifications: CTDOH,NELAC-NY10854,NJDEP,PADEP	10/24/2016 11:09	10/24/2016 21:33	KV
7440-39-3	Barium	31.7		mg/kg dry	1.56	1.56	1	EPA 6010C Certifications: CTDOH,NELAC-NY10854,NJDEP,PADEP	10/24/2016 11:09	10/24/2016 21:33	KV
7440-41-7	Beryllium	ND		mg/kg dry	0.156	0.156	1	EPA 6010C Certifications: CTDOH,NELAC-NY10854,NJDEP,PADEP	10/24/2016 11:09	10/24/2016 21:33	KV
7440-43-9	Cadmium	ND		mg/kg dry	0.469	0.469	1	EPA 6010C Certifications: CTDOH,NELAC-NY10854,NJDEP,PADEP	10/24/2016 11:09	10/24/2016 21:33	KV
7440-70-2	Calcium	1330		mg/kg dry	0.782	7.82	1	EPA 6010C Certifications: CTDOH,NELAC-NY10854,NJDEP,PADEP	10/24/2016 11:09	10/24/2016 21:33	KV
7440-47-3	Chromium	22.5		mg/kg dry	0.782	0.782	1	EPA 6010C Certifications: CTDOH,NELAC-NY10854,NJDEP,PADEP	10/24/2016 11:09	10/24/2016 21:33	KV
7440-48-4	Cobalt	5.37		mg/kg dry	0.782	0.782	1	EPA 6010C Certifications: CTDOH,NELAC-NY10854,NJDEP,PADEP	10/24/2016 11:09	10/24/2016 21:33	KV
50-8	Copper	10.6		mg/kg dry	0.782	0.782	1	EPA 6010C Certifications: CTDOH,NELAC-NY10854,NJDEP,PADEP	10/24/2016 11:09	10/24/2016 21:33	KV

HAZ-219



Sample Information

Client Sample ID: SB-04-3.5-4.0'

York Sample ID: 16J0783-08

York Project (SDG) No.
16J0783

Client Project ID
95th str sewer/water OEGS 15-008-0265

Matrix
Soil

Collection Date/Time
October 20, 2016 11:45 am

Date Received
10/21/2016

Metals, Target Analyte

Log-in Notes: VOA-CONT

Sample Notes:

Sample Prepared by Method: EPA 3050B

CAS No.	Parameter	Result	Flag	Units	LOD/MDL	Reported to LOQ	Dilution	Reference Method	Date/Time Prepared	Date/Time Analyzed	Analyst
7439-89-6	Iron	14500		mg/kg dry	3.13	3.13	1	EPA 6010C Certifications: CTDOH,NELAC-NY10854,NJDEP,PADEP	10/24/2016 11:09	10/24/2016 21:33	KV
7439-92-1	Lead	23.5		mg/kg dry	0.469	0.469	1	EPA 6010C Certifications: CTDOH,NELAC-NY10854,NJDEP,PADEP	10/24/2016 11:09	10/24/2016 21:33	KV
7439-95-4	Magnesium	2620		mg/kg dry	7.82	7.82	1	EPA 6010C Certifications: CTDOH,NELAC-NY10854,NJDEP,PADEP	10/24/2016 11:09	10/24/2016 21:33	KV
7439-96-5	Manganese	70.5		mg/kg dry	0.782	0.782	1	EPA 6010C Certifications: CTDOH,NELAC-NY10854,NJDEP,PADEP	10/24/2016 11:09	10/24/2016 21:33	KV
7440-02-0	Nickel	14.1		mg/kg dry	0.782	0.782	1	EPA 6010C Certifications: CTDOH,NELAC-NY10854,NJDEP,PADEP	10/24/2016 11:09	10/24/2016 21:33	KV
7440-09-7	Potassium	1600		mg/kg dry	7.82	7.82	1	EPA 6010C Certifications: CTDOH,NELAC-NY10854,NJDEP,PADEP	10/24/2016 11:09	10/24/2016 21:33	KV
7782-49-2	Selenium	ND		mg/kg dry	1.56	1.56	1	EPA 6010C Certifications: CTDOH,NELAC-NY10854,NJDEP,PADEP	10/24/2016 11:09	10/24/2016 21:33	KV
7440-22-4	Silver	ND		mg/kg dry	0.782	0.782	1	EPA 6010C Certifications: CTDOH,NELAC-NY10854,NJDEP,PADEP	10/24/2016 11:09	10/24/2016 21:33	KV
7440-23-5	Sodium	657		mg/kg dry	15.6	15.6	1	EPA 6010C Certifications: CTDOH,NELAC-NY10854,NJDEP	10/24/2016 11:09	10/24/2016 21:33	KV
7440-28-0	Thallium	ND		mg/kg dry	1.56	1.56	1	EPA 6010C Certifications: CTDOH,NELAC-NY10854,NJDEP,PADEP	10/24/2016 11:09	10/24/2016 21:33	KV
7440-62-2	Vanadium	35.2		mg/kg dry	1.56	1.56	1	EPA 6010C Certifications: CTDOH,NELAC-NY10854,NJDEP,PADEP	10/24/2016 11:09	10/24/2016 21:33	KV
7440-66-6	Zinc	25.4		mg/kg dry	1.56	1.56	1	EPA 6010C Certifications: CTDOH,NELAC-NY10854,NJDEP,PADEP	10/24/2016 11:09	10/24/2016 21:33	KV

Mercury by 7473

Log-in Notes: VOA-CONT

Sample Notes:

Sample Prepared by Method: EPA 7473 soil

CAS No.	Parameter	Result	Flag	Units	LOD/MDL	Reported to LOQ	Dilution	Reference Method	Date/Time Prepared	Date/Time Analyzed	Analyst
7439-97-6	Mercury	ND		mg/kg dry	0.0469	0.0469	1	EPA 7473 Certifications: CTDOH,NJDEP,NELAC-NY10854,PADEP	10/24/2016 06:31	10/24/2016 14:25	KV

Total Solids

Log-in Notes: VOA-CONT

Sample Notes:

Sample Prepared by Method: % Solids Prep

CAS No.	Parameter	Result	Flag	Units	LOD/MDL	Reported to LOQ	Dilution	Reference Method	Date/Time Prepared	Date/Time Analyzed	Analyst
solids	* % Solids	64.0		%	0.100	0.100	1	SM 2540G Certifications: CTDOH	10/25/2016 08:59	10/25/2016 12:26	TJM

HAZ-220



Sample Information

Client Sample ID: SB-04-COMP **York Sample ID:** 16J0783-09
York Project (SDG) No. 16J0783 **Client Project ID** 95th str sewer/water OEGS 15-008-0265 **Matrix** Soil **Collection Date/Time** October 20, 2016 11:50 am **Date Received** 10/21/2016

Total Petroleum Hydrocarbons-DRO (C10-C28)

Log-in Notes:

Sample Notes:

Sample Prepared by Method: EPA 3550C

CAS No.	Parameter	Result	Flag	Units	LOD/MDL	Reported to LOQ	Dilution	Reference Method	Date/Time Prepared	Date/Time Analyzed	Analyst
	Total Petroleum Hydrocarbons-DRO	18.2		mg/kg dry	3.91	11.5	1	EPA 8015D	10/25/2016 14:10	10/26/2016 22:07	AMC
	Surrogate Recoveries	Result				Acceptance Range					
638-68-6	Surrogate: <i>Triacontane</i>	63.4 %				30-150		Certifications: NELAC-NY10854,NJDEP,PADEP			

Total Petroleum Hydrocarbons-GRO (C5-C10)

Log-in Notes:

Sample Notes: VOA-CONT

Sample Prepared by Method: EPA 5035A

CAS No.	Parameter	Result	Flag	Units	LOD/MDL	Reported to LOQ	Dilution	Reference Method	Date/Time Prepared	Date/Time Analyzed	Analyst
	Total Petroleum Hydrocarbons-GRO	ND		mg/kg dry	46.0	92.1	100	EPA 8015D	10/27/2016 12:16	10/27/2016 18:53	OW
	Surrogate Recoveries	Result				Acceptance Range					
90-00-4	Surrogate: <i>p-Bromofluorobenzene</i>	91.0 %				70-130		Certifications: NELAC-NY10854,NJDEP,PADEP			

Metals, TCLP RCRA

Log-in Notes:

Sample Notes:

Sample Prepared by Method: EPA 3015A/1311

CAS No.	Parameter	Result	Flag	Units	LOD/MDL	Reported to LOQ	Dilution	Reference Method	Date/Time Prepared	Date/Time Analyzed	Analyst
7440-38-2	Arsenic	ND		mg/L	0.004	0.004	1	EPA 6010C/1311	10/25/2016 12:41	10/25/2016 20:41	KV
								Certifications: CTDOH,NELAC-NY10854,NJDEP,PADEP			
7440-39-3	Barium	0.107		mg/L	0.011	0.011	1	EPA 6010C/1311	10/25/2016 12:41	10/25/2016 20:41	KV
								Certifications: CTDOH,NELAC-NY10854,NJDEP,PADEP			
7440-43-9	Cadmium	ND		mg/L	0.003	0.003	1	EPA 6010C/1311	10/25/2016 12:41	10/25/2016 20:41	KV
								Certifications: CTDOH,NELAC-NY10854,NJDEP,PADEP			
7440-47-3	Chromium	ND		mg/L	0.006	0.006	1	EPA 6010C/1311	10/25/2016 12:41	10/25/2016 20:41	KV
								Certifications: CTDOH,NELAC-NY10854,NJDEP,PADEP			
7439-92-1	Lead	ND		mg/L	0.003	0.003	1	EPA 6010C/1311	10/25/2016 12:41	10/25/2016 20:41	KV
								Certifications: CTDOH,NELAC-NY10854,NJDEP,PADEP			
7782-49-2	Selenium	ND		M-SeT mg/L	0.011	0.011	1	EPA 6010C/1311	10/25/2016 12:41	10/25/2016 20:41	KV
				C				Certifications: CTDOH,NELAC-NY10854,NJDEP,PADEP			
7440-22-4	Silver	ND		mg/L	0.006	0.006	1	EPA 6010C/1311	10/25/2016 12:41	10/25/2016 20:41	KV
								Certifications: CTDOH,NELAC-NY10854,NJDEP,PADEP			

Mercury TCLP by 7473

Log-in Notes:

Sample Notes:

Sample Prepared by Method: EPA 7473 water

CAS No.	Parameter	Result	Flag	Units	LOD/MDL	Reported to LOQ	Dilution	Reference Method	Date/Time Prepared	Date/Time Analyzed	Analyst
7439-97-6	Mercury	ND		mg/L	0.0000390	0.000200	1	EPA 7473/1311	10/26/2016 06:18	10/26/2016 11:23	ALD
								Certifications: CTDOH,NJDEP,PADEP,NELAC-NY10854			

Ignitability

Log-in Notes:

Sample Notes:

120 RESEARCH DRIVE

STRATFORD, CT 06615

(203) 325-1371

FAX (203) 357-0166

HAZ-221



Sample Information

Client Sample ID: SB-04-COMP **York Sample ID:** 16J0783-09
York Project (SDG) No. 16J0783 **Client Project ID** 95th str sewer/water OEGS 15-008-0265 **Matrix** Soil **Collection Date/Time** October 20, 2016 11:50 am **Date Received** 10/21/2016

Sample Prepared by Method: Analysis Preparation

CAS No.	Parameter	Result	Flag	Units	LOD/MDL	Reported to LOQ	Dilution	Reference Method	Date/Time Prepared	Date/Time Analyzed	Analyst
	* Ignitability	Non-Ignit.					1	EPA 1030P Certifications: CTDOH,PADEP	10/21/2016 23:59	10/22/2016 00:15	AA

Total Solids

Log-in Notes:

Sample Notes:

Sample Prepared by Method: % Solids Prep

CAS No.	Parameter	Result	Flag	Units	LOD/MDL	Reported to LOQ	Dilution	Reference Method	Date/Time Prepared	Date/Time Analyzed	Analyst
solids	* % Solids	86.9		%	0.100	0.100	1	SM 2540G Certifications: CTDOH	10/25/2016 08:59	10/25/2016 12:26	TJM

Corrosivity

Log-in Notes:

Sample Notes:

Sample Prepared by Method: Analysis Preparation

CAS No.	Parameter	Result	Flag	Units	LOD/MDL	Reported to LOQ	Dilution	Reference Method	Date/Time Prepared	Date/Time Analyzed	Analyst
	pH	6.84	HT-pH	pH units		0.500	1	EPA 9045D Certifications: NELAC-NY10854,CTDOH,PADEP	10/25/2016 09:02	10/25/2016 16:12	DM1

Reactivity-Cyanide

Log-in Notes:

Sample Notes:

Sample Prepared by Method: Analysis Preparation

CAS No.	Parameter	Result	Flag	Units	LOD/MDL	Reported to LOQ	Dilution	Reference Method	Date/Time Prepared	Date/Time Analyzed	Analyst
	* Reactivity - Cyanide	ND		mg/kg	0.250	0.250	1	EPA SW-846 Ch.7.3.3 Certifications: CTDOH,PADEP	10/28/2016 15:05	10/28/2016 16:39	AD

Reactivity-Sulfide

Log-in Notes:

Sample Notes:

Sample Prepared by Method: Analysis Preparation

CAS No.	Parameter	Result	Flag	Units	LOD/MDL	Reported to LOQ	Dilution	Reference Method	Date/Time Prepared	Date/Time Analyzed	Analyst
	* Reactivity - Sulfide	ND		mg/kg	15.0	15.0	1	EPA SW-846 Ch.7.3.4 Certifications: CTDOH,PADEP	10/28/2016 15:06	10/28/2016 16:39	AD

TCLP Extraction for METALS EPA 1311

Log-in Notes:

Sample Notes:

Sample Prepared by Method: EPA SW 846-1311 TCLP ext. for metals

CAS No.	Parameter	Result	Flag	Units	LOD/MDL	Reported to LOQ	Dilution	Reference Method	Date/Time Prepared	Date/Time Analyzed	Analyst
	TCLP Extraction	Completed		N/A	1.00	1.00	1	EPA 1311 Certifications: NELAC-NY10854,CTDOH,NJDEP,PADEP	10/24/2016 17:36	10/25/2016 13:48	TJM

Sample Information

Client Sample ID: SB-06-3.5-4.0' **York Sample ID:** 16J0783-10
York Project (SDG) No. 16J0783 **Client Project ID** 95th str sewer/water OEGS 15-008-0265 **Matrix** Soil **Collection Date/Time** October 20, 2016 12:15 pm **Date Received** 10/21/2

HAZ-222



Sample Information

Client Sample ID: SB-06-3.5-4.0'

York Sample ID: 16J0783-10

York Project (SDG) No.
16J0783

Client Project ID
95th str sewer/water OEGS 15-008-0265

Matrix
Soil

Collection Date/Time
October 20, 2016 12:15 pm

Date Received
10/21/2016

Volatile Organics, 8260 - Comprehensive

Log-in Notes: VOA-CONT Sample Notes:

Sample Prepared by Method: EPA 5035A

CAS No.	Parameter	Result	Flag	Units	Reported to LOD/MDL	LOQ	Dilution	Reference Method	Date/Time Prepared	Date/Time Analyzed	Analyst
630-20-6	1,1,1,2-Tetrachloroethane	ND		mg/kg dry	0.0032	0.0064	1	EPA 8260C Certifications: CTDOH,NELAC-NY10854,NJDEP	10/26/2016 15:30	10/27/2016 02:54	BK
71-55-6	1,1,1-Trichloroethane	ND		mg/kg dry	0.0032	0.0064	1	EPA 8260C Certifications: CTDOH,NELAC-NY10854,NJDEP,PADEP	10/26/2016 15:30	10/27/2016 02:54	BK
79-34-5	1,1,2,2-Tetrachloroethane	ND		mg/kg dry	0.0032	0.0064	1	EPA 8260C Certifications: CTDOH,NELAC-NY10854,NJDEP,PADEP	10/26/2016 15:30	10/27/2016 02:54	BK
76-13-1	1,1,2-Trichloro-1,2,2-trifluoroethane (Freon 113)	ND		mg/kg dry	0.0032	0.0064	1	EPA 8260C Certifications: CTDOH,NELAC-NY10854,NJDEP	10/26/2016 15:30	10/27/2016 02:54	BK
79-00-5	1,1,2-Trichloroethane	ND		mg/kg dry	0.0032	0.0064	1	EPA 8260C Certifications: CTDOH,NELAC-NY10854,NJDEP,PADEP	10/26/2016 15:30	10/27/2016 02:54	BK
75-34-3	1,1-Dichloroethane	ND		mg/kg dry	0.0032	0.0064	1	EPA 8260C Certifications: CTDOH,NELAC-NY10854,NJDEP,PADEP	10/26/2016 15:30	10/27/2016 02:54	BK
75-35-4	1,1-Dichloroethylene	ND		mg/kg dry	0.0032	0.0064	1	EPA 8260C Certifications: CTDOH,NELAC-NY10854,NJDEP,PADEP	10/26/2016 15:30	10/27/2016 02:54	BK
87-61-6	1,2,3-Trichlorobenzene	ND		mg/kg dry	0.0032	0.0064	1	EPA 8260C Certifications: NELAC-NY10854,NJDEP	10/26/2016 15:30	10/27/2016 02:54	BK
96-18-4	1,2,3-Trichloropropane	ND		mg/kg dry	0.0032	0.0064	1	EPA 8260C Certifications: NELAC-NY10854,NJDEP	10/26/2016 15:30	10/27/2016 02:54	BK
120-82-1	1,2,4-Trichlorobenzene	ND		mg/kg dry	0.0032	0.0064	1	EPA 8260C Certifications: NELAC-NY10854,NJDEP	10/26/2016 15:30	10/27/2016 02:54	BK
95-63-6	1,2,4-Trimethylbenzene	ND		mg/kg dry	0.0032	0.0064	1	EPA 8260C Certifications: CTDOH,NELAC-NY10854,NJDEP	10/26/2016 15:30	10/27/2016 02:54	BK
96-12-8	1,2-Dibromo-3-chloropropane	ND		mg/kg dry	0.0032	0.0064	1	EPA 8260C Certifications: CTDOH,NELAC-NY10854,NJDEP	10/26/2016 15:30	10/27/2016 02:54	BK
106-93-4	1,2-Dibromoethane	ND		mg/kg dry	0.0032	0.0064	1	EPA 8260C Certifications: CTDOH,NELAC-NY10854,NJDEP	10/26/2016 15:30	10/27/2016 02:54	BK
95-50-1	1,2-Dichlorobenzene	ND		mg/kg dry	0.0032	0.0064	1	EPA 8260C Certifications: CTDOH,NELAC-NY10854,NJDEP,PADEP	10/26/2016 15:30	10/27/2016 02:54	BK
107-06-2	1,2-Dichloroethane	ND		mg/kg dry	0.0032	0.0064	1	EPA 8260C Certifications: CTDOH,NELAC-NY10854,NJDEP,PADEP	10/26/2016 15:30	10/27/2016 02:54	BK
78-87-5	1,2-Dichloropropane	ND		mg/kg dry	0.0032	0.0064	1	EPA 8260C Certifications: CTDOH,NELAC-NY10854,NJDEP	10/26/2016 15:30	10/27/2016 02:54	BK
108-67-8	1,3,5-Trimethylbenzene	ND		mg/kg dry	0.0032	0.0064	1	EPA 8260C Certifications: CTDOH,NELAC-NY10854,NJDEP	10/26/2016 15:30	10/27/2016 02:54	BK
541-73-1	1,3-Dichlorobenzene	ND		mg/kg dry	0.0032	0.0064	1	EPA 8260C Certifications: CTDOH,NELAC-NY10854,NJDEP,PADEP	10/26/2016 15:30	10/27/2016 02:54	BK
106-46-7	1,4-Dichlorobenzene	ND		mg/kg dry	0.0032	0.0064	1	EPA 8260C Certifications: CTDOH,NELAC-NY10854,NJDEP,PADEP	10/26/2016 15:30	10/27/2016 02:54	BK
123-91-1	1,4-Dioxane	ND		mg/kg dry	0.064	0.13	1	EPA 8260C Certifications: NELAC-NY10854,NJDEP	10/26/2016 15:30	10/27/2016 02:54	BK
3	2-Butanone	ND		mg/kg dry	0.0032	0.0064	1	EPA 8260C Certifications: CTDOH,NELAC-NY10854,NJDEP	10/26/2016 15:30	10/27/2016 02:54	BK



Sample Information

Client Sample ID: SB-06-3.5-4.0'

York Sample ID: 16J0783-10

York Project (SDG) No.
16J0783

Client Project ID
95th str sewer/water OEGS 15-008-0265

Matrix
Soil

Collection Date/Time
October 20, 2016 12:15 pm

Date Received
10/21/2016

Volatile Organics, 8260 - Comprehensive

Log-in Notes: VOA-CONT

Sample Notes:

Sample Prepared by Method: EPA 5035A

CAS No.	Parameter	Result	Flag	Units	Reported to LOD/MDL	LOQ	Dilution	Reference Method	Date/Time Prepared	Date/Time Analyzed	Analyst
591-78-6	2-Hexanone	ND		mg/kg dry	0.0032	0.0064	1	EPA 8260C Certifications: CTDOH,NELAC-NY10854,NJDEP	10/26/2016 15:30	10/27/2016 02:54	BK
108-10-1	4-Methyl-2-pentanone	ND		mg/kg dry	0.0032	0.0064	1	EPA 8260C Certifications: CTDOH,NELAC-NY10854,NJDEP	10/26/2016 15:30	10/27/2016 02:54	BK
67-64-1	Acetone	ND		mg/kg dry	0.0064	0.013	1	EPA 8260C Certifications: CTDOH,NELAC-NY10854,NJDEP	10/26/2016 15:30	10/27/2016 02:54	BK
107-02-8	Acrolein	ND		mg/kg dry	0.0064	0.013	1	EPA 8260C Certifications: CTDOH,NELAC-NY10854,NJDEP	10/26/2016 15:30	10/27/2016 02:54	BK
107-13-1	Acrylonitrile	ND		mg/kg dry	0.0032	0.0064	1	EPA 8260C Certifications: CTDOH,NELAC-NY10854,NJDEP	10/26/2016 15:30	10/27/2016 02:54	BK
71-43-2	Benzene	ND		mg/kg dry	0.0032	0.0064	1	EPA 8260C Certifications: CTDOH,NELAC-NY10854,NJDEP,PADEP	10/26/2016 15:30	10/27/2016 02:54	BK
74-97-5	Bromochloromethane	ND		mg/kg dry	0.0032	0.0064	1	EPA 8260C Certifications: NELAC-NY10854,NJDEP	10/26/2016 15:30	10/27/2016 02:54	BK
75-27-4	Bromodichloromethane	ND		mg/kg dry	0.0032	0.0064	1	EPA 8260C Certifications: CTDOH,NELAC-NY10854,NJDEP,PADEP	10/26/2016 15:30	10/27/2016 02:54	BK
75-25-2	Bromoform	ND		mg/kg dry	0.0032	0.0064	1	EPA 8260C Certifications: CTDOH,NELAC-NY10854,NJDEP,PADEP	10/26/2016 15:30	10/27/2016 02:54	BK
74-83-9	Bromomethane	ND		mg/kg dry	0.0032	0.0064	1	EPA 8260C Certifications: CTDOH,NELAC-NY10854,NJDEP,PADEP	10/26/2016 15:30	10/27/2016 02:54	BK
75-15-0	Carbon disulfide	ND		mg/kg dry	0.0032	0.0064	1	EPA 8260C Certifications: CTDOH,NELAC-NY10854,NJDEP	10/26/2016 15:30	10/27/2016 02:54	BK
56-23-5	Carbon tetrachloride	ND		mg/kg dry	0.0032	0.0064	1	EPA 8260C Certifications: CTDOH,NELAC-NY10854,NJDEP,PADEP	10/26/2016 15:30	10/27/2016 02:54	BK
108-90-7	Chlorobenzene	ND		mg/kg dry	0.0032	0.0064	1	EPA 8260C Certifications: CTDOH,NELAC-NY10854,NJDEP,PADEP	10/26/2016 15:30	10/27/2016 02:54	BK
75-00-3	Chloroethane	ND		mg/kg dry	0.0032	0.0064	1	EPA 8260C Certifications: CTDOH,NELAC-NY10854,NJDEP,PADEP	10/26/2016 15:30	10/27/2016 02:54	BK
67-66-3	Chloroform	ND		mg/kg dry	0.0032	0.0064	1	EPA 8260C Certifications: CTDOH,NELAC-NY10854,NJDEP,PADEP	10/26/2016 15:30	10/27/2016 02:54	BK
74-87-3	Chloromethane	ND		mg/kg dry	0.0032	0.0064	1	EPA 8260C Certifications: CTDOH,NELAC-NY10854,NJDEP,PADEP	10/26/2016 15:30	10/27/2016 02:54	BK
156-59-2	cis-1,2-Dichloroethylene	ND		mg/kg dry	0.0032	0.0064	1	EPA 8260C Certifications: CTDOH,NELAC-NY10854,NJDEP	10/26/2016 15:30	10/27/2016 02:54	BK
10061-01-5	cis-1,3-Dichloropropylene	ND		mg/kg dry	0.0032	0.0064	1	EPA 8260C Certifications: CTDOH,NELAC-NY10854,NJDEP,PADEP	10/26/2016 15:30	10/27/2016 02:54	BK
110-82-7	Cyclohexane	ND		mg/kg dry	0.0032	0.0064	1	EPA 8260C Certifications: NELAC-NY10854,NJDEP	10/26/2016 15:30	10/27/2016 02:54	BK
124-48-1	Dibromochloromethane	ND		mg/kg dry	0.0032	0.0064	1	EPA 8260C Certifications: NELAC-NY10854,NJDEP,PADEP	10/26/2016 15:30	10/27/2016 02:54	BK
74-95-3	Dibromomethane	ND		mg/kg dry	0.0032	0.0064	1	EPA 8260C Certifications: NELAC-NY10854,NJDEP	10/26/2016 15:30	10/27/2016 02:54	BK
75-71-8	Dichlorodifluoromethane	ND		mg/kg dry	0.0032	0.0064	1	EPA 8260C Certifications: NELAC-NY10854,NJDEP	10/26/2016 15:30	10/27/2016 02:54	BK



Sample Information

Client Sample ID: SB-06-3.5-4.0'

York Sample ID: 16J0783-10

York Project (SDG) No.
16J0783

Client Project ID
95th str sewer/water OEGS 15-008-0265

Matrix
Soil

Collection Date/Time
October 20, 2016 12:15 pm

Date Received
10/21/2016

Volatile Organics, 8260 - Comprehensive

Log-in Notes: VOA-CONT Sample Notes:

Sample Prepared by Method: EPA 5035A

CAS No.	Parameter	Result	Flag	Units	Reported to LOD/MDL	LOQ	Dilution	Reference Method	Date/Time Prepared	Date/Time Analyzed	Analyst
100-41-4	Ethyl Benzene	ND		mg/kg dry	0.0032	0.0064	1	EPA 8260C Certifications: CTDOH,NELAC-NY10854,NJDEP,PADEP	10/26/2016 15:30	10/27/2016 02:54	BK
87-68-3	Hexachlorobutadiene	ND		mg/kg dry	0.0032	0.0064	1	EPA 8260C Certifications: NELAC-NY10854,NJDEP	10/26/2016 15:30	10/27/2016 02:54	BK
98-82-8	Isopropylbenzene	ND		mg/kg dry	0.0032	0.0064	1	EPA 8260C Certifications: CTDOH,NELAC-NY10854,NJDEP	10/26/2016 15:30	10/27/2016 02:54	BK
79-20-9	Methyl acetate	ND		mg/kg dry	0.0032	0.0064	1	EPA 8260C Certifications: NELAC-NY10854,NJDEP	10/26/2016 15:30	10/27/2016 02:54	BK
1634-04-4	Methyl tert-butyl ether (MTBE)	ND		mg/kg dry	0.0032	0.0064	1	EPA 8260C Certifications: CTDOH,NELAC-NY10854,NJDEP	10/26/2016 15:30	10/27/2016 02:54	BK
108-87-2	Methylcyclohexane	ND		mg/kg dry	0.0032	0.0064	1	EPA 8260C Certifications: NELAC-NY10854,NJDEP	10/26/2016 15:30	10/27/2016 02:54	BK
75-09-2	Methylene chloride	ND		mg/kg dry	0.0064	0.013	1	EPA 8260C Certifications: CTDOH,NELAC-NY10854,NJDEP,PADEP	10/26/2016 15:30	10/27/2016 02:54	BK
106-51-8	n-Butylbenzene	ND		mg/kg dry	0.0032	0.0064	1	EPA 8260C Certifications: CTDOH,NELAC-NY10854,NJDEP	10/26/2016 15:30	10/27/2016 02:54	BK
103-65-1	n-Propylbenzene	ND		mg/kg dry	0.0032	0.0064	1	EPA 8260C Certifications: CTDOH,NELAC-NY10854,NJDEP	10/26/2016 15:30	10/27/2016 02:54	BK
95-47-6	o-Xylene	ND		mg/kg dry	0.0032	0.0064	1	EPA 8260C Certifications: CTDOH,NELAC-NY10854	10/26/2016 15:30	10/27/2016 02:54	BK
179601-23-1	p- & m- Xylenes	ND		mg/kg dry	0.0064	0.013	1	EPA 8260C Certifications: CTDOH,NELAC-NY10854	10/26/2016 15:30	10/27/2016 02:54	BK
99-87-6	p-Isopropyltoluene	ND		mg/kg dry	0.0032	0.0064	1	EPA 8260C Certifications: CTDOH,NELAC-NY10854,NJDEP	10/26/2016 15:30	10/27/2016 02:54	BK
135-98-8	sec-Butylbenzene	ND		mg/kg dry	0.0032	0.0064	1	EPA 8260C Certifications: CTDOH,NELAC-NY10854,NJDEP	10/26/2016 15:30	10/27/2016 02:54	BK
100-42-5	Styrene	ND		mg/kg dry	0.0032	0.0064	1	EPA 8260C Certifications: CTDOH,NELAC-NY10854,NJDEP	10/26/2016 15:30	10/27/2016 02:54	BK
75-65-0	tert-Butyl alcohol (TBA)	ND		mg/kg dry	0.0032	0.0064	1	EPA 8260C Certifications: NELAC-NY10854,NJDEP	10/26/2016 15:30	10/27/2016 02:54	BK
98-06-6	tert-Butylbenzene	ND		mg/kg dry	0.0032	0.0064	1	EPA 8260C Certifications: CTDOH,NELAC-NY10854,NJDEP	10/26/2016 15:30	10/27/2016 02:54	BK
127-18-4	Tetrachloroethylene	ND		mg/kg dry	0.0032	0.0064	1	EPA 8260C Certifications: CTDOH,NELAC-NY10854,NJDEP,PADEP	10/26/2016 15:30	10/27/2016 02:54	BK
108-88-3	Toluene	ND		mg/kg dry	0.0032	0.0064	1	EPA 8260C Certifications: CTDOH,NELAC-NY10854,NJDEP,PADEP	10/26/2016 15:30	10/27/2016 02:54	BK
156-60-5	trans-1,2-Dichloroethylene	ND		mg/kg dry	0.0032	0.0064	1	EPA 8260C Certifications: CTDOH,NELAC-NY10854,NJDEP	10/26/2016 15:30	10/27/2016 02:54	BK
10061-02-6	trans-1,3-Dichloropropylene	ND		mg/kg dry	0.0032	0.0064	1	EPA 8260C Certifications: CTDOH,NELAC-NY10854,NJDEP,PADEP	10/26/2016 15:30	10/27/2016 02:54	BK
79-01-6	Trichloroethylene	ND		mg/kg dry	0.0032	0.0064	1	EPA 8260C Certifications: CTDOH,NELAC-NY10854,NJDEP,PADEP	10/26/2016 15:30	10/27/2016 02:54	BK
75-69-4	Trichlorofluoromethane	ND		mg/kg dry	0.0032	0.0064	1	EPA 8260C Certifications: CTDOH,NELAC-NY10854,NJDEP,PADEP	10/26/2016 15:30	10/27/2016 02:54	BK



Sample Information

Client Sample ID: SB-06-3.5-4.0' **York Sample ID:** 16J0783-10
York Project (SDG) No. 16J0783 **Client Project ID** 95th str sewer/water OEGS 15-008-0265 **Matrix** Soil **Collection Date/Time** October 20, 2016 12:15 pm **Date Received** 10/21/2016

Volatile Organics, 8260 - Comprehensive

Log-in Notes: VOA-CONT **Sample Notes:**

Sample Prepared by Method: EPA 5035A

CAS No.	Parameter	Result	Flag	Units	Reported to LOD/MDL	LOQ	Dilution	Reference Method	Date/Time Prepared	Date/Time Analyzed	Analyst
75-01-4	Vinyl Chloride	ND		mg/kg dry	0.0032	0.0064	1	EPA 8260C Certifications: CTDOH,NELAC-NY10854,NJDEP,PADEP	10/26/2016 15:30	10/27/2016 02:54	BK
1330-20-7	Xylenes, Total	ND		mg/kg dry	0.0096	0.019	1	EPA 8260C Certifications: CTDOH,NELAC-NY10854,NJDEP,PADEP	10/26/2016 15:30	10/27/2016 02:54	BK
Surrogate Recoveries		Result			Acceptance Range						
17060-07-0	Surrogate: 1,2-Dichloroethane-d4	106 %			77-125						
2037-26-5	Surrogate: Toluene-d8	99.0 %			85-120						
460-00-4	Surrogate: p-Bromofluorobenzene	92.1 %			76-130						

Semi-Volatiles, 8270 - Comprehensive

Log-in Notes: VOA-CONT **Sample Notes:**

Sample Prepared by Method: EPA 3550C

CAS No.	Parameter	Result	Flag	Units	Reported to LOD/MDL	LOQ	Dilution	Reference Method	Date/Time Prepared	Date/Time Analyzed	Analyst
92-52-4	1,1'-Biphenyl	ND		mg/kg dry	0.0533	0.106	2	EPA 8270D Certifications: NELAC-NY10854,NJDEP,PADEP	10/25/2016 14:08	10/26/2016 13:01	KH
95-94-3	1,2,4,5-Tetrachlorobenzene	ND		mg/kg dry	0.106	0.212	2	EPA 8270D Certifications: NELAC-NY10854,NJDEP,PADEP	10/25/2016 14:08	10/26/2016 13:01	KH
120-82-1	1,2,4-Trichlorobenzene	ND		mg/kg dry	0.0533	0.106	2	EPA 8270D Certifications: CTDOH,NELAC-NY10854,NJDEP,PADEP	10/25/2016 14:08	10/26/2016 13:01	KH
95-50-1	1,2-Dichlorobenzene	ND		mg/kg dry	0.0533	0.106	2	EPA 8270D Certifications: NELAC-NY10854,PADEP	10/25/2016 14:08	10/26/2016 13:01	KH
122-66-7	1,2-Diphenylhydrazine (as Azobenzene)	ND		mg/kg dry	0.0533	0.106	2	EPA 8270D Certifications: NELAC-NY10854,NJDEP,PADEP	10/25/2016 14:08	10/26/2016 13:01	KH
541-73-1	1,3-Dichlorobenzene	ND		mg/kg dry	0.0533	0.106	2	EPA 8270D Certifications: NELAC-NY10854,PADEP	10/25/2016 14:08	10/26/2016 13:01	KH
106-46-7	1,4-Dichlorobenzene	ND		mg/kg dry	0.0533	0.106	2	EPA 8270D Certifications: NELAC-NY10854,PADEP	10/25/2016 14:08	10/26/2016 13:01	KH
58-90-2	2,3,4,6-Tetrachlorophenol	ND		mg/kg dry	0.106	0.212	2	EPA 8270D Certifications: NELAC-NY10854,NJDEP,PADEP	10/25/2016 14:08	10/26/2016 13:01	KH
95-95-4	2,4,5-Trichlorophenol	ND		mg/kg dry	0.0533	0.106	2	EPA 8270D Certifications: CTDOH,NELAC-NY10854,NJDEP,PADEP	10/25/2016 14:08	10/26/2016 13:01	KH
88-06-2	2,4,6-Trichlorophenol	ND		mg/kg dry	0.0533	0.106	2	EPA 8270D Certifications: CTDOH,NELAC-NY10854,NJDEP,PADEP	10/25/2016 14:08	10/26/2016 13:01	KH
120-83-2	2,4-Dichlorophenol	ND		mg/kg dry	0.0533	0.106	2	EPA 8270D Certifications: CTDOH,NELAC-NY10854,NJDEP,PADEP	10/25/2016 14:08	10/26/2016 13:01	KH
105-67-9	2,4-Dimethylphenol	ND		mg/kg dry	0.0533	0.106	2	EPA 8270D Certifications: CTDOH,NELAC-NY10854,NJDEP,PADEP	10/25/2016 14:08	10/26/2016 13:01	KH
51-28-5	2,4-Dinitrophenol	ND		mg/kg dry	0.106	0.212	2	EPA 8270D Certifications: CTDOH,NELAC-NY10854,NJDEP,PADEP	10/25/2016 14:08	10/26/2016 13:01	KH
121-14-2	2,4-Dinitrotoluene	ND		mg/kg dry	0.0533	0.106	2	EPA 8270D Certifications: CTDOH,NELAC-NY10854,NJDEP,PADEP	10/25/2016 14:08	10/26/2016 13:01	KH
606-20-2	2,6-Dinitrotoluene	ND		mg/kg dry	0.0533	0.106	2	EPA 8270D Certifications: CTDOH,NELAC-NY10854,NJDEP,PADEP	10/25/2016 14:08	10/26/2016 13:01	KH

HAZ-226



Sample Information

Client Sample ID: SB-06-3.5-4.0'

York Sample ID: 16J0783-10

York Project (SDG) No.
16J0783

Client Project ID
95th str sewer/water OEGS 15-008-0265

Matrix
Soil

Collection Date/Time
October 20, 2016 12:15 pm

Date Received
10/21/2016

Semi-Volatiles, 8270 - Comprehensive

Log-in Notes: VOA-CONT **Sample Notes:**

Sample Prepared by Method: EPA 3550C

CAS No.	Parameter	Result	Flag	Units	Reported to LOD/MDL	LOQ	Dilution	Reference Method	Date/Time Prepared	Date/Time Analyzed	Analyst
91-58-7	2-Chloronaphthalene	ND		mg/kg dry	0.0533	0.106	2	EPA 8270D Certifications: CTDOH,NELAC-NY10854,NJDEP,PADEP	10/25/2016 14:08	10/26/2016 13:01	KH
95-57-8	2-Chlorophenol	ND		mg/kg dry	0.0533	0.106	2	EPA 8270D Certifications: CTDOH,NELAC-NY10854,NJDEP,PADEP	10/25/2016 14:08	10/26/2016 13:01	KH
91-57-6	2-Methylnaphthalene	ND		mg/kg dry	0.0533	0.106	2	EPA 8270D Certifications: CTDOH,NELAC-NY10854,NJDEP,PADEP	10/25/2016 14:08	10/26/2016 13:01	KH
95-48-7	2-Methylphenol	ND		mg/kg dry	0.0533	0.106	2	EPA 8270D Certifications: CTDOH,NELAC-NY10854,NJDEP,PADEP	10/25/2016 14:08	10/26/2016 13:01	KH
88-74-4	2-Nitroaniline	ND		mg/kg dry	0.106	0.212	2	EPA 8270D Certifications: CTDOH,NELAC-NY10854,NJDEP,PADEP	10/25/2016 14:08	10/26/2016 13:01	KH
88-75-5	2-Nitrophenol	ND		mg/kg dry	0.0533	0.106	2	EPA 8270D Certifications: CTDOH,NELAC-NY10854,NJDEP,PADEP	10/25/2016 14:08	10/26/2016 13:01	KH
65794-96-9	3- & 4-Methylphenols	ND		mg/kg dry	0.0533	0.106	2	EPA 8270D Certifications: CTDOH,NELAC-NY10854,NJDEP,PADEP	10/25/2016 14:08	10/26/2016 13:01	KH
94-1	3,3'-Dichlorobenzidine	ND		mg/kg dry	0.0533	0.106	2	EPA 8270D Certifications: NELAC-NY10854,NJDEP,PADEP	10/25/2016 14:08	10/26/2016 13:01	KH
99-09-2	3-Nitroaniline	ND		mg/kg dry	0.106	0.212	2	EPA 8270D Certifications: CTDOH,NELAC-NY10854,NJDEP,PADEP	10/25/2016 14:08	10/26/2016 13:01	KH
534-52-1	4,6-Dinitro-2-methylphenol	ND		mg/kg dry	0.106	0.212	2	EPA 8270D Certifications: CTDOH,NELAC-NY10854,NJDEP,PADEP	10/25/2016 14:08	10/26/2016 13:01	KH
101-55-3	4-Bromophenyl phenyl ether	ND		mg/kg dry	0.0533	0.106	2	EPA 8270D Certifications: CTDOH,NELAC-NY10854,NJDEP,PADEP	10/25/2016 14:08	10/26/2016 13:01	KH
59-50-7	4-Chloro-3-methylphenol	ND		mg/kg dry	0.0533	0.106	2	EPA 8270D Certifications: CTDOH,NELAC-NY10854,NJDEP,PADEP	10/25/2016 14:08	10/26/2016 13:01	KH
106-47-8	4-Chloroaniline	ND		mg/kg dry	0.0533	0.106	2	EPA 8270D Certifications: CTDOH,NELAC-NY10854,NJDEP,PADEP	10/25/2016 14:08	10/26/2016 13:01	KH
7005-72-3	4-Chlorophenyl phenyl ether	ND		mg/kg dry	0.0533	0.106	2	EPA 8270D Certifications: CTDOH,NELAC-NY10854,NJDEP,PADEP	10/25/2016 14:08	10/26/2016 13:01	KH
100-01-6	4-Nitroaniline	ND		mg/kg dry	0.106	0.212	2	EPA 8270D Certifications: CTDOH,NELAC-NY10854,NJDEP,PADEP	10/25/2016 14:08	10/26/2016 13:01	KH
100-02-7	4-Nitrophenol	ND		mg/kg dry	0.106	0.212	2	EPA 8270D Certifications: CTDOH,NELAC-NY10854,NJDEP,PADEP	10/25/2016 14:08	10/26/2016 13:01	KH
83-32-9	Acenaphthene	ND		mg/kg dry	0.0533	0.106	2	EPA 8270D Certifications: CTDOH,NELAC-NY10854,NJDEP,PADEP	10/25/2016 14:08	10/26/2016 13:01	KH
208-96-8	Acenaphthylene	ND		mg/kg dry	0.0533	0.106	2	EPA 8270D Certifications: CTDOH,NELAC-NY10854,NJDEP,PADEP	10/25/2016 14:08	10/26/2016 13:01	KH
98-86-2	Acetophenone	ND		mg/kg dry	0.0533	0.106	2	EPA 8270D Certifications: NELAC-NY10854,NJDEP,PADEP	10/25/2016 14:08	10/26/2016 13:01	KH
62-53-3	Aniline	ND		mg/kg dry	0.213	0.426	2	EPA 8270D Certifications: NELAC-NY10854,NJDEP,PADEP	10/25/2016 14:08	10/26/2016 13:01	KH
120-12-7	Anthracene	ND		mg/kg dry	0.0533	0.106	2	EPA 8270D Certifications: CTDOH,NELAC-NY10854,NJDEP,PADEP	10/25/2016 14:08	10/26/2016 13:01	KH
1912-24-9	Atrazine	ND		mg/kg dry	0.0533	0.106	2	EPA 8270D Certifications: NELAC-NY10854,NJDEP,PADEP	10/25/2016 14:08	10/26/2016 13:01	KH

HAZ-227



Sample Information

Client Sample ID: SB-06-3.5-4.0'

York Sample ID: 16J0783-10

York Project (SDG) No.
16J0783

Client Project ID
95th str sewer/water OEGS 15-008-0265

Matrix
Soil

Collection Date/Time
October 20, 2016 12:15 pm

Date Received
10/21/2016

Semi-Volatiles, 8270 - Comprehensive

Log-in Notes: VOA-CONT

Sample Notes:

Sample Prepared by Method: EPA 3550C

CAS No.	Parameter	Result	Flag	Units	Reported to LOD/MDL	LOQ	Dilution	Reference Method	Date/Time Prepared	Date/Time Analyzed	Analyst
100-52-7	Benzaldehyde	ND		mg/kg dry	0.0533	0.106	2	EPA 8270D Certifications: NELAC-NY10854,NJDEP,PADEP	10/25/2016 14:08	10/26/2016 13:01	KH
92-87-5	Benzidine	ND		mg/kg dry	0.213	0.426	2	EPA 8270D Certifications: CTDOH,NELAC-NY10854,PADEP	10/25/2016 14:08	10/26/2016 13:01	KH
56-55-3	Benzo(a)anthracene	ND		mg/kg dry	0.0533	0.106	2	EPA 8270D Certifications: CTDOH,NELAC-NY10854,NJDEP,PADEP	10/25/2016 14:08	10/26/2016 13:01	KH
50-32-8	Benzo(a)pyrene	ND		mg/kg dry	0.0533	0.106	2	EPA 8270D Certifications: CTDOH,NELAC-NY10854,NJDEP,PADEP	10/25/2016 14:08	10/26/2016 13:01	KH
205-99-2	Benzo(b)fluoranthene	ND		mg/kg dry	0.0533	0.106	2	EPA 8270D Certifications: CTDOH,NELAC-NY10854,NJDEP,PADEP	10/25/2016 14:08	10/26/2016 13:01	KH
191-24-2	Benzo(g,h,i)perylene	ND		mg/kg dry	0.0533	0.106	2	EPA 8270D Certifications: CTDOH,NELAC-NY10854,NJDEP,PADEP	10/25/2016 14:08	10/26/2016 13:01	KH
207-08-9	Benzo(k)fluoranthene	ND		mg/kg dry	0.0533	0.106	2	EPA 8270D Certifications: CTDOH,NELAC-NY10854,NJDEP,PADEP	10/25/2016 14:08	10/26/2016 13:01	KH
65-85-0	Benzoic acid	ND		mg/kg dry	0.0533	0.106	2	EPA 8270D Certifications: NELAC-NY10854,NJDEP,PADEP	10/25/2016 14:08	10/26/2016 13:01	KH
100-51-6	Benzyl alcohol	ND		mg/kg dry	0.0533	0.106	2	EPA 8270D Certifications: NELAC-NY10854,NJDEP,PADEP	10/25/2016 14:08	10/26/2016 13:01	KH
85-68-7	Benzyl butyl phthalate	ND		mg/kg dry	0.0533	0.106	2	EPA 8270D Certifications: CTDOH,NELAC-NY10854,NJDEP,PADEP	10/25/2016 14:08	10/26/2016 13:01	KH
111-91-1	Bis(2-chloroethoxy)methane	ND		mg/kg dry	0.0533	0.106	2	EPA 8270D Certifications: CTDOH,NELAC-NY10854,NJDEP,PADEP	10/25/2016 14:08	10/26/2016 13:01	KH
111-44-4	Bis(2-chloroethyl)ether	ND		mg/kg dry	0.0533	0.106	2	EPA 8270D Certifications: CTDOH,NELAC-NY10854,NJDEP,PADEP	10/25/2016 14:08	10/26/2016 13:01	KH
108-60-1	Bis(2-chloroisopropyl)ether	ND		mg/kg dry	0.0533	0.106	2	EPA 8270D Certifications: CTDOH,NELAC-NY10854,NJDEP,PADEP	10/25/2016 14:08	10/26/2016 13:01	KH
117-81-7	Bis(2-ethylhexyl)phthalate	ND		mg/kg dry	0.0533	0.106	2	EPA 8270D Certifications: CTDOH,NELAC-NY10854,NJDEP,PADEP	10/25/2016 14:08	10/26/2016 13:01	KH
105-60-2	Caprolactam	ND		mg/kg dry	0.106	0.212	2	EPA 8270D Certifications: NELAC-NY10854,NJDEP,PADEP	10/25/2016 14:08	10/26/2016 13:01	KH
86-74-8	Carbazole	ND		mg/kg dry	0.0533	0.106	2	EPA 8270D Certifications: CTDOH,NELAC-NY10854,NJDEP,PADEP	10/25/2016 14:08	10/26/2016 13:01	KH
218-01-9	Chrysene	ND		mg/kg dry	0.0533	0.106	2	EPA 8270D Certifications: CTDOH,NELAC-NY10854,NJDEP,PADEP	10/25/2016 14:08	10/26/2016 13:01	KH
53-70-3	Dibenzo(a,h)anthracene	ND		mg/kg dry	0.0533	0.106	2	EPA 8270D Certifications: CTDOH,NELAC-NY10854,NJDEP,PADEP	10/25/2016 14:08	10/26/2016 13:01	KH
132-64-9	Dibenzofuran	ND		mg/kg dry	0.0533	0.106	2	EPA 8270D Certifications: CTDOH,NELAC-NY10854,NJDEP,PADEP	10/25/2016 14:08	10/26/2016 13:01	KH
84-66-2	Diethyl phthalate	ND		mg/kg dry	0.0533	0.106	2	EPA 8270D Certifications: CTDOH,NELAC-NY10854,NJDEP,PADEP	10/25/2016 14:08	10/26/2016 13:01	KH
131-11-3	Dimethyl phthalate	ND		mg/kg dry	0.0533	0.106	2	EPA 8270D Certifications: CTDOH,NELAC-NY10854,NJDEP,PADEP	10/25/2016 14:08	10/26/2016 13:01	KH
84-74-2	Di-n-butyl phthalate	ND		mg/kg dry	0.0533	0.106	2	EPA 8270D Certifications: CTDOH,NELAC-NY10854,NJDEP,PADEP	10/25/2016 14:08	10/26/2016 13:01	KH

HAZ-228



Sample Information

Client Sample ID: SB-06-3.5-4.0'

York Sample ID: 16J0783-10

York Project (SDG) No.
16J0783

Client Project ID
95th str sewer/water OEGS 15-008-0265

Matrix
Soil

Collection Date/Time
October 20, 2016 12:15 pm

Date Received
10/21/2016

Semi-Volatiles, 8270 - Comprehensive

Log-in Notes: VOA-CONT Sample Notes:

Sample Prepared by Method: EPA 3550C

CAS No.	Parameter	Result	Flag	Units	Reported to LOD/MDL	LOQ	Dilution	Reference Method	Date/Time Prepared	Date/Time Analyzed	Analyst
117-84-0	Di-n-octyl phthalate	ND		mg/kg dry	0.0533	0.106	2	EPA 8270D Certifications: CTDOH,NELAC-NY10854,NJDEP,PADEP	10/25/2016 14:08	10/26/2016 13:01	KH
206-44-0	Fluoranthene	ND		mg/kg dry	0.0533	0.106	2	EPA 8270D Certifications: CTDOH,NELAC-NY10854,NJDEP,PADEP	10/25/2016 14:08	10/26/2016 13:01	KH
86-73-7	Fluorene	ND		mg/kg dry	0.0533	0.106	2	EPA 8270D Certifications: NELAC-NY10854,NJDEP,PADEP	10/25/2016 14:08	10/26/2016 13:01	KH
118-74-1	Hexachlorobenzene	ND		mg/kg dry	0.0533	0.106	2	EPA 8270D Certifications: CTDOH,NELAC-NY10854,NJDEP,PADEP	10/25/2016 14:08	10/26/2016 13:01	KH
87-68-3	Hexachlorobutadiene	ND		mg/kg dry	0.0533	0.106	2	EPA 8270D Certifications: CTDOH,NELAC-NY10854,NJDEP,PADEP	10/25/2016 14:08	10/26/2016 13:01	KH
77-47-4	Hexachlorocyclopentadiene	ND		mg/kg dry	0.0533	0.106	2	EPA 8270D Certifications: CTDOH,NELAC-NY10854,NJDEP,PADEP	10/25/2016 14:08	10/26/2016 13:01	KH
67-72-1	Hexachloroethane	ND		mg/kg dry	0.0533	0.106	2	EPA 8270D Certifications: CTDOH,NELAC-NY10854,NJDEP,PADEP	10/25/2016 14:08	10/26/2016 13:01	KH
123-39-5	Indeno(1,2,3-cd)pyrene	ND		mg/kg dry	0.0533	0.106	2	EPA 8270D Certifications: CTDOH,NELAC-NY10854,NJDEP,PADEP	10/25/2016 14:08	10/26/2016 13:01	KH
78-59-1	Isophorone	ND		mg/kg dry	0.0533	0.106	2	EPA 8270D Certifications: CTDOH,NELAC-NY10854,NJDEP,PADEP	10/25/2016 14:08	10/26/2016 13:01	KH
91-20-3	Naphthalene	ND		mg/kg dry	0.0533	0.106	2	EPA 8270D Certifications: CTDOH,NELAC-NY10854,NJDEP,PADEP	10/25/2016 14:08	10/26/2016 13:01	KH
98-95-3	Nitrobenzene	ND		mg/kg dry	0.0533	0.106	2	EPA 8270D Certifications: CTDOH,NELAC-NY10854,NJDEP,PADEP	10/25/2016 14:08	10/26/2016 13:01	KH
62-75-9	N-Nitrosodimethylamine	ND		mg/kg dry	0.0533	0.106	2	EPA 8270D Certifications: CTDOH,NELAC-NY10854,NJDEP,PADEP	10/25/2016 14:08	10/26/2016 13:01	KH
621-64-7	N-nitroso-di-n-propylamine	ND		mg/kg dry	0.0533	0.106	2	EPA 8270D Certifications: CTDOH,NELAC-NY10854,NJDEP,PADEP	10/25/2016 14:08	10/26/2016 13:01	KH
86-30-6	N-Nitrosodiphenylamine	ND		mg/kg dry	0.0533	0.106	2	EPA 8270D Certifications: CTDOH,NELAC-NY10854,NJDEP,PADEP	10/25/2016 14:08	10/26/2016 13:01	KH
87-86-5	Pentachlorophenol	ND		mg/kg dry	0.0533	0.106	2	EPA 8270D Certifications: CTDOH,NELAC-NY10854,NJDEP,PADEP	10/25/2016 14:08	10/26/2016 13:01	KH
85-01-8	Phenanthrene	ND		mg/kg dry	0.0533	0.106	2	EPA 8270D Certifications: CTDOH,NELAC-NY10854,NJDEP,PADEP	10/25/2016 14:08	10/26/2016 13:01	KH
108-95-2	Phenol	ND		mg/kg dry	0.0533	0.106	2	EPA 8270D Certifications: CTDOH,NELAC-NY10854,NJDEP,PADEP	10/25/2016 14:08	10/26/2016 13:01	KH
129-00-0	Pyrene	ND		mg/kg dry	0.0533	0.106	2	EPA 8270D Certifications: CTDOH,NELAC-NY10854,NJDEP,PADEP	10/25/2016 14:08	10/26/2016 13:01	KH

Surrogate Recoveries

	Surrogate Recoveries	Result	Acceptance Range
367-12-4	Surrogate: 2-Fluorophenol	36.0 %	20-108
4165-62-2	Surrogate: Phenol-d5	34.8 %	23-114
4165-60-0	Surrogate: Nitrobenzene-d5	25.5 %	22-108
50-8	Surrogate: 2-Fluorobiphenyl	31.2 %	21-113
9-6	Surrogate: 2,4,6-Tribromophenol	47.4 %	19-110
1718-51-0	Surrogate: Terphenyl-d14	40.9 %	24-116

HAZ-229



Sample Information

Client Sample ID: SB-06-3.5-4.0'

York Sample ID: 16J0783-10

York Project (SDG) No.
16J0783

Client Project ID
95th str sewer/water OEGS 15-008-0265

Matrix
Soil

Collection Date/Time
October 20, 2016 12:15 pm

Date Received
10/21/2016

Pesticides, 8081 target list

Log-in Notes: VOA-CONT **Sample Notes:**

Sample Prepared by Method: EPA 3550C

CAS No.	Parameter	Result	Flag	Units	LOD/MDL	Reported to LOQ	Dilution	Reference Method	Date/Time Prepared	Date/Time Analyzed	Analyst
72-54-8	4,4'-DDD	ND		mg/kg dry	0.00210	0.00210	5	EPA 8081B Certifications: CTDOH,NELAC-NY10854,NJDEP,PADEP	10/26/2016 12:50	10/27/2016 16:04	AMC
72-55-9	4,4'-DDE	ND		mg/kg dry	0.00210	0.00210	5	EPA 8081B Certifications: CTDOH,NELAC-NY10854,NJDEP,PADEP	10/26/2016 12:50	10/27/2016 16:04	AMC
50-29-3	4,4'-DDT	ND		mg/kg dry	0.00210	0.00210	5	EPA 8081B Certifications: CTDOH,NELAC-NY10854,NJDEP,PADEP	10/26/2016 12:50	10/27/2016 16:04	AMC
309-00-2	Aldrin	ND		mg/kg dry	0.00210	0.00210	5	EPA 8081B Certifications: CTDOH,NELAC-NY10854,NJDEP,PADEP	10/26/2016 12:50	10/27/2016 16:04	AMC
319-84-6	alpha-BHC	ND		mg/kg dry	0.00210	0.00210	5	EPA 8081B Certifications: CTDOH,NELAC-NY10854,NJDEP,PADEP	10/26/2016 12:50	10/27/2016 16:04	AMC
5103-71-9	alpha-Chlordane	ND		mg/kg dry	0.00210	0.00210	5	EPA 8081B Certifications: NELAC-NY10854,NJDEP	10/26/2016 12:50	10/27/2016 16:04	AMC
319-85-7	beta-BHC	ND		mg/kg dry	0.00210	0.00210	5	EPA 8081B Certifications: CTDOH,NELAC-NY10854,NJDEP,PADEP	10/26/2016 12:50	10/27/2016 16:04	AMC
57-74-9	Chlordane, total	ND		mg/kg dry	0.0421	0.0421	5	EPA 8081B Certifications: CTDOH,NELAC-NY10854,NJDEP,PADEP	10/26/2016 12:50	10/27/2016 16:04	AMC
319-86-8	delta-BHC	ND		mg/kg dry	0.00210	0.00210	5	EPA 8081B Certifications: CTDOH,NELAC-NY10854,NJDEP,PADEP	10/26/2016 12:50	10/27/2016 16:04	AMC
60-57-1	Dieldrin	ND		mg/kg dry	0.00210	0.00210	5	EPA 8081B Certifications: CTDOH,NELAC-NY10854,NJDEP,PADEP	10/26/2016 12:50	10/27/2016 16:04	AMC
959-98-8	Endosulfan I	ND		mg/kg dry	0.00210	0.00210	5	EPA 8081B Certifications: CTDOH,NELAC-NY10854,NJDEP,PADEP	10/26/2016 12:50	10/27/2016 16:04	AMC
33213-65-9	Endosulfan II	ND		mg/kg dry	0.00210	0.00210	5	EPA 8081B Certifications: CTDOH,NELAC-NY10854,NJDEP,PADEP	10/26/2016 12:50	10/27/2016 16:04	AMC
1031-07-8	Endosulfan sulfate	ND		mg/kg dry	0.00210	0.00210	5	EPA 8081B Certifications: CTDOH,NELAC-NY10854,NJDEP,PADEP	10/26/2016 12:50	10/27/2016 16:04	AMC
72-20-8	Endrin	ND		mg/kg dry	0.00210	0.00210	5	EPA 8081B Certifications: CTDOH,NELAC-NY10854,NJDEP,PADEP	10/26/2016 12:50	10/27/2016 16:04	AMC
7421-93-4	Endrin aldehyde	ND		mg/kg dry	0.00210	0.00210	5	EPA 8081B Certifications: CTDOH,NELAC-NY10854,NJDEP,PADEP	10/26/2016 12:50	10/27/2016 16:04	AMC
53494-70-5	Endrin ketone	ND		mg/kg dry	0.00210	0.00210	5	EPA 8081B Certifications: CTDOH,NELAC-NY10854,NJDEP,PADEP	10/26/2016 12:50	10/27/2016 16:04	AMC
58-89-9	gamma-BHC (Lindane)	ND		mg/kg dry	0.00210	0.00210	5	EPA 8081B Certifications: CTDOH,NELAC-NY10854,NJDEP,PADEP	10/26/2016 12:50	10/27/2016 16:04	AMC
5566-34-7	gamma-Chlordane	ND		mg/kg dry	0.00210	0.00210	5	EPA 8081B Certifications: NELAC-NY10854,NJDEP	10/26/2016 12:50	10/27/2016 16:04	AMC
76-44-8	Heptachlor	ND		mg/kg dry	0.00210	0.00210	5	EPA 8081B Certifications: CTDOH,NELAC-NY10854,NJDEP,PADEP	10/26/2016 12:50	10/27/2016 16:04	AMC
1024-57-3	Heptachlor epoxide	ND		mg/kg dry	0.00210	0.00210	5	EPA 8081B Certifications: CTDOH,NELAC-NY10854,NJDEP,PADEP	10/26/2016 12:50	10/27/2016 16:04	AMC
72-43-5	Methoxychlor	ND		mg/kg dry	0.0105	0.0105	5	EPA 8081B Certifications: CTDOH,NELAC-NY10854,NJDEP,PADEP	10/26/2016 12:50	10/27/2016 16:04	AMC

HAZ-230



Sample Information

Client Sample ID: SB-06-3.5-4.0'

York Sample ID: 16J0783-10

York Project (SDG) No.
16J0783

Client Project ID
95th str sewer/water OEGS 15-008-0265

Matrix
Soil

Collection Date/Time
October 20, 2016 12:15 pm

Date Received
10/21/2016

Pesticides, 8081 target list

Log-in Notes: VOA-CONT Sample Notes:

Sample Prepared by Method: EPA 3550C

CAS No.	Parameter	Result	Flag	Units	LOD/MDL	Reported to LOQ	Dilution	Reference Method	Date/Time Prepared	Date/Time Analyzed	Analyst
8001-35-2	Toxaphene	ND		mg/kg dry	0.106	0.106	5	EPA 8081B Certifications: CTDOH,NELAC-NY10854,NJDEP,PADEP	10/26/2016 12:50	10/27/2016 16:04	AMC
	Surrogate Recoveries	Result						Acceptance Range			
2051-24-3	Surrogate: Decachlorobiphenyl	123 %						30-150			
877-09-8	Surrogate: Tetrachloro-m-xylene	113 %						30-150			

Polychlorinated Biphenyls (PCB)

Log-in Notes: VOA-CONT Sample Notes:

Sample Prepared by Method: EPA 3550C

CAS No.	Parameter	Result	Flag	Units	LOD/MDL	Reported to LOQ	Dilution	Reference Method	Date/Time Prepared	Date/Time Analyzed	Analyst
12674-11-2	Aroclor 1016	ND		mg/kg dry	0.0212	0.0212	1	EPA 8082A Certifications: NELAC-NY10854,CTDOH,NJDEP,PADEP	10/25/2016 07:10	10/25/2016 22:38	AMC
104-28-2	Aroclor 1221	ND		mg/kg dry	0.0212	0.0212	1	EPA 8082A Certifications: NELAC-NY10854,CTDOH,NJDEP,PADEP	10/25/2016 07:10	10/25/2016 22:38	AMC
11141-16-5	Aroclor 1232	ND		mg/kg dry	0.0212	0.0212	1	EPA 8082A Certifications: NELAC-NY10854,CTDOH,NJDEP,PADEP	10/25/2016 07:10	10/25/2016 22:38	AMC
53469-21-9	Aroclor 1242	ND		mg/kg dry	0.0212	0.0212	1	EPA 8082A Certifications: NELAC-NY10854,CTDOH,NJDEP,PADEP	10/25/2016 07:10	10/25/2016 22:38	AMC
12672-29-6	Aroclor 1248	ND		mg/kg dry	0.0212	0.0212	1	EPA 8082A Certifications: NELAC-NY10854,CTDOH,NJDEP,PADEP	10/25/2016 07:10	10/25/2016 22:38	AMC
11097-69-1	Aroclor 1254	ND		mg/kg dry	0.0212	0.0212	1	EPA 8082A Certifications: NELAC-NY10854,CTDOH,NJDEP,PADEP	10/25/2016 07:10	10/25/2016 22:38	AMC
11096-82-5	Aroclor 1260	ND		mg/kg dry	0.0212	0.0212	1	EPA 8082A Certifications: NELAC-NY10854,CTDOH,NJDEP,PADEP	10/25/2016 07:10	10/25/2016 22:38	AMC
1336-36-3	* Total PCBs	ND		mg/kg dry	0.0212	0.0212	1	EPA 8082A Certifications:	10/25/2016 07:10	10/25/2016 22:38	AMC
	Surrogate Recoveries	Result						Acceptance Range			
877-09-8	Surrogate: Tetrachloro-m-xylene	104 %						30-140			
2051-24-3	Surrogate: Decachlorobiphenyl	86.0 %						30-140			

Metals, Target Analyte

Log-in Notes: VOA-CONT Sample Notes:

Sample Prepared by Method: EPA 3050B

CAS No.	Parameter	Result	Flag	Units	LOD/MDL	Reported to LOQ	Dilution	Reference Method	Date/Time Prepared	Date/Time Analyzed	Analyst
7429-90-5	Aluminum	2070		mg/kg dry	6.37	6.37	1	EPA 6010C Certifications: CTDOH,NELAC-NY10854,NJDEP,PADEP	10/24/2016 11:09	10/24/2016 21:38	KV
7440-36-0	Antimony	ND		mg/kg dry	0.637	0.637	1	EPA 6010C Certifications: CTDOH,NELAC-NY10854,NJDEP,PADEP	10/24/2016 11:09	10/24/2016 21:38	KV
7440-38-2	Arsenic	2.05		mg/kg dry	1.27	1.27	1	EPA 6010C Certifications: CTDOH,NELAC-NY10854,NJDEP,PADEP	10/24/2016 11:09	10/24/2016 21:38	KV
7440-39-3	Barium	10.0		mg/kg dry	1.27	1.27	1	EPA 6010C Certifications: CTDOH,NELAC-NY10854,NJDEP,PADEP	10/24/2016 11:09	10/24/2016 21:38	KV

HAZ-231



Sample Information

Client Sample ID: SB-06-3.5-4.0'

York Sample ID: 16J0783-10

York Project (SDG) No.
16J0783

Client Project ID
95th str sewer/water OEGS 15-008-0265

Matrix
Soil

Collection Date/Time
October 20, 2016 12:15 pm

Date Received
10/21/2016

Metals, Target Analyte

Log-in Notes: VOA-CONT

Sample Notes:

Sample Prepared by Method: EPA 3050B

CAS No.	Parameter	Result	Flag	Units	LOD/MDL	Reported to LOQ	Dilution	Reference Method	Date/Time Prepared	Date/Time Analyzed	Analyst
7440-41-7	Beryllium	ND		mg/kg dry	0.127	0.127	1	EPA 6010C Certifications: CTDOH,NELAC-NY10854,NJDEP,PADEP	10/24/2016 11:09	10/24/2016 21:38	KV
7440-43-9	Cadmium	ND		mg/kg dry	0.382	0.382	1	EPA 6010C Certifications: CTDOH,NELAC-NY10854,NJDEP,PADEP	10/24/2016 11:09	10/24/2016 21:38	KV
7440-70-2	Calcium	1110		mg/kg dry	0.637	6.37	1	EPA 6010C Certifications: CTDOH,NELAC-NY10854,NJDEP,PADEP	10/24/2016 11:09	10/24/2016 21:38	KV
7440-47-3	Chromium	6.05		mg/kg dry	0.637	0.637	1	EPA 6010C Certifications: CTDOH,NELAC-NY10854,NJDEP,PADEP	10/24/2016 11:09	10/24/2016 21:38	KV
7440-48-4	Cobalt	2.68		mg/kg dry	0.637	0.637	1	EPA 6010C Certifications: CTDOH,NELAC-NY10854,NJDEP,PADEP	10/24/2016 11:09	10/24/2016 21:38	KV
7440-50-8	Copper	7.49		mg/kg dry	0.637	0.637	1	EPA 6010C Certifications: CTDOH,NELAC-NY10854,NJDEP,PADEP	10/24/2016 11:09	10/24/2016 21:38	KV
7439-89-6	Iron	5370		mg/kg dry	2.55	2.55	1	EPA 6010C Certifications: CTDOH,NELAC-NY10854,NJDEP,PADEP	10/24/2016 11:09	10/24/2016 21:38	KV
7439-92-1	Lead	7.47		mg/kg dry	0.382	0.382	1	EPA 6010C Certifications: CTDOH,NELAC-NY10854,NJDEP,PADEP	10/24/2016 11:09	10/24/2016 21:38	KV
7439-95-4	Magnesium	1050		mg/kg dry	6.37	6.37	1	EPA 6010C Certifications: CTDOH,NELAC-NY10854,NJDEP,PADEP	10/24/2016 11:09	10/24/2016 21:38	KV
7439-96-5	Manganese	61.1		mg/kg dry	0.637	0.637	1	EPA 6010C Certifications: CTDOH,NELAC-NY10854,NJDEP,PADEP	10/24/2016 11:09	10/24/2016 21:38	KV
7440-02-0	Nickel	7.25		mg/kg dry	0.637	0.637	1	EPA 6010C Certifications: CTDOH,NELAC-NY10854,NJDEP,PADEP	10/24/2016 11:09	10/24/2016 21:38	KV
7440-09-7	Potassium	409		mg/kg dry	6.37	6.37	1	EPA 6010C Certifications: CTDOH,NELAC-NY10854,NJDEP,PADEP	10/24/2016 11:09	10/24/2016 21:38	KV
7782-49-2	Selenium	ND		mg/kg dry	1.27	1.27	1	EPA 6010C Certifications: CTDOH,NELAC-NY10854,NJDEP,PADEP	10/24/2016 11:09	10/24/2016 21:38	KV
7440-22-4	Silver	ND		mg/kg dry	0.637	0.637	1	EPA 6010C Certifications: CTDOH,NELAC-NY10854,NJDEP,PADEP	10/24/2016 11:09	10/24/2016 21:38	KV
7440-23-5	Sodium	165		mg/kg dry	12.7	12.7	1	EPA 6010C Certifications: CTDOH,NELAC-NY10854,NJDEP	10/24/2016 11:09	10/24/2016 21:38	KV
7440-28-0	Thallium	ND		mg/kg dry	1.27	1.27	1	EPA 6010C Certifications: CTDOH,NELAC-NY10854,NJDEP,PADEP	10/24/2016 11:09	10/24/2016 21:38	KV
7440-62-2	Vanadium	9.20		mg/kg dry	1.27	1.27	1	EPA 6010C Certifications: CTDOH,NELAC-NY10854,NJDEP,PADEP	10/24/2016 11:09	10/24/2016 21:38	KV
7440-66-6	Zinc	64.6		mg/kg dry	1.27	1.27	1	EPA 6010C Certifications: CTDOH,NELAC-NY10854,NJDEP,PADEP	10/24/2016 11:09	10/24/2016 21:38	KV

Mercury by 7473

Log-in Notes: VOA-CONT

Sample Notes:

Sample Prepared by Method: EPA 7473 soil

CAS No.	Parameter	Result	Flag	Units	LOD/MDL	Reported to LOQ	Dilution	Reference Method	Date/Time Prepared	Date/Time Analyzed	Analyst
7439-97-6	Mercury	ND		mg/kg dry	0.0382	0.0382	1	EPA 7473 Certifications: CTDOH,NJDEP,NELAC-NY10854,PADEP	10/24/2016 06:31	10/24/2016 14:34	KV

HAZ-232



Sample Information

Client Sample ID: SB-06-3.5-4.0' **York Sample ID:** 16J0783-10
York Project (SDG) No. 16J0783 **Client Project ID** 95th str sewer/water OEGS 15-008-0265 **Matrix** Soil **Collection Date/Time** October 20, 2016 12:15 pm **Date Received** 10/21/2016

Total Solids

Log-in Notes: VOA-CONT **Sample Notes:**

Sample Prepared by Method: % Solids Prep

CAS No.	Parameter	Result	Flag	Units	LOD/MDL	Reported to LOQ	Dilution	Reference Method	Date/Time Prepared	Date/Time Analyzed	Analyst
solids	* % Solids	78.4		%	0.100	0.100	1	SM 2540G Certifications: CTDOH	10/25/2016 08:57	10/25/2016 12:21	TJM

Sample Information

Client Sample ID: SB-06-COMP **York Sample ID:** 16J0783-11
York Project (SDG) No. 16J0783 **Client Project ID** 95th str sewer/water OEGS 15-008-0265 **Matrix** Soil **Collection Date/Time** October 20, 2016 12:20 pm **Date Received** 10/21/2016

Total Petroleum Hydrocarbons-DRO (C10-C28)

Log-in Notes: **Sample Notes:**

Sample Prepared by Method: EPA 3550C

CAS No.	Parameter	Result	Flag	Units	LOD/MDL	Reported to LOQ	Dilution	Reference Method	Date/Time Prepared	Date/Time Analyzed	Analyst
	Total Petroleum Hydrocarbons-DRO	19.7		mg/kg dry	3.95	11.6	1	EPA 8015D Certifications: NELAC-NY10854,NJDEP,PADEP	10/25/2016 14:10	10/26/2016 22:37	AMC
	Surrogate Recoveries	Result			Acceptance Range						
638-68-6	Surrogate: Triacontane	63.4 %			30-150						

Total Petroleum Hydrocarbons-GRO (C5-C10)

Log-in Notes: **Sample Notes:** VOA-CONT

Sample Prepared by Method: EPA 5035A

CAS No.	Parameter	Result	Flag	Units	LOD/MDL	Reported to LOQ	Dilution	Reference Method	Date/Time Prepared	Date/Time Analyzed	Analyst
	Total Petroleum Hydrocarbons-GRO	ND		mg/kg dry	46.5	92.9	100	EPA 8015D Certifications: NELAC-NY10854,NJDEP,PADEP	10/27/2016 12:16	10/27/2016 19:31	OW
	Surrogate Recoveries	Result			Acceptance Range						
460-00-4	Surrogate: p-Bromofluorobenzene	90.1 %			70-130						

Metals, TCLP RCRA

Log-in Notes: **Sample Notes:**

Sample Prepared by Method: EPA 3015A/1311

CAS No.	Parameter	Result	Flag	Units	LOD/MDL	Reported to LOQ	Dilution	Reference Method	Date/Time Prepared	Date/Time Analyzed	Analyst
7440-38-2	Arsenic	ND		mg/L	0.004	0.004	1	EPA 6010C/1311 Certifications: CTDOH,NELAC-NY10854,NJDEP,PADEP	10/25/2016 12:41	10/25/2016 20:46	KV
7440-39-3	Barium	0.121		mg/L	0.011	0.011	1	EPA 6010C/1311 Certifications: CTDOH,NELAC-NY10854,NJDEP,PADEP	10/25/2016 12:41	10/25/2016 20:46	KV
7440-43-9	Cadmium	ND		mg/L	0.003	0.003	1	EPA 6010C/1311 Certifications: CTDOH,NELAC-NY10854,NJDEP,PADEP	10/25/2016 12:41	10/25/2016 20:46	KV
7447-3	Chromium	ND		mg/L	0.006	0.006	1	EPA 6010C/1311 Certifications: CTDOH,NELAC-NY10854,NJDEP,PADEP	10/25/2016 12:41	10/25/2016 20:46	KV

HAZ-233



Sample Information

Client Sample ID: SB-06-COMP **York Sample ID:** 16J0783-11
York Project (SDG) No. 16J0783 **Client Project ID** 95th str sewer/water OEGS 15-008-0265 **Matrix** Soil **Collection Date/Time** October 20, 2016 12:20 pm **Date Received** 10/21/2016

Metals, TCLP RCRA

Log-in Notes:

Sample Notes:

Sample Prepared by Method: EPA 3015A/1311

CAS No.	Parameter	Result	Flag	Units	LOD/MDL	Reported to LOQ	Dilution	Reference Method	Date/Time Prepared	Date/Time Analyzed	Analyst
7439-92-1	Lead	0.005		mg/L	0.003	0.003	1	EPA 6010C/1311 Certifications: CTDOH,NELAC-NY10854,NJDEP,PADEP	10/25/2016 12:41	10/25/2016 20:46	KV
7782-49-2	Selenium	ND	M-SeT C	mg/L	0.011	0.011	1	EPA 6010C/1311 Certifications: CTDOH,NELAC-NY10854,NJDEP,PADEP	10/25/2016 12:41	10/25/2016 20:46	KV
7440-22-4	Silver	ND		mg/L	0.006	0.006	1	EPA 6010C/1311 Certifications: CTDOH,NELAC-NY10854,NJDEP,PADEP	10/25/2016 12:41	10/25/2016 20:46	KV

Mercury TCLP by 7473

Log-in Notes:

Sample Notes:

Sample Prepared by Method: EPA 7473 water

CAS No.	Parameter	Result	Flag	Units	LOD/MDL	Reported to LOQ	Dilution	Reference Method	Date/Time Prepared	Date/Time Analyzed	Analyst
7439-97-6	Mercury	ND		mg/L	0.0000390	0.000200	1	EPA 7473/1311 Certifications: CTDOH,NJDEP,PADEP,NELAC-NY10854	10/26/2016 06:18	10/26/2016 11:23	ALD

Ignitability

Log-in Notes:

Sample Notes:

Sample Prepared by Method: Analysis Preparation

CAS No.	Parameter	Result	Flag	Units	LOD/MDL	Reported to LOQ	Dilution	Reference Method	Date/Time Prepared	Date/Time Analyzed	Analyst
	* Ignitability	Non-Ignit.			1	1	1	EPA 1030P Certifications: CTDOH,PADEP	10/21/2016 23:59	10/22/2016 00:15	AA

Total Solids

Log-in Notes:

Sample Notes:

Sample Prepared by Method: % Solids Prep

CAS No.	Parameter	Result	Flag	Units	LOD/MDL	Reported to LOQ	Dilution	Reference Method	Date/Time Prepared	Date/Time Analyzed	Analyst
	* % Solids	86.1		%	0.100	0.100	1	SM 2540G Certifications: CTDOH	10/25/2016 08:57	10/25/2016 12:21	TJM

Corrosivity

Log-in Notes:

Sample Notes:

Sample Prepared by Method: Analysis Preparation

CAS No.	Parameter	Result	Flag	Units	LOD/MDL	Reported to LOQ	Dilution	Reference Method	Date/Time Prepared	Date/Time Analyzed	Analyst
	pH	6.94		HT-pH pH units		0.500	1	EPA 9045D Certifications: NELAC-NY10854,CTDOH,PADEP	10/25/2016 09:02	10/25/2016 16:12	DM1

Reactivity-Cyanide

Log-in Notes:

Sample Notes:

Sample Prepared by Method: Analysis Preparation

CAS No.	Parameter	Result	Flag	Units	LOD/MDL	Reported to LOQ	Dilution	Reference Method	Date/Time Prepared	Date/Time Analyzed	Analyst
	* Reactivity - Cyanide	ND		mg/kg	0.250	0.250	1	EPA SW-846 Ch.7.3.3 Certifications: CTDOH,PADEP	10/28/2016 15:05	10/28/2016 16:39	AD

Reactivity-Sulfide

Log-in Notes:

Sample Notes:

HAZ-234



Sample Information

Client Sample ID: SB-06-COMP

York Sample ID: 16J0783-11

York Project (SDG) No. 16J0783

Client Project ID 95th str sewer/water OEGS 15-008-0265

Matrix Soil

Collection Date/Time October 20, 2016 12:20 pm

Date Received 10/21/2016

Sample Prepared by Method: Analysis Preparation

Table with 12 columns: CAS No., Parameter, Result, Flag, Units, LOD/MDL, Reported to LOQ, Dilution, Reference Method, Date/Time Prepared, Date/Time Analyzed, Analyst. Row 1: * Reactivity - Sulfide, ND, mg/kg, 15.0, 15.0, 1, EPA SW-846 Ch.7.3.4, 10/28/2016 15:06, 10/28/2016 16:39, AD. Certifications: CTDOH,PADEP

TCLP Extraction for METALS EPA 1311

Log-in Notes:

Sample Notes:

Sample Prepared by Method: EPA SW 846-1311 TCLP ext. for metals

Table with 12 columns: CAS No., Parameter, Result, Flag, Units, LOD/MDL, Reported to LOQ, Dilution, Reference Method, Date/Time Prepared, Date/Time Analyzed, Analyst. Row 1: TCLP Extraction, Completed, N/A, 1.00, 1.00, 1, EPA 1311, 10/24/2016 18:13, 10/25/2016 13:49, TJM. Certifications: NELAC-NY10854,CTDOH,NJDEP,PADEP

Sample Information

Client Sample ID: SB-07-4.5-5.0'

York Sample ID: 16J0783-12

York Project (SDG) No. 16J0783

Client Project ID 95th str sewer/water OEGS 15-008-0265

Matrix Soil

Collection Date/Time October 20, 2016 1:15 pm

Date Received 10/21/2016

Volatile Organics, 8260 - Comprehensive

Log-in Notes: VOA-CONT

Sample Notes:

Sample Prepared by Method: EPA 5035A

Table with 12 columns: CAS No., Parameter, Result, Flag, Units, LOD/MDL, Reported to LOQ, Dilution, Reference Method, Date/Time Prepared, Date/Time Analyzed, Analyst. Rows include: 630-20-6 1,1,1,2-Tetrachloroethane, 71-55-6 1,1,1-Trichloroethane, 79-34-5 1,1,2,2-Tetrachloroethane, 76-13-1 1,1,2-Trichloro-1,2,2-trifluoroethane (Freon 113), 79-00-5 1,1,2-Trichloroethane, 75-34-3 1,1-Dichloroethane, 75-35-4 1,1-Dichloroethylene, 87-61-6 1,2,3-Trichlorobenzene, 96-18-4 1,2,3-Trichloropropane, 120-82-1 1,2,4-Trichlorobenzene, 106 1,2,4-Trimethylbenzene. All results are ND.

HAZ-235



Sample Information

Client Sample ID: SB-07-4.5-5.0'

York Sample ID: 16J0783-12

York Project (SDG) No.
16J0783

Client Project ID
95th str sewer/water OEGS 15-008-0265

Matrix
Soil

Collection Date/Time
October 20, 2016 1:15 pm

Date Received
10/21/2016

Volatiles Organics, 8260 - Comprehensive

Log-in Notes: VOA-CONT

Sample Notes:

Sample Prepared by Method: EPA 5035A

CAS No.	Parameter	Result	Flag	Units	Reported to LOD/MDL	LOQ	Dilution	Reference Method	Date/Time Prepared	Date/Time Analyzed	Analyst
96-12-8	1,2-Dibromo-3-chloropropane	ND		mg/kg dry	0.0028	0.0057	1	EPA 8260C Certifications: CTDOH,NELAC-NY10854,NJDEP	10/26/2016 15:30	10/27/2016 03:23	BK
106-93-4	1,2-Dibromoethane	ND		mg/kg dry	0.0028	0.0057	1	EPA 8260C Certifications: CTDOH,NELAC-NY10854,NJDEP	10/26/2016 15:30	10/27/2016 03:23	BK
95-50-1	1,2-Dichlorobenzene	ND		mg/kg dry	0.0028	0.0057	1	EPA 8260C Certifications: CTDOH,NELAC-NY10854,NJDEP,PADEP	10/26/2016 15:30	10/27/2016 03:23	BK
107-06-2	1,2-Dichloroethane	ND		mg/kg dry	0.0028	0.0057	1	EPA 8260C Certifications: CTDOH,NELAC-NY10854,NJDEP,PADEP	10/26/2016 15:30	10/27/2016 03:23	BK
78-87-5	1,2-Dichloropropane	ND		mg/kg dry	0.0028	0.0057	1	EPA 8260C Certifications: CTDOH,NELAC-NY10854,NJDEP	10/26/2016 15:30	10/27/2016 03:23	BK
108-67-8	1,3,5-Trimethylbenzene	ND		mg/kg dry	0.0028	0.0057	1	EPA 8260C Certifications: CTDOH,NELAC-NY10854,NJDEP	10/26/2016 15:30	10/27/2016 03:23	BK
541-73-1	1,3-Dichlorobenzene	ND		mg/kg dry	0.0028	0.0057	1	EPA 8260C Certifications: CTDOH,NELAC-NY10854,NJDEP,PADEP	10/26/2016 15:30	10/27/2016 03:23	BK
106-46-7	1,4-Dichlorobenzene	ND		mg/kg dry	0.0028	0.0057	1	EPA 8260C Certifications: CTDOH,NELAC-NY10854,NJDEP,PADEP	10/26/2016 15:30	10/27/2016 03:23	BK
123-91-1	1,4-Dioxane	ND		mg/kg dry	0.057	0.11	1	EPA 8260C Certifications: NELAC-NY10854,NJDEP	10/26/2016 15:30	10/27/2016 03:23	BK
78-93-3	2-Butanone	ND		mg/kg dry	0.0028	0.0057	1	EPA 8260C Certifications: CTDOH,NELAC-NY10854,NJDEP	10/26/2016 15:30	10/27/2016 03:23	BK
591-78-6	2-Hexanone	ND		mg/kg dry	0.0028	0.0057	1	EPA 8260C Certifications: CTDOH,NELAC-NY10854,NJDEP	10/26/2016 15:30	10/27/2016 03:23	BK
108-10-1	4-Methyl-2-pentanone	ND		mg/kg dry	0.0028	0.0057	1	EPA 8260C Certifications: CTDOH,NELAC-NY10854,NJDEP	10/26/2016 15:30	10/27/2016 03:23	BK
67-64-1	Acetone	ND		mg/kg dry	0.0057	0.011	1	EPA 8260C Certifications: CTDOH,NELAC-NY10854,NJDEP	10/26/2016 15:30	10/27/2016 03:23	BK
107-02-8	Acrolein	ND		mg/kg dry	0.0057	0.011	1	EPA 8260C Certifications: CTDOH,NELAC-NY10854,NJDEP	10/26/2016 15:30	10/27/2016 03:23	BK
107-13-1	Acrylonitrile	ND		mg/kg dry	0.0028	0.0057	1	EPA 8260C Certifications: CTDOH,NELAC-NY10854,NJDEP	10/26/2016 15:30	10/27/2016 03:23	BK
71-43-2	Benzene	ND		mg/kg dry	0.0028	0.0057	1	EPA 8260C Certifications: CTDOH,NELAC-NY10854,NJDEP,PADEP	10/26/2016 15:30	10/27/2016 03:23	BK
74-97-5	Bromochloromethane	ND		mg/kg dry	0.0028	0.0057	1	EPA 8260C Certifications: NELAC-NY10854,NJDEP	10/26/2016 15:30	10/27/2016 03:23	BK
75-27-4	Bromodichloromethane	ND		mg/kg dry	0.0028	0.0057	1	EPA 8260C Certifications: CTDOH,NELAC-NY10854,NJDEP,PADEP	10/26/2016 15:30	10/27/2016 03:23	BK
75-25-2	Bromoform	ND		mg/kg dry	0.0028	0.0057	1	EPA 8260C Certifications: CTDOH,NELAC-NY10854,NJDEP,PADEP	10/26/2016 15:30	10/27/2016 03:23	BK
74-83-9	Bromomethane	ND		mg/kg dry	0.0028	0.0057	1	EPA 8260C Certifications: CTDOH,NELAC-NY10854,NJDEP,PADEP	10/26/2016 15:30	10/27/2016 03:23	BK
75-15-0	Carbon disulfide	ND		mg/kg dry	0.0028	0.0057	1	EPA 8260C Certifications: CTDOH,NELAC-NY10854,NJDEP	10/26/2016 15:30	10/27/2016 03:23	BK
56-23-5	Carbon tetrachloride	ND		mg/kg dry	0.0028	0.0057	1	EPA 8260C Certifications: CTDOH,NELAC-NY10854,NJDEP,PADEP	10/26/2016 15:30	10/27/2016 03:23	BK

HAZ-236



Sample Information

Client Sample ID: SB-07-4.5-5.0'

York Sample ID: 16J0783-12

York Project (SDG) No.
16J0783

Client Project ID
95th str sewer/water OEGS 15-008-0265

Matrix
Soil

Collection Date/Time
October 20, 2016 1:15 pm

Date Received
10/21/2016

Volatiles Organics, 8260 - Comprehensive

Log-in Notes: VOA-CONT

Sample Notes:

Sample Prepared by Method: EPA 5035A

CAS No.	Parameter	Result	Flag	Units	Reported to LOD/MDL	LOQ	Dilution	Reference Method	Date/Time Prepared	Date/Time Analyzed	Analyst
108-90-7	Chlorobenzene	ND		mg/kg dry	0.0028	0.0057	1	EPA 8260C Certifications: CTDOH,NELAC-NY10854,NJDEP,PADEP	10/26/2016 15:30	10/27/2016 03:23	BK
75-00-3	Chloroethane	ND		mg/kg dry	0.0028	0.0057	1	EPA 8260C Certifications: CTDOH,NELAC-NY10854,NJDEP,PADEP	10/26/2016 15:30	10/27/2016 03:23	BK
67-66-3	Chloroform	ND		mg/kg dry	0.0028	0.0057	1	EPA 8260C Certifications: CTDOH,NELAC-NY10854,NJDEP,PADEP	10/26/2016 15:30	10/27/2016 03:23	BK
74-87-3	Chloromethane	ND		mg/kg dry	0.0028	0.0057	1	EPA 8260C Certifications: CTDOH,NELAC-NY10854,NJDEP,PADEP	10/26/2016 15:30	10/27/2016 03:23	BK
156-59-2	cis-1,2-Dichloroethylene	ND		mg/kg dry	0.0028	0.0057	1	EPA 8260C Certifications: CTDOH,NELAC-NY10854,NJDEP	10/26/2016 15:30	10/27/2016 03:23	BK
10061-01-5	cis-1,3-Dichloropropylene	ND		mg/kg dry	0.0028	0.0057	1	EPA 8260C Certifications: CTDOH,NELAC-NY10854,NJDEP,PADEP	10/26/2016 15:30	10/27/2016 03:23	BK
110-82-7	Cyclohexane	ND		mg/kg dry	0.0028	0.0057	1	EPA 8260C Certifications: NELAC-NY10854,NJDEP	10/26/2016 15:30	10/27/2016 03:23	BK
74-84-1	Dibromochloromethane	ND		mg/kg dry	0.0028	0.0057	1	EPA 8260C Certifications: NELAC-NY10854,NJDEP,PADEP	10/26/2016 15:30	10/27/2016 03:23	BK
74-95-3	Dibromomethane	ND		mg/kg dry	0.0028	0.0057	1	EPA 8260C Certifications: NELAC-NY10854,NJDEP	10/26/2016 15:30	10/27/2016 03:23	BK
75-71-8	Dichlorodifluoromethane	ND		mg/kg dry	0.0028	0.0057	1	EPA 8260C Certifications: NELAC-NY10854,NJDEP	10/26/2016 15:30	10/27/2016 03:23	BK
100-41-4	Ethyl Benzene	ND		mg/kg dry	0.0028	0.0057	1	EPA 8260C Certifications: CTDOH,NELAC-NY10854,NJDEP,PADEP	10/26/2016 15:30	10/27/2016 03:23	BK
87-68-3	Hexachlorobutadiene	ND		mg/kg dry	0.0028	0.0057	1	EPA 8260C Certifications: NELAC-NY10854,NJDEP	10/26/2016 15:30	10/27/2016 03:23	BK
98-82-8	Isopropylbenzene	ND		mg/kg dry	0.0028	0.0057	1	EPA 8260C Certifications: CTDOH,NELAC-NY10854,NJDEP	10/26/2016 15:30	10/27/2016 03:23	BK
79-20-9	Methyl acetate	ND		mg/kg dry	0.0028	0.0057	1	EPA 8260C Certifications: NELAC-NY10854,NJDEP	10/26/2016 15:30	10/27/2016 03:23	BK
1634-04-4	Methyl tert-butyl ether (MTBE)	ND		mg/kg dry	0.0028	0.0057	1	EPA 8260C Certifications: CTDOH,NELAC-NY10854,NJDEP	10/26/2016 15:30	10/27/2016 03:23	BK
108-87-2	Methylcyclohexane	ND		mg/kg dry	0.0028	0.0057	1	EPA 8260C Certifications: NELAC-NY10854,NJDEP	10/26/2016 15:30	10/27/2016 03:23	BK
75-09-2	Methylene chloride	ND		mg/kg dry	0.0057	0.011	1	EPA 8260C Certifications: CTDOH,NELAC-NY10854,NJDEP,PADEP	10/26/2016 15:30	10/27/2016 03:23	BK
104-51-8	n-Butylbenzene	ND		mg/kg dry	0.0028	0.0057	1	EPA 8260C Certifications: CTDOH,NELAC-NY10854,NJDEP	10/26/2016 15:30	10/27/2016 03:23	BK
103-65-1	n-Propylbenzene	ND		mg/kg dry	0.0028	0.0057	1	EPA 8260C Certifications: CTDOH,NELAC-NY10854,NJDEP	10/26/2016 15:30	10/27/2016 03:23	BK
95-47-6	o-Xylene	ND		mg/kg dry	0.0028	0.0057	1	EPA 8260C Certifications: CTDOH,NELAC-NY10854	10/26/2016 15:30	10/27/2016 03:23	BK
106-42-3	p- & m- Xylenes	ND		mg/kg dry	0.0057	0.011	1	EPA 8260C Certifications: CTDOH,NELAC-NY10854	10/26/2016 15:30	10/27/2016 03:23	BK
98-06-2	p-Isopropyltoluene	ND		mg/kg dry	0.0028	0.0057	1	EPA 8260C Certifications: CTDOH,NELAC-NY10854,NJDEP	10/26/2016 15:30	10/27/2016 03:23	BK



Sample Information

Client Sample ID: SB-07-4.5-5.0'

York Sample ID: 16J0783-12

York Project (SDG) No.
16J0783

Client Project ID
95th str sewer/water OEGS 15-008-0265

Matrix
Soil

Collection Date/Time
October 20, 2016 1:15 pm

Date Received
10/21/2016

Volatiles Organics, 8260 - Comprehensive

Log-in Notes: VOA-CONT Sample Notes:

Sample Prepared by Method: EPA 5035A

CAS No.	Parameter	Result	Flag	Units	Reported to LOD/MDL	LOQ	Dilution	Reference Method	Date/Time Prepared	Date/Time Analyzed	Analyst
135-98-8	sec-Butylbenzene	ND		mg/kg dry	0.0028	0.0057	1	EPA 8260C Certifications: CTDOH,NELAC-NY10854,NJDEP	10/26/2016 15:30	10/27/2016 03:23	BK
100-42-5	Styrene	ND		mg/kg dry	0.0028	0.0057	1	EPA 8260C Certifications: CTDOH,NELAC-NY10854,NJDEP	10/26/2016 15:30	10/27/2016 03:23	BK
75-65-0	tert-Butyl alcohol (TBA)	ND		mg/kg dry	0.0028	0.0057	1	EPA 8260C Certifications: NELAC-NY10854,NJDEP	10/26/2016 15:30	10/27/2016 03:23	BK
98-06-6	tert-Butylbenzene	ND		mg/kg dry	0.0028	0.0057	1	EPA 8260C Certifications: CTDOH,NELAC-NY10854,NJDEP	10/26/2016 15:30	10/27/2016 03:23	BK
127-18-4	Tetrachloroethylene	ND		mg/kg dry	0.0028	0.0057	1	EPA 8260C Certifications: CTDOH,NELAC-NY10854,NJDEP,PADEP	10/26/2016 15:30	10/27/2016 03:23	BK
108-88-3	Toluene	ND		mg/kg dry	0.0028	0.0057	1	EPA 8260C Certifications: CTDOH,NELAC-NY10854,NJDEP,PADEP	10/26/2016 15:30	10/27/2016 03:23	BK
156-60-5	trans-1,2-Dichloroethylene	ND		mg/kg dry	0.0028	0.0057	1	EPA 8260C Certifications: CTDOH,NELAC-NY10854,NJDEP	10/26/2016 15:30	10/27/2016 03:23	BK
10061-02-6	trans-1,3-Dichloropropylene	ND		mg/kg dry	0.0028	0.0057	1	EPA 8260C Certifications: CTDOH,NELAC-NY10854,NJDEP,PADEP	10/26/2016 15:30	10/27/2016 03:23	BK
79-01-6	Trichloroethylene	ND		mg/kg dry	0.0028	0.0057	1	EPA 8260C Certifications: CTDOH,NELAC-NY10854,NJDEP,PADEP	10/26/2016 15:30	10/27/2016 03:23	BK
75-69-4	Trichlorofluoromethane	ND		mg/kg dry	0.0028	0.0057	1	EPA 8260C Certifications: CTDOH,NELAC-NY10854,NJDEP,PADEP	10/26/2016 15:30	10/27/2016 03:23	BK
75-01-4	Vinyl Chloride	ND		mg/kg dry	0.0028	0.0057	1	EPA 8260C Certifications: CTDOH,NELAC-NY10854,NJDEP,PADEP	10/26/2016 15:30	10/27/2016 03:23	BK
1330-20-7	Xylenes, Total	ND		mg/kg dry	0.0085	0.017	1	EPA 8260C Certifications: CTDOH,NELAC-NY10854,NJDEP,PADEP	10/26/2016 15:30	10/27/2016 03:23	BK
Surrogate Recoveries		Result			Acceptance Range						
17060-07-0	Surrogate: 1,2-Dichloroethane-d4	102 %			77-125						
2037-26-5	Surrogate: Toluene-d8	99.9 %			85-120						
460-00-4	Surrogate: p-Bromofluorobenzene	87.6 %			76-130						

Semi-Volatiles, 8270 - Comprehensive

Log-in Notes: VOA-CONT Sample Notes:

Sample Prepared by Method: EPA 3550C

CAS No.	Parameter	Result	Flag	Units	Reported to LOD/MDL	LOQ	Dilution	Reference Method	Date/Time Prepared	Date/Time Analyzed	Analyst
92-52-4	1,1'-Biphenyl	ND		mg/kg dry	0.0475	0.0947	2	EPA 8270D Certifications: NELAC-NY10854,NJDEP,PADEP	10/25/2016 14:08	10/26/2016 13:32	KH
95-94-3	1,2,4,5-Tetrachlorobenzene	ND		mg/kg dry	0.0947	0.189	2	EPA 8270D Certifications: NELAC-NY10854,NJDEP,PADEP	10/25/2016 14:08	10/26/2016 13:32	KH
120-82-1	1,2,4-Trichlorobenzene	ND		mg/kg dry	0.0475	0.0947	2	EPA 8270D Certifications: CTDOH,NELAC-NY10854,NJDEP,PADEP	10/25/2016 14:08	10/26/2016 13:32	KH
95-50-1	1,2-Dichlorobenzene	ND		mg/kg dry	0.0475	0.0947	2	EPA 8270D Certifications: NELAC-NY10854,PADEP	10/25/2016 14:08	10/26/2016 13:32	KJ
122-66-7	1,2-Diphenylhydrazine (as Azobenzene)	ND		mg/kg dry	0.0475	0.0947	2	EPA 8270D Certifications: NELAC-NY10854,NJDEP,PADEP	10/25/2016 14:08	10/26/2016 13:32	KH

120 RESEARCH DRIVE

STRATFORD, CT 06615

(203) 325-1371

FAX (203) 357-0166

HAZ-238



Sample Information

Client Sample ID: SB-07-4.5-5.0'

York Sample ID: 16J0783-12

York Project (SDG) No.
16J0783

Client Project ID
95th str sewer/water OEGS 15-008-0265

Matrix
Soil

Collection Date/Time
October 20, 2016 1:15 pm

Date Received
10/21/2016

Semi-Volatiles, 8270 - Comprehensive

Log-in Notes: VOA-CONT Sample Notes:

Sample Prepared by Method: EPA 3550C

CAS No.	Parameter	Result	Flag	Units	Reported to LOD/MDL	LOQ	Dilution	Reference Method	Date/Time Prepared	Date/Time Analyzed	Analyst
541-73-1	1,3-Dichlorobenzene	ND		mg/kg dry	0.0475	0.0947	2	EPA 8270D Certifications: NELAC-NY10854,PADEP	10/25/2016 14:08	10/26/2016 13:32	KH
106-46-7	1,4-Dichlorobenzene	ND		mg/kg dry	0.0475	0.0947	2	EPA 8270D Certifications: NELAC-NY10854,PADEP	10/25/2016 14:08	10/26/2016 13:32	KH
58-90-2	2,3,4,6-Tetrachlorophenol	ND		mg/kg dry	0.0947	0.189	2	EPA 8270D Certifications: NELAC-NY10854,NJDEP,PADEP	10/25/2016 14:08	10/26/2016 13:32	KH
95-95-4	2,4,5-Trichlorophenol	ND		mg/kg dry	0.0475	0.0947	2	EPA 8270D Certifications: CTDOH,NELAC-NY10854,NJDEP,PADEP	10/25/2016 14:08	10/26/2016 13:32	KH
88-06-2	2,4,6-Trichlorophenol	ND		mg/kg dry	0.0475	0.0947	2	EPA 8270D Certifications: CTDOH,NELAC-NY10854,NJDEP,PADEP	10/25/2016 14:08	10/26/2016 13:32	KH
120-83-2	2,4-Dichlorophenol	ND		mg/kg dry	0.0475	0.0947	2	EPA 8270D Certifications: CTDOH,NELAC-NY10854,NJDEP,PADEP	10/25/2016 14:08	10/26/2016 13:32	KH
105-67-9	2,4-Dimethylphenol	ND		mg/kg dry	0.0475	0.0947	2	EPA 8270D Certifications: CTDOH,NELAC-NY10854,NJDEP,PADEP	10/25/2016 14:08	10/26/2016 13:32	KH
28-5	2,4-Dinitrophenol	ND		mg/kg dry	0.0947	0.189	2	EPA 8270D Certifications: CTDOH,NELAC-NY10854,NJDEP,PADEP	10/25/2016 14:08	10/26/2016 13:32	KH
121-14-2	2,4-Dinitrotoluene	ND		mg/kg dry	0.0475	0.0947	2	EPA 8270D Certifications: CTDOH,NELAC-NY10854,NJDEP,PADEP	10/25/2016 14:08	10/26/2016 13:32	KH
606-20-2	2,6-Dinitrotoluene	ND		mg/kg dry	0.0475	0.0947	2	EPA 8270D Certifications: CTDOH,NELAC-NY10854,NJDEP,PADEP	10/25/2016 14:08	10/26/2016 13:32	KH
91-58-7	2-Chloronaphthalene	ND		mg/kg dry	0.0475	0.0947	2	EPA 8270D Certifications: CTDOH,NELAC-NY10854,NJDEP,PADEP	10/25/2016 14:08	10/26/2016 13:32	KH
95-57-8	2-Chlorophenol	ND		mg/kg dry	0.0475	0.0947	2	EPA 8270D Certifications: CTDOH,NELAC-NY10854,NJDEP,PADEP	10/25/2016 14:08	10/26/2016 13:32	KH
91-57-6	2-Methylnaphthalene	ND		mg/kg dry	0.0475	0.0947	2	EPA 8270D Certifications: CTDOH,NELAC-NY10854,NJDEP,PADEP	10/25/2016 14:08	10/26/2016 13:32	KH
95-48-7	2-Methylphenol	ND		mg/kg dry	0.0475	0.0947	2	EPA 8270D Certifications: CTDOH,NELAC-NY10854,NJDEP,PADEP	10/25/2016 14:08	10/26/2016 13:32	KH
88-74-4	2-Nitroaniline	ND		mg/kg dry	0.0947	0.189	2	EPA 8270D Certifications: CTDOH,NELAC-NY10854,NJDEP,PADEP	10/25/2016 14:08	10/26/2016 13:32	KH
88-75-5	2-Nitrophenol	ND		mg/kg dry	0.0475	0.0947	2	EPA 8270D Certifications: CTDOH,NELAC-NY10854,NJDEP,PADEP	10/25/2016 14:08	10/26/2016 13:32	KH
65794-96-9	3- & 4-Methylphenols	ND		mg/kg dry	0.0475	0.0947	2	EPA 8270D Certifications: CTDOH,NELAC-NY10854,NJDEP,PADEP	10/25/2016 14:08	10/26/2016 13:32	KH
91-94-1	3,3'-Dichlorobenzidine	ND		mg/kg dry	0.0475	0.0947	2	EPA 8270D Certifications: NELAC-NY10854,NJDEP,PADEP	10/25/2016 14:08	10/26/2016 13:32	KH
99-09-2	3-Nitroaniline	ND		mg/kg dry	0.0947	0.189	2	EPA 8270D Certifications: CTDOH,NELAC-NY10854,NJDEP,PADEP	10/25/2016 14:08	10/26/2016 13:32	KH
534-52-1	4,6-Dinitro-2-methylphenol	ND		mg/kg dry	0.0947	0.189	2	EPA 8270D Certifications: CTDOH,NELAC-NY10854,NJDEP,PADEP	10/25/2016 14:08	10/26/2016 13:32	KH
101-55-3	4-Bromophenyl phenyl ether	ND		mg/kg dry	0.0475	0.0947	2	EPA 8270D Certifications: CTDOH,NELAC-NY10854,NJDEP,PADEP	10/25/2016 14:08	10/26/2016 13:32	KH
100-50-7	4-Chloro-3-methylphenol	ND		mg/kg dry	0.0475	0.0947	2	EPA 8270D Certifications: CTDOH,NELAC-NY10854,NJDEP,PADEP	10/25/2016 14:08	10/26/2016 13:32	KH



Sample Information

Client Sample ID: SB-07-4.5-5.0'

York Sample ID: 16J0783-12

York Project (SDG) No.
16J0783

Client Project ID
95th str sewer/water OEGS 15-008-0265

Matrix
Soil

Collection Date/Time
October 20, 2016 1:15 pm

Date Received
10/21/2016

Semi-Volatiles, 8270 - Comprehensive

Log-in Notes: VOA-CONT Sample Notes:

Sample Prepared by Method: EPA 3550C

CAS No.	Parameter	Result	Flag	Units	Reported to LOD/MDL	LOQ	Dilution	Reference Method	Date/Time Prepared	Date/Time Analyzed	Analyst
106-47-8	4-Chloroaniline	ND		mg/kg dry	0.0475	0.0947	2	EPA 8270D Certifications: CTDOH,NELAC-NY10854,NJDEP,PADEP	10/25/2016 14:08	10/26/2016 13:32	KH
7005-72-3	4-Chlorophenyl phenyl ether	ND		mg/kg dry	0.0475	0.0947	2	EPA 8270D Certifications: CTDOH,NELAC-NY10854,NJDEP,PADEP	10/25/2016 14:08	10/26/2016 13:32	KH
100-01-6	4-Nitroaniline	ND		mg/kg dry	0.0947	0.189	2	EPA 8270D Certifications: CTDOH,NELAC-NY10854,NJDEP,PADEP	10/25/2016 14:08	10/26/2016 13:32	KH
100-02-7	4-Nitrophenol	ND		mg/kg dry	0.0947	0.189	2	EPA 8270D Certifications: CTDOH,NELAC-NY10854,NJDEP,PADEP	10/25/2016 14:08	10/26/2016 13:32	KH
83-32-9	Acenaphthene	ND		mg/kg dry	0.0475	0.0947	2	EPA 8270D Certifications: CTDOH,NELAC-NY10854,NJDEP,PADEP	10/25/2016 14:08	10/26/2016 13:32	KH
208-96-8	Acenaphthylene	ND		mg/kg dry	0.0475	0.0947	2	EPA 8270D Certifications: CTDOH,NELAC-NY10854,NJDEP,PADEP	10/25/2016 14:08	10/26/2016 13:32	KH
98-86-2	Acetophenone	ND		mg/kg dry	0.0475	0.0947	2	EPA 8270D Certifications: NELAC-NY10854,NJDEP,PADEP	10/25/2016 14:08	10/26/2016 13:32	KH
62-53-3	Aniline	ND		mg/kg dry	0.190	0.379	2	EPA 8270D Certifications: NELAC-NY10854,NJDEP,PADEP	10/25/2016 14:08	10/26/2016 13:32	KH
120-12-7	Anthracene	ND		mg/kg dry	0.0475	0.0947	2	EPA 8270D Certifications: CTDOH,NELAC-NY10854,NJDEP,PADEP	10/25/2016 14:08	10/26/2016 13:32	KH
1912-24-9	Atrazine	ND		mg/kg dry	0.0475	0.0947	2	EPA 8270D Certifications: NELAC-NY10854,NJDEP,PADEP	10/25/2016 14:08	10/26/2016 13:32	KH
100-52-7	Benzaldehyde	ND		mg/kg dry	0.0475	0.0947	2	EPA 8270D Certifications: NELAC-NY10854,NJDEP,PADEP	10/25/2016 14:08	10/26/2016 13:32	KH
92-87-5	Benzidine	ND		mg/kg dry	0.190	0.379	2	EPA 8270D Certifications: CTDOH,NELAC-NY10854,PADEP	10/25/2016 14:08	10/26/2016 13:32	KH
56-55-3	Benzo(a)anthracene	ND		mg/kg dry	0.0475	0.0947	2	EPA 8270D Certifications: CTDOH,NELAC-NY10854,NJDEP,PADEP	10/25/2016 14:08	10/26/2016 13:32	KH
50-32-8	Benzo(a)pyrene	ND		mg/kg dry	0.0475	0.0947	2	EPA 8270D Certifications: CTDOH,NELAC-NY10854,NJDEP,PADEP	10/25/2016 14:08	10/26/2016 13:32	KH
205-99-2	Benzo(b)fluoranthene	ND		mg/kg dry	0.0475	0.0947	2	EPA 8270D Certifications: CTDOH,NELAC-NY10854,NJDEP,PADEP	10/25/2016 14:08	10/26/2016 13:32	KH
191-24-2	Benzo(g,h,i)perylene	ND		mg/kg dry	0.0475	0.0947	2	EPA 8270D Certifications: CTDOH,NELAC-NY10854,NJDEP,PADEP	10/25/2016 14:08	10/26/2016 13:32	KH
207-08-9	Benzo(k)fluoranthene	ND		mg/kg dry	0.0475	0.0947	2	EPA 8270D Certifications: CTDOH,NELAC-NY10854,NJDEP,PADEP	10/25/2016 14:08	10/26/2016 13:32	KH
65-85-0	Benzoic acid	ND		mg/kg dry	0.0475	0.0947	2	EPA 8270D Certifications: NELAC-NY10854,NJDEP,PADEP	10/25/2016 14:08	10/26/2016 13:32	KH
100-51-6	Benzyl alcohol	ND		mg/kg dry	0.0475	0.0947	2	EPA 8270D Certifications: NELAC-NY10854,NJDEP,PADEP	10/25/2016 14:08	10/26/2016 13:32	KH
85-68-7	Benzyl butyl phthalate	ND		mg/kg dry	0.0475	0.0947	2	EPA 8270D Certifications: CTDOH,NELAC-NY10854,NJDEP,PADEP	10/25/2016 14:08	10/26/2016 13:32	KH
111-91-1	Bis(2-chloroethoxy)methane	ND		mg/kg dry	0.0475	0.0947	2	EPA 8270D Certifications: CTDOH,NELAC-NY10854,NJDEP,PADEP	10/25/2016 14:08	10/26/2016 13:32	KH
111-44-4	Bis(2-chloroethyl)ether	ND		mg/kg dry	0.0475	0.0947	2	EPA 8270D Certifications: CTDOH,NELAC-NY10854,NJDEP,PADEP	10/25/2016 14:08	10/26/2016 13:32	KH

HAZ-240



Sample Information

Client Sample ID: SB-07-4.5-5.0'

York Sample ID: 16J0783-12

York Project (SDG) No.
16J0783

Client Project ID
95th str sewer/water OEGS 15-008-0265

Matrix
Soil

Collection Date/Time
October 20, 2016 1:15 pm

Date Received
10/21/2016

Semi-Volatiles, 8270 - Comprehensive

Log-in Notes: VOA-CONT Sample Notes:

Sample Prepared by Method: EPA 3550C

CAS No.	Parameter	Result	Flag	Units	Reported to LOD/MDL	LOQ	Dilution	Reference Method	Date/Time Prepared	Date/Time Analyzed	Analyst
108-60-1	Bis(2-chloroisopropyl)ether	ND		mg/kg dry	0.0475	0.0947	2	EPA 8270D Certifications: CTDOH,NELAC-NY10854,NJDEP,PADEP	10/25/2016 14:08	10/26/2016 13:32	KH
117-81-7	Bis(2-ethylhexyl)phthalate	ND		mg/kg dry	0.0475	0.0947	2	EPA 8270D Certifications: CTDOH,NELAC-NY10854,NJDEP,PADEP	10/25/2016 14:08	10/26/2016 13:32	KH
105-60-2	Caprolactam	ND		mg/kg dry	0.0947	0.189	2	EPA 8270D Certifications: NELAC-NY10854,NJDEP,PADEP	10/25/2016 14:08	10/26/2016 13:32	KH
86-74-8	Carbazole	ND		mg/kg dry	0.0475	0.0947	2	EPA 8270D Certifications: CTDOH,NELAC-NY10854,NJDEP,PADEP	10/25/2016 14:08	10/26/2016 13:32	KH
218-01-9	Chrysene	ND		mg/kg dry	0.0475	0.0947	2	EPA 8270D Certifications: CTDOH,NELAC-NY10854,NJDEP,PADEP	10/25/2016 14:08	10/26/2016 13:32	KH
53-70-3	Dibenzo(a,h)anthracene	ND		mg/kg dry	0.0475	0.0947	2	EPA 8270D Certifications: CTDOH,NELAC-NY10854,NJDEP,PADEP	10/25/2016 14:08	10/26/2016 13:32	KH
132-64-9	Dibenzofuran	ND		mg/kg dry	0.0475	0.0947	2	EPA 8270D Certifications: CTDOH,NELAC-NY10854,NJDEP,PADEP	10/25/2016 14:08	10/26/2016 13:32	KH
106-2	Diethyl phthalate	ND		mg/kg dry	0.0475	0.0947	2	EPA 8270D Certifications: CTDOH,NELAC-NY10854,NJDEP,PADEP	10/25/2016 14:08	10/26/2016 13:32	KH
131-11-3	Dimethyl phthalate	ND		mg/kg dry	0.0475	0.0947	2	EPA 8270D Certifications: CTDOH,NELAC-NY10854,NJDEP,PADEP	10/25/2016 14:08	10/26/2016 13:32	KH
84-74-2	Di-n-butyl phthalate	ND		mg/kg dry	0.0475	0.0947	2	EPA 8270D Certifications: CTDOH,NELAC-NY10854,NJDEP,PADEP	10/25/2016 14:08	10/26/2016 13:32	KH
117-84-0	Di-n-octyl phthalate	ND		mg/kg dry	0.0475	0.0947	2	EPA 8270D Certifications: CTDOH,NELAC-NY10854,NJDEP,PADEP	10/25/2016 14:08	10/26/2016 13:32	KH
206-44-0	Fluoranthene	ND		mg/kg dry	0.0475	0.0947	2	EPA 8270D Certifications: CTDOH,NELAC-NY10854,NJDEP,PADEP	10/25/2016 14:08	10/26/2016 13:32	KH
86-73-7	Fluorene	ND		mg/kg dry	0.0475	0.0947	2	EPA 8270D Certifications: NELAC-NY10854,NJDEP,PADEP	10/25/2016 14:08	10/26/2016 13:32	KH
118-74-1	Hexachlorobenzene	ND		mg/kg dry	0.0475	0.0947	2	EPA 8270D Certifications: CTDOH,NELAC-NY10854,NJDEP,PADEP	10/25/2016 14:08	10/26/2016 13:32	KH
87-68-3	Hexachlorobutadiene	ND		mg/kg dry	0.0475	0.0947	2	EPA 8270D Certifications: CTDOH,NELAC-NY10854,NJDEP,PADEP	10/25/2016 14:08	10/26/2016 13:32	KH
77-47-4	Hexachlorocyclopentadiene	ND		mg/kg dry	0.0475	0.0947	2	EPA 8270D Certifications: CTDOH,NELAC-NY10854,NJDEP,PADEP	10/25/2016 14:08	10/26/2016 13:32	KH
67-72-1	Hexachloroethane	ND		mg/kg dry	0.0475	0.0947	2	EPA 8270D Certifications: CTDOH,NELAC-NY10854,NJDEP,PADEP	10/25/2016 14:08	10/26/2016 13:32	KH
193-39-5	Indeno(1,2,3-cd)pyrene	ND		mg/kg dry	0.0475	0.0947	2	EPA 8270D Certifications: CTDOH,NELAC-NY10854,NJDEP,PADEP	10/25/2016 14:08	10/26/2016 13:32	KH
78-59-1	Isophorone	ND		mg/kg dry	0.0475	0.0947	2	EPA 8270D Certifications: CTDOH,NELAC-NY10854,NJDEP,PADEP	10/25/2016 14:08	10/26/2016 13:32	KH
91-20-3	Naphthalene	ND		mg/kg dry	0.0475	0.0947	2	EPA 8270D Certifications: CTDOH,NELAC-NY10854,NJDEP,PADEP	10/25/2016 14:08	10/26/2016 13:32	KH
99-95-3	Nitrobenzene	ND		mg/kg dry	0.0475	0.0947	2	EPA 8270D Certifications: CTDOH,NELAC-NY10854,NJDEP,PADEP	10/25/2016 14:08	10/26/2016 13:32	KH
100-75-9	N-Nitrosodimethylamine	ND		mg/kg dry	0.0475	0.0947	2	EPA 8270D Certifications: CTDOH,NELAC-NY10854,NJDEP,PADEP	10/25/2016 14:08	10/26/2016 13:32	KH

HAZ-241



Sample Information

Client Sample ID: SB-07-4.5-5.0'

York Sample ID: 16J0783-12

York Project (SDG) No. 16J0783

Client Project ID 95th str sewer/water OEGS 15-008-0265

Matrix Soil

Collection Date/Time October 20, 2016 1:15 pm

Date Received 10/21/2016

Semi-Volatiles, 8270 - Comprehensive

Log-in Notes: VOA-CONT Sample Notes:

Sample Prepared by Method: EPA 3550C

Table with columns: CAS No., Parameter, Result, Flag, Units, Reported to LOD/MDL, LOQ, Dilution, Reference Method, Date/Time Prepared, Date/Time Analyzed, Analyst. Includes rows for various compounds like N-nitroso-di-n-propylamine, N-Nitrosodiphenylamine, Pentachlorophenol, Phenanthrene, Phenol, Pyrene, and Surrogate Recoveries.

Pesticides, 8081 target list

Log-in Notes: VOA-CONT Sample Notes:

Sample Prepared by Method: EPA 3550C

Table with columns: CAS No., Parameter, Result, Flag, Units, Reported to LOD/MDL, LOQ, Dilution, Reference Method, Date/Time Prepared, Date/Time Analyzed, Analyst. Includes rows for pesticides like 4,4'-DDD, 4,4'-DDE, 4,4'-DDT, Aldrin, alpha-BHC, alpha-Chlordane, beta-BHC, Chlordane, total, and delta-BHC.

HAZ-242



Sample Information

Client Sample ID: SB-07-4.5-5.0'

York Sample ID: 16J0783-12

York Project (SDG) No.
16J0783

Client Project ID
95th str sewer/water OECS 15-008-0265

Matrix
Soil

Collection Date/Time
October 20, 2016 1:15 pm

Date Received
10/21/2016

Pesticides, 8081 target list

Log-in Notes: VOA-CONT Sample Notes:

Sample Prepared by Method: EPA 3550C

CAS No.	Parameter	Result	Flag	Units	LOD/MDL	Reported to LOQ	Dilution	Reference Method	Date/Time Prepared	Date/Time Analyzed	Analyst
60-57-1	Dieldrin	ND		mg/kg dry	0.00187	0.00187	5	EPA 8081B Certifications: CTDOH,NELAC-NY10854,NJDEP,PADEP	10/26/2016 12:50	10/27/2016 17:38	AMC
959-98-8	Endosulfan I	ND		mg/kg dry	0.00187	0.00187	5	EPA 8081B Certifications: CTDOH,NELAC-NY10854,NJDEP,PADEP	10/26/2016 12:50	10/27/2016 17:38	AMC
33213-65-9	Endosulfan II	ND		mg/kg dry	0.00187	0.00187	5	EPA 8081B Certifications: CTDOH,NELAC-NY10854,NJDEP,PADEP	10/26/2016 12:50	10/27/2016 17:38	AMC
1031-07-8	Endosulfan sulfate	ND		mg/kg dry	0.00187	0.00187	5	EPA 8081B Certifications: CTDOH,NELAC-NY10854,NJDEP,PADEP	10/26/2016 12:50	10/27/2016 17:38	AMC
72-20-8	Endrin	ND		mg/kg dry	0.00187	0.00187	5	EPA 8081B Certifications: CTDOH,NELAC-NY10854,NJDEP,PADEP	10/26/2016 12:50	10/27/2016 17:38	AMC
7421-93-4	Endrin aldehyde	ND		mg/kg dry	0.00187	0.00187	5	EPA 8081B Certifications: CTDOH,NELAC-NY10854,NJDEP,PADEP	10/26/2016 12:50	10/27/2016 17:38	AMC
53494-70-5	Endrin ketone	ND		mg/kg dry	0.00187	0.00187	5	EPA 8081B Certifications: CTDOH,NELAC-NY10854,NJDEP,PADEP	10/26/2016 12:50	10/27/2016 17:38	AMC
9-9	gamma-BHC (Lindane)	ND		mg/kg dry	0.00187	0.00187	5	EPA 8081B Certifications: CTDOH,NELAC-NY10854,NJDEP,PADEP	10/26/2016 12:50	10/27/2016 17:38	AMC
5566-34-7	gamma-Chlordane	ND		mg/kg dry	0.00187	0.00187	5	EPA 8081B Certifications: NELAC-NY10854,NJDEP	10/26/2016 12:50	10/27/2016 17:38	AMC
76-44-8	Heptachlor	ND		mg/kg dry	0.00187	0.00187	5	EPA 8081B Certifications: CTDOH,NELAC-NY10854,NJDEP,PADEP	10/26/2016 12:50	10/27/2016 17:38	AMC
1024-57-3	Heptachlor epoxide	ND		mg/kg dry	0.00187	0.00187	5	EPA 8081B Certifications: CTDOH,NELAC-NY10854,NJDEP,PADEP	10/26/2016 12:50	10/27/2016 17:38	AMC
72-43-5	Methoxychlor	ND		mg/kg dry	0.00937	0.00937	5	EPA 8081B Certifications: CTDOH,NELAC-NY10854,NJDEP,PADEP	10/26/2016 12:50	10/27/2016 17:38	AMC
8001-35-2	Toxaphene	ND		mg/kg dry	0.0948	0.0948	5	EPA 8081B Certifications: CTDOH,NELAC-NY10854,NJDEP,PADEP	10/26/2016 12:50	10/27/2016 17:38	AMC
Surrogate Recoveries		Result	Acceptance Range								
2051-24-3	Surrogate: Decachlorobiphenyl	130 %	30-150								
877-09-8	Surrogate: Tetrachloro-m-xylene	113 %	30-150								

Polychlorinated Biphenyls (PCB)

Log-in Notes: VOA-CONT Sample Notes:

Sample Prepared by Method: EPA 3550C

CAS No.	Parameter	Result	Flag	Units	LOD/MDL	Reported to LOQ	Dilution	Reference Method	Date/Time Prepared	Date/Time Analyzed	Analyst
12674-11-2	Aroclor 1016	ND		mg/kg dry	0.0189	0.0189	1	EPA 8082A Certifications: NELAC-NY10854,CTDOH,NJDEP,PADEP	10/25/2016 07:10	10/25/2016 22:57	AMC
11104-28-2	Aroclor 1221	ND		mg/kg dry	0.0189	0.0189	1	EPA 8082A Certifications: NELAC-NY10854,CTDOH,NJDEP,PADEP	10/25/2016 07:10	10/25/2016 22:57	AMC
11141-16-5	Aroclor 1232	ND		mg/kg dry	0.0189	0.0189	1	EPA 8082A Certifications: NELAC-NY10854,CTDOH,NJDEP,PADEP	10/25/2016 07:10	10/25/2016 22:57	AMC
21-9	Aroclor 1242	ND		mg/kg dry	0.0189	0.0189	1	EPA 8082A Certifications: NELAC-NY10854,CTDOH,NJDEP,PADEP	10/25/2016 07:10	10/25/2016 22:57	AMC

HAZ-243



Sample Information

Client Sample ID: SB-07-4.5-5.0'

York Sample ID: 16J0783-12

York Project (SDG) No.
16J0783

Client Project ID
95th str sewer/water OEGS 15-008-0265

Matrix
Soil

Collection Date/Time
October 20, 2016 1:15 pm

Date Received
10/21/2016

Polychlorinated Biphenyls (PCB)

Log-in Notes: VOA-CONT

Sample Notes:

Sample Prepared by Method: EPA 3550C

CAS No.	Parameter	Result	Flag	Units	LOD/MDL	Reported to LOQ	Dilution	Reference Method	Date/Time Prepared	Date/Time Analyzed	Analyst
12672-29-6	Aroclor 1248	ND		mg/kg dry	0.0189	0.0189	1	EPA 8082A Certifications: NELAC-NY10854,CTDOH,NJDEP,PADEP	10/25/2016 07:10	10/25/2016 22:57	AMC
11097-69-1	Aroclor 1254	ND		mg/kg dry	0.0189	0.0189	1	EPA 8082A Certifications: NELAC-NY10854,CTDOH,NJDEP,PADEP	10/25/2016 07:10	10/25/2016 22:57	AMC
11096-82-5	Aroclor 1260	ND		mg/kg dry	0.0189	0.0189	1	EPA 8082A Certifications: NELAC-NY10854,CTDOH,NJDEP,PADEP	10/25/2016 07:10	10/25/2016 22:57	AMC
1336-36-3	* Total PCBs	ND		mg/kg dry	0.0189	0.0189	1	EPA 8082A Certifications:	10/25/2016 07:10	10/25/2016 22:57	AMC
Surrogate Recoveries		Result	Acceptance Range								
877-09-8	Surrogate: Tetrachloro-m-xylene	100 %	30-140								
2051-24-3	Surrogate: Decachlorobiphenyl	67.5 %	30-140								

Metals, Target Analyte

Log-in Notes: VOA-CONT

Sample Notes:

Sample Prepared by Method: EPA 3050B

CAS No.	Parameter	Result	Flag	Units	LOD/MDL	Reported to LOQ	Dilution	Reference Method	Date/Time Prepared	Date/Time Analyzed	Analyst
7429-90-5	Aluminum	2170		mg/kg dry	5.68	5.68	1	EPA 6010C Certifications: CTDOH,NELAC-NY10854,NJDEP,PADEP	10/24/2016 11:09	10/24/2016 21:43	KV
7440-36-0	Antimony	ND		mg/kg dry	0.568	0.568	1	EPA 6010C Certifications: CTDOH,NELAC-NY10854,NJDEP,PADEP	10/24/2016 11:09	10/24/2016 21:43	KV
7440-38-2	Arsenic	1.68		mg/kg dry	1.14	1.14	1	EPA 6010C Certifications: CTDOH,NELAC-NY10854,NJDEP,PADEP	10/24/2016 11:09	10/24/2016 21:43	KV
7440-39-3	Barium	8.91		mg/kg dry	1.14	1.14	1	EPA 6010C Certifications: CTDOH,NELAC-NY10854,NJDEP,PADEP	10/24/2016 11:09	10/24/2016 21:43	KV
7440-41-7	Beryllium	ND		mg/kg dry	0.114	0.114	1	EPA 6010C Certifications: CTDOH,NELAC-NY10854,NJDEP,PADEP	10/24/2016 11:09	10/24/2016 21:43	KV
7440-43-9	Cadmium	ND		mg/kg dry	0.341	0.341	1	EPA 6010C Certifications: CTDOH,NELAC-NY10854,NJDEP,PADEP	10/24/2016 11:09	10/24/2016 21:43	KV
7440-70-2	Calcium	1110		mg/kg dry	0.568	0.568	1	EPA 6010C Certifications: CTDOH,NELAC-NY10854,NJDEP,PADEP	10/24/2016 11:09	10/24/2016 21:43	KV
7440-47-3	Chromium	6.08		mg/kg dry	0.568	0.568	1	EPA 6010C Certifications: CTDOH,NELAC-NY10854,NJDEP,PADEP	10/24/2016 11:09	10/24/2016 21:43	KV
7440-48-4	Cobalt	2.81		mg/kg dry	0.568	0.568	1	EPA 6010C Certifications: CTDOH,NELAC-NY10854,NJDEP,PADEP	10/24/2016 11:09	10/24/2016 21:43	KV
7440-50-8	Copper	5.23		mg/kg dry	0.568	0.568	1	EPA 6010C Certifications: CTDOH,NELAC-NY10854,NJDEP,PADEP	10/24/2016 11:09	10/24/2016 21:43	KV
7439-89-6	Iron	6670		mg/kg dry	2.27	2.27	1	EPA 6010C Certifications: CTDOH,NELAC-NY10854,NJDEP,PADEP	10/24/2016 11:09	10/24/2016 21:43	KV
7439-92-1	Lead	2.56		mg/kg dry	0.341	0.341	1	EPA 6010C Certifications: CTDOH,NELAC-NY10854,NJDEP,PADEP	10/24/2016 11:09	10/24/2016 21:43	KV
7439-95-4	Magnesium	960		mg/kg dry	5.68	5.68	1	EPA 6010C Certifications: CTDOH,NELAC-NY10854,NJDEP,PADEP	10/24/2016 11:09	10/24/2016 21:43	KV
7439-96-5	Manganese	58.7		mg/kg dry	0.568	0.568	1	EPA 6010C Certifications: CTDOH,NELAC-NY10854,NJDEP,PADEP	10/24/2016 11:09	10/24/2016 21:43	KV

HAZ = 244



Sample Information

Client Sample ID: SB-07-4.5-5.0'

York Sample ID: 16J0783-12

<u>York Project (SDG) No.</u> 16J0783	<u>Client Project ID</u> 95th str sewer/water OEGS 15-008-0265	<u>Matrix</u> Soil	<u>Collection Date/Time</u> October 20, 2016 1:15 pm	<u>Date Received</u> 10/21/2016
--	---	-----------------------	---	------------------------------------

Metals, Target Analyte

Log-in Notes: VOA-CONT Sample Notes:

Sample Prepared by Method: EPA 3050B

CAS No.	Parameter	Result	Flag	Units	LOD/MDL	Reported to LOQ	Dilution	Reference Method	Date/Time Prepared	Date/Time Analyzed	Analyst
7440-02-0	Nickel	7.21		mg/kg dry	0.568	0.568	1	EPA 6010C Certifications: CTDOH,NELAC-NY10854,NJDEP,PADEP	10/24/2016 11:09	10/24/2016 21:43	KV
7440-09-7	Potassium	465		mg/kg dry	5.68	5.68	1	EPA 6010C Certifications: CTDOH,NELAC-NY10854,NJDEP,PADEP	10/24/2016 11:09	10/24/2016 21:43	KV
7782-49-2	Selenium	ND		mg/kg dry	1.14	1.14	1	EPA 6010C Certifications: CTDOH,NELAC-NY10854,NJDEP,PADEP	10/24/2016 11:09	10/24/2016 21:43	KV
7440-22-4	Silver	ND		mg/kg dry	0.568	0.568	1	EPA 6010C Certifications: CTDOH,NELAC-NY10854,NJDEP,PADEP	10/24/2016 11:09	10/24/2016 21:43	KV
7440-23-5	Sodium	159		mg/kg dry	11.4	11.4	1	EPA 6010C Certifications: CTDOH,NELAC-NY10854,NJDEP	10/24/2016 11:09	10/24/2016 21:43	KV
7440-28-0	Thallium	ND		mg/kg dry	1.14	1.14	1	EPA 6010C Certifications: CTDOH,NELAC-NY10854,NJDEP,PADEP	10/24/2016 11:09	10/24/2016 21:43	KV
7440-62-2	Vanadium	8.84		mg/kg dry	1.14	1.14	1	EPA 6010C Certifications: CTDOH,NELAC-NY10854,NJDEP,PADEP	10/24/2016 11:09	10/24/2016 21:43	KV
7440-66-6	Zinc	12.1		mg/kg dry	1.14	1.14	1	EPA 6010C Certifications: CTDOH,NELAC-NY10854,NJDEP,PADEP	10/24/2016 11:09	10/24/2016 21:43	KV

Mercury by 7473

Log-in Notes: VOA-CONT Sample Notes:

Sample Prepared by Method: EPA 7473 soil

CAS No.	Parameter	Result	Flag	Units	LOD/MDL	Reported to LOQ	Dilution	Reference Method	Date/Time Prepared	Date/Time Analyzed	Analyst
7439-97-6	Mercury	ND		mg/kg dry	0.0341	0.0341	1	EPA 7473 Certifications: CTDOH,NJDEP,NELAC-NY10854,PADEP	10/24/2016 06:31	10/24/2016 14:43	KV

Total Solids

Log-in Notes: VOA-CONT Sample Notes:

Sample Prepared by Method: % Solids Prep

CAS No.	Parameter	Result	Flag	Units	LOD/MDL	Reported to LOQ	Dilution	Reference Method	Date/Time Prepared	Date/Time Analyzed	Analyst
solids	* % Solids	88.1		%	0.100	0.100	1	SM 2540G Certifications: CTDOH	10/25/2016 08:57	10/25/2016 12:21	TJM

Sample Information

Client Sample ID: SB-07-COMP

York Sample ID: 16J0783-13

<u>York Project (SDG) No.</u> 16J0783	<u>Client Project ID</u> 95th str sewer/water OEGS 15-008-0265	<u>Matrix</u> Soil	<u>Collection Date/Time</u> October 20, 2016 1:20 pm	<u>Date Received</u> 10/21/2016
--	---	-----------------------	---	------------------------------------

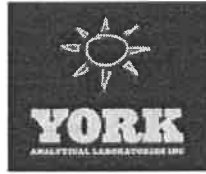
Oil Petroleum Hydrocarbons-DRO (C10-C28)

Log-in Notes: Sample Notes:

Sample Prepared by Method: EPA 3550C

CAS No.	Parameter	Result	Flag	Units	LOD/MDL	Reported to LOQ	Dilution	Reference Method	Date/Time Prepared	Date/Time Analyzed	Analyst
120 RESEARCH DRIVE					STRATFORD, CT 06615			(203) 325-1371		FAX (203) 357-0166	

HAZ-245



Sample Information

Client Sample ID: SB-07-COMP **York Sample ID:** 16J0783-13
York Project (SDG) No. 16J0783 **Client Project ID** 95th str sewer/water OEGS 15-008-0265 **Matrix** Soil **Collection Date/Time** October 20, 2016 1:20 pm **Date Received** 10/21/2016

Total Petroleum Hydrocarbons-DRO (C10-C28)

Log-in Notes:

Sample Notes:

Sample Prepared by Method: EPA 3550C

CAS No.	Parameter	Result	Flag	Units	LOD/MDL	Reported to LOQ	Dilution	Reference Method	Date/Time Prepared	Date/Time Analyzed	Analyst
	Total Petroleum Hydrocarbons-DRO	36.2		mg/kg dry	4.09	12.0	1	EPA 8015D	10/25/2016 14:10	10/26/2016 23:07	AMC
	Surrogate Recoveries	Result						Certifications: NELAC-NY10854,NJDEP,PADEP			
638-68-6	<i>Surrogate: Triacontane</i>	57.6 %									
											Acceptance Range 30-150

Total Petroleum Hydrocarbons-GRO (C5-C10)

Log-in Notes:

Sample Notes: VOA-CONT

Sample Prepared by Method: EPA 5035A

CAS No.	Parameter	Result	Flag	Units	LOD/MDL	Reported to LOQ	Dilution	Reference Method	Date/Time Prepared	Date/Time Analyzed	Analyst
	Total Petroleum Hydrocarbons-GRO	ND		mg/kg dry	48.1	96.1	100	EPA 8015D	10/27/2016 12:16	10/27/2016 20:08	OW
	Surrogate Recoveries	Result						Certifications: NELAC-NY10854,NJDEP,PADEP			
460-00-4	<i>Surrogate: p-Bromofluorobenzene</i>	90.6 %									
											Acceptance Range 70-130

Metals, TCLP RCRA

Log-in Notes:

Sample Notes:

Sample Prepared by Method: EPA 3015A/1311

CAS No.	Parameter	Result	Flag	Units	LOD/MDL	Reported to LOQ	Dilution	Reference Method	Date/Time Prepared	Date/Time Analyzed	Analyst
7440-38-2	Arsenic	ND		mg/L	0.004	0.004	1	EPA 6010C/1311	10/25/2016 12:41	10/25/2016 20:51	KV
								Certifications: CTDOH,NELAC-NY10854,NJDEP,PADEP			
7440-39-3	Barium	0.102		mg/L	0.011	0.011	1	EPA 6010C/1311	10/25/2016 12:41	10/25/2016 20:51	KV
								Certifications: CTDOH,NELAC-NY10854,NJDEP,PADEP			
7440-43-9	Cadmium	ND		mg/L	0.003	0.003	1	EPA 6010C/1311	10/25/2016 12:41	10/25/2016 20:51	KV
								Certifications: CTDOH,NELAC-NY10854,NJDEP,PADEP			
7440-47-3	Chromium	ND		mg/L	0.006	0.006	1	EPA 6010C/1311	10/25/2016 12:41	10/25/2016 20:51	KV
								Certifications: CTDOH,NELAC-NY10854,NJDEP,PADEP			
7439-92-1	Lead	0.009		mg/L	0.003	0.003	1	EPA 6010C/1311	10/25/2016 12:41	10/25/2016 20:51	KV
								Certifications: CTDOH,NELAC-NY10854,NJDEP,PADEP			
7782-49-2	Selenium	ND		M-ScT C mg/L	0.011	0.011	1	EPA 6010C/1311	10/25/2016 12:41	10/25/2016 20:51	KV
								Certifications: CTDOH,NELAC-NY10854,NJDEP,PADEP			
7440-22-4	Silver	ND		mg/L	0.006	0.006	1	EPA 6010C/1311	10/25/2016 12:41	10/25/2016 20:51	KV
								Certifications: CTDOH,NELAC-NY10854,NJDEP,PADEP			

Mercury TCLP by 7473

Log-in Notes:

Sample Notes:

Sample Prepared by Method: EPA 7473 water

CAS No.	Parameter	Result	Flag	Units	LOD/MDL	Reported to LOQ	Dilution	Reference Method	Date/Time Prepared	Date/Time Analyzed	Analyst
7439-97-6	Mercury	ND		mg/L	0.0000390	0.000200	1	EPA 7473/1311	10/26/2016 06:18	10/26/2016 11:23	ALD
								Certifications: CTDOH,NJDEP,PADEP,NELAC-NY10854			

Ignitability

Log-in Notes:

Sample Notes:

HA2-246



Sample Information

Client Sample ID: SB-07-COMP **York Sample ID:** 16J0783-13
York Project (SDG) No. 16J0783 **Client Project ID** 95th str sewer/water OEGS 15-008-0265 **Matrix** Soil **Collection Date/Time** October 20, 2016 1:20 pm **Date Received** 10/21/2016

Sample Prepared by Method: Analysis Preparation

CAS No.	Parameter	Result	Flag	Units	LOD/MDL	Reported to LOQ	Dilution	Reference Method	Date/Time Prepared	Date/Time Analyzed	Analyst
	* Ignitability	Non-Ignit.		-	1	1	1	EPA 1030P Certifications: CTDOH,PADEP	10/21/2016 23:59	10/22/2016 00:15	AA

Total Solids

Log-in Notes:

Sample Notes:

Sample Prepared by Method: % Solids Prep

CAS No.	Parameter	Result	Flag	Units	LOD/MDL	Reported to LOQ	Dilution	Reference Method	Date/Time Prepared	Date/Time Analyzed	Analyst
	* % Solids	83.2		%	0.100	0.100	1	SM 2540G Certifications: CTDOH	10/25/2016 08:57	10/25/2016 12:21	TJM

Corrosivity

Log-in Notes:

Sample Notes:

Sample Prepared by Method: Analysis Preparation

CAS No.	Parameter	Result	Flag	Units	LOD/MDL	Reported to LOQ	Dilution	Reference Method	Date/Time Prepared	Date/Time Analyzed	Analyst
	pH	6.87	HT-pH	pH units		0.500	1	EPA 9045D Certifications: NELAC-NY10854,CTDOH,PADEP	10/25/2016 09:02	10/25/2016 16:12	DM1

Reactivity-Cyanide

Log-in Notes:

Sample Notes:

Sample Prepared by Method: Analysis Preparation

CAS No.	Parameter	Result	Flag	Units	LOD/MDL	Reported to LOQ	Dilution	Reference Method	Date/Time Prepared	Date/Time Analyzed	Analyst
	* Reactivity - Cyanide	ND		mg/kg	0.250	0.250	1	EPA SW-846 Ch.7.3.3 Certifications: CTDOH,PADEP	10/28/2016 15:05	10/28/2016 16:39	AD

Reactivity-Sulfide

Log-in Notes:

Sample Notes:

Sample Prepared by Method: Analysis Preparation

CAS No.	Parameter	Result	Flag	Units	LOD/MDL	Reported to LOQ	Dilution	Reference Method	Date/Time Prepared	Date/Time Analyzed	Analyst
	* Reactivity - Sulfide	ND		mg/kg	15.0	15.0	1	EPA SW-846 Ch.7.3.4 Certifications: CTDOH,PADEP	10/28/2016 15:06	10/28/2016 16:39	AD

TCLP Extraction for METALS EPA 1311

Log-in Notes:

Sample Notes:

Sample Prepared by Method: EPA SW 846-1311 TCLP ext. for metals

CAS No.	Parameter	Result	Flag	Units	LOD/MDL	Reported to LOQ	Dilution	Reference Method	Date/Time Prepared	Date/Time Analyzed	Analyst
	TCLP Extraction	Completed		N/A	1.00	1.00	1	EPA 1311 Certifications: NELAC-NY10854,CTDOH,NJDEP,PADEP	10/24/2016 18:13	10/25/2016 13:49	TJM

Sample Information

Client Sample ID: SB-05-3.5-4.0' **York Sample ID:** 16J0783-14
York Project (SDG) No. 16J0783 **Client Project ID** 95th str sewer/water OEGS 15-008-0265 **Matrix** Soil **Collection Date/Time** October 21, 2016 8:25 am **Date Received** 10/21/2016

HAZ-247



Sample Information

Client Sample ID: SB-05-3.5-4.0'

York Sample ID: 16J0783-14

York Project (SDG) No.
16J0783

Client Project ID
95th str sewer/water OEGS 15-008-0265

Matrix
Soil

Collection Date/Time
October 21, 2016 8:25 am

Date Received
10/21/2016

Volatile Organics, 8260 - Comprehensive

Log-in Notes: VOA-CONT

Sample Notes:

Sample Prepared by Method: EPA 5035A

CAS No.	Parameter	Result	Flag	Units	Reported to LOD/MDL	LOQ	Dilution	Reference Method	Date/Time Prepared	Date/Time Analyzed	Analyst
630-20-6	1,1,1,2-Tetrachloroethane	ND		mg/kg dry	0.0026	0.0052	1	EPA 8260C Certifications: CTDOH,NELAC-NY10854,NJDEP	10/26/2016 15:30	10/27/2016 03:53	BK
71-55-6	1,1,1-Trichloroethane	ND		mg/kg dry	0.0026	0.0052	1	EPA 8260C Certifications: CTDOH,NELAC-NY10854,NJDEP,PADEP	10/26/2016 15:30	10/27/2016 03:53	BK
79-34-5	1,1,2,2-Tetrachloroethane	ND		mg/kg dry	0.0026	0.0052	1	EPA 8260C Certifications: CTDOH,NELAC-NY10854,NJDEP,PADEP	10/26/2016 15:30	10/27/2016 03:53	BK
76-13-1	1,1,2-Trichloro-1,2,2-trifluoroethane (Freon 113)	ND		mg/kg dry	0.0026	0.0052	1	EPA 8260C Certifications: CTDOH,NELAC-NY10854,NJDEP	10/26/2016 15:30	10/27/2016 03:53	BK
79-00-5	1,1,2-Trichloroethane	ND		mg/kg dry	0.0026	0.0052	1	EPA 8260C Certifications: CTDOH,NELAC-NY10854,NJDEP,PADEP	10/26/2016 15:30	10/27/2016 03:53	BK
75-34-3	1,1-Dichloroethane	ND		mg/kg dry	0.0026	0.0052	1	EPA 8260C Certifications: CTDOH,NELAC-NY10854,NJDEP,PADEP	10/26/2016 15:30	10/27/2016 03:53	BK
75-35-4	1,1-Dichloroethylene	ND		mg/kg dry	0.0026	0.0052	1	EPA 8260C Certifications: CTDOH,NELAC-NY10854,NJDEP,PADEP	10/26/2016 15:30	10/27/2016 03:53	BK
87-61-6	1,2,3-Trichlorobenzene	ND		mg/kg dry	0.0026	0.0052	1	EPA 8260C Certifications: NELAC-NY10854,NJDEP	10/26/2016 15:30	10/27/2016 03:53	BK
96-18-4	1,2,3-Trichloropropane	ND		mg/kg dry	0.0026	0.0052	1	EPA 8260C Certifications: NELAC-NY10854,NJDEP	10/26/2016 15:30	10/27/2016 03:53	BK
120-82-1	1,2,4-Trichlorobenzene	ND		mg/kg dry	0.0026	0.0052	1	EPA 8260C Certifications: NELAC-NY10854,NJDEP	10/26/2016 15:30	10/27/2016 03:53	BK
95-63-6	1,2,4-Trimethylbenzene	ND		mg/kg dry	0.0026	0.0052	1	EPA 8260C Certifications: CTDOH,NELAC-NY10854,NJDEP	10/26/2016 15:30	10/27/2016 03:53	BK
96-12-8	1,2-Dibromo-3-chloropropane	ND		mg/kg dry	0.0026	0.0052	1	EPA 8260C Certifications: CTDOH,NELAC-NY10854,NJDEP	10/26/2016 15:30	10/27/2016 03:53	BK
106-93-4	1,2-Dibromoethane	ND		mg/kg dry	0.0026	0.0052	1	EPA 8260C Certifications: CTDOH,NELAC-NY10854,NJDEP	10/26/2016 15:30	10/27/2016 03:53	BK
95-50-1	1,2-Dichlorobenzene	ND		mg/kg dry	0.0026	0.0052	1	EPA 8260C Certifications: CTDOH,NELAC-NY10854,NJDEP,PADEP	10/26/2016 15:30	10/27/2016 03:53	BK
107-06-2	1,2-Dichloroethane	ND		mg/kg dry	0.0026	0.0052	1	EPA 8260C Certifications: CTDOH,NELAC-NY10854,NJDEP,PADEP	10/26/2016 15:30	10/27/2016 03:53	BK
78-87-5	1,2-Dichloropropane	ND		mg/kg dry	0.0026	0.0052	1	EPA 8260C Certifications: CTDOH,NELAC-NY10854,NJDEP	10/26/2016 15:30	10/27/2016 03:53	BK
108-67-8	1,3,5-Trimethylbenzene	ND		mg/kg dry	0.0026	0.0052	1	EPA 8260C Certifications: CTDOH,NELAC-NY10854,NJDEP	10/26/2016 15:30	10/27/2016 03:53	BK
541-73-1	1,3-Dichlorobenzene	ND		mg/kg dry	0.0026	0.0052	1	EPA 8260C Certifications: CTDOH,NELAC-NY10854,NJDEP,PADEP	10/26/2016 15:30	10/27/2016 03:53	BK
106-46-7	1,4-Dichlorobenzene	ND		mg/kg dry	0.0026	0.0052	1	EPA 8260C Certifications: CTDOH,NELAC-NY10854,NJDEP,PADEP	10/26/2016 15:30	10/27/2016 03:53	BK
123-91-1	1,4-Dioxane	ND		mg/kg dry	0.052	0.10	1	EPA 8260C Certifications: NELAC-NY10854,NJDEP	10/26/2016 15:30	10/27/2016 03:53	BK
78-93-3	2-Butanone	ND		mg/kg dry	0.0026	0.0052	1	EPA 8260C Certifications: CTDOH,NELAC-NY10854,NJDEP	10/26/2016 15:30	10/27/2016 03:53	BK

HAZ-248



Sample Information

Client Sample ID: SB-05-3.5-4.0'

York Sample ID: 16J0783-14

York Project (SDG) No.
16J0783

Client Project ID
95th str sewer/water OEGS 15-008-0265

Matrix
Soil

Collection Date/Time
October 21, 2016 8:25 am

Date Received
10/21/2016

Volatile Organics, 8260 - Comprehensive

Log-in Notes: VOA-CONT

Sample Notes:

Sample Prepared by Method: EPA 5035A

CAS No.	Parameter	Result	Flag	Units	Reported to LOD/MDL	LOQ	Dilution	Reference Method	Date/Time Prepared	Date/Time Analyzed	Analyst
591-78-6	2-Hexanone	ND		mg/kg dry	0.0026	0.0052	1	EPA 8260C Certifications: CTDOH,NELAC-NY10854,NJDEP	10/26/2016 15:30	10/27/2016 03:53	BK
108-10-1	4-Methyl-2-pentanone	ND		mg/kg dry	0.0026	0.0052	1	EPA 8260C Certifications: CTDOH,NELAC-NY10854,NJDEP	10/26/2016 15:30	10/27/2016 03:53	BK
67-64-1	Acetone	ND		mg/kg dry	0.0052	0.010	1	EPA 8260C Certifications: CTDOH,NELAC-NY10854,NJDEP	10/26/2016 15:30	10/27/2016 03:53	BK
107-02-8	Acrolein	ND		mg/kg dry	0.0052	0.010	1	EPA 8260C Certifications: CTDOH,NELAC-NY10854,NJDEP	10/26/2016 15:30	10/27/2016 03:53	BK
107-13-1	Acrylonitrile	ND		mg/kg dry	0.0026	0.0052	1	EPA 8260C Certifications: CTDOH,NELAC-NY10854,NJDEP	10/26/2016 15:30	10/27/2016 03:53	BK
71-43-2	Benzene	ND		mg/kg dry	0.0026	0.0052	1	EPA 8260C Certifications: CTDOH,NELAC-NY10854,NJDEP,PADEP	10/26/2016 15:30	10/27/2016 03:53	BK
74-97-5	Bromochloromethane	ND		mg/kg dry	0.0026	0.0052	1	EPA 8260C Certifications: NELAC-NY10854,NJDEP	10/26/2016 15:30	10/27/2016 03:53	BK
74-92-4	Bromodichloromethane	ND		mg/kg dry	0.0026	0.0052	1	EPA 8260C Certifications: CTDOH,NELAC-NY10854,NJDEP,PADEP	10/26/2016 15:30	10/27/2016 03:53	BK
75-25-2	Bromoform	ND		mg/kg dry	0.0026	0.0052	1	EPA 8260C Certifications: CTDOH,NELAC-NY10854,NJDEP,PADEP	10/26/2016 15:30	10/27/2016 03:53	BK
74-83-9	Bromomethane	ND		mg/kg dry	0.0026	0.0052	1	EPA 8260C Certifications: CTDOH,NELAC-NY10854,NJDEP,PADEP	10/26/2016 15:30	10/27/2016 03:53	BK
75-15-0	Carbon disulfide	ND		mg/kg dry	0.0026	0.0052	1	EPA 8260C Certifications: CTDOH,NELAC-NY10854,NJDEP	10/26/2016 15:30	10/27/2016 03:53	BK
56-23-5	Carbon tetrachloride	ND		mg/kg dry	0.0026	0.0052	1	EPA 8260C Certifications: CTDOH,NELAC-NY10854,NJDEP,PADEP	10/26/2016 15:30	10/27/2016 03:53	BK
108-90-7	Chlorobenzene	ND		mg/kg dry	0.0026	0.0052	1	EPA 8260C Certifications: CTDOH,NELAC-NY10854,NJDEP,PADEP	10/26/2016 15:30	10/27/2016 03:53	BK
75-00-3	Chloroethane	ND		mg/kg dry	0.0026	0.0052	1	EPA 8260C Certifications: CTDOH,NELAC-NY10854,NJDEP,PADEP	10/26/2016 15:30	10/27/2016 03:53	BK
67-66-3	Chloroform	ND		mg/kg dry	0.0026	0.0052	1	EPA 8260C Certifications: CTDOH,NELAC-NY10854,NJDEP,PADEP	10/26/2016 15:30	10/27/2016 03:53	BK
74-87-3	Chloromethane	ND		mg/kg dry	0.0026	0.0052	1	EPA 8260C Certifications: CTDOH,NELAC-NY10854,NJDEP,PADEP	10/26/2016 15:30	10/27/2016 03:53	BK
156-59-2	cis-1,2-Dichloroethylene	ND		mg/kg dry	0.0026	0.0052	1	EPA 8260C Certifications: CTDOH,NELAC-NY10854,NJDEP	10/26/2016 15:30	10/27/2016 03:53	BK
10061-01-5	cis-1,3-Dichloropropylene	ND		mg/kg dry	0.0026	0.0052	1	EPA 8260C Certifications: CTDOH,NELAC-NY10854,NJDEP,PADEP	10/26/2016 15:30	10/27/2016 03:53	BK
110-82-7	Cyclohexane	ND		mg/kg dry	0.0026	0.0052	1	EPA 8260C Certifications: NELAC-NY10854,NJDEP	10/26/2016 15:30	10/27/2016 03:53	BK
124-48-1	Dibromochloromethane	ND		mg/kg dry	0.0026	0.0052	1	EPA 8260C Certifications: NELAC-NY10854,NJDEP,PADEP	10/26/2016 15:30	10/27/2016 03:53	BK
75-95-3	Dibromomethane	ND		mg/kg dry	0.0026	0.0052	1	EPA 8260C Certifications: NELAC-NY10854,NJDEP	10/26/2016 15:30	10/27/2016 03:53	BK
75-71-8	Dichlorodifluoromethane	ND		mg/kg dry	0.0026	0.0052	1	EPA 8260C Certifications: NELAC-NY10854,NJDEP	10/26/2016 15:30	10/27/2016 03:53	BK

HAZ-249



Sample Information

Client Sample ID: SB-05-3.5-4.0'

York Sample ID: - 16J0783-14

York Project (SDG) No.
16J0783

Client Project ID
95th str sewer/water OEGS 15-008-0265

Matrix
Soil

Collection Date/Time
October 21, 2016 8:25 am

Date Received
10/21/2016

Volatile Organics, 8260 - Comprehensive

Log-in Notes: VOA-CONT Sample Notes:

Sample Prepared by Method: EPA 5035A

CAS No.	Parameter	Result	Flag	Units	Reported to LOD/MDL	LOQ	Dilution	Reference Method	Date/Time Prepared	Date/Time Analyzed	Analyst
100-41-4	Ethyl Benzene	ND		mg/kg dry	0.0026	0.0052	1	EPA 8260C Certifications: CTDOH,NELAC-NY10854,NJDEP,PADEP	10/26/2016 15:30	10/27/2016 03:53	BK
87-68-3	Hexachlorobutadiene	ND		mg/kg dry	0.0026	0.0052	1	EPA 8260C Certifications: NELAC-NY10854,NJDEP	10/26/2016 15:30	10/27/2016 03:53	BK
98-82-8	Isopropylbenzene	ND		mg/kg dry	0.0026	0.0052	1	EPA 8260C Certifications: CTDOH,NELAC-NY10854,NJDEP	10/26/2016 15:30	10/27/2016 03:53	BK
79-20-9	Methyl acetate	ND		mg/kg dry	0.0026	0.0052	1	EPA 8260C Certifications: NELAC-NY10854,NJDEP	10/26/2016 15:30	10/27/2016 03:53	BK
1634-04-4	Methyl tert-butyl ether (MTBE)	ND		mg/kg dry	0.0026	0.0052	1	EPA 8260C Certifications: CTDOH,NELAC-NY10854,NJDEP	10/26/2016 15:30	10/27/2016 03:53	BK
108-87-2	Methylcyclohexane	ND		mg/kg dry	0.0026	0.0052	1	EPA 8260C Certifications: NELAC-NY10854,NJDEP	10/26/2016 15:30	10/27/2016 03:53	BK
75-09-2	Methylene chloride	ND		mg/kg dry	0.0052	0.010	1	EPA 8260C Certifications: CTDOH,NELAC-NY10854,NJDEP,PADEP	10/26/2016 15:30	10/27/2016 03:53	BK
104-51-8	n-Butylbenzene	ND		mg/kg dry	0.0026	0.0052	1	EPA 8260C Certifications: CTDOH,NELAC-NY10854,NJDEP	10/26/2016 15:30	10/27/2016 03:53	BK
103-65-1	n-Propylbenzene	ND		mg/kg dry	0.0026	0.0052	1	EPA 8260C Certifications: CTDOH,NELAC-NY10854,NJDEP	10/26/2016 15:30	10/27/2016 03:53	BK
95-47-6	o-Xylene	ND		mg/kg dry	0.0026	0.0052	1	EPA 8260C Certifications: CTDOH,NELAC-NY10854	10/26/2016 15:30	10/27/2016 03:53	BK
179601-23-1	p- & m- Xylenes	ND		mg/kg dry	0.0052	0.010	1	EPA 8260C Certifications: CTDOH,NELAC-NY10854	10/26/2016 15:30	10/27/2016 03:53	BK
99-87-6	p-Isopropyltoluene	ND		mg/kg dry	0.0026	0.0052	1	EPA 8260C Certifications: CTDOH,NELAC-NY10854,NJDEP	10/26/2016 15:30	10/27/2016 03:53	BK
135-98-8	sec-Butylbenzene	ND		mg/kg dry	0.0026	0.0052	1	EPA 8260C Certifications: CTDOH,NELAC-NY10854,NJDEP	10/26/2016 15:30	10/27/2016 03:53	BK
100-42-5	Styrene	ND		mg/kg dry	0.0026	0.0052	1	EPA 8260C Certifications: CTDOH,NELAC-NY10854,NJDEP	10/26/2016 15:30	10/27/2016 03:53	BK
75-65-0	tert-Butyl alcohol (TBA)	ND		mg/kg dry	0.0026	0.0052	1	EPA 8260C Certifications: NELAC-NY10854,NJDEP	10/26/2016 15:30	10/27/2016 03:53	BK
98-06-6	tert-Butylbenzene	ND		mg/kg dry	0.0026	0.0052	1	EPA 8260C Certifications: CTDOH,NELAC-NY10854,NJDEP	10/26/2016 15:30	10/27/2016 03:53	BK
127-18-4	Tetrachloroethylene	ND		mg/kg dry	0.0026	0.0052	1	EPA 8260C Certifications: CTDOH,NELAC-NY10854,NJDEP,PADEP	10/26/2016 15:30	10/27/2016 03:53	BK
108-88-3	Toluene	ND		mg/kg dry	0.0026	0.0052	1	EPA 8260C Certifications: CTDOH,NELAC-NY10854,NJDEP,PADEP	10/26/2016 15:30	10/27/2016 03:53	BK
156-60-5	trans-1,2-Dichloroethylene	ND		mg/kg dry	0.0026	0.0052	1	EPA 8260C Certifications: CTDOH,NELAC-NY10854,NJDEP	10/26/2016 15:30	10/27/2016 03:53	BK
10061-02-6	trans-1,3-Dichloropropylene	ND		mg/kg dry	0.0026	0.0052	1	EPA 8260C Certifications: CTDOH,NELAC-NY10854,NJDEP,PADEP	10/26/2016 15:30	10/27/2016 03:53	BK
79-01-6	Trichloroethylene	ND		mg/kg dry	0.0026	0.0052	1	EPA 8260C Certifications: CTDOH,NELAC-NY10854,NJDEP,PADEP	10/26/2016 15:30	10/27/2016 03:53	BK
75-69-4	Trichlorofluoromethane	ND		mg/kg dry	0.0026	0.0052	1	EPA 8260C Certifications: CTDOH,NELAC-NY10854,NJDEP,PADEP	10/26/2016 15:30	10/27/2016 03:53	BK

HAZ-250



Sample Information

Client Sample ID: SB-05-3.5-4.0'

York Sample ID: 16J0783-14

York Project (SDG) No.
16J0783

Client Project ID
95th str sewer/water OEGS 15-008-0265

Matrix
Soil

Collection Date/Time
October 21, 2016 8:25 am

Date Received
10/21/2016

Volatile Organics, 8260 - Comprehensive

Log-in Notes: VOA-CONT Sample Notes:

Sample Prepared by Method: EPA 5035A

CAS No.	Parameter	Result	Flag	Units	Reported to LOD/MDL	LOQ	Dilution	Reference Method	Date/Time Prepared	Date/Time Analyzed	Analyst
75-01-4	Vinyl Chloride	ND		mg/kg dry	0.0026	0.0052	1	EPA 8260C Certifications: CTDOH,NELAC-NY10854,NJDEP,PADEP	10/26/2016 15:30	10/27/2016 03:53	BK
1330-20-7	Xylenes, Total	ND		mg/kg dry	0.0077	0.015	1	EPA 8260C Certifications: CTDOH,NELAC-NY10854,NJDEP,PADEP	10/26/2016 15:30	10/27/2016 03:53	BK
	Surrogate Recoveries	Result			Acceptance Range						
17060-07-0	Surrogate: 1,2-Dichloroethane-d4	105 %			77-125						
2037-26-5	Surrogate: Toluene-d8	98.2 %			85-120						
460-00-4	Surrogate: p-Bromofluorobenzene	86.3 %			76-130						

Semi-Volatiles, 8270 - Comprehensive

Log-in Notes: VOA-CONT Sample Notes:

Sample Prepared by Method: EPA 3550C

CAS No.	Parameter	Result	Flag	Units	Reported to LOD/MDL	LOQ	Dilution	Reference Method	Date/Time Prepared	Date/Time Analyzed	Analyst
82-4	1,1'-Biphenyl	ND		mg/kg dry	0.0432	0.0861	2	EPA 8270D Certifications: NELAC-NY10854,NJDEP,PADEP	10/25/2016 14:08	10/26/2016 14:03	KH
95-94-3	1,2,4,5-Tetrachlorobenzene	ND		mg/kg dry	0.0861	0.172	2	EPA 8270D Certifications: NELAC-NY10854,NJDEP,PADEP	10/25/2016 14:08	10/26/2016 14:03	KH
120-82-1	1,2,4-Trichlorobenzene	ND		mg/kg dry	0.0432	0.0861	2	EPA 8270D Certifications: CTDOH,NELAC-NY10854,NJDEP,PADEP	10/25/2016 14:08	10/26/2016 14:03	KH
95-50-1	1,2-Dichlorobenzene	ND		mg/kg dry	0.0432	0.0861	2	EPA 8270D Certifications: NELAC-NY10854,PADEP	10/25/2016 14:08	10/26/2016 14:03	KH
122-66-7	1,2-Diphenylhydrazine (as Azobenzene)	ND		mg/kg dry	0.0432	0.0861	2	EPA 8270D Certifications: NELAC-NY10854,NJDEP,PADEP	10/25/2016 14:08	10/26/2016 14:03	KH
541-73-1	1,3-Dichlorobenzene	ND		mg/kg dry	0.0432	0.0861	2	EPA 8270D Certifications: NELAC-NY10854,PADEP	10/25/2016 14:08	10/26/2016 14:03	KH
106-46-7	1,4-Dichlorobenzene	ND		mg/kg dry	0.0432	0.0861	2	EPA 8270D Certifications: NELAC-NY10854,PADEP	10/25/2016 14:08	10/26/2016 14:03	KH
58-90-2	2,3,4,6-Tetrachlorophenol	ND		mg/kg dry	0.0861	0.172	2	EPA 8270D Certifications: NELAC-NY10854,NJDEP,PADEP	10/25/2016 14:08	10/26/2016 14:03	KH
95-95-4	2,4,5-Trichlorophenol	ND		mg/kg dry	0.0432	0.0861	2	EPA 8270D Certifications: CTDOH,NELAC-NY10854,NJDEP,PADEP	10/25/2016 14:08	10/26/2016 14:03	KH
88-06-2	2,4,6-Trichlorophenol	ND		mg/kg dry	0.0432	0.0861	2	EPA 8270D Certifications: CTDOH,NELAC-NY10854,NJDEP,PADEP	10/25/2016 14:08	10/26/2016 14:03	KH
120-83-2	2,4-Dichlorophenol	ND		mg/kg dry	0.0432	0.0861	2	EPA 8270D Certifications: CTDOH,NELAC-NY10854,NJDEP,PADEP	10/25/2016 14:08	10/26/2016 14:03	KH
105-67-9	2,4-Dimethylphenol	ND		mg/kg dry	0.0432	0.0861	2	EPA 8270D Certifications: CTDOH,NELAC-NY10854,NJDEP,PADEP	10/25/2016 14:08	10/26/2016 14:03	KH
51-28-5	2,4-Dinitrophenol	ND		mg/kg dry	0.0861	0.172	2	EPA 8270D Certifications: CTDOH,NELAC-NY10854,NJDEP,PADEP	10/25/2016 14:08	10/26/2016 14:03	KH
14-2	2,4-Dinitrotoluene	ND		mg/kg dry	0.0432	0.0861	2	EPA 8270D Certifications: CTDOH,NELAC-NY10854,NJDEP,PADEP	10/25/2016 14:08	10/26/2016 14:03	KH
606-20-2	2,6-Dinitrotoluene	ND		mg/kg dry	0.0432	0.0861	2	EPA 8270D Certifications: CTDOH,NELAC-NY10854,NJDEP,PADEP	10/25/2016 14:08	10/26/2016 14:03	KH

HAZ-251



Sample Information

Client Sample ID: SB-05-3.5-4.0'

York Sample ID: 16J0783-14

York Project (SDG) No.
16J0783

Client Project ID
95th str sewer/water OEGS 15-008-0265

Matrix
Soil

Collection Date/Time
October 21, 2016 8:25 am

Date Received
10/21/2016

Semi-Volatiles, 8270 - Comprehensive

Log-in Notes: VOA-CONT

Sample Notes:

Sample Prepared by Method: EPA 3550C

CAS No.	Parameter	Result	Flag	Units	Reported to LOD/MDL	LOQ	Dilution	Reference Method	Date/Time Prepared	Date/Time Analyzed	Analyst
91-58-7	2-Chloronaphthalene	ND		mg/kg dry	0.0432	0.0861	2	EPA 8270D Certifications: CTDOH,NELAC-NY10854,NJDEP,PADEP	10/25/2016 14:08	10/26/2016 14:03	KH
95-57-8	2-Chlorophenol	ND		mg/kg dry	0.0432	0.0861	2	EPA 8270D Certifications: CTDOH,NELAC-NY10854,NJDEP,PADEP	10/25/2016 14:08	10/26/2016 14:03	KH
91-57-6	2-Methylnaphthalene	ND		mg/kg dry	0.0432	0.0861	2	EPA 8270D Certifications: CTDOH,NELAC-NY10854,NJDEP,PADEP	10/25/2016 14:08	10/26/2016 14:03	KH
95-48-7	2-Methylphenol	ND		mg/kg dry	0.0432	0.0861	2	EPA 8270D Certifications: CTDOH,NELAC-NY10854,NJDEP,PADEP	10/25/2016 14:08	10/26/2016 14:03	KH
88-74-4	2-Nitroaniline	ND		mg/kg dry	0.0861	0.172	2	EPA 8270D Certifications: CTDOH,NELAC-NY10854,NJDEP,PADEP	10/25/2016 14:08	10/26/2016 14:03	KH
88-75-5	2-Nitrophenol	ND		mg/kg dry	0.0432	0.0861	2	EPA 8270D Certifications: CTDOH,NELAC-NY10854,NJDEP,PADEP	10/25/2016 14:08	10/26/2016 14:03	KH
65794-96-9	3- & 4-Methylphenols	ND		mg/kg dry	0.0432	0.0861	2	EPA 8270D Certifications: CTDOH,NELAC-NY10854,NJDEP,PADEP	10/25/2016 14:08	10/26/2016 14:03	KH
91-94-1	3,3'-Dichlorobenzidine	ND		mg/kg dry	0.0432	0.0861	2	EPA 8270D Certifications: NELAC-NY10854,NJDEP,PADEP	10/25/2016 14:08	10/26/2016 14:03	KH
99-09-2	3-Nitroaniline	ND		mg/kg dry	0.0861	0.172	2	EPA 8270D Certifications: CTDOH,NELAC-NY10854,NJDEP,PADEP	10/25/2016 14:08	10/26/2016 14:03	KH
534-52-1	4,6-Dinitro-2-methylphenol	ND		mg/kg dry	0.0861	0.172	2	EPA 8270D Certifications: CTDOH,NELAC-NY10854,NJDEP,PADEP	10/25/2016 14:08	10/26/2016 14:03	KH
101-55-3	4-Bromophenyl phenyl ether	ND		mg/kg dry	0.0432	0.0861	2	EPA 8270D Certifications: CTDOH,NELAC-NY10854,NJDEP,PADEP	10/25/2016 14:08	10/26/2016 14:03	KH
59-50-7	4-Chloro-3-methylphenol	ND		mg/kg dry	0.0432	0.0861	2	EPA 8270D Certifications: CTDOH,NELAC-NY10854,NJDEP,PADEP	10/25/2016 14:08	10/26/2016 14:03	KH
106-47-8	4-Chloroaniline	ND		mg/kg dry	0.0432	0.0861	2	EPA 8270D Certifications: CTDOH,NELAC-NY10854,NJDEP,PADEP	10/25/2016 14:08	10/26/2016 14:03	KH
7005-72-3	4-Chlorophenyl phenyl ether	ND		mg/kg dry	0.0432	0.0861	2	EPA 8270D Certifications: CTDOH,NELAC-NY10854,NJDEP,PADEP	10/25/2016 14:08	10/26/2016 14:03	KH
100-01-6	4-Nitroaniline	ND		mg/kg dry	0.0861	0.172	2	EPA 8270D Certifications: CTDOH,NELAC-NY10854,NJDEP,PADEP	10/25/2016 14:08	10/26/2016 14:03	KH
100-02-7	4-Nitrophenol	ND		mg/kg dry	0.0861	0.172	2	EPA 8270D Certifications: CTDOH,NELAC-NY10854,NJDEP,PADEP	10/25/2016 14:08	10/26/2016 14:03	KH
83-32-9	Acenaphthene	ND		mg/kg dry	0.0432	0.0861	2	EPA 8270D Certifications: CTDOH,NELAC-NY10854,NJDEP,PADEP	10/25/2016 14:08	10/26/2016 14:03	KH
208-96-8	Acenaphthylene	ND		mg/kg dry	0.0432	0.0861	2	EPA 8270D Certifications: CTDOH,NELAC-NY10854,NJDEP,PADEP	10/25/2016 14:08	10/26/2016 14:03	KH
98-86-2	Acetophenone	ND		mg/kg dry	0.0432	0.0861	2	EPA 8270D Certifications: NELAC-NY10854,NJDEP,PADEP	10/25/2016 14:08	10/26/2016 14:03	KH
62-53-3	Aniline	ND		mg/kg dry	0.172	0.345	2	EPA 8270D Certifications: NELAC-NY10854,NJDEP,PADEP	10/25/2016 14:08	10/26/2016 14:03	KH
120-12-7	Anthracene	ND		mg/kg dry	0.0432	0.0861	2	EPA 8270D Certifications: CTDOH,NELAC-NY10854,NJDEP,PADEP	10/25/2016 14:08	10/26/2016 14:03	KH
1912-24-9	Atrazine	ND		mg/kg dry	0.0432	0.0861	2	EPA 8270D Certifications: NELAC-NY10854,NJDEP,PADEP	10/25/2016 14:08	10/26/2016 14:03	KH

HA2-252



Sample Information

Client Sample ID: SB-05-3.5-4.0'

York Sample ID: 16J0783-14

York Project (SDG) No.
16J0783

Client Project ID
95th str sewer/water OEGS 15-008-0265

Matrix
Soil

Collection Date/Time
October 21, 2016 8:25 am

Date Received
10/21/2016

Semi-Volatiles, 8270 - Comprehensive

Log-in Notes: VOA-CONT Sample Notes:

Sample Prepared by Method: EPA 3550C

CAS No.	Parameter	Result	Flag	Units	Reported to LOD/MDL	LOQ	Dilution	Reference Method	Date/Time Prepared	Date/Time Analyzed	Analyst
100-52-7	Benzaldehyde	ND		mg/kg dry	0.0432	0.0861	2	EPA 8270D Certifications: NELAC-NY10854,NJDEP,PADEP	10/25/2016 14:08	10/26/2016 14:03	KH
92-87-5	Benzidine	ND		mg/kg dry	0.172	0.345	2	EPA 8270D Certifications: CTDOH,NELAC-NY10854,PADEP	10/25/2016 14:08	10/26/2016 14:03	KH
56-55-3	Benzo(a)anthracene	ND		mg/kg dry	0.0432	0.0861	2	EPA 8270D Certifications: CTDOH,NELAC-NY10854,NJDEP,PADEP	10/25/2016 14:08	10/26/2016 14:03	KH
50-32-8	Benzo(a)pyrene	ND		mg/kg dry	0.0432	0.0861	2	EPA 8270D Certifications: CTDOH,NELAC-NY10854,NJDEP,PADEP	10/25/2016 14:08	10/26/2016 14:03	KH
205-99-2	Benzo(b)fluoranthene	ND		mg/kg dry	0.0432	0.0861	2	EPA 8270D Certifications: CTDOH,NELAC-NY10854,NJDEP,PADEP	10/25/2016 14:08	10/26/2016 14:03	KH
191-24-2	Benzo(g,h,i)perylene	ND		mg/kg dry	0.0432	0.0861	2	EPA 8270D Certifications: CTDOH,NELAC-NY10854,NJDEP,PADEP	10/25/2016 14:08	10/26/2016 14:03	KH
207-08-9	Benzo(k)fluoranthene	ND		mg/kg dry	0.0432	0.0861	2	EPA 8270D Certifications: CTDOH,NELAC-NY10854,NJDEP,PADEP	10/25/2016 14:08	10/26/2016 14:03	KH
35-0	Benzoic acid	ND		mg/kg dry	0.0432	0.0861	2	EPA 8270D Certifications: NELAC-NY10854,NJDEP,PADEP	10/25/2016 14:08	10/26/2016 14:03	KH
100-51-6	Benzyl alcohol	ND		mg/kg dry	0.0432	0.0861	2	EPA 8270D Certifications: NELAC-NY10854,NJDEP,PADEP	10/25/2016 14:08	10/26/2016 14:03	KH
85-68-7	Benzyl butyl phthalate	ND		mg/kg dry	0.0432	0.0861	2	EPA 8270D Certifications: CTDOH,NELAC-NY10854,NJDEP,PADEP	10/25/2016 14:08	10/26/2016 14:03	KH
111-91-1	Bis(2-chloroethoxy)methane	ND		mg/kg dry	0.0432	0.0861	2	EPA 8270D Certifications: CTDOH,NELAC-NY10854,NJDEP,PADEP	10/25/2016 14:08	10/26/2016 14:03	KH
111-44-4	Bis(2-chloroethyl)ether	ND		mg/kg dry	0.0432	0.0861	2	EPA 8270D Certifications: CTDOH,NELAC-NY10854,NJDEP,PADEP	10/25/2016 14:08	10/26/2016 14:03	KH
108-60-1	Bis(2-chloroisopropyl)ether	ND		mg/kg dry	0.0432	0.0861	2	EPA 8270D Certifications: CTDOH,NELAC-NY10854,NJDEP,PADEP	10/25/2016 14:08	10/26/2016 14:03	KH
117-81-7	Bis(2-ethylhexyl)phthalate	ND		mg/kg dry	0.0432	0.0861	2	EPA 8270D Certifications: CTDOH,NELAC-NY10854,NJDEP,PADEP	10/25/2016 14:08	10/26/2016 14:03	KH
105-60-2	Caprolactam	ND		mg/kg dry	0.0861	0.172	2	EPA 8270D Certifications: NELAC-NY10854,NJDEP,PADEP	10/25/2016 14:08	10/26/2016 14:03	KH
86-74-8	Carbazole	ND		mg/kg dry	0.0432	0.0861	2	EPA 8270D Certifications: CTDOH,NELAC-NY10854,NJDEP,PADEP	10/25/2016 14:08	10/26/2016 14:03	KH
218-01-9	Chrysene	ND		mg/kg dry	0.0432	0.0861	2	EPA 8270D Certifications: CTDOH,NELAC-NY10854,NJDEP,PADEP	10/25/2016 14:08	10/26/2016 14:03	KH
53-70-3	Dibenzo(a,h)anthracene	ND		mg/kg dry	0.0432	0.0861	2	EPA 8270D Certifications: CTDOH,NELAC-NY10854,NJDEP,PADEP	10/25/2016 14:08	10/26/2016 14:03	KH
132-64-9	Dibenzofuran	ND		mg/kg dry	0.0432	0.0861	2	EPA 8270D Certifications: CTDOH,NELAC-NY10854,NJDEP,PADEP	10/25/2016 14:08	10/26/2016 14:03	KH
84-66-2	Diethyl phthalate	ND		mg/kg dry	0.0432	0.0861	2	EPA 8270D Certifications: CTDOH,NELAC-NY10854,NJDEP,PADEP	10/25/2016 14:08	10/26/2016 14:03	KH
131-11-3	Dimethyl phthalate	ND		mg/kg dry	0.0432	0.0861	2	EPA 8270D Certifications: CTDOH,NELAC-NY10854,NJDEP,PADEP	10/25/2016 14:08	10/26/2016 14:03	KH
74-2	Di-n-butyl phthalate	ND		mg/kg dry	0.0432	0.0861	2	EPA 8270D Certifications: CTDOH,NELAC-NY10854,NJDEP,PADEP	10/25/2016 14:08	10/26/2016 14:03	KH

HAZ-253



Sample Information

Client Sample ID: SB-05-3.5-4.0'

York Sample ID: 16J0783-14

York Project (SDG) No.
16J0783

Client Project ID
95th str sewer/water OEGS 15-008-0265

Matrix
Soil

Collection Date/Time
October 21, 2016 8:25 am

Date Received
10/21/2016

Semi-Volatiles, 8270 - Comprehensive

Log-in Notes: VOA-CONT Sample Notes:

Sample Prepared by Method: EPA 3550C

CAS No.	Parameter	Result	Flag	Units	Reported to LOD/MDL	LOQ	Dilution	Reference Method	Date/Time Prepared	Date/Time Analyzed	Analyst
117-84-0	Di-n-octyl phthalate	ND		mg/kg dry	0.0432	0.0861	2	EPA 8270D Certifications: CTDOH,NELAC-NY10854,NJDEP,PADEP	10/25/2016 14:08	10/26/2016 14:03	KH
206-44-0	Fluoranthene	ND		mg/kg dry	0.0432	0.0861	2	EPA 8270D Certifications: CTDOH,NELAC-NY10854,NJDEP,PADEP	10/25/2016 14:08	10/26/2016 14:03	KH
86-73-7	Fluorene	ND		mg/kg dry	0.0432	0.0861	2	EPA 8270D Certifications: NELAC-NY10854,NJDEP,PADEP	10/25/2016 14:08	10/26/2016 14:03	KH
118-74-1	Hexachlorobenzene	ND		mg/kg dry	0.0432	0.0861	2	EPA 8270D Certifications: CTDOH,NELAC-NY10854,NJDEP,PADEP	10/25/2016 14:08	10/26/2016 14:03	KH
87-68-3	Hexachlorobutadiene	ND		mg/kg dry	0.0432	0.0861	2	EPA 8270D Certifications: CTDOH,NELAC-NY10854,NJDEP,PADEP	10/25/2016 14:08	10/26/2016 14:03	KH
77-47-4	Hexachlorocyclopentadiene	ND		mg/kg dry	0.0432	0.0861	2	EPA 8270D Certifications: CTDOH,NELAC-NY10854,NJDEP,PADEP	10/25/2016 14:08	10/26/2016 14:03	KH
67-72-1	Hexachloroethane	ND		mg/kg dry	0.0432	0.0861	2	EPA 8270D Certifications: CTDOH,NELAC-NY10854,NJDEP,PADEP	10/25/2016 14:08	10/26/2016 14:03	KH
193-39-5	Indeno(1,2,3-cd)pyrene	ND		mg/kg dry	0.0432	0.0861	2	EPA 8270D Certifications: CTDOH,NELAC-NY10854,NJDEP,PADEP	10/25/2016 14:08	10/26/2016 14:03	KH
78-59-1	Isophorone	ND		mg/kg dry	0.0432	0.0861	2	EPA 8270D Certifications: CTDOH,NELAC-NY10854,NJDEP,PADEP	10/25/2016 14:08	10/26/2016 14:03	KH
91-20-3	Naphthalene	ND		mg/kg dry	0.0432	0.0861	2	EPA 8270D Certifications: CTDOH,NELAC-NY10854,NJDEP,PADEP	10/25/2016 14:08	10/26/2016 14:03	KH
98-95-3	Nitrobenzene	ND		mg/kg dry	0.0432	0.0861	2	EPA 8270D Certifications: CTDOH,NELAC-NY10854,NJDEP,PADEP	10/25/2016 14:08	10/26/2016 14:03	KH
62-75-9	N-Nitrosodimethylamine	ND		mg/kg dry	0.0432	0.0861	2	EPA 8270D Certifications: CTDOH,NELAC-NY10854,NJDEP,PADEP	10/25/2016 14:08	10/26/2016 14:03	KH
621-64-7	N-nitroso-di-n-propylamine	ND		mg/kg dry	0.0432	0.0861	2	EPA 8270D Certifications: CTDOH,NELAC-NY10854,NJDEP,PADEP	10/25/2016 14:08	10/26/2016 14:03	KH
86-30-6	N-Nitrosodiphenylamine	ND		mg/kg dry	0.0432	0.0861	2	EPA 8270D Certifications: CTDOH,NELAC-NY10854,NJDEP,PADEP	10/25/2016 14:08	10/26/2016 14:03	KH
87-86-5	Pentachlorophenol	ND		mg/kg dry	0.0432	0.0861	2	EPA 8270D Certifications: CTDOH,NELAC-NY10854,NJDEP,PADEP	10/25/2016 14:08	10/26/2016 14:03	KH
85-01-8	Phenanthrene	ND		mg/kg dry	0.0432	0.0861	2	EPA 8270D Certifications: CTDOH,NELAC-NY10854,NJDEP,PADEP	10/25/2016 14:08	10/26/2016 14:03	KH
108-95-2	Phenol	ND		mg/kg dry	0.0432	0.0861	2	EPA 8270D Certifications: CTDOH,NELAC-NY10854,NJDEP,PADEP	10/25/2016 14:08	10/26/2016 14:03	KH
129-00-0	Pyrene	ND		mg/kg dry	0.0432	0.0861	2	EPA 8270D Certifications: CTDOH,NELAC-NY10854,NJDEP,PADEP	10/25/2016 14:08	10/26/2016 14:03	KH
	Surrogate Recoveries	Result						Acceptance Range			
367-12-4	Surrogate: 2-Fluorophenol	51.0 %						20-108			
4165-62-2	Surrogate: Phenol-d5	46.3 %						23-114			
4165-60-0	Surrogate: Nitrobenzene-d5	42.0 %						22-108			
321-60-8	Surrogate: 2-Fluorobiphenyl	%						21-113			
118-79-6	Surrogate: 2,4,6-Tribromophenol	49.7 %						19-110			
1718-51-0	Surrogate: Terphenyl-d14	36.2 %						24-116			

HAZ-254



Sample Information

Client Sample ID: SB-05-3.5-4.0'

York Sample ID: 16J0783-14

York Project (SDG) No.
16J0783

Client Project ID
95th str sewer/water OEGS 15-008-0265

Matrix
Soil

Collection Date/Time
October 21, 2016 8:25 am

Date Received
10/21/2016

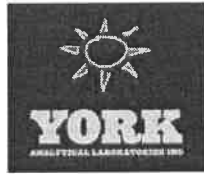
Pesticides, 8081 target list

Log-in Notes: VOA-CONT Sample Notes:

Sample Prepared by Method: EPA 3550C

CAS No.	Parameter	Result	Flag	Units	LOD/MDL	Reported to LOQ	Dilution	Reference Method	Date/Time Prepared	Date/Time Analyzed	Analyst
72-54-8	4,4'-DDD	ND		mg/kg dry	0.00170	0.00170	5	EPA 8081B Certifications: CTDOH,NELAC-NY10854,NJDEP,PADEP	10/26/2016 12:50	10/27/2016 17:53	AMC
72-55-9	4,4'-DDE	ND		mg/kg dry	0.00170	0.00170	5	EPA 8081B Certifications: CTDOH,NELAC-NY10854,NJDEP,PADEP	10/26/2016 12:50	10/27/2016 17:53	AMC
50-29-3	4,4'-DDT	ND		mg/kg dry	0.00170	0.00170	5	EPA 8081B Certifications: CTDOH,NELAC-NY10854,NJDEP,PADEP	10/26/2016 12:50	10/27/2016 17:53	AMC
309-00-2	Aldrin	ND		mg/kg dry	0.00170	0.00170	5	EPA 8081B Certifications: CTDOH,NELAC-NY10854,NJDEP,PADEP	10/26/2016 12:50	10/27/2016 17:53	AMC
319-84-6	alpha-BHC	ND		mg/kg dry	0.00170	0.00170	5	EPA 8081B Certifications: CTDOH,NELAC-NY10854,NJDEP,PADEP	10/26/2016 12:50	10/27/2016 17:53	AMC
5103-71-9	alpha-Chlordane	ND		mg/kg dry	0.00170	0.00170	5	EPA 8081B Certifications: NELAC-NY10854,NJDEP	10/26/2016 12:50	10/27/2016 17:53	AMC
9-85-7	beta-BHC	ND		mg/kg dry	0.00170	0.00170	5	EPA 8081B Certifications: CTDOH,NELAC-NY10854,NJDEP,PADEP	10/26/2016 12:50	10/27/2016 17:53	AMC
57-74-9	Chlordane, total	ND		mg/kg dry	0.0341	0.0341	5	EPA 8081B Certifications: CTDOH,NELAC-NY10854,NJDEP,PADEP	10/26/2016 12:50	10/27/2016 17:53	AMC
319-86-8	delta-BHC	ND		mg/kg dry	0.00170	0.00170	5	EPA 8081B Certifications: CTDOH,NELAC-NY10854,NJDEP,PADEP	10/26/2016 12:50	10/27/2016 17:53	AMC
60-57-1	Dieldrin	ND		mg/kg dry	0.00170	0.00170	5	EPA 8081B Certifications: CTDOH,NELAC-NY10854,NJDEP,PADEP	10/26/2016 12:50	10/27/2016 17:53	AMC
959-98-8	Endosulfan I	ND		mg/kg dry	0.00170	0.00170	5	EPA 8081B Certifications: CTDOH,NELAC-NY10854,NJDEP,PADEP	10/26/2016 12:50	10/27/2016 17:53	AMC
33213-65-9	Endosulfan II	ND		mg/kg dry	0.00170	0.00170	5	EPA 8081B Certifications: CTDOH,NELAC-NY10854,NJDEP,PADEP	10/26/2016 12:50	10/27/2016 17:53	AMC
1031-07-8	Endosulfan sulfate	ND		mg/kg dry	0.00170	0.00170	5	EPA 8081B Certifications: CTDOH,NELAC-NY10854,NJDEP,PADEP	10/26/2016 12:50	10/27/2016 17:53	AMC
72-20-8	Endrin	ND		mg/kg dry	0.00170	0.00170	5	EPA 8081B Certifications: CTDOH,NELAC-NY10854,NJDEP,PADEP	10/26/2016 12:50	10/27/2016 17:53	AMC
7421-93-4	Endrin aldehyde	ND		mg/kg dry	0.00170	0.00170	5	EPA 8081B Certifications: CTDOH,NELAC-NY10854,NJDEP,PADEP	10/26/2016 12:50	10/27/2016 17:53	AMC
53494-70-5	Endrin ketone	ND		mg/kg dry	0.00170	0.00170	5	EPA 8081B Certifications: CTDOH,NELAC-NY10854,NJDEP,PADEP	10/26/2016 12:50	10/27/2016 17:53	AMC
58-89-9	gamma-BHC (Lindane)	ND		mg/kg dry	0.00170	0.00170	5	EPA 8081B Certifications: CTDOH,NELAC-NY10854,NJDEP,PADEP	10/26/2016 12:50	10/27/2016 17:53	AMC
5566-34-7	gamma-Chlordane	ND		mg/kg dry	0.00170	0.00170	5	EPA 8081B Certifications: NELAC-NY10854,NJDEP	10/26/2016 12:50	10/27/2016 17:53	AMC
76-44-8	Heptachlor	ND		mg/kg dry	0.00170	0.00170	5	EPA 8081B Certifications: CTDOH,NELAC-NY10854,NJDEP,PADEP	10/26/2016 12:50	10/27/2016 17:53	AMC
1024-57-3	Heptachlor epoxide	ND		mg/kg dry	0.00170	0.00170	5	EPA 8081B Certifications: CTDOH,NELAC-NY10854,NJDEP,PADEP	10/26/2016 12:50	10/27/2016 17:53	AMC
5-5	Methoxychlor	ND		mg/kg dry	0.00852	0.00852	5	EPA 8081B Certifications: CTDOH,NELAC-NY10854,NJDEP,PADEP	10/26/2016 12:50	10/27/2016 17:53	AMC

HAZ-255



Sample Information

Client Sample ID: SB-05-3.5-4.0' **York Sample ID:** 16J0783-14
York Project (SDG) No. 16J0783 **Client Project ID** 95th str sewer/water OEGS 15-008-0265 **Matrix** Soil **Collection Date/Time** October 21, 2016 8:25 am **Date Received** 10/21/2016

Pesticides, 8081 target list

Log-in Notes: VOA-CONT **Sample Notes:**

Sample Prepared by Method: EPA 3550C

CAS No.	Parameter	Result	Flag	Units	LOD/MDL	Reported to LOQ	Dilution	Reference Method	Date/Time Prepared	Date/Time Analyzed	Analyst
8001-35-2	Toxaphene	ND		mg/kg dry	0.0862	0.0862	5	EPA 8081B Certifications: CTDOH,NELAC-NY10854,NJDEP,PADEP	10/26/2016 12:50	10/27/2016 17:53	AMC
Surrogate Recoveries		Result				Acceptance Range					
2051-24-3	Surrogate: Decachlorobiphenyl	103 %				30-150					
877-09-8	Surrogate: Tetrachloro-m-xylene	16.4 %	GC-SC u			30-150					

Polychlorinated Biphenyls (PCB)

Log-in Notes: VOA-CONT **Sample Notes:**

Sample Prepared by Method: EPA 3550C

CAS No.	Parameter	Result	Flag	Units	LOD/MDL	Reported to LOQ	Dilution	Reference Method	Date/Time Prepared	Date/Time Analyzed	Analyst
12674-11-2	Aroclor 1016	ND		mg/kg dry	0.0172	0.0172	1	EPA 8082A Certifications: NELAC-NY10854,CTDOH,NJDEP,PADEP	10/25/2016 07:10	10/25/2016 23:16	AMC
11104-28-2	Aroclor 1221	ND		mg/kg dry	0.0172	0.0172	1	EPA 8082A Certifications: NELAC-NY10854,CTDOH,NJDEP,PADEP	10/25/2016 07:10	10/25/2016 23:16	AMC
11141-16-5	Aroclor 1232	ND		mg/kg dry	0.0172	0.0172	1	EPA 8082A Certifications: NELAC-NY10854,CTDOH,NJDEP,PADEP	10/25/2016 07:10	10/25/2016 23:16	AMC
53469-21-9	Aroclor 1242	ND		mg/kg dry	0.0172	0.0172	1	EPA 8082A Certifications: NELAC-NY10854,CTDOH,NJDEP,PADEP	10/25/2016 07:10	10/25/2016 23:16	AMC
12672-29-6	Aroclor 1248	ND		mg/kg dry	0.0172	0.0172	1	EPA 8082A Certifications: NELAC-NY10854,CTDOH,NJDEP,PADEP	10/25/2016 07:10	10/25/2016 23:16	AMC
11097-69-1	Aroclor 1254	ND		mg/kg dry	0.0172	0.0172	1	EPA 8082A Certifications: NELAC-NY10854,CTDOH,NJDEP,PADEP	10/25/2016 07:10	10/25/2016 23:16	AMC
11096-82-5	Aroclor 1260	ND		mg/kg dry	0.0172	0.0172	1	EPA 8082A Certifications: NELAC-NY10854,CTDOH,NJDEP,PADEP	10/25/2016 07:10	10/25/2016 23:16	AMC
1336-36-3	* Total PCBs	ND		mg/kg dry	0.0172	0.0172	1	EPA 8082A Certifications:	10/25/2016 07:10	10/25/2016 23:16	AMC
Surrogate Recoveries		Result				Acceptance Range					
877-09-8	Surrogate: Tetrachloro-m-xylene	108 %				30-140					
2051-24-3	Surrogate: Decachlorobiphenyl	95.0 %				30-140					

Metals, Target Analyte

Log-in Notes: VOA-CONT **Sample Notes:**

Sample Prepared by Method: EPA 3050B

CAS No.	Parameter	Result	Flag	Units	LOD/MDL	Reported to LOQ	Dilution	Reference Method	Date/Time Prepared	Date/Time Analyzed	Analyst
7429-90-5	Aluminum	2210		mg/kg dry	5.16	5.16	1	EPA 6010C Certifications: CTDOH,NELAC-NY10854,NJDEP,PADEP	10/24/2016 11:09	10/24/2016 21:47	KV
7440-36-0	Antimony	ND		mg/kg dry	0.516	0.516	1	EPA 6010C Certifications: CTDOH,NELAC-NY10854,NJDEP,PADEP	10/24/2016 11:09	10/24/2016 21:47	KV
7440-38-2	Arsenic	5.53		mg/kg dry	1.03	1.03	1	EPA 6010C Certifications: CTDOH,NELAC-NY10854,NJDEP,PADEP	10/24/2016 11:09	10/24/2016 21:47	KV
7440-39-3	Barium	9.00		mg/kg dry	1.03	1.03	1	EPA 6010C Certifications: CTDOH,NELAC-NY10854,NJDEP,PADEP	10/24/2016 11:09	10/24/2016 21:47	KV

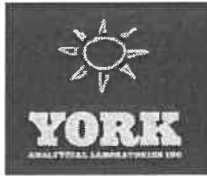
120 RESEARCH DRIVE

STRATFORD, CT 06615

(203) 325-1371

FAX (203) 357-0166

HAZ-256



Sample Information

Client Sample ID: SB-05-3.5-4.0'

York Sample ID: 16J0783-14

York Project (SDG) No.
16J0783

Client Project ID
95th str sewer/water OEGS 15-008-0265

Matrix
Soil

Collection Date/Time
October 21, 2016 8:25 am

Date Received
10/21/2016

Metals, Target Analyte

Log-in Notes:

VOA-CONT

Sample Notes:

Sample Prepared by Method: EPA 3050B

CAS No.	Parameter	Result	Flag	Units	LOD/MDL	Reported to		Dilution	Reference Method	Date/Time Prepared	Date/Time Analyzed	Analyst
						LOQ						
7440-41-7	Beryllium	ND		mg/kg dry	0.103	0.103		1	EPA 6010C Certifications: CTDOH,NELAC-NY10854,NJDEP,PADEP	10/24/2016 11:09	10/24/2016 21:47	KV
7440-43-9	Cadmium	ND		mg/kg dry	0.310	0.310		1	EPA 6010C Certifications: CTDOH,NELAC-NY10854,NJDEP,PADEP	10/24/2016 11:09	10/24/2016 21:47	KV
7440-70-2	Calcium	533		mg/kg dry	0.516	5.16		1	EPA 6010C Certifications: CTDOH,NELAC-NY10854,NJDEP,PADEP	10/24/2016 11:09	10/24/2016 21:47	KV
7440-47-3	Chromium	4.65		mg/kg dry	0.516	0.516		1	EPA 6010C Certifications: CTDOH,NELAC-NY10854,NJDEP,PADEP	10/24/2016 11:09	10/24/2016 21:47	KV
7440-48-4	Cobalt	2.89		mg/kg dry	0.516	0.516		1	EPA 6010C Certifications: CTDOH,NELAC-NY10854,NJDEP,PADEP	10/24/2016 11:09	10/24/2016 21:47	KV
7440-50-8	Copper	5.04		mg/kg dry	0.516	0.516		1	EPA 6010C Certifications: CTDOH,NELAC-NY10854,NJDEP,PADEP	10/24/2016 11:09	10/24/2016 21:47	KV
7439-89-6	Iron	4670		mg/kg dry	2.06	2.06		1	EPA 6010C Certifications: CTDOH,NELAC-NY10854,NJDEP,PADEP	10/24/2016 11:09	10/24/2016 21:47	KV
7439-92-1	Lead	1.68		mg/kg dry	0.310	0.310		1	EPA 6010C Certifications: CTDOH,NELAC-NY10854,NJDEP,PADEP	10/24/2016 11:09	10/24/2016 21:47	KV
7439-95-4	Magnesium	1010		mg/kg dry	5.16	5.16		1	EPA 6010C Certifications: CTDOH,NELAC-NY10854,NJDEP,PADEP	10/24/2016 11:09	10/24/2016 21:47	KV
7439-96-5	Manganese	40.2		mg/kg dry	0.516	0.516		1	EPA 6010C Certifications: CTDOH,NELAC-NY10854,NJDEP,PADEP	10/24/2016 11:09	10/24/2016 21:47	KV
7440-02-0	Nickel	8.13		mg/kg dry	0.516	0.516		1	EPA 6010C Certifications: CTDOH,NELAC-NY10854,NJDEP,PADEP	10/24/2016 11:09	10/24/2016 21:47	KV
7440-09-7	Potassium	431		mg/kg dry	5.16	5.16		1	EPA 6010C Certifications: CTDOH,NELAC-NY10854,NJDEP,PADEP	10/24/2016 11:09	10/24/2016 21:47	KV
7782-49-2	Selenium	ND		mg/kg dry	1.03	1.03		1	EPA 6010C Certifications: CTDOH,NELAC-NY10854,NJDEP,PADEP	10/24/2016 11:09	10/24/2016 21:47	KV
7440-22-4	Silver	ND		mg/kg dry	0.516	0.516		1	EPA 6010C Certifications: CTDOH,NELAC-NY10854,NJDEP,PADEP	10/24/2016 11:09	10/24/2016 21:47	KV
7440-23-5	Sodium	172		mg/kg dry	10.3	10.3		1	EPA 6010C Certifications: CTDOH,NELAC-NY10854,NJDEP	10/24/2016 11:09	10/24/2016 21:47	KV
7440-28-0	Thallium	ND		mg/kg dry	1.03	1.03		1	EPA 6010C Certifications: CTDOH,NELAC-NY10854,NJDEP,PADEP	10/24/2016 11:09	10/24/2016 21:47	KV
7440-62-2	Vanadium	7.95		mg/kg dry	1.03	1.03		1	EPA 6010C Certifications: CTDOH,NELAC-NY10854,NJDEP,PADEP	10/24/2016 11:09	10/24/2016 21:47	KV
7440-66-6	Zinc	14.3		mg/kg dry	1.03	1.03		1	EPA 6010C Certifications: CTDOH,NELAC-NY10854,NJDEP,PADEP	10/24/2016 11:09	10/24/2016 21:47	KV

Mercury by 7473

Log-in Notes:

VOA-CONT

Sample Notes:

Sample Prepared by Method: EPA 7473 soil

CAS No.	Parameter	Result	Flag	Units	LOD/MDL	Reported to		Dilution	Reference Method	Date/Time Prepared	Date/Time Analyzed	Analyst
						LOQ						
7439-97-6	Mercury	ND		mg/kg dry	0.0310	0.0310		1	EPA 7473 Certifications: CTDOH,NJDEP,NELAC-NY10854,PADEP	10/24/2016 06:31	10/24/2016 14:52	KV

HAZ-257



Sample Information

Client Sample ID: SB-05-3.5-4.0' **York Sample ID:** 16J0783-14
York Project (SDG) No.: 16J0783 **Client Project ID:** 95th str sewer/water OEGS 15-008-0265 **Matrix:** Soil **Collection Date/Time:** October 21, 2016 8:25 am **Date Received:** 10/21/2016

Total Solids

Log-in Notes: VOA-CONT **Sample Notes:**

Sample Prepared by Method: % Solids Prep

CAS No.	Parameter	Result	Flag	Units	LOD/MDL	Reported to LOQ	Dilution	Reference Method	Date/Time Prepared	Date/Time Analyzed	Analyst
solids	* % Solids	96.9		%	0.100	0.100	1	SM 2540G Certifications: CTDOH	10/25/2016 08:57	10/25/2016 12:21	TJM

Sample Information

Client Sample ID: SB-05-3.5-4.0' DUP **York Sample ID:** 16J0783-15
York Project (SDG) No.: 16J0783 **Client Project ID:** 95th str sewer/water OEGS 15-008-0265 **Matrix:** Soil **Collection Date/Time:** October 21, 2016 8:30 am **Date Received:** 10/21/2016

Volatile Organics, 8260 - Comprehensive

Log-in Notes: VOA-CONT **Sample Notes:**

Sample Prepared by Method: EPA 5035A

CAS No.	Parameter	Result	Flag	Units	LOD/MDL	Reported to LOQ	Dilution	Reference Method	Date/Time Prepared	Date/Time Analyzed	Analyst
630-20-6	1,1,1,2-Tetrachloroethane	ND		mg/kg dry	0.0026	0.0052	1	EPA 8260C Certifications: CTDOH,NELAC-NY10854,NJDEP	10/26/2016 15:30	10/27/2016 04:22	BK
71-55-6	1,1,1-Trichloroethane	ND		mg/kg dry	0.0026	0.0052	1	EPA 8260C Certifications: CTDOH,NELAC-NY10854,NJDEP,PADEP	10/26/2016 15:30	10/27/2016 04:22	BK
79-34-5	1,1,2,2-Tetrachloroethane	ND		mg/kg dry	0.0026	0.0052	1	EPA 8260C Certifications: CTDOH,NELAC-NY10854,NJDEP,PADEP	10/26/2016 15:30	10/27/2016 04:22	BK
76-13-1	1,1,2-Trichloro-1,2,2-trifluoroethane (Freon 113)	ND		mg/kg dry	0.0026	0.0052	1	EPA 8260C Certifications: CTDOH,NELAC-NY10854,NJDEP	10/26/2016 15:30	10/27/2016 04:22	BK
79-00-5	1,1,2-Trichloroethane	ND		mg/kg dry	0.0026	0.0052	1	EPA 8260C Certifications: CTDOH,NELAC-NY10854,NJDEP,PADEP	10/26/2016 15:30	10/27/2016 04:22	BK
75-34-3	1,1-Dichloroethane	ND		mg/kg dry	0.0026	0.0052	1	EPA 8260C Certifications: CTDOH,NELAC-NY10854,NJDEP,PADEP	10/26/2016 15:30	10/27/2016 04:22	BK
75-35-4	1,1-Dichloroethylene	ND		mg/kg dry	0.0026	0.0052	1	EPA 8260C Certifications: CTDOH,NELAC-NY10854,NJDEP,PADEP	10/26/2016 15:30	10/27/2016 04:22	BK
87-61-6	1,2,3-Trichlorobenzene	ND		mg/kg dry	0.0026	0.0052	1	EPA 8260C Certifications: NELAC-NY10854,NJDEP	10/26/2016 15:30	10/27/2016 04:22	BK
96-18-4	1,2,3-Trichloropropane	ND		mg/kg dry	0.0026	0.0052	1	EPA 8260C Certifications: NELAC-NY10854,NJDEP	10/26/2016 15:30	10/27/2016 04:22	BK
120-82-1	1,2,4-Trichlorobenzene	ND		mg/kg dry	0.0026	0.0052	1	EPA 8260C Certifications: NELAC-NY10854,NJDEP	10/26/2016 15:30	10/27/2016 04:22	BK
95-63-6	1,2,4-Trimethylbenzene	ND		mg/kg dry	0.0026	0.0052	1	EPA 8260C Certifications: CTDOH,NELAC-NY10854,NJDEP	10/26/2016 15:30	10/27/2016 04:22	BK
96-12-8	1,2-Dibromo-3-chloropropane	ND		mg/kg dry	0.0026	0.0052	1	EPA 8260C Certifications: CTDOH,NELAC-NY10854,NJDEP	10/26/2016 15:30	10/27/2016 04:22	BK
106-93-4	1,2-Dibromoethane	ND		mg/kg dry	0.0026	0.0052	1	EPA 8260C Certifications: CTDOH,NELAC-NY10854,NJDEP	10/26/2016 15:30	10/27/2016 04:22	BK
95-50-1	1,2-Dichlorobenzene	ND		mg/kg dry	0.0026	0.0052	1	EPA 8260C Certifications: CTDOH,NELAC-NY10854,NJDEP,PADEP	10/26/2016 15:30	10/27/2016 04:22	BK

HAZ-258



Sample Information

Client Sample ID: SB-05-3.5-4.0' DUP

York Sample ID: 16J0783-15

York Project (SDG) No.
16J0783

Client Project ID
95th str sewer/water OEGS 15-008-0265

Matrix
Soil

Collection Date/Time
October 21, 2016 8:30 am

Date Received
10/21/2016

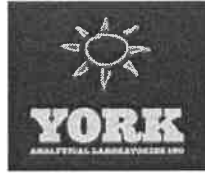
Volatile Organics, 8260 - Comprehensive

Log-in Notes: VOA-CONT Sample Notes:

Sample Prepared by Method: EPA 5035A

CAS No.	Parameter	Result	Flag	Units	Reported to LOD/MDL	LOQ	Dilution	Reference Method	Date/Time Prepared	Date/Time Analyzed	Analyst
107-06-2	1,2-Dichloroethane	ND		mg/kg dry	0.0026	0.0052	1	EPA 8260C Certifications: CTDOH,NELAC-NY10854,NJDEP,PADEP	10/26/2016 15:30	10/27/2016 04:22	BK
78-87-5	1,2-Dichloropropane	ND		mg/kg dry	0.0026	0.0052	1	EPA 8260C Certifications: CTDOH,NELAC-NY10854,NJDEP	10/26/2016 15:30	10/27/2016 04:22	BK
108-67-8	1,3,5-Trimethylbenzene	ND		mg/kg dry	0.0026	0.0052	1	EPA 8260C Certifications: CTDOH,NELAC-NY10854,NJDEP	10/26/2016 15:30	10/27/2016 04:22	BK
541-73-1	1,3-Dichlorobenzene	ND		mg/kg dry	0.0026	0.0052	1	EPA 8260C Certifications: CTDOH,NELAC-NY10854,NJDEP,PADEP	10/26/2016 15:30	10/27/2016 04:22	BK
106-46-7	1,4-Dichlorobenzene	ND		mg/kg dry	0.0026	0.0052	1	EPA 8260C Certifications: CTDOH,NELAC-NY10854,NJDEP,PADEP	10/26/2016 15:30	10/27/2016 04:22	BK
123-91-1	1,4-Dioxane	ND		mg/kg dry	0.052	0.10	1	EPA 8260C Certifications: NELAC-NY10854,NJDEP	10/26/2016 15:30	10/27/2016 04:22	BK
78-93-3	2-Butanone	ND		mg/kg dry	0.0026	0.0052	1	EPA 8260C Certifications: CTDOH,NELAC-NY10854,NJDEP	10/26/2016 15:30	10/27/2016 04:22	BK
78-6	2-Hexanone	ND		mg/kg dry	0.0026	0.0052	1	EPA 8260C Certifications: CTDOH,NELAC-NY10854,NJDEP	10/26/2016 15:30	10/27/2016 04:22	BK
108-10-1	4-Methyl-2-pentanone	ND		mg/kg dry	0.0026	0.0052	1	EPA 8260C Certifications: CTDOH,NELAC-NY10854,NJDEP	10/26/2016 15:30	10/27/2016 04:22	BK
67-64-1	Acetone	ND		mg/kg dry	0.0052	0.010	1	EPA 8260C Certifications: CTDOH,NELAC-NY10854,NJDEP	10/26/2016 15:30	10/27/2016 04:22	BK
107-02-8	Acrolein	ND		mg/kg dry	0.0052	0.010	1	EPA 8260C Certifications: CTDOH,NELAC-NY10854,NJDEP	10/26/2016 15:30	10/27/2016 04:22	BK
107-13-1	Acrylonitrile	ND		mg/kg dry	0.0026	0.0052	1	EPA 8260C Certifications: CTDOH,NELAC-NY10854,NJDEP	10/26/2016 15:30	10/27/2016 04:22	BK
71-43-2	Benzene	ND		mg/kg dry	0.0026	0.0052	1	EPA 8260C Certifications: CTDOH,NELAC-NY10854,NJDEP,PADEP	10/26/2016 15:30	10/27/2016 04:22	BK
74-97-5	Bromochloromethane	ND		mg/kg dry	0.0026	0.0052	1	EPA 8260C Certifications: NELAC-NY10854,NJDEP	10/26/2016 15:30	10/27/2016 04:22	BK
75-27-4	Bromodichloromethane	ND		mg/kg dry	0.0026	0.0052	1	EPA 8260C Certifications: CTDOH,NELAC-NY10854,NJDEP,PADEP	10/26/2016 15:30	10/27/2016 04:22	BK
75-25-2	Bromoform	ND		mg/kg dry	0.0026	0.0052	1	EPA 8260C Certifications: CTDOH,NELAC-NY10854,NJDEP,PADEP	10/26/2016 15:30	10/27/2016 04:22	BK
74-83-9	Bromomethane	ND		mg/kg dry	0.0026	0.0052	1	EPA 8260C Certifications: CTDOH,NELAC-NY10854,NJDEP,PADEP	10/26/2016 15:30	10/27/2016 04:22	BK
75-15-0	Carbon disulfide	ND		mg/kg dry	0.0026	0.0052	1	EPA 8260C Certifications: CTDOH,NELAC-NY10854,NJDEP	10/26/2016 15:30	10/27/2016 04:22	BK
56-23-5	Carbon tetrachloride	ND		mg/kg dry	0.0026	0.0052	1	EPA 8260C Certifications: CTDOH,NELAC-NY10854,NJDEP,PADEP	10/26/2016 15:30	10/27/2016 04:22	BK
108-90-7	Chlorobenzene	ND		mg/kg dry	0.0026	0.0052	1	EPA 8260C Certifications: CTDOH,NELAC-NY10854,NJDEP,PADEP	10/26/2016 15:30	10/27/2016 04:22	BK
75-00-3	Chloroethane	ND		mg/kg dry	0.0026	0.0052	1	EPA 8260C Certifications: CTDOH,NELAC-NY10854,NJDEP,PADEP	10/26/2016 15:30	10/27/2016 04:22	BK
66-66-3	Chloroform	ND		mg/kg dry	0.0026	0.0052	1	EPA 8260C Certifications: CTDOH,NELAC-NY10854,NJDEP,PADEP	10/26/2016 15:30	10/27/2016 04:22	BK

HAZ-259



Sample Information

Client Sample ID: SB-05-3.5-4.0' DUP

York Sample ID: 16J0783-15

York Project (SDG) No.
16J0783

Client Project ID
95th str sewer/water OEGS 15-008-0265

Matrix
Soil

Collection Date/Time
October 21, 2016 8:30 am

Date Received
10/21/2016

Volatile Organics, 8260 - Comprehensive

Log-in Notes: VOA-CONT **Sample Notes:**

Sample Prepared by Method: EPA 5035A

CAS No.	Parameter	Result	Flag	Units	Reported to LOD/MDL	LOQ	Dilution	Reference Method	Date/Time Prepared	Date/Time Analyzed	Analyst
74-87-3	Chloromethane	ND		mg/kg dry	0.0026	0.0052	1	EPA 8260C Certifications: CTDOH,NELAC-NY10854,NJDEP,PADEP	10/26/2016 15:30	10/27/2016 04:22	BK
156-59-2	cis-1,2-Dichloroethylene	ND		mg/kg dry	0.0026	0.0052	1	EPA 8260C Certifications: CTDOH,NELAC-NY10854,NJDEP	10/26/2016 15:30	10/27/2016 04:22	BK
10061-01-5	cis-1,3-Dichloropropylene	ND		mg/kg dry	0.0026	0.0052	1	EPA 8260C Certifications: CTDOH,NELAC-NY10854,NJDEP,PADEP	10/26/2016 15:30	10/27/2016 04:22	BK
110-82-7	Cyclohexane	ND		mg/kg dry	0.0026	0.0052	1	EPA 8260C Certifications: NELAC-NY10854,NJDEP	10/26/2016 15:30	10/27/2016 04:22	BK
124-48-1	Dibromochloromethane	ND		mg/kg dry	0.0026	0.0052	1	EPA 8260C Certifications: NELAC-NY10854,NJDEP,PADEP	10/26/2016 15:30	10/27/2016 04:22	BK
74-95-3	Dibromomethane	ND		mg/kg dry	0.0026	0.0052	1	EPA 8260C Certifications: NELAC-NY10854,NJDEP	10/26/2016 15:30	10/27/2016 04:22	BK
75-71-8	Dichlorodifluoromethane	ND		mg/kg dry	0.0026	0.0052	1	EPA 8260C Certifications: NELAC-NY10854,NJDEP	10/26/2016 15:30	10/27/2016 04:22	BK
100-41-4	Ethyl Benzene	ND		mg/kg dry	0.0026	0.0052	1	EPA 8260C Certifications: CTDOH,NELAC-NY10854,NJDEP,PADEP	10/26/2016 15:30	10/27/2016 04:22	BK
87-68-3	Hexachlorobutadiene	ND		mg/kg dry	0.0026	0.0052	1	EPA 8260C Certifications: NELAC-NY10854,NJDEP	10/26/2016 15:30	10/27/2016 04:22	BK
98-82-8	Isopropylbenzene	ND		mg/kg dry	0.0026	0.0052	1	EPA 8260C Certifications: CTDOH,NELAC-NY10854,NJDEP	10/26/2016 15:30	10/27/2016 04:22	BK
79-20-9	Methyl acetate	ND		mg/kg dry	0.0026	0.0052	1	EPA 8260C Certifications: NELAC-NY10854,NJDEP	10/26/2016 15:30	10/27/2016 04:22	BK
1634-04-4	Methyl tert-butyl ether (MTBE)	ND		mg/kg dry	0.0026	0.0052	1	EPA 8260C Certifications: CTDOH,NELAC-NY10854,NJDEP	10/26/2016 15:30	10/27/2016 04:22	BK
108-87-2	Methylcyclohexane	ND		mg/kg dry	0.0026	0.0052	1	EPA 8260C Certifications: NELAC-NY10854,NJDEP	10/26/2016 15:30	10/27/2016 04:22	BK
75-09-2	Methylene chloride	ND		mg/kg dry	0.0052	0.010	1	EPA 8260C Certifications: CTDOH,NELAC-NY10854,NJDEP,PADEP	10/26/2016 15:30	10/27/2016 04:22	BK
104-51-8	n-Butylbenzene	ND		mg/kg dry	0.0026	0.0052	1	EPA 8260C Certifications: CTDOH,NELAC-NY10854,NJDEP	10/26/2016 15:30	10/27/2016 04:22	BK
103-65-1	n-Propylbenzene	ND		mg/kg dry	0.0026	0.0052	1	EPA 8260C Certifications: CTDOH,NELAC-NY10854,NJDEP	10/26/2016 15:30	10/27/2016 04:22	BK
95-47-6	o-Xylene	ND		mg/kg dry	0.0026	0.0052	1	EPA 8260C Certifications: CTDOH,NELAC-NY10854	10/26/2016 15:30	10/27/2016 04:22	BK
179601-23-1	p- & m- Xylenes	ND		mg/kg dry	0.0052	0.010	1	EPA 8260C Certifications: CTDOH,NELAC-NY10854	10/26/2016 15:30	10/27/2016 04:22	BK
99-87-6	p-Isopropyltoluene	ND		mg/kg dry	0.0026	0.0052	1	EPA 8260C Certifications: CTDOH,NELAC-NY10854,NJDEP	10/26/2016 15:30	10/27/2016 04:22	BK
135-98-8	sec-Butylbenzene	ND		mg/kg dry	0.0026	0.0052	1	EPA 8260C Certifications: CTDOH,NELAC-NY10854,NJDEP	10/26/2016 15:30	10/27/2016 04:22	BK
100-42-5	Styrene	ND		mg/kg dry	0.0026	0.0052	1	EPA 8260C Certifications: CTDOH,NELAC-NY10854,NJDEP	10/26/2016 15:30	10/27/2016 04:22	BK
75-65-0	tert-Butyl alcohol (TBA)	ND		mg/kg dry	0.0026	0.0052	1	EPA 8260C Certifications: NELAC-NY10854,NJDEP	10/26/2016 15:30	10/27/2016 04:22	BK

HAZ-260



Sample Information

Client Sample ID: SB-05-3.5-4.0' DUP

York Sample ID: 16J0783-15

York Project (SDG) No.
16J0783

Client Project ID
95th str sewer/water OEGS 15-008-0265

Matrix
Soil

Collection Date/Time
October 21, 2016 8:30 am

Date Received
10/21/2016

Volatile Organics, 8260 - Comprehensive

Log-in Notes: VOA-CONT

Sample Notes:

Sample Prepared by Method: EPA 5035A

CAS No.	Parameter	Result	Flag	Units	Reported to LOD/MDL	LOQ	Dilution	Reference Method	Date/Time Prepared	Date/Time Analyzed	Analyst
98-06-6	tert-Butylbenzene	ND		mg/kg dry	0.0026	0.0052	1	EPA 8260C Certifications: CTDOH,NELAC-NY10854,NJDEP	10/26/2016 15:30	10/27/2016 04:22	BK
127-18-4	Tetrachloroethylene	ND		mg/kg dry	0.0026	0.0052	1	EPA 8260C Certifications: CTDOH,NELAC-NY10854,NJDEP,PADEP	10/26/2016 15:30	10/27/2016 04:22	BK
108-88-3	Toluene	ND		mg/kg dry	0.0026	0.0052	1	EPA 8260C Certifications: CTDOH,NELAC-NY10854,NJDEP,PADEP	10/26/2016 15:30	10/27/2016 04:22	BK
156-60-5	trans-1,2-Dichloroethylene	ND		mg/kg dry	0.0026	0.0052	1	EPA 8260C Certifications: CTDOH,NELAC-NY10854,NJDEP	10/26/2016 15:30	10/27/2016 04:22	BK
10061-02-6	trans-1,3-Dichloropropylene	ND		mg/kg dry	0.0026	0.0052	1	EPA 8260C Certifications: CTDOH,NELAC-NY10854,NJDEP,PADEP	10/26/2016 15:30	10/27/2016 04:22	BK
79-01-6	Trichloroethylene	ND		mg/kg dry	0.0026	0.0052	1	EPA 8260C Certifications: CTDOH,NELAC-NY10854,NJDEP,PADEP	10/26/2016 15:30	10/27/2016 04:22	BK
75-69-4	Trichlorofluoromethane	ND		mg/kg dry	0.0026	0.0052	1	EPA 8260C Certifications: CTDOH,NELAC-NY10854,NJDEP,PADEP	10/26/2016 15:30	10/27/2016 04:22	BK
75-01-4	Vinyl Chloride	ND		mg/kg dry	0.0026	0.0052	1	EPA 8260C Certifications: CTDOH,NELAC-NY10854,NJDEP,PADEP	10/26/2016 15:30	10/27/2016 04:22	BK
1330-20-7	Xylenes, Total	ND		mg/kg dry	0.0078	0.016	1	EPA 8260C Certifications: CTDOH,NELAC-NY10854,NJDEP,PADEP	10/26/2016 15:30	10/27/2016 04:22	BK
	Surrogate Recoveries	Result				Acceptance Range					
17060-07-0	Surrogate: 1,2-Dichloroethane-d4	108 %				77-125					
2037-26-5	Surrogate: Toluene-d8	99.4 %				85-120					
460-00-4	Surrogate: p-Bromofluorobenzene	87.0 %				76-130					

Semi-Volatiles, 8270 - Comprehensive

Log-in Notes: VOA-CONT

Sample Notes:

Sample Prepared by Method: EPA 3550C

CAS No.	Parameter	Result	Flag	Units	Reported to LOD/MDL	LOQ	Dilution	Reference Method	Date/Time Prepared	Date/Time Analyzed	Analyst
92-52-4	1,1'-Biphenyl	ND		mg/kg dry	0.0434	0.0865	2	EPA 8270D Certifications: NELAC-NY10854,NJDEP,PADEP	10/25/2016 14:08	10/26/2016 14:34	KH
95-94-3	1,2,4,5-Tetrachlorobenzene	ND		mg/kg dry	0.0865	0.173	2	EPA 8270D Certifications: NELAC-NY10854,NJDEP,PADEP	10/25/2016 14:08	10/26/2016 14:34	KH
120-82-1	1,2,4-Trichlorobenzene	ND		mg/kg dry	0.0434	0.0865	2	EPA 8270D Certifications: CTDOH,NELAC-NY10854,NJDEP,PADEP	10/25/2016 14:08	10/26/2016 14:34	KH
95-50-1	1,2-Dichlorobenzene	ND		mg/kg dry	0.0434	0.0865	2	EPA 8270D Certifications: NELAC-NY10854,PADEP	10/25/2016 14:08	10/26/2016 14:34	KH
122-66-7	1,2-Diphenylhydrazine (as Azobenzene)	ND		mg/kg dry	0.0434	0.0865	2	EPA 8270D Certifications: NELAC-NY10854,NJDEP,PADEP	10/25/2016 14:08	10/26/2016 14:34	KH
541-73-1	1,3-Dichlorobenzene	ND		mg/kg dry	0.0434	0.0865	2	EPA 8270D Certifications: NELAC-NY10854,PADEP	10/25/2016 14:08	10/26/2016 14:34	KH
74-46-7	1,4-Dichlorobenzene	ND		mg/kg dry	0.0434	0.0865	2	EPA 8270D Certifications: NELAC-NY10854,PADEP	10/25/2016 14:08	10/26/2016 14:34	KH
58-90-2	2,3,4,6-Tetrachlorophenol	ND		mg/kg dry	0.0865	0.173	2	EPA 8270D Certifications: NELAC-NY10854,NJDEP,PADEP	10/25/2016 14:08	10/26/2016 14:34	KH



Sample Information

Client Sample ID: SB-05-3.5-4.0' DUP

York Sample ID: 16J0783-15

York Project (SDG) No.
16J0783

Client Project ID
95th str sewer/water OEGS 15-008-0265

Matrix
Soil

Collection Date/Time
October 21, 2016 8:30 am

Date Received
10/21/2016

Semi-Volatiles, 8270 - Comprehensive

Log-in Notes: VOA-CONT

Sample Notes:

Sample Prepared by Method: EPA 3550C

CAS No.	Parameter	Result	Flag	Units	Reported to LOD/MDL	LOQ	Dilution	Reference Method	Date/Time Prepared	Date/Time Analyzed	Analyst
95-95-4	2,4,5-Trichlorophenol	ND		mg/kg dry	0.0434	0.0865	2	EPA 8270D Certifications: CTDOH,NELAC-NY10854,NJDEP,PADEP	10/25/2016 14:08	10/26/2016 14:34	KH
88-06-2	2,4,6-Trichlorophenol	ND		mg/kg dry	0.0434	0.0865	2	EPA 8270D Certifications: CTDOH,NELAC-NY10854,NJDEP,PADEP	10/25/2016 14:08	10/26/2016 14:34	KH
120-83-2	2,4-Dichlorophenol	ND		mg/kg dry	0.0434	0.0865	2	EPA 8270D Certifications: CTDOH,NELAC-NY10854,NJDEP,PADEP	10/25/2016 14:08	10/26/2016 14:34	KH
105-67-9	2,4-Dimethylphenol	ND		mg/kg dry	0.0434	0.0865	2	EPA 8270D Certifications: CTDOH,NELAC-NY10854,NJDEP,PADEP	10/25/2016 14:08	10/26/2016 14:34	KH
51-28-5	2,4-Dinitrophenol	ND		mg/kg dry	0.0865	0.173	2	EPA 8270D Certifications: CTDOH,NELAC-NY10854,NJDEP,PADEP	10/25/2016 14:08	10/26/2016 14:34	KH
121-14-2	2,4-Dinitrotoluene	ND		mg/kg dry	0.0434	0.0865	2	EPA 8270D Certifications: CTDOH,NELAC-NY10854,NJDEP,PADEP	10/25/2016 14:08	10/26/2016 14:34	KH
606-20-2	2,6-Dinitrotoluene	ND		mg/kg dry	0.0434	0.0865	2	EPA 8270D Certifications: CTDOH,NELAC-NY10854,NJDEP,PADEP	10/25/2016 14:08	10/26/2016 14:34	KH
91-58-7	2-Chloronaphthalene	ND		mg/kg dry	0.0434	0.0865	2	EPA 8270D Certifications: CTDOH,NELAC-NY10854,NJDEP,PADEP	10/25/2016 14:08	10/26/2016 14:34	KH
95-57-8	2-Chlorophenol	ND		mg/kg dry	0.0434	0.0865	2	EPA 8270D Certifications: CTDOH,NELAC-NY10854,NJDEP,PADEP	10/25/2016 14:08	10/26/2016 14:34	KH
91-57-6	2-Methylnaphthalene	ND		mg/kg dry	0.0434	0.0865	2	EPA 8270D Certifications: CTDOH,NELAC-NY10854,NJDEP,PADEP	10/25/2016 14:08	10/26/2016 14:34	KH
95-48-7	2-Methylphenol	ND		mg/kg dry	0.0434	0.0865	2	EPA 8270D Certifications: CTDOH,NELAC-NY10854,NJDEP,PADEP	10/25/2016 14:08	10/26/2016 14:34	KH
88-74-4	2-Nitroaniline	ND		mg/kg dry	0.0865	0.173	2	EPA 8270D Certifications: CTDOH,NELAC-NY10854,NJDEP,PADEP	10/25/2016 14:08	10/26/2016 14:34	KH
88-75-5	2-Nitrophenol	ND		mg/kg dry	0.0434	0.0865	2	EPA 8270D Certifications: CTDOH,NELAC-NY10854,NJDEP,PADEP	10/25/2016 14:08	10/26/2016 14:34	KH
65794-96-9	3- & 4-Methylphenols	ND		mg/kg dry	0.0434	0.0865	2	EPA 8270D Certifications: CTDOH,NELAC-NY10854,NJDEP,PADEP	10/25/2016 14:08	10/26/2016 14:34	KH
91-94-1	3,3'-Dichlorobenzidine	ND		mg/kg dry	0.0434	0.0865	2	EPA 8270D Certifications: NELAC-NY10854,NJDEP,PADEP	10/25/2016 14:08	10/26/2016 14:34	KH
99-09-2	3-Nitroaniline	ND		mg/kg dry	0.0865	0.173	2	EPA 8270D Certifications: CTDOH,NELAC-NY10854,NJDEP,PADEP	10/25/2016 14:08	10/26/2016 14:34	KH
534-52-1	4,6-Dinitro-2-methylphenol	ND		mg/kg dry	0.0865	0.173	2	EPA 8270D Certifications: CTDOH,NELAC-NY10854,NJDEP,PADEP	10/25/2016 14:08	10/26/2016 14:34	KH
101-55-3	4-Bromophenyl phenyl ether	ND		mg/kg dry	0.0434	0.0865	2	EPA 8270D Certifications: CTDOH,NELAC-NY10854,NJDEP,PADEP	10/25/2016 14:08	10/26/2016 14:34	KH
59-50-7	4-Chloro-3-methylphenol	ND		mg/kg dry	0.0434	0.0865	2	EPA 8270D Certifications: CTDOH,NELAC-NY10854,NJDEP,PADEP	10/25/2016 14:08	10/26/2016 14:34	KH
106-47-8	4-Chloroaniline	ND		mg/kg dry	0.0434	0.0865	2	EPA 8270D Certifications: CTDOH,NELAC-NY10854,NJDEP,PADEP	10/25/2016 14:08	10/26/2016 14:34	KH
7005-72-3	4-Chlorophenyl phenyl ether	ND		mg/kg dry	0.0434	0.0865	2	EPA 8270D Certifications: CTDOH,NELAC-NY10854,NJDEP,PADEP	10/25/2016 14:08	10/26/2016 14:34	KH
100-01-6	4-Nitroaniline	ND		mg/kg dry	0.0865	0.173	2	EPA 8270D Certifications: CTDOH,NELAC-NY10854,NJDEP,PADEP	10/25/2016 14:08	10/26/2016 14:34	KH

HAZ-262



Sample Information

Client Sample ID: SB-05-3.5-4.0' DUP

York Sample ID: 16J0783-15

York Project (SDG) No.
16J0783

Client Project ID
95th str sewer/water OEGS 15-008-0265

Matrix
Soil

Collection Date/Time
October 21, 2016 8:30 am

Date Received
10/21/2016

Semi-Volatiles, 8270 - Comprehensive

Log-in Notes: VOA-CONT

Sample Notes:

Sample Prepared by Method: EPA 3550C

CAS No.	Parameter	Result	Flag	Units	Reported to LOD/MDL	LOQ	Dilution	Reference Method	Date/Time Prepared	Date/Time Analyzed	Analyst
100-02-7	4-Nitrophenol	ND		mg/kg dry	0.0865	0.173	2	EPA 8270D Certifications: CTDOH,NELAC-NY10854,NJDEP,PADEP	10/25/2016 14:08	10/26/2016 14:34	KH
83-32-9	Acenaphthene	ND		mg/kg dry	0.0434	0.0865	2	EPA 8270D Certifications: CTDOH,NELAC-NY10854,NJDEP,PADEP	10/25/2016 14:08	10/26/2016 14:34	KH
208-96-8	Acenaphthylene	ND		mg/kg dry	0.0434	0.0865	2	EPA 8270D Certifications: CTDOH,NELAC-NY10854,NJDEP,PADEP	10/25/2016 14:08	10/26/2016 14:34	KH
98-86-2	Acetophenone	ND		mg/kg dry	0.0434	0.0865	2	EPA 8270D Certifications: NELAC-NY10854,NJDEP,PADEP	10/25/2016 14:08	10/26/2016 14:34	KH
62-53-3	Aniline	ND		mg/kg dry	0.173	0.346	2	EPA 8270D Certifications: NELAC-NY10854,NJDEP,PADEP	10/25/2016 14:08	10/26/2016 14:34	KH
120-12-7	Anthracene	ND		mg/kg dry	0.0434	0.0865	2	EPA 8270D Certifications: CTDOH,NELAC-NY10854,NJDEP,PADEP	10/25/2016 14:08	10/26/2016 14:34	KH
1912-24-9	Atrazine	ND		mg/kg dry	0.0434	0.0865	2	EPA 8270D Certifications: NELAC-NY10854,NJDEP,PADEP	10/25/2016 14:08	10/26/2016 14:34	KH
52-7	Benzaldehyde	ND		mg/kg dry	0.0434	0.0865	2	EPA 8270D Certifications: NELAC-NY10854,NJDEP,PADEP	10/25/2016 14:08	10/26/2016 14:34	KH
92-87-5	Benzidine	ND		mg/kg dry	0.173	0.346	2	EPA 8270D Certifications: CTDOH,NELAC-NY10854,PADEP	10/25/2016 14:08	10/26/2016 14:34	KH
56-55-3	Benzo(a)anthracene	ND		mg/kg dry	0.0434	0.0865	2	EPA 8270D Certifications: CTDOH,NELAC-NY10854,NJDEP,PADEP	10/25/2016 14:08	10/26/2016 14:34	KH
50-32-8	Benzo(a)pyrene	ND		mg/kg dry	0.0434	0.0865	2	EPA 8270D Certifications: CTDOH,NELAC-NY10854,NJDEP,PADEP	10/25/2016 14:08	10/26/2016 14:34	KH
205-99-2	Benzo(b)fluoranthene	ND		mg/kg dry	0.0434	0.0865	2	EPA 8270D Certifications: CTDOH,NELAC-NY10854,NJDEP,PADEP	10/25/2016 14:08	10/26/2016 14:34	KH
191-24-2	Benzo(g,h,i)perylene	ND		mg/kg dry	0.0434	0.0865	2	EPA 8270D Certifications: CTDOH,NELAC-NY10854,NJDEP,PADEP	10/25/2016 14:08	10/26/2016 14:34	KH
207-08-9	Benzo(k)fluoranthene	ND		mg/kg dry	0.0434	0.0865	2	EPA 8270D Certifications: CTDOH,NELAC-NY10854,NJDEP,PADEP	10/25/2016 14:08	10/26/2016 14:34	KH
65-85-0	Benzoic acid	ND		mg/kg dry	0.0434	0.0865	2	EPA 8270D Certifications: NELAC-NY10854,NJDEP,PADEP	10/25/2016 14:08	10/26/2016 14:34	KH
100-51-6	Benzyl alcohol	ND		mg/kg dry	0.0434	0.0865	2	EPA 8270D Certifications: NELAC-NY10854,NJDEP,PADEP	10/25/2016 14:08	10/26/2016 14:34	KH
85-68-7	Benzyl butyl phthalate	ND		mg/kg dry	0.0434	0.0865	2	EPA 8270D Certifications: CTDOH,NELAC-NY10854,NJDEP,PADEP	10/25/2016 14:08	10/26/2016 14:34	KH
111-91-1	Bis(2-chloroethoxy)methane	ND		mg/kg dry	0.0434	0.0865	2	EPA 8270D Certifications: CTDOH,NELAC-NY10854,NJDEP,PADEP	10/25/2016 14:08	10/26/2016 14:34	KH
111-44-4	Bis(2-chloroethyl)ether	ND		mg/kg dry	0.0434	0.0865	2	EPA 8270D Certifications: CTDOH,NELAC-NY10854,NJDEP,PADEP	10/25/2016 14:08	10/26/2016 14:34	KH
108-60-1	Bis(2-chloroisopropyl)ether	ND		mg/kg dry	0.0434	0.0865	2	EPA 8270D Certifications: CTDOH,NELAC-NY10854,NJDEP,PADEP	10/25/2016 14:08	10/26/2016 14:34	KH
117-81-7	Bis(2-ethylhexyl)phthalate	ND		mg/kg dry	0.0434	0.0865	2	EPA 8270D Certifications: CTDOH,NELAC-NY10854,NJDEP,PADEP	10/25/2016 14:08	10/26/2016 14:34	KH
60-2	Caprolactam	ND		mg/kg dry	0.0865	0.173	2	EPA 8270D Certifications: NELAC-NY10854,NJDEP,PADEP	10/25/2016 14:08	10/26/2016 14:34	KH



Sample Information

Client Sample ID: SB-05-3,5-4.0' DUP

York Sample ID: 16J0783-15

York Project (SDG) No.
16J0783

Client Project ID
95th str sewer/water OEGS 15-008-0265

Matrix
Soil

Collection Date/Time
October 21, 2016 8:30 am

Date Received
10/21/2016

Semi-Volatiles, 8270 - Comprehensive

Log-in Notes: VOA-CONT

Sample Notes:

Sample Prepared by Method: EPA 3550C

CAS No.	Parameter	Result	Flag	Units	Reported to LOD/MDL	LOQ	Dilution	Reference Method	Date/Time Prepared	Date/Time Analyzed	Analyst
86-74-8	Carbazole	ND		mg/kg dry	0.0434	0.0865	2	EPA 8270D Certifications: CTDOH,NELAC-NY10854,NJDEP,PADEP	10/25/2016 14:08	10/26/2016 14:34	KH
218-01-9	Chrysene	ND		mg/kg dry	0.0434	0.0865	2	EPA 8270D Certifications: CTDOH,NELAC-NY10854,NJDEP,PADEP	10/25/2016 14:08	10/26/2016 14:34	KH
53-70-3	Dibenzo(a,h)anthracene	ND		mg/kg dry	0.0434	0.0865	2	EPA 8270D Certifications: CTDOH,NELAC-NY10854,NJDEP,PADEP	10/25/2016 14:08	10/26/2016 14:34	KH
132-64-9	Dibenzofuran	ND		mg/kg dry	0.0434	0.0865	2	EPA 8270D Certifications: CTDOH,NELAC-NY10854,NJDEP,PADEP	10/25/2016 14:08	10/26/2016 14:34	KH
84-66-2	Diethyl phthalate	ND		mg/kg dry	0.0434	0.0865	2	EPA 8270D Certifications: CTDOH,NELAC-NY10854,NJDEP,PADEP	10/25/2016 14:08	10/26/2016 14:34	KH
131-11-3	Dimethyl phthalate	ND		mg/kg dry	0.0434	0.0865	2	EPA 8270D Certifications: CTDOH,NELAC-NY10854,NJDEP,PADEP	10/25/2016 14:08	10/26/2016 14:34	KH
84-74-2	Di-n-butyl phthalate	ND		mg/kg dry	0.0434	0.0865	2	EPA 8270D Certifications: CTDOH,NELAC-NY10854,NJDEP,PADEP	10/25/2016 14:08	10/26/2016 14:34	KH
117-84-0	Di-n-octyl phthalate	ND		mg/kg dry	0.0434	0.0865	2	EPA 8270D Certifications: CTDOH,NELAC-NY10854,NJDEP,PADEP	10/25/2016 14:08	10/26/2016 14:34	KH
206-44-0	Fluoranthene	ND		mg/kg dry	0.0434	0.0865	2	EPA 8270D Certifications: CTDOH,NELAC-NY10854,NJDEP,PADEP	10/25/2016 14:08	10/26/2016 14:34	KH
86-73-7	Fluorene	ND		mg/kg dry	0.0434	0.0865	2	EPA 8270D Certifications: NELAC-NY10854,NJDEP,PADEP	10/25/2016 14:08	10/26/2016 14:34	KH
118-74-1	Hexachlorobenzene	ND		mg/kg dry	0.0434	0.0865	2	EPA 8270D Certifications: CTDOH,NELAC-NY10854,NJDEP,PADEP	10/25/2016 14:08	10/26/2016 14:34	KH
87-68-3	Hexachlorobutadiene	ND		mg/kg dry	0.0434	0.0865	2	EPA 8270D Certifications: CTDOH,NELAC-NY10854,NJDEP,PADEP	10/25/2016 14:08	10/26/2016 14:34	KH
77-47-4	Hexachlorocyclopentadiene	ND		mg/kg dry	0.0434	0.0865	2	EPA 8270D Certifications: CTDOH,NELAC-NY10854,NJDEP,PADEP	10/25/2016 14:08	10/26/2016 14:34	KH
67-72-1	Hexachloroethane	ND		mg/kg dry	0.0434	0.0865	2	EPA 8270D Certifications: CTDOH,NELAC-NY10854,NJDEP,PADEP	10/25/2016 14:08	10/26/2016 14:34	KH
193-39-5	Indeno(1,2,3-cd)pyrene	ND		mg/kg dry	0.0434	0.0865	2	EPA 8270D Certifications: CTDOH,NELAC-NY10854,NJDEP,PADEP	10/25/2016 14:08	10/26/2016 14:34	KH
78-59-1	Isophorone	ND		mg/kg dry	0.0434	0.0865	2	EPA 8270D Certifications: CTDOH,NELAC-NY10854,NJDEP,PADEP	10/25/2016 14:08	10/26/2016 14:34	KH
91-20-3	Naphthalene	ND		mg/kg dry	0.0434	0.0865	2	EPA 8270D Certifications: CTDOH,NELAC-NY10854,NJDEP,PADEP	10/25/2016 14:08	10/26/2016 14:34	KH
98-95-3	Nitrobenzene	ND		mg/kg dry	0.0434	0.0865	2	EPA 8270D Certifications: CTDOH,NELAC-NY10854,NJDEP,PADEP	10/25/2016 14:08	10/26/2016 14:34	KH
62-75-9	N-Nitrosodimethylamine	ND		mg/kg dry	0.0434	0.0865	2	EPA 8270D Certifications: CTDOH,NELAC-NY10854,NJDEP,PADEP	10/25/2016 14:08	10/26/2016 14:34	KH
621-64-7	N-nitroso-di-n-propylamine	ND		mg/kg dry	0.0434	0.0865	2	EPA 8270D Certifications: CTDOH,NELAC-NY10854,NJDEP,PADEP	10/25/2016 14:08	10/26/2016 14:34	KH
86-30-6	N-Nitrosodiphenylamine	ND		mg/kg dry	0.0434	0.0865	2	EPA 8270D Certifications: CTDOH,NELAC-NY10854,NJDEP,PADEP	10/25/2016 14:08	10/26/2016 14:34	KH
87-86-5	Pentachlorophenol	ND		mg/kg dry	0.0434	0.0865	2	EPA 8270D Certifications: CTDOH,NELAC-NY10854,NJDEP,PADEP	10/25/2016 14:08	10/26/2016 14:34	KH

HAZ-264



Sample Information

Client Sample ID: SB-05-3.5-4.0' DUP

York Sample ID: 16J0783-15

York Project (SDG) No. 16J0783

Client Project ID 95th str sewer/water OEGS 15-008-0265

Matrix Soil

Collection Date/Time October 21, 2016 8:30 am

Date Received 10/21/2016

Semi-Volatiles, 8270 - Comprehensive

Log-in Notes: VOA-CONT

Sample Notes:

Sample Prepared by Method: EPA 3550C

Table with columns: CAS No., Parameter, Result, Flag, Units, Reported to LOD/MDL, LOQ, Dilution, Reference Method, Date/Time Prepared, Date/Time Analyzed, Analyst. Includes rows for Phenanthrene, Phenol, Pyrene, and Surrogate Recoveries.

Pesticides, 8081 target list

Log-in Notes: VOA-CONT

Sample Notes:

Sample Prepared by Method: EPA 3550C

Table with columns: CAS No., Parameter, Result, Flag, Units, LOD/MDL, Reported to LOQ, Dilution, Reference Method, Date/Time Prepared, Date/Time Analyzed, Analyst. Includes rows for 4,4'-DDD, 4,4'-DDE, 4,4'-DDT, Aldrin, alpha-BHC, alpha-Chlordane, beta-BHC, Chlordane, total, delta-BHC, Dieldrin, Endosulfan I, and Endosulfan II.

HAZ-265



Sample Information

Client Sample ID: SB-05-3.5-4.0' DUP

York Sample ID: 16J0783-15

York Project (SDG) No. 16J0783

Client Project ID 95th str sewer/water OEGS 15-008-0265

Matrix Soil

Collection Date/Time October 21, 2016 8:30 am

Date Received 10/21/2016

Pesticides, 8081 target list

Log-in Notes: VOA-CONT

Sample Notes:

Sample Prepared by Method: EPA 3550C

Table with 12 columns: CAS No., Parameter, Result, Flag, Units, LOD/MDL, Reported to LOQ, Dilution, Reference Method, Date/Time Prepared, Date/Time Analyzed, Analyst. Includes rows for Endosulfan sulfate, Endrin, Heptachlor, etc., and a Surrogate Recoveries section.

Polychlorinated Biphenyls (PCB)

Log-in Notes: VOA-CONT

Sample Notes:

Sample Prepared by Method: EPA 3550C

Table with 12 columns: CAS No., Parameter, Result, Flag, Units, LOD/MDL, Reported to LOQ, Dilution, Reference Method, Date/Time Prepared, Date/Time Analyzed, Analyst. Includes rows for Aroclor 1016, 1221, 1232, 1242, 1248, 1254, 1260.

HAZ-266



Sample Information

Client Sample ID: SB-05-3.5-4.0' DUP

York Sample ID: 16J0783-15

York Project (SDG) No.
16J0783

Client Project ID
95th str sewer/water OEGS 15-008-0265

Matrix
Soil

Collection Date/Time
October 21, 2016 8:30 am

Date Received
10/21/2016

Polychlorinated Biphenyls (PCB)

Log-in Notes: VOA-CONT **Sample Notes:**

Sample Prepared by Method: EPA 3550C

CAS No.	Parameter	Result	Flag	Units	LOD/MDL	Reported to LOQ	Dilution	Reference Method	Date/Time Prepared	Date/Time Analyzed	Analyst
1336-36-3	* Total PCBs	ND		mg/kg dry	0.0173	0.0173	1	EPA 8082A Certifications:	10/25/2016 07:10	10/25/2016 23:36	AMC
	Surrogate Recoveries	Result						Acceptance Range			
877-09-8	Surrogate: Tetrachloro-m-xylene	103 %						30-140			
2051-24-3	Surrogate: Decachlorobiphenyl	102 %						30-140			

Metals, Target Analyte

Log-in Notes: VOA-CONT **Sample Notes:**

Sample Prepared by Method: EPA 3050B

CAS No.	Parameter	Result	Flag	Units	LOD/MDL	Reported to LOQ	Dilution	Reference Method	Date/Time Prepared	Date/Time Analyzed	Analyst
7429-90-5	Aluminum	2040		mg/kg dry	5.19	5.19	1	EPA 6010C Certifications: CTDOH,NELAC-NY10854,NJDEP,PADEP	10/24/2016 11:09	10/24/2016 21:52	KV
7429-90-5	Antimony	ND		mg/kg dry	0.519	0.519	1	EPA 6010C Certifications: CTDOH,NELAC-NY10854,NJDEP,PADEP	10/24/2016 11:09	10/24/2016 21:52	KV
7440-38-2	Arsenic	3.67		mg/kg dry	1.04	1.04	1	EPA 6010C Certifications: CTDOH,NELAC-NY10854,NJDEP,PADEP	10/24/2016 11:09	10/24/2016 21:52	KV
7440-39-3	Barium	6.81		mg/kg dry	1.04	1.04	1	EPA 6010C Certifications: CTDOH,NELAC-NY10854,NJDEP,PADEP	10/24/2016 11:09	10/24/2016 21:52	KV
7440-41-7	Beryllium	ND		mg/kg dry	0.104	0.104	1	EPA 6010C Certifications: CTDOH,NELAC-NY10854,NJDEP,PADEP	10/24/2016 11:09	10/24/2016 21:52	KV
7440-43-9	Cadmium	ND		mg/kg dry	0.311	0.311	1	EPA 6010C Certifications: CTDOH,NELAC-NY10854,NJDEP,PADEP	10/24/2016 11:09	10/24/2016 21:52	KV
7440-70-2	Calcium	532		mg/kg dry	0.519	5.19	1	EPA 6010C Certifications: CTDOH,NELAC-NY10854,NJDEP,PADEP	10/24/2016 11:09	10/24/2016 21:52	KV
7440-47-3	Chromium	5.42		mg/kg dry	0.519	0.519	1	EPA 6010C Certifications: CTDOH,NELAC-NY10854,NJDEP,PADEP	10/24/2016 11:09	10/24/2016 21:52	KV
7440-48-4	Cobalt	2.95		mg/kg dry	0.519	0.519	1	EPA 6010C Certifications: CTDOH,NELAC-NY10854,NJDEP,PADEP	10/24/2016 11:09	10/24/2016 21:52	KV
7440-50-8	Copper	4.88		mg/kg dry	0.519	0.519	1	EPA 6010C Certifications: CTDOH,NELAC-NY10854,NJDEP,PADEP	10/24/2016 11:09	10/24/2016 21:52	KV
7439-89-6	Iron	4610		mg/kg dry	2.07	2.07	1	EPA 6010C Certifications: CTDOH,NELAC-NY10854,NJDEP,PADEP	10/24/2016 11:09	10/24/2016 21:52	KV
7439-92-1	Lead	1.95		mg/kg dry	0.311	0.311	1	EPA 6010C Certifications: CTDOH,NELAC-NY10854,NJDEP,PADEP	10/24/2016 11:09	10/24/2016 21:52	KV
7439-95-4	Magnesium	1000		mg/kg dry	5.19	5.19	1	EPA 6010C Certifications: CTDOH,NELAC-NY10854,NJDEP,PADEP	10/24/2016 11:09	10/24/2016 21:52	KV
7439-96-5	Manganese	38.0		mg/kg dry	0.519	0.519	1	EPA 6010C Certifications: CTDOH,NELAC-NY10854,NJDEP,PADEP	10/24/2016 11:09	10/24/2016 21:52	KV
7440-02-0	Nickel	7.64		mg/kg dry	0.519	0.519	1	EPA 6010C Certifications: CTDOH,NELAC-NY10854,NJDEP,PADEP	10/24/2016 11:09	10/24/2016 21:52	KV
7440-09-7	Potassium	426		mg/kg dry	5.19	5.19	1	EPA 6010C Certifications: CTDOH,NELAC-NY10854,NJDEP,PADEP	10/24/2016 11:09	10/24/2016 21:52	KV
7440-49-2	Selenium	ND		mg/kg dry	1.04	1.04	1	EPA 6010C Certifications: CTDOH,NELAC-NY10854,NJDEP,PADEP	10/24/2016 11:09	10/24/2016 21:52	KV



Sample Information

Client Sample ID: SB-05-3.5-4.0' DUP **York Sample ID:** 16J0783-15
York Project (SDG) No. 16J0783 **Client Project ID** 95th str sewer/water OEGS 15-008-0265 **Matrix** Soil **Collection Date/Time** October 21, 2016 8:30 am **Date Received** 10/21/2016

Metals, Target Analyte

Log-in Notes: VOA-CONT **Sample Notes:**

Sample Prepared by Method: EPA 3050B

CAS No.	Parameter	Result	Flag	Units	LOD/MDL	Reported to LOQ	Dilution	Reference Method	Date/Time Prepared	Date/Time Analyzed	Analyst
7440-22-4	Silver	ND		mg/kg dry	0.519	0.519	1	EPA 6010C Certifications: CTDOH,NELAC-NY10854,NJDEP,PADEP	10/24/2016 11:09	10/24/2016 21:52	KV
7440-23-5	Sodium	159		mg/kg dry	10.4	10.4	1	EPA 6010C Certifications: CTDOH,NELAC-NY10854,NJDEP	10/24/2016 11:09	10/24/2016 21:52	KV
7440-28-0	Thallium	ND		mg/kg dry	1.04	1.04	1	EPA 6010C Certifications: CTDOH,NELAC-NY10854,NJDEP,PADEP	10/24/2016 11:09	10/24/2016 21:52	KV
7440-62-2	Vanadium	7.91		mg/kg dry	1.04	1.04	1	EPA 6010C Certifications: CTDOH,NELAC-NY10854,NJDEP,PADEP	10/24/2016 11:09	10/24/2016 21:52	KV
7440-66-6	Zinc	13.7		mg/kg dry	1.04	1.04	1	EPA 6010C Certifications: CTDOH,NELAC-NY10854,NJDEP,PADEP	10/24/2016 11:09	10/24/2016 21:52	KV

Mercury by 7473

Log-in Notes: VOA-CONT **Sample Notes:**

Sample Prepared by Method: EPA 7473 soil

CAS No.	Parameter	Result	Flag	Units	LOD/MDL	Reported to LOQ	Dilution	Reference Method	Date/Time Prepared	Date/Time Analyzed	Analyst
7439-97-6	Mercury	ND		mg/kg dry	0.0311	0.0311	1	EPA 7473 Certifications: CTDOH,NJDEP,NELAC-NY10854,PADEP	10/24/2016 06:31	10/24/2016 15:01	KV

Total Solids

Log-in Notes: VOA-CONT **Sample Notes:**

Sample Prepared by Method: % Solids Prep

CAS No.	Parameter	Result	Flag	Units	LOD/MDL	Reported to LOQ	Dilution	Reference Method	Date/Time Prepared	Date/Time Analyzed	Analyst
solids	* % Solids	96.4		%	0.100	0.100	1	SM 2540G Certifications: CTDOH	10/25/2016 08:57	10/25/2016 12:21	TJM

Sample Information

Client Sample ID: SB-05-COMP **York Sample ID:** 16J0783-16
York Project (SDG) No. 16J0783 **Client Project ID** 95th str sewer/water OEGS 15-008-0265 **Matrix** Soil **Collection Date/Time** October 20, 2016 8:35 am **Date Received** 10/21/2016

Total Petroleum Hydrocarbons-DRO (C10-C28)

Log-in Notes: **Sample Notes:**

Sample Prepared by Method: EPA 3550C

CAS No.	Parameter	Result	Flag	Units	LOD/MDL	Reported to LOQ	Dilution	Reference Method	Date/Time Prepared	Date/Time Analyzed	Analyst
	Total Petroleum Hydrocarbons-DRO	24.4		mg/kg dry	3.74	11.0	1	EPA 8015D Certifications: NELAC-NY10854,NJDEP,PADEP	10/25/2016 14:10	10/26/2016 23:37	AMC
	Surrogate Recoveries	Result		Acceptance Range							
638-68-6	Surrogate: Triacontane	64.9 %		30-150							



Sample Information

Client Sample ID: SB-05-COMP **York Sample ID:** 16J0783-16
York Project (SDG) No.: 16J0783 **Client Project ID:** 95th str sewer/water OEGS 15-008-0265
Matrix: Soil **Collection Date/Time:** October 20, 2016 8:35 am
Date Received: 10/21/2016

Total Petroleum Hydrocarbons-GRO (C5-C10)

Log-in Notes:

Sample Notes: VOA-CONT

Sample Prepared by Method: EPA 5035A

CAS No.	Parameter	Result	Flag	Units	LOD/MDL	Reported to LOQ	Dilution	Reference Method	Date/Time Prepared	Date/Time Analyzed	Analyst
	Total Petroleum Hydrocarbons-GRO	ND		mg/kg dry	44.0	88.0	100	EPA 8015D Certifications: NELAC-NY10854,NJDEP,PADEP	10/27/2016 12:16	10/27/2016 20:46	OW
	Surrogate Recoveries	Result				Acceptance Range					
460-00-4	Surrogate: p-Bromofluorobenzene	91.1 %				70-130					

Metals, TCLP RCRA

Log-in Notes:

Sample Notes:

Sample Prepared by Method: EPA 3015A/1311

CAS No.	Parameter	Result	Flag	Units	LOD/MDL	Reported to LOQ	Dilution	Reference Method	Date/Time Prepared	Date/Time Analyzed	Analyst
7440-38-2	Arsenic	ND		mg/L	0.004	0.004	1	EPA 6010C/1311 Certifications: CTDOH,NELAC-NY10854,NJDEP,PADEP	10/25/2016 12:41	10/25/2016 20:57	KV
7440-39-3	Barium	0.138		mg/L	0.011	0.011	1	EPA 6010C/1311 Certifications: CTDOH,NELAC-NY10854,NJDEP,PADEP	10/25/2016 12:41	10/25/2016 20:57	KV
7440-43-9	Cadmium	ND		mg/L	0.003	0.003	1	EPA 6010C/1311 Certifications: CTDOH,NELAC-NY10854,NJDEP,PADEP	10/25/2016 12:41	10/25/2016 20:57	KV
7440-47-3	Chromium	ND		mg/L	0.006	0.006	1	EPA 6010C/1311 Certifications: CTDOH,NELAC-NY10854,NJDEP,PADEP	10/25/2016 12:41	10/25/2016 20:57	KV
7439-92-1	Lead	ND		mg/L	0.003	0.003	1	EPA 6010C/1311 Certifications: CTDOH,NELAC-NY10854,NJDEP,PADEP	10/25/2016 12:41	10/25/2016 20:57	KV
7782-49-2	Selenium	ND	M-SeT C	mg/L	0.011	0.011	1	EPA 6010C/1311 Certifications: CTDOH,NELAC-NY10854,NJDEP,PADEP	10/25/2016 12:41	10/25/2016 20:57	KV
7440-22-4	Silver	ND		mg/L	0.006	0.006	1	EPA 6010C/1311 Certifications: CTDOH,NELAC-NY10854,NJDEP,PADEP	10/25/2016 12:41	10/25/2016 20:57	KV

Mercury TCLP by 7473

Log-in Notes:

Sample Notes:

Sample Prepared by Method: EPA 7473 water

CAS No.	Parameter	Result	Flag	Units	LOD/MDL	Reported to LOQ	Dilution	Reference Method	Date/Time Prepared	Date/Time Analyzed	Analyst
7439-97-6	Mercury	ND		mg/L	0.0000390	0.000200	1	EPA 7473/1311 Certifications: CTDOH,NJDEP,PADEP,NELAC-NY10854	10/26/2016 06:18	10/26/2016 11:23	ALD

Ignitability

Log-in Notes:

Sample Notes:

Sample Prepared by Method: Analysis Preparation

CAS No.	Parameter	Result	Flag	Units	LOD/MDL	Reported to LOQ	Dilution	Reference Method	Date/Time Prepared	Date/Time Analyzed	Analyst
	* Ignitability	Non-Ignit.		-	1	1	1	EPA 1030P Certifications: CTDOH,PADEP	10/21/2016 23:59	10/22/2016 00:15	AA

Total Solids

Log-in Notes:

Sample Notes:

Sample Prepared by Method: % Solids Prep

CAS No.	Parameter	Result	Flag	Units	LOD/MDL	Reported to LOQ	Dilution	Reference Method	Date/Time Prepared	Date/Time Analyzed	Analyst
---------	-----------	--------	------	-------	---------	--------------------	----------	------------------	-----------------------	-----------------------	---------

HAZ-269



Sample Information

Client Sample ID: SB-05-COMP **York Sample ID:** 16J0783-16
York Project (SDG) No. 16J0783 **Client Project ID** 95th str sewer/water OEGS 15-008-0265 **Matrix** Soil **Collection Date/Time** October 20, 2016 8:35 am **Date Received** 10/21/2016

Total Solids

Log-in Notes:

Sample Notes:

Sample Prepared by Method: % Solids Prep

CAS No.	Parameter	Result	Flag	Units	LOD/MDL	Reported to LOQ	Dilution	Reference Method	Date/Time Prepared	Date/Time Analyzed	Analyst
solids	* % Solids	90.9		%	0.100	0.100	1	SM 2540G Certifications: CTDOH	10/25/2016 08:57	10/25/2016 12:21	TJM

Corrosivity

Log-in Notes:

Sample Notes:

Sample Prepared by Method: Analysis Preparation

CAS No.	Parameter	Result	Flag	Units	LOD/MDL	Reported to LOQ	Dilution	Reference Method	Date/Time Prepared	Date/Time Analyzed	Analyst
	pH	7.16		HT-pH pH units		0.500	1	EPA 9045D Certifications: NELAC-NY10854,CTDOH,PADEP	10/25/2016 09:02	10/25/2016 16:12	DM1

Reactivity-Cyanide

Log-in Notes:

Sample Notes:

Sample Prepared by Method: Analysis Preparation

CAS No.	Parameter	Result	Flag	Units	LOD/MDL	Reported to LOQ	Dilution	Reference Method	Date/Time Prepared	Date/Time Analyzed	Analyst
	* Reactivity - Cyanide	ND		mg/kg	0.250	0.250	1	EPA SW-846 Ch.7.3.3 Certifications: CTDOH,PADEP	10/28/2016 15:05	10/28/2016 16:39	AD

Reactivity-Sulfide

Log-in Notes:

Sample Notes:

Sample Prepared by Method: Analysis Preparation

CAS No.	Parameter	Result	Flag	Units	LOD/MDL	Reported to LOQ	Dilution	Reference Method	Date/Time Prepared	Date/Time Analyzed	Analyst
	* Reactivity - Sulfide	ND		mg/kg	15.0	15.0	1	EPA SW-846 Ch.7.3.4 Certifications: CTDOH,PADEP	10/28/2016 15:06	10/28/2016 16:39	AD

TCLP Extraction for METALS EPA 1311

Log-in Notes:

Sample Notes:

Sample Prepared by Method: EPA SW 846-1311 TCLP ext. for metals

CAS No.	Parameter	Result	Flag	Units	LOD/MDL	Reported to LOQ	Dilution	Reference Method	Date/Time Prepared	Date/Time Analyzed	Analyst
	TCLP Extraction	Completed		N/A	1.00	1.00	1	EPA 1311 Certifications: NELAC-NY10854,CTDOH,NJDEP,PADEP	10/24/2016 18:13	10/25/2016 13:49	TJM

Sample Information

Client Sample ID: SB-01-3.5-4.0' **York Sample ID:** 16J0783-17
York Project (SDG) No. 16J0783 **Client Project ID** 95th str sewer/water OEGS 15-008-0265 **Matrix** Soil **Collection Date/Time** October 21, 2016 10:15 am **Date Received** 10/21/2016

Volatile Organics, 8260 - Comprehensive

Log-in Notes: VOA-CONT

Sample Notes:

Sample Prepared by Method: EPA 5035A

CAS No.	Parameter	Result	Flag	Units	LOD/MDL	Reported to LOQ	Dilution	Reference Method	Date/Time Prepared	Date/Time Analyzed	Analyst
---------	-----------	--------	------	-------	---------	-----------------	----------	------------------	--------------------	--------------------	---------

HAZ-270



Sample Information

Client Sample ID: SB-01-3.5-4.0'

York Sample ID: 16J0783-17

York Project (SDG) No.
16J0783

Client Project ID
95th str sewer/water OEGS 15-008-0265

Matrix
Soil

Collection Date/Time
October 21, 2016 10:15 am

Date Received
10/21/2016

Volatile Organics, 8260 - Comprehensive

Log-in Notes: VOA-CONT **Sample Notes:**

Sample Prepared by Method: EPA 5035A

CAS No.	Parameter	Result	Flag	Units	Reported to LOD/MDL	LOQ	Dilution	Reference Method	Date/Time Prepared	Date/Time Analyzed	Analyst
630-20-6	1,1,1,2-Tetrachloroethane	ND		mg/kg dry	0.0027	0.0053	1	EPA 8260C Certifications: CTDOH,NELAC-NY10854,NJDEP	10/26/2016 15:30	10/27/2016 04:52	BK
71-55-6	1,1,1-Trichloroethane	ND		mg/kg dry	0.0027	0.0053	1	EPA 8260C Certifications: CTDOH,NELAC-NY10854,NJDEP,PADEP	10/26/2016 15:30	10/27/2016 04:52	BK
79-34-5	1,1,2,2-Tetrachloroethane	ND		mg/kg dry	0.0027	0.0053	1	EPA 8260C Certifications: CTDOH,NELAC-NY10854,NJDEP,PADEP	10/26/2016 15:30	10/27/2016 04:52	BK
76-13-1	1,1,2-Trichloro-1,2,2-trifluoroethane (Freon 113)	ND		mg/kg dry	0.0027	0.0053	1	EPA 8260C Certifications: CTDOH,NELAC-NY10854,NJDEP	10/26/2016 15:30	10/27/2016 04:52	BK
79-00-5	1,1,2-Trichloroethane	ND		mg/kg dry	0.0027	0.0053	1	EPA 8260C Certifications: CTDOH,NELAC-NY10854,NJDEP,PADEP	10/26/2016 15:30	10/27/2016 04:52	BK
75-34-3	1,1-Dichloroethane	ND		mg/kg dry	0.0027	0.0053	1	EPA 8260C Certifications: CTDOH,NELAC-NY10854,NJDEP,PADEP	10/26/2016 15:30	10/27/2016 04:52	BK
85-4	1,1-Dichloroethylene	ND		mg/kg dry	0.0027	0.0053	1	EPA 8260C Certifications: CTDOH,NELAC-NY10854,NJDEP,PADEP	10/26/2016 15:30	10/27/2016 04:52	BK
87-61-6	1,2,3-Trichlorobenzene	ND		mg/kg dry	0.0027	0.0053	1	EPA 8260C Certifications: NELAC-NY10854,NJDEP	10/26/2016 15:30	10/27/2016 04:52	BK
96-18-4	1,2,3-Trichloropropane	ND		mg/kg dry	0.0027	0.0053	1	EPA 8260C Certifications: NELAC-NY10854,NJDEP	10/26/2016 15:30	10/27/2016 04:52	BK
120-82-1	1,2,4-Trichlorobenzene	ND		mg/kg dry	0.0027	0.0053	1	EPA 8260C Certifications: NELAC-NY10854,NJDEP	10/26/2016 15:30	10/27/2016 04:52	BK
95-63-6	1,2,4-Trimethylbenzene	ND		mg/kg dry	0.0027	0.0053	1	EPA 8260C Certifications: CTDOH,NELAC-NY10854,NJDEP	10/26/2016 15:30	10/27/2016 04:52	BK
96-12-8	1,2-Dibromo-3-chloropropane	ND		mg/kg dry	0.0027	0.0053	1	EPA 8260C Certifications: CTDOH,NELAC-NY10854,NJDEP	10/26/2016 15:30	10/27/2016 04:52	BK
106-93-4	1,2-Dibromoethane	ND		mg/kg dry	0.0027	0.0053	1	EPA 8260C Certifications: CTDOH,NELAC-NY10854,NJDEP	10/26/2016 15:30	10/27/2016 04:52	BK
95-50-1	1,2-Dichlorobenzene	ND		mg/kg dry	0.0027	0.0053	1	EPA 8260C Certifications: CTDOH,NELAC-NY10854,NJDEP,PADEP	10/26/2016 15:30	10/27/2016 04:52	BK
107-06-2	1,2-Dichloroethane	ND		mg/kg dry	0.0027	0.0053	1	EPA 8260C Certifications: CTDOH,NELAC-NY10854,NJDEP,PADEP	10/26/2016 15:30	10/27/2016 04:52	BK
78-87-5	1,2-Dichloropropane	ND		mg/kg dry	0.0027	0.0053	1	EPA 8260C Certifications: CTDOH,NELAC-NY10854,NJDEP	10/26/2016 15:30	10/27/2016 04:52	BK
108-67-8	1,3,5-Trimethylbenzene	ND		mg/kg dry	0.0027	0.0053	1	EPA 8260C Certifications: CTDOH,NELAC-NY10854,NJDEP	10/26/2016 15:30	10/27/2016 04:52	BK
541-73-1	1,3-Dichlorobenzene	ND		mg/kg dry	0.0027	0.0053	1	EPA 8260C Certifications: CTDOH,NELAC-NY10854,NJDEP,PADEP	10/26/2016 15:30	10/27/2016 04:52	BK
106-46-7	1,4-Dichlorobenzene	ND		mg/kg dry	0.0027	0.0053	1	EPA 8260C Certifications: CTDOH,NELAC-NY10854,NJDEP,PADEP	10/26/2016 15:30	10/27/2016 04:52	BK
123-91-1	1,4-Dioxane	ND		mg/kg dry	0.053	0.11	1	EPA 8260C Certifications: NELAC-NY10854,NJDEP	10/26/2016 15:30	10/27/2016 04:52	BK
3	2-Butanone	ND		mg/kg dry	0.0027	0.0053	1	EPA 8260C Certifications: CTDOH,NELAC-NY10854,NJDEP	10/26/2016 15:30	10/27/2016 04:52	BK



Sample Information

Client Sample ID: SB-01-3.5-4.0'

York Sample ID: 16J0783-17

York Project (SDG) No.
16J0783

Client Project ID
95th str sewer/water OEGS 15-008-0265

Matrix
Soil

Collection Date/Time
October 21, 2016 10:15 am

Date Received
10/21/2016

Volatile Organics, 8260 - Comprehensive

Log-in Notes: VOA-CONT

Sample Notes:

Sample Prepared by Method: EPA 5035A

CAS No.	Parameter	Result	Flag	Units	Reported to LOD/MDL	LOQ	Dilution	Reference Method	Date/Time Prepared	Date/Time Analyzed	Analyst
591-78-6	2-Hexanone	ND		mg/kg dry	0.0027	0.0053	1	EPA 8260C Certifications: CTDOH,NELAC-NY10854,NJDEP	10/26/2016 15:30	10/27/2016 04:52	BK
108-10-1	4-Methyl-2-pentanone	ND		mg/kg dry	0.0027	0.0053	1	EPA 8260C Certifications: CTDOH,NELAC-NY10854,NJDEP	10/26/2016 15:30	10/27/2016 04:52	BK
67-64-1	Acetone	ND		mg/kg dry	0.0053	0.011	1	EPA 8260C Certifications: CTDOH,NELAC-NY10854,NJDEP	10/26/2016 15:30	10/27/2016 04:52	BK
107-02-8	Acrolein	ND		mg/kg dry	0.0053	0.011	1	EPA 8260C Certifications: CTDOH,NELAC-NY10854,NJDEP	10/26/2016 15:30	10/27/2016 04:52	BK
107-13-1	Acrylonitrile	ND		mg/kg dry	0.0027	0.0053	1	EPA 8260C Certifications: CTDOH,NELAC-NY10854,NJDEP	10/26/2016 15:30	10/27/2016 04:52	BK
71-43-2	Benzene	ND		mg/kg dry	0.0027	0.0053	1	EPA 8260C Certifications: CTDOH,NELAC-NY10854,NJDEP,PADEP	10/26/2016 15:30	10/27/2016 04:52	BK
74-97-5	Bromochloromethane	ND		mg/kg dry	0.0027	0.0053	1	EPA 8260C Certifications: NELAC-NY10854,NJDEP	10/26/2016 15:30	10/27/2016 04:52	BK
75-27-4	Bromodichloromethane	ND		mg/kg dry	0.0027	0.0053	1	EPA 8260C Certifications: CTDOH,NELAC-NY10854,NJDEP,PADEP	10/26/2016 15:30	10/27/2016 04:52	BK
75-25-2	Bromoform	ND		mg/kg dry	0.0027	0.0053	1	EPA 8260C Certifications: CTDOH,NELAC-NY10854,NJDEP,PADEP	10/26/2016 15:30	10/27/2016 04:52	BK
74-83-9	Bromomethane	ND		mg/kg dry	0.0027	0.0053	1	EPA 8260C Certifications: CTDOH,NELAC-NY10854,NJDEP,PADEP	10/26/2016 15:30	10/27/2016 04:52	BK
75-15-0	Carbon disulfide	ND		mg/kg dry	0.0027	0.0053	1	EPA 8260C Certifications: CTDOH,NELAC-NY10854,NJDEP	10/26/2016 15:30	10/27/2016 04:52	BK
56-23-5	Carbon tetrachloride	ND		mg/kg dry	0.0027	0.0053	1	EPA 8260C Certifications: CTDOH,NELAC-NY10854,NJDEP,PADEP	10/26/2016 15:30	10/27/2016 04:52	BK
108-90-7	Chlorobenzene	ND		mg/kg dry	0.0027	0.0053	1	EPA 8260C Certifications: CTDOH,NELAC-NY10854,NJDEP,PADEP	10/26/2016 15:30	10/27/2016 04:52	BK
75-00-3	Chloroethane	ND		mg/kg dry	0.0027	0.0053	1	EPA 8260C Certifications: CTDOH,NELAC-NY10854,NJDEP,PADEP	10/26/2016 15:30	10/27/2016 04:52	BK
67-66-3	Chloroform	ND		mg/kg dry	0.0027	0.0053	1	EPA 8260C Certifications: CTDOH,NELAC-NY10854,NJDEP,PADEP	10/26/2016 15:30	10/27/2016 04:52	BK
74-87-3	Chloromethane	ND		mg/kg dry	0.0027	0.0053	1	EPA 8260C Certifications: CTDOH,NELAC-NY10854,NJDEP,PADEP	10/26/2016 15:30	10/27/2016 04:52	BK
156-59-2	cis-1,2-Dichloroethylene	ND		mg/kg dry	0.0027	0.0053	1	EPA 8260C Certifications: CTDOH,NELAC-NY10854,NJDEP	10/26/2016 15:30	10/27/2016 04:52	BK
10061-01-5	cis-1,3-Dichloropropylene	ND		mg/kg dry	0.0027	0.0053	1	EPA 8260C Certifications: CTDOH,NELAC-NY10854,NJDEP,PADEP	10/26/2016 15:30	10/27/2016 04:52	BK
110-82-7	Cyclohexane	ND		mg/kg dry	0.0027	0.0053	1	EPA 8260C Certifications: NELAC-NY10854,NJDEP	10/26/2016 15:30	10/27/2016 04:52	BK
124-48-1	Dibromochloromethane	ND		mg/kg dry	0.0027	0.0053	1	EPA 8260C Certifications: NELAC-NY10854,NJDEP,PADEP	10/26/2016 15:30	10/27/2016 04:52	BK
74-95-3	Dibromomethane	ND		mg/kg dry	0.0027	0.0053	1	EPA 8260C Certifications: NELAC-NY10854,NJDEP	10/26/2016 15:30	10/27/2016 04:52	BK
75-71-8	Dichlorodifluoromethane	ND		mg/kg dry	0.0027	0.0053	1	EPA 8260C Certifications: NELAC-NY10854,NJDEP	10/26/2016 15:30	10/27/2016 04:52	BK

HAZ-272



Sample Information

Client Sample ID: SB-01-3.5-4.0'

York Sample ID: 16J0783-17

York Project (SDG) No.
16J0783

Client Project ID
95th str sewer/water OEGS 15-008-0265

Matrix
Soil

Collection Date/Time
October 21, 2016 10:15 am

Date Received
10/21/2016

Volatile Organics, 8260 - Comprehensive

Log-in Notes: VOA-CONT Sample Notes:

Sample Prepared by Method: EPA 5035A

CAS No.	Parameter	Result	Flag	Units	Reported to LOD/MDL	LOQ	Dilution	Reference Method	Date/Time Prepared	Date/Time Analyzed	Analyst
100-41-4	Ethyl Benzene	ND		mg/kg dry	0.0027	0.0053	1	EPA 8260C Certifications: CTDOH,NELAC-NY10854,NJDEP,PADEP	10/26/2016 15:30	10/27/2016 04:52	BK
87-68-3	Hexachlorobutadiene	ND		mg/kg dry	0.0027	0.0053	1	EPA 8260C Certifications: NELAC-NY10854,NJDEP	10/26/2016 15:30	10/27/2016 04:52	BK
98-82-8	Isopropylbenzene	ND		mg/kg dry	0.0027	0.0053	1	EPA 8260C Certifications: CTDOH,NELAC-NY10854,NJDEP	10/26/2016 15:30	10/27/2016 04:52	BK
79-20-9	Methyl acetate	ND		mg/kg dry	0.0027	0.0053	1	EPA 8260C Certifications: NELAC-NY10854,NJDEP	10/26/2016 15:30	10/27/2016 04:52	BK
1634-04-4	Methyl tert-butyl ether (MTBE)	ND		mg/kg dry	0.0027	0.0053	1	EPA 8260C Certifications: CTDOH,NELAC-NY10854,NJDEP	10/26/2016 15:30	10/27/2016 04:52	BK
108-87-2	Methylcyclohexane	ND		mg/kg dry	0.0027	0.0053	1	EPA 8260C Certifications: NELAC-NY10854,NJDEP	10/26/2016 15:30	10/27/2016 04:52	BK
75-09-2	Methylene chloride	ND		mg/kg dry	0.0053	0.011	1	EPA 8260C Certifications: CTDOH,NELAC-NY10854,NJDEP,PADEP	10/26/2016 15:30	10/27/2016 04:52	BK
106-51-8	n-Butylbenzene	ND		mg/kg dry	0.0027	0.0053	1	EPA 8260C Certifications: CTDOH,NELAC-NY10854,NJDEP	10/26/2016 15:30	10/27/2016 04:52	BK
103-65-1	n-Propylbenzene	ND		mg/kg dry	0.0027	0.0053	1	EPA 8260C Certifications: CTDOH,NELAC-NY10854,NJDEP	10/26/2016 15:30	10/27/2016 04:52	BK
95-47-6	o-Xylene	ND		mg/kg dry	0.0027	0.0053	1	EPA 8260C Certifications: CTDOH,NELAC-NY10854	10/26/2016 15:30	10/27/2016 04:52	BK
179601-23-1	p- & m- Xylenes	ND		mg/kg dry	0.0053	0.011	1	EPA 8260C Certifications: CTDOH,NELAC-NY10854	10/26/2016 15:30	10/27/2016 04:52	BK
99-87-6	p-Isopropyltoluene	ND		mg/kg dry	0.0027	0.0053	1	EPA 8260C Certifications: CTDOH,NELAC-NY10854,NJDEP	10/26/2016 15:30	10/27/2016 04:52	BK
135-98-8	sec-Butylbenzene	ND		mg/kg dry	0.0027	0.0053	1	EPA 8260C Certifications: CTDOH,NELAC-NY10854,NJDEP	10/26/2016 15:30	10/27/2016 04:52	BK
100-42-5	Styrene	ND		mg/kg dry	0.0027	0.0053	1	EPA 8260C Certifications: CTDOH,NELAC-NY10854,NJDEP	10/26/2016 15:30	10/27/2016 04:52	BK
75-65-0	tert-Butyl alcohol (TBA)	ND		mg/kg dry	0.0027	0.0053	1	EPA 8260C Certifications: NELAC-NY10854,NJDEP	10/26/2016 15:30	10/27/2016 04:52	BK
98-06-6	tert-Butylbenzene	ND		mg/kg dry	0.0027	0.0053	1	EPA 8260C Certifications: CTDOH,NELAC-NY10854,NJDEP	10/26/2016 15:30	10/27/2016 04:52	BK
127-18-4	Tetrachloroethylene	ND		mg/kg dry	0.0027	0.0053	1	EPA 8260C Certifications: CTDOH,NELAC-NY10854,NJDEP,PADEP	10/26/2016 15:30	10/27/2016 04:52	BK
108-88-3	Toluene	ND		mg/kg dry	0.0027	0.0053	1	EPA 8260C Certifications: CTDOH,NELAC-NY10854,NJDEP,PADEP	10/26/2016 15:30	10/27/2016 04:52	BK
156-60-5	trans-1,2-Dichloroethylene	ND		mg/kg dry	0.0027	0.0053	1	EPA 8260C Certifications: CTDOH,NELAC-NY10854,NJDEP	10/26/2016 15:30	10/27/2016 04:52	BK
10061-02-6	trans-1,3-Dichloropropylene	ND		mg/kg dry	0.0027	0.0053	1	EPA 8260C Certifications: CTDOH,NELAC-NY10854,NJDEP,PADEP	10/26/2016 15:30	10/27/2016 04:52	BK
79-01-6	Trichloroethylene	ND		mg/kg dry	0.0027	0.0053	1	EPA 8260C Certifications: CTDOH,NELAC-NY10854,NJDEP,PADEP	10/26/2016 15:30	10/27/2016 04:52	BK
75-69-4	Trichlorofluoromethane	ND		mg/kg dry	0.0027	0.0053	1	EPA 8260C Certifications: CTDOH,NELAC-NY10854,NJDEP,PADEP	10/26/2016 15:30	10/27/2016 04:52	BK

HAZ-273



Sample Information

Client Sample ID: SB-01-3.5-4.0'

York Sample ID: 16J0783-17

York Project (SDG) No.
16J0783

Client Project ID
95th str sewer/water OEGS 15-008-0265

Matrix
Soil

Collection Date/Time
October 21, 2016 10:15 am

Date Received
10/21/2016

Volatiles Organics, 8260 - Comprehensive

Log-in Notes: VOA-CONT

Sample Notes:

Sample Prepared by Method: EPA 5035A

CAS No.	Parameter	Result	Flag	Units	Reported to LOD/MDL	LOQ	Dilution	Reference Method	Date/Time Prepared	Date/Time Analyzed	Analyst
75-01-4	Vinyl Chloride	ND		mg/kg dry	0.0027	0.0053	1	EPA 8260C Certifications: CTDOH,NELAC-NY10854,NJDEP,PADEP	10/26/2016 15:30	10/27/2016 04:52	BK
1330-20-7	Xylenes, Total	ND		mg/kg dry	0.0080	0.016	1	EPA 8260C Certifications: CTDOH,NELAC-NY10854,NJDEP,PADEP	10/26/2016 15:30	10/27/2016 04:52	BK
Surrogate Recoveries		Result			Acceptance Range						
17060-07-0	Surrogate: 1,2-Dichloroethane-d4	106 %			77-125						
2037-26-5	Surrogate: Toluene-d8	100 %			85-120						
460-00-4	Surrogate: p-Bromofluorobenzene	84.1 %			76-130						

Semi-Volatiles, 8270 - Comprehensive

Log-in Notes: VOA-CONT

Sample Notes:

Sample Prepared by Method: EPA 3550C

CAS No.	Parameter	Result	Flag	Units	Reported to LOD/MDL	LOQ	Dilution	Reference Method	Date/Time Prepared	Date/Time Analyzed	Analyst
92-52-4	1,1'-Biphenyl	ND		mg/kg dry	0.0445	0.0888	2	EPA 8270D Certifications: NELAC-NY10854,NJDEP,PADEP	10/25/2016 14:08	10/26/2016 15:05	KH
95-94-3	1,2,4,5-Tetrachlorobenzene	ND		mg/kg dry	0.0888	0.177	2	EPA 8270D Certifications: NELAC-NY10854,NJDEP,PADEP	10/25/2016 14:08	10/26/2016 15:05	KH
120-82-1	1,2,4-Trichlorobenzene	ND		mg/kg dry	0.0445	0.0888	2	EPA 8270D Certifications: CTDOH,NELAC-NY10854,NJDEP,PADEP	10/25/2016 14:08	10/26/2016 15:05	KH
95-50-1	1,2-Dichlorobenzene	ND		mg/kg dry	0.0445	0.0888	2	EPA 8270D Certifications: NELAC-NY10854,PADEP	10/25/2016 14:08	10/26/2016 15:05	KH
122-66-7	1,2-Diphenylhydrazine (as Azobenzene)	ND		mg/kg dry	0.0445	0.0888	2	EPA 8270D Certifications: NELAC-NY10854,NJDEP,PADEP	10/25/2016 14:08	10/26/2016 15:05	KH
541-73-1	1,3-Dichlorobenzene	ND		mg/kg dry	0.0445	0.0888	2	EPA 8270D Certifications: NELAC-NY10854,PADEP	10/25/2016 14:08	10/26/2016 15:05	KH
106-46-7	1,4-Dichlorobenzene	ND		mg/kg dry	0.0445	0.0888	2	EPA 8270D Certifications: NELAC-NY10854,PADEP	10/25/2016 14:08	10/26/2016 15:05	KH
58-90-2	2,3,4,6-Tetrachlorophenol	ND		mg/kg dry	0.0888	0.177	2	EPA 8270D Certifications: NELAC-NY10854,NJDEP,PADEP	10/25/2016 14:08	10/26/2016 15:05	KH
95-95-4	2,4,5-Trichlorophenol	ND		mg/kg dry	0.0445	0.0888	2	EPA 8270D Certifications: CTDOH,NELAC-NY10854,NJDEP,PADEP	10/25/2016 14:08	10/26/2016 15:05	KH
88-06-2	2,4,6-Trichlorophenol	ND		mg/kg dry	0.0445	0.0888	2	EPA 8270D Certifications: CTDOH,NELAC-NY10854,NJDEP,PADEP	10/25/2016 14:08	10/26/2016 15:05	KH
120-83-2	2,4-Dichlorophenol	ND		mg/kg dry	0.0445	0.0888	2	EPA 8270D Certifications: CTDOH,NELAC-NY10854,NJDEP,PADEP	10/25/2016 14:08	10/26/2016 15:05	KH
105-67-9	2,4-Dimethylphenol	ND		mg/kg dry	0.0445	0.0888	2	EPA 8270D Certifications: CTDOH,NELAC-NY10854,NJDEP,PADEP	10/25/2016 14:08	10/26/2016 15:05	KH
51-28-5	2,4-Dinitrophenol	ND		mg/kg dry	0.0888	0.177	2	EPA 8270D Certifications: CTDOH,NELAC-NY10854,NJDEP,PADEP	10/25/2016 14:08	10/26/2016 15:05	KH
121-14-2	2,4-Dinitrotoluene	ND		mg/kg dry	0.0445	0.0888	2	EPA 8270D Certifications: CTDOH,NELAC-NY10854,NJDEP,PADEP	10/25/2016 14:08	10/26/2016 15:05	KH
606-20-2	2,6-Dinitrotoluene	ND		mg/kg dry	0.0445	0.0888	2	EPA 8270D Certifications: CTDOH,NELAC-NY10854,NJDEP,PADEP	10/25/2016 14:08	10/26/2016 15:05	KH

HAZ-274



Sample Information

Client Sample ID: SB-01-3.5-4.0'

York Sample ID: 16J0783-17

York Project (SDG) No.
16J0783

Client Project ID
95th str sewer/water OEGS 15-008-0265

Matrix
Soil

Collection Date/Time
October 21, 2016 10:15 am

Date Received
10/21/2016

Semi-Volatiles, 8270 - Comprehensive

Log-in Notes: VOA-CONT **Sample Notes:**

Sample Prepared by Method: EPA 3550C

CAS No.	Parameter	Result	Flag	Units	Reported to LOD/MDL	LOQ	Dilution	Reference Method	Date/Time Prepared	Date/Time Analyzed	Analyst
91-58-7	2-Chloronaphthalene	ND		mg/kg dry	0.0445	0.0888	2	EPA 8270D Certifications: CTDOH,NELAC-NY10854,NJDEP,PADEP	10/25/2016 14:08	10/26/2016 15:05	KH
95-57-8	2-Chlorophenol	ND		mg/kg dry	0.0445	0.0888	2	EPA 8270D Certifications: CTDOH,NELAC-NY10854,NJDEP,PADEP	10/25/2016 14:08	10/26/2016 15:05	KH
91-57-6	2-Methylnaphthalene	ND		mg/kg dry	0.0445	0.0888	2	EPA 8270D Certifications: CTDOH,NELAC-NY10854,NJDEP,PADEP	10/25/2016 14:08	10/26/2016 15:05	KH
95-48-7	2-Methylphenol	ND		mg/kg dry	0.0445	0.0888	2	EPA 8270D Certifications: CTDOH,NELAC-NY10854,NJDEP,PADEP	10/25/2016 14:08	10/26/2016 15:05	KH
88-74-4	2-Nitroaniline	ND		mg/kg dry	0.0888	0.177	2	EPA 8270D Certifications: CTDOH,NELAC-NY10854,NJDEP,PADEP	10/25/2016 14:08	10/26/2016 15:05	KH
88-75-5	2-Nitrophenol	ND		mg/kg dry	0.0445	0.0888	2	EPA 8270D Certifications: CTDOH,NELAC-NY10854,NJDEP,PADEP	10/25/2016 14:08	10/26/2016 15:05	KH
65794-96-9	3- & 4-Methylphenols	ND		mg/kg dry	0.0445	0.0888	2	EPA 8270D Certifications: CTDOH,NELAC-NY10854,NJDEP,PADEP	10/25/2016 14:08	10/26/2016 15:05	KH
94-1	3,3'-Dichlorobenzidine	ND		mg/kg dry	0.0445	0.0888	2	EPA 8270D Certifications: NELAC-NY10854,NJDEP,PADEP	10/25/2016 14:08	10/26/2016 15:05	KH
99-09-2	3-Nitroaniline	ND		mg/kg dry	0.0888	0.177	2	EPA 8270D Certifications: CTDOH,NELAC-NY10854,NJDEP,PADEP	10/25/2016 14:08	10/26/2016 15:05	KH
534-52-1	4,6-Dinitro-2-methylphenol	ND		mg/kg dry	0.0888	0.177	2	EPA 8270D Certifications: CTDOH,NELAC-NY10854,NJDEP,PADEP	10/25/2016 14:08	10/26/2016 15:05	KH
101-55-3	4-Bromophenyl phenyl ether	ND		mg/kg dry	0.0445	0.0888	2	EPA 8270D Certifications: CTDOH,NELAC-NY10854,NJDEP,PADEP	10/25/2016 14:08	10/26/2016 15:05	KH
59-50-7	4-Chloro-3-methylphenol	ND		mg/kg dry	0.0445	0.0888	2	EPA 8270D Certifications: CTDOH,NELAC-NY10854,NJDEP,PADEP	10/25/2016 14:08	10/26/2016 15:05	KH
106-47-8	4-Chloroaniline	ND		mg/kg dry	0.0445	0.0888	2	EPA 8270D Certifications: CTDOH,NELAC-NY10854,NJDEP,PADEP	10/25/2016 14:08	10/26/2016 15:05	KH
7005-72-3	4-Chlorophenyl phenyl ether	ND		mg/kg dry	0.0445	0.0888	2	EPA 8270D Certifications: CTDOH,NELAC-NY10854,NJDEP,PADEP	10/25/2016 14:08	10/26/2016 15:05	KH
100-01-6	4-Nitroaniline	ND		mg/kg dry	0.0888	0.177	2	EPA 8270D Certifications: CTDOH,NELAC-NY10854,NJDEP,PADEP	10/25/2016 14:08	10/26/2016 15:05	KH
100-02-7	4-Nitrophenol	ND		mg/kg dry	0.0888	0.177	2	EPA 8270D Certifications: CTDOH,NELAC-NY10854,NJDEP,PADEP	10/25/2016 14:08	10/26/2016 15:05	KH
83-32-9	Acenaphthene	ND		mg/kg dry	0.0445	0.0888	2	EPA 8270D Certifications: CTDOH,NELAC-NY10854,NJDEP,PADEP	10/25/2016 14:08	10/26/2016 15:05	KH
208-96-8	Acenaphthylene	ND		mg/kg dry	0.0445	0.0888	2	EPA 8270D Certifications: CTDOH,NELAC-NY10854,NJDEP,PADEP	10/25/2016 14:08	10/26/2016 15:05	KH
98-86-2	Acetophenone	ND		mg/kg dry	0.0445	0.0888	2	EPA 8270D Certifications: NELAC-NY10854,NJDEP,PADEP	10/25/2016 14:08	10/26/2016 15:05	KH
62-53-3	Aniline	ND		mg/kg dry	0.178	0.356	2	EPA 8270D Certifications: NELAC-NY10854,NJDEP,PADEP	10/25/2016 14:08	10/26/2016 15:05	KH
120-12-7	Anthracene	ND		mg/kg dry	0.0445	0.0888	2	EPA 8270D Certifications: CTDOH,NELAC-NY10854,NJDEP,PADEP	10/25/2016 14:08	10/26/2016 15:05	KH
134-24-9	Atrazine	ND		mg/kg dry	0.0445	0.0888	2	EPA 8270D Certifications: NELAC-NY10854,NJDEP,PADEP	10/25/2016 14:08	10/26/2016 15:05	KH

HAZ-275



Sample Information

Client Sample ID: SB-01-3.5-4.0'

York Sample ID: 16J0783-17

York Project (SDG) No.
16J0783

Client Project ID
95th str sewer/water OEGS 15-008-0265

Matrix
Soil

Collection Date/Time
October 21, 2016 10:15 am

Date Received
10/21/2016

Semi-Volatiles, 8270 - Comprehensive

Log-in Notes: VOA-CONT Sample Notes:

Sample Prepared by Method: EPA 3550C

CAS No.	Parameter	Result	Flag	Units	Reported to LOD/MDL	LOQ	Dilution	Reference Method	Date/Time Prepared	Date/Time Analyzed	Analyst
100-52-7	Benzaldehyde	ND		mg/kg dry	0.0445	0.0888	2	EPA 8270D Certifications: NELAC-NY10854,NJDEP,PADEP	10/25/2016 14:08	10/26/2016 15:05	KH
92-87-5	Benzenidine	ND		mg/kg dry	0.178	0.356	2	EPA 8270D Certifications: CTDOH,NELAC-NY10854,PADEP	10/25/2016 14:08	10/26/2016 15:05	KH
56-55-3	Benzo(a)anthracene	ND		mg/kg dry	0.0445	0.0888	2	EPA 8270D Certifications: CTDOH,NELAC-NY10854,NJDEP,PADEP	10/25/2016 14:08	10/26/2016 15:05	KH
50-32-8	Benzo(a)pyrene	ND		mg/kg dry	0.0445	0.0888	2	EPA 8270D Certifications: CTDOH,NELAC-NY10854,NJDEP,PADEP	10/25/2016 14:08	10/26/2016 15:05	KH
205-99-2	Benzo(b)fluoranthene	ND		mg/kg dry	0.0445	0.0888	2	EPA 8270D Certifications: CTDOH,NELAC-NY10854,NJDEP,PADEP	10/25/2016 14:08	10/26/2016 15:05	KH
191-24-2	Benzo(g,h,i)perylene	ND		mg/kg dry	0.0445	0.0888	2	EPA 8270D Certifications: CTDOH,NELAC-NY10854,NJDEP,PADEP	10/25/2016 14:08	10/26/2016 15:05	KH
207-08-9	Benzo(k)fluoranthene	ND		mg/kg dry	0.0445	0.0888	2	EPA 8270D Certifications: CTDOH,NELAC-NY10854,NJDEP,PADEP	10/25/2016 14:08	10/26/2016 15:05	KH
65-85-0	Benzoic acid	ND		mg/kg dry	0.0445	0.0888	2	EPA 8270D Certifications: NELAC-NY10854,NJDEP,PADEP	10/25/2016 14:08	10/26/2016 15:05	KH
100-51-6	Benzyl alcohol	ND		mg/kg dry	0.0445	0.0888	2	EPA 8270D Certifications: NELAC-NY10854,NJDEP,PADEP	10/25/2016 14:08	10/26/2016 15:05	KH
85-68-7	Benzyl butyl phthalate	ND		mg/kg dry	0.0445	0.0888	2	EPA 8270D Certifications: CTDOH,NELAC-NY10854,NJDEP,PADEP	10/25/2016 14:08	10/26/2016 15:05	KH
111-91-1	Bis(2-chloroethoxy)methane	ND		mg/kg dry	0.0445	0.0888	2	EPA 8270D Certifications: CTDOH,NELAC-NY10854,NJDEP,PADEP	10/25/2016 14:08	10/26/2016 15:05	KH
111-44-4	Bis(2-chloroethyl)ether	ND		mg/kg dry	0.0445	0.0888	2	EPA 8270D Certifications: CTDOH,NELAC-NY10854,NJDEP,PADEP	10/25/2016 14:08	10/26/2016 15:05	KH
108-60-1	Bis(2-chloroisopropyl)ether	ND		mg/kg dry	0.0445	0.0888	2	EPA 8270D Certifications: CTDOH,NELAC-NY10854,NJDEP,PADEP	10/25/2016 14:08	10/26/2016 15:05	KH
117-81-7	Bis(2-ethylhexyl)phthalate	ND		mg/kg dry	0.0445	0.0888	2	EPA 8270D Certifications: CTDOH,NELAC-NY10854,NJDEP,PADEP	10/25/2016 14:08	10/26/2016 15:05	KH
105-60-2	Caprolactam	ND		mg/kg dry	0.0888	0.177	2	EPA 8270D Certifications: NELAC-NY10854,NJDEP,PADEP	10/25/2016 14:08	10/26/2016 15:05	KH
86-74-8	Carbazole	ND		mg/kg dry	0.0445	0.0888	2	EPA 8270D Certifications: CTDOH,NELAC-NY10854,NJDEP,PADEP	10/25/2016 14:08	10/26/2016 15:05	KH
218-01-9	Chrysene	ND		mg/kg dry	0.0445	0.0888	2	EPA 8270D Certifications: CTDOH,NELAC-NY10854,NJDEP,PADEP	10/25/2016 14:08	10/26/2016 15:05	KH
53-70-3	Dibenzo(a,h)anthracene	ND		mg/kg dry	0.0445	0.0888	2	EPA 8270D Certifications: CTDOH,NELAC-NY10854,NJDEP,PADEP	10/25/2016 14:08	10/26/2016 15:05	KH
132-64-9	Dibenzofuran	ND		mg/kg dry	0.0445	0.0888	2	EPA 8270D Certifications: CTDOH,NELAC-NY10854,NJDEP,PADEP	10/25/2016 14:08	10/26/2016 15:05	KH
84-66-2	Diethyl phthalate	ND		mg/kg dry	0.0445	0.0888	2	EPA 8270D Certifications: CTDOH,NELAC-NY10854,NJDEP,PADEP	10/25/2016 14:08	10/26/2016 15:05	KH
131-11-3	Dimethyl phthalate	ND		mg/kg dry	0.0445	0.0888	2	EPA 8270D Certifications: CTDOH,NELAC-NY10854,NJDEP,PADEP	10/25/2016 14:08	10/26/2016 15:05	KH
84-74-2	Di-n-butyl phthalate	ND		mg/kg dry	0.0445	0.0888	2	EPA 8270D Certifications: CTDOH,NELAC-NY10854,NJDEP,PADEP	10/25/2016 14:08	10/26/2016 15:05	KH

HAZ-276



Sample Information

Client Sample ID: SB-01-3.5-4.0'

York Sample ID: 16J0783-17

York Project (SDG) No.
16J0783

Client Project ID
95th str sewer/water OECS 15-008-0265

Matrix
Soil

Collection Date/Time
October 21, 2016 10:15 am

Date Received
10/21/2016

Semi-Volatiles, 8270 - Comprehensive

Log-in Notes: VOA-CONT **Sample Notes:**

Sample Prepared by Method: EPA 3550C

CAS No.	Parameter	Result	Flag	Units	Reported to LOD/MDL	LOQ	Dilution	Reference Method	Date/Time Prepared	Date/Time Analyzed	Analyst
117-84-0	Di-n-octyl phthalate	ND		mg/kg dry	0.0445	0.0888	2	EPA 8270D Certifications: CTDOH,NELAC-NY10854,NJDEP,PADEP	10/25/2016 14:08	10/26/2016 15:05	KH
206-44-0	Fluoranthene	ND		mg/kg dry	0.0445	0.0888	2	EPA 8270D Certifications: CTDOH,NELAC-NY10854,NJDEP,PADEP	10/25/2016 14:08	10/26/2016 15:05	KH
86-73-7	Fluorene	ND		mg/kg dry	0.0445	0.0888	2	EPA 8270D Certifications: NELAC-NY10854,NJDEP,PADEP	10/25/2016 14:08	10/26/2016 15:05	KH
118-74-1	Hexachlorobenzene	ND		mg/kg dry	0.0445	0.0888	2	EPA 8270D Certifications: CTDOH,NELAC-NY10854,NJDEP,PADEP	10/25/2016 14:08	10/26/2016 15:05	KH
87-68-3	Hexachlorobutadiene	ND		mg/kg dry	0.0445	0.0888	2	EPA 8270D Certifications: CTDOH,NELAC-NY10854,NJDEP,PADEP	10/25/2016 14:08	10/26/2016 15:05	KH
77-47-4	Hexachlorocyclopentadiene	ND		mg/kg dry	0.0445	0.0888	2	EPA 8270D Certifications: CTDOH,NELAC-NY10854,NJDEP,PADEP	10/25/2016 14:08	10/26/2016 15:05	KH
67-72-1	Hexachloroethane	ND		mg/kg dry	0.0445	0.0888	2	EPA 8270D Certifications: CTDOH,NELAC-NY10854,NJDEP,PADEP	10/25/2016 14:08	10/26/2016 15:05	KH
123-39-5	Indeno(1,2,3-cd)pyrene	ND		mg/kg dry	0.0445	0.0888	2	EPA 8270D Certifications: CTDOH,NELAC-NY10854,NJDEP,PADEP	10/25/2016 14:08	10/26/2016 15:05	KH
78-59-1	Isophorone	ND		mg/kg dry	0.0445	0.0888	2	EPA 8270D Certifications: CTDOH,NELAC-NY10854,NJDEP,PADEP	10/25/2016 14:08	10/26/2016 15:05	KH
91-20-3	Naphthalene	ND		mg/kg dry	0.0445	0.0888	2	EPA 8270D Certifications: CTDOH,NELAC-NY10854,NJDEP,PADEP	10/25/2016 14:08	10/26/2016 15:05	KH
98-95-3	Nitrobenzene	ND		mg/kg dry	0.0445	0.0888	2	EPA 8270D Certifications: CTDOH,NELAC-NY10854,NJDEP,PADEP	10/25/2016 14:08	10/26/2016 15:05	KH
62-75-9	N-Nitrosodimethylamine	ND		mg/kg dry	0.0445	0.0888	2	EPA 8270D Certifications: CTDOH,NELAC-NY10854,NJDEP,PADEP	10/25/2016 14:08	10/26/2016 15:05	KH
621-64-7	N-nitroso-di-n-propylamine	ND		mg/kg dry	0.0445	0.0888	2	EPA 8270D Certifications: CTDOH,NELAC-NY10854,NJDEP,PADEP	10/25/2016 14:08	10/26/2016 15:05	KH
86-30-6	N-Nitrosodiphenylamine	ND		mg/kg dry	0.0445	0.0888	2	EPA 8270D Certifications: CTDOH,NELAC-NY10854,NJDEP,PADEP	10/25/2016 14:08	10/26/2016 15:05	KH
87-86-5	Pentachlorophenol	ND		mg/kg dry	0.0445	0.0888	2	EPA 8270D Certifications: CTDOH,NELAC-NY10854,NJDEP,PADEP	10/25/2016 14:08	10/26/2016 15:05	KH
85-01-8	Phenanthrene	ND		mg/kg dry	0.0445	0.0888	2	EPA 8270D Certifications: CTDOH,NELAC-NY10854,NJDEP,PADEP	10/25/2016 14:08	10/26/2016 15:05	KH
108-95-2	Phenol	ND		mg/kg dry	0.0445	0.0888	2	EPA 8270D Certifications: CTDOH,NELAC-NY10854,NJDEP,PADEP	10/25/2016 14:08	10/26/2016 15:05	KH
129-00-0	Pyrene	ND		mg/kg dry	0.0445	0.0888	2	EPA 8270D Certifications: CTDOH,NELAC-NY10854,NJDEP,PADEP	10/25/2016 14:08	10/26/2016 15:05	KH

	Surrogate Recoveries	Result	Acceptance Range
367-12-4	Surrogate: 2-Fluorophenol	52.4 %	20-108
4165-62-2	Surrogate: Phenol-d5	49.6 %	23-114
4165-60-0	Surrogate: Nitrobenzene-d5	44.5 %	22-108
60-8	Surrogate: 2-Fluorobiphenyl	50.1 %	21-113
19-6	Surrogate: 2,4,6-Tribromophenol	55.6 %	19-110
1718-51-0	Surrogate: Terphenyl-d14	41.1 %	24-116

HAZ-277



Sample Information

Client Sample ID: SB-01-3.5-4.0'

York Sample ID: 16J0783-17

York Project (SDG) No.
16J0783

Client Project ID
95th str sewer/water OEGS 15-008-0265

Matrix
Soil

Collection Date/Time
October 21, 2016 10:15 am

Date Received
10/21/2016

Pesticides, 8081 target list

Log-in Notes: VOA-CONT **Sample Notes:**

Sample Prepared by Method: EPA 3550C

CAS No.	Parameter	Result	Flag	Units	LOD/MDL	Reported to LOQ	Dilution	Reference Method	Date/Time Prepared	Date/Time Analyzed	Analyst
72-54-8	4,4'-DDD	ND		mg/kg dry	0.00176	0.00176	5	EPA 8081B Certifications: CTDOH,NELAC-NY10854,NJDEP,PADEP	10/26/2016 12:50	10/27/2016 18:37	AMC
72-55-9	4,4'-DDE	ND		mg/kg dry	0.00176	0.00176	5	EPA 8081B Certifications: CTDOH,NELAC-NY10854,NJDEP,PADEP	10/26/2016 12:50	10/27/2016 18:37	AMC
50-29-3	4,4'-DDT	ND		mg/kg dry	0.00176	0.00176	5	EPA 8081B Certifications: CTDOH,NELAC-NY10854,NJDEP,PADEP	10/26/2016 12:50	10/27/2016 18:37	AMC
309-00-2	Aldrin	ND		mg/kg dry	0.00176	0.00176	5	EPA 8081B Certifications: CTDOH,NELAC-NY10854,NJDEP,PADEP	10/26/2016 12:50	10/27/2016 18:37	AMC
319-84-6	alpha-BHC	ND		mg/kg dry	0.00176	0.00176	5	EPA 8081B Certifications: CTDOH,NELAC-NY10854,NJDEP,PADEP	10/26/2016 12:50	10/27/2016 18:37	AMC
5103-71-9	alpha-Chlordane	ND		mg/kg dry	0.00176	0.00176	5	EPA 8081B Certifications: NELAC-NY10854,NJDEP	10/26/2016 12:50	10/27/2016 18:37	AMC
319-85-7	beta-BHC	ND		mg/kg dry	0.00176	0.00176	5	EPA 8081B Certifications: CTDOH,NELAC-NY10854,NJDEP,PADEP	10/26/2016 12:50	10/27/2016 18:37	AMC
57-74-9	Chlordane, total	ND		mg/kg dry	0.0351	0.0351	5	EPA 8081B Certifications: CTDOH,NELAC-NY10854,NJDEP,PADEP	10/26/2016 12:50	10/27/2016 18:37	AMC
319-86-8	delta-BHC	ND		mg/kg dry	0.00176	0.00176	5	EPA 8081B Certifications: CTDOH,NELAC-NY10854,NJDEP,PADEP	10/26/2016 12:50	10/27/2016 18:37	AMC
60-57-1	Dieldrin	ND		mg/kg dry	0.00176	0.00176	5	EPA 8081B Certifications: CTDOH,NELAC-NY10854,NJDEP,PADEP	10/26/2016 12:50	10/27/2016 18:37	AMC
959-98-8	Endosulfan I	ND		mg/kg dry	0.00176	0.00176	5	EPA 8081B Certifications: CTDOH,NELAC-NY10854,NJDEP,PADEP	10/26/2016 12:50	10/27/2016 18:37	AMC
33213-65-9	Endosulfan II	ND		mg/kg dry	0.00176	0.00176	5	EPA 8081B Certifications: CTDOH,NELAC-NY10854,NJDEP,PADEP	10/26/2016 12:50	10/27/2016 18:37	AMC
1031-07-8	Endosulfan sulfate	ND		mg/kg dry	0.00176	0.00176	5	EPA 8081B Certifications: CTDOH,NELAC-NY10854,NJDEP,PADEP	10/26/2016 12:50	10/27/2016 18:37	AMC
72-20-8	Endrin	ND		mg/kg dry	0.00176	0.00176	5	EPA 8081B Certifications: CTDOH,NELAC-NY10854,NJDEP,PADEP	10/26/2016 12:50	10/27/2016 18:37	AMC
7421-93-4	Endrin aldehyde	ND		mg/kg dry	0.00176	0.00176	5	EPA 8081B Certifications: CTDOH,NELAC-NY10854,NJDEP,PADEP	10/26/2016 12:50	10/27/2016 18:37	AMC
53494-70-5	Endrin ketone	ND		mg/kg dry	0.00176	0.00176	5	EPA 8081B Certifications: CTDOH,NELAC-NY10854,NJDEP,PADEP	10/26/2016 12:50	10/27/2016 18:37	AMC
58-89-9	gamma-BHC (Lindane)	ND		mg/kg dry	0.00176	0.00176	5	EPA 8081B Certifications: CTDOH,NELAC-NY10854,NJDEP,PADEP	10/26/2016 12:50	10/27/2016 18:37	AMC
5566-34-7	gamma-Chlordane	ND		mg/kg dry	0.00176	0.00176	5	EPA 8081B Certifications: NELAC-NY10854,NJDEP	10/26/2016 12:50	10/27/2016 18:37	AMC
76-44-8	Heptachlor	ND		mg/kg dry	0.00176	0.00176	5	EPA 8081B Certifications: CTDOH,NELAC-NY10854,NJDEP,PADEP	10/26/2016 12:50	10/27/2016 18:37	AMC
1024-57-3	Heptachlor epoxide	ND		mg/kg dry	0.00176	0.00176	5	EPA 8081B Certifications: CTDOH,NELAC-NY10854,NJDEP,PADEP	10/26/2016 12:50	10/27/2016 18:37	AMC
72-43-5	Methoxychlor	ND		mg/kg dry	0.00878	0.00878	5	EPA 8081B Certifications: CTDOH,NELAC-NY10854,NJDEP,PADEP	10/26/2016 12:50	10/27/2016 18:37	AMC

HA2-278



Sample Information

Client Sample ID: SB-01-3.5-4.0'

York Sample ID: 16J0783-17

York Project (SDG) No.
16J0783

Client Project ID
95th str sewer/water OEGS 15-008-0265

Matrix
Soil

Collection Date/Time
October 21, 2016 10:15 am

Date Received
10/21/2016

Pesticides, 8081 target list

Log-in Notes: VOA-CONT Sample Notes:

Sample Prepared by Method: EPA 3550C

CAS No.	Parameter	Result	Flag	Units	LOD/MDL	Reported to LOQ	Dilution	Reference Method	Date/Time Prepared	Date/Time Analyzed	Analyst
8001-35-2	Toxaphene	ND		mg/kg dry	0.0889	0.0889	5	EPA 8081B Certifications: CTDOH,NELAC-NY10854,NJDEP,PADEP	10/26/2016 12:50	10/27/2016 18:37	AMC
Surrogate Recoveries		Result			Acceptance Range						
2051-24-3	Surrogate: Decachlorobiphenyl	118 %			30-150						
877-09-8	Surrogate: Tetrachloro-m-xylene	112 %			30-150						

Polychlorinated Biphenyls (PCB)

Log-in Notes: VOA-CONT Sample Notes:

Sample Prepared by Method: EPA 3550C

CAS No.	Parameter	Result	Flag	Units	LOD/MDL	Reported to LOQ	Dilution	Reference Method	Date/Time Prepared	Date/Time Analyzed	Analyst
12674-11-2	Aroclor 1016	ND		mg/kg dry	0.0177	0.0177	1	EPA 8082A Certifications: NELAC-NY10854,CTDOH,NJDEP,PADEP	10/25/2016 07:10	10/25/2016 23:55	AMC
104-28-2	Aroclor 1221	ND		mg/kg dry	0.0177	0.0177	1	EPA 8082A Certifications: NELAC-NY10854,CTDOH,NJDEP,PADEP	10/25/2016 07:10	10/25/2016 23:55	AMC
11141-16-5	Aroclor 1232	ND		mg/kg dry	0.0177	0.0177	1	EPA 8082A Certifications: NELAC-NY10854,CTDOH,NJDEP,PADEP	10/25/2016 07:10	10/25/2016 23:55	AMC
53469-21-9	Aroclor 1242	ND		mg/kg dry	0.0177	0.0177	1	EPA 8082A Certifications: NELAC-NY10854,CTDOH,NJDEP,PADEP	10/25/2016 07:10	10/25/2016 23:55	AMC
12672-29-6	Aroclor 1248	ND		mg/kg dry	0.0177	0.0177	1	EPA 8082A Certifications: NELAC-NY10854,CTDOH,NJDEP,PADEP	10/25/2016 07:10	10/25/2016 23:55	AMC
11097-69-1	Aroclor 1254	ND		mg/kg dry	0.0177	0.0177	1	EPA 8082A Certifications: NELAC-NY10854,CTDOH,NJDEP,PADEP	10/25/2016 07:10	10/25/2016 23:55	AMC
11096-82-5	Aroclor 1260	ND		mg/kg dry	0.0177	0.0177	1	EPA 8082A Certifications: NELAC-NY10854,CTDOH,NJDEP,PADEP	10/25/2016 07:10	10/25/2016 23:55	AMC
1336-36-3	* Total PCBs	ND		mg/kg dry	0.0177	0.0177	1	EPA 8082A Certifications:	10/25/2016 07:10	10/25/2016 23:55	AMC
Surrogate Recoveries		Result			Acceptance Range						
877-09-8	Surrogate: Tetrachloro-m-xylene	111 %			30-140						
2051-24-3	Surrogate: Decachlorobiphenyl	88.5 %			30-140						

Metals, Target Analyte

Log-in Notes: VOA-CONT Sample Notes:

Sample Prepared by Method: EPA 3050B

CAS No.	Parameter	Result	Flag	Units	LOD/MDL	Reported to LOQ	Dilution	Reference Method	Date/Time Prepared	Date/Time Analyzed	Analyst
7429-90-5	Aluminum	2170		mg/kg dry	5.32	5.32	1	EPA 6010C Certifications: CTDOH,NELAC-NY10854,NJDEP,PADEP	10/24/2016 11:09	10/24/2016 21:57	KV
7440-36-0	Antimony	ND		mg/kg dry	0.532	0.532	1	EPA 6010C Certifications: CTDOH,NELAC-NY10854,NJDEP,PADEP	10/24/2016 11:09	10/24/2016 21:57	KV
7440-38-2	Arsenic	1.67		mg/kg dry	1.06	1.06	1	EPA 6010C Certifications: CTDOH,NELAC-NY10854,NJDEP,PADEP	10/24/2016 11:09	10/24/2016 21:57	KV
7440-39-3	Barium	7.61		mg/kg dry	1.06	1.06	1	EPA 6010C Certifications: CTDOH,NELAC-NY10854,NJDEP,PADEP	10/24/2016 11:09	10/24/2016 21:57	KV

HA2-279



Sample Information

Client Sample ID: SB-01-3.5-4.0'

York Sample ID: 16J0783-17

York Project (SDG) No.
16J0783

Client Project ID
95th str sewer/water OEGS 15-008-0265

Matrix
Soil

Collection Date/Time
October 21, 2016 10:15 am

Date Received
10/21/2016

Metals, Target Analyte

Log-in Notes: VOA-CONT

Sample Notes:

Sample Prepared by Method: EPA 3050B

CAS No.	Parameter	Result	Flag	Units	LOD/MDL	Reported to LOQ	Dilution	Reference Method	Date/Time Prepared	Date/Time Analyzed	Analyst
7440-41-7	Beryllium	ND		mg/kg dry	0.106	0.106	1	EPA 6010C Certifications: CTDOH,NELAC-NY10854,NJDEP,PADEP	10/24/2016 11:09	10/24/2016 21:57	KV
7440-43-9	Cadmium	ND		mg/kg dry	0.319	0.319	1	EPA 6010C Certifications: CTDOH,NELAC-NY10854,NJDEP,PADEP	10/24/2016 11:09	10/24/2016 21:57	KV
7440-70-2	Calcium	565		mg/kg dry	0.532	5.32	1	EPA 6010C Certifications: CTDOH,NELAC-NY10854,NJDEP,PADEP	10/24/2016 11:09	10/24/2016 21:57	KV
7440-47-3	Chromium	5.28		mg/kg dry	0.532	0.532	1	EPA 6010C Certifications: CTDOH,NELAC-NY10854,NJDEP,PADEP	10/24/2016 11:09	10/24/2016 21:57	KV
7440-48-4	Cobalt	2.51		mg/kg dry	0.532	0.532	1	EPA 6010C Certifications: CTDOH,NELAC-NY10854,NJDEP,PADEP	10/24/2016 11:09	10/24/2016 21:57	KV
7440-50-8	Copper	5.59		mg/kg dry	0.532	0.532	1	EPA 6010C Certifications: CTDOH,NELAC-NY10854,NJDEP,PADEP	10/24/2016 11:09	10/24/2016 21:57	KV
7439-89-6	Iron	4450		mg/kg dry	2.13	2.13	1	EPA 6010C Certifications: CTDOH,NELAC-NY10854,NJDEP,PADEP	10/24/2016 11:09	10/24/2016 21:57	KV
7439-92-1	Lead	1.53		mg/kg dry	0.319	0.319	1	EPA 6010C Certifications: CTDOH,NELAC-NY10854,NJDEP,PADEP	10/24/2016 11:09	10/24/2016 21:57	KV
7439-95-4	Magnesium	905		mg/kg dry	5.32	5.32	1	EPA 6010C Certifications: CTDOH,NELAC-NY10854,NJDEP,PADEP	10/24/2016 11:09	10/24/2016 21:57	KV
7439-96-5	Manganese	40.4		mg/kg dry	0.532	0.532	1	EPA 6010C Certifications: CTDOH,NELAC-NY10854,NJDEP,PADEP	10/24/2016 11:09	10/24/2016 21:57	KV
7440-02-0	Nickel	6.58		mg/kg dry	0.532	0.532	1	EPA 6010C Certifications: CTDOH,NELAC-NY10854,NJDEP,PADEP	10/24/2016 11:09	10/24/2016 21:57	KV
7440-09-7	Potassium	368		mg/kg dry	5.32	5.32	1	EPA 6010C Certifications: CTDOH,NELAC-NY10854,NJDEP,PADEP	10/24/2016 11:09	10/24/2016 21:57	KV
7782-49-2	Selenium	ND		mg/kg dry	1.06	1.06	1	EPA 6010C Certifications: CTDOH,NELAC-NY10854,NJDEP,PADEP	10/24/2016 11:09	10/24/2016 21:57	KV
7440-22-4	Silver	ND		mg/kg dry	0.532	0.532	1	EPA 6010C Certifications: CTDOH,NELAC-NY10854,NJDEP,PADEP	10/24/2016 11:09	10/24/2016 21:57	KV
7440-23-5	Sodium	154		mg/kg dry	10.6	10.6	1	EPA 6010C Certifications: CTDOH,NELAC-NY10854,NJDEP	10/24/2016 11:09	10/24/2016 21:57	KV
7440-28-0	Thallium	ND		mg/kg dry	1.06	1.06	1	EPA 6010C Certifications: CTDOH,NELAC-NY10854,NJDEP,PADEP	10/24/2016 11:09	10/24/2016 21:57	KV
7440-62-2	Vanadium	7.99		mg/kg dry	1.06	1.06	1	EPA 6010C Certifications: CTDOH,NELAC-NY10854,NJDEP,PADEP	10/24/2016 11:09	10/24/2016 21:57	KV
7440-66-6	Zinc	13.3		mg/kg dry	1.06	1.06	1	EPA 6010C Certifications: CTDOH,NELAC-NY10854,NJDEP,PADEP	10/24/2016 11:09	10/24/2016 21:57	KV

Mercury by 7473

Log-in Notes: VOA-CONT

Sample Notes:

Sample Prepared by Method: EPA 7473 soil

CAS No.	Parameter	Result	Flag	Units	LOD/MDL	Reported to LOQ	Dilution	Reference Method	Date/Time Prepared	Date/Time Analyzed	Analyst
7439-97-6	Mercury	ND		mg/kg dry	0.0319	0.0319	1	EPA 7473 Certifications: CTDOH,NJDEP,NELAC-NY10854,PADEP	10/24/2016 06:31	10/24/2016 15:10	KV

HAZ-280



Sample Information

Client Sample ID: SB-01-3.5-4.0' **York Sample ID:** 16J0783-17
York Project (SDG) No. 16J0783 **Client Project ID** 95th str sewer/water OEGS 15-008-0265 **Matrix** Soil **Collection Date/Time** October 21, 2016 10:15 am **Date Received** 10/21/2016

Total Solids

Log-in Notes: VOA-CONT **Sample Notes:**

Sample Prepared by Method: % Solids Prep

CAS No.	Parameter	Result	Flag	Units	LOD/MDL	Reported to LOQ	Dilution	Reference Method	Date/Time Prepared	Date/Time Analyzed	Analyst
solids	* % Solids	93.9		%	0.100	0.100	1	SM 2540G Certifications: CTDOH	10/25/2016 08:57	10/25/2016 12:21	TJM

Sample Information

Client Sample ID: SB-01-COMP **York Sample ID:** 16J0783-18
York Project (SDG) No. 16J0783 **Client Project ID** 95th str sewer/water OEGS 15-008-0265 **Matrix** Soil **Collection Date/Time** October 20, 2016 10:20 am **Date Received** 10/21/2016

Total Petroleum Hydrocarbons-DRO (C10-C28)

Log-in Notes: **Sample Notes:**

Sample Prepared by Method: EPA 3550C

CAS No.	Parameter	Result	Flag	Units	LOD/MDL	Reported to LOQ	Dilution	Reference Method	Date/Time Prepared	Date/Time Analyzed	Analyst
	Total Petroleum Hydrocarbons-DRO	22.2		mg/kg dry	3.78	11.1	1	EPA 8015D Certifications: NELAC-NY10854,NJDEP,PADEP	10/25/2016 14:10	10/27/2016 00:08	AMC
	Surrogate Recoveries	Result			Acceptance Range						
638-68-6	Surrogate: Triacontane	62.3 %			30-150						

Total Petroleum Hydrocarbons-GRO (C5-C10)

Log-in Notes: **Sample Notes:** VOA-CONT

Sample Prepared by Method: EPA 5035A

CAS No.	Parameter	Result	Flag	Units	LOD/MDL	Reported to LOQ	Dilution	Reference Method	Date/Time Prepared	Date/Time Analyzed	Analyst
	Total Petroleum Hydrocarbons-GRO	ND		mg/kg dry	44.5	88.9	100	EPA 8015D Certifications: NELAC-NY10854,NJDEP,PADEP	10/27/2016 12:16	10/27/2016 21:24	OW
	Surrogate Recoveries	Result			Acceptance Range						
460-00-4	Surrogate: p-Bromofluorobenzene	88.5 %			70-130						

Metals, TCLP RCRA

Log-in Notes: **Sample Notes:**

Sample Prepared by Method: EPA 3015A/1311

CAS No.	Parameter	Result	Flag	Units	LOD/MDL	Reported to LOQ	Dilution	Reference Method	Date/Time Prepared	Date/Time Analyzed	Analyst
7440-38-2	Arsenic	ND		mg/L	0.004	0.004	1	EPA 6010C/1311 Certifications: CTDOH,NELAC-NY10854,NJDEP,PADEP	10/25/2016 12:41	10/25/2016 21:15	KV
7440-39-3	Barium	0.105		mg/L	0.011	0.011	1	EPA 6010C/1311 Certifications: CTDOH,NELAC-NY10854,NJDEP,PADEP	10/25/2016 12:41	10/25/2016 21:15	KV
7440-43-9	Cadmium	ND		mg/L	0.003	0.003	1	EPA 6010C/1311 Certifications: CTDOH,NELAC-NY10854,NJDEP,PADEP	10/25/2016 12:41	10/25/2016 21:15	KV
47-3	Chromium	ND		mg/L	0.006	0.006	1	EPA 6010C/1311 Certifications: CTDOH,NELAC-NY10854,NJDEP,PADEP	10/25/2016 12:41	10/25/2016 21:15	KV



Sample Information

Client Sample ID: SB-01-COMP **York Sample ID:** 16J0783-18
York Project (SDG) No. 16J0783 **Client Project ID** 95th str sewer/water OEGS 15-008-0265 **Matrix** Soil **Collection Date/Time** October 20, 2016 10:20 am **Date Received** 10/21/2016

Metals, TCLP RCRA

Log-in Notes:

Sample Notes:

Sample Prepared by Method: EPA 3015A/1311

CAS No.	Parameter	Result	Flag	Units	LOD/MDL	Reported to LOQ	Dilution	Reference Method	Date/Time Prepared	Date/Time Analyzed	Analyst
7439-92-1	Lead	0.018		mg/L	0.003	0.003	1	EPA 6010C/1311 Certifications: CTDOH,NELAC-NY10854,NJDEP,PADEP	10/25/2016 12:41	10/25/2016 21:15	KV
7782-49-2	Selenium	ND	M-SeT C	mg/L	0.011	0.011	1	EPA 6010C/1311 Certifications: CTDOH,NELAC-NY10854,NJDEP,PADEP	10/25/2016 12:41	10/25/2016 21:15	KV
7440-22-4	Silver	ND		mg/L	0.006	0.006	1	EPA 6010C/1311 Certifications: CTDOH,NELAC-NY10854,NJDEP,PADEP	10/25/2016 12:41	10/25/2016 21:15	KV

Mercury TCLP by 7473

Log-in Notes:

Sample Notes:

Sample Prepared by Method: EPA 7473 water

CAS No.	Parameter	Result	Flag	Units	LOD/MDL	Reported to LOQ	Dilution	Reference Method	Date/Time Prepared	Date/Time Analyzed	Analyst
7439-97-6	Mercury	ND		mg/L	0.0000390	0.000200	1	EPA 7473/1311 Certifications: CTDOH,NJDEP,PADEP,NELAC-NY10854	10/26/2016 06:18	10/26/2016 11:23	ALD

Ignitability

Log-in Notes:

Sample Notes:

Sample Prepared by Method: Analysis Preparation

CAS No.	Parameter	Result	Flag	Units	LOD/MDL	Reported to LOQ	Dilution	Reference Method	Date/Time Prepared	Date/Time Analyzed	Analyst
	* Ignitability	Non-Ignit.		-	1	1	1	EPA 1030P Certifications: CTDOH,PADEP	10/21/2016 23:59	10/22/2016 00:15	AA

Total Solids

Log-in Notes:

Sample Notes:

Sample Prepared by Method: % Solids Prep

CAS No.	Parameter	Result	Flag	Units	LOD/MDL	Reported to LOQ	Dilution	Reference Method	Date/Time Prepared	Date/Time Analyzed	Analyst
solids	* % Solids	90.0		%	0.100	0.100	1	SM 2540G Certifications: CTDOH	10/25/2016 08:57	10/25/2016 12:21	TJM

Corrosivity

Log-in Notes:

Sample Notes:

Sample Prepared by Method: Analysis Preparation

CAS No.	Parameter	Result	Flag	Units	LOD/MDL	Reported to LOQ	Dilution	Reference Method	Date/Time Prepared	Date/Time Analyzed	Analyst
	pH	6.21	HT-pH	pH units		0.500	1	EPA 9045D Certifications: NELAC-NY10854,CTDOH,PADEP	10/25/2016 09:02	10/25/2016 16:12	DM1

Reactivity-Cyanide

Log-in Notes:

Sample Notes:

Sample Prepared by Method: Analysis Preparation

CAS No.	Parameter	Result	Flag	Units	LOD/MDL	Reported to LOQ	Dilution	Reference Method	Date/Time Prepared	Date/Time Analyzed	Analyst
	* Reactivity - Cyanide	ND		mg/kg	0.250	0.250	1	EPA SW-846 Ch.7.3.3 Certifications: CTDOH,PADEP	10/28/2016 15:05	10/28/2016 16:39	AD

Reactivity-Sulfide

Log-in Notes:

Sample Notes:

HAZ-282



Sample Information

Client Sample ID: SB-01-COMP

York Sample ID: 16J0783-18

York Project (SDG) No.
16J0783

Client Project ID
95th str sewer/water OEGS 15-008-0265

Matrix
Soil

Collection Date/Time
October 20, 2016 10:20 am

Date Received
10/21/2016

Sample Prepared by Method: Analysis Preparation

CAS No.	Parameter	Result	Flag	Units	LOD/MDL	Reported to LOQ	Dilution	Reference Method	Date/Time Prepared	Date/Time Analyzed	Analyst
	* Reactivity - Sulfide	ND		mg/kg	15.0	15.0	1	EPA SW-846 Ch.7.3.4 Certifications: CTDOH,PADEP	10/28/2016 15:06	10/28/2016 16:39	AD

TCLP Extraction for METALS EPA 1311

Log-in Notes:

Sample Notes:

Sample Prepared by Method: EPA SW 846-1311 TCLP ext. for metals

CAS No.	Parameter	Result	Flag	Units	LOD/MDL	Reported to LOQ	Dilution	Reference Method	Date/Time Prepared	Date/Time Analyzed	Analyst
	TCLP Extraction	Completed		N/A	1.00	1.00	1	EPA 1311 Certifications: NELAC-NY10854,CTDOH,NJDEP,PADEP	10/24/2016 18:13	10/25/2016 13:49	TJM

HAZ-283



Volatile Analysis Sample Containers

Lab ID	Client Sample ID	Volatile Sample Container
16J0783-01	SB-08-3.0-3.5'	2 oz. WM Clear Glass Cool to 4° C
16J0783-02	SB-08-COMP	4 oz. WM Clear Glass Cool to 4° C
16J0783-03	SB-03-3.0-3.5'	2 oz. WM Clear Glass Cool to 4° C
16J0783-04	SB-03-COMP	4 oz. WM Clear Glass Cool to 4° C
16J0783-05	SB-02-0-2.0'	2 oz. WM Clear Glass Cool to 4° C
16J0783-06	SB-02-6.5-7.0'	2 oz. WM Clear Glass Cool to 4° C
16J0783-07	SB-02-COMP	4 oz. WM Clear Glass Cool to 4° C
16J0783-08	SB-04-3.5-4.0'	2 oz. WM Clear Glass Cool to 4° C
16J0783-09	SB-04-COMP	4 oz. WM Clear Glass Cool to 4° C
16J0783-10	SB-06-3.5-4.0'	2 oz. WM Clear Glass Cool to 4° C
16J0783-11	SB-06-COMP	4 oz. WM Clear Glass Cool to 4° C
16J0783-12	SB-07-4.5-5.0'	2 oz. WM Clear Glass Cool to 4° C
16J0783-13	SB-07-COMP	4 oz. WM Clear Glass Cool to 4° C
16J0783-14	SB-05-3.5-4.0'	2 oz. WM Clear Glass Cool to 4° C
16J0783-15	SB-05-3.5-4.0' DUP	2 oz. WM Clear Glass Cool to 4° C
16J0783-16	SB-05-COMP	4 oz. WM Clear Glass Cool to 4° C
16J0783-17	SB-01-3.5-4.0'	2 oz. WM Clear Glass Cool to 4° C
16J0783-18	SB-01-COMP	4 oz. WM Clear Glass Cool to 4° C

HAZ-284



Notes and Definitions

- VOA-CONT NON-COMPLIANT- the container(s) provided by the client for soil volatiles do not meet the requirements of EPA SW846-5035A. Results reported below 200 ug/kg may be biased low due to samples not being collected according to EPA SW846 5035A requirements.
- QR-04 The RPD exceeded control limits for the LCS/LCSD QC.
- M-SeTC It is noted that a known interference with selenium at the analytical line for analysis by ICP is caused by carbon emission from the TCLP or high organics matrix. The data user may subtract the matrix blank value from the data if needed.
- J Detected below the Reporting Limit but greater than or equal to the Method Detection Limit (MDL/LOD) or in the case of a TIC, the result is an estimated concentration.
- IGN-01 Non-Ignit.
- HT-pH HOLDING TIME EXCEEDED. Samples for pH must be measured in the field or within 15 minutes of sample collection.
- GC-Surr Surrogate recovery outside of control limits. The data was accepted based on valid recovery of the alternate surrogate.
- GC-SCu This surrogate recovered below control limits due to extract clean-up required. The alternate surrogate, Decachlorobiphenyl is within control limits.
- EXT-COMP Completed
- CCV-E The value reported is ESTIMATED. The value is estimated due to its behavior during continuing calibration verification (>20% Difference for average Rf or >20% Drift for quadratic fit).
- B Analyte is found in the associated analysis batch blank. For volatiles, methylene chloride and acetone are common lab contaminants.
-
- * Analyte is not certified or the state of the samples origination does not offer certification for the Analyte.
- ND NOT DETECTED - the analyte is not detected at the Reported to level (LOQ/RL or LOD/MDL)
- RL REPORTING LIMIT - the minimum reportable value based upon the lowest point in the analyte calibration curve.
- LOQ LIMIT OF QUANTITATION - the minimum concentration of a target analyte that can be reported within a specified degree of confidence. This is the lowest point in an analyte calibration curve that has been subjected to all steps of the processing/analysis and verified to meet defined criteria. This is based upon NELAC 2009 Standards and applies to all analyses.
- LOD LIMIT OF DETECTION - a verified estimate of the minimum concentration of a substance in a given matrix that an analytical process can reliably detect. This is based upon NELAC 2009 Standards and applies to all analyses conducted under the auspices of EPA SW-846.
- MDL METHOD DETECTION LIMIT - a statistically derived estimate of the minimum amount of a substance an analytical system can reliably detect with a 99% confidence that the concentration of the substance is greater than zero. This is based upon 40 CFR Part 136 Appendix B and applies only to EPA 600 and 200 series methods.
- Reported to This indicates that the data for a particular analysis is reported to either the LOD/MDL, or the LOQ/RL. In cases where the "Reported to" is located above the LOD/MDL, any value between this and the LOQ represents an estimated value which is "J" flagged accordingly. This applies to volatile and semi-volatile target compounds only.
- NR Not reported
- RPD Relative Percent Difference
- Wet The data has been reported on an as-received (wet weight) basis
- Low Bias Low Bias flag indicates that the recovery of the flagged analyte is below the laboratory or regulatory lower control limit. The data user should take note that this analyte may be biased low but should evaluate multiple lines of evidence including the LCS and site-specific MS/MSD data to draw bias conclusions. In cases where no site-specific MS/MSD was requested, only the LCS data can be used to evaluate such bias.
- High Bias High Bias flag indicates that the recovery of the flagged analyte is above the laboratory or regulatory upper control limit. The data user should take note that this analyte may be biased high but should evaluate multiple lines of evidence including the LCS and site-specific MS/MSD data to draw bias conclusions. In cases where no site-specific MS/MSD was requested, only the LCS data can be used to evaluate such bias.



Non-Dir. Non-dir. flag (Non-Directional Bias) indicates that the Relative Percent Difference (RPD) (a measure of precision) among the MS and MSD data is outside the laboratory or regulatory control limit. This alerts the data user where the MS and MSD are from site-specific samples that the RPD is high due to either non-homogeneous distribution of target analyte between the MS/MSD or indicates poor reproducibility for other reasons.

If EPA SW-846 method 8270 is included herein it is noted that the target compound N-nitrosodiphenylamine (NDPA) decomposes in the gas chromatographic inlet and cannot be separated from diphenylamine (DPA). These results could actually represent 100% DPA, 100% NDPA or some combination of the two. For this reason, York reports the combined result for n-nitrosodiphenylamine and diphenylamine for either of these compounds as a combined concentration as Diphenylamine.

If Total PCBs are detected and the target aroclors reported are "Not detected", the Total PCB value is reported due to the presence of either or both Aroclors 1262 and 1268 which are non-target aroclors for some regulatory lists.

2-chloroethylvinyl ether readily breaks down under acidic conditions. Samples that are acid preserved, including standards will exhibit breakdown. The data user should take note.

Certification for pH is no longer offered by NYDOH ELAP.

Semi-Volatile and Volatile analyses are reported down to the LOD/MDL, with values between the LOD/MDL and the LOQ being "J" flagged as estimated results.

For analyses by EPA SW-846-8270D, the Limit of Quantitation (LOQ) reported for benzidine is based upon the lowest standard used for calibration and is not a verified LOQ due to this compound's propensity for oxidative losses during extraction/concentration procedures and non-reproducible chromatographic performance.

Field Chain-of-Custody Record

York Project No. 14, 15, 783

NOTE: York's Std. Terms & Conditions are listed on the back side of this document. This document serves as your written authorization to York to proceed with the analyses requested and your signature binds you to York's Std. Terms & Conditions.

YOUR Information		Report To:		Invoice To:		YOUR Project ID		Turn-Around Time		Report Type	
Company: <u>Libo Engineers</u>	Company: <u>Libo Engineers</u>	Company: <u>Libo Engineers</u>		Company: <u>Libo Engineers</u>		<u>95th St. Power/Utility</u>		RUSH - Same Day <input type="checkbox"/>		Summary Report <input checked="" type="checkbox"/>	
Address: <u>703 Commonwealth</u>	Address: <u>690 Delaware</u>	Address: <u>690 Delaware</u>		Address: <u>690 Delaware</u>		<u>0EGS 15-008-0265</u>		RUSH - Next Day <input type="checkbox"/>		Summary w/ QA Summary <input type="checkbox"/>	
Phone No: <u>318 936 8359</u>	Phone No: <u>716 882 5776</u>	Phone No: <u>716 882 5776</u>		Phone No: <u>716 882 5776</u>		Purchase Order No.		RUSH - Two Day <input type="checkbox"/>		CT RCP Package <input type="checkbox"/>	
Contact Person: <u>Amy Lawson</u>	Contact Person: <u>Amy Lawson</u>	Contact Person: <u>Amy Lawson</u>		Contact Person: <u>Amy Lawson</u>				RUSH - Three Day <input type="checkbox"/>		NY ASPA Package <input type="checkbox"/>	
E-Mail Address: <u>hewson@libo.com</u>	E-Mail Address: <u>libo@libo.com</u>	E-Mail Address: <u>libo@libo.com</u>		E-Mail Address: <u>libo@libo.com</u>				RUSH - Four Day <input type="checkbox"/>		NY ASP B Package <input type="checkbox"/>	
								Standard (5 Days) <input checked="" type="checkbox"/>		NIDEP Red. Deliv. <input type="checkbox"/>	
										Electronics Data Delivery (EDD) <input type="checkbox"/>	

Print Clearly and Legibly. All Information must be complete. Samples will NOT be logged in and the turn-around time clock will not begin until any questions by York are resolved.

Samples Collected/Authorized By (Signature): EWA JAKUBOWSKA

Name (printed): EWA JAKUBOWSKA

Matrix Codes	Volatiles	Semi-Volatiles	Metals	Misc.
S - soil	8360 list	8360 list	TPH GRO	Commodity
Other - specify (oil, soil)	TIC	8360 PCB	TPH DRD	Reactivity
WW - wastewater	Site Spec.	808 PCB	CT ETPH	Leachability
GW - groundwater	Nassau Co.	3081 Pest	CT ETPH	Fluor. Prod.
DW - drinking water	BTEX	315 Herb	CT ETPH	Screen Anal.
Air-A - ambient air	MITBE	CT RCP	NY 310-13	Hydrocarbons
Air-SV - soil vapor	TCLUR	App. IX	NY 1664	TOX
	TAGM list	Site Spec.	Air 11/1A	BTX
	CT RCP list	Site Spec.	Air 10/S	App. 16
	Avion. only	CT RCP list	AM STARS	App. 16
	502.2	TCLP list	SPB TUP	App. 16
	502.2	NIDEP list	App. 16	App. 16
	Historic only	App. IX	App. 16	App. 16
	App. IX list	CT RCP list	Metals	App. 16
	502.3 list	SPB TUP	Metals	App. 16

Sample Identification	Date/Time Sampled	Sample Matrix	Choose Analyses Needed from the Menu Above and Enter Below	Container Description(s)
SB-08-3.0-3.5	10/20/16 0900	soil	TCL VOCs, SVOCs, PCBs, Pesticides, TAL Metals, 8360 PCB, 3081 Pest, 315 Herb	2oz, 8 oz
SB-08-comp	0905	soil	TPHC Decolor, PCBs, Pesticides, TAL Metals	4oz, 8oz
SB-03-3.0-3.5	0945	soil	TCL VOCs, SVOCs, PCBs, Pesticides, TAL Metals	2oz, 8oz
SB-03-comp	0950	soil	TPHC Decolor, PCBs, Pesticides, TAL Metals	2oz, 8oz
SB-02-0-2.0	1040			2oz, 8oz
SB-02-6.5-7.0	1045			4oz, 8oz
SB-02-comp	1050			2oz, 8oz
SB-04-3.5-4.0	1145			4oz, 8oz
SB-04-comp	1150			2oz, 8oz
B-06-3.5-4.0	1215			4oz, 8oz

Comments: Grab samples: TCL VOCs, SVOCs, PCBs, Pesticides, TAL Metals, composite samples: TPHC Decolor, PCBs characteristics, TCL VOCs metals

Preservation: Frozen InAC HCl MOB HNO H₂O NaOH

Special Instructions: Lab to Filter

Samples Relinquished By: EWA JAKUBOWSKA Date/Time: 10/21/16

Samples Received By: EWA JAKUBOWSKA Date/Time: 10/21/16

Samples Relinquished in LAB by: EWA JAKUBOWSKA Date/Time: 10/21/16

Temperature on Receipt: 22.0

HAZ-287



YORK ANALYTICAL LABORATORIES
120 RESEARCH DR.
SPRINGFIELD, CT 06615
(203) 325-1371
FAX (203) 357-0166

Field Chain-of-Custody Record

York Project No. 10107833

NOTE: York's Std. Terms & Conditions are listed on the back side of this document. This document serves as your written authorization to York to proceed with the analyses requested and your signature binds you to York's Std. Terms & Conditions.

YOUR INFORMATION		REPORT TO:		INVOICE TO:		YOUR PROJECT ID		TURN-AROUND TIME		REPORT TYPE			
Company: UDO Engineers	Company: UDO Engineers	Company: UDO Engineers	Company: UDO Engineers	Company: UDO Engineers	Company: UDO Engineers	Company: UDO Engineers	Company: UDO Engineers	Company: UDO Engineers	Company: UDO Engineers	Company: UDO Engineers	Company: UDO Engineers		
Address: 703 Holmes St.	Address: 703 Holmes St.	Address: 703 Holmes St.	Address: 703 Holmes St.	Address: 703 Holmes St.	Address: 703 Holmes St.	Address: 703 Holmes St.	Address: 703 Holmes St.	Address: 703 Holmes St.	Address: 703 Holmes St.	Address: 703 Holmes St.	Address: 703 Holmes St.		
Phone No: 832 5476	Phone No: 832 5476	Phone No: 832 5476	Phone No: 832 5476	Phone No: 832 5476	Phone No: 832 5476	Phone No: 832 5476	Phone No: 832 5476	Phone No: 832 5476	Phone No: 832 5476	Phone No: 832 5476	Phone No: 832 5476		
Contact Person: Amy Hewson	Contact Person: Amy Hewson	Contact Person: Amy Hewson	Contact Person: Amy Hewson	Contact Person: Amy Hewson	Contact Person: Amy Hewson	Contact Person: Amy Hewson	Contact Person: Amy Hewson	Contact Person: Amy Hewson	Contact Person: Amy Hewson	Contact Person: Amy Hewson	Contact Person: Amy Hewson		
E-Mail Address: hewson@udo.com	E-Mail Address: hewson@udo.com	E-Mail Address: hewson@udo.com	E-Mail Address: hewson@udo.com	E-Mail Address: hewson@udo.com	E-Mail Address: hewson@udo.com	E-Mail Address: hewson@udo.com	E-Mail Address: hewson@udo.com	E-Mail Address: hewson@udo.com	E-Mail Address: hewson@udo.com	E-Mail Address: hewson@udo.com	E-Mail Address: hewson@udo.com		
<p>Print Clearly and Legibly. All Information must be complete. Samples will NOT be logged in and the turn-around time clock will not begin until any questions by York are resolved.</p> <p>Matrix Codes S - soil Other - specify (oil, etc.) W-W - wastewater GW - groundwater DW - drinking water Air-A - ambient air Air-V - soil vapor</p>		<p>Volatiles E240 full TICs Site Spec. Nassau Co. Suffolk Co. Kratons Oxygens TCLP list TCLP list CT RCP list Arom. only Halog. only NIDEP list App. IX SP/Per/TOT SP/IB list</p>		<p>Semi-Vols. Perchlorated 808/PCB 808/PCB 808/PCB 813/Herb CT RCP App. IX Site Spec. SP/Per/TCLP Total TCLP list NIDEP list Chloride ICLP/BNA SP/Per/PCR</p>		<p>Misc. Org. TPH GRO TPH GRO CT LTPH NY 310-17 TADM list TADM list Air TO-14A Air TO-15 Air STARS SP/Per/TCLP Air VME Air VOC Methane Pesticides</p>		<p>Full Labs Per. Poll TCL Dioxins TAL MeCN Toll TCLP Full App. IX Per. 808/PCB Per. 808/PCB Per. 808/PCB Per. 808/PCB NYSDDES TAMM</p>		<p>Misc. Cyanide Reactivity Ignitability Flash Point Sewer Anal. Resuspension PCW BTU. B. Asphalts, Tex TOC NYSU TAMM</p>		<p>Summary Report Summary w/ QA Summary CT RCP Package CT RCP DQA/DUE Pkg NY ASP A Package NY ASP B Package NIDEP Red. Deliv. Electronic Data Deliverables (EDD) Simple Excel NYSDEC EQUIS EQUIS (std) EZ-EDD (EQUIS) NIDEP SRP Haz-Site EDD GISKEY (std) Other PDF York Regulatory Comparison Excel Spreadsheet Comments to be followed, Resp. (check in a)</p>	
<p>Choose Analyses Needed from the Menu Above and Enter Below</p>													
Sample Matrix	Date/Time Sampled	<p>TPHC Diox/PCB, PCB Character, TOL PCBs Metals 402, 802 TCL VOCs, SVOC, PCBs, Pesticides, TAL Metals 202, 802</p>											
SB-06-COMP	10/20/16 1220	↓											
SB-07-4.5-50'	1315	↓											
SB-07-COMP	1320	↓											
SB-05-3.5-4.0	10/21/16 0825	↓											
SB-05-3.5-4.0 DUF	0830	↓											
SB-05-COMP	0835	↓											
SB-01-3.5-4.0'	1015	↓											
SB-01-COMP	1020	↓											
<p>Comments: Grab samples: TCL VOCs, SVOC, PCBs, Pesticides, TAL Metals, Composite samples: TPHC Diox/PCB, CPA characteristics, TOL PCB metals</p>													
<p>Preservation: Check those Applicable Special Instructions: Field Filtered <input type="checkbox"/> Lab to Filter <input type="checkbox"/></p>		<p>4C <input checked="" type="checkbox"/> Frozen <input type="checkbox"/> HCl <input type="checkbox"/> MeOH <input type="checkbox"/> HNO₃ <input type="checkbox"/> H₂O <input type="checkbox"/> NaOH <input type="checkbox"/></p>		<p>Samples Requisitioned By: <u>Eva J</u> Date/Time: <u>10/21/16</u></p>		<p>Samples Received By: <u>U. Blawie</u> Date/Time: <u>10/21/16 12:30</u></p>		<p>Samples Requisitioned By: <u>U. Blawie</u> Date/Time: <u>10/21/16 1905</u></p>		<p>Samples Received in LAB by: <u>U. Blawie</u> Date/Time: <u>10/21/16 1905</u></p>		<p>Temperature on Receipt: <u>3.2°C</u></p>	

HA2-288

BMP - PAGES

**SPECIFICATIONS FOR CONSTRUCTION OF
BEST MANAGEMENT PRACTICE (BMP) AND
MITIGATION AREA**

NOTICE

THE PAGES CONTAINED IN THIS SECTION ARE ISSUED FOR THE PURPOSE OF SPECIFYING THE REQUIREMENTS OF THE CONTRACT DOCUMENTS AND HEREBY MADE PART OF SAID CONTRACT DOCUMENTS.

(NO TEXT ON THIS PAGE)

CONSTRUCTION OF STORM SEWER IN 95TH STREET
(162ND AVE FROM 95TH STREET TO 97TH STREET)
QUEENS, NY

SPECIFICATIONS FOR

CONTRACT SEQ-200490

SPECIFICATIONS FOR SEDIMENT AND EROSION CONTROL,
GRADING AND EARTHWORK, AND LANDSCAPING FOR
THE CONSTRUCTION SITES

February 2016

Prepared for the NYC Department of Design and Construction

By Hazen and Sawyer, P.C.

DIVISION VII - DETAILED SPECIFICATIONS –
CONTRACT SEQ-200490

TABLE OF CONTENTS

CONSTRUCTION OF BEST MANAGEMENT PRACTICES

SPECIFIC PROVISIONS

<u>Section No.</u>	<u>Title</u>	<u>Page No.</u>
7.01	Location of Work.....	BMP-7
7.02	Work Included.....	BMP-7
7.03	Inspection Before Bidding and Mandatory Pre-Bid Conference.....	BMP-10
7.04	Standard Sewer and Water Main Specifications.....	BMP-10
7.05	Inspection by the City, State and Federal Government.....	BMP-11
7.06	Existing Utilities.....	BMP-11
7.07	Permits Required.....	BMP-11
7.08	Land for Contractor's Use.....	BMP-12
7.09	Licensed Surveyor for Engineer's Use.....	BMP-12
7.10	Construction – Special Requirements.....	BMP-13
7.11	Transportation and Handling of Materials and Equipment.....	BMP-17
7.12	Protection of Materials and Equipment at the Site.....	BMP-19
7.13	Final Cleaning.....	BMP-20
7.14	OSHA Requirements.....	BMP-21
7.15	No Separate Payment.....	BMP-21
7.16	Bid Breakdown.....	BMP-21
7.17	Detailed Work Description.....	BMP-21

DIVISION VII - DETAILED SPECIFICATIONS –
CONTRACT SEQ-200490

STRUCTURES AND MISCELLANEOUS EQUIPMENT

<u>Section No.</u>	<u>Title</u>	<u>Page No.</u>
7.101	Work Included.....	BMP-23
7.102	Dewatering.....	BMP-24
7.107-B	Rip-Rap Stone/Angular Natural Field Stone.....	BMP-31
7.109-B	Separation Geotextile Fabric.....	BMP-36

DIVISION VII - DETAILED SPECIFICATIONS –
CONTRACT SEQ-200490

EARTHWORK AND GRADING

<u>Section No.</u>	<u>Title</u>	<u>Page No.</u>
7.300	Work Included.....	BMP-37
7.307-A	Grading.....	BMP-44
7.308	Fill On-Site.....	BMP-46

DIVISION VII - DETAILED SPECIFICATIONS –
CONTRACT SEQ-200490

LANDSCAPING AND RESTORATION

<u>Section No.</u>	<u>Title</u>	<u>Page No.</u>
7.400	Work Included	BMP-47
7.401	Landscaping for Terrestrial Zone and Wetland Zone	BMP-48
7.404-A	Restoration Specialist (Construction Monitor)	BMP-71
7.404-B	Erosion and Sediment Control Licensed/Certified Professional	BMP-75
7.411	Watering and Weeding During the Guarantee Period	BMP-88
7.418-A	Clean Sand for Restored Area.....	BMP-97

DIVISION VII - DETAILED SPECIFICATIONS –
CONTRACT SEQ-200490

EROSION AND SEDIMENTATION CONTROL MEASURES

<u>Section No.</u>	<u>Title</u>	<u>Page No.</u>
7.500	Soil Erosion and Sedimentation Control Measures	BMP-99
7.501	Maintenance of Erosion Control Measures	BMP-102
7.504-A	Silt Fence	BMP-106
7.509-A	Stabilized Construction Entrance	BMP-113
7.510	Portable Sediment Tank	BMP-116
7.516	Turbidity Curtain	BMP-123

DIVISION VII - DETAILED SPECIFICATIONS –
CONTRACT SEQ-200490

OUTFALL CONSTRUCTION
DIVISION VII

SPECIFIC PROVISIONS

7.01 LOCATION OF WORK

Work under this Contract is to be performed within the public right-of-way and in Shellbank Basin, west of 95th Street, in Queens, New York. Specifically, the work will occur west of the intersection of 95th Street and 162nd Avenue. The site is on property owned and regulated by the City of New York.

7.02 WORK INCLUDED

The work under this Contract includes the erosion and sediment control measures during the construction of a new outfall and the installation of a splash pad. The following descriptions of work included under this Contract are general descriptions only and shall not be construed as a complete description of the work to be performed.

A. The principal items of work include:

1. Erosion and sediment control measures during construction:

This shall entail the erosion and sediment control measures during the construction of the storm sewer outfall. Specifications and plans for this work are included in this Addendum.

2. Outfall Construction for Storm Sewer Networks

This entails excavation of trenches and layout of storm sewer outfall pipelines. The specifications and plans for this work are included elsewhere in these Contract Documents, not in this Addendum.

3. Splash Pad Installation

This entails the construction and installation of a splash pad for the new storm sewer outfall. Specifications and plans for this work are included herein and on Section 5B of the New York Standards and Specifications for Erosion and Sediment Control, 2005 edition.

4. Site Restoration

DIVISION VII - DETAILED SPECIFICATIONS –
CONTRACT SEQ-200490

The entire Project site will be restored upon project completion as per the Contract Drawings. Specifications and plans for this work are included in this Addendum and elsewhere in these Contract Documents.

B. Involved Agencies and Firms

Before bidding, the contractor shall become familiar with the following involved agencies and firms and their respective responsibilities in the project:

1. New York City Department of Design and Construction (NYCDDC)

The NYCDDC will administer and inspect the Contractor's work with regard to all aspects of the Contract, including managing the overall project schedule, sequencing of the project and construction. The NYCDDC will handle permit compliance in relation to the sewer outfall construction. Whenever reference is made in these specifications to "the Engineer", it means the Resident Engineer on site, hired by NYCDDC.

2. New York City Department of Environmental Protection (DEP)

This City agency will maintain the facilities where the outfall is to be re-constructed under this project.

3. New York State Department of Environmental Conservation (NYSDEC)

This State Agency will be issuing a tidal wetland permit authorizing work in regulated areas to be performed under this Contract. This Agency has the regulatory authority to inspect the work site in order to ensure that permit requirements are not violated.

4. Hazen and Sawyer, P.C.

This engineering firm is the design consultant for all the work contained in these specifications. They are engaged by NYCDDC.

5. United States Army Corp of Engineers

DIVISION VII - DETAILED SPECIFICATIONS –
CONTRACT SEQ-200490

This Federal Agency issues permits for all work within Federal jurisdiction wetlands. This agency has the regulatory authority to inspect the work site in order to ensure that permit requirements are not violated.

6. Restoration Specialist (Construction Monitor)

The Restoration Specialist shall be retained by the Contractor. The Restoration Specialist shall supervise all restoration and landscaping work performed by the Contractor and his/her Subcontractors for the duration of the project, in accordance with the plans, specifications and directions of the Engineer. The individual or firm filling this position will be responsible for oversight of the complete outfall and splash pad installation. This individual or firm will be familiar with the erosion and sediment control plan for the entire outfall site, and oversee all work in wetland areas and ensuring that the work adheres to permit requirements. The Restoration Specialist is responsible for compliance with the permit as it relates to outfall construction. The exact powers of the Restoration Specialist (Construction Monitor) are stipulated in the wetland permit.

C. Qualifications of Contractor/Subcontractor

1. The Contractor shall have performed at least three (3) contracts that involved the installation and maintenance of soil erosion and sediment control devices during construction of a project.

To support the Contractor's contention that he/she is qualified, the Contractor shall be able to provide the following information in a Statement of Qualifications, as detailed in the paragraph below.

Provide specific details on the projects (i.e., location, size cost, client, etc.). Provide client contact person's name and telephone number. Describe regulatory requirements of the erosion control devices. Describe any problems encountered during construction and operation of the devices. Discuss corrective actions taken to remedy the problem. Describe any violations issued by regulatory agencies. How were the violations resolved? Provide chronological photos recording the progress of construction and operation of the erosion control devices, including preconstruction through operation during site construction and restoration after construction.

DIVISION VII - DETAILED SPECIFICATIONS –
CONTRACT SEQ-200490

Within three (3) days upon request by the City the Contractor shall identify a Certified Professional in Erosion and Sediment Control who will be responsible for implementation of this aspect of the project. The Contractor shall also provide a copy of the certification for the person so identified.

2. The Contractor must be able to complete and submit to DCC the Statement of Qualifications described in this Section within three (3) calendar days after requested to do so by DCC.

7.03 INSPECTION BEFORE BIDDING AND MANDATORY PRE-BID CONFERENCE

Before bidding the Contractor shall visit the site of the work. The Contractor shall obtain all necessary information, and make his own determinations of any and all conditions which may affect in any way the performance of his work and his bid prices under these Contracts. All pertinent data and dimensions with regard to existing construction shall be verified by the Contractor.

Access to the site for inspection purposes prior to bidding is on a continual basis, since the site is a public property.

All bidders are required to attend a mandatory pre-bid conference, if one should be scheduled. Exact time and place meeting place is to be announced later.

7.04 STANDARD SEWER AND WATER MAIN SPECIFICATIONS

- a. Roadway Repair and Resurfacing

Unless otherwise specified, all work, materials, and equipment shall conform to the applicable sections of the City of New York Department of Transportation Standard Highway Specifications.

- b. Sewer Work

Unless otherwise specified, all work, materials, and equipment shall conform to the applicable sections of the New York City Department of Environmental Protection Bureau of Water and Sewer Operations Standard Sewer and Water Main Specifications.

DIVISION VII - DETAILED SPECIFICATIONS –
CONTRACT SEQ-200490

7.05 INSPECTION BY THE CITY, STATE AND FEDERAL GOVERNMENT

The Contractor shall provide proper facilities for inspection and access to the work at all times, whenever it is in preparation and progress, for authorized representatives of the City, State and Federal Governments, the latter two in the presence of the Engineer.

7.06 EXISTING UTILITIES

All subsurface utility and structure information shown on the Contract Drawings were obtained from various plans and maps and field investigations, however, it is not guaranteed to be complete or accurate. It shall be the Contractor's responsibility to locate all such necessary utilities or structures by the digging of test pits prior to the start of construction and/or by contracting the Joint Underground Locating Service (JULS). No separate payment will be made for test pits or any other work related to locating existing utilities. During the progress of the work, the Contractor shall protect from damage any existing utilities or services within the work areas until, if required, they have been re-routed, disconnected or capped off.

7.07 PERMITS REQUIRED

The Contractor is advised that NYCDDC has filed a joint application for permit with the New York State Department of Environmental Conservation (NYSDEC), the United States Army Corps of Engineers (USACE), the New York State Department of State (NYS DOS) and the New York City Department of City Planning. No work shall commence until the above-mentioned permit has been obtained for this project. As the application is being processed, it shall be the Contractor's responsibility to obtain and update the said permit.

The Contractor shall also become familiar with the following permits approvals which will be obtained by NYCDDC:

- New York State Department of Environmental Conservation – Excavation and Fill in Navigable Waters;
- New York State Department of Environmental Conservation – 401 Water Quality Certification;
- New York State Department of Environmental Conservation – Tidal Wetlands;

DIVISION VII - DETAILED SPECIFICATIONS –
CONTRACT SEQ-200490

- New York State Department of Environmental Conservation – SPDES General Permit GP-0-15-002;
- U.S. Army Corps of Engineers Nationwide Permit 7 – Outfall Structures and Associated Intake Structures;
- New York State Department of State - Coastal Consistency Concurrence;
- New York City Planning Commission Waterfront Revitalization (Coastal Zone) Consistency Determination.

The Contractor shall obtain all necessary permits as outlined in NYCDOT Standard Specifications, Section 1.06.23.

The Contractor is responsible for performing all work in compliance with all permit requirements, including the 5-year monitoring requirement required by the NYSDEC/USACE permits. No separate or additional payment shall be made to the Contractor for complying with the above requirements, and obtaining and updating of said permits. The cost of such work shall be deemed included in the prices bid for all contract items of work.

7.08 LAND FOR CONTRACTOR'S USE

It is the responsibility of the Contractor to acquire land for staging area and/or use as a construction equipment and material storage yard. Staging area, stock pile sites, and other storage locations shall be protected from erosion and stormwater runoff.

7.09 LICENSED SURVEYOR FOR ENGINEER'S USE

A. Work Included

The Contractor shall engage the services of a New York State licensed surveyor as approved by the Engineer and reporting directly to the Engineer to make such surveys, as-builts, soundings, cross sections or other measurements as may be required by the Engineer for wetland mitigation construction. Surveying services included in the item are for the sole use of the Engineer. The surveyor may be used by the Engineer to verify grades, but surveying services needed for activities not related to wetland mitigation construction is the responsibility of the Contractor and is not provided under this item.

DIVISION VII - DETAILED SPECIFICATIONS –
CONTRACT SEQ-200490

The Contractor for this Contract shall include in his total bid a per diem cost for the services performed by the Licensed Surveyor. This cost shall be shown on the Bid Schedule of Prices as Item No. BMP-7.09.

The cost proposals shall include unit prices on a per diem basis and shall include all necessary equipment, including vehicles for the Surveyors.

The cost proposals shall be submitted to the Engineer for evaluation and selection.

B. Measurement and Payment

Measurement for payment shall be on a per diem basis. One day shall consist of any eight (8) hour time period from 7:00 AM to 6:00 PM Monday through Friday plus travel time, not including holidays. The per diem rate shall include the services of a three man surveying crew. The Engineer shall be present during the progress of Work and the Engineer shall deem as to whether a full eight hour period had been employed in completing the Work, and as to whether the Contractor has utilized his crew at the productivity output required to complete the Work as anticipated. The surveyor will submit invoices to the Engineer, which will be forwarded to the Contractor for prompt payment. Payments shall be made for invoiced costs only, with no payment for overhead and profit.

7.10 CONSTRUCTION - SPECIAL REQUIREMENTS

A. Field Measurements

The Contractor shall take all necessary measurements in the field to determine the exact dimensions for all work and verify all pertinent data and dimensions shown on the Contract Drawings.

B. Excavated Material

Unsuitable excavated material shall be removed from the site together with all debris encountered in the excavations and the costs of such removal and disposal shall be included in the unit price bid for the applicable items in this Contract.

C. Access Requirements

The Contractor is advised that he shall provide access to the sites of the work for all other Contractors and that access to the sites of the work

DIVISION VII - DETAILED SPECIFICATIONS –
CONTRACT SEQ-200490

performed under all contracts shall be closely coordinated and scheduled with all other Contractors at the various sites during the life of this Contract.

D. Connections to Existing Piping

Connections to existing piping shall be made to permit ready disconnection of equipment with minimum disturbance of adjoining piping and equipment. The Contractor shall be responsible for the exact alignment of all piping with the existing piping and associated equipment and under no circumstances will pipe springing be allowed.

E. Noise Control

The Contractor shall implement noise control measures during construction including limits on the hours of operation and compliance with sound level standards. Those measures will comply with NYC and Federal noise requirements. The Contractor shall comply with the NYC Noise Code. No separate payment shall be made for this work; the cost thereof shall be included in the bid price for other items.

F. Dust Control

During construction, all appropriate fugitive dust control, including watering of exposed areas and using dust covers for trucks shall be employed. These measures include satisfying Section 1402.2-9.11 of the New York City Air Pollution Code. To prevent fugitive dust from construction activities from becoming airborne, the following measures are proposed:

- Use of water or surfactant to control dust in the construction operations and during the clearing and grading of land;
- Application of water to dirt paths, materials, stockpiles, and other surfaces that can generate airborne dust over extended periods. Construction of accessways would be built with properly sized stone or concrete equivalent over filtering material;
- Covering open-body trucks transporting materials likely to generate airborne dust at all times when in motion; and
- Prompt removal of earth or other material from paved streets where earth or other material has been deposited by trucking or earth-moving equipment, erosion by water, or other means.

DIVISION VII - DETAILED SPECIFICATIONS –
CONTRACT SEQ-200490

No separate payment shall be made for this work; the cost thereof shall be included in the bid price for other items.

G. Sequence of Construction

All work shall be completed in accordance with the Contract Drawings, and upon approval of the Engineer. All work shall be done in a manner to minimize disturbance to the natural area and existing vegetation. Stake out and receive approval from the Restoration Specialist for the limits of work before beginning any clearing.

1. Install perimeter erosion control measures around the work area. If clearing is required for installation of a particular measure, all measures not requiring clearing shall be installed first. Clearing of the necessary land for installation of the particular measure may then proceed.
2. Install stabilized construction entrance. The contractor shall maintain the stabilized construction entrance to prevent the deposition of materials onto the public roadway. All materials deposited onto the public roadway shall be removed immediately.
3. Perform site clearing, grubbing, and debris removal.
4. Install approved dewatering measures to discharge below the mean lower low water line. A portable sediment tank, or approved equal, shall be used to treat dewatering effluent prior to discharge. Discharge location shall be in a location that will not cause erosion and must be approved by the engineer. The engineer may direct the contractor to install an approved erosion control measure such as a riprap apron for dewatering effluent if necessary to prevent erosion. Installation of such a measure will be at no additional cost and included in the price bid for all work.
5. Install turbidity curtain as shown or as approved by the Engineer. Install cofferdam, or other approved method, following turbidity curtain installation. Top of cofferdam shall be at least 2 feet above the mean higher high water line to isolate the work area from tidal influence. The work area shall contain no standing water and all work below the mean higher high water line shall be conducted within the confines of a cofferdam or other approved method. Construction materials including but not limited to debris, sediment, and fresh concrete shall be prevented from entering the waterways.

DIVISION VII - DETAILED SPECIFICATIONS –
CONTRACT SEQ-200490

6. Install the proposed splash pad, sewer pipe, and outfall structure. Perform site grading as necessary to establish final grades of the splash pad as shown.
7. Excavate the remainder of the site to a depth of at least 1 foot below existing grade or to such a depth as to remove all Phragmites root rhizomes and root mass on site as directed by the Engineer and Restoration Specialist. Excavated material containing Phragmites rhizomes and root mass shall be removed from the site and disposed of at an approved disposal site. The existing wetlands outside the limits of silt fence shall not be disturbed or destabilized during excavation. All excavation activities in the area to be landscaped/restored shall be conducted during periods of low tide when water elevations are below the excavation depth, which will eliminate the need for dewatering. Excavation activities shall be conducted from upland portions of the project site using a long reach track excavator or equivalent to minimize ground disturbance.
8. Backfill the project site with clean sand, as per Contract Specifications, to the final elevations shown on the Contract Drawings.
9. Allow 5 days of tidal flushing in the landscaped/restored area.
10. Inspect the site for settling, performing hand grading and fill to the final grades shown on the contract drawings. All wetland surfaces shall be finished not more than 0.10 feet above or below the final grade shown on the contract drawings. Upland surfaces shall not be more than 1.0 feet above or below the final grade shown on the contract drawings.
11. Perform landscaping as per the contract drawings.
12. Once all areas have been stabilized, remove temporary perimeter erosion and sediment control measures. Stabilize and landscape the areas within the footprint of the temporary perimeter erosion and sediment control measures
13. Upon removal of the stabilized construction entrance, excavate 6 inches below existing grade within the construction entrance footprint, backfill with clean sand to restore existing grade, and seed.

DIVISION VII - DETAILED SPECIFICATIONS –
CONTRACT SEQ-200490

7.11 TRANSPORTATION AND HANDLING OF MATERIALS AND EQUIPMENT

A. General

1. Contractor shall make all arrangements for transportation, delivery, handling and rigging of equipment and materials required for prosecution and completion of the work.
2. Working space on the site is limited. Equipment shall not be delivered to the site until it can be moved directly to the area where it will be utilized.
3. If necessary to move stored materials and equipment during construction, the Contractor shall move or cause to be moved materials and equipment without any additional compensation.
4. The Contractor shall take all necessary provisions to prevent inadvertent deposition and spillage of excavated soils or other materials that are being transported from the project site. The Contractor must employ the use of the truck tracing pad, wheel washing stations or other equipment deemed necessary to prevent spillage and deposition from vehicles from other construction equipment.

B. Delivery

1. The Contractor shall arrange deliveries of products in accordance with construction schedules and in ample time to facilitate inspection prior to installation.
2. Coordinate deliveries to avoid conflict with work and conditions at the site and to accommodate the following:
 - a. Work of other Contractors.
 - b. Limitations of storage space.
 - c. Availability of equipment and personnel for handling products.
3. Do not have products delivered to project site until related Working Drawings have been approved by the Engineer.

DIVISION VII - DETAILED SPECIFICATIONS --
CONTRACT SEQ-200490

4. Do not have products delivered to site until required storage facilities have been provided.
5. Do not have products delivered to site until the manufacturer's recommended storage instructions have been submitted and approved.
6. Have products delivered to site in manufacturer's original, unopened, labeled containers. Keep Engineer informed of delivery of all equipment to be incorporated in the work.
7. Partial deliveries of component parts of equipment shall be clearly marked to identify the equipment, to permit easy accumulation of parts and to facilitate assembly.
8. Immediately upon delivery, inspect shipments to assure:
 - a. Product complies with requirements of Contract Documents and approved submittals.
 - b. Quantities are correct.
 - c. Containers and packages are intact, labels are legible.
 - d. Products are properly protected and undamaged.

C. Product Handling

1. The Contractor shall provide equipment and personnel necessary to handle products by methods to prevent soiling or damage to products or packaging.
2. Provide additional protection during handling as necessary to prevent scraping, marring or otherwise damaging products or surrounding surfaces.
3. Handle products by methods to prevent bending or overstressing.
4. Lift heavy components only at designated lifting points.
5. Materials and equipment shall at all times be handled in a safe manner and as recommended by manufacturer or supplier so that no damage will occur to them. Do not drop, roll or skid products

DIVISION VII - DETAILED SPECIFICATIONS –
CONTRACT SEQ-200490

off delivery vehicles. Hand carry or use suitable materials handling equipment.

D. Removing and Hauling Equipment and Materials

1. The Contractor shall inspect all items including all boxes, crates and packages containing equipment and materials for damage that may have occurred during shipment prior to its removal from the truck or other conveyance. Any damage shall be reported immediately to the Engineer.
2. The Contractor shall then carefully remove the equipment and materials from the truck or trucks on which it is shipped. The equipment and materials shall then be transported to the place of installation at the job site. The Contractor shall be liable for loss or damage to the equipment and materials that may occur while being unloaded, transported, stored or installed.
3. All equipment that arrives at the job site during normal working hours shall be unloaded as soon as practicable.

7.12 PROTECTION OF MATERIALS AND EQUIPMENT AT THE SITE

The Contractor shall make every effort to minimize extended storage periods of materials and equipment at the Site by judiciously scheduling deliveries to coincide with construction needs.

Storage of any mechanical or electrical equipment out of doors at any time is absolutely prohibited regardless of the protection furnished. Storage of mechanical and electrical equipment within structures at the Site will not be permitted unless the structures are enclosed.

All mechanical equipment shall be coated, wrapped and otherwise protected from snow, rain, drippings of any sort, dust, mud, condensed water vapor, etc. during shipment, storage, and installation and until placed in service.

Should storage of mechanical equipment become necessary before it can be stored at the Site, the Contractor shall provide storage in a weatherproof warehouse.

Materials may be stored out of doors if supported above ground surface on wood runners and protected with approved, effective and durable covers.

DIVISION VII - DETAILED SPECIFICATIONS –
CONTRACT SEQ-200490

All storage and protection of materials and equipment at the Site shall be subjected to the approval of the Engineer.

All costs for equipment protection including warehousing or other work to meet the scheduled completion date shall be deemed to be included under the Contract and no additional payment will be made.

7.13

FINAL CLEANING

A.

Final Cleaning Under This Contract

1. At the completion of the work, the Contractor for this Contract shall remove all rubbish from and about the site of the work, and all temporary structures, construction signs, tools, scaffolding, materials, supplies and equipment which he or any of his subcontractors may have used in the performance of the work. The Contractor shall broom clean paved surfaces and rake clean other surfaces of grounds.
2. The Contractor shall thoroughly clean all materials, equipment and structures installed under this Contract; all marred surfaces shall be touched up to match adjacent surfaces.
3. The Contractor shall clean all landscaped areas of all debris and any objectionable material, as determined by the Engineer, and shall remove all such debris off-site.
4. The Contractor shall remove all temporary erosion control measures and replace with final features as shown on the plans and other Contract Documents contained herein, as directed by the Engineer.

B.

Cleaning Materials and MethodsThe Contractor shall:

1. Use only cleaning materials recommended by manufacturer of surface to be cleaned.
2. Use each type of cleaning material on only those surfaces recommended by the cleaning material manufacturer.
3. Use only materials which will not create hazards to health or property.

DIVISION VII - DETAILED SPECIFICATIONS –
CONTRACT SEQ-200490

4. The Contractor shall only use cleaning methods approved by the Engineer.

C. Payment for Final Cleaning

No separate payment will be made for the aforementioned work, the cost thereof shall be included in the price bid for other items of this Contract.

7.14 OSHA REQUIREMENTS

The Contractor shall comply with all applicable OSHA rules and regulations regarding hazardous materials. The Contractor's specific attention is called to OSHA Regulation 29 CFR, Part 1920.120.

7.15 NO SEPARATE PAYMENT

No separate payment shall be made for the work specified in the Specific Provisions. All costs shall be included in the various Contract items unless otherwise specified.

7.16 BID BREAKDOWN

The Contractor shall submit a breakdown of the bid prices of this Contract within 15 days after the commencement date specified in the Notice to Proceed. The bid breakdown shall be by reference to every detailed specification section listed for the Contract Item, including physical quantities, material costs, unit costs, and installation costs, where applicable. In addition, separate amounts for the following shall be included in the bid breakdown:

Bond, Insurance and Mobilization
Final Working Drawings, Record Drawings

7.17 DETAILED WORK DESCRIPTION

Storm Sewer Outfall and Splash Pad

This shall entail the construction of a new stormwater outfall with a splash pad at the end of 162nd Avenue, west of 95th Street in Queens, New York. The new outfall and splash pad would improve water quality, provide flow velocity attenuation and erosion control prior to the release of stormwater to Shellbank Basin.

DIVISION VII - DETAILED SPECIFICATIONS –
CONTRACT SEQ-200490

Specification Section

Specific Provisions

7.09 Licensed Surveyor

Structures and Misc. Equipment

7.101 Work Included
7.102 Dewatering
7.107-B Rip Rap Stone/Angular Natural Field Stone
7.109-B Separation Geotextile Fabric

Earthwork and Grading

7.300 Work Included
7.307-A Grading
7.308 Fill On-Site

Landscaping and Restoration

7.400 Work Included
7.401 Landscaping for Terrestrial Zone and Wetland Zone
7.404-A Restoration Specialist (Construction Monitor)
7.404-B Erosion and Sediment Control Licensed/Certified
Professional
7.411 Watering and Weeding During the Guarantee Period
7.418 Clean Sand For Restored Area

Erosion and Sedimentation Control Measures

7.500 Soil Erosion and Sedimentation Control Measures
7.501 Maintenance of Erosion Control Measures
7.504-A Silt Fence
7.509-A Stabilized Construction Entrance
7.510 Portable Sediment Tanks
7.516 Turbidity Curtain

* * * * *

DIVISION VII - DETAILED SPECIFICATIONS –
CONTRACT SEQ-200490

STRUCTURES AND EQUIPMENT

7.101 WORK INCLUDED

Under structures and equipment work, Contractor shall furnish all labor, materials and equipment and shall do all work as specified herein and as shown on the Contract Drawings, including all incidental and appurtenant work required for a complete job.

The work shall include items of work specified under the following sections:

<u>Section No.</u>	<u>Title</u>
7.102	Dewatering
7.107-B	Rip Rap Stone/Angular Natural Field Stone
7.109-B	Separation Geotextile Fabric

* * * * *

DIVISION VII - DETAILED SPECIFICATIONS -
CONTRACT SEQ-200490

7.102 DEWATERINGA. Description of Work

The Contractor shall furnish, install, operate and maintain dewatering equipment as required, for construction work as specified herein. The dewatering equipment shall include, but not be limited to, the following equipment items:

1. Pumps
2. Piping
3. Accessories
4. Wells.

B. General Requirements

1. General Specifications - Work performed under this Section shall be in conformance with the Standard Sewer and Water Main Specifications.
2. Examination of the Sites - The Contractor shall take all steps that he considers necessary to familiarize himself with the surface and subsurface conditions at the site, and shall obtain the data that is required to analyze the water and soil conditions at the site.
3. Shop Drawings - The Contractor shall submit to the Engineer for approval shop drawings and any other material required to substantiate conformance with the requirements set forth in the specifications. Shop drawings shall include a detailed plan of operations.

C. Dewatering

1. General Information - The Contractor shall perform dewatering activities to insure that all construction is performed under dry conditions. If a well point system is proposed, the Contractor shall utilize a licensed well driller. The Contractor shall always drill down to sand or gravel layer when available and when it is below the lowest excavated invert.

DIVISION VII - DETAILED SPECIFICATIONS –
CONTRACT SEQ-200490

The Contractor shall operate the dewatering pumps continuously, a day before and during construction until all associated work within the influence zone of the well point have been completed.

2. Care and Disposal of Water - Care of water shall be in accordance with Section 15 - 15.25 of the Environmental Conservation Law.

Water from open cut and/or sheeted excavations, manholes, structures, trenches, or from whatever source, shall be disposed of strictly in accordance with methods approved by the Engineer.

The Contractor shall submit proposed dewatering methods to the New York State Department of Environmental Conservation for the required permits. If a well point dewatering system is proposed, the Contractor shall utilize a licensed well driller. Contractor shall contact NYSDEC a minimum of two (2) weeks in advance of dewatering system startup.

When required by the Engineer, such water shall be passed through a settling basin and tank of acceptable size and shape and equipped with an overflow. Each settling basin shall be cleaned as required and as ordered by the Engineer.

Sufficient water to flush all sewers and drains shall be provided by the Contractor when necessary. If any sewer, drain, catch basin, inlet or gutter, that receives dirty water attributable to the Site, should become filled or partially filled with sediment or debris, the Contractor shall promptly and satisfactorily remove such deposits.

D. Design Criteria

1. Provide dewatering system which will effectively reduce hydrostatic pressure and lower groundwater levels below excavation levels as necessary for safe and proper prosecution of the work and which will result in obtaining stable, substantially dry subgrade for prosecution of subsequent operations.
2. Design dewatering methods so that the effluent discharge from the sediment control measures (sump pit, sediment tank) does not impact surface water using the following protocol which was developed to monitor dewatering effluent discharge:
 - a. Monitoring of Dewatering Operations

DIVISION VII - DETAILED SPECIFICATIONS –
CONTRACT SEQ-200490

Prior to the start of dewatering operations, a visual inspection of the installation of the sediment control measure(s) such as a dewatering sump pit and/or a portable sediment tank shall be made by the Engineer. Upon commencement of dewatering effluent discharge from the sediment control measures, at least three turbidity measurements of the effluent shall be conducted over a 15 minute-period using the following methodology. If the arithmetic mean of these three turbidity measurements is greater than the ambient turbidity level, all dewatering operations shall be discontinued until the Engineer is consulted regarding additional control measures.

b. Determination of Ambient Turbidity

Ambient turbidity levels of surface waters shall be determined using a Hanna Instruments HI 93703 Portable Microprocessor Turbidity Meter available from Hanna Instruments, Inc., Woonsocket, RI or Orbeco Hellige Portable Turbidity or LaMotte Portable Turbidimeter or equivalent approved by the Engineer. Ambient turbidity measurements shall be collected under dry weather conditions. Dry weather conditions are defined as no precipitation in the preceding 48 hours. A minimum of three turbidity measurements shall be collected using as follows:

- Water samples shall be collected a minimum of 20 feet upstream of the work area prior to commencement of any construction activity.
- Water samples shall be collected without disturbing stream bank or stream bed sediments.
- The turbidity measurements shall be conducted according to the instructions provided in the unit's Operational Guide which are summarized below.
- After the meter has been turned on, fill a clean cuvet up to one quarter inch from its rim with thoroughly agitated sample.
- Allow sufficient time for bubbles to escape before securing the cap.

DIVISION VII - DETAILED SPECIFICATIONS –
CONTRACT SEQ-200490

- Wipe the outside of the cuvet thoroughly with a lint-free tissue.
- Place the cuvet into the cell of the meter.
- Press the Read key and the LCD will display a blinking "SIP" (Sampling in Process). The turbidity value will appear after approximately 25 second.

The arithmetic means of the three dry weather upstream turbidity measurements shall be the ambient turbidity level. Turbidity shall be measured in Nephelometric Turbidity Units (NTUs).

E. Submittals

Submit the following for approval:

1. Working Drawings
 - a. Type of dewatering system proposed, showing arrangement, location and depths of proposed system, complete description of equipment and materials to be used, procedure to be followed, standby equipment, standby power supply and proposed location(s) of points of discharge of water.
 - b. Obtain approval from the Engineer and appropriate regulatory agencies prior to installation of system.

F. Job Conditions

1. Subsurface Conditions
 - a. Subsurface investigations and groundwater level determinations shall be conducted by the Contractor prior to implementation as specified herein.
2. Responsibilities
 - a. Select and install dewatering system to accomplish groundwater control as specified.

DIVISION VII - DETAILED SPECIFICATIONS –
CONTRACT SEQ-200490

- b. Monitor quality of discharge from dewatering system to determine if soil particles are being removed by system.
- c. Measure to ascertain if movement is caused in adjacent areas by dewatering operations; take approved measures to minimize such movement.
- d. Take measures to prevent damage to property.
- e. Repair as approved damage, disruption or interference resulting directly or indirectly from dewatering operations.
- f. Remove sediments from all intercepted groundwater or surface water as specified herein and approved by the Engineer and the jurisdictional agency concerned. Under no circumstances shall the Contractor directly discharge, without treatment, into the drainage channel or creek.

G. Sump Pit

The Contractor, at the direction of the Engineer shall provide a stone filled pit with perforated standpipe/nozzle wrapped with filter fabric in which intercepted groundwater is pumped to an approved location.

The size and shape of the sump pit will vary due to site conditions. The size of pump should be determined from manufacturer's specifications.

1. The standpipe shall be a perforated 12"-24" diameter corrugated metal or PVC pipe.
2. A base of 2" aggregate shall be placed in the pit to a depth of 12". After installing the standpipe, the pit surrounding the standpipe shall then be backfilled with 2" clean aggregate.
3. The standpipe shall extend 12"-18" above the lip of the pit.
4. The standpipe shall be wrapped with filter fabric before installation. If desired, 1/2" x 1/2" hardware cloth may be placed around the standpipe, prior to attaching the filter fabric. This will increase the rate of water seepage into the pipe.

H. Surface Drainage

DIVISION VII - DETAILED SPECIFICATIONS –
CONTRACT SEQ-200490

1. Intercept and divert surface drainage away from the splash pad or other excavations, wells by use of dikes, ditches, swales, open stone lined channel, temporary diversion pipes which could be either on the surface or buried, sumps or other means. To properly install buried diversion pipe the contractor may be required to excavate.
2. Design surface drainage systems to prevent erosion on or off the site or unwanted water flow.
3. Remove surface drainage system when no longer required.
4. Remove debris and restore site(s) to original conditions.

I. Drainage Of Excavated Areas

1. Provide and maintain ditches of adequate size to collect surface and subsurface water and seepage which may enter excavations and divert water into sump so that it can be drained or pumped into drainage channels as approved by the Engineer and the jurisdictional agency concerned.
2. Install settling basins or other approved apparatus as necessary to reduce amount of fine particles carried by water diverted away from excavation.
3. When no longer necessary, backfill and seal drainage ditches, sumps and settling basins with approved material.

J. Execution

1. Install dewatering system as specified and with the approval of the Engineer.
2. Demonstrate by approved methods that no soil particles are present in water after 12 hours of initial pumping or draining and additionally as directed.
3. Dispose of precipitation and subsurface water away and clear of the work area. Keep excavation dry.
4. Maintain continuous and complete effectiveness of the installation.

DIVISION VII - DETAILED SPECIFICATIONS –
CONTRACT SEQ-200490

5. Maintain water level at such elevation that no damage to structure or plant material can occur because of excessive hydrostatic pressure. In any event, maintain water level two feet minimum below bottom of subgrade until sufficient concentrate work or backfilling or both has been completed to adequately offset uplift pressures.

K. Dewatering System Removal

1. Remove and dispose of all stone, filter fabric and piping that comprise curtain drains and/or sump pits used in dewatering in accordance with Federal, State and local regulations at a permitted site.
2. Backfill remaining space as necessary to restore surface and subsurface to its original or proposed condition in accordance with the Engineer's approval.

L. No Separate Payment

Dewatering work shall be performed by the Contractor only as directed by the Engineer. The cost for all labor, materials and equipment required for the Dewatering shall be deemed included in the bid price for other Contract Items. No separate payment shall be made for Dewatering.

* * * * *

DIVISION VII - DETAILED SPECIFICATIONS –
CONTRACT SEQ-200490

7.107-B RIP-RAP STONE /ANGULAR NATURAL FIELD STONE

A. Description of Work

Under this item, the Contractor shall perform all work necessary to install rip-rap stone where directed by the Engineer, to install splash pad, and to protect the soil surface from erosive forces and/or improve the stability of soil slopes as well as water feature bottoms that are subject to seepage or have poor soil structure.

In general, rip-rap stone shall be utilized for both temporary and permanent constructed features such as erosion control features, channel side slopes and bottoms, grade sills, slope drains, grade stabilization structures, storm drains, and cut and fill slopes subject to seepage, erosion or weathering, particularly where conditions prohibit the establishment of vegetation.

Angular natural field stone shall be utilized to stabilize, reinforce or restore naturally occurring features as well as features that are intended to appear natural, such as stream side slopes, banks and bottoms, wetlands, shorelines subject to erosion, culvert inlets and outlets, outlet stilling basins and natural upland side slopes.

Rip-rap stone may be substituted with angular natural field stone as directed by the Engineer. The Contractor may use field stones excavated in the project site, contingent upon the approval of the Engineer.

B. Materials Used

Rip-Rap Stones/Angular Natural Field Stones

Stones shall be a well-graded mixture with 50% by weight larger than the specified design size. The diameter of the largest stone size in such a mixture shall be 1.5 times the d50 size with smaller sizes grading down to 1 inch. The stone size installed shall be as directed by the Engineer and as shown on the Contract Drawings.

The minimum layer thickness shall be 1.5 times the maximum stone diameter, but in no case less than 6 inches or as specified on the Contract Drawings.

Stones for rip-rap shall be hard, durable quarry materials. Stones used for natural field stones shall be hard, durable field materials and shall be dark in coloration. They shall be angular and not subject to breaking down

DIVISION VII - DETAILED SPECIFICATIONS –
CONTRACT SEQ-200490

when exposed to water or weathering. The specific gravity shall be at least 2.5.

Stones shall be free of decomposed stone, clay rock dust and other objectionable material. Existing stone walls and broken concrete or recycled stone shall not be used as stones. Broken concrete is not acceptable.

C. Construction Methods

Subgrade Preparation

Prepare the subgrade for stones to the required lines and grades shown on the plans. Compact any fill required in the subgrade to a density approximating that of the undisturbed material or overfill depressions with stones. Remove brush, trees, stumps and other objectionable material. Cut the subgrade sufficiently deep so that the finished grade of the stones will be at the elevation of the surrounding area. Channels shall be excavated sufficiently to allow placement of the stones in a manner such that the finished inside dimensions and grade of the stones meet design specifications.

Rip-Rap/Angular Natural Field Stone Placement

Placement of the stones shall follow immediately after placement of the filter. Place stones so that it forms a dense, well-graded mass of stone with a minimum of voids. The desired distribution of stones throughout the mass shall be obtained by selective loading at the quarry and controlled dumping during final placement. Place stones to its full thickness in one operation. Do not place stones by dumping through chutes or other methods that cause segregation of stone sizes. Be careful not to dislodge the underlying base or filter when placing the stones.

The toe of the stones shall be keyed into a stable foundation at its base as shown on the Contract Drawings. The toe shall be excavated to a depth of 2.0 feet. The design thickness of the stones shall extend a minimum of 3 feet horizontally from the slope. The finished slope shall be free of pockets of some stone or clusters of large stones. Hand placing will be required to achieve proper distribution of stone sizes to produce a relatively smooth, uniform surface. The finished grade of the stones shall blend with the surrounding area.

D. Measurement and Payment

DIVISION VII - DETAILED SPECIFICATIONS –
CONTRACT SEQ-200490

The quantity to be measured for payment under this Section shall be the total number of cubic yards of approved stones, measured in stockpiles, containers and/or vehicles and placed as directed by the Engineer.

The contract price per cubic yard of approved stone material placed shall be as indicated on the BID SCHEDULE OF PRICES Item No. BMP-7.107-B. The bid price shall constitute full compensation for all labor, materials, equipment and work incidental thereto, necessary to furnish, place and incorporate and all other work incidental thereto, in accordance with the plans and specifications to the satisfaction of the Engineer.

* * * * *

DIVISION VII - DETAILED SPECIFICATIONS –
CONTRACT SEQ-200490

7.108-A ALUMINUM GRATING

NO TEXT ON THIS PAGE

DIVISION VII - DETAILED SPECIFICATIONS –
CONTRACT SEQ-200490

7.109 GEOTEXTILE FABRIC

NO TEXT ON THIS PAGE

DIVISION VII - DETAILED SPECIFICATIONS –
CONTRACT SEQ-200490

7.109-B SEPARATION GEOTEXTILE FABRIC

A. Description of Work

Under this item, the Contractor shall furnish all equipment and perform all work necessary to place separation geotextile fabric as indicated in the Contract Drawings and specifications and as directed by the Engineer.

Separation geotextile shall be utilized for prevention of subgrade soil movement into the rip-rap stone layer.

B. Construction Methods

The separation geotextile fabric shall conform to NYSDOT Standard Specifications, Subsection 737-01, Table 737-01B Separation Geotextile Requirements.

Separation geotextile fabric shall be placed between the rip-rap stone layer and the subgrade. Placement of the fabric shall follow immediately after the subgrade has been cut to a sufficient depth for the rip-rap stone layer to meet dimensions and grading specified in the Contract Drawings. Rip-rap stone placement shall follow after the separation geotextile fabric has been placed.

C. Measurement and Payment

The quantity to be measured for payment under this Section shall be the number of square feet of surface area on which separation geotextile fabric has been installed in accordance with the plans and specifications and directions of the Engineer.

The contract price per square feet of separation geotextile fabric shall be as indicated on the BID SCHEDULE OF PRICES Item No. BMP-7.109 Geotextile Fabric. The bid price shall include the costs for all labor, material, equipment and incidental work in accordance with the plans and specifications to the satisfaction of the Engineer.

* * * * *

DIVISION VII - DETAILED SPECIFICATIONS –
CONTRACT SEQ-200490

EARTHWORK AND GRADING

7.300

Work Included

Under earthwork and grading, the Contractor shall provide all labor, material, tools and equipment necessary to complete the execution of the work in complete accordance with the Specifications and all Contract Drawings. The work shall include items of work specified under the following sections.

<u>Section Number</u>	<u>Title</u>
7.307-A	Grading
7.308	Fill On-Site

* * * * *

DIVISION VII - DETAILED SPECIFICATIONS –
CONTRACT SEQ-200490

7.301 DEBRIS REMOVAL AND DISPOSAL

NO TEXT ON THIS PAGE

DIVISION VII - DETAILED SPECIFICATIONS –
CONTRACT SEQ-200490

7.302

CLEARING, GRUBBING AND REMOVALS

NO TEXT ON THIS PAGE

DIVISION VII - DETAILED SPECIFICATIONS --
CONTRACT SEQ-200490

7.303 TEMPORARY WOODEN TREE GUARDS

NO TEXT ON THIS PAGE

DIVISION VII - DETAILED SPECIFICATIONS –
CONTRACT SEQ-200490

7.304

EXCAVATION

NO TEXT ON THIS PAGE

DIVISION VII - DETAILED SPECIFICATIONS –
CONTRACT SEQ-200490

7.305 CRUSHED STONE

NO TEXT ON THIS PAGE

DIVISION VII - DETAILED SPECIFICATIONS –
CONTRACT SEQ-200490

7.306

TREE REMOVAL AND DISPOSAL

NO TEXT ON THIS PAGE

DIVISION VII - DETAILED SPECIFICATIONS –
CONTRACT SEQ-200490

7.307-A GRADINGA. Description of Work

The Contractor shall furnish all labor, materials, equipment and services necessary to perform all grading as indicated on the Contract Drawings and as specified herein.

B. General Requirements

1. General Specifications - Except as modified and supplemented hereinafter in the Detailed Specifications, work performed under this Section shall conform to the NYCDEP Standard Sewer and Water Main Specification.
2. Shop Drawings - The Contractor shall submit to the Engineer for approval shop drawings and other documentation required to show conformance with the requirements set forth on the Contract Drawings and these Specifications. Shop drawings shall include, but not be limited to, the requirements for shop drawings as specified in the General Specifications.

C. Grading – The Contractor shall perform filling, compacting, and grading of the indicated areas of site, including minor cutting and filling high and low areas, and leveling such areas to elevations and within limits shown on the Contract Drawings. All work shall be performed in accordance with the applicable requirements of the NYCDEP Standard Sewer and Water Main Specification.

Any grading below the mean higher high water (MHHW) line should be done in the dry during periods of low tide.

D. Compaction

1. Wetland Areas – Compaction shall not be done in wetland and landscaped areas.
2. Other Areas – Each layer of fill or backfill shall be compacted by a minimum of four complete passes with an approved tamping roller, pneumatic-tired roller, three-wheel power roller, or other approved compaction requirement. Compaction shall not be less than 95 percent of the maximum density modified proctor as determined by ASTM D1557, Method D.

DIVISION VII - DETAILED SPECIFICATIONS –
CONTRACT SEQ-200490

3. Field Control – Sufficient in place density tests shall be performed by the Contractor in order to satisfy the Engineer that the specified density is being obtained. These tests shall be made at no cost to the City and shall be made using the calibrated sand cone method (ASTM D1556) or other method as determined by the Engineer.

E. Finished Excavation, Fills, and Embankments – All areas covered by the project, including excavated and filled sections and adjacent transition areas, shall be uniformly graded. The finished surface shall be reasonably smooth, compacted, and free from irregular surface changes. The degree of finish shall be that ordinarily obtainable from blade-grader operations. Surfaces shall be finished not more than 0.10 foot above or below the established grade or approved cross section.

F. Protection – Newly graded areas shall be protected from traffic and erosion, and any settlement or washing away that may occur from any cause, prior to acceptance, shall be repaired and grades re-established to the required elevations and slopes, at no additional expense to the City.

The Contractor shall provide temporary ground cover sufficient to restrain erosion on all disturbed areas upon which further active construction is not taking place.

G. Measurement and Payment

The quantity to be measured for payment under the pay item Grading shall be the total number of square feet of work area graded. The contract price per square foot for grading shall be as indicated on the BID SCHEDULE OF PRICES Item No. BMP-7.307-A. The bid price shall constitute full compensation for labor, materials, equipment and work incidental thereto, necessary to complete the work in accordance with the plans and specifications to the satisfaction of the Engineer.

* * * * *

DIVISION VII - DETAILED SPECIFICATIONS –
CONTRACT SEQ-200490

7.308 FILL ON-SITEA. Description of Work

This work shall consist of providing and placing approved fill material where required throughout the project area only. The Contractor may use approved fill material excavated from sewer and foundation trenches and stockpiled excavated soils within project limits as long as it meets the approved definition. Reuse of onsite excavated material requires that the material be screened prior to placement as fill. The approved fill material shall be provided, placed, spread, compacted and fine graded to the elevations, lines, grades and cross-sections indicated on the drawings as directed by the Engineer.

B. Definition

Approved fill is hereby defined as clean earth, consisting of a mixture of silt and clay. Fill material shall have a liquid limit less than or equal to 40 and a plasticity index less than or equal to 20, as determined by ASTM D4318. This mixture must be free of any roots, trees, tree stumps, leaves or other organic matter. Furthermore, this material must also be free of any metal, brick, debris, masonry (i.e. construction debris), stones over one and one-half (1-1/2) inches in diameter and deleterious material. In addition, the fill shall have a gradation such that 100% (by weight) passes a 3" sieve, 50-100% passes a #10 sieve, 20-90% passes a #60 sieve, and 0-20% passes a #200 sieve.

Fill used in planted areas shall be clean earth, consisting of a mixture of silt, clay, and sand. No custom ("select fill") fill shall be used in area which are to be planted.

C. Measurement and Payment

There will be no separate or additional payment made for the aforementioned work. The cost for this work shall be deemed included in the price bid for all items of work.

* * * * *

DIVISION VII - DETAILED SPECIFICATIONS --
CONTRACT SEQ-200490

LANDSCAPING AND RESTORATION WORK

7.400 Work Included

Under landscaping and restoration work, the Contractor shall provide labor, materials, tools and equipment necessary to complete the execution of the work in complete accordance with the Specifications and all Contract Drawings. The work shall include items of work specified under the following sections.

<u>Section Number</u>	<u>Title</u>
7.401	Landscaping for Terrestrial Zone and Wetland Zone
7.404-A	Restoration Specialist (Construction Monitor)
7.404-B	Erosion and Sediment Control Licensed/Certified Professional
7.411	Watering and Weeding During the Guarantee Period
7.418	Clean Sand For Restored Area

* * * * *

DIVISION VII - DETAILED SPECIFICATIONS –
CONTRACT SEQ-200490

7.401 LANDSCAPING FOR TERRESTRIAL ZONE AND WETLAND ZONEA. Work Included

Under these items, the Contractor shall furnish all labor, materials, equipment and services necessary for the proper execution of all landscaping work, as specified herein and as shown on the Contract Drawings, including all incidental and appurtenant work required for a complete job. In addition, the contractor will also furnish and deliver Permanent Seed Mix as directed by the Engineer.

B. General Requirements1. Reference Standards

- a. American Association of Nurserymen, Inc., (American National Standards Institute) Nursery Stock (Z60.1)
- b. American Joint Committee on Horticultural Nomenclature Standardized Plant Names.
- c. A Checklist of New York State Plants, Contributions to a Flora of New York State, Checklist III, Bulletin #458, Richard S. Mitchell, State Botanist, New York State Museum, 1986.
- d. Gleason, The Late Henry A. and Arthur Cronquist. 1991. Manual of the Vascular Plants of Northeastern United States and Adjacent Canada, 2nd ed, New York Botanical Garden.
- e. Mitchell, Richard S. and Gordon C. Tucker. 1997. A Revised Checklist of New York State Plants, Bull. #490, New York State Museum.

C. Quality Assurance

1. Source Quality Control

- a. If private nursery sources are used, they must be within a 250-mile radius of the planting site. All specified plants shall have also been grown in the same USDA climatic zone as that of the planting site.

DIVISION VII - DETAILED SPECIFICATIONS -
CONTRACT SEQ-200490

All seed and original stock material for herbaceous plants shall have been collected from locally adapted ecotypes within a one-hundred mile radius of the project site. Plant material may have to be contract grown in order to meet this requirement.

No substitutions of specified plants will be accepted without prior approval of the Engineer or his/her duly authorized representative.

- b. General. Ship landscape material with certificates of inspection when required by governmental authorities. Comply with governing regulations applicable to landscape material.
 - c. Packaged Material. Package standard products with manufacturer's certified analysis. For other material, such as topsoil, provide analysis by recognized laboratory made in accordance with methods established by the Association of Official Agricultural Chemists, wherever applicable, or as further specified.
 - d. All seed shall be interagency certified under the auspices of a State Seed Improvement Cooperative and must bear their seals of certification on bag. Permanent seed shall be 75% Pure Live Seed minimum. Weed content of seed lots shall not exceed 0.25 percent. All seed shall be free of noxious weeds. Provide fresh, clean, new-crop seed complying with the tolerance for purity and germination established by the Official Seed Analysts of North America. Provide seed of the species, proportions and minimum percentages of purity, germination, and maximum percentage of weed seed.
 - e. Comply with governing regulations applicable to wetland and landscape materials including certification that tidal wetland plants have been acclimated to 15 to 25 parts per thousand salinity for a period of not less than two (2) weeks prior to installation.
2. Trees and plants shall be specified as in the Contract Documents. Nurseries which collect plants from the wild shall be rejected. No substitutions shall be permitted, except as authorized in writing by Engineer. If specified landscape material is not obtainable, submit proof of non-availability to Engineer, together with proposal for

DIVISION VII - DETAILED SPECIFICATIONS –
CONTRACT SEQ-200490

use of equivalent material. All plants specified within this Contract are native to the State of New York. Species native to this region, but not listed as native within *A Checklist of New York State Plants*, may be accepted on a case-by-case basis.

3. The Contractor shall provide trees and plants of quantity, size, genus, species and variety shown and scheduled in the Contract Documents for landscape work and complying with recommendations and requirements of ANSI Z60.1 "American Standard for Nursery Stock" and the Manual of Vascular Plants of the Northeastern United States and Adjacent Canada. The Contractor shall provide healthy, vigorous stock, grown in a recognized nursery in accordance with good horticultural practice and free of disease, insects, eggs, larvae and defects such as knots, sun-scald, injuries abrasions, or disfigurement. Contractor shall submit certification that wetland plants are procured at least six months prior to scheduled planting.
4. All plants furnished under this Item shall be true to name. Plant names shall agree with the nomenclature of Standardized Plant Names as adopted by the American Joint Committee on Horticultural Nomenclature, 1942 Edition. Size and grading shall conform to those of the American Association of Nurserymen. All wetland plants shall come from Queens stock or within 250-mile radius of Queens.
5. Certified analyses by a recognized laboratory shall be submitted by the Contractor for approval by the Engineer for topsoil before delivery to the site. Analyses must include mechanical analysis, magnesium, nitrogen, potassium, and phosphorus levels, soluble salts, pH and organic matter. Standards and formatting for topsoil analyses shall conform to those of Cornell Cooperative Extension of Nassau County. Associated costs and additional guidelines for topsoil analyses shall be as specified under NYCDOT Specifications.
6. Inspection:
 - a. The Engineer shall inspect trees and shrubs at place of growth before planting, for compliance with requirements for genus, species, variety, size and quality. Contractor shall be responsible for all inspection costs beyond a 50-mile radius from New York City.

DIVISION VII - DETAILED SPECIFICATIONS –
CONTRACT SEQ-200490

- b. Plant materials shall be inspected by the Engineer upon arrival at the job site and prior to planting. Any materials not in compliance with specifications shall not be accepted and shall be removed from the job site immediately.
- c. The Engineer retains the right to further inspect trees for size and condition of balls and root systems, insects, injuries and latent defects, and to reject unsatisfactory or defective material at any time during progress of work. The Contractor shall remove rejected trees immediately from project site.
- d. Tagged samples of plant materials shall be delivered to the site and planted in locations approved by the Engineer. These tagged samples shall be maintained, protected and used as standards for comparison with the plants furnished for the work.
- e. The Contractor shall be responsible for all certificates of inspection of plant material that may be required by Federal, State or other authorities to accompany each shipment of plants. On arrival, the certificates shall be filed with the Engineer. The Engineer shall receive a copy of each shipping invoice immediately after the delivery has arrived at the job site.

D. Submittals

The General Contractor shall submit the following information (as listed in 1. through 4.) for approval within ten working days following the date in the Notice to Commence Work:

- 1. Subcontractors. Subcontractors proposed for landscaping and associated restoration and site work must be approved by the Engineer prior to start of work. The Contractor shall submit at least three (3) alternative Subcontractors to the Engineer for review and approval. The Subcontractors proposed shall be evaluated on the following criteria, prioritized in descending order:
 - a. The Contractor shall submit a minimum of three (3) projects similar in scope and type (i.e., location, size, cost, client, plant species, time of planting, etc.) within the last five years whereby the Contractor was directly responsible for the installation, restoration and maintenance of native habitats and wetlands. References and xerographic

DIVISION VII - DETAILED SPECIFICATIONS –
CONTRACT SEQ-200490

reproductions of photographs of the projects shall be submitted. Projects shall not be more than five years old. Provide client contact person's name and telephone number. Describe any problems encountered during construction and corrective action taken to remedy the problem. Describe any violations issued by NYSDEC or any other regulatory agency. How were the violations resolved. Enclose copies of applicable wetland permits. Provide chronological photos recording the progress of the restoration and/or creation efforts, including preconstruction through completion. Include any required sign-offs from client and provide a list of all plants replaced on site.

- b. Demonstrated capacity to accomplish the work in the required time including qualification of experienced foreman and key personnel.
 - c. Experience in digging and transplanting field stock.
 - d. Experience with agencies, such as the Department of Parks and Recreation, Central Park Conservancy, the Botanic Gardens, HPD and/or the Port Authority.
 - e. Experience with State or Federal Agencies, particularly with experience in conducting mitigation pursuant to USACE or NYSDEC requirements.
 - f. Wetland/landscape contractor shall have performed at least three (3) contracts that involved the installation and maintenance of soil erosion and sediment control devices during construction of the project. The projects shall be at least three (3) years old and successful.
 - g. Other references or experience deemed appropriate to obtaining approval.
2. List of growers/nurseries.
 3. Certified arborist or nurseryman, experienced in tree pruning and removal.
 4. List of all materials and certificates specified within this Item.

DIVISION VII - DETAILED SPECIFICATIONS –
CONTRACT SEQ-200490

The General Contractor shall submit the following information (as listed in 5 through 8) prior to construction:

5. Certificates:
 - a. All necessary State, Federal and other inspection certificates as may be required by law.
 - b. Two (2) copies to the Engineer of manufacturers' or vendors' certified analysis for soil treatments and fertilizer materials shall be submitted with samples.
 - c. Certification and guarantee that all plant material is true to name and in conformance with these specifications.
 - d. The invoice or a written statement showing the size and grade of materials received or shipped, together with the source and health of the plant material and verification that balled and burlapped plants were sprayed with an anti-desiccant within 48 hours prior to digging. No plants shall be accepted that have been collected from property other than that owned or leased by a nursery.
 - e. Certification that all herbaceous plant material was grown from seed or stock collected from locally adapted ecotypes within a one-hundred mile radius of the project site.
 - f. Certificates from seed vendors: certified statement for each seed mixture required, stating botanical and common name, percentage by weight and percentages of purity, germination, and weed seed for each species.
6. Planting Schedule. Submit proposed planting schedule within one month of official Notice to Commence Work, indicating dates for each type of landscape work during normal seasons and as specified in the Contract for such work in area of site. Included shall be a schedule of nursery visits for the Restoration Specialist to tag plant material. Correlate from date of substantial completion. Once accepted, revise dates only as approved in writing by the Engineer, after documentation of reasons for delays.
7. List of equipment, methods of operation, and maintenance plant, including methods for protection of existing vegetation.

DIVISION VII - DETAILED SPECIFICATIONS –
CONTRACT SEQ-200490

8. Manufacturer's Literature. Manufacturer's literature for all materials furnished shall be submitted with samples of same.
9. The Contractor is required to perform a separate germination test on the seed mixes to be used on this project prior to submitting the seed mix and supplier. The results of the germination test shall be included in with the information submitted to the Engineer for review and acceptance. The Contractor is advised that these tests can run two-months or more and should be prepared to have these tests completed in sufficient time for the next seeding season. Seed shall conform to all applicable state and federal regulations and to test provisions of the Association of Official Seed Analysts. There shall be no exceptions.
10. The Landscape Subcontractor shall submit a watering and weeding plan and maintenance schedule prior to the installation of plant material, to be approved by the Engineer with consultation from the Restoration Specialist. The plan shall include proposed methods of watering and weeding, including but not limited to tree gators (bags), sprinklers, drip hoses, irrigation, tanker vehicles and hand watering, etc., as well as manual weeding and weeding tools. No additional payment will be made for watering and weeding during installation and during the three year guarantee period.

The approved plan and schedule do not relieve the Contractor in any way from any aspect of the replacement of dead plant material. The Landscape Subcontractor may alter the maintenance schedule based on weather and field conditions.
11. The Contractor shall submit a sequence of construction for work to the Engineer for approval. The proposed sequence of work shall conform with any Special Conditions stated in any USACE Permit or NYSDEC Permit specific to this project.
12. Final planting plan, based on the post-excavation field topographic survey, including location of actual planting areas and densities for each ecological community, sediment control fence, and other required work.
13. Sediment control fence plan layout and details illustrating fence height, location of posts.
14. Submit a monitoring plan that meets the requirements of Section 7.404-A.G. The monitoring plan shall include hydrology, vegetation, and soils monitoring to document that the mitigation

DIVISION VII - DETAILED SPECIFICATIONS –
CONTRACT SEQ-200490

and restoration areas meet the criteria established in the USACE 1987 Wetland Delineation Manual. An action plan for addressing failures or deviation from goals shall also be included. The monitoring plan shall also satisfy the following specific requirements:

- a. The National Wetlands Mitigation Action Plan (December 2002).
- b. Compensatory Mitigation Guidelines and Mitigation Checklist for Review of Mitigation Plans, USACE, New York District, 2004, Section I Monitoring Plan and Report, and Section J Maintenance and Adaptive Management Plan.
- c. New York State Salt Marsh Restoration and Monitoring Guidelines. NYSDEC, December 2000, Section 7 Salt Marsh Restoration – Recommended Monitoring Plan.
- d. The monitoring plan shall conform with any Special Conditions stated in any USACE Permit or NYSDEC Permit specific to this project.

E. Product Delivery, Storage and Handling

1. Delivery of Materials:
 - a. Packaged Materials. Deliver packaged materials in unopened bags or containers, each bearing the name, warranty, and trademark of the producer and the composition, analysis and the weight of the material. Contractor shall notify the Engineer 48 hours in advance of delivery of all plant material.
 - b. Trees and Plants. The Contractor shall provide trees and plants of the stock type and quantities shown on the Contract Drawings. Do not prune prior to delivery unless otherwise approved by the Engineer. Do not bend or bind-tie trees or plants in such a manner as to damage bark, break branches or destroy natural shape. Provide protective covering during delivery, and insure that all balled and burlapped stock, container stock, tube stock, and/or bare root material is handled properly and is not dropped.

DIVISION VII - DETAILED SPECIFICATIONS –
CONTRACT SEQ-200490

- c. All plant materials shall be protected from drying out and from wind damage during delivery.
- d. The Contractor shall deliver trees and plants after preparations for planting have been completed and plant immediately. If planting is delayed more than 6 hours after delivery, set trees and plants in shade, protect from wind, weather and mechanical damage, and keep roots moist by covering with mulch, burlap or other acceptable means of retaining moisture. Water as necessary.
- e. The Contractor shall not remove container grown stock from container until planting time.
- f. Material should be planted in the ground immediately after delivery to site. Plants should be covered with damp-not wet-leaf compost while awaiting ground installation. Do not allow the plants to dry out or freeze.
- g. Fertilizer delivered to the job site shall be in original, unopened containers bearing the manufacturer's chemical analysis and essential information. Fertilizer containers shall be protected from exposure to precipitation and direct sunlight.
- h. All materials shall be stored in upland areas that are protected from weather.
- i. Seeding:
 - 1. Seed shall be clean and fresh and delivered to the site in the original, unopened bags showing the net weight, composition of mix, suppliers name and guarantee of analysis. Seed shall be delivered and stored in original unopened packages, kept dry, and not opened until needed for use. Damaged or faulty packages shall not be used and will be rejected. Seed shall have been harvested for planting in the current growing season, and shall have been packed within the last 9 months.
 - 2. All seed shall be interagency certified under the auspices of a State Seed Improvement Cooperative and shall bear their seals of certification on each 50 pound bag. Permanent seed shall be 75% pure live seed minimum.

DIVISION VII - DETAILED SPECIFICATIONS –
CONTRACT SEQ-200490

3. Seed materials will be inspected by the Engineer upon arrival at the job site and prior to planting. Any materials not in compliance with specifications will not be accepted and shall be removed from the job site immediately.
 4. All seed materials shall be protected from drying out and from wind damage during delivery.
 5. Furnish seed in sealed, standard containers with germination and purity percentages clearly labeled.
- j. Plant Material: Provide healthy, vigorous growing specimens exhibiting uniform growth and form characteristic of their species that satisfy the project specifications. Plants shall be free of chlorosis, yellowing, blemished or damaged parts.
 - k. Label all flats of plants and all separate plants with a securely attached waterproof tag, bearing legible designation of botanical and common name, written with waterproof ink.
2. Storage of Materials
 - a. Store and cover materials to prevent deterioration. Remove packaged materials which have become wet or show deterioration or water marks from the site and replace at no additional cost to the City.
 - b. Seed that is wet or moldy or that has been otherwise damaged in transit or storage shall be replaced at no additional cost to the City.

F. Job Conditions

Terrestrial and Wetland Buffer Zone Plantings: Unless otherwise directed by the Engineer, evergreen material shall be planted and transplanted from April 1st to May 15th and from September 1st to October 15th. Deciduous material shall be planted and transplanted from March 1st to May 30th and from October 15th to December 1st. Container-grown herbaceous material shall be planted and transplanted from March 1st to May 30th and from August 15th to September 15th (SEE PLANTING SCHEDULE). Perform actual planting when conditions are suitable. No plant material shall be planted when the ground is frozen or in excessively moist

DIVISION VII - DETAILED SPECIFICATIONS –
CONTRACT SEQ-200490

condition. All material labeled as fall planting hazard shall be installed during the spring only. Notify the Engineer before proceeding with any planting operations.

G. Guarantee

1. Landscape Guarantee and Replacements

- a. Guarantee. All landscaping work shall have a replacement guarantee for a period of three (3) years beginning at the date of acceptance of the Landscaping work or the date of substantial completion, whichever is later, and shall be considered as included under monies shown within the guarantee provisions of Schedule A.
- b. Operations. The Contractor shall, for a period of three (3) years, cultivate, weed, mulch, prune, and water all trees, shrubs, herbaceous plants, vines permanent seeded areas under this Contract, to the satisfaction of the Engineer. The Contractor shall replace, according to the original specifications, any plant material which is dead or in a dying condition at the request of the Engineer. The Engineer shall be the sole judge as to the condition of the plants. The guarantee and maintenance applies to all planted and grassed areas, meadows, paved and other landscaped areas.
- c. Replacement. Any plant material that is dead or not showing satisfactory growth, as determined by the Engineer, shall be promptly removed and replaced by the Contractor during normal planting season specified in Section 7.401.2E. Initial replacement of dead material and the repair of bare areas will take place one year following the acceptance of plant material. The replacement shall be of the same variety, size and character as specified for the original planting. Unless a written waiver of this clause is issued, under the terms of the guarantee, replacement plants shall be chosen only by the Engineer.

At the end of the guarantee period, and upon written request, an inspection will be made by the Engineer. If mortality exceeds ten percent or if bare areas occur, the Contractor shall replace plant material.

DIVISION VII - DETAILED SPECIFICATIONS –
CONTRACT SEQ-200490

H. Materials

1. Clean Sand

- a. Sand from site stripping shall be used if the material meets specifications listed in 7.418. A material test(s) shall be made at Contractor's expense to determine if the specifications for all the tests listed in (7.418) have been met. A material test shall be required and shall serve as a representative analysis for every 200 cubic yards of material utilized.
- b. Additional clean sand shall be furnished from sources off the Contract site. Material shall comply with the requirements of Specification section 7.418.

2. Fertilizer

Fertilizer shall be provided as indicated on the Contract Drawings: Osmocote, granular, slow-release in the specified time frame releases and analyses. Fertilizer shall be furnished in standard containers, with name, weight and guarantee analysis of contents clearly marked thereon. Appropriate containers to disperse specified amounts of fertilizer into planting holes shall be supplied and used by the Contractor.

3. Plant Material

- a. The Contractor shall furnish all plant material shown. Plant material must be true to name and size and conform with the following standards:
 - i. American Joint Committee on Horticultural Nomenclature, Standardized Plant Names (Published by Mount Pleasant Press J. Horace McFarland Company, Harrisburg, PA.).
 - ii. American Association of Nurseryman, "Horticultural Standards" (Published by American Association of Nurserymen, Inc., 635-636 Southern Building, Washington, D.C.).
- b. Nursery grown plants shall mean plants propagated by seed, division, tissue culture or cloned from existing stock at a nursery, which are healthy, vigorous plants, cultivated

DIVISION VII - DETAILED SPECIFICATIONS --
CONTRACT SEQ-200490

in accordance with sound horticultural practice. All plants shall be nursery grown unless collected from natural areas owned or leased for that purpose by the nursery. All plants shall have been grown under the same climatic conditions as those of the planting site. All herbaceous plants shall come from seeds or stock collected within a one-hundred mile radius of the project site. Only those nurseries within a 250-mile radius of the planting site will be accepted as plant sources. In some cases plant material may be obtained outside the 250-mile radius on a case-by-case basis.

- c. All plants and all balled and burlapped plants shall be freshly dug; neither heeled-in nor plants from cold storage will be accepted. All plants shall have been transplanted or root pruned at least once in the past three years.
- d. All plants shall conform to the measurements specified in the plant list on the Contract Drawings. All plants shall be typical of their species and shall have a normal, healthy habit of growth and be of first quality, sound, vigorous, well-branched and densely foliated. Plants that meet the requirements specified in the plant list, but that do not possess a normal balance between height and spread will not be accepted. No damaged or diseased plants will be accepted.
- e. Plug Stock Plants: Provide plug stock plants grown in an approved nursery in accordance with good horticultural practice, with healthy root systems developed by transplanting or root pruning. Plug stock shall be grown in 2-inch cavity trays. Tidal plug stock plants shall be acclimated in the nursery to salinity levels between 15 and 25 ppt for a period of not less than two (2) weeks prior to installation. Plugs shall be propagated and grown in cells and not as bare root stock or as bedded plants. The extracted root system shall conform to the shape and dimensions of the growing cells without sloughing soil or growth media as determined by on-site inspection. Materials not conforming to the dimensions of the cell may be rejected without compensation to the Contractor. The extracted root system of the plugs shall have the majority of the roots in the vertical orientation. Roots shall be white in coloration and firm to the touch. Roots shall not have a strong sulfide odor (rotten egg smell) or be black in color. If the horizontal roots are thick and flattened and the roots

DIVISION VII - DETAILED SPECIFICATIONS –
CONTRACT SEQ-200490

stays in a thick net shape of the original cell when the media is shaken loose, the plant may be determined to be "pot bound " and shall be rejected without compensation to the Contractor. Species shall be as shown on the Contract Drawings.

4. Mulch

Mulch shall be organic mulch free from deleterious materials and suitable for top dressing of trees, shrubs or plants and shall be shredded hardwood bark, decayed hardwood chips, leaf mold, pine straw, partially decayed leaves, cottonseed hulls, peanut hulls or other organic products. Mulch must be aged at least one year, should not contain elm wood chips, or be from diseased trees. No shredded bark pieces shall be greater than 3" in length and 3" in width. Mulch for seeded areas shall be clean, seed-free salt hay. Mulch shall be free of roots or other parts of invasive exotic plants that may take root in restored area.

5. Temporary Seed Mixtures

Soil stockpiles and cleared and graded areas shall receive oat seed (*avena sativa*) for temporary stabilization as required during the spring and summer months.

Temporary seeding shall be oat seed (*Avena sativa*) at a rate of 30 lbs per acre or 0.7 lbs per 1,000 sq. ft. If area is seeded during months of September through November, certified "Aroostook" winter rye (*cereal rye*) shall be used at a rate of 50 lbs per acre or 1.25 lbs per 1,000 sq. ft.

6. Permanent Seed Mixture

Seed mixture shall be as specified on the Contract Drawings unless otherwise directed by the Engineer.

Nurse/Cover seed for the permanent seed mixture shall consist of oats (*Avena sativa*) during spring seeding season and certified "Aroostook" winter rye (*cereal rye*) during fall seeding season. Nurse/cover seed shall be added to the permanent seed mix at a rate of 10 lbs per acre or 0.23 lbs per 1,000 sq. ft.

DIVISION VII - DETAILED SPECIFICATIONS –
CONTRACT SEQ-200490

I. Execution

Installation/Application/Performance For Terrestrial and Wetland Buffer Zone Plants

1. **Workmanship.** The Contractor shall complete all work in the best manner, so that the work as a whole is of uniform quality and appearance. The Contractor shall conform to the requirements specified hereafter.
2. **Preparation.**
 - a. Areas described and shown on plans shall be rough graded with suitable local fill to (maximum) four (4) inches below the finished surface, fine graded, prepared for planting and landscaped.
 - b. Subgrade shall be kept free of masonry, concrete, metal waste materials, and debris.
 - c. Remove stones over 1-1/2 inches in any dimension, as well as sticks, rubbish and other extraneous matter.
 - d. The planting beds and pits shall be worked up well, and shall be free of other vegetation and large clods of soil.
 - e. Apply fertilizer at rate specified in Contract Drawings during planting and seeding operations.
3. **Delivery:** Plants shall be packed, transported, and handled with utmost care to insure adequate protection against injury. When transported in closed vehicles, plants shall receive adequate ventilation to prevent sweating. When transported in open vehicles, plants shall be protected by tarpaulins or other suitable cover material. All bare root plants shall be adequately protected from drying out and immediately after inspection shall be heeled in moist soil. Balled and burlapped plants shall be set on the ground and the ball covered with soil. Until planted, all material shall be properly maintained and kept adequately moist, to the satisfaction of the Engineer.
4. **Inspection:** Inspection may be made before digging if the Engineer directs, but no plant material shall be planted by the Contractor until inspected by the Engineer at the site of the work. Plant material will be rejected if delivered with broken or damaged root

DIVISION VII - DETAILED SPECIFICATIONS –
CONTRACT SEQ-200490

balls, or if damaged on site by rough handling. All rejected material shall be immediately removed from the site and replaced with acceptable material at no additional cost to the City. Final inspection shall be made upon completion of the Contract.

5. Installation:

a. Planting Operations.

1. Layout: All trees, shrubs and herbaceous shall be laid out in random and naturalistic arrangements, as specified in the Contract Drawings unless otherwise directed by the Engineer. Herbaceous plugs shall be planted at 2 foot on center spacing. All plant and planting area locations shall be staked prior to planting by the Engineer. Place no plantings within two (2) feet of pavements or structures, unless otherwise indicated.
2. Loosen sand to a depth of six (6) inches. Loosen sand with rototiller, backhoe or discer. The soil-loosening operation shall be conducted in such a way as to back its way out of the site. After this, no more heavy machinery shall be allowed on the planting beds.
3. Rototill/cultivate soils to a depth equal to the depth of the root ball and two times the diameter of the root ball. Set the tree/shrub on the undisturbed solid ground in the center of the area.
4. Obstructions below Ground: Remove any rock, rubble, masonry, concrete, metal, stones over one inch or other underground obstructions to the depth necessary to permit proper planting.
5. Disposal: Remove and dispose of all excess excavations and unsuitable materials. Dispose in accordance with all local laws and regulations at Contractor's cost.
6. Plant Beds: All plant material shall be planted in clean sand.

DIVISION VII - DETAILED SPECIFICATIONS –
CONTRACT SEQ-200490

7. Bare root material shall be adequately protected from drying out and immediately heeled in after inspection. The bundles of heeled-in plants shall be set upright on the ground, covered with mulch, and kept adequately moist until the time of installation. Until the time of planting, all plant material shall be stored in an approved location, securely fenced and maintained, to the satisfaction of the Engineer, at no additional cost to the City. All plants not planted immediately shall be watered as necessary to maintain optimal health until planting.
 8. Setting Plants: Plant all plants to the same depth as their place of growth, unless otherwise directed. Center the plants in their planting pits. Set in the natural upright position at such a level that, after settlement, a normal or natural relationship of the crown of the plant with the ground surface shall be established. Be careful not to exert any pressure that will damage any portion of the plant.
 9. Avoid compacting the sand. Do not leave plants exposed to sun or wind prior to planting. Take special care to avoid desiccation of fibrous-rooted plants.
 10. The Contractor shall be liable for any damage to property caused by planting operations and the Contractor shall, without any additional cost, restore to original condition or replace all trees, plant beds, lawns, meadows and all construction disturbed or damaged in performing the work of this Contract.
6. Method of Work. Submit a list of proposed methods of execution of work under this section for review by the Engineer when proposed methods are different from, or supplementary to, those specified herein.

J. Temporary Seed

1. A temporary seed mixture shall be used to stabilize stockpiles and portions of the site where construction activities have temporarily or permanently ceased no more than 7 days after the construction activity in that portion of the site has temporarily or permanently ceased. This requirement does not apply if earth-disturbing

DIVISION VII - DETAILED SPECIFICATIONS –
CONTRACT SEQ-200490

activities will be resumed within fourteen (14) days.

2. If temporary seeding is not made within 24 hours of construction/disturbance, the soil must be scarified prior to seeding.
3. Method of seeding – seed shall be evenly applied with broadcast seeder, drill or cultipack seeder.
4. If temporary seeding is made under favorable soil and site conditions during the optimum seeding dates (March 15 – May 15 or September 1 – October 15) mulch is not required. Any temporary seeding outside of those dates shall be hydroseeded with a mulch binder. Alternatively, the temporarily seeded area can be mulched with a straw of oat or wheat stalks (not hay) applied at a rate of 2 tons per acre (100 - 200 bales / acre) uniformly distributed over the sown seeds and held in place through the use of a straw crimper.
5. Any area with fail to establish vegetative cover adequate to prevent rill erosion will be reseeded as soon as such areas are identified.

K. Permanent Seed

1. Seed materials shall be inspected by the Engineer upon arrival at the job site and prior to planting. Any materials not in compliance with specifications shall not be accepted and shall be removed from the job site immediately.
2. All seed materials shall be protected from drying out and from wind damage during delivery.
3. All areas shown to receive seed on Contract Drawings and all areas which are disturbed and not indicated to be planted or paved shall be seeded.
4. Seedbed Preparation – Scarify all compacted areas and remove all debris and obstacles such as rocks and stumps.
5. Do not broadcast seed by mechanical application when the wind velocity is such as to prevent uniform seed distribution.
6. Time of Seeding – Permanent seeding shall be done within 15 days of final construction activities. Optimum seeding times are in the spring from March 15 – May 15 and in fall from September 1 –

DIVISION VII - DETAILED SPECIFICATIONS –
CONTRACT SEQ-200490

October 15. If construction is completed during mid-summer, permanent seeding may be done if watering will be provided.

7. Method of Seeding – Seed shall be broadcast by hand or mechanically using a drop-hopper. Seeds shall be blended thoroughly with a sand filler and uniformly broadcast over the entire area then gently hand raked 1/8 to ¼ inch into the soil.
8. Following the seeding operation, 10-10-10 fast release fertilizer shall be broadcast at a rate of 400 lbs/acre throughout the seeded area by hand or mechanically using a cyclone broadcaster. Seed shall be watered as recommended by the seed manufacturer to achieve specified growth coverage.
9. Seeded areas shall be covered with erosion control mat. Alternatively mulching straw of oat or wheat stalks (not hay) shall be applied at a rate of 2 tons per acre (100 - 200 bales / acre) uniformly distributed over the sown seeds and held in place through the use of a straw crimper.
10. Seeding shall be deemed acceptable when 85% coverage of the seeded area with the seeded species has been achieved. Any area not meeting this requirement shall be reseeded with the original seed mix.
11. Areas seeded with temporary cover grass shall be rototilled and/or harrowed prior to seeding with permanent seed mix during the allowed time period.

L. Final Acceptance

Plants must be thriving. Planting beds must be evenly mulched and free of invasive nonnative plant species. Paving/landscape interface must be a smooth, crafted transition free from defects such as gaps, sharp edges or sudden level changes.

M. Final Cleanup

At time of final inspection of work, and before final acceptance, clean any paved areas that are dirty or stained due to work of this Section by sweeping or washing, and remove any defacements or stains. Remove construction equipment, excess materials and tools. Remove from site any debris and dispose of off-site, in accordance with all local laws, and at the Contractor's expense. The Contractor shall also cut all perimeter grass and weeds before final acceptance.

DIVISION VII - DETAILED SPECIFICATIONS –
CONTRACT SEQ-200490

O. Measurement and Payment

The quantity to be measured for payment under this section shall be the total amount of trees, shrubs, herbaceous plants and seeded areas furnished, planted and maintained.

The contract price per unit for Landscaping Work shall be as indicated on the BID SCHEDULE OF PRICES Item Nos. BMP-7.401-I through BMP-7.401-J inclusive. The price bid shall be a separate unit price per tree, shrub and herbaceous plant specified within the Contract Drawings, and shall include the costs of all excavating and preparing planting pits and beds, adding soil amendments, furnishing plants, digging, inspecting, planting, pruning, staking, guying, anchoring, wrapping, mulching, fertilizing, furnishing seed, seeding, liming, disking, raking, tilling harrowing, mowing, material, and maintaining all plant material and seeded areas. The price bid shall also include the costs of all rough and fine grading, all specified soils necessary and required for the satisfactory completion of all landscaping work and all other work incidental thereto in accordance with the plans and specifications to the satisfaction of the Engineer.

The contract price per square foot of seeding shall be as indicated on the BID SCHEDULE OF PRICES Item No. BMP-7.401-I.

PLANT MATERIAL SUMMARY FOR LANDSCAPING WORK

<u>Item</u>	<u>Description</u>
BMP-7.401-I inclusive	Seeding
BMP-7.401-J inclusive	Herbaceous Plants – Plugs

* * * * *

DIVISION VII - DETAILED SPECIFICATIONS –
CONTRACT SEQ-200490

Division VII - Detailed Specifications - Contract
Landscaping and Restoration Work

**Terrestrial and Wetland Zone
Planting, Transplanting and Seeding Schedule**

	Jan	Feb	Mar	Apr	May	June	July	Aug	Sep	Oct	Nov	Dec
Evergreen Material			4/1	5/15					9/1	10/15		
Deciduous Material			3/1	5/30						10/15	12/1	
Container-Grown Herbaceous Material			3/1	5/30				8/15	9/15			
Permanent Seeding			3/15	5/15					9/1	10/15		

H:\S File: 63000\Carmaestro Fig\Scrt-PlantingSchedule.cdr 9-11-09

DIVISION VII - DETAILED SPECIFICATIONS –
CONTRACT SEQ-200490

7.402 SOD

NO TEXT ON THIS PAGE

SEQ-200490

DIVISION VII - DETAILED SPECIFICATIONS -
CONTRACT SEQ-200490

7.403 TOPSOIL FOR RESTORED AREA

NO TEXT ON THIS PAGE

DIVISION VII - DETAILED SPECIFICATIONS –
CONTRACT SEQ-200490

7.404–A RESTORATION SPECIALIST (CONSTRUCTION MONITOR)

A. Description of Work

The Contractor is advised that the portions of work within this Contract pertaining to the construction of the outfall, wetland restoration and all other work in the project area shall require the supervisory expertise of a Restoration Specialist. The Restoration Specialist shall supervise all restoration work performed by the Contractor and his/her Subcontractors for the duration of the project, in accordance with the plans, specifications and directions of the Engineer.

The Restoration Specialist shall also be responsible for overseeing the implementation of the project's soil erosion control plan. In addition, the Restoration Specialist shall be cognizant of all conditions of the NYSDEC freshwater wetlands permit for the project, as they relate to work in the wetlands. Furthermore, the Restoration Specialist shall be responsible for overseeing all installation of plant material. The Restoration Specialist shall be responsible for preparing a restoration plan for any property disturbed by sanitary or storm sewer construction. The Restoration Specialist shall report to the NYCDDC, as represented on-site by the Engineer. The qualifications of the Restoration Specialist shall be approved by the NYCDDC and on-site prior to the start of any work.

B. Qualifications

The Restoration Specialist utilized to perform the work required must have performed at least three (3) projects similar in scope and type to the required work in the previous five (5) years. The Restoration Specialist shall be a Registered Landscape Architect or have equivalent professional experience. Prior to the start of work, the Contractor shall be required to submit the names and resumes of at least three prospective candidates to the NYCDDC. The NYCDDC shall approve the qualifications of the prospective candidates or alternatively ask for more choices, if the NYCDDC deems the candidates to be not qualified.

C. Site Monitoring

The Restoration Specialist shall monitor the Contractor's in-place erosion and sediment control devices, including, but not limited to, construction (limiting) fences, silt fences, etc., and shall notify the Contractor when maintenance or repair of these devices is necessary. The Restoration Specialist shall monitor related/adjacent construction to insure that these activities do not adversely impact restoration activities or the success of the restoration work.

DIVISION VII - DETAILED SPECIFICATIONS –
CONTRACT SEQ-200490

D. Restoration Supervision

The Restoration Specialist shall supervise all aspects of the wetland and upland installation including Wildlife Control and removal, in-stream sediment removal work, plant and sod salvage, and perimeter restoration work. The Restoration Specialist shall oversee all landscaping activities including installation of plant material related to the restoration of wetland areas.

E. Design and Design Review

The Restoration Specialist shall prepare, design and review design work as needed during construction. This work shall include but not be limited to the following:

- a. research and prepare design revision/modification drawings,
- b. research and prepare revisions/modifications to detailed specifications,
- c. prepare supplemental field sketches,
- d. review and critique design modification drawings and supplemental drawings.

The Restoration Specialist shall undertake this work when directed by the NYCDDC as represented on-site by the Engineer.

F. Photo Documentation

The Restoration Specialist shall keep a digital photograph log of the project. The photo log will follow the progress of the project, in a clear and understandable progression, and shall incorporate before, in progress and completed photographs of the work area and natural area restorations within the project. Fixed photopoints shall be used at each site to ensure that before and after photographs are taken from the same location and angle. The photo log will be utilized by NYCDDC for required reports, etc.

The Restoration Specialist shall use a digital camera with a minimum resolution of 4.1 megapixels for use during all phases of the project for photo-documentation purposes. The Restoration Specialist shall assemble the completed photo log onto CD's and transmit the complete photo log to the Engineer.

DIVISION VII - DETAILED SPECIFICATIONS –
CONTRACT SEQ-200490

G. Monitoring Reports

The Restoration Specialist shall prepare and submit a Monitoring Report to the NYCDDC representative, its agent, or the Engineer following the completion of all planting and associated restoration activities. The Restoration Specialist shall continue to submit an annual Monitoring Report until the guarantee period(s) for the plant material has expired. Six (6) copies of each report submittal shall be required.

The Restoration Specialist shall examine, monitor and report on the various components of the restoration and shall incorporate color photographs, color photocopies, graphs, etc., as appropriate. All information shall be reported in a concise format. The Monitoring Report shall:

- report on all construction activities related to restoration and stabilization,
- report the conditions of the vegetation planted within this Contract,
- quantify survival and cover rates and compare to permit requirements,
- recommend replacement species,
- report observed impacts to existing vegetation,
- report success rates in controlling erosion and sedimentation,
- report voluntary recruitment,
- present recommendations,
- give general commentary for increasing the success of future DDC restoration projects.

H. As-Built Plans and Information

No as-builts are required for the work under these specifications.

I. Measurement and Payment

The quantity to be measured for payment under this section shall be the total number of hours necessary for the supervision of all restoration work

DIVISION VII - DETAILED SPECIFICATIONS -
CONTRACT SEQ-200490

within this Contract, site monitoring, design and diagram review, photo documentation, preparation of monitoring reports and completion of the as-built plans in accordance with the plans, specifications and direction of the Engineer, performed prior to the date of Substantial Completion.

For supplying all labor, materials and equipment necessary for Restoration Specialist, the Contractor shall receive a unit price bid.

The contract price per unit for Restoration Specialist shall be as indicated on the BID SCHEDULE OF PRICES Item No. BMP-7.404-A. The unit price bid shall include the costs for all labor, materials, equipment and incidental expenses necessary or required to complete the work in accordance with the plans and specifications to the satisfaction of the NYCDDC representative, its agent, or Engineer.

No separate or additional payment will be made for work performed in accordance with the requirements of this section during the Maintenance and Guarantee Period specified for the Landscaping work. In addition, said work shall be considered a part of the Maintenance and Guarantee and subject to the provisions thereof should the Contractor fail to complete this work as specified.

* * * * *

DIVISION VII - DETAILED SPECIFICATIONS –
CONTRACT SEQ-200490

7.404-B EROSION AND SEDIMENT CONTROL LICENSED/CERTIFIED PROFESSIONAL

A. Description of Work

The Contractor is advised to retain the services of an independent Licensed/Certified professional with practical experience in the principles and practices of erosion and sediment control and Stormwater Management to prepare and certify a site specific Stormwater Pollution Prevention Plan (SWPPP) in compliance with the New York State Department of Environmental Conservation (NYSDEC) Pollutants Discharge Elimination System (SPDES) General Permit for Stormwater water Runoff from Construction Activities, GP-0-15-002, issued pursuant to Article 17, Titles 7, 8, and Article 70 of the Environmental Conservation Law (ECL). The Certified Professional shall be approved by NYCDDC and be present on-site prior to the start of any work.

Within thirty (30) days after the contract is registered, The Contractor shall submit a complete SWPPP and Notice of Intent (NOI) to NYCDDC's Infrastructure – Engineering Support Unit for review and comments. The Contractor through his Licensed/Certified Professional shall make all necessary revisions required and resubmit the SWPPP and the NOI for acceptance and signature. Work shall not begin until a permit identification number is issued by the NYSDEC, and an initial inspection is conducted by the Licensed/Certified Professional certifying that the appropriate control measures specified in the SWPPP have been adequately implemented to the satisfaction of the Resident Engineer and the Project Manager of the Engineering Support Unit.

B. Qualifications

The Licensed/Certified Professional employed to perform the required work must have previous experience in work of this nature and in completing the necessary submittals required under this Contract. The Certified Professional shall be a Professional Engineer or a Landscape Architect licensed to practice in New York State, or a Soil and Water Conservation Society Certified Professional in Erosion and Sediment Control (CPESC). Prior to the start of work, the Contractor is required to submit the names and resumes of at least three (3) prospective candidates to the NYCDDC for approval. The NYCDDC shall make a selection or alternatively ask for more choices, if they deem the candidates to be unqualified.

C. Site Monitoring, Inspection and Reports

DIVISION VII - DETAILED SPECIFICATIONS –
CONTRACT SEQ-200490

The Certified Professional shall monitor disturbed areas and the Contractor's in-place erosion and sediment control devices, including Turbidity Curtain, Construction Limit fence, Silt Fence, Stabilized Construction Entrance, Portable Sediment Tanks, and site dewatering measures, and shall notify the Contractor when maintenance or repair of these devices is necessary.

Following the start of construction activities, site inspections shall be conducted by a Certified Professional at least once a week and within 24 hours of rainfall events of 0.5 inches or greater. For construction sites where soils disturbance is greater than five (5) acres at one time, the Certified Professional shall conduct at least two (2) site inspections every seven (7) calendar days and within twenty-four (24) hours of the end of each rainfall event of 0.5 inches or greater. The two inspections shall be separated by a minimum of two (2) full calendar days. Subsequent to each inspection, a Certified Professional shall prepare an inspection report and submit the original to the Resident Engineer and one copy to the Infrastructure-Engineering Support Unit. At a minimum, the inspection report shall include, but not limited to, the following information:

1. Date and Time of inspection;
2. Name and Title of person performing the inspection;
3. A description of the weather and soil conditions (e.g. dry, wet, saturated) at the time of the inspection;
4. A description of the condition runoff at all points of discharged from the construction site. This shall include identification of any discharges of sediment from the construction site. Include discharges from conveyance systems (i.e. pipes, culverts, ditches, etc.) and overland flow;
5. A description of the condition of all natural surface waterbodies located within or immediately adjacent to the properties boundaries of the construction site which receive runoff from disturbed areas. This shall include identification of any discharges of sediment to the surface waterbody;
6. Record of any evidence of soil erosion on the site, potential for pollutants entering the drainage systems, problems at discharge points (such as turbidity in receiving water) and signs of soil and mud transport from the site to the public road at the limits of the project;
7. Identification of all erosion and sediment control practices that need repair or maintenance;
8. Identification of all erosion and sediment practices that were not installed properly or are not functioning as designed and need to be reinstalled or replaced;

DIVISION VII - DETAILED SPECIFICATIONS –
CONTRACT SEQ-200490

9. Description and sketch of areas with active soil disturbance activity, areas that have been disturbed but are inactive at the time of the inspection, and areas that have been stabilized (temporary and/or final) since the last inspection;
10. Current phase of construction of all post-construction stormwater management practices and identification of all construction that is not in conformance with the SWPPP and technical standards;
11. Corrective actions that must be taken to install, repair, replace or maintain erosion and sediment control practices; and to correct deficiencies identified with the construction of post-construction stormwater management practices;
12. Identification and status of all corrective actions that were required by previous inspection;
13. Digital photographs, with date stamp, that clearly show the condition of all practices that have been identified as needing corrective actions. The Qualified Inspector shall attach paper color copies of the digital photographs to the inspection report being maintained onsite within seven (7) calendar days of the date of the inspection. The qualified inspector shall also take digital photographs with date stamp, that clearly show the condition of the practice(s) after the corrective actions has been completed. The qualified inspector shall attach paper color copies of the digital photographs to the inspection report that documents the completion of the corrective action work within seven (7) calendar days of that inspection.
14. Within one business day of the completion of an inspection, the Qualified Inspector shall notify the Contractor and the Resident Engineer of any corrective actions that need to be taken. The Contractor shall begin implementing the corrective actions within one business day of this notification; and
15. All the inspection reports shall be signed by the Licensed Professional.

The Contractor shall retain a signed copy of the General Permit GP-0-15-002, NOI, SWPPP, signed MS4 SWPPP Acceptance form, NOI Acknowledgment Letter and all original inspection reports required by this general permit at the construction site in a prominent place for public viewing from the date of initiation of construction activities to the date of final stabilization and the Notice of Termination (NOT) has been submitted to the NYSDEC. These documents must be made available to the permitting authority upon request. Prior to starting construction, the Contractor shall certify that the SWPPP was prepared in accordance with the requirements of the permit and it meets all federal, state and local erosion and sediment control requirements.

DIVISION VII - DETAILED SPECIFICATIONS –
CONTRACT SEQ-200490

In addition, the Contractor and Subcontractors shall identify at least one Trained Contractor who is an employee of the company that will be responsible for a day to day implementation of the SWPPP. The name and telephone number of this person should be listed in the SWPPP. The Trained Contractor shall be a Professional Engineer, Registered Landscape Architect, or have received a DEC-endorsed four (4) hours of Erosion and Sediment Control training. After receiving the initial training, the Trained Contractor shall attend a four (4) hours training every three (3) years. The Contractor shall ensure that at least one Trained Contractor is on site on a daily basis when soil disturbance activities are being performed.

Performing implementation of a SWPPP on a permitted construction project without a Trained Contractor on site daily is a violation of Part III.A.6 of the SPDES General Permit GP-0-15-002. Stormwater controls must be maintained in good operating condition until all disturbed soils are permanently stabilized. Control devices in need of repair should be repaired promptly after identification.

Prior to filing of the Notice of Termination (NOT), or at the end of the permit term, the Contractor shall have the Licensed Professional perform a final site inspection. The Licensed Professional shall certify that the site has undergone final stabilization using either vegetative or structural stabilization methods and that all temporary erosion and sediment controls (such as silt fence, turbidity curtain, stabilized construction entrance) not needed for long term erosion control have been removed. Subsequently, the Contractor shall submit a complete NOT to the Engineering Support Unit to terminate the permit coverage.

Additionally, the Licensed Professional must identify all permanent Stormwater management structures that have been constructed, and provide the owner(s) of such structures with a manual describing the operation and maintenance practices that will be necessary in order for the structures to function as designed after the site has been stabilized.

The Licensed Professional must also certify that the permanent structures have been constructed as described in the SWPPP.

D. Contractor's Liability.

The Contractor shall be liable for any discharge that either causes or contributes to a violation of water quality standards as contained in Parts 700 through 705 of Title 6 of the Official Compilation of Codes, Rules and Regulations of the State of New York. Should any storm water runoff from the site violate the water quality standards, the Contractor will be

DIVISION VII - DETAILED SPECIFICATIONS -
CONTRACT SEQ-200490

directed to take immediate steps, at his own expense, to rectify the situation and prevent any further sediment from entering the storm sewer system.

In the event that pollutants are discharged to the storm water system due to the Contractor's negligence, the Resident Engineer will direct the Contractor to cease any or all construction activities contributing to the release of these pollutants. The Contractor shall be held responsible, at his own cost, for any and all necessary actions to remedy the damage.

Furthermore, failure of the Contractor and Sub-contractor(s) to strictly adhere to any permit requirements shall constitute a permit violation that could result in substantial criminal, civil, and administrative penalties.

It is the Contractor's responsibility to pay all the SPDES permit fees which shall consist of the yearly regulatory fee, the initial authorization fee per acre of land disturbed and per acre of future impervious area. The Contractor shall be liable for all penalties incurred due to his failure to pay these fees on time.

E. Measurement and Payment

The quantity to be measured for payment under this section shall be the total number of days necessary to prepare the required reports to secure the permits; conduct the inspection and supervision of all erosion and sediment control works within this Contract, site monitoring, photo documentation, and preparation of monitoring reports in accordance with the plans, specifications and direction of the resident engineer, performed prior to the date of substantial completion.

The Contractor shall receive a unit price bid for supplying all labor, materials and equipment required by the Certified Professional.

The contract price per unit for the Licensed/Certified Professional shall be as indicated on the Bid Schedule of Price for Item No. BMP-7.404-B. The unit price bid shall include, but not be limited to, the cost of furnishing all the labor, materials, fees, permits and testing required to prepare the SWPPP, provide and construct all erosion and sediment control devices in accordance with the approved SWPPP; inspect and monitor the work; comply with NYSDEC permitting requirements and all necessary incidentals to complete the work all in accordance with the specifications and the directions of the Engineer.

* * * * *

SEQ-200490

DIVISION VII - DETAILED SPECIFICATIONS –
CONTRACT SEQ-200490

7.405 VECTOR, PEST AND WILDLIFE CONTROL

NO TEXT ON THIS PAGE

DIVISION VII - DETAILED SPECIFICATIONS –
CONTRACT SEQ-200490

7.406

WOOD CHIPS

NO TEXT ON THIS PAGE

DIVISION VII - DETAILED SPECIFICATIONS -
CONTRACT SEQ-200490

7.407 JUTE MESH

NO TEXT ON THIS PAGE

DIVISION VII - DETAILED SPECIFICATIONS --
CONTRACT SEQ-200490

7.407-A EROSION CONTROL MAT - STRAW

NO TEXT ON THIS PAGE

DIVISION VII - DETAILED SPECIFICATIONS -
CONTRACT SEQ-200490

7.407-B EROSION CONTROL MAT -- CURLED WOOD OR COCONUT FIBER

NO TEXT ON THIS PAGE

DIVISION VII - DETAILED SPECIFICATIONS --
CONTRACT SEQ-200490

7.408-B HERBICIDE APPLICATION

NO TEXT ON THIS PAGE

SEQ-200490

DIVISION VII - DETAILED SPECIFICATIONS –
CONTRACT SEQ-200490

7.409

MYCORRHIZAL INOCULANTS

NO TEXT ON THIS PAGE

DIVISION VII - DETAILED SPECIFICATIONS –
CONTRACT SEQ-200490

7.410 PLANT PROTECTION FENCE

NO TEXT ON THIS PAGE

DIVISION VII - DETAILED SPECIFICATIONS –
CONTRACT SEQ-200490

7.411 WATERING AND WEEDING DURING GUARANTEE PERIODA. Description of Work1. Planting Period:

The Contractor shall provide all labor, material, tools and equipment necessary to maintain and cultivate the healthy growth of all plantings in the planted area after installation, in accordance with the specifications and contract drawings, during the planting period of the project. For the purposes of this item, the planting period shall begin at the onset of planting, and be continuous until planting is accepted. Plant material will not be accepted unless the plants exhibit healthy growth and satisfactory foliage conditions. For watering and weeding during the planting period, the Contractor shall utilize this item for payment.

2. Guarantee Period:

Upon acceptance by the City and during the guarantee period, the Contractor shall assume the work outlined within this item at no additional payment. No separate payment will be made for watering and weeding during the guarantee period, and such work will be deemed included in the prior bid for plant material.

B. Requirements

The Contractor's responsibilities under this item consists of watering and weeding after installation as required to maintain installed plant material in a healthy and vigorous condition and to provide an acceptable growth medium, in accordance with the specifications and contract drawings.

The Landscape Subcontractor shall submit a watering and weeding plan and maintenance schedule prior to the installation of plant material, to be approved by the Engineer or Restoration Specialist. The plan shall include proposed methods of watering and weeding, including tree gators (bags), sprinklers, drip hoses, irrigation, tanker vehicles and hand watering, etc., as well as manual weeding and weeding tools.

The approved plan and schedule do not relieve the Contractor in any way from any aspect of the replacement of dead plant material. The Landscape Subcontractor may alter the maintenance schedule based on weather and field conditions.

DIVISION VII - DETAILED SPECIFICATIONS –
CONTRACT SEQ-200490

C. No Separate Payment

No separate payment shall be made for this work of the specification. All costs shall be included in the various Contract Items of this Contract.

* * * * *

DIVISION VII - DETAILED SPECIFICATIONS –
CONTRACT SEQ-200490

7.412 SLOPE STABILIZATION

NO TEXT ON THIS PAGE

DIVISION VII - DETAILED SPECIFICATIONS –
CONTRACT SEQ-200490

7.413

TEMPORARY GOOSE EXCLUSION FENCE

NO TEXT ON THIS PAGE

DIVISION VII - DETAILED SPECIFICATIONS –
CONTRACT SEQ-200490

7.414 BMP AS-BUILT PLANS

NO TEXT ON THIS PAGE

DIVISION VII - DETAILED SPECIFICATIONS -
CONTRACT SEQ-200490

7.415 VINE AND INVASIVE PLANT REMOVAL

NO TEXT ON THIS PAGE

DIVISION VII - DETAILED SPECIFICATIONS –
CONTRACT SEQ-200490

7.415A WILDLIFE STRUCTURES

NO TEXT ON THIS PAGE

DIVISION VII - DETAILED SPECIFICATIONS –
CONTRACT SEQ-200490

7.416 GALVINIZED CHICKEN WIRE

NO TEXT ON THIS PAGE

DIVISION VII - DETAILED SPECIFICATIONS –
CONTRACT SEQ-200490

7.417 DEBRIS EXCLUSION FENCE

NO TEXT ON THIS PAGE

DIVISION VII - DETAILED SPECIFICATIONS –
CONTRACT SEQ-200490

7.418 CLEAN SAND FOR RESTORED AREA

A. Description of Work

Under this item, the Contractor shall provide clean sand for fill in accordance with the plans and directed by the Engineer.

The Contractor shall be liable for any damage to property caused by fill operations and all areas of construction disturbed shall be restored to their original condition to the satisfaction of the Engineer.

The Contractor shall supply information detailing source location of clean sand from off-site and provide a sample of sand to be used for inspection by the Engineer and Restoration Specialist prior to delivery of sand stockpile to site.

B. Material

Material shall consist of sand, free of organic material, loam, debris, frozen soil or other deleterious material which may be compressible. The sand shall be of uniform quality, friable, free from hard clods, stiff clay, hard pan, partially disintegrated stone, stones, lime, cement, ashes, slag, concrete, tar residues, tarred paper, gasoline, motor oil, or other petroleum hydrocarbons, boards, brush, weeds, stalks, roots, sods, chips, sticks or any other undesirable material. Invasive, nonnative seed shall not be allowed in the clean sand material.

Clean sand should conform to the following gradation requirements:

U.S. Standard Sieve Size	Percent Passing by Weight
No. 8	100
No. 10	15-100
No. 40	0-70
No. 60	0-12

Uniformly graded sands, defined as having a uniformity coefficient ($C_u = D_{60}/D_{10}$) less than 6, are unacceptable.

Tests shall be required and shall serve as a representative analysis for every 200 cubic yards of material utilized.

Clean sand shall comply with the following requirements: No sand shall be delivered in a frozen or muddy condition.

1. Invasive, Nonnative Plant Species: Clean sand shall be free of

DIVISION VII - DETAILED SPECIFICATIONS –
CONTRACT SEQ-200490

invasive nonnative plant propagules.

C. Measurement and Payment

The quantity of clean sand to be paid for under this item shall be the number of cubic yards of clean sand furnished from off-contract site sources (i.e. suppliers approved by the engineer), mixed, placed and incorporated in the completed work in accordance with the plans and specifications to the satisfaction of the Engineer, measured in trucks used for delivery, at the site of the work. The quantity of clean sand to be paid for under this item shall be measured in cubic yards in trucks used for delivery. No clean sand shall be furnished until ordered by the Engineer. Delivery ticket with name and address of vendor, date and estimated volume must be supplied to the Engineer prior to truck measurement.

The contract price per unit for Clean Sand shall be as indicated on the BID SCHEDULE OF PRICES Item No. BMP-7.418. The bid price shall be a unit price per cubic yard of Clean Sand, and shall include the cost of all labor, materials and equipment necessary to prepare topsoil areas, furnish, mix, place and incorporate topsoil and compost, and all other work incidental thereto, in accordance with the plans and specifications to the satisfaction of the Engineer.

* * * * *

DIVISION VII - DETAILED SPECIFICATIONS –
CONTRACT SEQ-200490

7.500

SOIL EROSION AND SEDIMENTATION CONTROL MEASURES

Under soil erosion and sedimentation control work, the Contractor shall provide all labor, materials, tools and equipment necessary to complete the execution of the work in complete accordance with the Specifications and all Contract Drawings. All Soil Erosion and Sedimentation Control work shall be done in conformance with and subject to the renewed State Pollutant Discharge Elimination System (SPDES) General Permits for Discharges Stormwater from Construction Activity, GP-0-15-002, the latest edition of the "New York Guidelines for Urban Erosion and Sediment Control" published by the Empire State Chapter of the Soil and Water Conservation Society, and the New York State Department of Transportation Standard Specification Part 107-12 -Soil, Erosion and Air Pollution Statement, including, but not limited to, the following methods of erosion and sedimentation control.

1. Slopes left exposed will, within 30 working days of completion of any phase of grading, be planted or otherwise provided with ground cover device, or structures sufficient to restrain erosion.
2. A ground cover sufficient to restrain erosion must be planted or otherwise provided within 15 working days on that portion of the tract (disturbed area) upon which further active construction is not being undertaken.

The Contractor shall submit for approval by the Engineer, and NYSDEC, a written Erosion and Sedimentation Control Plan, prepared by a Certified Professional in Erosion and Sediment Control (CPESC), who is a Professional Engineer (P.E.) or under the supervision of a P.E. The Erosion and Sediment Control Plan must be signed and sealed by that CPESC and/or the supervising P.E. The Plan shall comply with all conditions of the applicable freshwater wetland permit issued by NYSDEC.

The Erosion and Sedimentation Control Plan shall conform to the guidelines as set forth in the latest edition of the "New York Guidelines for Urban Erosion and Sediment Control" published by the Empire State Chapter of the Soil and Water Conservation Society and he/she shall implement the followings:

- No stockpiling of excavated material would be allowed in a manner or location that would permit erosion and its subsequent sedimentation in wetlands or other natural areas.
- No storage of soil shall be permitted within the Contract limits.

DIVISION VII - DETAILED SPECIFICATIONS –
CONTRACT SEQ-200490

Soil is deemed to be for this requirement any sediment including material such as topsoil fill, sand, any excavated material, boulders, stones, cold patch, etc.

- Storm sewers will be installed in a sequence and manner that reduces the time during which the tops of excavated areas would be exposed and vulnerable to erosion.
- At the end of each day's work, the street where sewers are being installed will be cleaned and swept to reduce the amount of soil that could potentially impact downstream areas as sediment. The Contractor shall be required to have a street sweeper on the site.
- Use truck tracking pads at the construction access locations to remove sediment from the tires of the trucks and other construction equipment prior to driving on the adjacent streets.
- Utilize sediment basins, sediment traps and/or sediment filters in the erosion control plan to capture sediment from run-off and from water produced by dewatering operations.
- Use portable sediment tanks to remove sediment from water generated by dewatering operations. All water from dewatering shall be treated before discharge into any surface water bodies, unless the turbidity of the effluent is less than the ambient level of the receiving water body as measured by the turbidity meter in standard units (i.e. NTU's).
- The Contractor shall supply all portable equipment.
- Use silt fence as shown on Contract Drawings, unless otherwise directed by the Engineer.
- Schedule work in wet areas, such as the mitigation site, during relatively dry summer months.
- Employ water diversions to direct the stream away from the area being worked on, so as to create drier conditions for in-stream work.
- Use temporary pumping sump to control water level at site.
- Prior to the start of construction activities, such as sewer installation, inspect all erosion control measures and continually monitor them, especially after each storm event.

DIVISION VII - DETAILED SPECIFICATIONS –
CONTRACT SEQ-200490

- If the Contractor uses dewatering methods which produce effluent discharges, the Contractor shall monitor each discharge effluent and receiving water body. Discharges shall not cause substantial visible contrast to the natural condition in any receiving water body. A meter which records turbidity in standard units (i.e. NTUs) shall be utilized to establish ambient conditions in each water prior to discharge. If any monitored turbidity level exceeds the ambient level of the receiving water body, the Contractor shall insure (e.g., by reducing the flow rate or otherwise adjusting the dewatering system) that no substantial visible contrast to the natural condition in the receiving water body occurs. The action(s) taken, or the decision not to take any action, shall be recorded in the monitors log.

The Contractor shall not receive any payment for the preparation of the Erosion and Sedimentation Control Plan. Installation of the Erosion and Sedimentation features and maintenance of them will result in payment for their respective items as described in Section 7.501 through 7.516. The work shall take place at the mitigation site only and is not payment for street work or the installation of sewers; with the exception of the Erosion and Sediment Control Licensed Professional (Section 7.404-B). The Erosion and Sediment Control Licensed Professional shall oversee construction and the installation of the sewers for the entire project.

The work shall include items of work specified under the following sections:

<u>Section Number</u>	<u>Title</u>
7.501	Maintenance of Erosion Control Measures
7.504-A	Silt Fence
7.509A	Stabilized Construction Entrance
7.510	Portable Sediment Tank
7.516	Turbidity Curtain

DIVISION VII - DETAILED SPECIFICATIONS –
CONTRACT SEQ-200490

7.501 MAINTENANCE OF EROSION CONTROL MEASURES

Maintenance/repair of the erosion and sediment control measures shall be performed by the Contractor only as directed by the Engineer.

When, in the judgment of the Engineer, Restoration Specialist, and NYCDDC Construction Monitor, the soil erosion control measures have deteriorated to a point of not functioning adequately because of storm events, the Contractor shall be notified to make the necessary repairs.

If the Engineer deems that the erosion control device was not adequately installed in the first place, repair of such a device shall be the sole responsibility of the Contractor.

Damage to the erosion control measures caused by the construction activity of the Contractor is the responsibility of the Contractor. If the Engineer determines that the damage is the result of the Contractor's construction activity, then the Engineer shall order that the devices are repaired. The Contractor shall make the repairs at his/her own expense.

In the event that the erosion control measures are damaged as a result of vandalism by the general public, the Contractor shall notify his insurance company and put forth his claim for remuneration to the said damage.

* * * * *

DIVISION VII - DETAILED SPECIFICATIONS –
CONTRACT SEQ-200490

7.502 CONSTRUCTION LIMIT FENCE

NO TEXT ON THIS PAGE

SEQ-200490

DIVISION VII - DETAILED SPECIFICATIONS –
CONTRACT SEQ-200490

7.503A STAKED STRAW BALES

NO TEXT ON THIS PAGE

DIVISION VII - DETAILED SPECIFICATIONS –
CONTRACT SEQ-200490

7.504 REINFORCED SILT FENCE

NO TEXT ON THIS PAGE

DIVISION VII - DETAILED SPECIFICATIONS –
CONTRACT SEQ-200490

7.504-A SILT FENCEA. Description of Work

The Contractor shall furnish all materials, labor, and equipment necessary to construct silt fence specified herein and as shown on the Contract Drawings, including all incidental and appurtenant work required for a complete job.

Upon furnishing and installing the approved silt fence but prior to commencing any other work on-site, the Contractor shall notify the Engineer and arrange for an on-site inspection.

The silt fence shall be maintained in good condition and repaired as necessary by the Contractor during the construction and post-construction/site stabilization phases as directed by the Engineer.

B. Materials and Methods

1. Welded Wire Fence: The welded wire fence shall be a welded wire fence with a minimum height of 20 inches. The fence shall be constructed of wire fabric fastened to the middle rails and to vertical line posts.

Wire fabric shall be of No. 14 gauge wire with a mesh of approximately 4 inches. The upper edge of the fabric shall be twisted and barbed. The fabric shall be securely fastened to vertical line posts by means of ties and spaced not more than 12 inches apart on rails and not more than 14 inches apart on line posts.

The silt fence shall be located where indicated on the Contract Drawings. The fence shall be adjusted to avoid interference with trees and to maintain access to houses.

Line posts shall be spaced not more than 6 feet on centers. Posts shall be securely set in the ground. Line posts shall extend at least 16 inches below finished grade. Post locations shall be adjusted to avoid tree roots as appropriate.

2. Filter Fabric: Filter fabric shall be securely attached to the vertical line posts and wire fabric.

The filter fabric shall be purchased and delivered in a continuous roll and cut on-site to the length of the barrier(s) to avoid the use of

DIVISION VII - DETAILED SPECIFICATIONS –
CONTRACT SEQ-200490

joints. Dimensions of the roll shall be thirty-six (36) inches by one hundred (100) feet in length. When joints are necessary, filter cloth shall be spliced together only at a line post, with a minimum 6-inch overlap, and securely sealed. The filter fabric shall be Fabric MUTUAL MISF 1776 as manufactured by Mutual Industries Inc., Fabric # GTF190SF as manufactured by Thrace Linq, Fabric # Geotex2130 as manufactured by Propex, or approved equal.

A trench shall be excavated approximately 6 inches wide and 6 inches deep along the line of posts and upslope from the barrier. The filter fabric shall be extending into the trench, the trench backfilled, and the soil compacted over the filter fabric.

Silt fences shall be removed when they have served their useful purpose, but not before the upslope area has been permanently stabilized.

C. Maintenance

The silt fences shall be inspected periodically (at least once per week), or as directed by the Engineer. Any required repairs shall be made immediately.

Filter fabric shall be inspected at least once per week and immediately after each rainfall and at least daily during prolonged rainfall. Any required repairs shall be made immediately. Should the fabric decompose or become ineffective prior to the end of the expected usable life while the barrier is still necessary, the fabric shall be replaced promptly.

D. Measurement and Payment

The quantity to be measured for payment under this section shall be the total number of linear feet of silt fence, installed and maintained in accordance with the plans, specifications and directions of the Engineer. The welded wire fence and filter fabric which together make up the silt fence shall be measured as one erosion and sediment control feature.

The bid price shall constitute full compensation for all labor, materials and equipment and incidental expenses necessary to complete the work in accordance with the plans and specifications and to the satisfaction of the Engineer.

SEQ-200490

DIVISION VII - DETAILED SPECIFICATIONS –
CONTRACT SEQ-200490

Payment will be made under:

Item No.	Item	Pay Unit
BMP-7.504A	Silt Fence	LF

DIVISION VII - DETAILED SPECIFICATIONS –
CONTRACT SEQ-200490

7.505

SAND BAGS

NO TEXT ON THIS PAGE.

DIVISION VII - DETAILED SPECIFICATIONS –
CONTRACT SEQ-200490

7.506 SEDIMENT TRAP WITH FILTER

NO TEXT ON THIS PAGE

DIVISION VII - DETAILED SPECIFICATIONS –
CONTRACT SEQ-200490

7.507

SEDIMENT FILTER

NO TEXT ON THIS PAGE

DIVISION VII - DETAILED SPECIFICATIONS –
CONTRACT SEQ-200490

7.508 SEDIMENT BASIN

NO TEXT ON THIS PAGE

DIVISION VII - DETAILED SPECIFICATIONS –
CONTRACT SEQ-200490

7.509A STABILIZED CONSTRUCTION ENTRANCE

A. Description of Work

The Contractor shall furnish all materials, labor, and equipment necessary to construct the stabilized construction entrance specified herein and within the limits as shown on the Contract Drawings, including all incidental and appurtenant work required for a complete job.

Upon furnishing and installing the stabilized construction entrance but prior to commencing any other work on-site, the Contractor shall notify the Engineer and arrange for an on-site inspection.

The entrance shall be maintained in good condition and repaired as necessary by the Contractor during the construction phases as directed by the Engineer.

B. Materials and Methods

1. The entrance areas shall be cleared and stripped of all vegetation, roots and other objectionable material prior to installation of the access way as specified.
2. Provide surface drainage and divert excess runoff to stabilized areas as required and as directed by the Engineer.
3. Rock - use NYSDOT Size No. 3 coarse aggregate.
4. Thickness - not less than six (6) inches for rock.
5. Width shall be fifteen (15) foot minimum.
6. Filter cloth shall be placed over the entire area prior to placing of stone. Filter cloth shall be as specified below.

Filter cloth underliner shall be suitable for heavy duty construction traffic and have the following minimum properties:

Grab tensile strength	220 lbs.
Elongation at failure	220%
Mullen Burst Strength	430%
Puncture Strength	120 lbs.
Equivalent opening size	40-80 mm

DIVISION VII - DETAILED SPECIFICATIONS --
CONTRACT SEQ-200490

Filter cloth shall be TenCate Mirafi 600X, Beltech 315, TerraTexHD or approved equal.

7. Surface water - All surface water flowing or diverted toward construction entrances shall be piped across the entrance. If piping is impractical, a mountable berm with 5:1 slopes will be permitted.
8. Maintenance - the entrance shall be maintained in a condition which will prevent tracking or flowing of sediment onto public rights-of-way. All sediment spilled, dropped, washed or tracked onto public rights-of-way must be removed immediately.
9. When truck washing is required, it shall be done on an area stabilized with stone and which drains into an approved sediment trapping device.
10. Periodic inspection and needed maintenance shall be provided after each rain.
11. After completion of the project, the stabilized construction entrance shall be removed and regraded to its original condition. Prior to grading and planting, the area shall be tilled to lessen the compaction of the soils.

C. Maintenance

1. Maintenance of the stabilized construction entrance will include periodic inspection of the surface condition. Top dress with new gravel as needed. Any areas producing sediment should be treated immediately.
2. After completion of the project, the stabilized construction entrance shall be removed and the areas regraded to their original elevations. Prior to seeding and planting, the areas shall be tilled to lessen the compaction of the soils.
3. For those stabilized construction entrances that are in the beds of accessways, the rock can stay in place for use in accessways.

D. No Separate Payment

The contract price per unit for the Stabilized Construction Entrance shall be as indicated on the BID SCHEDULE OF PRICES, Item No. BMP-7.509-A. The bid price shall constitute full compensation for all labor, materials and equipment and incidental expenses necessary to complete

DIVISION VII - DETAILED SPECIFICATIONS –
CONTRACT SEQ-200490

the work in accordance with the plans and specifications and to the satisfaction of the Engineer.

* * * * *

DIVISION VII - DETAILED SPECIFICATIONS –
CONTRACT SEQ-200490

7.510 PORTABLE SEDIMENT TANKA. Description of Work

The Contractor shall furnish all materials, labor and equipment necessary to install the portable sediment tank specified herein and as shown on the Contract Drawings. A sediment tank is a compartmented tank container through which sediment laden water is pumped to trap and retain the sediment.

The purpose of the portable sediment tank is to trap and retain sediment prior to discharging the water to wetlands, adjoining properties and rights-of-way below the sediment tank site. The sediment tank shall be located for ease of cleanout and disposal of the trapped sediment and to minimize the interference with construction activities and pedestrian traffic. The temporary relocation of the tank(s) during clean-out shall be included in the cost of this item. Relocating the tank(s) from one work area to another before, during and after construction shall be included in the cost of this item.

B. Design Criteria

The following formula should be used in determining the storage volume of the sediment tank: pump discharge (gpm) x 16 = cubic foot storage.

Certified pump curves are to be provided to ensure that the pump provided can meet the hydraulic requirements.

C. Tank Specifications

The portable sediment tank shall be an above ground horizontal single-wall UL-142 manufactured by Highland Tank or weir box manufactured by Rain for Rent or equivalent as approved by the Engineer.

The Contractor shall submit proposed sediment tanks for approval.

D. Maintenance

Portable sediment tanks shall be installed and maintained in accordance with Section 5A.47 of the New York Standards and Specifications for Erosion and Sediment Controls to the satisfaction of the Engineer.

The Contractor shall be responsible for cleaning out the sediment tank when it is one-third (1/3) filled with silt. All sediment collected in the tank

DIVISION VII - DETAILED SPECIFICATIONS –
CONTRACT SEQ-200490

shall be disposed of in an approved location in which further sediment transport will not occur or as approved by the Inspector.

E. Measurement and Payment

The quantity to be paid for under this item shall be the number of portable sediment tanks placed in accordance with the plans and specifications to the satisfaction of the Engineer, measured in number of above items at the site of the work.

The Contract price per unit for portable sediment tanks shall be as indicated on the BID SCHEDULE OF PRICES, Item No. BMP-7.510. The bid price shall be a unit price per portable sediment tank and shall include the cost of all labor, materials and equipment necessary to furnish, place and incorporate and all other work incidental thereto, in accordance with the plans and specifications to the satisfaction of the Engineer.

* * * * *

SEQ-200490

DIVISION VII - DETAILED SPECIFICATIONS –
CONTRACT SEQ-200490

7.511 STORM DRAIN - INLET PROTECTION MEASURES

NO TEXT ON THIS PAGE

DIVISION VII - DETAILED SPECIFICATIONS -
CONTRACT SEQ-200490

7.512 DIRTBAG

NO TEXT ON THIS PAGE

DIVISION VII - DETAILED SPECIFICATIONS –
CONTRACT SEQ-200490

7.513 SURFACE WATER COLLECTOR

NO TEXT ON THIS PAGE

DIVISION VII - DETAILED SPECIFICATIONS –
CONTRACT SEQ-200490

7.514

TEMPORARY WATER BARRIER

NO TEXT ON THIS PAGE

DIVISION VII - DETAILED SPECIFICATIONS –
CONTRACT SEQ-200490

7.515 JERSEY BARRIER

NO TEXT ON THIS PAGE

DIVISION VII - DETAILED SPECIFICATIONS –
CONTRACT SEQ-200490

7.516 TURBIDITY CURTAIN

A. Description of Work

1. The Contractor shall furnish, deliver and install a turbidity curtain in the water body adjacent to the work area to trap sediment and prevent migration of silt from the work site into the water body. The turbidity curtain is an impenetrable barrier supported at the top through a flotation system and weighted at the bottom to achieve closure.
2. The turbidity curtain shall be used when construction activity occurs along the water body shoreline. The turbidity curtain shall be in place prior to any work starting in the work area before any land disturbance activities are initiated. The turbidity curtain shall be removed within a week of completing the work.
3. The Turbidity Curtain shall be located beyond the lateral limits of the work area and firmly anchored in place. The alignment shall be set as close to the work area as possible but not so close as to be disturbed by construction equipment. The height of the curtain shall be 20% greater than the depth of the water at Mean Higher High Water, to account for water level fluctuations and tidal range.
4. End anchors shall be provided, with intermediate anchor points (for stakes or anchors) such that unanchored spans do not exceed 100 feet, sufficient to maintain the turbidity curtain in place.

B. Materials

1. Turbidity Curtain shall be per NYSDOT Sheet 209-06.
2. Turbidity Curtain shall be made from monofilament woven polypropylene with the following properties, or approved equal:

Composition:	5.8 oz/sq. yd. (ASTM D-4632)
Grab Strength	120 lbs (ASTM D-4533)
Trap Tear Strength	600 psi (ASTM 3786)
Burst Strength	150 psi (ASTM D-3787)
Elongation	70%, 500 hrs (ASTM D-4632)
UV Resistance	40 (ASTM D-4335)

3. Turbidity Curtain floats shall be 6 inch diameter expanded polystyrene logs providing a minimum of 9 lbs/ft buoyancy.

DIVISION VII - DETAILED SPECIFICATIONS –
CONTRACT SEQ-200490

4. Curtain shall have 5/16 inch galvanized steel tension cable and 5/16 inch galvanized ballast chain, or approved equal.
5. Seams shall be double sewn with grommets.
6. Barrier connection shall be using marine grade quick connects.

C. Method

1. The area of proposed installation of the curtain shall be inspected for obstacles and impediments that could damage the curtain or impair its effectiveness to retain sediment.
2. All materials shall be removed at the end of construction so they do not enter the water body.
3. Shallow installations can be made by securing the curtain by staking rather than using a flotation system. Supplemental anchors of the turbidity curtain toe shall be used, as needed, depending on water surface disturbances such as boats and wave action by winds.

D. Maintenance

1. The turbidity curtain shall be inspected daily and repaired or replaced immediately.
2. When necessary, or as directed by the Engineer, sediment removal shall be done by hand prior to removal of the barrier.
3. All removed silt shall be stabilized away from the water body.
4. The barrier shall be removed by carefully pulling it toward the construction site to minimize the release of attached sediment. Any floating construction or natural debris shall be immediately removed to prevent damage to the curtain.
5. If the curtain is oriented in a manner that faces the prevailing winds, frequent checks of the anchorage shall be made.

E. Measurement and Payment

The quantity to be measured for payment under this Section shall be the total number of linear feet, provided and placed, and removed upon the

DIVISION VII - DETAILED SPECIFICATIONS --
CONTRACT SEQ-200490

completion of work, as indicated on the Contract Drawings and as directed by the Engineer.

The contract price per linear foot of turbidity curtain shall be as indicated on the BID SCHEDULE OF PRICES Item No. BMP-7.516. The bid price shall constitute full compensation for all labor, materials, equipment and work incidental thereto, necessary to complete the work in accordance with the plans and specifications to the satisfaction of the Engineer.

* * * * *

UI - PAGES**UTILITY INTERFERENCES SECTION**

NOTICE

THE PAGES CONTAINED IN THIS SECTION (UI - PAGES) REPRESENT ADDITIONAL CONTRACT REQUIREMENTS APPLYING TO WORK PERFORMED IN THE PRESENCE OF PRIVATELY OWNED UTILITY FACILITIES.

(NO TEXT ON THIS PAGE)

UTILITY INTERFERENCES (UI) SECTION

DATED: November 30, 2016

1. The Contractor shall be responsible for compliance with all the provisions of the following Sections and Schedules, which are hereby made a part of the original contract documents:
 - A. "UI SECTION: Additional Contract Requirements Applying to Work Performed in the Presence of Privately Owned Utility Facilities" (Pages UI-3 through UI-11).
 - B. Schedule U-1 (Page UI-13).
 - C. Schedule U-2 Con Edison (Pages UI-14 through UI-17)
Time Warner (Pages UI-18 through UI-19)
Verizon (Pages UI-20 through UI-21)
 - D. Schedule U-3 Page UI-22 (as per the Private Utilities reference document for UI SECTION called "CET SPECIFICATIONS AND SKETCHES", dated November 2010), and Sketches (Pages UI-23 through UI-24) in this Section UI-Pages; and,
2. Each facility operator shall provide inspectors at the work site to inspect methods of interference work, verify quantities and items of Utility Work, and coordinate all phases of the facility operator operations.
3. In addition, the following statements are made to provide clarification of various Paragraphs under UI Section:
 - A. UI Section, Paragraph 4, requires the Contractor to immediately commence negotiations with each Company for an Interference Agreement under which the Company will compensate the Contractor for any Interference Work which the Company does not elect to perform with its own forces or by specialty contractors retained by the Company. Thus the Contractor is on notice that its work under the Contract may be affected by Interference Work performed by (a) the Contractor pursuant to a separate Interference Agreement with the Company, (b) the Company, or (c) partly by each.
 - B. UI Section, Paragraph 2, informs the Contractor that the duration of the Contract as shown in Schedule A includes the time which may be necessary for the Contractor to perform the necessary Interference Work.
 - C. The Contractor is hereby informed that the duration of the Contract as shown in Schedule A includes the time which may be necessary for the Company to

- B. UI Section, Paragraph 2, informs the Contractor that the duration of the Contract as shown in Schedule A includes the time which may be necessary for the Contractor to perform the necessary Interference Work.
- C. The Contractor is hereby informed that the duration of the Contract as shown in Schedule A includes the time which may be necessary for the Company to perform whatever portion of the Interference Work which the Company elects to perform with its own forces or by specialty contractors retained by the Company.
- D. UI Section informs the Contractor that the City has entered into an Interference Agreement with the Companies regarding interferences to the City work in this Contract created by the facilities owned and/or operated by such Companies. Pursuant to this Section, a sample of the Utility Agreement letter as executed by the Companies is annexed on page UI-12, as an Exhibit to the Contract. Signed copies of those Utility Agreement letters are on file with New York City Department of Design and Construction (DDC).
- E. The City has no contract with any of the Companies for work on or adjacent to the site of work under this Contract, and the Companies are not "Other Contractors" as defined for the purposes of this Contract. The Contractor is reminded, however, that pursuant to UI Section, Paragraph 4, the City will not compensate the Contractor for any direct and/or indirect costs related to Interference Work, regardless of whether such Interference Work is covered by an Interference Agreement between the Contractor and the Company or is performed by the Company using its own forces or by specialty contractors retained by the Company.
- F. UI Section, Paragraph 14, provides that the provisions of UI Section are material provisions of the Contract and that the Contractor's failure to comply with the procedures set forth in UI Section are sufficient for the Commissioner to declare the Contractor in default pursuant to Article 48 of the Contract.

Pursuant to this Section, the Contractor is informed that the Performance Bond required of the Contractor pursuant to the Contract is not deemed to guarantee performance of any of the Interference Work.

Utility Interferences Section - Additional Contract Requirements Applicable to Work Performed in the Presence of Privately Owned Utility Facilities

The Contractor is hereby notified that pursuant to the law and franchise agreements issued by the City, certain private utility and public service companies named in Schedule U-1 ("the Companies") own and/or operate surface and/or subsurface facilities within the limits of this contract. The existence of these facilities impacts the productivity of the City work called for in the contract. In order to improve coordination of the City construction with the private utility facilities owned and/or operated by the Companies named in Schedule U-1, Article 1.06.30 of the Standard Highway Specifications of the New York City Department of Transportation, Dated August 1, 2015; and/or Articles 10.15 through 10.18 of the Standard Sewer and Water Main Specifications of the New York City Department of Environmental Protection, Dated July 1, 2014; as applicable, are amended and will be implemented as follows:

1. Pre-engineering:

The anticipated scopes of private utility facilities interferences and anticipated work items and specifications are included in this contract. The locations of these interferences are indicated on the plans and/or listed in the specifications for this contract, and a schedule of estimated quantities by type of interference expected to be encountered within the limits of this project area have been listed on Schedule U-2. In addition, in Schedule U-3 the Companies have provided standard details and methods for supporting, protecting, relocating, and/or working around their facilities when they are in interference with City contract work.

2. Means and methods for City work:

a) The Contractor is hereby notified that the utility interferences identified on the plans and/or listed in the Specifications to be known conditions which may impact the performance of, and/or interferes with, City work. The Contractor will be required to perform such utility work as directed by the Resident Engineer in order to clear all utility interferences from the project site as required for satisfactory completion of City work within specified contract schedule.

b) In areas serviced by overhead lines on poles carrying electric, telecommunication and cable system, the Contractor understands and by bidding for this contract agrees that he/she has reviewed the schedule of estimated quantities by type of interference expected to be encountered within the limits of this project and that he/she will be required to perform the public work in the presence of these overhead lines and appurtenances located in areas adjacent and/or within the project area. As a consequence, he/she will select means and method of construction appropriate to maintain the safety clearances required or as permitted by contract specifications (e.g. "CET 350 - Overhead Accommodation Protection of Overhead Facilities, Poles, and Appurtenances") in order to avoid damaging the insulation or shielding of these lines and also to prevent knocking

them down. The duration of the contract as shown in Schedule A thus includes the time which may be necessary for the Contractor to remove, repair, protect, support, shift, temporarily remove and replace, work around and/or work in the presence of the Companies' facilities ("Interference Work") as described on the plans and/or specifications of the contract during the progress of the City work.

3. Field inspection prior to construction:

Prior to the start of any contract work in areas serviced by overhead electric lines, and after the award to the apparent low bidder for this contract, the Contractor must request a field walk of the project area along with the operator of the overhead electrical facilities and the DDC Engineer-In-Charge. At that time the facility operator, pursuant to contract specification (e.g. "CET 350 - Overhead Accommodation Protection of Overhead Facilities, Poles, and Appurtenances") will confirm the type and condition of the overhead electrical lines and the sufficiency of their insulating properties with respect to the means and methods proposed by the Contractor. The Contractor must be prepared to describe in enough details his/her proposed means and methods of construction operations in order to anticipate the likelihood that electric lines insulation would be cut or otherwise compromised. Also such details will allow the facility operator to anticipate the need for added insulation and/or shielding of non-insulated lines.

4. Compensation for Interference work:

Compensation for Interference Work is a matter of adjustment between the Contractor and each private utility company located within the limits of the project area and whose utility facilities are affected by City contract work. In particular, the City will not compensate the Contractor for any direct and/or indirect costs related to Interference Work, including, but not limited to, delay, lost profit, increased overhead, or any other impact costs which are deemed to be included in cost agreement between the Contractor and private utility company affected by such work. Upon receipt of a Notice of Award from the City, the Contractor shall immediately commence negotiations with each of the Companies concerning the manner in which and the price for which the Contractor, through its own forces or by others hired by it, will perform and be paid by the Company for all necessary Interference Work as defined above that the Company(ies) choose(s) not to perform with its(their) own forces or by specialty Contractors hired by it (them) (as per "Interference Agreement"). Specialty contractors' work is limited to (i) insulation installation and removal, (ii) live gas and steam work, (iii) cleanup and disposal of hazardous materials, (iv) splicing live electrical and telecommunications facilities, and (v) work not within the competence of general construction contractors.

5. Interference Agreement:

a) The Companies have provided estimate of the quantity of each type of interferences expected to be encountered in the contract in Schedule U-2. The parties may negotiate an Interference Agreement in any format or manner they deem fit based on quantities and types of Interferences expected to be encountered on this Contract as stated in Schedule U-2.

b) Furthermore, in Schedule U-3, standard unit work measurement and payment provisions are specified and shall apply only if the Contractor and affected Utility companies enters into a unit price based on an Interference Agreement; otherwise the unit of work measurement, and payment provisions set forth in Schedule U-3 shall not apply. The Contractor shall notify the City upon concluding an Interference Agreement with each of the Companies, which shall be binding and final once concluded.

6. City contract work to continue without Interference Agreement:

If, prior to the start of construction, as directed by the City's Order to work / Notice To Proceed (OTW/ NTP) date any of the Companies and the Contractor have not concluded an Interference Agreement as described above, then the City will issue to private utility company (ies) in a written "48 Hours' notice to Public Corporation" in accordance with the Administrative Code of the City of New York. Construction will then proceed as ordered and the Contractor will be directed by the Resident Engineer (RE) to perform the City work on Time, Material and Equipment basis (T&M) as specified in standard City contract agreement Article 26.2. T&M records will include identification of types of utility facilities interfering with City work; utility facility owners, specifying the nature and quantity of any materials, plant and equipment furnished or used in connection with the performance of such work and crew size, such as: name and number of each worker employed on such work. T&M records will also indicate the hours of active time, standby time and idle time. The Company (ies) and the Contractor will maintain separate records of the actual quantity and cost of labor, materials, and equipment expended, and will provide copies of this information to the other party on a daily basis for reconciliation. These T&M records along with cost evaluations will be submitted daily to the Resident Engineer for review and approval. The total cost of City work will be based on quantity of work performed multiplied by unit price contract bid items. The total interference cost will be calculated as the difference between the total T&M cost and total cost for City work. The Resident Engineer will conduct a monthly reconciliation session of the daily T&M records with the affected Company (ies) and the Contractor. If the Contractor and affected utility companies cannot reconcile their T&M records, by the last day of each month, then the Resident Engineer will submit the approved City's T&M records along with total cost evaluations to the DDC Director of Construction who will review these records and recommend approval and validity certification by the DDC Construction Assistant Commissioner.

a) Copies of the DDC approved and certified T&M records will then be transmitted by the DDC to the Contractor and the utility companies. These certified records may be used by the Contractor for compensation claims against the responsible private facility owners, or may be used by any party as supporting documentation in dispute regarding compensation for performing Interference Work as identified in Schedule U-2. The Contractor will be required to perform City work while invoices are submitted by the Contractor to the utility companies for payment within 30 days, or while compensation disputes between the Contractor and affected company (ies) are submitted to Binding Arbitration process described in Paragraph 10.

b) All issues related to utility work and/or delays due to compensation disputes or claims against utility companies are not allowable as justification for granting contract time extensions or delay claims against the City. The City may assess liquidated damages specified in the contract for net overall delays suffered by City contract work as a result of utility issues, disputes and claims.

c) The standard City contract dispute resolution process specified in Article 27 "Presentation of disputes to Commissioner", of the standard City contract agreement is not applicable to any disputes related to utility work and/or compensation for such work or claim against utility companies. Utility work issues, disputes and claims may only be submitted to Binding Arbitration process described in Paragraph 10.

d) The Contractor will notify the Resident Engineer when utility capital work not specified in Schedule U-2 and/or for utility work that require the intervention of company utility specialty crews causes excessive contractor's labor and equipment standby or idleness and, thereby jeopardizing the City project schedule. The Resident Engineer will submit the facts to the DDC Director of Construction who will recommend to the DDC Deputy Commissioner regarding the issuance of a "48 Hours' notice to Public Corporation" to the concerned utility company as authorized by the New York City Administrative Code Section 19-143 and/or Section 24-521 as applicable.

e) Utility delays caused by utility capital work not listed in Schedule U-2 and/or by unavailability of utility specialty crews cannot be discounted for earning any contractual bonus when such bonus clause is included in a contract. However, if such specified bonus is not earned or is disallowed by the City or if the City assesses specified liquidated damages as a result of such excessive delays, the Contractor may seek damages from the responsible utility company (ies).

7. Extra utility work with Interference Agreement:

If during construction the Contractor encounters utility facilities interferences or utility scope of work that it believes is not covered by the Interference Agreement as described above, then the Contractor shall immediately notify the Company in writing, with a copy to the City, describing the nature and location of the extra work in question. The Company then has five (5) business days to investigate the conditions and then:

- a) Advise the Contractor and the City in writing that no interference with its facilities exists at the location in question, and hence that the Contractor may proceed with City work without providing for any impact from Company facilities;
- b) Advise the Contractor and the City in writing that the Interference Agreement negotiated pursuant to Paragraph 6, above, provides for the scope of work encountered, specifying the exact unit items and/or terms of the agreement that cover the work;
- c) Advise the Contractor and the City in writing that it intends to perform the necessary utility work with company forces or with its own contractor including, but not limited to, relocating its facility out of the way of the proposed City work. In this case, the Company shall provide a written schedule for the performance of the utility work it proposes to perform, which shall be subject to approval by the City based on its impact to the Contractor's currently approved progress schedule. Upon approval of the Company's schedule by the City, the Contractor shall provide access to the worksite to the Company and/or any contractors hired by it to perform this utility work. If necessary, the City may grant a contract time extension for delays caused by the performance of such utility work by the company.
- d) Reasonably specify in writing the scope of work to be performed by the Contractor on behalf of the Company that is not covered under the Interference Agreement negotiated pursuant to Paragraph 6, including, but not limited to, relocating, supporting, and/or protecting the Company's facilities, and/or shifting the City facility if approved by the Resident Engineer, and/or otherwise changing its operations to work in the presence of the Company's facilities. Should the Company elect this option, it must adequately define and provide an initial price offer for the work required to be performed.

8. Means and Methods for utility work:

Upon receipt of the Company's determination pursuant to Paragraphs 7.b, or 7.d, above, the Contractor shall determine reasonable means and methods of performing the work defined by the Company. These means and methods are subject to approval of the Company, which shall not be unreasonably withheld. If, however, the Company objects to the Contractor's proposed means and methods then it shall define an alternate method of construction. Upon receipt of the Company's approval or its

proposed alternate method of construction, the Contractor shall commence performance of the work defined by the Company as soon as possible, and shall perform the work in a good, workmanlike, and efficient manner, using the means and methods approved by the Company, in order to permit the City work to proceed in the most expeditious manner possible, but without imposing unreasonable and/or unnecessary costs on the Company. It is expressly understood by all parties that the City's rights pursuant to Article 4 of the Contract apply to Utility Work performed pursuant to this Section.

9. Disputed utility work covered by an interference agreement:

The City Work will continue as described in Paragraph 6 above. In the event of any dispute between the Company (ies) and the Contractor regarding any issue related to the performance of, or payment for, utility work, including, but not limited to, any indirect or impact costs incurred by the Contractor due to the Utility Work and/or to the existence of facilities owned or operated by the Company (ies) on the line of the work. The Company (ies) and the Contractor hereby agree to submit to each other a "Final Offer," in writing, by certified mail. Each party shall then have three business days to consider each other's Final Offer. In the event that neither party accepts the other's Final Offer within those three days, the Company (ies) and the Contractor agree to immediately submit the dispute to binding arbitration as described in Paragraph 10. During the pendency of any arbitration, the Company (ies) and the Contractor shall maintain separate records of the actual quantity and cost of labor, materials, and equipment expended, and to provide copies of this information to the other party on a daily basis for reconciliation. Any and all disagreement with the records maintained and provided by the other, must be documented in writing to all parties. However, these records are solely for the benefit of presentation to the arbitrator, whose decision may not necessarily be based on these records and in any event is final. Both parties should be aware that the City will not confirm or deny the accuracy of any records that is not certified by DDC. While the arbitration is pending, the Company shall pay the Contractor on a monthly basis, based on the price offered by the Company to the Contractor for the performance of the work.

10. Arbitration of utility work:

The arbitration of the issues described above shall be conducted pursuant to the Construction Industry Arbitration Rules of the American Arbitration Association (hereinafter "the Rules" and "AAA") in effect on the date the arbitration is initiated except as set forth herein. The arbitration award shall be final and binding upon the parties to the arbitration and judgment upon the award may be entered in a court having jurisdiction.

- a) Once an arbitrator(s) has been appointed by the AAA, the arbitration shall be scheduled as promptly as possible given the arbitrator(s) and the parties' schedules.

- b) No later than seven days prior to the first arbitration hearing, Company and the Contractor shall submit to the arbitrator(s), and to each other, a summary of each party's respective position and such other information as is deemed appropriate, along with a copy of each party's Final Offer as specified in Paragraph 9.
- c) The arbitration shall be conducted and concluded in two days.
- d) On the morning of the first day of the arbitration, the Contractor and/or representatives shall have 3 ½ hrs to make a presentation of its claim to the arbitrator. During its presentation, the Contractor shall not be permitted to produce any documents or cost records which have not already been provided to the Company. The Contractor shall be permitted to produce any analysis or description of its claim which has been prepared for the purpose of its presentation.
- e) Company and/or its representatives shall have two hours to ask the Contractor questions about its claim and its presentation. Thereafter the arbitrator(s) shall have two hours to ask the Contractor questions about its claim and its presentation.
- f) On the morning of the second day of the arbitration, Company and/or its representatives shall have 3 ½ hours to make a presentation of its claim to the arbitrator. During its presentation, the Company shall not be permitted to produce any documents or cost records which have not already been provided to the Contractor. The Company shall be permitted to produce any analysis or description of its claim which has been prepared for the purpose of its presentation.
- g) The Contractor and/or its representatives shall have two hours to ask Company questions about its claim and its presentation. Thereafter the arbitrator(s) shall have two hours to ask Company questions about its claim and its presentation.
- h) Subject to the above time limitations, the arbitrator(s) may conduct the arbitration in such manner as the arbitrator(s) deems reasonable.
- i) The arbitrator(s) shall then have one week to select in writing, as the arbitrator (s) award, that party's Final Offer which appears to be more reasonable, based on the presentations at the arbitration hearings.
- j) The arbitrator shall have no discretion to grant an award other than one of the two Final Offers submitted by the parties.
- k) Any award for work that has already been performed shall be paid on the 7th day after receipt of the arbitrator's decision, or on the 30th day after completion of the work, whichever is later. Payment for work not yet completed at the time of the arbitrator's decision shall be paid within 30 days of completion of work. Interest shall accrue from the date payment is due at the rate of 9% per annum. Either

party may cause judgment to be entered in accordance with the arbitrator(s) decision in a court in the State of New York, County of New York.

l) The arbitrator's fees and any other costs of the arbitration shall be initially shared equally by Company and the Contractor. The non-prevailing party shall then pay all arbitrator's fees and costs of the arbitration and shall reimburse the prevailing party for its share of such fees and costs theretofore paid.

m) The parties may, at any time, settle any matter submitted to arbitration.

11. Order-out waiver:

The Contractor and all subcontractors hired by it, if an Interference Agreement is executed as specified between the concerned parties, agree to waive any rights they may have, if any, under law, contract or otherwise to compel the City to assert any right the City may have, including the issuance of any directives required under the New York City Administrative Code, Section 19-143 and Section 24-521, to require any or all of the Companies to maintain, repair, replace, protect, support, shift, alter, relocate, and/or remove utility facilities in connection with the work to be performed under this contract. However, nothing in this Section shall preclude the City from exercising its rights under the Law to issue such a directive to the Company.

12. Cost of insurance:

Each of the named Companies, at their option and if an Interference Agreement is executed as specified between the concerned parties, may be named as an additional insured on all insurance policies required to be maintained under this contract. In the event that a Company opts to be so named as an additional insured, the actual incremental cost, if any, to the Contractor of providing such insurance coverage shall be borne by that Company. The Contractor shall provide a written statement from its insurance provider documenting the actual cost of this added coverage to the Company. Under no circumstances shall the cost of insurance coverage on behalf of any Company be borne by the City. Nothing in this paragraph shall be interpreted to imply the City's acceptance of any additional responsibility or liability for any matter related to the performance of Utility Work. In particular, the Company and the Contractor bear joint and full responsibility to ensure that any Utility Work performed by the Contractor is in compliance with all applicable government and Company regulations.

13. Cost of utility interference work:

The Companies, by virtue of participating in design alignment meetings and submitting their scope of Utility Interferences Work to the City, have agreed to perform their obligations described in this Section. It is expressly understood that the cost of Utility Work or any delays caused by such Utility Work shall not be a charge against the City, but shall be a matter for adjustment between the Contractor and the Company or Companies concerned. The City and the Contractor agree that the Companies are

third party beneficiaries of this Section of the contract, if an Interference Agreement is executed between the Contractor and utility company (ies). The provisions of this Section shall govern in all cases where Company property interferes with or is about to be disturbed by the City work, notwithstanding any other provision of the Contract, except for Natural Gas transmission/distribution facilities covered subject to the Gas Facility Cost Allocation Act (GFCAA) and covered separately in this contract.

14. Default declaration:

The Contractor agrees that the provisions of this Section are material provisions of the contract, and that the Contractor's failure to comply with the procedures set forth above are sufficient for the Commissioner to declare the Contractor in default pursuant to Article 48 of the Contract.

15. NYS Labor Law:

The Contractor is hereby advised that New York State Labor Law and/or, Davis-Bacon Act if federally funded, applies to public work. The work described in this Utility Interferences Section of the contract performed by utility company (ies) with their own forces or vendors hired by such company (ies) is not public work.

16. Facility operators:

The insurance requirements in Paragraph 12 of this UI Section apply to: (i) additional Companies, if any, who were not named in Schedule "A" but which have executed an Interference Agreement with the Contractor for utility work; and (ii) additional coverage, if any, paid for by Utility Companies whose utility facilities are located within the project limits; that they may require for the utility work pursuant to an Interference Agreement between the Contractor and such utility company (ies).

(End of Section)

PROJECT ID: SEQ-200490

"STANDARD UTILITY LETTER OF AGREEMENT"

(Name)
Deputy Commissioner, Infrastructure Division
Department of Design and Construction
30-30 Thomson Avenue
Long Island City, NY 11101

RE: City Work Performed in the Presence of Private Utility Facilities
Project No: _____

Dear (Name):

This letter is to certify that _____, has requested the inclusion of the attached "Utility Interferences (UI) Section: Additional contract requirements applying to work performed in the presence of privately owned utility." The company agrees to abide by the terms of this UI Section at the company's own expenses due to their facilities interferences with the Public work.

Sincerely,

By: Authorized Company Representative

Title

NOTARY PUBLIC

CERTIFIED AS TO FORM
AND LEGAL AUTHORITY:

By: _____

SCHEDULE U-1

LISTING OF COMPANY (IES) NAMED FOR THIS CONTRACT

<u>COMPANY NAME</u>	<u>CONTACT NAME</u>	<u>CONTACT TELEPHONE</u>
CON EDISON	THERESA KONG	212-460-4834
VERIZON	AUBREY MAKHANLLAL	718-977-8165
TIME WARNER	JOHN PIAZZA	718-888-4261

PROJECT ID: SEQ-200490

SCHEDULE U-2

SCHEDULE U-2

FOR INFORMATION ONLY

ENGINEER'S ESTIMATE OF QUANTITY AND TYPES OF INTERFERENCE
FOR CONSOLIDATED EDISON

SEQ-200490

CONSTRUCTION OF STORM SEWER IN 95TH ST. BETWEEN 160 AVENUE AND 162 AVENUE, ETC.

CET ITEM	DESCRIPTION	UNITS	ESTIMATED QUANTITY
CET 101.1	UTILITIES CROSSING TRENCH FOR SEWERS UP TO AND INCL. 24" DIAMETER (TYPE .1)	EA	3
CET 103.1	UTILITIES CROSSING TRENCH FOR SEWERS OVER 26" TO 48" DIAMETER (TYPE .1)	EA	4
CET 105.1	UTILITIES CROSSING TRENCH FOR SEWERS OVER 54" TO 60" DIAMETER (TYPE .1)	EA	1
CET 106.1	UTILITIES CROSSING TRENCH FOR WATERMAIN UP TO AND INCL. 12" DIAMETER (TYPE .1)	EA	6
CET 350	OVERHEAD ACCOMMODATION, PROTECTION OF OVERHEAD FACILITIES AND APPURTENANCES	LS	1
CET 351	INSTALL AND REMOVE "A" FRAME ON UTILITY POLES	EA	4
CET 353E	SPECIAL CARE OPERATION - TREE PRUNING	EA	1
CET 400	TEST PITS FOR UTILITY FACILITIES	CY	5
CET 450.1	CONSTRUCTION FIELD SUPPORT REQUIRING AVERAGE SIZE SURVEY CREW PERFORMING TYPICAL SURVEY FUNCTIONS (TYPE .1)	CRHRS	1
CET 450.2	CONSTRUCTION FIELD SUPPORT REQUIRING AVERAGE SMALL SIZE CREW CAPABLE OF PERFORMING VARIOUS TASKS (TYPE .2)	CRHRS	1
CET 450.3	CONSTRUCTION FIELD SUPPORT REQUIRING AVERAGE MEDIUM SIZE CREW CAPABLE OF PERFORMING VARIOUS TASKS (TYPE .3)	CRHRS	1

**CON EDISON SCOPE OF WORK
SUPPORT AND PROTECTION
SEQ-200490
CONSTRUCTION OF STORM SEWER IN 95TH ST. BETWEEN 160 AVENUE AND 162
AVENUE, ETC.**

CET 101.1	UTILITIES CROSSING TRENCH FOR SEWERS UP TO AND INCL. 14" DIAMETER (TYPE 1) <i>At the following locations:</i> N/S Int. of 96 St. and 162 Ave. N/S Int. of 96 St. and 161 Ave. N/S Int. of 97 St. and 162 Ave. Total Quantity for CET 101.1 = 3	EA
CET 103.1	UTILITIES CROSSING TRENCH FOR SEWERS OVER 36" TO 48" DIAMETER (TYPE 1) <i>At the following locations:</i> E/S Int. of 162 Ave. and 95 St. F/O House #161-02 On The W/S of 95 St., B/W 162 Ave. and 161 Ave. E/S Int. of 161 Ave. and 95 St. F/O House #96-11 On The N/S of 162 Ave. B/W 97 St. and 96 St. Total Quantity for CET 103.1 = 4	EA
CET 105.1	UTILITIES CROSSING TRENCH FOR SEWERS OVER 54" TO 60" DIAMETER (TYPE 1) <i>At the following locations:</i> W/S Int. of 95 St. and 162 Ave. Total Quantity for CET 105.1 = 1	EA
CET 108.1	UTILITIES CROSSING TRENCH FOR WATERMAIN UP TO AND INCL. 12" DIAMETER (TYPE 1) <i>At the following locations:</i> E/S Int. of 162 Ave. and 95 St. Opp. House #161-02 On The E/S of 95 St., B/W 162 Ave. and 161 Ave. N/S Int. of 96 St. and 162 Ave. N/S Int. of 96 St. and 161 Ave. N/S Int. of 97 St. and 162 Ave. F/O House #96-11 On The N/S of 162 Ave. B/W 97 St. and 96 St. Total Quantity for CET 108.1 = 6	EA
CET 350	OVERHEAD ACCOMMODATION, PROTECTION OF OVERHEAD FACILITIES AND APPURTENANCES <i>At the following locations:</i> Various Locations AS SHOWN ON CONTRACT DOCUMENTS Total Quantity for CET 350 = 1	LS

CON EDISON SCOPE OF WORK
SUPPORT AND PROTECTION
SEQ-200490
CONSTRUCTION OF STORM SEWER IN 95TH ST, BETWEEN 160 AVENUE AND 162
AVENUE, ETC.

CET 351	INSTALL AND REMOVE "A" FRAME ON UTILITY POLES <i>At the following locations:</i> N/E/C of 95 St. and 162 St. W/S 95 St., 31' N/W/C of 161 Ave. F/O House #161-37 On The E/S of 96 St., B/W 162 Ave. and 161 Ave. N/W/C of 96 St. and 161 Ave. Total Quantity for CET 351 = 4	EA
CET 353E	SPECIAL CARE OPERATION - TREE PRUNING <i>At the following locations:</i> Various Locations AS SHOWN ON CONTRACT DOCUMENTS Total Quantity for CET 353E = 1	EA
CET 400	TEST PITS FOR UTILITY FACILITIES <i>At the following locations:</i> Various Locations AS SHOWN ON CONTRACT DOCUMENTS Total Quantity for CET 400 = 5	CY
CET 450.1	CONSTRUCTION FIELD SUPPORT REQUIRING AVERAGE SIZE SURVEY CREW PERFORMING TYPICAL SURVEY FUNCTIONS (TYPE 1) <i>At the following locations:</i> Various Locations AS SHOWN ON CONTRACT DOCUMENTS Total Quantity for CET 450.1 = 1	CRHRS
CET 450.2	CONSTRUCTION FIELD SUPPORT REQUIRING AVERAGE SMALL SIZE CREW CAPABLE OF PERFORMING VARIOUS TASKS (TYPE 2) <i>At the following locations:</i> Various Locations AS SHOWN ON CONTRACT DOCUMENTS Total Quantity for CET 450.2 = 1	CRHRS

**CON EDISON SCOPE OF WORK
SUPPORT AND PROTECTION
SEQ-200490
CONSTRUCTION OF STORM SEWER IN 95TH ST. BETWEEN 160 AVENUE AND 162
AVENUE, ETC.**

CET 450.3 CONSTRUCTION FIELD SUPPORT REQUIRING AVERAGE MEDIUM SIZE CREW CAPABLE OF PERFORMING VARIOUS TASKS (TYPE J) CRHRS

At the following locations:

Various Locations

AS SHOWN ON CONTRACT DOCUMENTS

Total Quantity for CET 450.3 = 1

00000

00000

PROJECT ID: SEQ-200490

**FOR INFORMATION ONLY
ENGINEER'S ESTIMATE OF QUANTITIES AND TYPES OF INTERFERENCE
TIME WARNER CABLE OF NEW YORK CITY
SEQ200490
95th Street, etc.
Borough of Queens**

CET ITEM	DESCRIPTION	UNITS	ESTIMATED QUANTITY
350	OVERHEAD ACCOMMODATION, PROTECTION OF OVERHEAD FACILITIES, POLES & APPURTENANCES	LS	1

TIME WARNER CABLE
SUPPORT & PROTECTION
SEQ200490
95th Street, etc.
Borough of Queens

CET 350	OVERHEAD ACCOMMODATION, PROTECTION OF OVERHEAD FACILITIES, POLES & APPURTENANCES At the following locations: AS ENCOUNTERED	LS
		1
	Total quantity for CET 350	1

VERIZON CET SCOPE OF WORK
SUPPORT & PROTECTION
SEQ200490 - CONSTRUCTION OF STORM SEWER IN
45TH STREET (162ND AVENUE FROM 45TH STREET AND 47TH STREET)
BOROUGH OF QUEENS

CET 39	OVERHEAD ACCOMMODATION, PROTECTION OF OH FACILITIES & APPURTENANCES	L.S.
	At the following locations:	
	AS ENCOUNTERED OR DIRECTED BY VERIZON FIELD REPRESENTATIVE	1.00
Total quantity for	CET 39 =	1.00

UTILITY INTERFERENCES (UI) SECTION WORKSHEET
SEQ200490 - CONSTRUCTION OF STORM SEWER IN
95TH STREET (162ND AVENUE FROM 95TH STREET AND 97TH STREET)
FOR INFORMATION ONLY
ENGINEER'S ESTIMATE OF QUANTITY AND TYPES OF INTERFERENCE
FOR VERIZON
BOROUGH OF QUEENS

CET ITEM NUMBER	DESCRIPTION	Unit of Measure	Estimated Quantity
CET 350	OVERHEAD ACCOMMODATION, PROTECTION OF OH FACILITIES & APPURTENANCES	L.S.	1.00

PROJECT ID: SEQ-200490

SCHEDULE U-3

(NO TEXT IN THIS SECTION)



**Department of
Design and
Construction**

**INFRASTRUCTURE DIVISION
BUREAU OF DESIGN**

VOLUME 3 OF 3

PROJECT ID: SEQ200490

CONSTRUCTION OF STORM SEWER AND WATER MAIN IN
95TH STREET
BETWEEN 160TH AVE. AND 162ND AVE., ETC.

Together With All Work Incidental Thereto
BOROUGH OF QUEENS
CITY OF NEW YORK

Contractor

Dated _____, 20____
